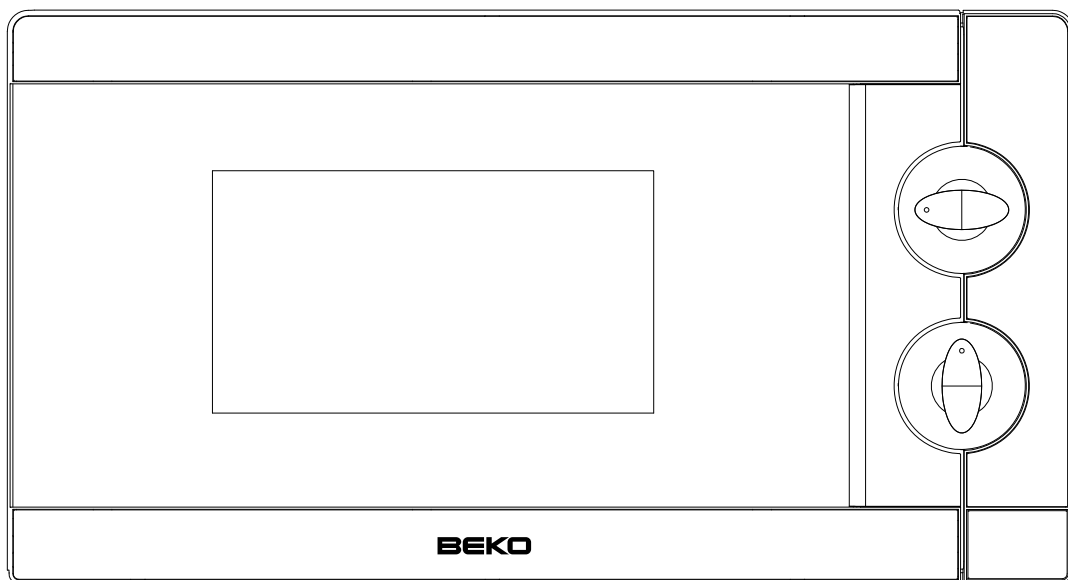


BEKO

20 Litre Manual Microwave Owner's Instruction Manual

MWC 2010 MX

Read the Instructions carefully and Keep for Future Reference



CE

IMPORTANT SAFETY INSTRUCTIONS
READ CAREFULLY AND KEEP FOR FUTURE REFERENCE

- **WARNING:** when the appliance is operated in the combination mode, children should only use the oven under adult supervision due to the temperatures generated;
- **WARNING:** if the door or door seals are damaged, the oven must not be operated until it has been repaired by a competent person;
- **WARNING:** it is hazardous for anyone other than a competent person to carry out any service or repair operation that involves the removal of a cover which gives protection against exposure to microwave energy;
- **WARNING:** liquids and other foods must not be heated in sealed containers since they are liable to explode
- **WARNING:** Only allow children to use the oven without supervision when adequate instructions have been given so that the child is able to use the oven in a safe way and understands the hazards of improper use;
- only use utensils that are suitable for use in microwave ovens
- when heating food in plastic or paper containers, keep an eye on the oven due to the possibility of ignition;
- if smoke is observed, switch off or unplug the appliance and keep the door closed in order to stifle any flames;
- microwave heating of beverages can result in delayed eruptive boiling, therefore care must be taken when handling the container;
- the contents of feeding bottles and baby food jars shall be stirred or shaken and the temperature checked before consumption, in order to avoid burns;
- eggs in their shell and whole hard-boiled eggs should not be heated in microwave ovens since they may explode, even after microwave heating has ended;

- the oven should be cleaned regularly and any food deposits removed;
- failure to maintain the oven in a clean condition could lead to deterioration of the surface that could adversely affect the life of the appliance and possibly result in a hazardous situation;

- if the supply cord is damaged, it must be replaced by the manufacturer, its service agent or similarly qualified persons in order to avoid a hazard.

- The temperature of accessible surfaces may be high when the appliance is operating.

SPECIFICATIONS

Power consumption:	230V~50Hz, 1080W
Output:	700W
Grill heater:	800W
Operating Frequency:	2,450MHz
Outside Dimensions:	454mm(W) X 330mm(D) X 262mm(H)
Oven Cavity Dimensions:	315mm(W) X 296mm(D) X 211mm(H)
Oven Capacity:	20 litres
Uncrated Weight:	Approx. 10.5kg

BEFORE YOU CALL FOR SERVICE

1. If the oven will not perform at all, the display does not appear or the display disappears:
 - a) Check to ensure that the oven is plugged in securely. If it is not, remove the plug from the outlet, wait 10 seconds and plug it in again securely.
 - b) Check the premises for a blown circuit fuse or a tripped main circuit breaker. If these seem to be operating properly, test the outlet with another appliance.
2. If the microwave power does not function:
 - a) Check to see whether the timer is set.
 - b) Check to make sure that the door is securely closed to engage the safety interlocks. Otherwise, the microwave energy will not flow into the oven.

IF NONE OF THE ABOVE RECTIFIES THE SITUATION, THEN CONTACT THE AUTHORIZED SERVICE AGENT.

Note:

The appliance is for household use for heating food and beverages using electromagnetic energy and for indoor use only.

RADIO INTERFERENCE

Microwave oven may cause interference to your radio, TV, or similar equipment. When interference occurs, it may be eliminated or reduced by the following procedures.

- a. Clean the door and sealing surface of the oven.
- b. Place the radio, TV, etc. as far away from your microwave oven as possible.
- c. Use a properly installed antenna for your radio, TV, etc. to get a strong signal reception.

INSTALLATION

1. Make sure all the packing materials are removed from the inside of the door.
2. Inspect the oven after unpacking for any visual damage such as:
 - Misaligned Door
 - Damaged Door
 - Dents or Holes in Door Window and Screen
 - Dents in CavityIf any of the above are visible, DO NOT use the oven.
3. This Microwave Oven weighs 10.5 kg and must be placed on a horizontal surface strong enough to support this weight.
4. The oven must be placed away from high temperature and steam.
5. DO NOT place anything on top of the oven.
6. Keep the oven at least 8 cm away from both sidewalls and 10 cm away from rear wall to ensure the correct ventilation.
7. DO NOT remove the turn -table drive shaft.
8. As with any appliance, close supervision is necessary when used by children.

WARNING-THIS APPLIANCE MUST BE EARTHED.

1. The plug socket should be within easy reach of the power cord
2. This oven requires 1.2 KVA for its input. Consultation with service engineer is suggested when installing the oven.

CAUTION: This oven is protected internally by ac 250V, 8 Amp Fuse.

IMPORTANT

The wires in this mains lead are coloured in accordance with the following code:

Green-and-yellow	: Earth
Blue	: Neutral
Brown	: Live

As the colours of the wires in the mains leads of the appliance may not correspond with the coloured markings identifying the terminals in your plug, proceed as follows:

The wire which is coloured green-and-yellow must be connected to the terminal in the plug which is marked with the letter E or by the earth symbol \perp coloured green of green-and-yellow.

The wire which is coloured blue must be connected to the terminal which is marked with the letter N or coloured black.

The wire which is coloured brown must be connected to the terminal which is marked with the letter L or coloured red.

IMPORTANT SAFETY INSTRUCTIONS

- WARNING: When the appliance is operated in the combination mode, children should only use the oven under adult supervision due to the temperatures generated; (Only for the model with grill function)
- WARNING: If the door or door seals are damaged, the oven must not be operated until it has been repaired by a competent person;
- WARNING: It is hazardous for anyone other than a competent person to carry out any service or repair operation that involves the removal of a cover which gives protection against exposure to microwave energy;
- WARNING: liquids and other foods must not be heated in sealed containers since they are liable to explode.
- WARNING: Only allow children to use the oven without supervision when adequate instructions have been given so that the child is able to use the oven in a safe way and understands the hazards of improper use;
- The oven must have sufficient air flow.Keep 10 cm space at back;15 cm at both sides and 30cms from top of the oven.Don't remove oven's feet, do not block air events of the oven.
- Only use utensils that are suitable for use in microwave ovens.
- When heating food in plastic or paper containers, keep an eye on the oven due to the possibility of ignition;
- If smoke is observed, switch off or unplug the appliance and keep the door closed in order to stifle any flames;
- Microwave heating of beverages can result in delayed eruptive boiling, therefore care must be taken when handling the container;
- The contents of feeding bottles and baby food jars shall be stirred or shaken and the temperature checked before consumption, in order to avoid burns;
- Eggs in their shell and whole hard-boiled eggs should not be heated in microwave ovens since they may explode, even after microwave heating has ended;
- When cleaning surfaces of door, door seal, cavity of the oven, use only mild, nonabrasive soaps, or detergents applied with a sponge or soft cloth.
- The oven should be cleaned regularly and any food deposits removed;
- Failure to maintain the oven in a clean condition could lead to deterioration of the surface that could adversely affect the life of the appliance and possibly result in a hazardous situation;
- If the supply cord is damaged, it must be replaced by the manufacturer, its service agent or similarly qualified persons in order to avoid a hazard.

SAFETY INSTRUCTIONS FOR GENERAL USE

Listed below are, as with all appliances, certain rules to follow and safeguards to assure top performance from this oven:

1. Always have the glass tray, roller arms, coupling and roller track in place when operating the oven.
2. Do not use the oven for any reason other than food preparation, such as for drying clothes, paper, or any other nonfood items, or for sterilizing purposes.
3. Do not operate the oven when empty. This could damage the oven.
4. Do not use the oven cavity for any type of storage,such a papers, cookbooks, etc.
- 5.Do not cook any food surrounded by a membrane,such as egg yolks,potatoes,chicken livers,etc without first being pierced several times with a fork.

6. Do not insert any object into the openings on the outer case.
7. Do not at any time remove parts from the oven such as the feet, coupling, screws, etc.

8. Do not cook food directly on the glass tray. Place food in/on proper cooking utensil before placing in the oven.

9. IMPORTANT-COOKWARE NOT TO USE IN YOUR MICROWAVE OVEN

Do not use metal pans or dishes with metal handles.

Do not use anything with metal trim.

Do not use paper covered wire twist-ties on plastic bags.

Do not use melamine dishes as they contain a material which will absorb microwave energy. This may cause the dishes to crack or char and will slow down the cooking speed.

Do not use Centura Tableware. The glaze is not suitable for microwave use. Corelle Livingware closed handle cups should not be used.

Do not cook in a container with a restricted opening, such as a pop bottle or salad oil bottle, as they may explode if heated in a microwave oven.

Do not use conventional meat or candy thermometers. There are the thermometers available specifically for microwave cooking. These may be used.

10. Microwave utensils should be used only in accordance with manufacturer's instructions.
11. Do not attempt to deep-fry foods in this oven.
12. Please remember that a microwave oven only heats the liquid in a container rather than the container itself. Therefore, even though the lid of a container is not hot to the touch when

removed from the oven, please remember that the food/liquid inside will be releasing the same amount of steam and/or spitting when the lid is removed as in conventional cooking.

13. Always test the temperature of cooked food yourself especially if you are heating or cooking food/liquid for babies. It is advisable never to consume food/liquid straight from the oven but allow it to stand for a few minutes and stir food/liquid to distribute heat evenly.

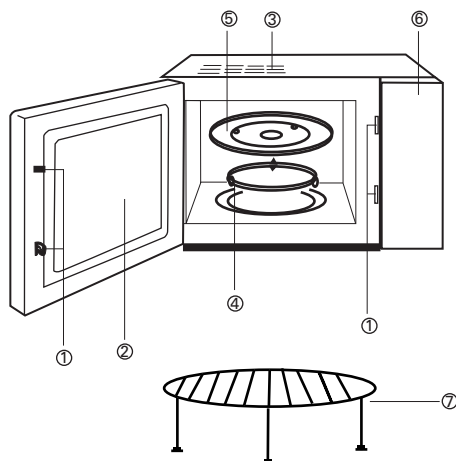
14. Food containing a mixture of fat and water, e.g. stock, should stand for 30-60 seconds in the oven after it has been turned off. This is to allow the mixture to settle and to prevent bubbling when a spoon is placed in the food/liquid or a stock cube is added.

15. When preparing/cooking food/liquid and remember that there are certain foods, e.g. Christmas puddings, jam and mincemeat, which heat up very quickly. When heating or cooking foods with a high fat or sugar content do not use plastic containers.

16. Cooking utensil may become hot because of heat transferred from the heated food. This is especially true if plastic wrap has been covering the top and handles of the utensil. Potholders may be needed to handle the utensil.

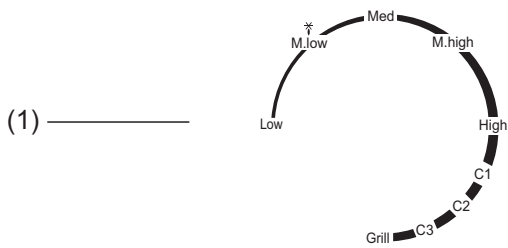
17. To reduce the risk of fire in the oven cavity:
 - (a) Do not overcook food. Carefully attend microwave oven if paper, plastic, or other combustible materials are placed inside the oven to facilitate cooking.
 - (b) Remove wire twist-ties from bags before placing bag in oven.
 - (c) If materials inside the oven should ignite, keep oven door closed, turn the oven off at the wall switch, or shut off power at the fuse or circuit breaker panel.

FEATURE DIAGRAM



- (1) Door Safety Lock System
- (2) Oven Window
- (3) Oven Air Vent
- (4) Roller Ring
- (5) Glass Tray
- (6) Control Panel
- (7) Grill rack

CONTROL PANEL



(1) Power Select Control
(2) Timer-0-30 Minutes

Low: 17% Power Output

M.Low: 33% Power Output

Med: 55% Power Output

M.High: 77% Power Output

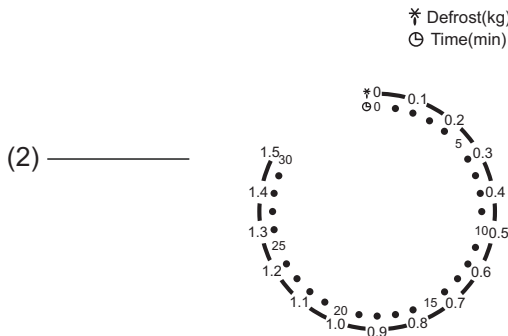
High: 100% Power Output

C1: 17% Power Output+83% Grill Power Output

C2: 28% Power Output+72% Grill Power Output

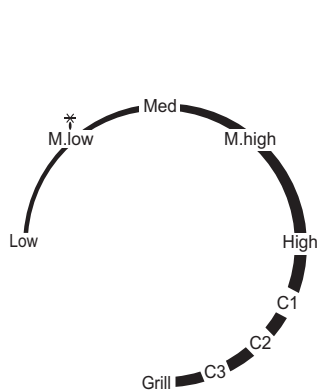
C3: 40% Power Output+60% Grill Power Output

Grill: 100% Grill Power Output

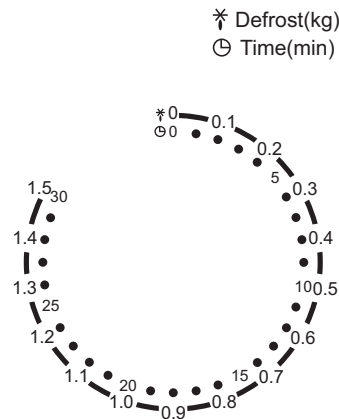


Operation Instruction

To set a cooking program: Put the food onto the glass turntable in the oven and close the door.



Turn Power Control knob to correct required power level.



Select correct cooking time by using timer.

Note: Oven will start cooking food once the timer is turned.

If you need cooking time for less than 5 minutes, turn timer past 5 minutes and then return to correct timing.

ALWAYS RETURN TIMER BACK TO ZERO position when food is removed from oven but the set cooking time has not completed.

STOP OVEN: Turn timer to Zero position. If the door of oven is opened during cooking, the microwave oven will automatically stop working, the cooking will continue after closing the door. If the remaining cooking time is not required, return timer back to Zero position before closing the door.

CARE OF YOUR MICROWAVE OVEN

1. Turn the oven off and remove the power plug from the wall socket before cleaning.
2. Keep the inside of the oven clean. When food splatters or spilled liquids adhere to oven walls, wipe with a damp cloth.
The use of harsh detergent or abrasives is not recommended.
3. The outside oven surface should be cleaned with a damp cloth. To prevent damage to the operating parts inside the oven, water should not be allowed to seep into the ventilation openings.
4. Do not allow the Control Panel to become wet.
Clean with a soft, damp cloth, Do not use detergents, abrasives or spray-on cleaners on the control Panel.
5. If steam accumulates inside or around the outside of the oven door, wipe with a soft cloth. This may occur when the microwave oven is operated under high humidity conditions and in no way indicates malfunction of the unit.
6. It is occasionally necessary to remove the glass tray for cleaning. Wash the tray in warm sudsy water or in a dishwasher.
7. The roller ring and oven cavity floor should be cleaned regularly to avoid excessive noise. Simply wipe the bottom surface of the oven with mild detergent, water or window cleaner and dry. The roller ring may be washed in mild sudsy water or dish washer. Cooking vapour collect during repeated use but in no way affect the bottom surface or roller ring wheels. When removing the roller ring from cavity floor for cleaning, be sure to replace it in the proper position.
8. Remove odors from your oven by combining a cup of water with the juice and skin of one lemon in a deep microwaveable bowl. Microwave for 5 minutes, wipe thoroughly and dry with a soft cloth.
9. When it becomes necessary to replace the oven light, please consult a dealer to have it replaced.

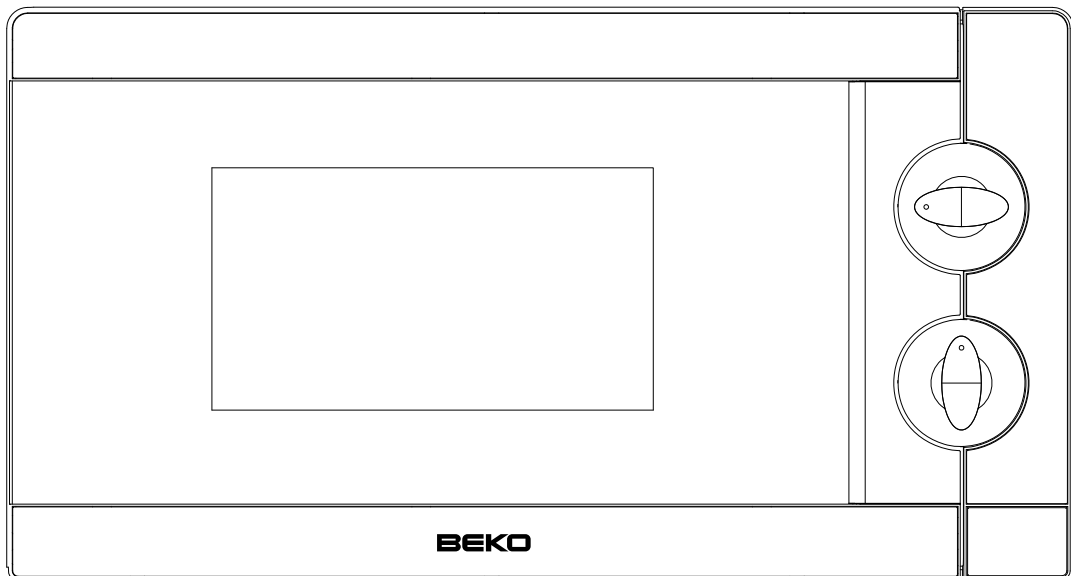
BEKO

Микроволновая печь с ручным
управлением, 20 литров

Руководство пользователя
по эксплуатации

MWC 2010 MX

Внимательно прочтите руководство и сохраните для
последующего использования в справочных целях.



CE

ВАЖНЫЕ УКАЗАНИЯ ПО ТЕХНИКЕ БЕЗОПАСНОСТИ. ВНИМАТЕЛЬНО ПРОЧТИТЕ И СОХРАНИТЕ ДЛЯ ПОСЛЕДУЮЩЕГО ИСПОЛЬЗОВАНИЯ В СПРАВОЧНЫХ ЦЕЛЯХ.

- **ВНИМАНИЕ!** Когда печь работает в комбинированном режиме, дети должны пользоваться печью только под присмотром взрослых из-за высокой температуры.
- **ВНИМАНИЕ!** В случае повреждения дверцы или ее уплотнений, включение печи недопустимо до тех пор, пока не будет произведен ее ремонт компетентным специалистом.
- **ВНИМАНИЕ!** Выполнение кем-либо, помимо обученного персонала, ремонта, требующего снятия кожухов защиты от микроволнового излучения, опасно.
- **ВНИМАНИЕ!** Жидкости и иные пищевые продукты не следует разогревать в герметичных емкостях, поскольку они могут взорваться.
- **ВНИМАНИЕ!** Разрешайте детям пользоваться печью только под наблюдением взрослых, после проведения соответствующего инструктажа, если ребенок способен ею пользоваться и осознает опасность несчастных случаев вследствие ненадлежащей эксплуатации.
- Пользуйтесь только посудой, пригодной для использования в микроволновых печах.
- При разогреве продуктов в пластмассовых или бумажных контейнерах, постоянно наблюдайте за печью в связи с возможностью воспламенения.
- При обнаружении дыма выключите печь или выньте вилку из розетки и оставьте дверцу закрытой для тушения пламени.
- Разогревание в микроволновой печи напитков может привести к задержанному во времени вскипанию, поэтому следует соблюдать осторожность при обращении с емкостями.
- Во избежание ожогов, бутылочки и баночки с детским питанием перед употреблением в пищу следует встряхнуть или перемешать содержимое, а также проверить температуру.
- Яйца в скорлупе и сваренные вкрутую не следует разогревать в микроволновой печи, так как они могут взорваться даже после окончания разогрева с помощью микроволн.
- Печь следует регулярно чистить и удалять остатки пищи.
- Невыполнение требований по поддержанию печи в чистоте может привести к повреждению поверхности, что может отрицательно повлиять на срок службы электроприбора и создать опасную ситуацию.
- Во избежание несчастных случаев при повреждении шнура питания, его замену должен осуществлять производитель, его представитель по сервису или лицо, имеющее аналогичную квалификацию.
- Во время работы изделия температура его поверхностей может быть высокой.

ТЕХНИЧЕСКИЕ ХАРАКТЕРИСТИКИ

Потребляемая мощность:	230 В ~ 50 Гц, 1080 Вт
Выходная мощность:	700 Вт
Нагреватель гриля:	800 Вт
Рабочая частота:	2,450 МГц
Габариты:	454 мм (Ш) X 330 мм (Г) X 262 мм (В)
Размеры внутренней части печи:	315 мм (Ш) X 296 мм (Г) X 211 мм (В)
Внутренний объем печи:	20 литра
Вес без упаковки:	приблизительно 10,5 кг

ПРЕЖДЕ, ЧЕМ ОБРАТИТЬСЯ В СЛУЖБУ СЕРВИСА

1. Если печь не работает, дисплей не появляется или дисплей исчез:

- а) Проверьте надежность подсоединения печи к сети электропитания. Если причина не в этом, выньте вилку из розетки, подождите 10 секунд и вставьте ее обратно.
- б) Проверьте, не произошло ли перегорание плавкого предохранителя или размыкание сетевого автомата. Если в их работе не замечено неполадок, проверьте розетку, включив в нее другой электроприбор.

2. Если микроволновая мощность не функционирует:

- а) Проверьте, не включен ли таймер.
- б) Проверьте, надежно ли закрыта дверца с включением системы защитной фиксации дверцы. В противном случае энергия микроволн не будет распространяться в печи.

ЕСЛИ С ПОМОЩЬЮ УКАЗАННЫХ ДЕЙСТВИЙ ИСПРАВИТЬ ПОЛОЖЕНИЕ НЕ УДАЕТСЯ, ОБРАТИТЕСЬ К БЛИЖАЙШЕМУ ПРЕДСТАВИТЕЛЮ АВТОРИЗОВАННОЙ СЕРВИСНОЙ СЛУЖБЫ.

Примечание:

Печь предназначена для бытового использования с целью разогрева пищи и напитков с использованием энергии электромагнитного излучения, и только для использования в помещениях.

ЭЛЕКТРОМАГНИТНЫЕ ПОМЕХИ

При эксплуатации микроволновой печи могут создаваться помехи для вашего радиоприемника, телевизора и иных подобных устройств. При наличии помех, их можно снизить или устранить путем принятия следующих мер:

- а) Очистите дверцу и поверхности уплотнения дверцы печи.
- б) Установите радиоприемник, телевизор и т.п. как можно дальше от микроволновой печи.
- в) Для обеспечения надежного приема сигнала используйте правильно установленную антенну для радиоприемника, телевизора и т.п.

Установка

1. Убедитесь, что из внутренней полости удалены все упаковочные материалы.
2. После распаковки осмотрите печь на предмет визуального обнаружения следующих повреждений:
 - Смещенная дверца
 - Поврежденная дверца
 - Вмятины или отверстия в окне дверцы и в экране
 - Вмятины внутренней полостиНЕ ПОЛЬЗУЙТЕСЬ печью, если видны вышеуказанные повреждения.
3. Данная микроволновая печь весит 10,5 кг. Ее следует устанавливать на горизонтальную поверхность достаточной прочности, способную выдерживать такой вес.
4. Печь следует устанавливать на удалении от источников тепла и пара.
5. НЕ СТАВЬТЕ никаких предметов на поверхность печи.
6. Для обеспечения надлежащей вентиляции оставляйте свободное расстояние не менее 8 см от боковых поверхностей и 10 см от задней стенки.
7. НЕ СНИМАЙТЕ вал привода вращающейся подставки.
8. Как любой электроприбор, печь требует внимательного наблюдения за ней, когда она используется детьми.

ВНИМАНИЕ! ДАННЫЙ ПРИБОР ДОЛЖЕН БЫТЬ ЗАЗЕМЛЕН.

1. Шнур питания должен легко доставать до электророзетки
 2. Данной печи на входе требуется 1.2 кВт*А.
- При установке печи рекомендуется проконсультироваться с инженером по сервису.

ВНИМАНИЕ: Эта печь защищена внутренним предохранителем на 250 В, 8 А.

ВАЖНАЯ ИНФОРМАЦИЯ

Провода сетевого шнура имеют цвет в соответствии со следующей кодировкой:

Зеленый-желтый	: Заземление
Голубой	: Нейтраль
Коричневый	: Под напряжением

Поскольку разноцветные провода сетевого шнура прибора могут не соответствовать цветной маркировке клемм в вашей штепсельной вилке, действуйте следующим образом:

Провод заземления зелено-желтого цвета должен подсоединяться к клемме, маркированной буквой E или символом заземления — зеленого или зелено-желтого цвета.

Провод голубого цвета должен подсоединяться к клемме, маркированной буквой N, или черного цвета.

Провод коричневого цвета должен подсоединяться к клемме, маркированной буквой L, или красного цвета.

ВАЖНЫЕ ПРАВИЛА ТЕХНИКИ БЕЗОПАСНОСТИ

- **ВНИМАНИЕ:** Когда печь работает в комбинированном режиме, дети должны пользоваться печью только под присмотром взрослых из-за высокой температуры (только для моделей с функцией гриля).
- **ВНИМАНИЕ:** В случае повреждения дверцы или ее уплотнений, включение печи недопустимо до тех пор, пока не будет произведен ее ремонт компетентным специалистом.
- **ВНИМАНИЕ:** Выполнение кем-либо, помимо обученного персонала, ремонта, требующего снятия кожухов защиты от микроволнового излучения, опасно.
- **ВНИМАНИЕ:** Жидкости и иные пищевые продукты не следует разогревать в герметичных емкостях, поскольку они могут взорваться.
- **ВНИМАНИЕ:** Разрешайте детям пользоваться печью только под наблюдением взрослых, после проведения соответствующего инструктажа, если ребенок способен ею пользоваться и осознает опасность несчастных случаев вследствие ненадлежащей эксплуатации.
- Печи необходим достаточный поток воздуха для вентиляции. Обеспечьте свободное пространство на 10 см сзади; 15 см с обеих сторон и 30 см над поверхностью печи. Не снимайте ножки печи, не блокируйте вентиляционные отверстия печи.
- Пользуйтесь только посудой, пригодной для использования в микроволновых печах.
- При разогреве продуктов в пластмассовых или бумажных контейнерах, постоянно наблюдайте за печью в связи с возможностью воспламенения.
- При обнаружении дыма выключите печь или выньте вилку из розетки и оставьте дверцу закрытой для тушения пламени.
- Разогревание в микроволновой печи напитков может привести к задержанному во времени вскипанию, поэтому следует соблюдать осторожность при обращении с емкостями.
- Во избежание ожогов, бутылочки и баночки с детским питанием перед употреблением в пищу следует встряхнуть или перемешать содержимое, а также проверить температуру.
- Яйца в скорлупе и сваренные вкрутую не следует разогревать в микроволновой печи, так как они могут взорваться даже после окончания разогрева с помощью микроволн.
- При чистке поверхностей дверцы, уплотнений дверцы и внутренней полости печи пользуйтесь только мягким, не содержащим абразива мылом, или моющими средствами, наносимыми губкой или мягкой тканью.
- Печь следует регулярно чистить и удалять остатки пищи.
- Невыполнение требований по поддержанию печи в чистоте может привести к повреждению поверхности, что может отрицательно повлиять на срок службы электроприбора и создать опасную ситуацию.
- Во избежание несчастных случаев при повреждении шнура питания, его замену должен осуществлять производитель, его представитель по сервису или лицо, имеющее аналогичную квалификацию.

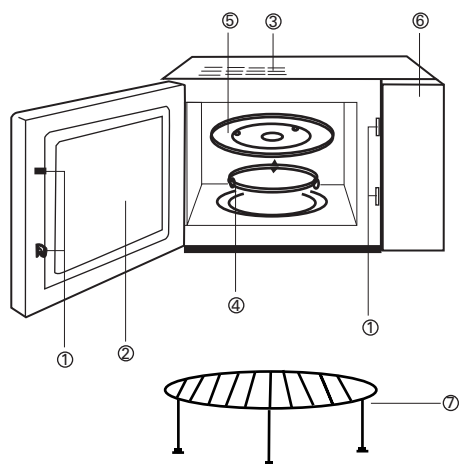
ОБЩИЕ МЕРЫ ПРЕДОСТОРОЖНОСТИ ПРИ ПОЛЬЗОВАНИИ

Ниже перечислены некоторые правила и меры предосторожности по обращению с электроприборами, которые следует соблюдать для обеспечения высокой производительности данной печи:

1. При эксплуатации печи всегда должны быть установлены на своих местах стеклянный поддон, роликовая подставка, муфта и роликовая дорожка.
2. Не используйте печь в каких-либо иных целях, кроме приготовления пищи, например, для сушки одежды, бумаги или иных непищевых предметов, а также для стерилизации.
3. Не включайте печь, когда в ней нет продуктов. Это может привести к повреждению печи.
4. Не используйте внутреннюю полость печи для хранения чего-либо, например, бумаг, поваренных книг и т.п.
5. Не разогревайте пищу, покрытую пленкой, например, яичных желтков, картофеля, куриной печени, не проткнув предварительно несколько раз вилкой.

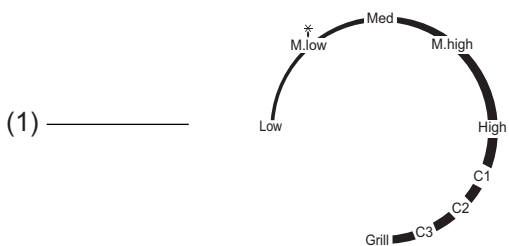
6. Не вставляйте никаких предметов в отверстия наружного корпуса.
7. Не снимайте с печи никаких деталей, таких как ножки, муфта, винты и т.п.
8. Не готовьте пищу непосредственно на стеклянном поддоне. Положите продукты в/на соответствующую посуду для приготовления, прежде чем поместить ее в печь.
9. **ВАЖНО! КУХОННЫЕ ПРИНАДЛЕЖНОСТИ, КОТОРЫЕ НЕЛЬЗЯ ИСПОЛЬЗОВАТЬ В МИКРОВОЛНОВОЙ ПЕЧИ**
 Не пользуйтесь металлическими кастрюлями или посудой с металлическими ручками. Не пользуйтесь посудой с металлической отделкой. Не используйте покрытые бумагой проволочки для закрутки пластиковых пакетов. Не пользуйтесь меламиновой посудой, т.к. она содержит материал, поглощающий энергию микроволнового излучения. Это может вызвать растрескивание или обугливание посуды, а также замедлить скорость приготовления пищи.
 Не пользуйтесь столовой посудой Centura. Глазурь не предназначена для использования в микроволновой печи. Нельзя использовать закрытые чашки Corelle Livingware с ручкой.
 Не готовьте пищу в контейнерах с небольшим отверстием, таких как откупоривающиеся бутылки или бутылки из-под масла для заправки салатов, при их разогреве в микроволновой печи они могут взорваться. Не используйте обычные термометры для продуктов или сладостей. Имеются специальные термометры для приготовления в микроволновых печах. Ими можно пользоваться.
10. Посуду для микроволновых печей следует использовать только в соответствии с инструкциями производителя.
11. Не пытайтесь жарить продукты во фритюре в этой печи.
12. Помните, что микроволновая печь разогревает только жидкость в контейнере, а не сам контейнер. Поэтому, даже если крышка контейнера не является горячей на ощупь при извлечении из печи, помните, что при снятии крышки сосуда содержащаяся внутри пища/жидкость выпустит такое же количество пара и/или брызг, как и при обычном приготовлении.
13. Обязательно сами попробуйте температуру приготовленной пищи, особенно если вы разогреваете или готовите пищу/жидкую пищу для детей. Рекомендуется никогда не употреблять пищу/жидкость сразу после печи, а дать ей постоять несколько минут и перемешать пищу/жидкость, для равномерного распределения тепла.
14. Пища, содержащая смесь жира с водой, например, бульон, должна постоять в печи 30-60 секунд после ее выключения. Это позволит смеси отстояться и предотвратит кипение при погружении ложки в пищу/жидкость, или при добавлении бульонного кубика.
15. При приготовлении пищи/жидкой пищи помните, что некоторые продукты, например, рождественские пудинги, джем и сладкие начинки нагреваются очень быстро. При разогреве или приготовлении пищи с высоким содержанием жира или сахара не пользуйтесь пластмассовыми контейнерами.
16. Посуда для приготовления продуктов может стать горячей от тепла, отдаваемого нагретой пищей. Это особенно касается посуды, верх и ручки которой покрыты пластиком. Для обращения с посудой могут потребоваться тканевые салфетки.
17. Для снижения риска возгорания внутри печи:
 - а) Не превышайте время приготовления пищи. Внимательно наблюдайте за микроволновой печью, если внутрь помещены бумага, пластик или иные воспламеняющиеся материалы для облегчения приготовления.
 - б) Перед помещением в печь удаляйте проволочные закрутки с пакетов.
 - в) Если материалы в печи воспламенились, не открывайте дверцу печи, выключите печь из стенной розетки, либо выключите питание на панели предохранителя или автоматического выключателя.

ФУНКЦИОНАЛЬНАЯ СХЕМА



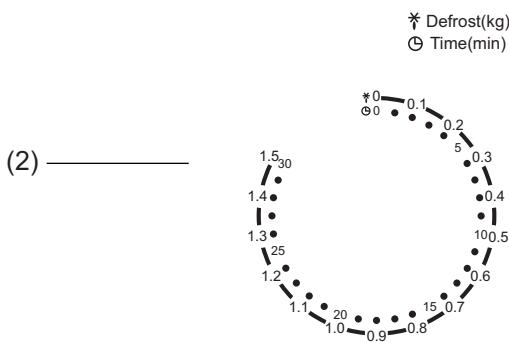
- (1) Система защитной фиксации дверцы
- (2) Окно печи
- (3) Воздушная вентиляция печи
- (4) Кольцевая подставка на роликах
- (5) Стеклянный поддон
- (6) Панель управления
- (7) Решетка гриля

ПАНЕЛЬ УПРАВЛЕНИЯ



- (1) Ручка-регулятор мощности
(2) Таймер 0-30 минут

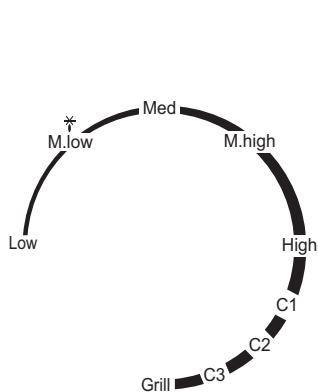
Low уровень мощности 17%
(Низкая):
Средне-низкий: уровень мощности 33%
Med уровень мощности 55%
(Средняя):
Средне-высокий уровень мощности 77%
High уровень мощности 100%
(Высокая):



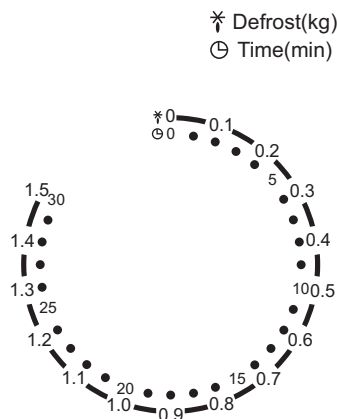
C1: уровень мощности 17% + уровень мощности гриля 83%
C2: уровень мощности 28% + уровень мощности гриля 72%
C3: уровень мощности 40% + уровень мощности гриля 60%
Гриль: уровень мощности 100%

Инструкция по эксплуатации

Для настройки программы приготовления: Поместите продукты на стеклянный поднос в печь и закройте дверцу.



Установите ручку-регулятор мощности на нужный уровень мощности.



С помощью таймера установите нужное время приготовления.

Примечание: После включения таймера печь начнет процесс приготовления.

Если вам нужно время приготовления менее 5 минут, поверните таймер на последние 5 минут, и затем верните на правильное время.

ВСЕГДА ВОЗВРАЩАЙТЕ ТАЙМЕР ОБРАТНО В НУЛЕВОЕ ПОЛОЖЕНИЕ, если продукты извлечены из печи до окончания заданного времени приготовления.

ВЫКЛЮЧЕНИЕ ПЕЧИ: Поверните таймер в нулевое положение. Если открыть дверцу печи во время приготовления, микроволновая печь автоматически прекратит работу, и продолжит приготовление после закрытия дверцы. Если оставшееся время не требуется, поверните таймер обратно в нулевое положение, прежде чем закрыть дверцу.

УХОД ЗА МИКРОВОЛНОВОЙ ПЕЧЬЮ

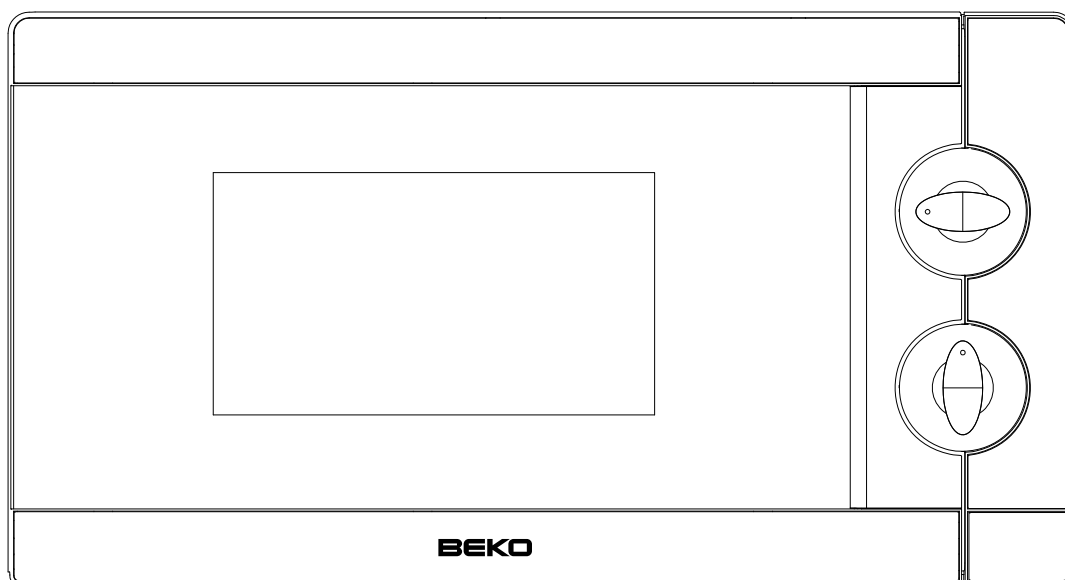
1. Перед чисткой выключите печь и извлеките вилку из розетки.
2. Содержите в чистоте внутреннее пространство печи. При попадании на стенки печи брызг пищи или жидкости протрите стенки влажной тканью. Не рекомендуется использовать жесткие моющие или абразивные средства.
3. Внешнюю поверхность печи следует протирать влажной тканью. Для предотвращения повреждения рабочих частей печи не допускайте протекания воды через вентиляционные отверстия.
4. Панель управления не должна быть влажной. Протирайте ее мягкой влажной тканью. Для чистки панели управления не используйте моющие, абразивные средства или чистящие средства в аэрозольной упаковке.
5. При накапливании в дверце печи или вокруг нее пара, протрите дверцу мягкой тканью. Это может произойти, если микроволновая печь работает в условиях высокой влажности, и ни в коем случае не указывает на неисправность печи.
6. Периодически необходимо извлекать стеклянный поддон для очистки. Промывайте поддон в теплой мыльной воде или в посудомоечной машине.
7. Роликовую подставку и дно внутренней полости печи следует регулярно очищать, чтобы избежать излишнего шума. Просто протрите нижнюю поверхность печи, используя мягкое моющее средство, воду или средство для очистки стекол, и вытрите насухо. Роликовую подставку можно промыть в мыльной воде или в посудомоечной машине. При постоянном использовании образуется пар, но он никак не влияет на нижнюю поверхность или на колесики роликовой подставки. При снятии кольца на роликах с нижней поверхности печи для чистки проследите, чтобы оно было установлено на место в правильном положении.
8. Удаляйте запахи из печи, поместив в нее в глубокую посуду стакан воды с соком и кожурой лимона. Включите микроволновую печь на 5 минут, затем тщательно протрите поверхность насухо мягкой тканью.
9. При необходимости заменить подсветку печи обратитесь к дилеру.

BEKO

Micro-ondes 20 Litres
Manuel d'utilisation

MWC 2010 MX

Veillez lire attentivement les instructions et les
conserver pour référence ultérieure



CE

**CONSIGNES DE SECURITE IMPORTANTES VEUILLEZ LIRE
ATTENTIVEMENT LES INSTRUCTIONS ET LES CONSERVER POUR
REFERENCE ULTERIEURE**

- **AVERTISSEMENT : Lorsque l'appareil fonctionne en mode combiné, de par les températures générées, les enfants ne doivent utiliser l'appareil que sous la surveillance d'un adulte ;**
- **AVERTISSEMENT : Si la porte ou les joints de la porte sont endommagés, le four ne doit pas être utilisé tant qu'il n'a pas été réparé par une personne qualifiée ;**
- **AVERTISSEMENT : Il est dangereux qu'une personne autre qu'une personne qualifiée, réalise des opérations de réparation ou de maintenance impliquant le retrait d'un cache de protection contre l'exposition aux micro-ondes ;**
- **AVERTISSEMENT : Les liquides et autres aliments ne doivent pas être chauffés dans des récipients fermés, cela pouvant entraîner leur explosion**
- **AVERTISSEMENT : Ne permettez à des enfants d'utiliser le four sans surveillance que si les instructions adéquates lui ont été fournies et que l'enfant est en mesure d'utiliser le four sans risque et qu'il comprend les risques liés à une utilisation incorrecte ;**
- **N'utilisez que des ustensiles adaptés à l'utilisation dans des fours micro-ondes**
- **Lorsque vous chauffez des aliments dans des récipients en plastique ou en carton, surveillez le four à cause de la possibilité d'incendie ;**
- **Si vous remarquez de la fumée, éteignez ou débranchez l'appareil et maintenez sa porte fermée pour éteindre les flammes éventuelles ;**
- **La chaleur générée par micro-ondes peut provoquer une ébullition éruptive tardive, par conséquent, faites attention lorsque vous manipulez le récipient ;**
- **Le contenu des biberons et des pots pour bébés doit être mélangé ou secoué, et il faut vérifier la température avant de le consommer, afin d'éviter les risques de brûlures ;**
- **Les œufs avec leur coquille et les œufs durs ne doivent pas être réchauffés dans des fours micro-ondes car ils peuvent exploser, même après la fin de la cuisson ;**
- **Le four doit être nettoyé régulièrement et les traces de nourriture doivent être éliminées ;**
- **Si vous ne gardez pas le four propre, cela peut entraîner la détérioration de la surface et nuire à la durée de vie de l'appareil, pouvant même provoquer des situations dangereuses ;**
- **Si le cordon d'alimentation est endommagé, il doit être remplacé par le fabricant, son agent de maintenance ou autre personne qualifiée afin d'éviter tout danger.**
- **La température des surfaces accessibles peut être élevée lorsque l'appareil est en fonctionnement.**

CARACTERISTIQUES TECHNIQUES

Consommation d'énergie :	230V~50Hz,1080W
Puissance de sortie :	700W
Grill :	800W
Fréquence de fonctionnement :	2 450 MHz
Dimensions extérieures :	454mm (L) x 330mm (p) x 262mm (h)
Dimensions intérieures :	315mm (L) x 296mm (p) x 211mm (h)
Capacité du four :	20 litres
Poids hors emballage :	Approx. 10,5 kg

AVANT DE CONTACTER L'ASSISTANCE

1. Si le four ne fonctionne pas du tout et que l'affichage n'apparaît pas ou disparaît :
 - a) Vérifiez que le four est correctement branché. S'il ne l'est pas, débranchez la prise de la prise murale, attendez 10 secondes et rebranchez-la de nouveau.
 - b) Contrôlez l'installation électrique en vérifiant la présence de fusible grillé ou si le disjoncteur s'est déclenché. Si tout semble fonctionner correctement, testez la prise murale avec un autre appareil.
2. Si le micro-onde ne chauffe pas :
 - a) Vérifiez si le minuteur est activé.
 - b) Assurez-vous que la porte est correctement fermée et que les verrouillages de sécurité sont engagés. Dans le cas contraire, l'énergie des micro-ondes ne fluera pas dans le four.

SI AUCUNE DES OPERATIONS CI-DESSUS NE RESOUT LA SITUATION, CONTACTEZ UN AGENT DE MAINTENANCE AGREE.

Remarque :

L'appareil est uniquement destiné à un usage domestique en intérieur, pour chauffer de la nourriture et des boissons à l'aide de l'énergie électromagnétique.

INTERFERENCES RADIO

Le four micro-ondes peut provoquer des interférences avec votre radio, votre téléviseur ou vos appareils similaires. Lorsque des interférences surviennent, elles peuvent être éliminées ou réduites en appliquant les procédures suivantes.

- a. Nettoyez la porte et la surface d'étanchéité du four.
- b. Placez la radio, TV, etc. le plus loin possible du four micro-ondes.
- c. Utilisez une antenne correctement installée pour votre radio, téléviseur, etc. pour obtenir un bon signal de réception.

INSTALLATION

1. Assurez-vous d'avoir retiré tous les matériaux d'emballage de l'intérieur du four.
2. Après le déballage, vérifiez visuellement la présence de dommages tels que :
 - Porte mal alignée
 - Porte endommagée
 - Traces de chocs ou trous dans le panneau de porte ou l'écran
 - Traces de chocs à l'intérieurSi l'un de ces éléments est constaté, N'UTILISEZ PAS le four.
3. Ce four micro-ondes pèse 10.5 kg et doit être placé sur une surface horizontale assez solide pour pouvoir supporter son poids.
4. Le four doit être placé à l'abri des températures élevées et de la vapeur.
5. NE placez AUCUN objet sur le four.
6. Maintenez un espace d'au moins 8 cm autour des parois latérales du four, 10 cm pour la paroi arrière, afin d'assurer une ventilation correcte.
7. NE retirez PAS l'arbre d'entraînement de rotation de la table.
8. Comme pour tout appareil, une surveillance étroite est nécessaire lors de son utilisation par des enfants.

AVERTISSEMENT - CET APPAREIL DOIT ETRE BRANCHE A UNE BORNE DE MISE A LA TERRE

1. La prise murale doit se trouver à portée du câble d'alimentation.
2. Ce four nécessite 1.2 KVA pour fonctionner. Nous vous recommandons de consulter un technicien en maintenance lors de l'installation du four.

MISE EN GARDE : Ce four est protégé par un fusible interne de 250 Vca de 8 ampères.

IMPORTANT

Les fils du câble d'alimentation présentent des couleurs respectant le code suivant :

Vert / jaune	: Terre
Bleu	: Neutre
Marron	: Conducteur (marron)

Comme les couleurs des fils du câble d'alimentation de cet appareil peuvent ne pas correspondre au marquage de couleur identifiant les bornes de votre prise, procédez de la manière suivante :

Le fil vert-jaune ou vert doit être connecté à la borne de la prise marquée d'un 'E' ou portant le symbole de terre, coloré en vert et jaune ou en vert.

Le fil bleu doit être connecté à la borne de la prise marquée d'un 'N' ou de couleur noire.

Le fil marron doit être connecté à la borne de la prise marquée d'un 'L' ou de couleur rouge.

CONSIGNES DE SECURITE IMPORTANTES

- AVERTISSEMENT : Lorsque l'appareil fonctionne en mode combiné, de par les températures générées, les enfants ne doivent utiliser l'appareil que sous la surveillance d'un adulte ; (uniquement pour les modèles équipés de la fonction grill)
- AVERTISSEMENT : Si la porte ou les joints de la porte sont endommagés, le four ne doit pas être utilisé tant qu'il n'a pas été réparé par une personne qualifiée ;
- AVERTISSEMENT : Il est dangereux qu'une personne autre qu'une personne qualifiée, réalise des opérations de réparation ou de maintenance impliquant le retrait d'un cache de protection contre l'exposition aux micro-ondes ;
- AVERTISSEMENT : Les liquides et autres aliments ne doivent pas être chauffés dans des récipients fermés, cela pouvant entraîner leur explosion.
- AVERTISSEMENT : Ne permettez à des enfants d'utiliser le four sans surveillance que si les instructions adéquates lui ont été fournies et que l'enfant est en mesure d'utiliser le four sans risque et qu'il comprend les risques liés à une utilisation incorrecte ;
- Le four doit disposer d'une aération suffisante. Laissez un espace de 10 cm derrière ; 15 cm sur les côtés et 30 cm au-dessus du four. Ne retirez pas les pieds du four et n'obstruez pas les fentes d'aération du four.
- N'utilisez que des ustensiles adaptés à l'utilisation dans des fours micro-ondes
- Lorsque vous chauffez des aliments dans des récipients en plastique ou en carton, surveillez le four à cause de la possibilité d'incendie ;
- Si vous remarquez de la fumée, éteignez ou débranchez l'appareil et maintenez sa porte fermée pour éteindre les flammes éventuelles ;
- La chaleur générée par micro-ondes peut provoquer une ébullition éruptive tardive, par conséquent, faites attention lorsque vous manipulez le récipient ;
- Le contenu des biberons et des pots pour bébés doit être mélangé ou secoué, et il faut vérifier la température avant de le consommer, afin d'éviter les risques de brûlures ;
- Les œufs avec leur coquille et les œufs durs ne doivent pas être réchauffés dans des fours micro-ondes car ils peuvent exploser, même après la fin de la cuisson ;
- Lors du nettoyage des surfaces de la porte, du joint de porte et de l'intérieur du four, n'utilisez que des détergents doux non abrasifs appliqués avec une éponge ou un chiffon doux.
- Le four doit être nettoyé régulièrement et les traces de nourriture doivent être éliminées ;
- Si vous ne gardez pas le four propre, cela peut entraîner la détérioration de la surface et nuire à la durée de vie de l'appareil, pouvant même provoquer des situations dangereuses ;
- Si le cordon d'alimentation est endommagé, il doit être remplacé par le fabricant, son agent de maintenance ou autre personne qualifiée afin d'éviter tout danger.

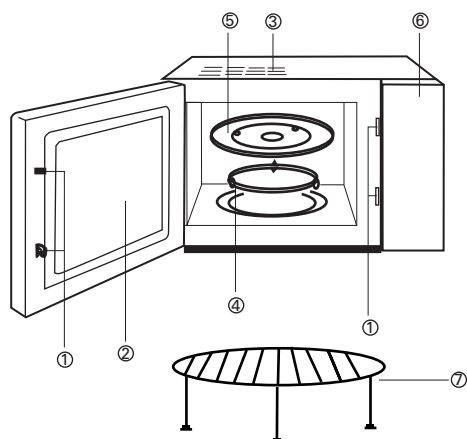
CONSIGNES DE SECURITE CONCERNANT L'UTILISATION QUOTIDIENNE

Comme pour tous les appareils, il convient de respecter certaines règles et précautions pour garantir l'obtention des performances optimales du four:

1. Veillez en permanence à ce que la plaque en verre, les bras de rouleau, le raccord et le chemin de roulement soient en place lorsque vous faites fonctionner le four.
2. N'utilisez pas le four pour un motif autre que la préparation de nourriture, par exemple pour sécher des vêtements, du papier ou tout autre objet qui ne soit pas de la nourriture, ou à des fins de stérilisation.
3. Ne faites pas fonctionner le four à vide. Vous risqueriez d'endommager l'appareil.
4. N'utilisez pas l'intérieur du four comme espace de rangement, par exemple pour du papier ou des livres de cuisine, etc.
5. Ne cuisez pas de denrées entourées d'une membrane, tels que les jaunes d'œufs, les pommes de terre, les foies de volaille, etc., sans avoir percé cette membrane plusieurs fois à l'aide d'une fourchette.

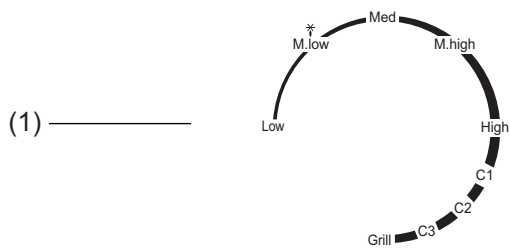
6. N'insérez pas d'objets dans les ouvertures du boîtier extérieur.
7. Ne retirez jamais des pièces du four, tels que les pieds, les raccords, les vis, etc.
8. Ne mettez jamais d'aliments à cuire directement sur la plaque de verre. Placez la nourriture dans / sur un récipient de cuisine adapté avant de la mettre dans le four.
9. IMPORTANT – EQUIPEMENT DE CUISINE A NE JAMAIS UTILISER DANS LE FOUR MICRO-ONDES
N'utilisez pas de poêles métalliques ou de plats présentant des poignées en métal. N'utilisez pas aucun objet présentant du métal. N'utilisez pas d'attaches métalliques recouvertes de papier des sacs en plastique. N'utilisez pas de plats à décorations en mélamine, car elles contiennent un matériau qui absorbe les micro-ondes. Cela pourrait provoquer le craquèlement ou la carbonisation des plats et ralentit la vitesse de cuisson.
N'utilisez pas de vaisselle Centura. Le vernis n'est pas adapté à une utilisation dans un four micro-ondes. Les tasses de la marque Corelle ne doivent pas être utilisées.
Ne cuisez pas d'aliments dans un récipient présentant une ouverture limitée, comme une bouteille de boisson gazeuse ou une bouteille d'huile alimentaire, car elles pourraient exploser si elles sont chauffées dans un four micro-ondes. N'utilisez pas de thermomètres à viande ou à bonbons conventionnels. Il existe des thermomètres destinés spécifiquement à la cuisson en four micro-ondes. Ils peuvent être utilisés.
10. Les ustensiles pour micro-ondes ne doivent être utilisés que conformément aux instructions du fabricant.
11. N'essayez pas de décongeler des aliments avec ce four.
12. Gardez à l'esprit qu'un four micro-ondes chauffe plus le liquide contenu dans un récipient que le récipient lui-même. Par conséquent, même si le couvercle d'un récipient n'est pas chaud au toucher lorsque vous le retirez du four, souvenez-vous que la nourriture / la boisson à l'intérieur libèreront la même quantité de vapeur et/ou d'éclaboussures à l'ouverture que pour une cuisson conventionnelle.
13. Vérifiez toujours la température de la nourriture cuinée vous-mêmes, en particulier si vous chauffez des aliments/boissons pour des bébés. Il convient de ne jamais consommer les aliments/boissons directement sortis du four, mais d'attendre quelques minutes et de remuer les aliments/boissons, afin de distribuer la chaleur uniformément.
14. La nourriture contenant un mélange de graisse et d'eau, par ex. les jaunes d'œuf, doivent rester entre 30 et 60 secondes dans le four après la cuisson. Cela permet au mélange de se reposer et empêche l'éclatement de bulles lorsqu'une cuillère est placée dans la nourriture/boisson ou qu'un cube de bouillon est ajouté.
15. Lors de la préparation / cuisson de nourriture / boissons, gardez à l'esprit que certains de ces éléments, comme les puddings de Noël, les confitures et la viande hachée cuisent très rapidement. Si vous cuisez des aliments avec une forte teneur en graisse ou sucre, n'utilisez pas de récipients en plastique.
16. Les récipients de cuisine peuvent devenir très chauds à cause de la chaleur dégagée par les aliments. Cela est tout particulièrement applicable si un emballage plastique recouvre le haut et les poignées du récipient. Des poignées en tissu peuvent être nécessaires pour manipuler le récipient.
17. Pour réduire le risque d'incendie dans le four :
 - (a) Ne cuisez pas excessivement la nourriture. Surveillez attentivement le four micro-ondes si du carton, papier ou autre matériaux combustibles sont placés dans le four pour faciliter la cuisson.
 - (b) Retirez les attaches contenant du métal des sacs avant de les placer dans le four.
 - (c) Si des matériaux dans le four prennent feu, gardez la porte du four fermée, débranchez la prise murale du four ou coupez le courant au niveau des fusibles ou du panneau du disjoncteur.

SCHEMA DES FONCTIONS



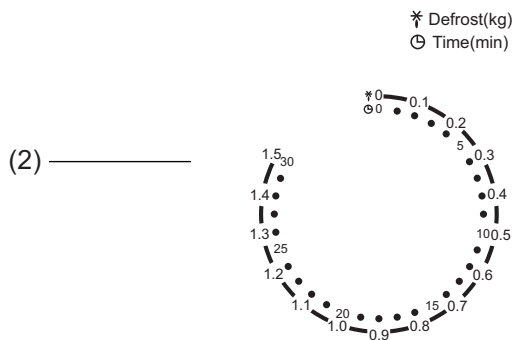
- (1) Système de verrouillage de sécurité de la porte
- (2) Fenêtre du four
- (3) Fente d'aération du four
- (4) Couronne de roulement
- (5) Plaque en verre
- (6) Bandeau de commande
- (7) Grille du grill

BANDEAU DE COMMANDE



(1) Commande de sélection de la puissance

(2) Minuterie-0-30 Minutes



Bas : 17 % de la puissance

Moyen bas : 33% de la puissance

Moyen : 55% de la puissance

Moyen haut : 77% de la puissance

Haut : 100% de la puissance

C1: 17% de puissance délivrée + 83 % par le gril

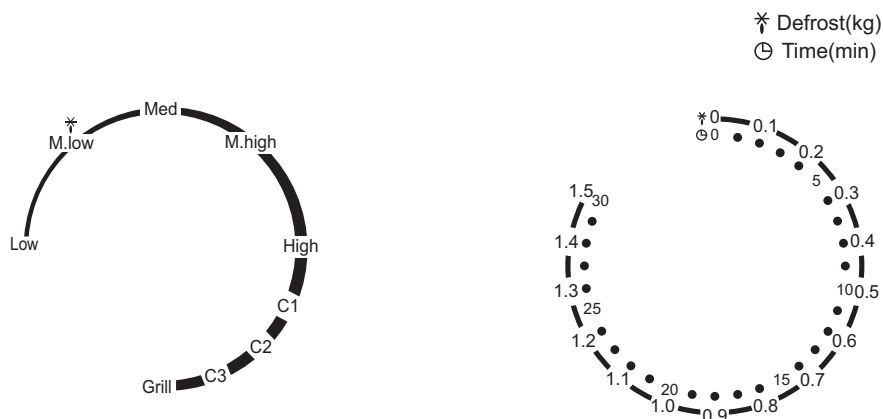
C2: 28% de puissance délivrée + 72% par le gril

C3: 40% de puissance délivrée + 60% par le gril

Gril : 100% de puissance délivrée par le gril

Instructions d'utilisation

Pour définir un programme de cuisson : Introduisez les aliments sur le plateau tournant du four et fermez la porte.



Tournez la molette de contrôle de la puissance sur le niveau de puissance nécessaire

Sélectionnez la durée de cuisson nécessaire à l'aide de la minuterie

Remarque : Le four ne démarre la cuisson que lorsque la minuterie a été sélectionnée.

Si vous désirez cuire pendant moins de 5 minutes, placez la minuterie au-delà de 5 minutes puis revenez sur la durée correcte. **REMETTEZ TOUJOURS LA MINUTERIE A ZÉRO** lorsque vous retirez la nourriture du four avant que la durée de cuisson programmée ne se soit écoulée.

ARRÊTER LE FOUR : Mettez la minuterie sur la position Zéro. Si la porte du four est ouverte pendant la cuisson, le four micro-ondes arrête automatiquement de fonctionner et la cuisson reprend à la fermeture de la porte. Si la durée de cuisson restante n'est pas nécessaire, remplacez la minuterie sur zéro avant de fermer la porte.

ENTRETIEN DE VOTRE FOUR

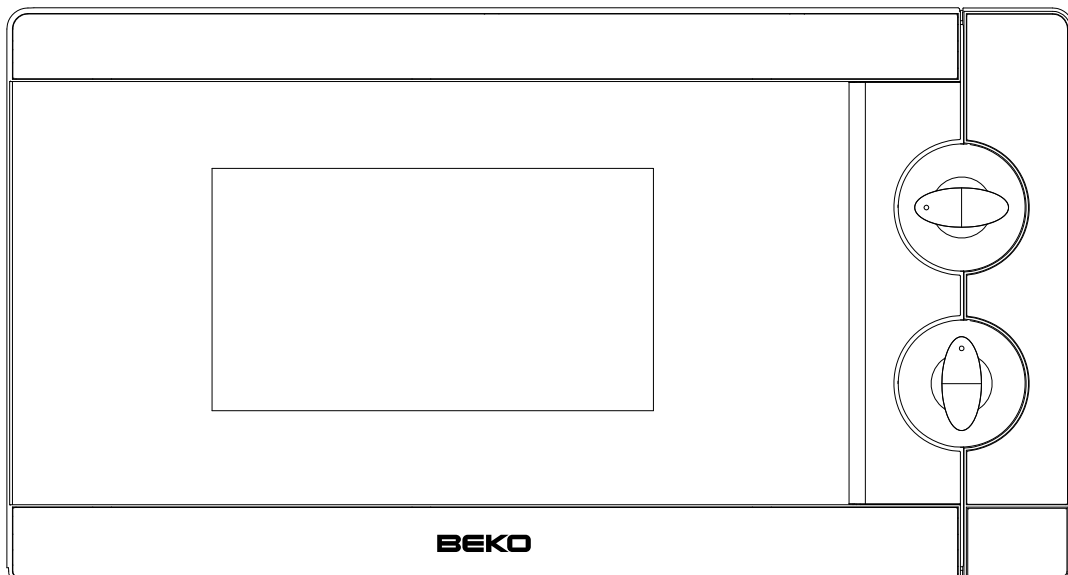
1. Eteignez le four et débranchez la prise murale avant de procéder au nettoyage.
2. Maintenez l'intérieur du four propre. Lorsque des éclaboussures de nourriture ou de liquide adhèrent aux parois du four, nettoyez-les avec un chiffon humide. L'utilisation de détergents abrasifs n'est pas recommandée.
3. La surface extérieure du four doit être nettoyée avec un chiffon humide. Pour éviter d'endommager les pièces opérationnelles à l'intérieur du four, évitez de faire entrer de l'eau dans les ouvertures d'aération.
4. Evitez de mouiller le bandeau de commande. Nettoyez à l'aide d'un chiffon doux humide. N'utilisez pas de détergents abrasifs ou de produits nettoyants en spray sur le bandeau de commande.
5. Si de la vapeur s'accumule à l'intérieur ou sur l'extérieur de la porte du four, essuyez-la avec un chiffon doux. Cela peut se produire lorsque le four fonctionne avec un temps très humide et n'indique en aucune manière un dysfonctionnement de l'appareil.
6. Il est nécessaire de retirer régulièrement le plateau en verre pour le nettoyer. Lavez le plateau dans de l'eau savonneuse chaude ou au lave-vaisselle.
7. La couronne de roulement et le sol du four doivent être nettoyés régulièrement pour éviter la formation excessive de bruit. Essayez simplement la surface du sol du four avec un détergent doux, de l'eau ou un produit nettoyant pour vitre et séchez-la. La couronne de roulement peut être lavée à l'eau savonneuse tiède ou au lave-vaisselle. La vapeur de cuisson qui s'accumule suite à une utilisation répétée n'affecte pas la surface du sol ou les roues de la couronne de roulement. Lorsque vous retirez la couronne de roulement de l'intérieur du four pour la nettoyer, assurez-vous de la replacer correctement.
8. Eliminez les odeurs du four en mélangeant de l'eau et le jus et la peau d'un citron dans un bol profond pouvant aller en micro-ondes. Allumez le four pendant 5 minutes et essuyez soigneusement avec un chiffon doux.
9. S'il est nécessaire de remplacer l'ampoule du four, contactez votre revendeur pour qu'il réalise cette opération.

BEKO

20 litrų talpos rankinio valdymo
mikrobangų krosnelės naudotojo vadovas

MWC 2010 MX

Atidžiai perskaitykite šias instrukcijas ir jas saugokite, kad
galėtumėte paskaityti ateityje



CE

**SVARBIOS SAUGOS INSTRUKCIJOS – ATIDŽIAI PERSKAITYKITE IR
SAUGOKITE, KAD GALĖTUMĖTE PASKAITYTI ATEITYJE**

- **PERSPĖJIMAS:** prietaisą naudojant kelių patiekalų ruošimo veikseną, vaikams naudotis prietaisu leidžiama tik suaugusių asmenų priežiūroje, nes krosnelėje temperatūra yra labai aukšta;
- **PERSPĖJIMAS:** jei pažeistos durelės arba durelių tarpikliai, krosnelės nenaudokite; ją bus galima naudoti tik tada, kai ją suremontuos kompetentingas asmuo;
- **PERSPĖJIMAS:** vykdyti techninės priežiūros ar remonto darbus, kurių metu nuimamas dangtis, saugantis nuo mikrobangų energijos poveikio, pavojinga, todėl tokius darbus leidžiama dirbti tik kompetentingam asmeniui;
- **PERSPĖJIMAS:** draudžiama kaitinti sandariuose induose esančius skysčius ir maisto produktus, nes tokie indai gali sprogti;
- **PERSPĖJIMAS:** vaikams leidžiama krosnele naudotis tik suaugusiųjų priežiūroje; vaikus būtina apmokyti, kad jie krosnele naudotųsi saugiai ir žinotų jos keliamus pavojus;
- naudokite tik mikrobangų krosnelėse pritaikytus naudoti indus;
- šildydami maistą, sudėtą į plastikinius ar popierinius indus, stebėkite krosnelę, nes tokie indai gali užsidegti;
- jei pastebite dūmų, prietaisą išjunkite arba ištraukite maitinimo laidą; durų neatidarykite, kad būtų užslopinta liepsna;
- jei kaitinami gėrimai, praėjus truputį laiko jie gali užvirti ir išstrykšti, todėl imant tokį indą reikia būti atsargiems;
- vaikų maitinimo buteliukuose ir vaikų maisto stiklainėliuose esantį turinį reikia sumaišyti arba supurtyti, taip pat reikia patikrinti temperatūrą, kad vaikas nenusidegintų;
- sveikų arba kietai virtų kiaušinių kaitinti mikrobangų krosnelėse negalima, nes jie gali sprogti net ir pasibaigus kaitinimui mikrobangomis;
- krosnelę būtina reguliariai valyti ir iš jos pašalinti maisto likučius;
- neprižiūrint krosnelės švaros, prastės paviršiaus kokybė, todėl trumpės prietaiso tarnavimo laikas, taip pat dėl to gali susidaryti pavojinga situacija;
- jei pažeidžiamas maitinimo laidas, jį leidžiama keisti tik gamintojui, gamintojo klientų aptarnavimo atstovui arba panašios kvalifikacijos asmenims – kitaip gali kilti pavojus.
- Buitiniam prietaisui veikiant, jo išoriniai paviršiai gali labai įkaisti.

SPECIFIKACIJOS

Energijos sunaudojimas:	230 V ~50 Hz, 1080 W
Galia:	700 W
Grilio kaitintuvas:	800 W
Eksploatacinis dažnis:	2,450 MHz
Išorės matmenys:	454 mm (plotis) X 330 mm (gylis) X 262 mm (aukštis)
Krosnelės ertmės matmenys:	315 mm (plotis) X 296 mm (gylis) X 211 mm (aukštis)
Krosnelės talpa:	20 litrų
Svoris be dėžės:	Apytikriai 10,5 kg

PRIEŠ SKAMBINANT DĖL TECHNINĖS PRIEŽIŪROS

1. Jei krosnelė visiškai neveikia, ekranėlis nieko nerodo arba jis nustoja rodyti:

- a) Patikrinkite, ar gerai prijungtas krosnelės maitinimo laido kištukas. Jei jis prijungtas blogai, kištuką ištraukite iš lizdo, palaukite 10 sekundžių ir jį gerai įkiškite.
- b) Patikrinkite, ar neperdegė elektros tinkle įrengtas grandinės saugiklis ir ar nesuveikė tinklo grandinės pertraukiklis. Jei atlikus šias patikras neaptinkama trikčių, prie lizdo prijunkite kitą prietaisą, kad išbandytumėte, ar jis veikia.

2. Jei nėra mikrobangų energijos:

- a) Patikrinkite, ar nustatytas laikmatis.
- b) Patikrinkite, ar gerai uždarytos durelės ir apsauginiai fiksnatoriai užsifiksavo. Kitaip mikrobangų energija krosnelėje nebus skleidžiama.

JEI ATLIKUS NURODYTUS VEIKSMUS TRIKTIS NEPAŠALINAMA, KREIPKITĖS Į ĮGALIOTĄ KLIENTŲ
APTARNAVIMO ATSTOVĄ.

Pastaba:

Šis prietaisas skirtas naudoti buityje, patalpų viduje, maistui ir gėrimams šildyti naudojant elektromagnetinę energiją.

RADIJO TRIKDŽIAI

Mikrobangų krosnelė gali sukelti radijo, televizoriaus arba kitokios panašios įrangos trikdžius. Atsiradus trikdžiams, juos galima pašalinti arba susilpninti atliekant toliau išvardytus veiksmus.

- a. Nuvalykite krosnelės dureles ir tarpiklių paviršius.
- b. Radijo aparatą, televizorių ir kitus prietaisus pastatykite kuo toliau nuo mikrobangų krosnelės.
- c. Tam, kad signalo priėmimas būtų stipresnis, radijo aparate, televizoriuje ar kitame prietaise tinkamai įrenkite anteną.

ĮRENGIMAS

1. Patikrinkite, ar iš krosnelės vidaus išimtos visos pakuotės medžiagos.
2. Išpakavę krosnelę, ją patikrinkite, ar nėra tokių pažeidimų:
 - Durės blogai sulgyjuotos
 - Durės pažeistos
 - Durėlių stikle ir ekranėlyje yra įlenkimų arba skylių
 - Krosnelės ertmėje yra įlenkimų
 - Jei pastebite tokius pažeidimus, krosnelės NENAUDOKITE.
3. Mikrobangų krosnelė sveria 10,5 kg, todėl ją būtina statyti ant pakankamai tvirto horizontalaus paviršiaus, kad jis išlaikytų krosnelės svorį.
4. Krosnelę būtina statyti atokiai nuo aukštos temperatūros ir garų šaltinių.
5. Ant krosnelės viršaus NEGALIMA nieko dėti.
6. Iš abiejų krosnelės šonų palikite mažiausiai 8 cm erdvės, o nuo galinės sienelės – 10 cm erdvės; tada ventiliacija bus gera.
7. Sukamojo padėklo varančiojo veleno išimti NEGALIMA.
8. Jei prietaisą naudoja vaikai, juos būtina prižiūrėti.

PERSPĖJIMAS: ŠĮ PRIETAISĄ BŪTINA ĮŽEMINTI.

1. Maitinimo laidas turi lengvai pasiekti elektros lizdą.
2. Krosnei reikalinga 1,2 KVA įvestis.

Įrengiant krosnelę rekomenduojame pasikonsultuoti su aptarnavimo inžinieriumi.

ISPĖJIMAS: krosnelės viduje įrengtas 250 V 8 amperų kintamosios srovės saugiklis.

SVARBU

Maitinimo kabelio laidų spalvos atitinka tokius spalvinius kodus:

Žalia ir geltona:	Įžeminimas
Mėlyna	: Neutralus
Rudas	: Su įtampa

Jeigu prietaiso maitinimo kabelio laidų spalvos neatitinka spalvinių žymų, nurodančių išvadus kištuke, elkitės taip:

Žalios ir geltonos spalvos laidas turi būti jungiamas prie tokio kištuko išvado, kuris pažymėtas raide „E“ arba žalios ir geltonos spalvos įžeminimo simboliu.

Mėlynas laidas turi būti jungiamas prie išvado, pažymėto raide „N“, arba juodos spalvos išvado.

Rudas laidas turi būti jungiamas prie išvado, pažymėto raide „L“, arba raudonos spalvos išvado.

SVARBIOS SAUGOS INSTRUKCIJOS

- PERSPĖJIMAS: prietaisą naudojant kelių patiekalų ruošimo veiksmu, vaikams naudotis prietaisu leidžiama tik suaugusių asmenų priežiūroje, nes krosnelėje temperatūra yra labai aukšta; (taikoma tik grilio funkciją turinčioms krosnelėms);
- PERSPĖJIMAS: jei pažeistos durelės arba durelių tarpikliai, krosnelės nenaudokite; ją bus galima naudoti tik tada, kai ją suremontuos kompetentingas asmuo;
- PERSPĖJIMAS: vykdyti techninės priežiūros ar remonto darbus, kurių metu nuimamas dangtis, saugantis nuo mikrobangų energijos poveikio, pavojinga, todėl tokius darbus leidžiama dirbti tik kompetentingam asmeniui;
- PERSPĖJIMAS: draudžiama kaitinti sandariuose induose esančius skysčius ir maisto produktus, nes tokie indai gali sprogti;
- PERSPĖJIMAS: vaikams leidžiama krosnele naudotis tik suaugusiųjų priežiūroje; vaikus būtina apmokyti, kad jie krosnele naudotųsi saugiai ir žinotų jos keliamus pavojus;
- Aplink krosnelę turi būti pakankamai erdvės oro srautui tekėti. Krosnelės nugarinėje pusėje palikite 10 cm erdvės, abiejose pusėse – po 15 cm erdvės, viršuje – 30 cm erdvės. Nenuimkite krosnelės pagrindo; neuždenkite krosnelės ventiliacijos angų.
- Naudokite tik mikrobangų krosnelėse pritaikytus naudoti indus;
- Šildydami maistą, sudėtą į plastikinius ar popierinius indus, stebėkite krosnelę, nes tokie indai gali užsidegti;
- Jei pastebite dūmų, prietaisą išjunkite arba ištraukite maitinimo laidą; durų neatidarykite, kad būtų užslopinta liepsna;
- Jei kaitinami gėrimai, praėjus truputį laiko jie gali užvirti ir išstrykšti, todėl imant tokį indą reikia būti atsargiems;
- Vaikų maitinimo buteliukuose ir vaikų maisto stiklainėliuose esantį turinį reikia sumaišyti arba supurtyti, taip pat reikia patikrinti temperatūrą, kad vaikas nenusidegintų;
- Sveikų arba kietai virtų kiaušinių kaitinti mikrobangų krosnelėse negalima, nes jie gali sprogti net ir pasibaigus kaitinimui mikrobangomis;
- Dureles, durelių tarpiklį ir krosnelės ertmę valykite nestipraus poveikio, neabrazyviniu muilu arba valomosiomis priemonėmis; naudokite kempinę arba švelnų audinį;
- Krosnelę būtina reguliariai valyti ir iš jos pašalinti maisto likučius;
- Neprižiūrint krosnelės švaros, prastės paviršiaus kokybė, todėl trumpės prietaiso tarnavimo laikas, taip pat dėl to gali susidaryti pavojinga situacija;
- Jei pažeidžiamas maitinimo laidas, jį leidžiama keisti tik gamintojui, gamintojo klientų aptarnavimo atstovui arba panašios kvalifikacijos asmenims – kitaip gali kilti pavojus.

BENDROJO EKSPLOATAVIMO SAUGOS INSTRUKCIJOS

Kaip ir su visais prietaisais, toliau pateikiamos tam tikros taisyklės bei nurodomos atsargumo priemonės, kurių paisant krosnelė veiks geriausiai:

1. Naudojant krosnelę, stiklinis padėklas, sukamojo cilindro atramos, mova ir sukamojo cilindro bėgelis turi būti jiems skirtose vietose.
2. Krosnelę galima naudoti tik maistui ruošti; jos negalima naudoti drabužiams, popieriui ar kitiems ne maisto produktams džiovinti, priemonėms sterilizuoti.
3. Krosnelės neįjunkite, jei ji tuščia. Krosnelė gali sugesti.
4. Krosnelės ertmėje nelaikykite jokių daiktų – popieriaus, maisto gaminių knygu ir kitų daiktų.
5. Negaminkite maisto produktų su plėvele, pavyzdžiui, kiaušinių trynių, bulvių, vištienos kepenėlių ir pan.; pirmiausiai tokius produktus kelis kartus pradurkite šakute.

6. Nekiškite jokių daiktų į korpuse esančias angas.
7. Nuo krosnelės nenuimkite jokių jos dalių – pagrindo, movos, varžtų ir kt.
8. Maisto neruoškite jį padėję tiesiai ant stiklinio padėklo. Prieš dėdami maisto produktą į krosnelę, jį idėkite į tinkamą maisto gaminimo indą arba ant jo.

9. SVARBU: INDAI, KURIŲ NEGALIMA NAUDOTI MIKROBANGŲ KROSNELĖJE

Nenaudokite metalinių prikaistuvių arba lėkščių su metalinėmis rankenomis. Nenaudokite indų su metalinėmis dalimis. Nenaudokite plastikinių maišelių, ant kurių yra popieriumi padengtų vielinių sujungimų. Nenaudokite melamino lėkščių, nes jose yra mikrobangų energiją sugeriančių medžiagų. Tokios lėkštės gali įskilti arba apanglėti, jose maistas gaminsis lėčiau.

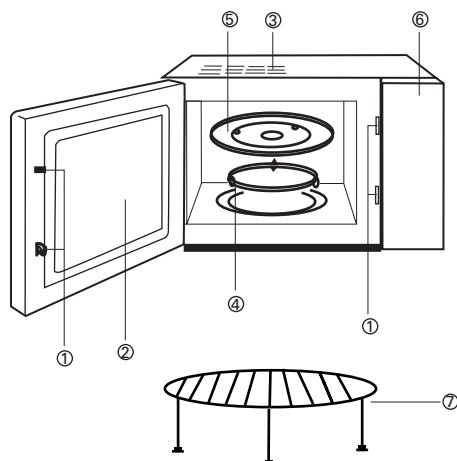
Nenaudokite „Centure“ valgomųjų reikmenų. Glazūra nėra pritaikyta naudoti mikrobangų krosnelėse. Negalima naudoti „Corelle Livingware“ puodelių su uždaro tipo rankenėlėmis.

Maisto neruoškite induose, kurių anga yra labai maža, pavyzdžiui, gazuoto vandens buteliuose arba aliejaus salotoms buteliukuose, ne jie kaitinami mikrobangų krosnelėse gali sprogti. Nenaudokite tradicinių mėsos ar cukraus termometrų. Nusipirkite mikrobangų krosnelėms skirtą termometrą – jį naudoti galima.

10. Mikrobangų krosnelėms skirtus indus naudokite paisydami gamintojo instrukcijų.
11. Krosnelėje negaminkite maisto jį kepdami riebaluose.
12. Nepamirškite, kad mikrobangų krosnelėse kaitinamas tik inde esantis skystis, o pats indas nekaista. Todėl, net jei iš krosnelės išimto indo dangtis nekarštas, nuėmus dangtį jame esantis maistas arba skystis garuos ir (arba) taškysis taip pat, kaip ir maistą ruošiant tradiciniu būdu.

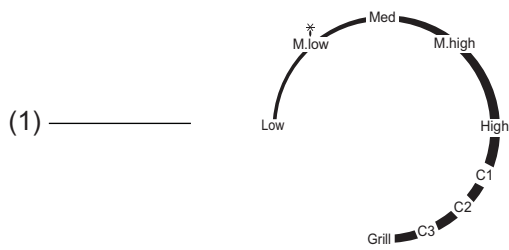
13. Visada patikrinkite paruošto maisto temperatūrą, ypač jei šildote kūdikiams skirtą maistą arba skystį. Rekomenduojama niekada nevirtoti ką tik iš krosnelės išimto maisto arba skysčių – leiskite jiems kelias minutes atvėsti, maistą arba skystį sumaišykite, kad karštis tolygiai pasiskirstytų.
14. Maistą, kuriame yra riebalų ir vandens mišinio, pavyzdžiui, sultinį, palikite krosnelėje 30–60 sekundžių krosnelę išjungę. Tada toks mišinys nusistovės ir į maistą ar skystį idėjus šaukštą arba sultinio kubelį mišinys nekunkuliuos.
15. Ruošdami maistą arba skystį atminti, kad kai kurie maisto produktai, pavyzdžiui, kalėdiniai pudingai, džemai ir džiovintų vaisių ir uogų įdaras sušyla labai greitai. Šildydami arba ruošdami maistą, kuriame yra daug riebalų arba cukraus, nenaudokite plastikinių indų.
16. Maisto ruošimo indai gali įkaisti dėl karščio, kurį indui perduoda įkaitęs maistas. Tai ypač aktualu tuo atveju, jei plastikiniu padengtas indo viršus ir rankenos. Tokius indus imkite naudodamiesi puodkėlėmis.
17. Ko imtis, kad krosnelės ertmėje sumažėtų užsiliepsnojimo pavojus:
 - (a) Maisto nepervirkite. Jei norėdami paspartinti maisto ruošimą krosnelėje naudojate popierines, plastikines arba kitas degias medžiagas, atidžiai stebėkite mikrobangų krosnelę.
 - (b) Prieš į krosnelę dėdami maišelius, nuo jų nuimkite vielinius sujungimus.
 - (c) Jei krosnelėje esančios medžiagos užsidega, durelių neatidarykite, krosnelę išjunkite ištraukdami kištuką iš lizdo arba maitinimą atjunkite išėmę jungiklį arba maitinimą atjungdami grandinės pertraukiklio skyde.

DALIŲ ILIUSTRACIJA



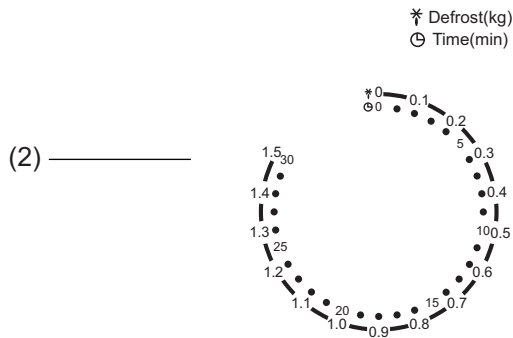
- (1) Durelių saugaus užfiksavimo sistema
- (2) Krosnelės langas
- (3) Krosnelės ventiliacijos angos
- (4) Sukamojo cilindro žiedas
- (5) Stiklinis padėklas
- (6) Valdymo pultas
- (7) Grilio grotelės

VALDYMO PULTAS



(1) Galios parinkimo valdiklis

(2) Laikmatis: 0 – 30 minučių



Maža: 17% galios

Vid. maža: 33% galios

Vid.: 55% galios

Vid. aukšta: 77% galios

Didelė: 100% galios

C1: 17% galios + 83% grilio galios

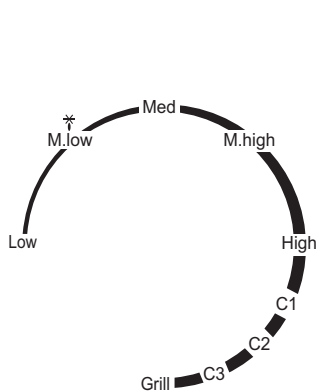
C2: 28% galios + 72% grilio galios

C3: 40% galios + 60% grilio galios

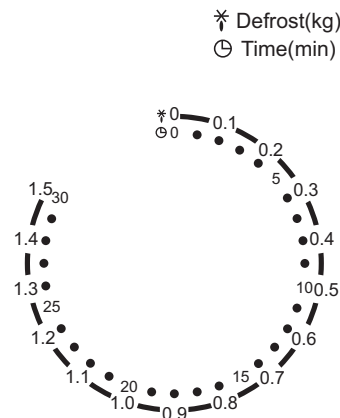
Grilis: 100% grilio galios

Eksploatavimo instrukcijos

Kaip nustatyti gaminimo programą: Maistą padėkite ant stiklinio sukamojo padėklo krosnelėje ir uždarykite dureles.



Galios valdiklio rankenėlę pasukite į reikiamos galios lygio padėtį.



Laikmačiu parinkite reikiamą gaminimo laiką.

Pastaba: krosnelė pradės veikti pasukus laikmatį.

Jei maistą reikia gaminti trumpiau negu 5 minutes, laikmatį pasukite toliau negu 5 minučių atžyma ir tada jį sukite atgal iki reikiamo laiko atžymos.

Jei maistą iš krosnelės išimate dar nepasibaigus nustatytam gaminimo laikui, LAIKMATĮ VISADA NUSTATYKITE Į NULIO PADĖTĮ.

KROSNELĖS VEIKIMO SUSTABDYMAS: laikmatį pasukite į nulio padėtį. Jei krosnelės durelės atidaromos maisto gaminimo metu, mikrobangų krosnelė automatiškai nustos veikti, o maisto gaminimas bus tęsiamas uždarius dureles. Jei likusį laiką maisto gaminti nebereikia, prieš uždarydami dureles, laikmatį pasukite į nulio padėtį.

MIKROBANGŲ KROSNELĖS PRIEŽIŪRA

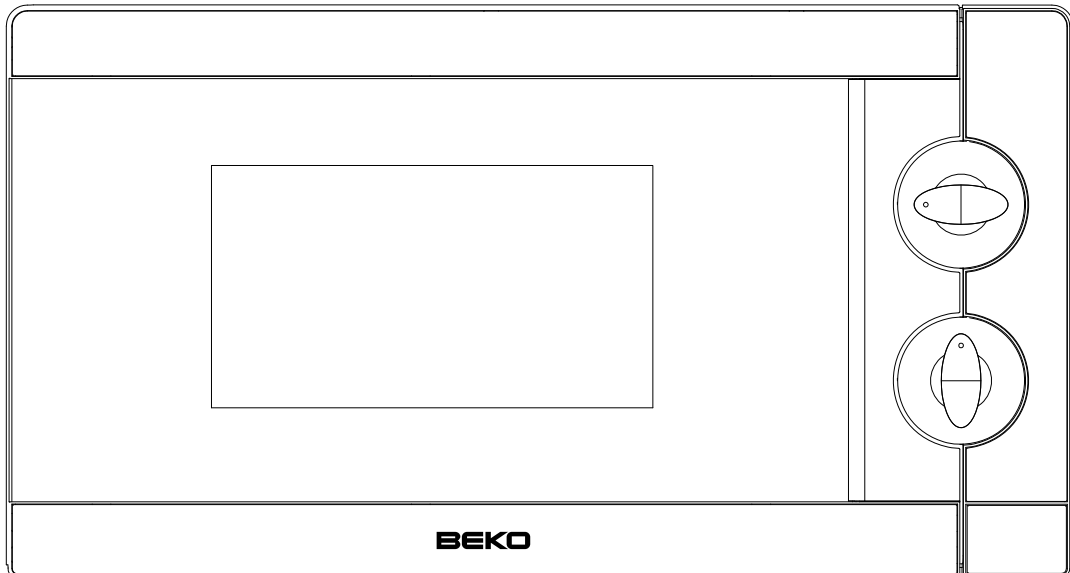
1. Prieš valydami, krosnelę išjunkite ir iš sieninio lizdo ištraukite kištuką.
2. Rūpinkite krosnelės vidaus švara. Jei maisto tiškai arba išsilieję skysčiai prilimpa prie krosnelės sienelių, nešvarumus valykite drėgnu audiniu. Naudoti stipraus poveikio arba abrazyvinių valomųjų priemonių nerekomenduojama.
3. Išorinius krosnelės paviršius valykite drėgnu audiniu. Tam, kad nepažeistumėte krosnelės viduje esančių dalių, pasirūpinkite, kad pro ventiliacijos angas nepatektų vandens.
4. Pasirūpinkite, kad nesudrėktų valdymo pultas. Jį valykite minkštu, drėgnu audiniu. Valdymo pulto nevalykite valomosiomis priemonėmis, abrazyvinėmis priemonėmis arba purškiamaisiais valikliais.
5. Jei ant krosnelės durelių (iš vidaus arba iš išorės) susikaupia garų, juos nušluostykite minkštu audiniu. Taip gali nutikti mikrobangų krosnelę naudojant itin drėgnoje aplinkoje; tai nėra gedimas.
6. Retkarčiais būtina išimti stiklinį padėklą ir jį nuvalyti. Padėklą plaukite šiltame muiliname vandenyje arba indaplovėje.
7. Reguliariai valykite sukamojo cilindro žiedą ir krosnelės ertmės dugną – tada nesklis triukšmas. Apatinį krosnelės paviršių tiesiog nušluostykite naudodami nestipraus poveikio valomąją priemonę, vandenį arba langų valiklį; po to nusausinkite. Sukamojo cilindro žiedą galima plauti nesmarkiai muiliname vandenyje arba indaplovėje. Krosnelę naudojant pakartotinai, kaupiasi gaminamo maisto garai, tačiau jie nedaro poveikio apatiniam paviršiui ar sukamojo cilindro žiedo ratukams. Jei iš krosnelės ertmės išėmėte sukamojo cilindro žiedą, kad jį nuvalytumėte, žiūrėkite, kad jį vėliau gerai įdėtumėte.
8. Kaip iš krosnelės pašalinti kvapus: į gilų mikrobangų krosnelėms pritaikytą dubenį įpilkite vandens su sultimis ir vienos citrinos žievele. 5 minutėms įjunkite krosnelę, po to minkštu audiniu ją gerai iššluostykite ir nusausinkite.
9. Prireikus pakeisti krosnelės apšvietimo lempuotę, dėl jos pakeitimo prašom kreiptis į prekybos atstovą.

BEKO

Manual de instruções do
proprietário do microondas
manual de 20 litros

MWC 2010 MX

Leia cuidadosamente as instruções e guarde-as
para referência posterior.



CE

INSTRUÇÕES IMPORTANTES SOBRE A SEGURANÇA LEIA CUIDADOSAMENTE E MANTENHA-AS PARA REFERÊNCIA POSTERIOR.

- **AVISO:** quando o equipamento for operado no modo de combinação, as crianças apenas deverão utilizar o forno sob a supervisão de um adulto devido às temperaturas que são geradas;
- **AVISO:** se a porta ou os vedantes da mesma estiverem danificados, o forno não deverá ser operado até que tenham sido reparadas por uma pessoa competente;
- **AVISO:** é perigoso para alguém, que não uma pessoa competente, realizar qualquer assistência ou reparação que envolva a remoção de uma tampa que protege contra a exposição à energia do microondas;
- **AVISO:** os líquidos e os outros alimentos não deverão ser aquecidos em recipientes fechados uma vez que eles estão sujeitos a explodir
- **AVISO:** Apenas permita que as crianças utilizem o forno sem ser supervisionadas quando tiverem sido dadas instruções adequadas de forma que a criança seja capaz de utilizar o forno de uma forma segura e compreenda os perigos da utilização inadequada.
- use apenas utensílios que sejam indicados para o uso em fornos de microondas;
- quando aquecer alimentos em recipientes de plástico ou de papel, fique atenta ao forno, devido a possibilidade de se incendiar;
- se observar fumos, desligue a ficha do equipamento da tomada e mantenha a porta fechada para abafar alguma chama;
- o aquecimento de bebidas no microondas pode resultar numa fervura eruptiva retardada, por isso, tenha cuidado ao manusear o recipiente;
- os conteúdos dos biberões e boiões de comida para bebés devem ser revolvidos ou sacudidos e a temperatura verificada antes do consumo, para evitar queimaduras;
- os ovos com casca e ovos cozidos não devem ser aquecidos no forno de microondas, uma vez que podem arrebentar, até mesmo depois do aquecimento no microondas ter terminado;
- o forno deve ser limpo regularmente e qualquer depósito de alimento removido;
- o descuido em não manter o forno em condições de limpeza pode levar a deterioração da superfície, o que pode afectar negativamente a vida do equipamento e possivelmente resultar numa situação perigosa;
- se o cabo de alimentação estiver danificado, deve ser substituído pelo fabricante, pelo seu agente de serviço ou por pessoas igualmente qualificadas afim de evitar perigo.
- A temperatura das superfícies acessíveis poderá estar alta quando o equipamento está em funcionamento.

ESPECIFICAÇÕES

Consumo de energia:	230V~50Hz,1080W
Saída:	700W
Aquecedor da grelha:	800W
Frequência de funcionamento:	2,450MHz
Dimensões externas:	454mm(L) X 330mm(P) X 262mm(A)
Dimensões da cavidade do forno:	315mm(L) X 296mm(P) X 211mm(A)
Capacidade do forno:	20 litros
Peso desembalado:	Aprox. 10,5kg

ANTES DE TELEFONAR PARA A ASSISTÊNCIA TÉCNICA

1. Se o forno não funcionar de modo algum, o visor não aparecer ou desaparecer:
 - a) Certifique-se de que a ficha do forno está ligada seguramente na tomada. Se não estiver, retire a ficha da tomada, aguarde 10 segundos e ligue-a novamente de forma segura.
 - b) Verifique a causa para um fusível queimado ou o disjuntor do quadro disparado. Se estes estiverem a funcionar correctamente, teste a saída com outro equipamento.
2. Se o microondas não ligar:
 - a) Verifique se o temporizador está definido.
 - b) Certifique-se de que a porta está seguramente fechada para activar os dispositivos de bloqueio de segurança. Caso contrário, a energia do microondas não fluirá para dentro do forno.

SE NENHUM DOS CONSELHOS ACIMA REMEDIAR A SITUAÇÃO, CONTACTE A ASSISTÊNCIA TÉCNICA AUTORIZADA.

Nota:

O equipamento é para uso doméstico, para aquecer alimentos e bebidas usando energia electromagnética e apenas para uso interno.

INTERFERÊNCIA DE RÁDIO

O forno microondas pode causar interferência ao seu rádio, TV ou equipamento similar. Se ocorrer interferência, deve ser eliminada ou reduzida através dos seguintes procedimentos:

- a. Limpe a porta e superfície vedante do forno.
- b. Coloque o rádio, a TV, etc., o mais longe possível do microondas.
- c. Use uma antena adequadamente instalada para o seu rádio, TV, etc., para obter uma recepção de sinal forte.

INSTALAÇÃO

1. Certifique-se de que os materiais da embalagem são removidos do interior da porta.
2. Inspeccione o forno após desembalar sobre a algum dano visual, tal como:
 - Porta desalinhada
 - Porta danificada
 - Amolgadelas ou buracos no ecrã e na janela da porta
 - Amolgadelas na cavidadeSe algum dos expostos acima estiver visível, NÃO use o forno.
3. Este forno de microondas pesa 10,5 kg e deverá ser colocado numa superfície horizontal, sólida o suficiente para suportar o seu peso.
4. O forno deve ser colocado longe de altas temperaturas e do vapor.
5. NÃO pouse nada em cima do forno.
6. Mantenha o forno, pelo menos, 18 cm afastado de ambas as paredes laterais e 10 cm da parede traseira para assegurar uma ventilação correcta.
7. NÃO remova o eixo de accionamento do prato giratório.
8. Como com qualquer equipamento, é necessária uma supervisão atenta quando utilizado por crianças.

AVISO- ESTE EQUIPAMENTO DEVERÁ ESTAR LIGADO À TERRA.

1. A tomada deverá ser de fácil acesso em relação ao cabo de alimentação
2. Este forno requer para a sua alimentação 1,2 KVA. É sugerido o aconselhamento com um engenheiro da assistência quando instalar o forno.

CUIDADO: Este forno está protegido internamente por um fusível de 8 Amperes, 250 V CA.

IMPORTANTE

Os fios neste cabo de alimentação são coloridos de acordo com o seguinte código:

Verde e amarelo	: Terra
Azul	: Neutro
Castanho	: Corrente

Como as cores dos fios do cabo de alimentação do equipamento podem não corresponder às marcas coloridas de identificação dos terminais existentes na ficha, proceda do seguinte modo:

O fio de cor verde e amarela deverá ser ligado ao terminal na ficha que está marcado com a letra E ou com o símbolo de terra colorido a verde de verde e amarelo.

O fio de cor azul deverá ser ligado ao terminal que está marcado com a letra N ou com a cor preta.

O fio de cor castanha deverá ser ligado ao terminal que está marcado com a letra L ou com a cor vermelha.

INSTRUÇÕES DE SEGURANÇA IMPORTANTES

- AVISO: Quando o equipamento for operado no modo de combinação, as crianças apenas deverão utilizar o forno sob a supervisão de um adulto devido às temperaturas que são geradas; (Apenas para modelos com a função grelhador)
- AVISO: Se a porta ou os vedantes da mesma estiverem danificados, o forno não deverá ser operado até que tenham sido reparadas por uma pessoa competente;
- AVISO: É perigoso para alguém, que não uma pessoa competente, realizar qualquer assistência ou reparação que envolva a remoção de uma tampa que protege contra a exposição à energia do microondas;
- AVISO: os líquidos e os outros alimentos não deverão ser aquecidos em recipientes fechados uma vez que eles estão sujeitos a explodir.
- AVISO: Apenas permita que as crianças utilizem o forno sem ser supervisionadas quando tiverem sido dadas instruções adequadas de forma que a criança seja capaz de utilizar o forno de uma forma segura e compreenda os perigos da utilização inadequada.
- O forno deve ter circulação de ar suficiente. Mantenha um espaço de 10 cm na parte de trás, 15 cm em ambos os lados e 30 cm a partir da parte de cima do forno. Não retire os pés ao forno, não bloqueie as entradas de ar do forno.
- Use apenas utensílios que sejam indicados para o uso em fornos de microondas;
- Quando aquecer alimentos em recipientes de plástico ou de papel, fique atenta ao forno, devido a possibilidade de se incendiar;
- Se observar fumos, desligue a ficha do equipamento da tomada e mantenha a porta fechada para abafar alguma chama;
- O aquecimento de bebidas no microondas pode resultar numa fervura eruptiva retardada, por isso, tenha cuidado ao manusear o recipiente;
- Os conteúdos dos biberões e boiões de comida para bebés devem ser revolvidos ou sacudidos e a temperatura verificada antes do consumo, para evitar queimaduras;
- Os ovos com casca e ovos cozidos não devem ser aquecidos no forno de microondas, uma vez que podem arrebentar, até mesmo depois do aquecimento no microondas ter terminado;
- Quando limpar as superfícies da porta, o vedante da porta, a cavidade do forno, utilize apenas sabões macios e não abrasivos ou detergentes aplicados com uma esponja o pano macio.
- O forno deve ser limpo regularmente e qualquer depósito de alimento removido;
- Deixar de manter o forno em condições de limpeza pode levar a deterioração da superfície, o que pode afectar negativamente a vida do equipamento e possivelmente resultar numa situação perigosa;
- Se o cabo de alimentação estiver danificado, deve ser substituído pelo fabricante, pelo seu agente de serviço ou por pessoas igualmente qualificadas afim de evitar perigo.

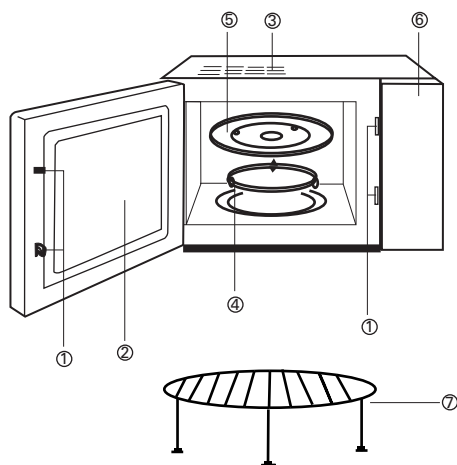
INSTRUÇÕES SOBRE SEGURANÇA PARA O USO GERAL

Como para todos os equipamentos, encontram-se enumeradas a seguir determinadas regras para respeitar e salvaguardas para assegurar o melhor desempenho deste forno:

1. Tenha sempre o prato de vidro, os braços de roletes, o acoplamento e a pista dos roletes no lugar quando funcionar com o forno.
2. Não utilize o forno por qualquer outro motivo que não seja para a preparação de alimentos, tal como secar roupa, papel ou quaisquer outros itens não-alimentares ou para fins de esterilização.
3. Não funcione o forno quando estiver vazio. Isto pode danificá-lo.
4. Não use a cavidade do forno para qualquer tipo de armazenamento, como papéis, livros de cozinha, etc.
5. Não cozinhe nenhum alimento revestido por uma membrana, tal como gema de ovo, batatas, fígado de galinha, etc, sem antes picar várias vezes com um garfo.

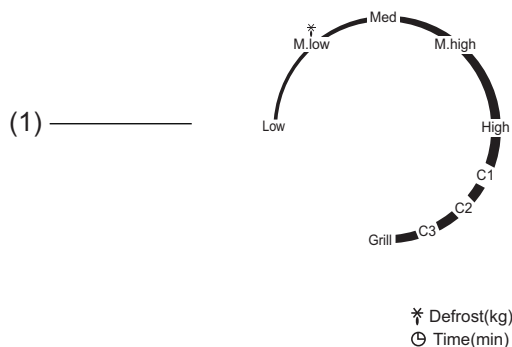
6. Não introduza qualquer objecto nos orifícios da caixa exterior.
7. Jamais remova partes do forno como os pés, o acoplamento, os parafusos, etc.
8. Não coloque os alimentos directamente sobre o prato de vidro. Coloque os alimentos sobre/dentro de um utensílio de cozinhar apropriado antes de os colocar no forno.
9. **IMPORTANTE – UTENSÍLIOS QUE NÃO DEVEM SER UTILIZADOS NO SEU FORNO MICROONDAS**
 Não utilize panelas de metal ou louças com asas metálicas. Não utilize nada com adornos de metal. Não use fios de atar revestidos a papel nos sacos plásticos. Não use louças de melamina, já que contêm um material que pode absorver a energia do microondas. Isto pode fazer com que a louça quebre ou queime e diminuirá a velocidade da cozedura. Não utilize utensílios de cozinha Centura. O material vitrificado não é apropriado para uso no microondas. Copos com a asa fechada Corelle Livingware não devem ser utilizados.
 Não cozinhe num recipiente com uma abertura limitada, tal como uma garrafa de refrigerante ou uma garrafa de óleo para salada, pois podem explodir se aquecidas num forno de microondas. Não utilize termómetros convencionais para doces ou comidas. Existem termómetros disponíveis especificamente para cozeduras no microondas. Esses podem ser utilizados.
10. Os utensílios para o microondas deverão ser utilizados apenas de acordo com as instruções do fabricante.
11. Não tente fritar alimentos neste forno.
12. Por favor, lembre-se de que o forno microondas apenas aquece o líquido contido num recipiente e não o próprio recipiente. Porém, embora o líquido de um recipiente não esteja quente ao toque quando retirado do forno, por favor, lembre-se de que, do mesmo modo que numa cozedura convencional, o alimento/líquido no interior poderá libertar a mesma quantidade de vapor e/ou espirrar quando o líquido é retirado.
13. Teste sempre pessoalmente a temperatura do alimento cozinhado, em especial se estiver a aquecer ou cozinhar alimentos/líquidos para bebés. É aconselhável nunca consumir alimentos/líquidos retirados directamente do forno, mas esperar alguns minutos e mexer o alimento/líquido para distribuir o calor por igual.
14. Os alimentos que contêm uma mistura de gordura e água, por ex: caldos, devem permanecer por 30-60 segundos no forno após o mesmo ter sido desligado. Isto é para permitir que a mistura assente e prevenir o borbulhar quando é colocada uma colher no alimento/líquido ou quando um cubo de caldo é adicionado.
15. Ao preparar/cozinhar alimentos/líquidos, lembre-se de que há certos alimentos, como por exemplo, pudins de Natal, compotas e carne picada, que aquecem muito rapidamente. Quando aquecer ou cozinhar alimentos com alto teor de gordura ou açúcar, não use recipientes plásticos.
16. O utensílio de cozinha pode ficar quente devido ao calor transferido do alimento aquecido. Isto acontece especialmente se cobrir o topo e as pegas do utensílio com película transparente. Pode precisar de luvas de cozinha para segurar o utensílio.
17. Para reduzir o risco de fogo na cavidade do forno:
 - (a) Não cozinhe os alimentos em excesso. Preste bastante atenção ao forno microondas se forem colocados papel, plástico ou outro material combustível dentro do forno para facilitar a cozedura.
 - (b) Retire os fios de atar dos sacos antes de colocar os sacos no forno.
 - (c) Se os materiais dentro do forno forem passíveis de se incendiar, mantenha a porta do forno fechada, desligue o forno da tomada ou desligue a alimentação do fusível ou do painel do interruptor do circuito.

DIAGRAMA DE CARACTERÍSTICAS



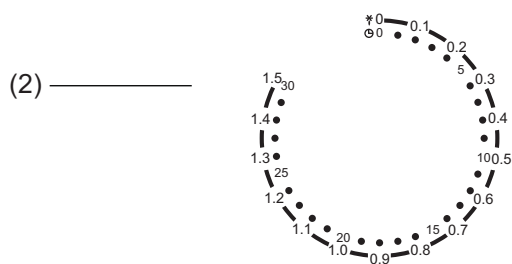
- (1) Sistema de bloqueio de segurança da porta
- (2) Janela do forno
- (3) Tubo de ventilação do forno
- (4) Anel de roletes
- (5) Prato de vidro
- (6) Painel de controlo
- (7) Armação do grelhador

PAINEL DE CONTROLO



(1) Controlo de selecção da potência

(2) Temporizador-0-30 Minutos



Baixa: Saída da potência 17%

M. Baixa: Saída da potência 33%

Méd: Saída da potência 55%

M. Alta: Saída da potência 77%

Alta: Saída da potência 100%

C1: Saída da potência 17%+Saída de potência do grelhador 83%

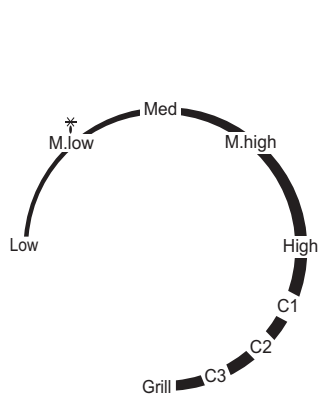
C2: Saída da potência 28%+Saída de potência do grelhador 72%

C3: Saída da potência 40%+Saída de potência do grelhador 60%

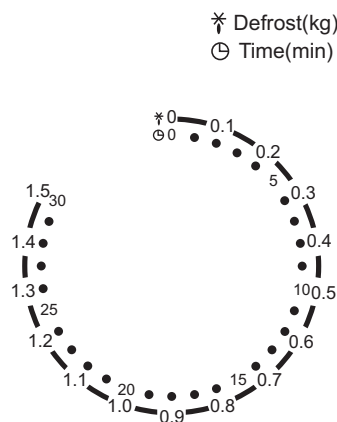
Grelhador: Saída da potência do grelhador 100%

Instruções de funcionamento

Para definir um programa de cozedura: Coloque o alimento sobre o prato giratório de vidro dentro do forno e feche a porta.



Rode o botão de controlo da potência para o nível de potência correcto.



Seleccione o tempo correcto de cozedura, usando o temporizador

Nota: O forno começará a cozinhar o alimento quando o temporizador é ligado.

Se o tempo que precisa para a cozedura for menor do que 5 minutos, rode o temporizador 5 minutos para a frente e depois volte para o tempo correcto.

COLOQUE SEMPRE O TEMPORIZADOR PARA A POSIÇÃO ZERO quando o alimento é retirado do forno, mesmo que o tempo definido para a cozedura não tenha sido completado.

PARAR O FORNO: Rode o temporizador para a posição zero. Se a porta do forno for aberta durante a cozedura, o forno microondas parará automaticamente de funcionar; a cozedura continuará após fechar a porta. Se o tempo de cozedura remanescente não for necessário, coloque o temporizador para a posição zero antes de fechar a porta.

CUIDADOS COM O SEU FORNO MICROONDAS

1. Desligue o forno e retire a ficha da tomada de parede antes de limpeza.
2. Mantenha o interior do forno limpo. Quando salpicos de comida ou derrame de líquidos aderirem às paredes do forno, limpe com um pano húmido. Não é recomendado o uso de abrasivos ou detergentes fortes.
3. A superfície exterior do forno deve ser limpa com um pano húmido. Para evitar danos às partes funcionais no interior do forno, não permita que a água esorra para dentro dos orifícios de ventilação.
4. Não deixe que o painel de controlo fique húmido. Limpe com um pano húmido e macio. Não utilize detergentes, abrasivos ou limpadores em aerossol no painel de controlo.
5. Se o vapor acumular dentro ou à volta da porta do forno, limpe com um pano macio. Isto pode ocorrer quando o forno microondas é operado sob condições de alta humidade e de maneira alguma indica mau funcionamento da unidade.
6. Ocasionalmente, é necessário retirar o prato de vidro para limpeza. Lave o prato em água morna com sabão ou na máquina de lavar louça.
7. O anel de roletes e a base da cavidade do forno devem ser limpos regularmente para evitar o ruído excessivo. Limpe apenas a superfície inferior do forno com detergente neutro, água ou limpador de vidro e seque. O anel de roletes deve ser lavado com água e sabão neutro ou na máquina de lavar louça. Os vapores da cozedura acumulam-se durante o uso repetido, mas de modo algum afectam a superfície posterior ou o anel de roletes. Quando retirar o anel de roletes da base da cavidade para limpeza, certifique-se de o colocar depois na posição correcta.
8. Remova os odores do seu forno, misturando um copo de água com o sumo e a casca de um limão numa tigela funda apropriada para microondas. Aqueça por 5 minutos, limpe completamente e seque com um pano macio.
9. Quando for necessário substituir a lâmpada do forno, consulte um vendedor para tal efeito.