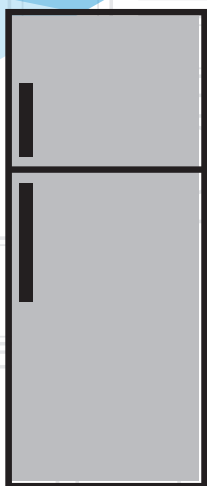


Refrigerator

User manual



RDSE465K31W
RDSE465K30W

EN | FR | DE | FL

beko

Please read this manual before using the product!

Dear Customer,

We'd like you to make the best use of our product, which has been manufactured in modern facilities with care and meticulous quality controls.

Thus, we advise you to read the entire user manual before you use the product. In case the product changes hands, do not forget to hand the guide to its new owner along with the product.

This guide will help you use the product quickly and safely.

- Please read the user guide carefully before installing and operating the product.
- Always observe the applicable safety instructions.
- Keep the user guide within easy reach for future use.
- Please read any other documents provided with the product.

Keep in mind that this user guide may apply to several product models. The guide clearly indicates any variations of different models.

	Important information and useful tips.
	Risk of life and property.
	Risk of electric shock.
	The product's packaging is made of recyclable materials, in accordance with the National Environment Legislation.

1 Safety and environment instructions

1.1. General safety	3
1.1.1 HC warning	5
1.1.2 For models with water dispenser	5
1.2. Intended use	5
1.3. Child safety	6
1.4. Compliance with WEEE Directive and Disposing of the Waste Product	6
1.5. Compliance with RoHS Directive	6
1.6. Package information	6

2 Your Refrigerator

3 Installation

3.1. Right place for installation	8
3.2. Adjusting the feet	9
3.3. Electrical connection	9
3.4. Changing door opening direction	9
3.5. Reversing the doors	10
3.6. Reversing the doors	11

4 Preparation

4.1. Actions to be taken to save energy	12
4.2. First use	12

5 Use of the Product

5.1. Temperature adjustment knob	13
5.2. Fast freezing	13
5.3. Holiday function	14
5.4. Snow defrosting	14
5.5. Door Open Warning	15
5.6. Ice tray	16
5.7. Egg tray	16
5.8. Fan	16
5.9. Crisper	16

6 Maintenance and cleaning

6.1. Preventing malodour	17
6.2. Protecting plastic surfaces	17

7 Troubleshooting

1

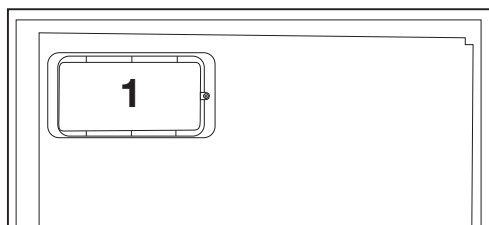
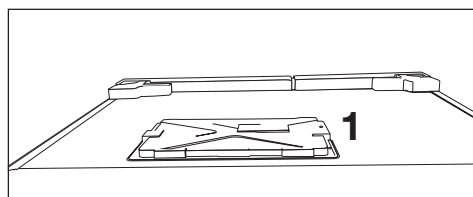
Safety and environment instructions

This section provides the safety instructions necessary to prevent the risk of injury and material damage. Failure to observe these instructions will invalidate all types of product warranty.

1.1. General safety

- This product should not be used by persons with physical, sensory and mental disabilities, without sufficient knowledge and experience or by children. The device can only be used by such persons under supervision and instruction of a person responsible for their safety. Children should not be allowed to play with this device.
- In case of malfunction, unplug the device.
- After unplugging, wait at least 5 minutes before plugging in again.
- Unplug the product when not in use.
- Do not touch the plug with wet hands! Do not pull the cable to plug off, always hold the plug.
- Wipe the power plug's tip with a dry cloth before plugging in.
- Do not plug in the refrigerator if the socket is loose.

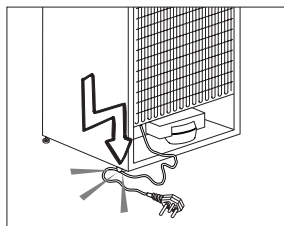
- Unplug the product during installation, maintenance, cleaning and repair.
- If the product will not be used for a while, unplug the product and remove any food inside.
- Do not use the product when the compartment with circuit cards located on the upper back part of the product (electrical card box cover) (1) is open.



- Do not use steam or steamed cleaning materials for cleaning the refrigerator and melting the ice inside. Steam may contact the electrified areas and cause short circuit or electric shock!
- Do not wash the product by spraying or pouring water on it! Danger of electric shock!

Safety and environmental instructions

- In case of malfunction, do not use the product, as it may cause electric shock. Contact the authorized service before doing anything.
- Plug the product into an earthed socket. Earthing must be done by a qualified electrician.
- If the product has LED type lighting, contact the authorized service for replacing or in case of any problem.
- Do not touch frozen food with wet hands! It may adhere to your hands!
- Do not place liquids in bottles and cans into the freezer compartment. They may burst out!
- Place liquids in upright position after tightly closing the lid.
- Do not spray flammable substances near the product, as it may burn or explode.
- Do not keep flammable materials and products with flammable gas (sprays, etc.) in the refrigerator.
- Do not place containers holding liquids on top of the product. Splashing water on an electrified part may cause electric shock and risk of fire.
- Exposing the product to rain, snow, sunlight and wind will cause electrical danger. When relocating the product, do not pull by holding the door handle. The handle may come off.
- Take care to avoid trapping any part of your hands or body in any of the moving parts inside the product.
- Do not step or lean on the door, drawers and similar parts of the refrigerator. This will cause the product to fall down and cause damage to the parts.
- Take care not to trap the power cable.



Safety and environmental instructions

1.1.1 HC warning

If the product comprises a cooling system using R600a gas, take care to avoid damaging the cooling system and its pipe while using and moving the product. This gas is flammable. If the cooling system is damaged, keep the product away from sources of fire and ventilate the room immediately.



The label on the inner left side indicates the type of gas used in the product.

1.1.2 For models with water dispenser

- Pressure for cold water inlet shall be maximum 120 psi (8 bar). If your water pressure exceeds 80 psi (5.5 bar), use a pressure limiting valve in your mains system. If you do not know how to check your water pressure, ask for the help of a professional plumber.
- If there is risk of water hammer effect in your installation, always use a water hammer prevention equipment in your installation. Consult Professional plumbers if you are not sure that there is no water hammer effect in your installation.
- Do not install on the hot water inlet. Take precautions against the risk of freezing of the hoses. Water temperature operating interval shall be 33°F (0.6°C) minimum and 100°F (38°C) maximum.
- Use drinking water only.

1.2. Intended use

- This product is designed for home use. It is not intended for commercial use.
- The product should be used to store food and beverages only.
- Do not keep sensitive products requiring controlled temperatures (vaccines, heat sensitive medication, medical supplies, etc.) in the refrigerator.
- The manufacturer assumes no responsibility for any damage due to misuse or mishandling.

Safety and environmental instructions

- The product's bench life is 10 years. The spare parts necessary for the product to function will be available for this period.

1.3. Child safety

- Keep packaging materials out of children's reach.
- Do not allow the children to play with the product.
- If the product's door comprises a lock, keep the key out of children's reach.

1.4. Compliance with WEEE Directive and Disposing of the Waste Product

This product complies with EU WEEE Directive (2012/19/EU). This product bears a classification symbol for waste electrical and electronic equipment (WEEE).



This product has been manufactured with high quality parts and materials which can be reused and are suitable for recycling. Do not dispose of the waste product with normal domestic and other wastes at the end of its service life. Take it to the collection center for the recycling of electrical and electronic equipment. Please consult your local authorities to learn about these collection centers.

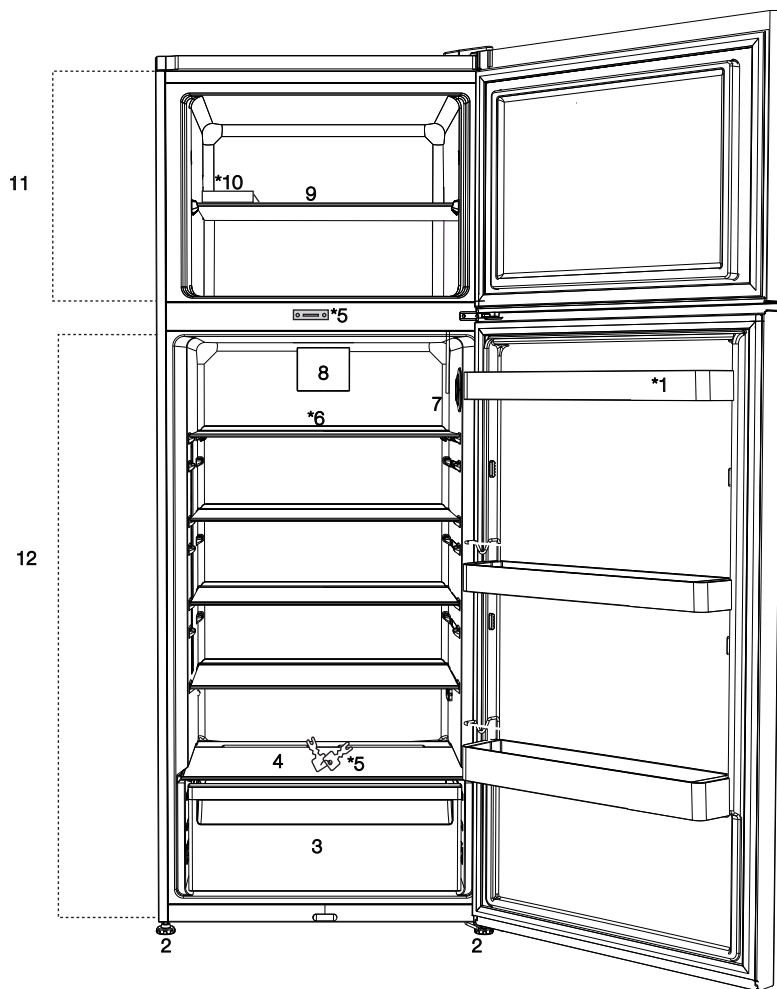
1.5. Compliance with RoHS Directive

- This product complies with EU WEEE Directive (2011/65/EU). It does not contain harmful and prohibited materials specified in the Directive.

1.6. Package information

- Packaging materials of the product are manufactured from recyclable materials in accordance with our National Environment Regulations. Do not dispose of the packaging materials together with the domestic or other wastes. Take them to the packaging material collection points designated by the local authorities.

2 Your Refrigerator



1. Door shelf
2. Adjustable feet
3. Crisper
4. Crisper cover
5. Lock and key *
6. Refrigerator compartment glass shelf
7. Temperature adjustment knob
8. Fan
9. Freezer compartment shelf
10. Ice tray
11. Freezer compartment
12. Fridge compartment



***optional:** Figures that take place in this user manual are samples and may not correspond exactly with your product. If the subject parts are not included in the product you have purchased, then the figure is valid for other models.

3.1. Right place for installation

Call the Authorized Service Provider for installation of the product. To make the product ready for use, be careful that the electrical wiring and plumbing are appropriate by referring to the information in the user manual. If not, call a qualified electrician and plumber and have the necessary arrangements made.



WARNING: The manufacturer is not liable for damages caused by operations by unauthorized persons.



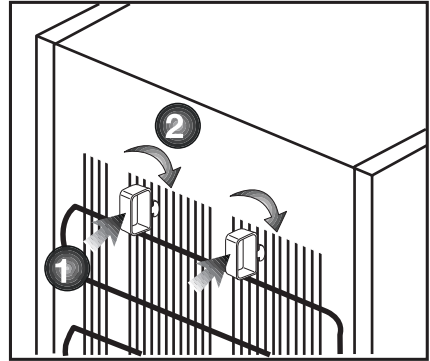
WARNING: During the installation, the power plug of the product should not be plugged in. Otherwise, there is a danger of death or serious injury!



WARNING: : If the doorway of the room to where the product will be placed is so narrow that the product cannot pass through, pass the product by turning it to side; otherwise, call an authorized service.

- To avoid shaking, place the product on a flat surface.
- Install the product at least 30 cm away from heat sources such as cooker, radiators, stove and at least 5 cm away from electrical oven.
- Do not expose the product to direct sunlight and do not store it in humid place.
- A suitable air circulation should be around the product so that it can work efficiently. If the product will be placed in a recessed wall, take care that there is at least 5 cm of space between the ceiling and the side walls.
- Do not install the product where the temperature drops below 10 °C.

- Attach 2 plastic wedges as illustrated below. Plastic wedges are intended to keep the distance which will ensure the air circulation between your refrigerator and the wall. (The picture is drawn up as a representation and it is not identical with your product.)



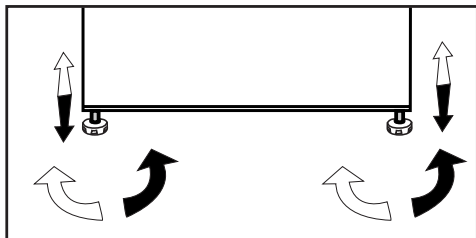
- Condenser of your refrigerator is on the rear side. In order to increase the energy efficiency by minimizing the power consumption, the upper part of the condenser on the rear side of the product must be pulled backwards and locked as shown in the figure. When the condenser is pulled back, the right and left upper holders are locked and the position of the condenser is fixed.



Installation

3.2. Adjusting the feet

If the product is unstable on the place where it is placed, adjust it by turning the front adjustment feet to the right or left.



3.3. Electrical connection



WARNING: Do not make connections to the extension cords or multiple sockets.



WARNING: Damaged power cable must be replaced by an Authorized Service.



If two refrigerators are placed side by side, there should be at least 4 cm space between them.

3.4. Changing door opening direction

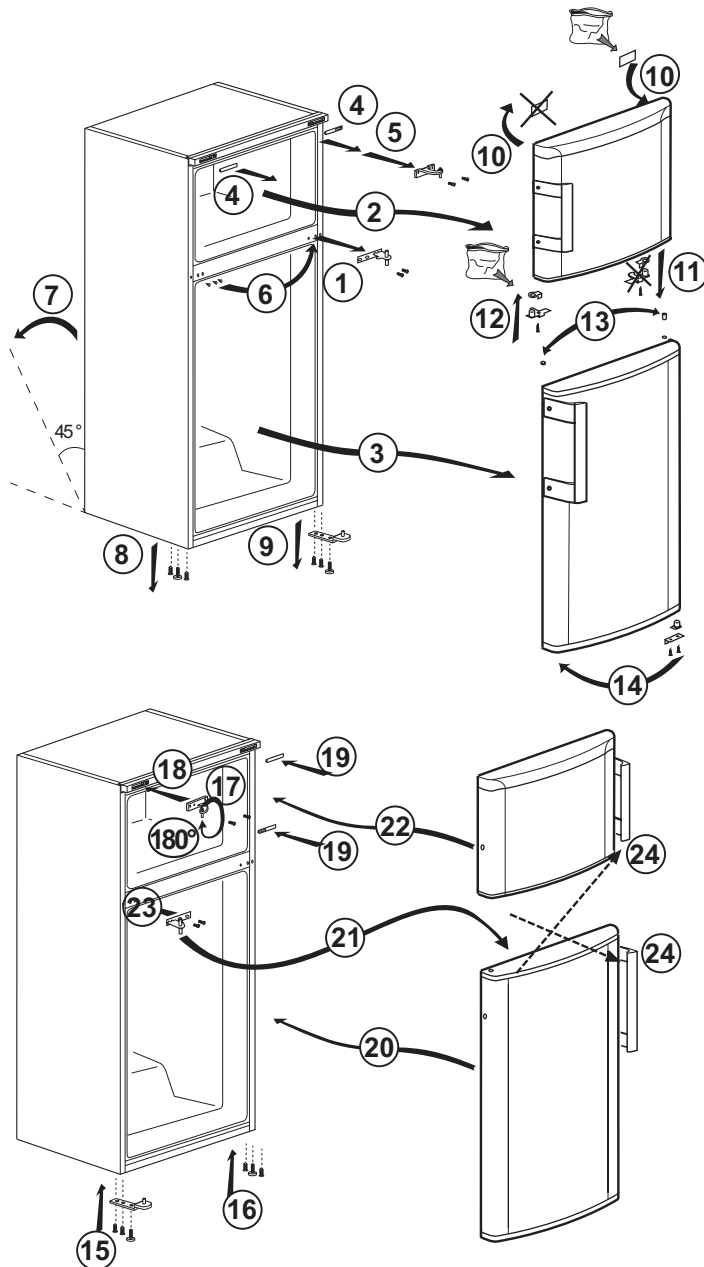
Based on where you use, your refrigerator's door opening direction can be changed. When you need this, please contact your nearest Authorized Service Point.

- Our company will not be liable for any damages that occur when the product is used without grounding and electrical connections that are according to national regulations.
- The power cord plug must be easily accessible after installation.
- Connect your refrigerator to an outlet with a ground line with 220-240V/50 Hz voltage. Plugs should have a 10-16 A fuse.
- Do not use multi-group socket with or without extension cable in between your refrigerator and the wall outlet.

Installation

3.5. Reversing the doors

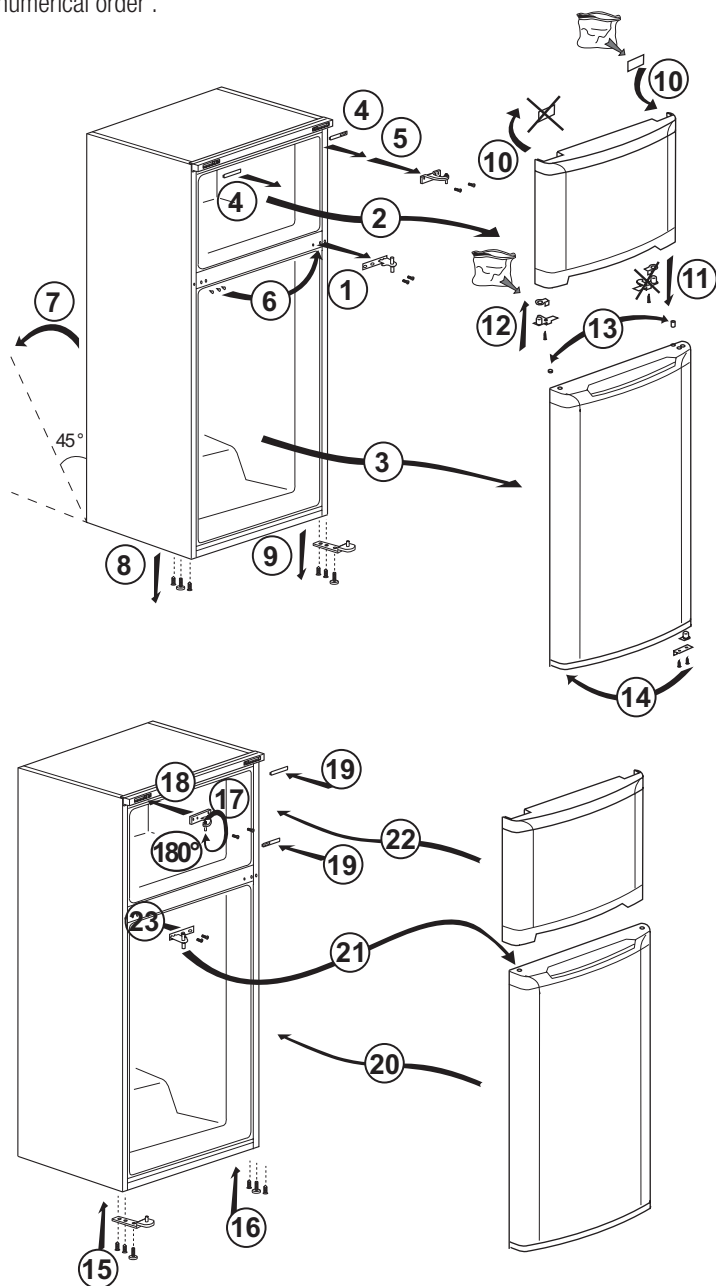
Proceed in numerical order .



Installation

3.6. Reversing the doors

Proceed in numerical order .



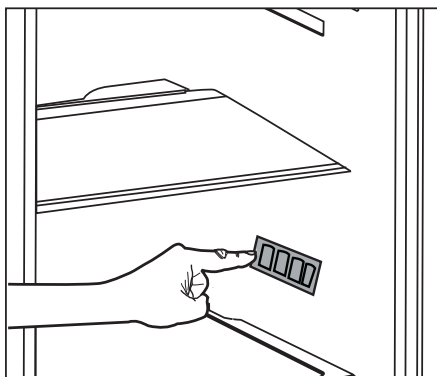
4.1. Actions to be taken to save energy



Connecting the product to electronic energy-saving system is inconvenient as this may damage the product.

- Do not leave the doors of the product open for a long time.
- Do not put hot food or drinks in the product.
- Do not overfill the product. When the inlet air circulation is reduced, its cooling capacity is prevented.
- Put your food in the product in closed containers.
- You can store maximum amount of food items in the freezer compartment of the product when you remove the shelf of the freezer. Energy consumption value stated for the product has been determined by removing freezer shelf and under maximum food load. There is no harm to use a shelf according to the shapes and size of food to be frozen.
- Defrosting the frozen food in fridge compartment will both provide energy saving and preserve the food quality.
- This device is designed to operate at ambient temperatures up to 43°C (90 °F). It is equipped with Advanced Electronic Temperature Control System allowing to keep the frozen food in the freezer defrost even the ambient temperature reduces to -15 °C. When first installed the product **MUST NOT** be placed in low ambient temperatures.
- The baskets/drawers that are provided with the chill compartment must always be in use for low energy consumption and for better storage conditions.
- Food contact with the temperature sensor in the freezer compartment may increase energy consumption of the appliance. Thus any contact with the sensor(s) must be avoided.

- Do not contact the foods to the fridge compartment temperature sensor indicated in the figure below.



4.2. First use

Before you start using your refrigerator, make sure that preparations are made according to the instructions in the “Safety and environmental instructions” and “Installation” sections.

- Run the product empty without putting food for 6 hours and do not open the door unless necessary.



You will hear a sound when the compressor starts. The liquids and gases compressed within the cooling system may produce sound even if the compressor is not running and that sound is normal.



The front edges of the product may be hot. This is normal. These areas are designed to be heated to prevent condensation.

5.1. Temperature adjustment knob

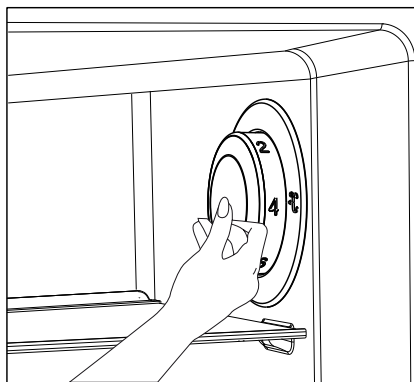
The internal temperature of your refrigerator will vary due to the following reasons:

- Seasonal temperatures,
- Frequently opening the door and the door remaining open for a long time,
- Dishes put hot in your refrigerator before cooling down to room temperature,
- The location of the refrigerator in the room (such as exposure to the sun's heat).
- You can adjust the internal temperature which varies due to these reasons by the adjustment knob.

The numbers around the adjustment knob shows the degree of temperature as "°C".

If the ambient temperature is 25 °C, it is recommended to use the temperature adjustment knob of the refrigerator at 4 °C.

In other ambient temperatures, this value can be increased or decreased according to need.



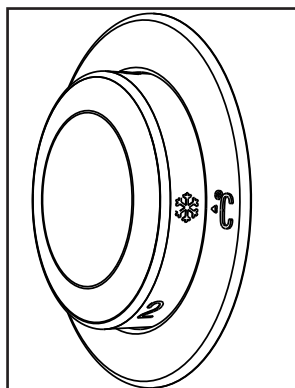
5.2. Fast freezing

If you want to freeze large quantities of fresh food, put the temperature adjustment knob to (❄) position 24 hours before putting the food in the fast freezing compartment.

In order to freeze maximum amount of fresh food specified as the freezing capacity, it is recommended to keep the knob in this position for at least 24 hours.


Pay particular attention to not mixing food sold as frozen and the fresh food.

Once the food is frozen, remember to bring the temperature adjustment knob to its previous position.



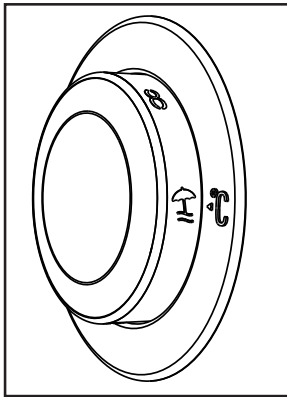
Use of the Product

5.3. Holiday function

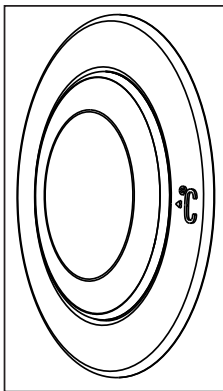
If the doors of the product is not opened for at least 12 hours after the temperature adjustment knob is put to the warmest () position, Holiday function will be activated automatically.

To cancel the function, the adjustment of the knob must be changed.

When the holiday function is active, storing food in the fridge compartment is not recommended.



- After adjustment process is complete, you can hide the temperature adjustment knob by pushing it in.



5.4. Snow defrosting

During the cooling of your refrigerator, water droplets and snow up to 7-8 mm thickness are formed on the inside back wall of the fridge compartment. This formation is normal due to the cooling system.

The snow formed in the fridge compartment is defrosted at regular intervals by means of the automatic defrost system contained in the interior rear wall. Therefore, there is no need of scraping snow and cleaning water droplets by the user.

The water formed by defrosting flows to the evaporating dish on the rear of your refrigerator and spontaneously evaporates here.

The water flows to the evaporating dish via a drain pipe contained in the inner back wall. Check whether the drain pipe is blocked at specific time intervals and if blocked, open.



To avoid deterioration of the frozen food in the freezer compartment, no defrosting is performed automatically. The snow formed in the freezer compartment should be defrosted every 6 months.

For snow defrosting process, it is primarily necessary to stop the operation of your refrigerator. To do this, unplug the power plug. Empty the freezer compartment. Keep your frozen food in a cool place during the snow defrosting process.

The door of the freezer compartment should be kept closed during the defrosting process.

Use of the Product

When the snow formed is completely defrosted, take the water collected in the freezer compartment with an absorbent cloth or sponge and dry.

To run your product re-connect the power plug.



WARNING: To speed up the defrosting in your refrigerator, never use materials such as candles, gas lamps and heaters.



Before putting your food back in the freezer compartment run for 2 hours with the doors closed and empty.

5.5. Door Open Warning (This feature is optional)

An audio warning signal will be given when the door of your product is left open for at least 1 minute. This warning will be muted when the door is closed or any of the display buttons (if any) are pressed.

Door open warning is given to user both visually and acoustically. If the warning continues for 10 minutes, interior lights will be turned off.

Use of the Product

5.6. Ice tray

- Remove the ice tray from the freezer compartment.
- Fill the ice tray with water.
- Place the ice tray in the freezer compartment. The ice is ready after about two hours.
- Remove the ice tray from the freezer compartment and slightly bend it over the ice cap in which you will serve the ice. The ice will be easily poured into the service cap.

5.7. Egg tray

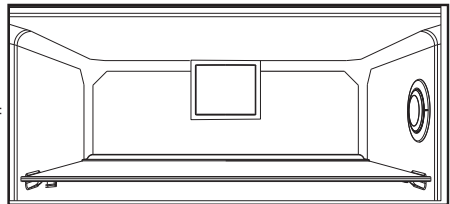
You can put the egg tray on any door or body shelf you want. If to be placed in the body shelf, it is recommended to prefer the bottom cold shelves.



Never put the egg tray in the freezer compartment.

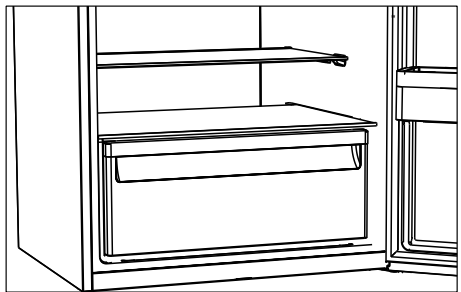
5.8. Fan

Fan is designed to ensure that the cold air in your refrigerator is dissolved and distributed homogeneously. Fan operation time may vary depending on the properties of your product. While in some products fan only works with the compressor, in some products, the control system determines the time when it will work according to the cooling requirements.



5.9. Crisper

Crisper of the product is specially designed to protect the vegetable as fresh without losing its moisture. For this purpose, cold air circulation throughout the crisper is concentrated.



Cleaning the product regularly will prolong its service life.



WARNING: Disconnect the power before cleaning the refrigerator.

6.2. Protecting plastic surfaces

Oil spilled on plastic surfaces may damage the surface and must be cleaned immediately with warm water.

- Do not use sharp and abrasive tools, soap, house cleaning materials, detergents, gas, gasoline, varnish and similar substances for cleaning.
- Melt a teaspoonful of carbonate in the water. Moisten a piece of cloth in the water and wring out. Wipe the device with this cloth and dry off thoroughly.
- Take care to keep water away from the lamp's cover and other electrical parts.
- Clean the door using a wet cloth. Remove all items inside to detach the door and chassis shelves. Lift the door shelves up to detach. Clean and dry the shelves, then attach back in place by sliding from above.
- Do not use chloric water or cleaning products on the exterior surface and chrome-coated parts of the product. Chlorine will cause rust on such metallic surfaces.
- Do not use sharp, abrasive tools, soap, household cleaning agents, detergents, kerosene, fuel oil, varnish etc. to prevent removal and deformation of the prints on the plastic part. Use lukewarm water and a soft cloth for cleaning and then wipe it dry.

6.1. Preventing malodour

The product is manufactured free of any odorous materials. However, keeping the food in inappropriate sections and improper cleaning of internal surfaces may lead to malodour.

To avoid this, clean the inside with carbonated water every 15 days.

- Keep the foods in sealed holders.
Microorganisms may spread out of unsealed food items and cause malodour.
- Do not keep expired and spoilt foods in the refrigerator.

Check this list before contacting the service. Doing so will save you time and money. This list includes frequent complaints that are not related to faulty workmanship or materials. Certain features mentioned herein may not apply to your product.

The refrigerator is not working.

- The power plug is not fully settled. >>> Plug it in to settle completely into the socket.
- The fuse connected to the socket powering the product or the main fuse is blown. >>> Check the fuses.

Condensation on the side wall of the cooler compartment (MULTI ZONE, COOL, CONTROL and FLEXI ZONE).

- The environment is too cold. >>> Do not install the product in environments with temperatures below -5°C.
- The door is opened too frequently >>> Take care not to open the product's door too frequently.
- The environment is too humid. >>> Do not install the product in humid environments.
- Foods containing liquids are kept in unsealed holders. >>> Keep the foods containing liquids in sealed holders.
- The product's door is left open. >>> Do not keep the product's door open for long periods.
- The thermostat is set to too low temperature. >>> Set the thermostat to appropriate temperature.

Compressor is not working.

- In case of sudden power failure or pulling the power plug off and putting back on, the gas pressure in the product's cooling system is not balanced, which triggers the compressor thermic safeguard. The product will restart after approximately 6 minutes. If the product does not restart after this period, contact the service.
- Defrosting is active. >>> This is normal for a fully-automatic defrosting product. The defrosting is carried out periodically.
- The product is not plugged in. >>> Make sure the power cord is plugged in.
- The temperature setting is incorrect. >>> Select the appropriate temperature setting.
- The power is out. >>> The product will continue to operate normally once the power is restored.

The refrigerator's operating noise is increasing while in use.

- The product's operating performance may vary depending on the ambient temperature variations. This is normal and not a malfunction.

The refrigerator runs too often or for too long.

- The new product may be larger than the previous one. Larger products will run for longer periods.
- The room temperature may be high. >>> The product will normally run for long periods in higher room temperature.
- The product may have been recently plugged in or a new food item is placed inside. >>> The product will take longer to reach the set temperature when recently plugged in or a new food item is placed inside. This is normal.
- Large quantities of hot food may have been recently placed into the product. >>> Do not place hot food into the product.
- The doors were opened frequently or kept open for long periods. >>> The warm air moving inside will cause the product to run longer. Do not open the doors too frequently.
- The freezer or cooler door may be ajar. >>> Check that the doors are fully closed.
- The product may be set to temperature too low. >>> Set the temperature to a higher degree and wait for the product to reach the adjusted temperature.
- The cooler or freezer door washer may be dirty, worn out, broken or not properly settled. >>> Clean or replace the washer. Damaged / torn door washer will cause the product to run for longer periods to preserve the current temperature.

Troubleshooting

The freezer temperature is very low, but the cooler temperature is adequate.

- The freezer compartment temperature is set to a very low degree. >>> Set the freezer compartment temperature to a higher degree and check again.

The cooler temperature is very low, but the freezer temperature is adequate.

- The cooler compartment temperature is set to a very low degree. >>> Set the freezer compartment temperature to a higher degree and check again.

The food items kept in cooler compartment drawers are frozen.

- The cooler compartment temperature is set to a very low degree. >>> Set the freezer compartment temperature to a higher degree and check again.

The temperature in the cooler or the freezer is too high.

- The cooler compartment temperature is set to a very high degree. >>> Temperature setting of the cooler compartment has an effect on the temperature in the freezer compartment. Wait until the temperature of relevant parts reach the sufficient level by changing the temperature of cooler or freezer compartments.
- The doors were opened frequently or kept open for long periods. >>> Do not open the doors too frequently.
- The door may be ajar. >>> Fully close the door.
- The product may have been recently plugged in or a new food item is placed inside. >>> This is normal. The product will take longer to reach the set temperature when recently plugged in or a new food item is placed inside.
- Large quantities of hot food may have been recently placed into the product. >>> Do not place hot food into the product.

Shaking or noise.

- The ground is not level or durable. >>> If the product is shaking when moved slowly, adjust the stands to balance the product. Also make sure the ground is sufficiently durable to bear the product.
- Any items placed on the product may cause noise. >>> Remove any items placed on the product.

The product is making noise of liquid flowing, spraying etc.

- The product's operating principles involve liquid and gas flows. >>> This is normal and not a malfunction.

There is sound of wind blowing coming from the product.

- The product uses a fan for the cooling process. This is normal and not a malfunction.

There is condensation on the product's internal walls.

- Hot or humid weather will increase icing and condensation. This is normal and not a malfunction.
- The doors were opened frequently or kept open for long periods. >>> Do not open the doors too frequently; if open, close the door.
- The door may be ajar. >>> Fully close the door.

There is condensation on the product's exterior or between the doors.

- The ambient weather may be humid, this is quite normal in humid weather. >>> The condensation will dissipate when the humidity is reduced.

The interior smells bad.

Troubleshooting

- The product is not cleaned regularly. >>> Clean the interior regularly using sponge, warm water and carbonated water.
- Certain holders and packaging materials may cause odour. >>> Use holders and packaging materials without free of odour.
- The foods were placed in unsealed holders. >>> Keep the foods in sealed holders. Micro-organisms may spread out of unsealed food items and cause malodour. Remove any expired or spoilt foods from the product.

The door is not closing.

- Food packages may be blocking the door. >>> Relocate any items blocking the doors.
- The product is not standing in full upright position on the ground. >>> Adjust the stands to balance the product.
- The ground is not level or durable. >>> Make sure the ground is level and sufficiently durable to bear the product.

The vegetable bin is jammed.

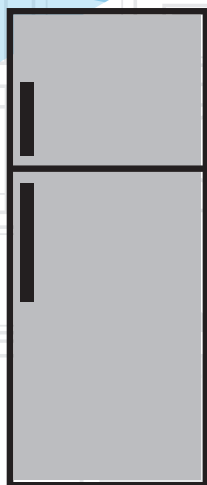
- The food items may be in contact with the upper section of the drawer. >>> Reorganize the food items in the drawer.



WARNING: If the problem persists after following the instructions in this section, contact your vendor or an Authorized Service. Do not try to repair the product.

Congélateur / Réfrigérateur

Manuel d'utilisation



FRI

beko

Veillez d'abord lire ce manuel d'utilisation !

Chère cliente, cher client,

Nous aimerions que vous soyez entièrement satisfait de notre appareil, fabriqué dans des infrastructures modernes et ayant fait l'objet d'un contrôle de qualité minutieux.

À cet effet, veuillez lire en intégralité le manuel d'utilisation avant d'utiliser cet appareil, et conservez-le pour références ultérieures. Si vous offrez cet appareil à une autre personne, remettez-lui également le manuel d'utilisation.

Le manuel d'utilisation garantit l'utilisation rapide et sécurisée du réfrigérateur.

- Veuillez lire le manuel d'utilisation avant d'installer et d'utiliser le réfrigérateur,
- Respectez toujours les instructions de sécurité en vigueur,
- Tenez le manuel d'utilisation à portée pour références ultérieures,
- Veuillez lire tous les autres documents fournis avec l'appareil,

Veillez noter que ce manuel d'utilisation peut se rapporter à plusieurs modèles de cet appareil. Le manuel indique clairement toutes les différences entre les modèles.

Symboles et commentaires

Les symboles suivants sont utilisés dans le manuel d'utilisation :

	Informations importantes et renseignements utiles,
	Avertissement relatif aux conditions dangereuses pour la vie et la propriété,
	Risque d'électrocution,
	L'emballage de l'appareil a été fabriqué à partir de matériaux recyclables, conformément à la législation nationale en matière d'environnement,

1 Instructions en matière de sécurité et d'environnement 3

- 1.1. Consignes générales de sécurité 3
 - 1.1.1 Avertissement HC 5
 - 1.1.2 Pour les modèles avec distributeur d'eau . . 6
- 1.2. Utilisation préconisée. 6
- 1.3. Sécurité des enfants 7
- 1.4. Conformité avec la directive DEEE et mise au rebut de votre ancien appareil 7
- 1.5. Conformité avec la directive LdSD 7
- 1.6. Informations relatives à l'emballage 7

2 Votre réfrigérateur 8

3 L'installation 9

- 3.1. L'emplacement correct pour l'installation . . . 9
- 3.2. Le rajustement des pieds 10
- 3.3. Le branchement électrique 10
- 3.4. La modification de la direction d'ouverture de la porte 10
- 3.5. Réversibilité des portes 11
- 3.6. Réversibilité des portes 12

4 La préparation préliminaire 13

- 4.1. Ce qu'il faut faire pour la conservation d'énergie. 13
- 4.2. L'usage initial 13

5 L'utilisation du produit 14

- 5.1. Le bouton de réglage de température 14
- 5.2. La surgélation. 14
- 5.3. Le mode vacances 15
- 5.4. Le dégivrage. 15
- 5.5. Avertissement - Porte ouverte 16
- 5.6. Le bac à glaçons. 17
- 5.7. Le panier à œufs. 17
- 5.8. Le ventilateur 17
- 5.9. Le bac à légumes. 17

6 Entretien et nettoyage 18

- 6.1. Prévention des mauvaises odeurs 18
- 6.2. Protection des surfaces en plastique 18

7 Dépannage 19

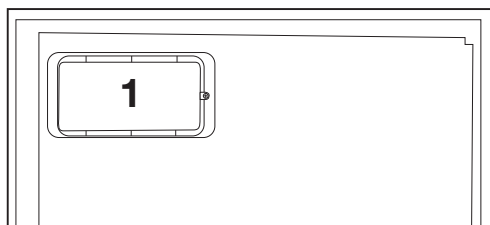
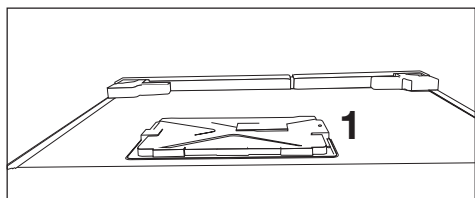
1 Instructions en matière de sécurité et d'environnement

Cette section fournit les instructions de sécurité nécessaires à la prévention des risques de blessures ou de dommage matériel. Le non-respect de ces instructions annule tous les types de garantie de l'appareil.

1.1. Consignes générales de sécurité

- Cet appareil ne doit pas être utilisé par des personnes atteintes de déficience physique, sensorielle ou mentale, des personnes sans connaissances suffisantes et inexpérimentées ou par des enfants. Il ne doit être utilisé par ces personnes que si elles sont supervisées ou sous les instructions d'une personne responsable de leur sécurité. Ne laissez pas les enfants jouer avec l'appareil.
- En cas de dysfonctionnement, débranchez l'appareil.
- Après avoir débranché l'appareil, patientez 5 minutes avant de le rebrancher.
- Débranchez l'appareil lorsqu'il n'est pas utilisé.
- Évitez de toucher le cordon d'alimentation avec des mains humides ! Ne le débranchez jamais en tirant le câble, mais plutôt en tenant la prise.
- Nettoyez la fiche du câble d'alimentation à l'aide d'un chiffon sec, avant de le brancher.
- Évitez de brancher le réfrigérateur lorsque la prise est instable.
- Débranchez l'appareil pendant l'installation, l'entretien, le nettoyage et la réparation.
- Si l'appareil ne sera pas utilisé pendant une longue période, débranchez-le et videz l'intérieur.
- Évitez d'utiliser l'appareil lorsque le compartiment équipé des cartes de circuits situé sur la partie supérieure de l'appareil (couvercle du boîtier de la carte d'alimentation) (1) est ouvert.

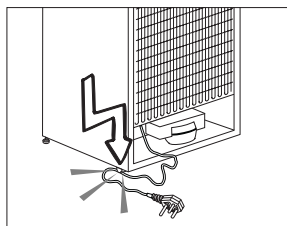
Les consignes de sécurité et d'environnement



- N'utilisez pas la vapeur ou de matériel de nettoyage à vapeur pour nettoyer le réfrigérateur et faire fondre la glace. La vapeur peut atteindre les zones électrifiées et causer un court-circuit ou l'électrocution !
- Ne lavez pas l'appareil par pulvérisation ou aspersion d'eau ! Risque d'électrocution !
- En cas de dysfonctionnement, n'utilisez pas l'appareil car il peut entraîner une électrocution. Contactez le service agréé avant de procéder à toute intervention.
- Branchez votre appareil à une prise de mise à la terre. La mise à la terre doit être effectuée par un technicien qualifié.
- Si l'appareil possède un éclairage de type DEL, contactez le service agréé pour tout remplacement ou en cas de problème.
- Évitez de toucher les aliments congelés avec des mains humides ! Ils pourraient coller à vos mains !
- Ne placez pas de boissons en bouteille ou en canette dans le compartiment de congélation. Elles risquent d'exploser !
- Placez les boissons verticalement, dans des récipients convenablement fermés.
- Ne pulvérisez pas de substances contenant des

Les consignes de sécurité et d'environnement

- gaz inflammables près du réfrigérateur pour éviter tout risque d'incendie et d'explosion.
- Ne conservez pas de substances et produits inflammables (vaporisateurs, etc.) dans le réfrigérateur.
 - Ne placez pas de récipients contenant des liquides au-dessus du réfrigérateur. Les projections d'eau sur des pièces électrifiées peuvent entraîner des électrocutions et un risque d'incendie.
 - L'exposition du produit à la pluie, à la neige, au soleil et au vent présente des risques pour la sécurité électrique. Quand vous transportez le réfrigérateur, ne le tenez pas par la poignée de la porte. Elle peut se casser.
 - Évitez que votre main ou toute autre partie de votre corps ne se retrouve coincée dans les parties amovibles de l'appareil.
- Évitez de monter ou de vous appuyer contre la porte, les tiroirs ou toute autre partie du réfrigérateur. Cela peut faire tomber l'appareil et l'endommager.
 - Évitez de coincer le câble d'alimentation.



1.1.1 Avertissement HC

Si votre réfrigérateur possède un système de refroidissement utilisant le gaz R600a, évitez d'endommager le système de refroidissement et sa tuyauterie pendant l'utilisation et le transport de l'appareil. Ce gaz est inflammable. Si le système de refroidissement est endommagé, éloignez l'appareil des flammes et aérez la pièce immédiatement.

Les consignes de sécurité et d'environnement



L'étiquette sur la paroi intérieure gauche de l'appareil indique le type de gaz utilisé.

1.1.2 Pour les modèles avec distributeur d'eau

- La pression de l'eau froide à l'entrée ne doit pas excéder 90 psi (6.2 bar). Si votre pression d'eau dépasse 80 psi (5,5 bar), utilisez une soupape de limitation de pression sur votre réseau de conduite. Si vous ne savez pas comment vérifier la pression de l'eau, demandez l'assistance d'un plombier professionnel.
- S'il existe un risque d'effet coup de bélier sur votre installation, utilisez systématiquement un équipement de protection contre l'effet coup de bélier sur celle-ci. Consultez des plombiers professionnels si vous n'êtes pas sûr de la

présence de cet effet sur votre installation.

- Ne l'installez pas sur l'entrée d'eau chaude. Prenez des précautions contre le risque de congélation des tuyaux. L'intervalle de fonctionnement de la température des eaux doit être de 33 F (0,6°C) au moins et de 100 F (38 C) au plus.
- Utilisez uniquement de l'eau potable.

1.2. Utilisation préconisée

- Cet appareil est exclusivement conçu pour un usage domestique. Il n'est pas destiné à un usage commercial.
- Il doit être exclusivement utilisé pour le stockage des denrées et des boissons.
- Les produits qui nécessitent un contrôle de température précis (vaccins, médicaments sensibles

Les consignes de sécurité et d'environnement

à la chaleur, matériels médicaux, etc.) ne doivent pas être conservés dans le réfrigérateur.

- Le fabricant ne sera pas tenu responsable de tout dommage résultant d'une mauvaise utilisation ou manipulation.
- La durée de vie du produit est de 10 ans. Les pièces de rechange indispensables au bon fonctionnement de l'appareil seront disponibles au cours de cette période.

1.3. Sécurité des enfants

- Conservez les matériaux d'emballage hors de la portée des enfants.
- Ne laissez pas les enfants jouer avec l'appareil.
- Si la porte de l'appareil est dotée d'une serrure, gardez la clé hors de la portée des enfants.

1.4. Conformité avec la directive DEEE et mise au rebut de votre ancien appareil

Ce produit est conforme à la directive DEEE (2012/19/UE) de l'Union européenne. Il porte un symbole de classification pour la mise au rebut des équipements électriques et électroniques (DEEE).



Le présent produit a été fabriqué avec des pièces et du matériel de qualité supérieure susceptibles d'être réutilisés et adaptés au recyclage. Ne le mettez pas au rebut avec les ordures ménagères et d'autres déchets à la fin de sa

durée de vie. Rendez-vous dans un point de collecte pour le recyclage de tout matériel électrique et électronique. Rapprochez-vous des autorités de votre localité pour plus d'informations concernant ces points de collecte.

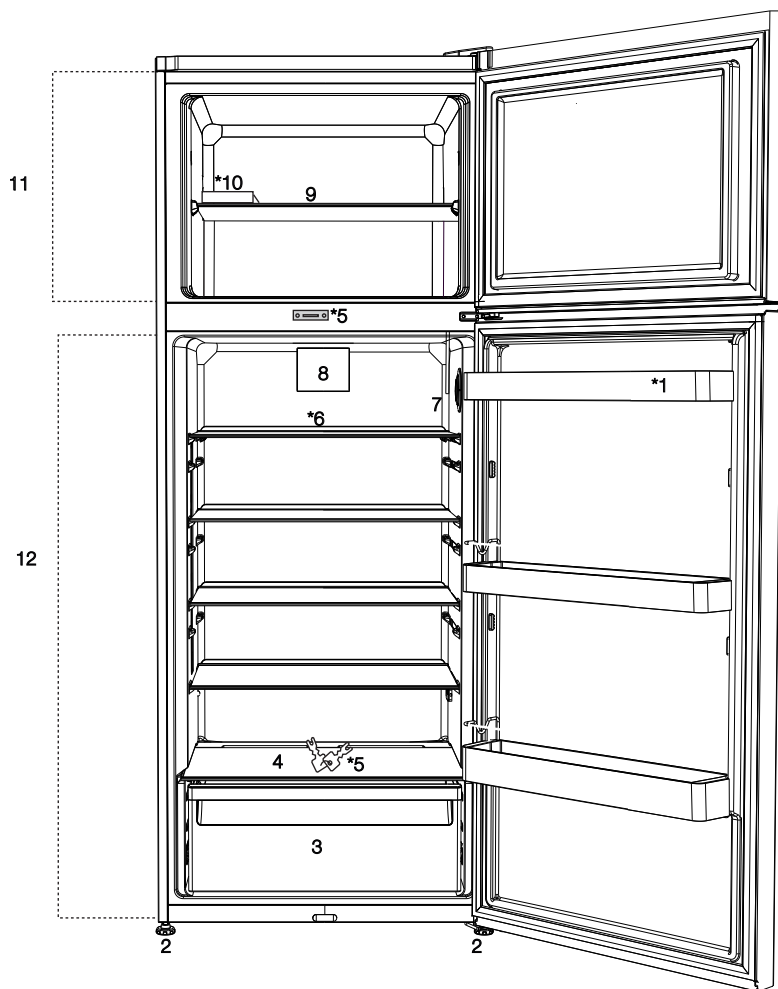
1.5. Conformité avec la directive LdSD

- Ce produit est conforme à la directive DEEE (2011/65/UE) de l'Union européenne. Il ne comporte pas de matériaux dangereux et interdits mentionnés dans la directive.

1.6. Informations relatives à l'emballage

- Les matériaux d'emballage de cet appareil sont fabriqués à partir de matériaux recyclables, conformément à nos réglementations nationales en matière d'environnement. Ne mettez pas les matériaux d'emballage au rebut avec les ordures ménagères et d'autres déchets. Amenez-les aux points de collecte des matériaux d'emballage, désignés par les autorités locales.

2 Votre réfrigérateur



1. Le balconnet
2. Les pieds réglables
3. Le bac à légumes
4. Le capot du bac à légumes
5. La serrure et la clé *
6. La clayette en verre du compartiment réfrigérant
7. Le bouton de réglage de température
8. Le ventilateur
9. La clayette du compartiment congélateur
10. Le bac à glaçons
11. Le compartiment congélateur
12. Le compartiment réfrigérant



***optionnel:** Les figures figurant dans ce guide d'utilisation sont fournies à titre indicatif et peuvent ne pas être identiques à votre produit. La figure est valide pour des autres modèles, si des pièces correspondantes au produit que vous avez acheté sont absentes.

3 L'installation

3.1. L'emplacement correct pour l'installation

Appelez le service agréé pour l'installation du produit. Afin de rendre le produit, paré pour l'usage, prêtez de l'attention à ce que l'installation électrique et l'installation d'eau soient convenables en se référant aux renseignements sur le guide d'utilisation. Si non, faites effectuer les arrangements requis en faisant appel à un électricien et plombier compétent.



AVERTISSEMENT: La société fabricante n'est pas responsable des dégâts que les opérations réalisées par des personnes non autorisées peuvent engendrer.



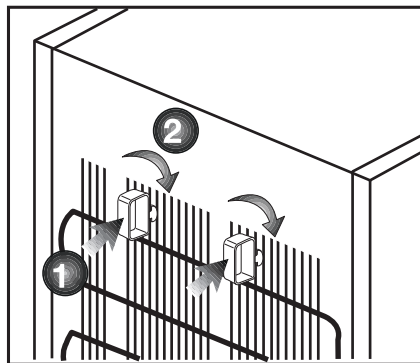
AVERTISSEMENT: la fiche doit être non branchée sur la au cours de l'installation du produit électrique. Sans quoi, il existe un danger de décès ou blessure grave!



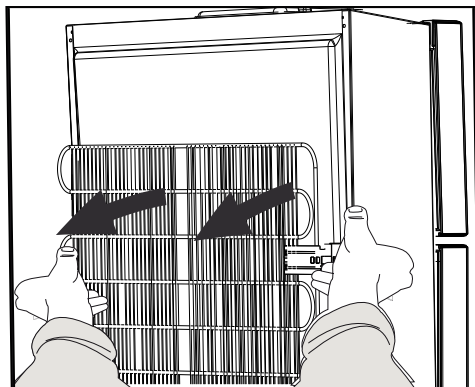
AVERTISSEMENT: Reconstituez le produit enlevant la porte de la chambre et en basculant le produit, si la baie de la porte dans la quelle le produit sera placé au point que le produit ne pourrait pas passer à travers; appelez le service agréé si ça s'avère impossible.

- Posez le produit sur un fond plat afin de prévenir les secousses.
- Installez le produit, à un écart 30 cm d'au moins des sources calorifiques, comme des radiateurs de chauffage et poêles, et à 5 cm d'au moins des fours électriques.
- N'exposez pas le produit aux rayons solaires directes et ne le maintenez pas dans un endroit humide.
- Une circulation d'air convenable devra être requise aux alentours du produit, afin que ce dernier puisse fonctionner efficacement. Prêtez de l'attention à ce qu'il y a un dégagement d'au moins de 5 cm entre le plafond et les murs latéraux si vous allez implanter le produit à un recoin dans le mur.
- N'installez pas le produit dans des environnements où la température descende au dessous de 10°C.

- Vous pouvez installer les 2 cales en plastique comme illustré dans le schéma. Les cales en plastique maintiendront la distance nécessaire entre votre Congélateur / réfrigérateur et le mur pour permettre une bonne circulation de l'air. (Le schéma présenté est fourni à titre indicatif et peut ne pas correspondre exactement avec votre produit.)



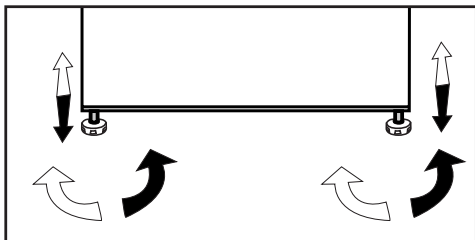
- Le condensateur de votre réfrigérateur se trouve sur la partie antérieure. Il faut que la partie supérieure du condensateur, derrière le produit soit retirée en arrière comme constaté sur la figure et fermer à clef pour que le rendement énergétique soit accru en réduisant la consommation en énergie au moindre possible. Les supports en haut à gauche et à droite sont verrouillés quand le condensateur est retiré vers l'arrière et la position du condensateur est ainsi fixée.



L'installation

3.2. Le rajustement des pieds

Ajustez les pieds de réglage à l'avant, en les pivotant vers la gauche ou la droite si le produit demeure déséquilibré à l'emplacement que vous l'avez posé.



3.3. Le branchement électrique

	AVERTISSEMENT: ne réalisez pas le branchement par des câbles d'allongement ou bien des prises multiples.
	AVERTISSEMENT: Les câbles électriques endommagés doivent être remplacés par le service agréé.
	Une espace d'au moins de 4 cm doit être répartie si deux frigidaires sont placés côte à côte.

- Notre entreprise ne sera pas responsable des dégâts, survenant en cas de l'utilisation du produit, sans la réalisation de la mise à terre et le branchement électrique compatibles aux règlements nationaux.
- La fiche des câbles électriques doit être facilement accessible à la suite de l'installation.
- Connectez votre réfrigérateur à une prise dont la valeur de voltage est de 220-240V /50 Hz, disposant une ligne de mise à terre. La prise doit être avoir une fusible de valeur de 10-16A.
- Faites usage de la prise au groupe multiple avec ou sans câble d'allongement entre votre réfrigérateur et la prise murale.

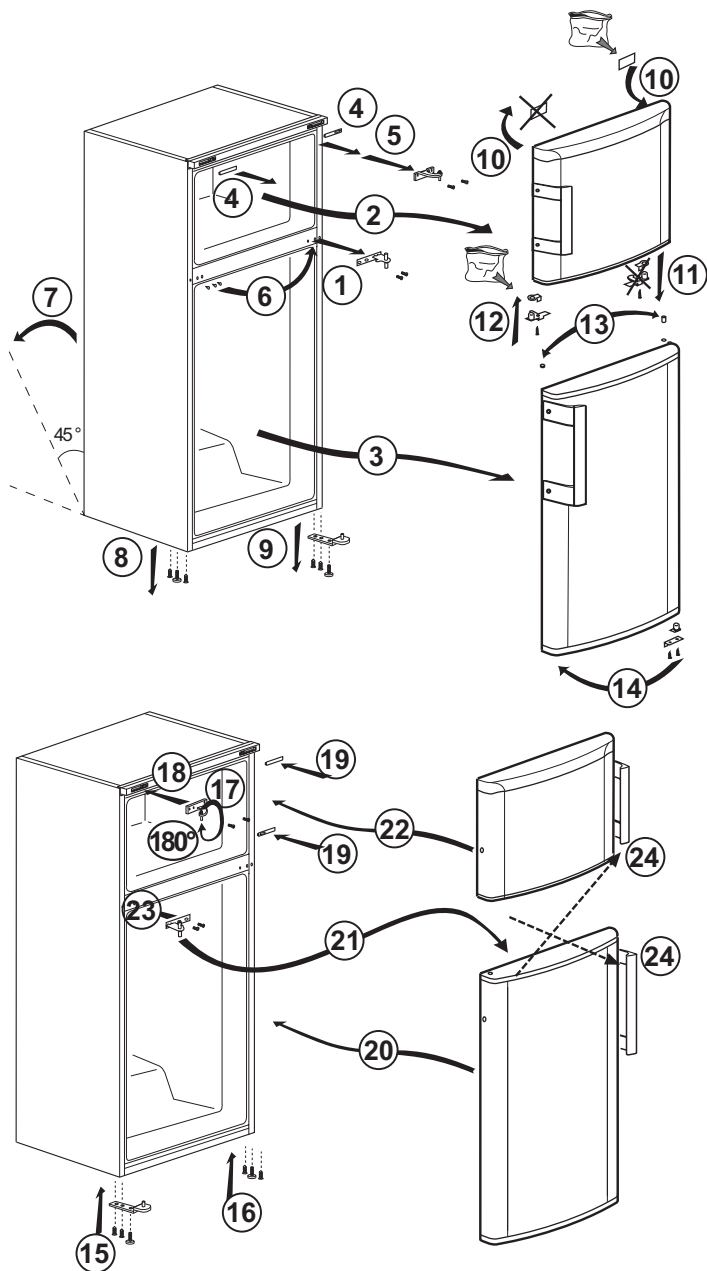
3.4. La modification de la direction d'ouverture de la porte

La direction d'ouverture de la porte de votre réfrigérateur est modifiable selon la location que vous employez. Adressez-vous inmanquablement au service agréé le plus proche chez vous lorsque vous en avez besoin.

L'installation

3.5. Réversibilité des portes

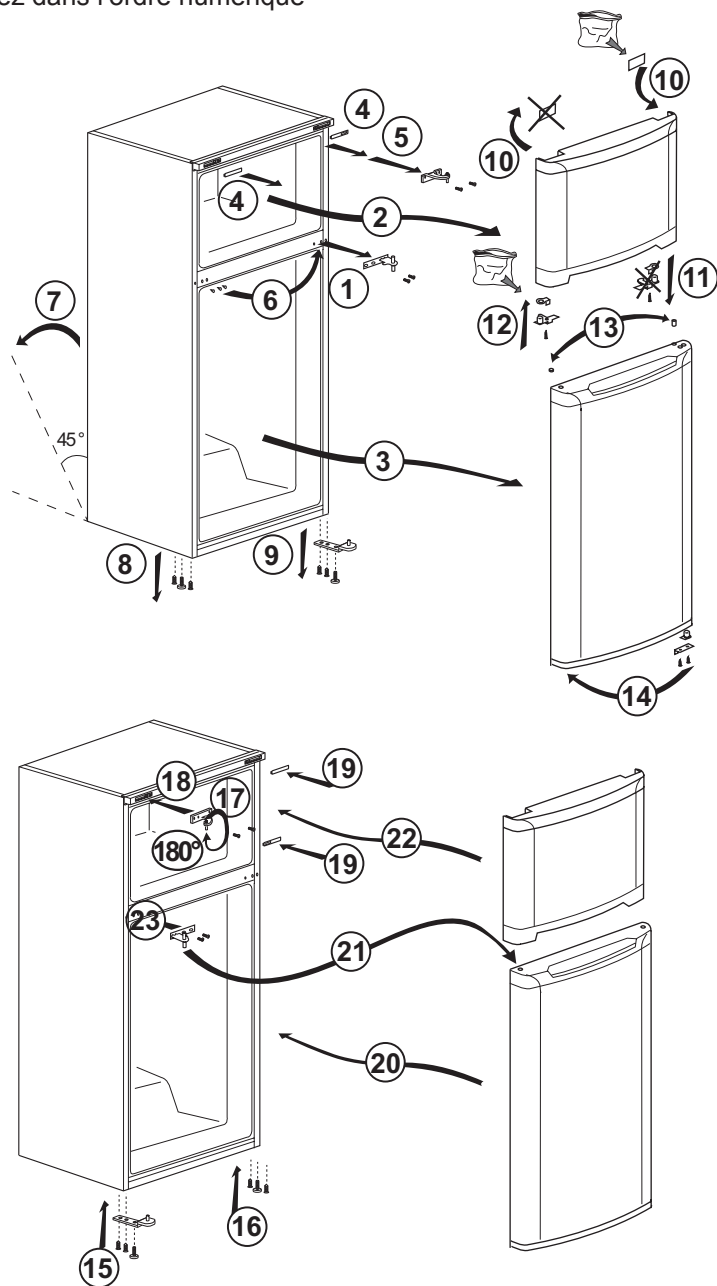
Procédez dans l'ordre numérique



L'installation

3.6. Réversibilité des portes

Procédez dans l'ordre numérique



4 La préparation préliminaire

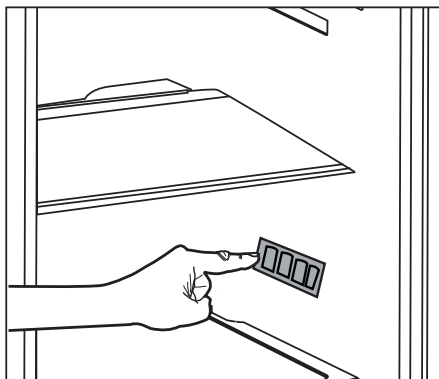
4.1. Ce qu'il faut faire pour la conservation d'énergie



La connexion du produit électronique sur les systèmes d'économie en énergie est préjudiciable, comme elle peut nuire au produit.

- Ne laissez pas les portes du produit ouvertes pour longtemps.
- Ne déposez pas d'aliment ou breuvage chaude dans le produit.
- Ne comblez pas le produit excessivement. Sa capacité de refroidissement chute, lorsque la circulation d'air dedans est empêchée.
- Déposez vos provisions dans des récipients fermés à l'intérieur du produit.
- Vous pouvez charger de vivres en quantité maximale au compartiment congélateur du produit en retirant la clayette du compartiment congélateur. La consommation énergétique déclarée du produit est déterminée, sans tenant la clayette du compartiment congélateur en compte et chargé au maximum de provisions. Il n'existe pas un inconvénient quant à l'utilisation de clayette et ce, en fonction de la forme et le volume des aliments à surgeler.
- Votre dégivrage des aliments surgelés au niveau du compartiment réfrigérant va non seulement assurer l'économie d'énergie mais aussi préserver la qualité des victuailles.
- Ce dispositif est conçu de la manière à pouvoir fonctionner aux températures d'ambiance allant jusqu'à 43 °C (90 °F). Il est doté du système électronique avancé de contrôle de température, assurant l'absence le dégel des provisions surgelés au congélateur, même si la température d'ambiance chute jusqu'à -15 °C'. Le produit NE DOIT PAS ETRE PLACE aux températures d'ambiance basses quand il est installé initialement.
- Les paniers/tiroirs fournis avec le compartiment rafraîchissement doivent être utilisés de manière continue pour une consommation énergétique minimale et de meilleures conditions de conservation.

- Le contact entre le capteur de température et les denrées alimentaires à l'intérieur du compartiment de congélation peut augmenter la consommation énergétique de l'appareil. Pour cette raison, les contacts avec les capteurs doivent être évités.
- Ne laissez pas les provisions contacter le capteur de température du compartiment réfrigérant, indiqué sur la figure en bas.



4.2. L'usage initial

Rassurez-vous que les préparations aptes aux consignes dans le chapitre "des consignes de sécurité et d'environnement" et "l'installation" sont exécutées, avant d'amorcer l'utilisation de votre réfrigérateur.

- Faites marcher le produit vide pendant 6 heures, sans y mettre des provisions et n'ouvrez pas la porte sans cela est strictement requise.



Vous allez entendre un son quand le compresseur se met en marche. Les fluides et gazes, foulés dans le système de refroidissement peut faire de bruit, même si le compresseur ne marche pas et c'est normal.



Les bords antérieurs du produit peuvent être chauds. C'est normal. Ces espaces sont conçues de façon à se chauffer afin de prévenir la condensation.

5.1. Le bouton de réglage de température

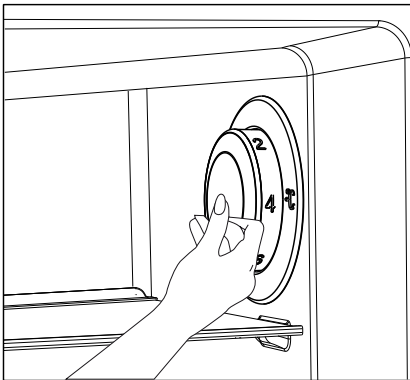
La température interne de votre réfrigérateur peut varier à cause des raisons, spécifiées ci-dessous:

- Les températures saisonnières,
- L'ouverture fréquente de sa porte et qu'elle reste dans cette position pour longtemps,
- Les mets, déposés dans votre réfrigérateur sans avoir été abaissé à la température ambiante,
- La position du réfrigérateur dans la chambre (tel qu'il soit exposé aux rayons solaires).
- Vous pouvez ajuster la température interne, variant du fait de telles raisons, à travers du bouton de réglage.

Les chiffres au voisinage du bouton de réglage indiquent les degrés de température en "°C".

Il est recommandé de se servir du bouton de réglage de température du réfrigérateur à la position de 4°C si la température ambiante est de 25°C.

Cette valeur peut être réduite ou bien accrue en fonction du besoin aux autres températures ambiantes.



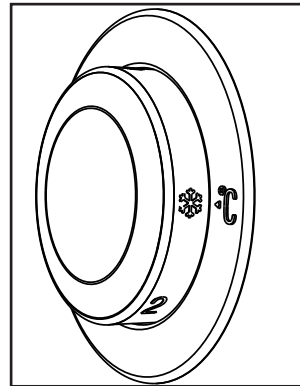
5.2. La surgélation

Ramenez le bouton de réglage de température à la position de (❄️) 24 heures avant de mettre les aliments dans le compartiment de surgélation, si vous désirez de surgeler d'aliments frais en grande quantité.

Il est recommandé de maintenir le bouton pour 24 heures au moins à cette position, afin de surgeler l'aliment frais en quantité maximale, spécifié en tant que la capacité de congélation.


Prêtez de l'attention particulière à ce que les aliments vendus comme surgelés et les aliments frais ne se mélangent pas.

N'oubliez pas de ramener le bouton de réglage de température à sa position précédente après que les provisions soient surgelées.



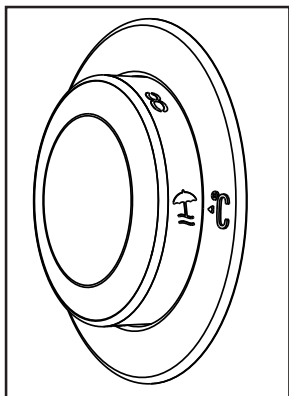
L'utilisation du produit

5.3. Le mode vacances

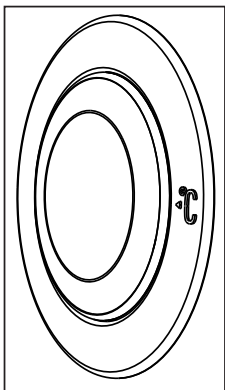
Le mode vacances va automatiquement intervenir, si les portes du produit ne sont pas ouvertes pour au moins 12 heures après que le bouton de réglage de température est ramené à la position la plus chaude ().

Le réglage de bouton doit être altéré afin d'invalider la fonction.

Il n'est pas recommandé de garder des aliments dans le compartiment réfrigérant lorsque le mode vacances est actif.



- Vous pouvez pourvoir que le bouton de réglage de température soit enfoui en poussant sur lui, après avoir achevé l'opération de réglage.



5.4. Le dégivrage

Des gouttelettes d'eau et du dépôt de glace allant jusqu'à 7-8 mm. de l'épaisseur se forment sur la paroi du compartiment réfrigérant, lors du refroidissement de votre réfrigérateur. Cette formation est normale en vertu du système de refroidissement.

La glace formée au niveau du compartiment réfrigérant est dégivrée aux intervalles réguliers grâce au système de dégivrage automatique, situé sur la paroi interne postérieure. De ce fait, il n'est pas nécessaire que la neige soit grattée et que gouttelettes d'eau soient déblayées par l'utilisateur.

L'eau accumulée en conséquence de la fonte coule vers le bol d'évaporation, se trouvant sur l'arrière de votre réfrigérateur et s'évapore là-bas d'elle-même.

L'eau déverse dans le bol d'évaporation à l'aide du tuyau d'évacuation, situé sur la paroi interne postérieure. Vérifiez si le tuyau d'évacuation ait obstruée ou non aux périodicités définies et désengorgez si bouché.



Le dégivrage n'est pas effectué automatiquement au niveau du compartiment congélateur afin que les aliments surgelés ne se détériorent pas. Les glaces formées dans le compartiment congélateur doit être dégivrées tous les 6 mois.

Il faut que vous arrêtez le fonctionnement de votre réfrigérateur au préalable pour l'opération de dégivrage. Pour ce faire, débranchez la fiche électrique de la prise.

Videz le compartiment congélateur. Conservez vos provisions surgelées dans une location fraîche au cours de l'opération de dégivrage. La porte du compartiment congélateur doit être maintenue fermée lors du dégivrage.

L'utilisation du produit

Puisez et essuyez l'eau accumulée dans le compartiment congélateur avec un chiffon ou éponge absorbant, quand la glace formée soit entièrement fondue.

Rebranchez la fiche électrique afin de votre produit mettre en marche.



AVERTISSEMENT: N'utilisez surtout pas de matériaux tels que bougie, lampe à pétrole et chauffe-électrique pour accélérer le dégivrage au niveau de votre réfrigérateur.



Faites le marcher pour 2 heures en vide et les portes à la position fermées, avant de remettre vos provisions dans le compartiment congélateur.

5.5. Avertissement - Porte ouverte (Cette caractéristique est en option)

Un signal d'avertissement sonore retentit lorsque la porte du réfrigérateur reste ouverte pendant au moins 1 minute. Cet avertissement s'arrête en refermant la porte ou en appuyant sur n'importe quel bouton de l'affichage.

L'avertissement de 'la porte ouverte' est également montré à l'utilisateur visuel et audio. Si l'avertissement continue pendant 10 minutes, l'éclairage intérieure s'éteint.

L'utilisation du produit

5.6. Le bac à glaçons

- Retirez le bac à glaçons du compartiment congélateur.
- Remplissez le bac à glaçons avec de l'eau.
- Logez Le bac à glaçons dans le compartiment congélateur. Le glaçon est prêt dans approximativement deux heures.
- retirez le bac à glaçons du compartiment congélateur pliez –le légèrement sur le bol dans le quel vous allez servir les glaçons. Les glaçons seront aisément déversés dans le bol de service.

5.7. Le panier à œufs

Vous pouvez mettre le panier à œufs dans la porte ou clayette que vous préférez. Il est recommandé que les clayettes inférieures qui sont plus froides soient préférées si on va les mettre dans la clayette.

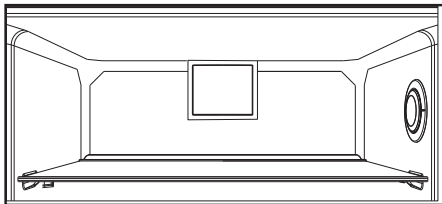


Ne placez le panier à œufs absolument pas dans le compartiment congélateur.

5.8. Le ventilateur

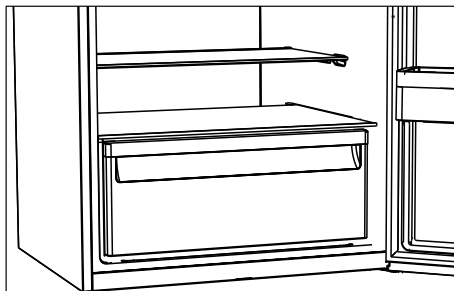
Le ventilateur est conçu afin d'assurer la diffusion et la circulation homogène de l'air fraîche à l'intérieur de votre réfrigérateur. Le délai de fonctionnement du ventilateur peut varier selon les caractéristiques de votre produit.

Tandis que le ventilateur marche uniquement de concert avec le compresseur au niveau de certains produits, le système de contrôle détermine le délai pour le quel il va marcher en fonction du besoin de refroidissement.



5.9. Le bac à légumes

Le bac à légumes du produit est conçu notamment pour la préservation fraîche des légumes, sans que celles-ci ne perdent leur moiteur. A cet effet, la circulation d'air froide est concentrée sur l'intégralité du bac à légumes.



Le nettoyage régulier du produit prolonge sa durée de vie.



AVERTISSEMENT: Débranchez l'alimentation avant de nettoyer le réfrigérateur.

- N'utilisez jamais d'outils pointus et abrasifs, de savon, de produits nettoyage domestiques, d'essence, de carburant, du cirage ou des substances similaires pour le nettoyage du produit.
- Faites dissoudre une cuillerée à café de carbonate dans de l'eau. Trempez un morceau de tissu dans cette eau et essorez-le. Nettoyez soigneusement l'appareil avec ce chiffon et ensuite avec un chiffon sec.
- Veillez à ne pas mouiller le logement de la lampe ainsi que d'autres composants électriques.
- Nettoyez la porte à l'aide d'un torchon humide. Retirez tous les aliments de l'intérieur afin de démonter la porte et les étagères du châssis. Relevez les étagères de la porte pour les démonter. Nettoyez et séchez les étagères, puis refixez-les en les faisant glisser à partir du haut.
- N'utilisez pas d'eau contenant du chlore, ou des produits de nettoyage pour les surfaces externes et les pièces chromées de l'appareil. Le chlore entraîne la corrosion de ce type de surfaces métalliques.

- Évitez d'utiliser des objets tranchants ou abrasifs, du savon, des produits ménagers de nettoyage, des détergents, de l'essence, du benzène, de la cire, ect. ; autrement, les marques sur les pièces en plastique pourraient s'effacer et les pièces elles-mêmes pourraient présenter des déformations. Utilisez de l'eau tiède et un torchon doux pour nettoyer et sécher.

6.1. Prévention des mauvaises odeurs

À sa sortie d'usine, cet appareil ne contient aucun matériau odorant. Cependant; la conservation des aliments dans des sections inappropriées et le mauvais nettoyage de l'intérieur peuvent donner lieu aux mauvaises odeurs.

Pour éviter cela, nettoyez l'intérieur à l'aide de carbonate dissout dans l'eau tous les 15 jours.

- Conservez les aliments dans des récipients fermés. Des micro-organismes peuvent proliférer des récipients non fermés et émettre de mauvaises odeurs.
- Ne conservez pas d'aliments périmés ou avariés dans le réfrigérateur.

6.2. Protection des surfaces en plastique

Si de l'huile se répand sur les surfaces en plastique, il faut immédiatement les nettoyer avec de l'eau tiède, sinon elles seront endommagées.

Parcourez la liste ci-après avant de contacter le service de maintenance. Cela devrait vous éviter de perdre du temps et de l'argent. Cette liste répertorie les plaintes fréquentes ne provenant pas de vices de fabrication ou des défauts de pièces. Certaines fonctionnalités mentionnées dans ce manuel peuvent ne pas exister sur votre modèle.

Le réfrigérateur ne fonctionne pas.

- La fiche d'alimentation n'est pas bien fixée. >>> Branchez-la en l'enfonçant complètement dans la prise.
- Le fusible branché à la prise qui alimente l'appareil ou le fusible principal est grillé. >>> Vérifiez le fusible.

Condensation sur la paroi latérale du congélateur (MULTI ZONE, COOL, CONTROL et FLEXI ZONE).

- La porte est ouverte trop fréquemment >>> Évitez d'ouvrir trop fréquemment la porte de l'appareil.
- L'environnement est trop humide. >>> N'installez pas l'appareil dans des endroits humides.
- Les aliments contenant des liquides sont conservés dans des récipients non fermés. Conservez ces aliments dans des emballages scellés.
- La porte de l'appareil est restée ouverte. >>> Ne laissez pas la porte du réfrigérateur ouverte longtemps.
- Le thermostat est réglé à une température trop basse. >>> Réglez le thermostat à la température appropriée.

Le compresseur ne fonctionne pas.

- En cas de coupure soudaine de courant ou de débranchement intempestif, la pression du gaz dans le système de réfrigération de l'appareil n'est pas équilibrée, ce qui déclenche la fonction de conservation thermique du compresseur. L'appareil se remet en marche au bout de 6 minutes environ. Dans le cas contraire, veuillez contacter le service de maintenance.
- L'appareil est en mode dégivrage. >>> Ce processus est normal pour un appareil à dégivrage complètement automatique. Le dégivrage se déclenche périodiquement.
- L'appareil n'est pas branché. >>> Vérifiez que le cordon d'alimentation est connecté à la prise.
- Le réglage de température est inapproprié. >>> Sélectionnez le réglage de température approprié.
- Cas de coupure de courant. >>> L'appareil continue de fonctionner normalement dès le retour du courant.

Le bruit du réfrigérateur en fonctionnement s'accroît pendant son utilisation.

- Le rendement de l'appareil en fonctionnement peut varier en fonction des fluctuations de la température ambiante. Ceci est normal et ne constitue pas un dysfonctionnement.

Le réfrigérateur fonctionne fréquemment ou pendant de longues périodes.

Le dépannage

- Il se peut que le nouvel appareil soit plus grand que l'ancien. Les appareils plus grands fonctionnent plus longtemps.
- La température de la pièce est probablement élevée. Il est normal que l'appareil fonctionne plus longtemps lorsque la température de la pièce est élevée.
- L'appareil vient peut-être d'être branché ou chargé de nouveaux aliments. >>> L'appareil met plus longtemps à atteindre la température réglée s'il vient d'être branché ou récemment rempli d'aliments. Ce phénomène est normal.
- Il est possible que des quantités importantes d'aliments chauds aient été récemment placées dans l'appareil. >>> Ne placez pas d'aliments chauds dans votre appareil.
- Les portes étaient ouvertes fréquemment ou sont restées longtemps ouvertes. >>> L'air chaud circulant à l'intérieur de l'appareil le fera fonctionner plus longtemps. N'ouvrez pas les portes trop régulièrement.
- Le congélateur ou le réfrigérateur est peut-être resté entrouvert. >>> Vérifiez que les portes sont bien fermées.
- L'appareil peut être réglé à une température trop basse. >>> Réglez la température à un degré supérieur et patientez que l'appareil atteigne la nouvelle température.
- Le joint de la porte du réfrigérateur ou du congélateur peut être sale, usé, brisé ou mal positionné. >>> Nettoyez ou remplacez le joint. Si le joint de la porte est endommagé ou arraché, l'appareil mettra plus de temps à conserver la température actuelle.

La température du réfrigérateur est très basse, alors que celle du congélateur est appropriée.

- La température du compartiment congélateur est réglée à un degré très bas. >>> Réglez la température du compartiment congélateur à un degré supérieur et procédez de nouveau à la vérification.

La température du réfrigérateur est très basse, alors que celle du congélateur est appropriée.

- La température du compartiment réfrigérateur est réglée à un degré très bas. >>> Réglez la température du compartiment congélateur à un degré supérieur et procédez de nouveau à la vérification.

Les aliments conservés dans le compartiment réfrigérateur sont congelés.

- La température du compartiment réfrigérateur est réglée à un degré très bas. >>> Réglez la température du compartiment congélateur à un degré supérieur et procédez de nouveau à la vérification.

La température du compartiment réfrigérateur ou congélateur est très élevée.

Le dépannage

- La température du compartiment réfrigérateur est réglée à un degré très élevé. >>> Le réglage de la température du compartiment réfrigérateur a un effet sur la température du compartiment congélateur. Patientez que la température des parties concernées atteigne le niveau suffisant en changeant la température des compartiments réfrigérateur et congélateur.
- Les portes étaient ouvertes fréquemment ou sont restées longtemps ouvertes. >>> N'ouvrez pas les portes trop régulièrement.
- La porte est peut-être restée ouverte. >>> Fermez hermétiquement la porte du réfrigérateur.
- L'appareil vient peut-être d'être branché ou chargé de nouveaux aliments. >>> Ce phénomène est normal. L'appareil met plus longtemps à atteindre la température réglée s'il vient d'être branché ou récemment rempli d'aliments.
- Il est possible que des quantités importantes d'aliments chauds aient été récemment placées dans l'appareil. >>> Ne placez pas d'aliments chauds dans votre appareil.

En cas de vibrations ou de bruits.

- Le sol n'est pas plat ou solide. >>> Si l'appareil balance lorsqu'il est déplacé doucement, ajustez les supports afin de le remettre en équilibre. Vérifiez également que le sol est assez solide pour supporter le poids de l'appareil.
- Les éléments placés sur le réfrigérateur pourraient faire du bruit. >>> Veuillez les retirer.

L'appareil émet un bruit d'écoulement de liquide ou de pulvérisation, etc.

- Le fonctionnement de l'appareil implique des écoulements de liquides et des émissions de gaz. >>> Ce phénomène est normal et ne constitue pas un dysfonctionnement.

L'appareil émet un sifflement.

- L'appareil effectue le refroidissement à l'aide d'un ventilateur. Ceci est normal et ne constitue pas un dysfonctionnement.

Les parois internes de l'appareil présentent une condensation.

- Un climat chaud ou humide accélère le processus de givrage et de condensation. Ceci est normal et ne constitue pas un dysfonctionnement.
- Les portes étaient ouvertes fréquemment ou sont restées longtemps ouvertes. >>> N'ouvrez pas les portes trop fréquemment ; fermez-les lorsqu'elles sont ouvertes.
- La porte est peut-être restée ouverte. >>> Fermez hermétiquement la porte du réfrigérateur.

Il y a de la condensation sur les parois externes ou entre les portes de l'appareil.

- Il se peut que le climat ambiant soit humide, auquel cas cela est normal. >>> La condensation se dissipe lorsque l'humidité baisse.

Présence d'une odeur désagréable dans l'appareil.

- • L'appareil n'est pas nettoyé régulièrement. >>> Nettoyez régulièrement l'intérieur du réfrigérateur en utilisant une éponge, de l'eau chaude et de l'eau gazeuse.
- • Certains récipients et matériaux d'emballage sont peut-être à l'origine de mauvaises odeurs. >>> Utilisez des récipients et des emballages exempts de toute odeur.
- • Les aliments ont été placés dans des récipients non fermés. >>> Conservez les aliments dans des récipients fermés. Les micro-organismes pourraient se propager sur les produits alimentaires non fermés et émettre de mauvaises odeurs. Retirez tous les aliments périmés ou avariés de l'appareil.

La porte ne se ferme pas.

Le dépannage

- Des emballages d'aliments peuvent bloquer la porte. >>> Déplacez tout ce qui bloque les portes.
- L'appareil ne se tient pas parfaitement droit sur le sol. >>> Ajustez les pieds afin de remettre l'appareil en équilibre.
- Le sol n'est pas plat ou solide. >>> Assurez-vous que le sol est plat et assez solide pour supporter le poids de l'appareil.

Le bac à légumes est engorgé.

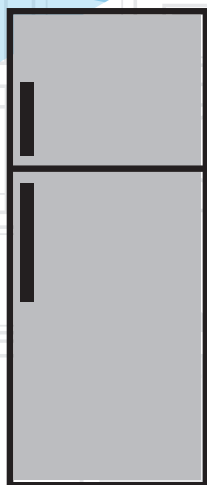
- Il est possible que les aliments soient en contact avec la section supérieure du tiroir. >>> Reclassez les aliments dans le tiroir.



AVERTISSEMENT : Si le problème persiste même après observation des instructions contenues dans cette partie, contactez votre fournisseur ou un service de maintenance agréé. N'essayez pas de réparer l'appareil de vous-même.

Kühlschrank/Gefrierschrank

Bedienungsanleitung



DEI

beko

Bitte lesen Sie zuerst diese Anleitung!

Liebe Kundin, lieber Kunde,

Wir möchten, dass Sie optimale Effizienz von unserem Produkt erhalten, das in modernen Einrichtungen mit sorgfältigen Qualitätskontrollen hergestellt wurde.

Bitte lesen Sie die Bedienungsanleitung zu diesem Zweck vor Benutzung des Produktes vollständig und bewahren Sie sie zum Nachschlagen auf. Falls Sie das Produkt an eine andere Person weitergeben, händigen Sie bitte auch diese Anleitung aus.





Die Bedienungsanleitung gewährleistet die schnelle und sichere Benutzung des Produktes.

- Bitte lesen Sie die Bedienungsanleitung, bevor Sie das Produkt aufstellen und bedienen.
- Halten Sie stets die zutreffenden Sicherheitshinweise ein.
- Bewahren Sie die Bedienungsanleitung zum künftigen Nachschlagen an einem leicht zugänglichen Ort auf.
- Bitte lesen Sie alle anderen mit dem Produkt bereitgestellten Dokumente.

Beachten Sie, dass diese Bedienungsanleitung auf verschiedene Produktmodelle zutreffen kann. Die Anleitung zeigt jegliche Abweichungen unterschiedener Modelle deutlich an.

Symbole und Anmerkungen

In der Bedienungsanleitung verwenden wir folgende Symbole:

	Wichtige Informationen und nützliche Tipps.
	Gefahr für Leib und Eigentum.
	Stromschlaggefahr.
	Die Produktverpackung besteht gemäß nationalen Umweltgesetzen aus recyclingfähigen Materialien.

Inhalt

1 Hinweise zu Sicherheit und Umwelt 3

- 1.1. Allgemeine Sicherheitshinweise 3
- 1.1.1 Wichtige Hinweise zum Kältemittel 6
- 1.1.2 Modelle mit Wasserspender 6
- 1.2. Bestimmungsgemäßer Einsatz 7
- 1.3. Sicherheit von Kindern 7
- 1.4. Einhaltung von WEEE-Vorgaben und
Altgeräteentsorgung 8
- 1.5. Einhaltung von RoHS-Vorgaben 8
- 1.6. Hinweise zur Verpackung 8

2 Ihr Kühlschrank 9

3 Montage 10

- 3.1. Richtiger Standort für Installation 10
- 3.2. Einstellung der Füße 11
- 3.3. Elektrischer Anschluss 11
- 3.4. Wechseln der Türöffnungsrichtung 11
- 3.5. Türanschlag umkehren 12
- 3.6. Türanschlag umkehren 13

4 Vorbereitung 14

- 4.1. Energiesparmaßnahmen 14
- 4.2. Erstanwendung 14

5 Nutzung des Geräts 15

- 5.1. Temperatureinstellungsknopf 15
- 5.2. Schock-Frieren 15
- 5.3. Ferienfunktion 16
- 5.4. Abtauen 16
- 5.5. Tür-offen-Warnung 17
- 5.6. Eisbehälter 18
- 5.7. Eierbehälter 18
- 5.8. Ventilator 18
- 5.9. Gemüsefach 18

6 Pflege und Reinigung 19

- 6.1. Vermeidung von schlechtem Geruch 19
- 6.2. Schutz von Kunststoffoberflächen 19

7 Problemlösung 20

1 Hinweise zu Sicherheit und Umwelt

Dieser Abschnitt bietet die zur Vermeidung von Verletzungen und Materialschäden erforderlichen Sicherheitsanweisungen.

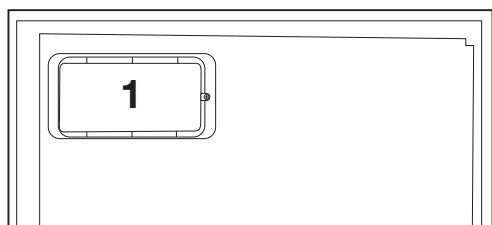
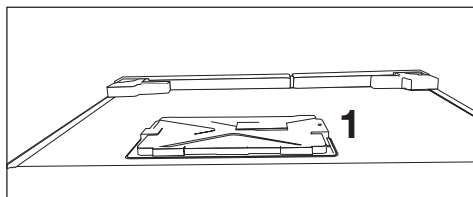
Bei Nichtbeachtung dieser Anweisungen erlöschen jegliche Garantieansprüche.

1.1. Allgemeine Sicherheitshinweise

- Dieses Produkt darf nicht von Personen mit körperlichen, sensorischen oder mentalen Einschränkungen, einem Mangel an Erfahrung und Wissen oder von Kindern verwendet werden. Das Gerät darf nur dann von solchen Personen benutzt werden, wenn diese von einer für ihre Sicherheit verantwortlichen Person beaufsichtigt werden oder angeleitet wurden. Kinder dürfen nicht mit diesem Gerät spielen.
- Ziehen Sie bei Fehlfunktionen den Netzstecker des Gerätes.
- Warten Sie nach Ziehen des Netzsteckers mindestens 5 Minuten, bevor Sie ihn wieder anschließen.
- Ziehen Sie den Netzstecker, wenn Sie das Gerät nicht nutzen.
- Berühren Sie den Netzstecker niemals mit feuchten oder gar nassen Händen. Ziehen Sie beim Trennen niemals am Kabel, greifen Sie immer am Stecker.
- Wischen Sie den Netzstecker vor dem Einstecken mit einem trockenen Tuch ab.
- Schließen Sie den Kühlschrank nicht an lose Steckdosen an.
- Das Gerät muss bei Aufstellung, Wartungsarbeiten, Reinigung und bei Reparaturen vollständig vom Stromnetz getrennt werden.
- Falls das Produkt längere Zeit nicht benutzt wird, ziehen Sie den Netzstecker und nehmen Sie sämtliche Lebensmittel aus dem Kühlschrank.
- Verwenden Sie das Produkt nicht, wenn das Fach mit Leiterplatten im unteren

Sicherheits- und Umweltschutzanweisungen

hinteren Bereich des Gerätes (Abdeckung des Fachs mit der elektrischen Karte) (1) geöffnet ist.

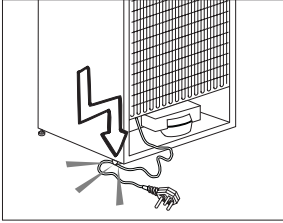


- Benutzen Sie keine Dampfreiniger oder ähnlichen Gerätschaften zum Reinigen oder Abtauen Ihres Gerätes. Der Dampf kann in Bereiche eindringen, die unter Spannung stehen. Kurzschlüsse oder Stromschläge können die Folge sein!
- Lassen Sie niemals Wasser direkt auf das Gerät gelangen; auch nicht zum Reinigen! Es besteht Stromschlaggefahr!
- Verwenden Sie das Produkt bei Fehlfunktionen nicht; es besteht Stromschlaggefahr! Wenden Sie sich als erstes an den autorisierten Kundendienst.
- Stecken Sie den Netzstecker des Gerätes in eine geerdete Steckdose. Die Erdung muss durch einen qualifizierten Elektriker vorgenommen werden.
- Falls das Gerät über eine LED-Beleuchtung verfügt, wenden Sie sich zum Auswechseln sowie im Falle von Problemen an den autorisierten Kundendienst.
- Berühren Sie gefrorene Lebensmittel nicht mit feuchten Händen! Sie können an Ihren Händen festfrieren!

Sicherheits- und Umweltschutzanweisungen

- Geben Sie keine Flüssigkeiten in Flaschen oder Dosen in den Tiefkühlbereich. Sie können platzen!
- Geben Sie Flüssigkeiten in aufrechter Position in den Kühlschrank; zuvor den Deckel sicher verschließen.
- Sprühen Sie keine entflammaren Substanzen in die Nähe des Gerätes, da sie Feuer fangen oder explodieren könnten.
- Bewahren Sie keine entflammaren Materialien oder Produkte mit entflammaren Gasen (Sprays etc.) im Kühlschrank auf.
- Stellen Sie keine mit Flüssigkeiten gefüllten Behälter (z. B. Vasen) auf dem Gerät ab. Falls Wasser oder andere Flüssigkeiten an unter Spannung stehende Teile gelangen, kann es zu Stromschlägen oder Bränden kommen.
- Setzen Sie das Gerät keinem Regen, Schnee, direkten Sonnenlicht oder Wind aus; dies kann die elektrische Sicherheit gefährden. Verschieben Sie das Gerät nicht durch Ziehen an den Türgriffen. Die Griffe könnten sich lösen.
- Achten Sie darauf, dass weder Ihre Hände noch andere Körperteile von beweglichen Teilen im Inneren des Gerätes eingeklemmt oder gequetscht werden.
- Achten Sie darauf, nicht auf die Tür, Schubladen oder ähnliche Teile des Kühlschranks zu treten; lehnen Sie sich nicht daran an. Andernfalls könnte das Gerät umkippen, Teile könnten beschädigt werden.
- Achten Sie darauf, das Netzkabel nicht einzuklemmen.

Sicherheits- und Umweltschutzanweisungen



Das Typenschild an der linken Innenwand des Kühlschranks gibt die Art des im Gerät verwendeten Gases an.

1.1.1 Wichtige Hinweise zum Kältemittel

Wenn das Gerät über ein Kühlsystem mit R600a-Gas verfügt, achten Sie darauf, das Kühlsystem und den dazugehörigen Schlauch während der Benutzung und des Transports nicht zu beschädigen. Dieses Gas ist leicht entflammbar. Bei Beschädigungen des Kühlsystems halten Sie das Gerät von potenziellen Zündquellen (z. B. offenen Flammen) fern und sorgen für eine gute Belüftung des Raumes.

1.1.2 Modelle mit Wasserspender

- Der Druck für die Kaltwasserzufuhr sollte maximal 90 psi (6,2 bar) betragen. Wenn der Wasserdruck in Ihrem Haushalt 80 psi (5,5 bar) übersteigt, verwenden Sie bitte ein Druckbegrenzungsventil in Ihrem Leitungssystem. Sollten Sie nicht wissen, wie der Wasserdruck gemessen wird, ziehen Sie bitte einen Fachinstallateur hinzu.
- Sollte für Ihr Leitungssystem das Risiko eines Wasserschlags (Druckstoß) bestehen, verwenden Sie stets eine geeignete Druckstoßsicherung.

Sicherheits- und Umweltschutzanweisungen

- Wenden Sie sich bitte an einen Fachinstallateur, falls Sie sich über die Wasserschlaggefährdung in Ihrem Leitungssystem nicht sicher sein sollten.
- Nutzen Sie niemals die Warmwasserzufuhr für den Einbau. Treffen Sie geeignete Vorsichtsmaßnahmen zum Schutz der Leitungen gegen mögliches Einfrieren. Die für den Betrieb zulässige Wassertemperatur liegt im Bereich von mindestens 0,6°C (33°F) bis hin zu maximal 38°C (100°F).
 - Nutzen Sie ausschließlich Trinkwasser.
 - Das Produkt sollte ausschließlich zum Lagern von Lebensmitteln und Getränken verwendet werden.
 - Bewahren Sie keine empfindlichen Produkte, die kontrollierte Temperaturen erfordern (z. B. Impfstoffe, wärmeempfindliche Medikamente, Sanitätsartikel etc.) im Kühlschrank auf.
 - Der Hersteller haftet nicht für jegliche Schäden, die durch Missbrauch oder falsche Handhabung entstehen.
 - Die Einsatzzeit des Produktes beträgt 10 Jahre. Während dieser Dauer werden alle für die Funktionstüchtigkeit des Gerätes erforderlichen Ersatzteile vorgehalten.

1.2. Bestimmungsgemäßer Einsatz

- Dieses Gerät ist für den Einsatz im Haushalt vorgesehen. Er eignet sich nicht zum kommerziellen Einsatz.

1.3. Sicherheit von Kindern

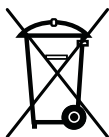
- Bewahren Sie Verpackungsmaterialien außerhalb der Reichweite von Kindern auf.

Sicherheits- und Umweltschutzanweisungen

- Lassen Sie Kinder nicht mit dem Gerät spielen.
- Falls das Gerät mit einer abschließbaren Tür ausgestattet ist, bewahren Sie den Schlüssel außerhalb der Reichweite von Kindern auf.

1.4. Einhaltung von WEEE-Vorgaben und Altgeräteentsorgung

Dieses Gerät erfüllt die Vorgaben der EU-WEEE-Direktive (2012/19/EU). Das Gerät wurde mit einem Klassifizierungssymbol für elektrische und elektronische Altgeräte (WEEE) gekennzeichnet.



Dieses Gerät wurde aus hochwertigen Materialien hergestellt, die wiederverwendet und recycelt werden können.

Entsorgen Sie das Gerät am Ende seiner Einsatzzeit nicht mit dem regulären Hausmüll. Bringen Sie

das Gerät zu einer Sammelstelle zum Recycling von elektrischen und elektronischen Geräten. Ihre Stadtverwaltung informiert Sie gerne über geeignete Sammelstellen in Ihrer Nähe.

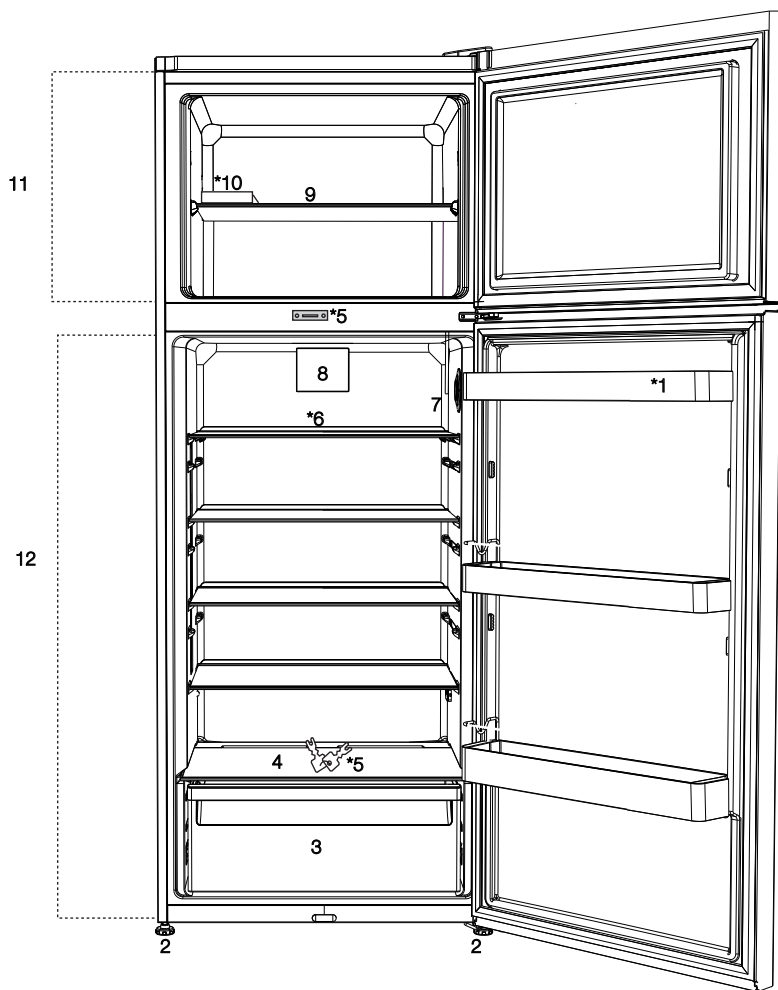
1.5. Einhaltung von RoHS-Vorgaben

- Dieses Gerät erfüllt die Vorgaben der EU-WEEE-Direktive (2011/65/EU). Es enthält keine in der Direktive angegebenen gefährlichen und unzulässigen Materialien.

1.6. Hinweise zur Verpackung

- Die Verpackungsmaterialien des Gerätes wurden gemäß nationalen Umweltschutzbestimmungen aus recyclingfähigen Materialien hergestellt. Entsorgen Sie Verpackungsmaterialien nicht mit dem regulären Hausmüll oder anderen Abfällen. Bringen Sie Verpackungsmaterialien zu geeigneten Sammelstellen; Ihre Stadtverwaltung berät Sie gern.

2 Ihr Kühlschrank



- | | | | |
|----|-------------------------|-----|-----------------------------|
| 1. | Türfächer | 7. | Temperatureinstellungsknopf |
| 2. | Einstellbare Füße | 8. | Ventilator |
| 3. | Gemüsefach | 9. | Tiefkühlbereich-Schubladen |
| 4. | Gemüsefachabdeckung | 10. | Eisbehälter |
| 5. | Schloss und Schlüssel * | 11. | Tiefkühlbereich |
| 6. | Kühlbereich-Glasablage | 12. | Kühlbereich |



***Optionell:** Die in dieser Bedienungsanleitung aufgeführten Symbole sind als Beispiele aufgeführt, es ist möglich, dass diese nicht voll und ganz mit Ihrem Gerät übereinstimmen. Falls bei Ihrem Gerät die aufgeführten Teile nicht vorhanden sind, sind diese Symbole für andere Modelle geltend.

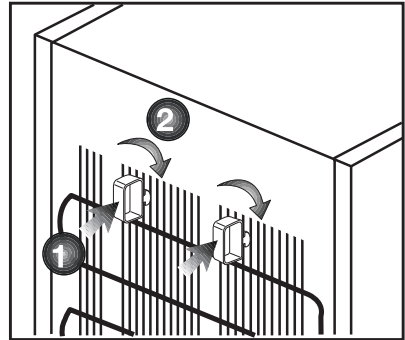
3.1. Richtiger Standort für Installation

Kontaktieren Sie für die Installation des Gerätes den Kundendienst. Um das Gerät in einen betriebsfähigen Zustand zu bringen, nutzen Sie die Informationen der Bedienungsanleitung und achten Sie darauf, dass die elektrische Installation und Wasserinstallation korrekt ist. Falls nicht wenden Sie sich an einen kompetenten Elektriker und Installateur, die die notwendigen Einrichtungen durchführen.

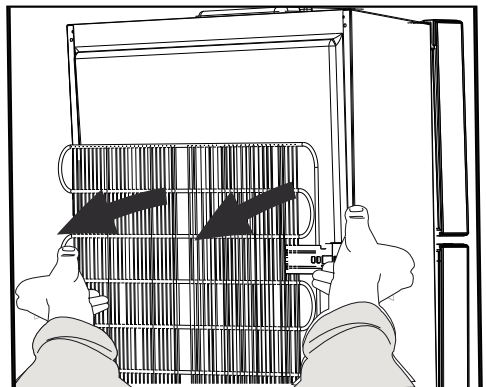
	HINWEIS: Der Hersteller haftet nicht für Schäden, die auf Handhabungen von nicht kompetenten Personen zurückzuführen sind.
	HINWEIS: Während der Installation darf das Gerät nicht am Netz angeschlossen sein. Anderenfalls kann es zu schweren Verletzungen kommen oder eine Lebensgefahr darstellen.
	HINWEIS: : Falls die Türbreite nicht breit genug ist, um das Gerät durchzuführen, heben Sie die Tür des Geräts aus und versuchen Sie es seitlich durch zuschieben; falls dies auch nicht funktioniert, wenden Sie sich an den Kundendienst.

- Um Schwankungen zu vermeiden, stellen Sie es auf eine gerade Fläche.
- Stellen Sie das Gerät mindestens 30 cm entfernt von Wärmequellen, wie Heizkörper und Öfen und mindestens 5 cm von elektrischen Backöfen entfernt.
- Setzen Sie das Gerät keiner direkten Sonnenbestrahlung oder Feuchtigkeit aus.
- Damit das Gerät effizient betrieben werden kann, muss in dessen Umgebung eine geeignete Luftzirkulation vorhanden sein. Falls das Gerät in eine Nische platziert werden soll, sollte zwischen der Decke und den Seitenwänden mit dem Gerät ein Hohlraum von mindestens 5 cm sein.
- Stellen Sie das Geräte nicht an Orte, wo die Temperaturen bis auf 10°C sinken können.

- Setzen Sie die beiden Kunststoffkeile wie in der folgenden Abbildung gezeigt in die Kondensatordrähte ein. Die Kunststoffkeile sorgen für den richtigen Abstand zwischen Kühlschrank/ Gefrierschrank und Wand - und damit für die richtige Luftzirkulation. (Die Abbildung dient lediglich zur Orientierung und muss nicht exakt mit Ihrem Gerät übereinstimmen.)



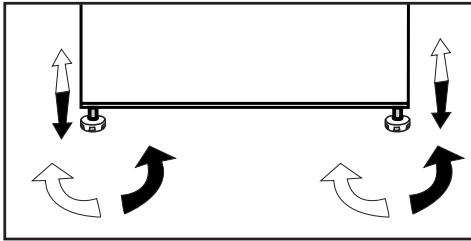
- Der Kondensator des Kühlschranks befindet sich auf der Rückseite. Um den Energieverbrauch auf ein Minimum zu reduzieren und die Energieeffizienz zu erhöhen, muss das Oberteil des Kondensators auf der Rückseite, wie in der Abbildung gezeigt, nach hinten ziehend verriegelt werden. Beim Ziehen des Kondensators nach hinten, verriegeln sich die Klammern rechts und links und die Position des Kondensators wird befestigt.



Montage

3.2. Einstellung der FüÙe

Falls Ihr Gerät an seinem Platz nicht ausbalanciert steht, können Sie die VorderfüÙe durch das Drehen nach rechts und links einstellen.



3.3. Elektrischer Anschluss



HINWEIS: Zum Anschluss dürfen keine Verlängerungskabel oder Mehrfachsteckdosen verwendet werden.



HINWEIS: Beschädigte elektrische Kabel sollten vom Kundendienst gewechselt werden.



Falls zwei Kühlgeräte nebeneinander aufgestellt werden, sollte zwischen ihnen ein Abstand von 4 cm eingehalten werden.

- Für Schäden, die auf einen Betrieb des Geräts ohne Erdung oder elektrischen Anschlusses gemäß der regionalen Richtlinie zurückgeführt werden können, übernimmt der Hersteller keine Verantwortung.
- Das Elektrokabel muss nach der Aufstellung leicht zugänglich sein.
- Schließen Sie die Stromversorgung, welches bei Ihrem Kühlschrank bei 220-240V /50 Hz liegt, an eine Steckdose mit Erdung an. Die Steckdose sollte eine Sicherung von 10-16 A besitzen.
- Zwischen dem Kühlschrank und der Wandsteckdose sollte keine Mehrfachsteckdose mit oder ohne Verlängerungskabel verwendet werden.

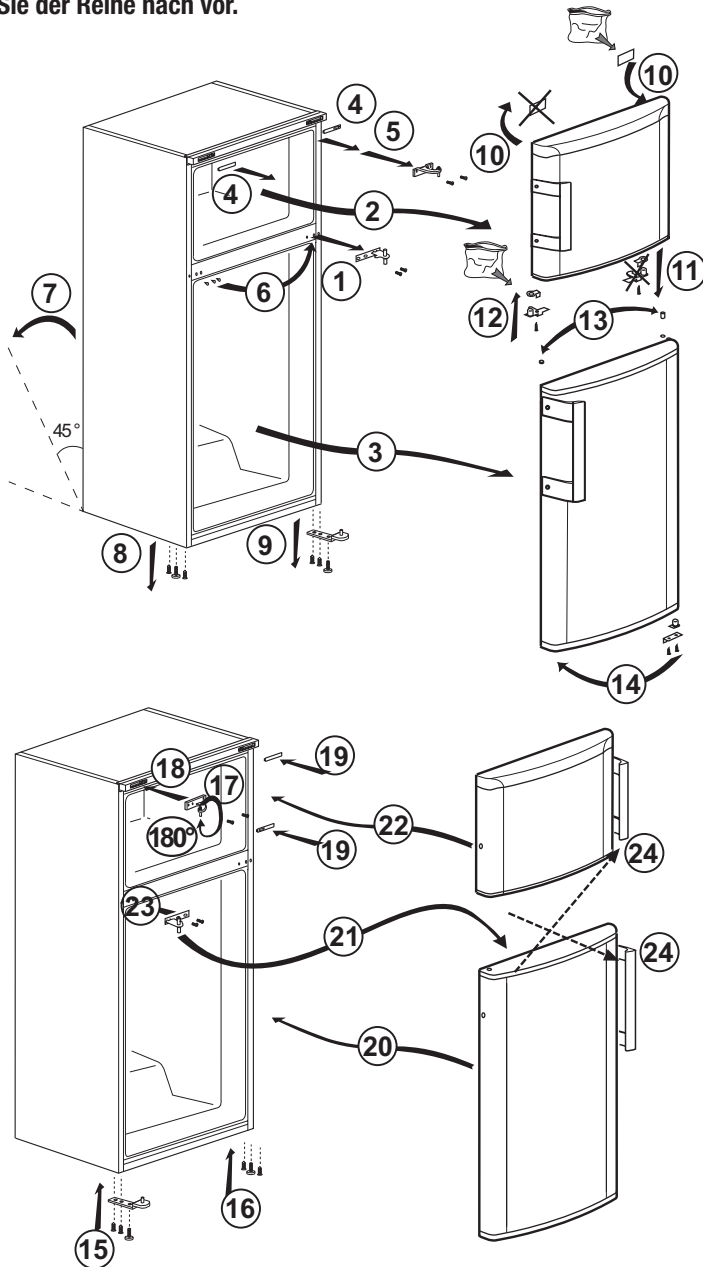
3.4. Wechseln der Türöffnungsrichtung

Je nachdem wo Sie den Kühlschrank aufstellen, können Sie die Türöffnungsrichtung ändern. Falls dies notwendig ist, wenden Sie sich auf alle Fälle an den nächstgelegenen Kundendienst.

Montage

3.5. Türanschlag umkehren

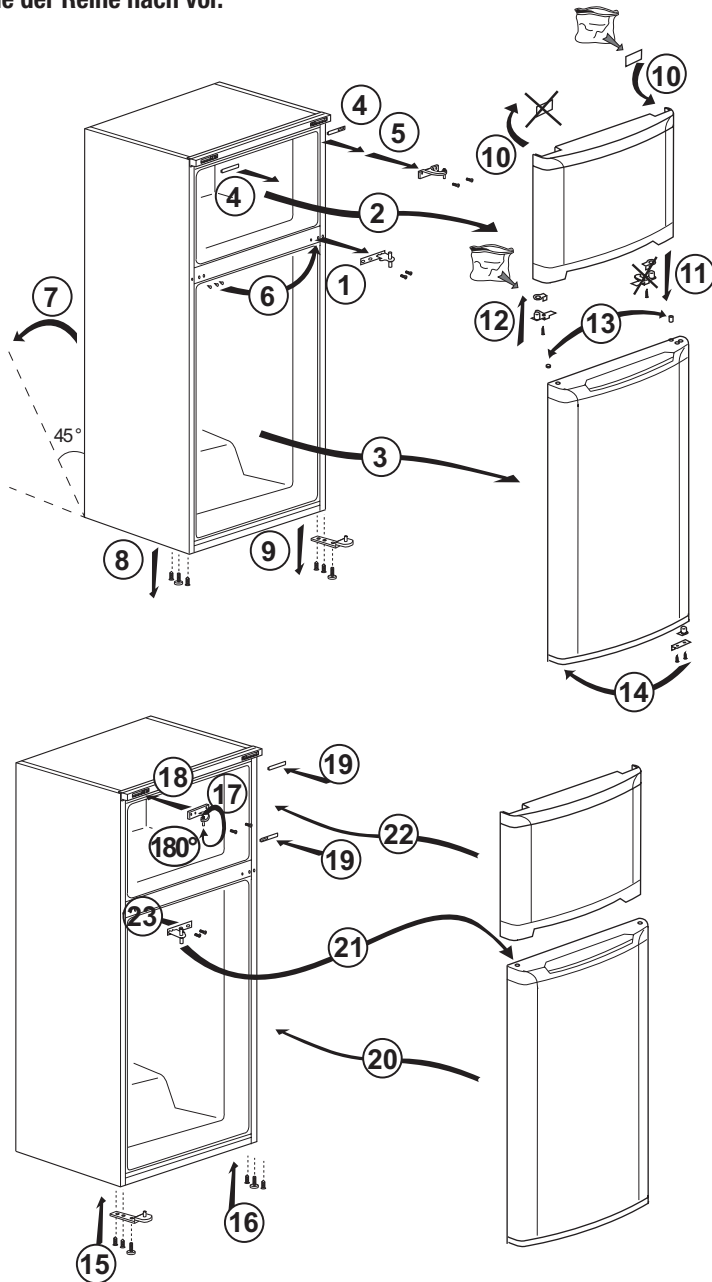
Gehen Sie der Reihe nach vor.



Montage

3.6. Türanschlag umkehren

Gehen Sie der Reihe nach vor.



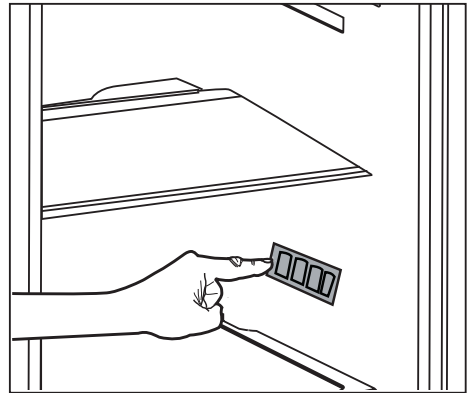
4.1. Energiesparmaßnahmen



Da es dem Gerät schaden könnte, ist es nicht geeignet, dass das Gerät an die Energiesparsysteme angeschlossen wird.

- Halten Sie die Türen nicht für längere Zeit offen.
- Stellen Sie keine warmen Speisen oder Getränke in den Kühlschrank.
- Den Kühlschrank nicht überfüllen. Wenn der Luftstrom verhindert wird, reduziert sich die Kühlkapazität.
- Die Speisen in geschlossenen Behältern aufbewahren.
- Sie können die Gefrierschublade aus dem Gefrierteil entnehmen und die maximale Menge mit Lebensmittel füllen. Der aufgeführte Energieverbrauch wurde ohne Schublade des Gefrierteils und maximal gefüllt mit Lebensmittel ermittelt. Es bestehen keine Begrenzungen zur Nutzung von Schubladen entsprechend der Form und Größe der Lebensmittel.
- Gefrorene Lebensmittel im Kühlschrank aufzutauen, führt zu Energieersparnissen und schützt die Qualität Ihrer Lebensmittel.
- Dieses Gerät kann bei Umgebungstemperaturen bis zu 43° C (90°F) betrieben werden. Auch wenn die Umgebungstemperaturen bis -15 °C sinken, ist das Gefrierteil zum Auftauen der Tiefkühlkost mit einem fortgeschrittenen elektronischen Temperaturkontrollsystem ausgerüstet. Bei der Erstinstallation sollte das Gerät unter niedrigen Umgebungstemperaturen
- **GEFÜLLT WERDEN.**
- Für einen energieeffizienten Betrieb und die qualitätsgerechte Lagerung des Gefriergut sind stets die mit dem Gefrierschrank gelieferten Körbe/Schübe zu verwenden.
- Ein direkter Kontakt des Gefrierguts mit dem Temperatursensor im Gefrierschrank kann zu einem erhöhten Energieverbrauch des Geräts führen. Daher muss solch ein Kontakt mit einem oder mehreren Sensoren vermieden werden.

- Vermeiden Sie Berührungen der Lebensmittel mit dem Temperaturfühler.



4.2. Erstanwendung

Vor der Benutzung Ihres Kühlschranks, lesen Sie die "Anweisungen zur Sicherheit und zum Umweltschutz" und die Anweisungen im Abschnitt "Installation".

- Lassen Sie das Gerät für 6 Stunden ohne Lebensmittel laufen und öffnen Sie die Tür während dieser Dauer nicht, falls nicht unbedingt nötig.



Sobald der Kompressor sich einschaltet, werden Sie ein Geräusch hören. Verdichtete Flüssigkeiten und Gase im Kühlungssystem, werden auch Geräusche abgeben, wenn der Kompressor nicht in Betrieb ist, dies ist normal.



Die vorderen Ränder des Gerätes können warm sein. Dies ist ein normaler Zustand. Diese Bereiche wurden so konzipiert, dass sie sich erwärmen, um eine Kondensation zu vermeiden.

5 Nutzung des Geräts

5.1. Temperatureinstellungsknopf

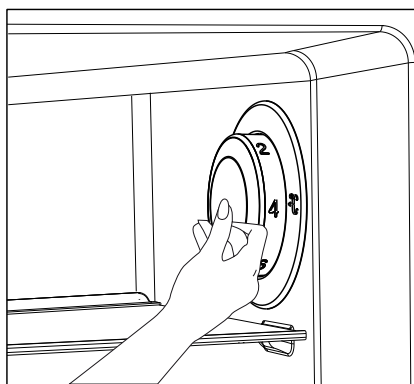
Die Innenraumtemperatur Ihres Kühlschranks kann sich aus folgenden Gründen ändern:

- Jahreszeitliche Temperaturen;
- Häufiges Öffnen und Schließen der Türen des Geräts sowie Offenhalten der Tür für eine längere Zeit;
- Abstellen von warmen Speisen, ohne diese vorher auf Raumtemperatur abkühlen zu lassen;
- Der Standort des Kühlschranks im Raum (z. B. Wärme durch Sonnenstrahlen ausgesetzt).
- Daher können Sie die schwankende Innentemperatur, durch den Einstellungsknopf einstellen.

Die Zahlen um den Einstellungsknopf zeigen die Temperaturen in "°C" an.

Falls die Umgebungstemperatur 25 °C ist, sollte der Einstellungsknopf auf die Position 4°C eingestellt werden.

Bei sonstigen Umgebungstemperaturen sollte je nach Bedarf dieser Wert erhöht oder reduziert werden.



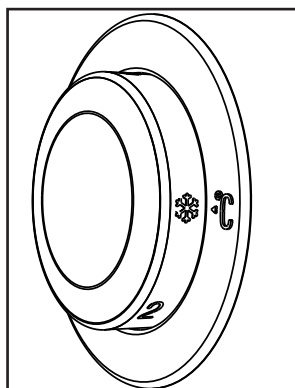
5.2. Schock-Frieren

Falls Sie in großen Mengen frische Lebensmittel einfrieren möchten, bringen Sie 24 Stunden, bevor Sie die Lebensmittel in das Frischgefrierfach legen, den Temperatureinstellknopf auf die Position (❄️).

Um die aufgeführte maximale Menge der Gefrierkapazität an frischen Lebensmitteln einzufrieren muss der Knopf mindestens für 24 Stunden in dieser Position gehalten werden.


Achten Sie darauf, fertiggefrorene Lebensmittel nicht mit frisch gefrorenen Lebensmittel zu vermischen.

Vergessen Sie nicht nachdem, die einfrieren der Lebensmittel den Einstellknopf auf die vorherige Position zu bringen.



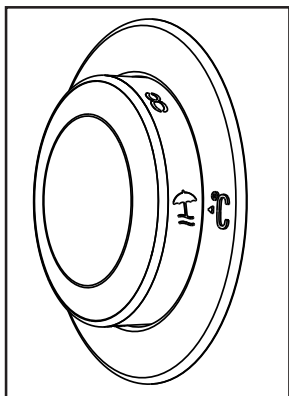
Nutzung des Geräts

5.3. Ferienfunktion

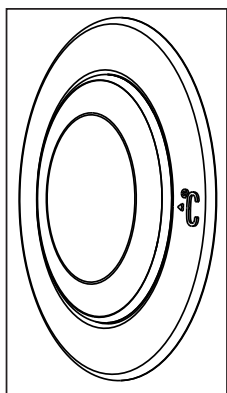
Falls die Türen, nachdem Sie den Einstellknopf auf die wärmste Position () gebracht haben, für mindestens 12 Stunden nicht geöffnet werden, aktiviert sich die Ferienfunktion automatisch.

Um diese Funktion auszuschalten muss die Position des Einstellknopfs gewechselt werden.

Wenn die Ferienfunktion aktiv ist, wird es nicht empfohlen im Kühlfach Lebensmittel aufzubewahren.



- Nach Abschluss des Einstellungsvorgangs, können Sie den Einstellknopf durch Drücken des Knopfs nach innen, verstecken.



5.4. Abtauen

Während dem Abkühlen Ihres Kühlschranks kann sich im inneren hinteren Bereich des Kühlfachs ein Schneebelag von 7-8 mm Dicke bilden. Dies ist gemäß dem Kühlsystem normal.

Mithilfe des automatischen Abtausystems in der hinteren Rückwand wird der sich bildende Schnee in regelmäßigen Abständen abgetaut. Daher ist es nicht notwendig, dass seitens des Benutzers, der Schnee abgekratzt und die Wassertropfen gereinigt werden.

Das Wasser, dass durch das Abtauen entsteht fließt in den Behälter auf der Rückseite des Kühlschranks und verdampft von hier selbstständig.

Das Wasser fließt in den Behälter zum Verdampfen durch das Abflussrohr auf der inneren Rückseite. Prüfen Sie in regelmäßigen Abständen, ob dieses Abflussrohr verstopft ist oder falls ja, sollte es von der Verstopfung befreit werden.



Damit die frischen Lebensmittel im Gefrierfach nicht verderben, wird hier kein automatisches Abtauen durchgeführt. Im Gefrierfach sollte, der sich bildende Schnee alle 6 Monate abgetaut werden.

Für den Abtauvorgang müssen Sie vorerst den Betrieb des Geräts einstellen. Stecken Sie hierfür das Gerät vom Netzstecker aus.

Entleeren Sie das Gefrierfach. Während dem Abtauen des Schnees lagern Sie gefrorene Lebensmittel an einem kühlen Ort.

Während dem Abtauvorgang muss die Tür des Gefrierfachs geschlossen gehalten werden.

Nutzung des Geräts

Wischen Sie das Wasser, dass sich nachdem vollständigen Abtauen des Schnees bildet, mit einem absorbierenden Tuch oder Schwamm und trocknen Sie das Fach.

Um Ihr Gerät wieder in Betrieb zu nehmen, stecken Sie Ihr Gerät wieder ein.



HINWEIS: Legen Sie auf keinen Fall Kerzen, Gaslampen oder Heizgeräte in das Gerät, um den Abtauvorgang zu beschleunigen.



Lassen Sie vor dem Einräumen der Lebensmittel ins Gefrierfach, das Gerät für 2 Stunden in leerem Zustand laufen.

5.5. Tür-offen-Warnung

Ein Signal ertönt, wenn die Tür des Kühlschranks / Gefrierschranks oder des Tiefkühlfachs für eine bestimmte Zeit geöffnet bleibt. Dieses Tonsignal verstummt, sobald Sie eine beliebige Taste drücken oder die Tür wieder schließen.

Die Tür-Offen-Warnung wird den Nutzer sowohl visuell als auch akustisch warnen. Sollte diese Warnung für 10 Minuten andauern schaltet sich die Innenbeleuchtung aus.

Nutzung des Geräts

5.6. Eisbehälter

- Entnehmen Sie den Eisbehälter aus dem Gefrierfach.
- Füllen Sie den Eisbehälter mit Wasser.
- Legen Sie den Eisbehälter in das Gefrierfach. In zwei Stunden ist das Eis bereit.
- Entnehmen Sie den Eisbehälter vom Gefrierfach und biegen Sie diesen leicht über dem Behälter in dem Sie das Eis servieren möchten. Das Eis wird leicht in den Behälter für den Service ausgeschüttet.

5.7. Eierbehälter

Den Eierbehälter können Sie an die gewünschte Tür oder in ein Regal stellen. Falls es in ein Regal gelegt werden soll, sollten die kalten unteren Regale bevorzugt werden.

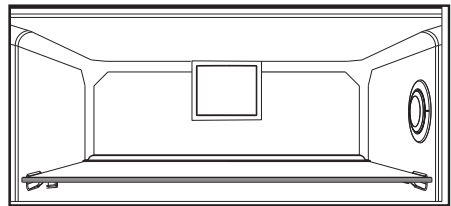


Legen Sie den Eierbehälter auf keinen Fall in das Gefrierfach.

5.8. Ventilator

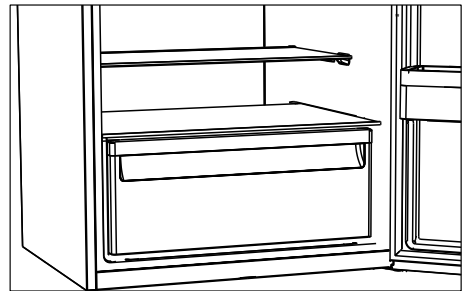
Der Ventilator ist so konzipiert, dass die homogene Verteilung der kalten Luft und den Luftkreislauf ermöglicht. Die Laufzeit des Ventilators kann gemäß der Eigenschaft Ihres Gerätes unterschiedlich sein.

Bei manchen Produkten läuft der Ventilator nur mit dem Kompressor, während bei anderen dies vom Kontrollsystem bestimmt wird und dem Kühlungsbedarf entsprechend läuft.



5.9. Gemüsefach

Das Gemüsefach wurde so konzipiert, dass das Gemüse seine Frische schützt, indem es nicht an Feuchtigkeit verliert. Zu diesem Zweck ist im Gemüsefach die Kaltluftzirkulation intensiviert.



Eine regelmäßige Reinigung erhöht die Lebensdauer des Geräts.



HINWEIS: Trennen Sie Ihren Kühlschrank vor der Reinigung vom Netz.

- Verwenden Sie zur Reinigung auf keinen Fall scharfen oder spitzen Gegenstände, Seife, Hausreinigungsmittel, Reinigungsmittel, Gas, Benzin, Lack u. Ä.
- Schütten Sie ein Teelöffel Karbonat in einen halben Liter Wasser. Nehmen Sie ein Tuch, tauchen Sie es in diese Flüssigkeit und wringen Sie es gut kräftig. Wischen Sie mit diesem Tuch das Innere des Geräts und trocknen Sie es gründlich.
- Achten Sie darauf, dass das Gehäuse der Leuchte und sonstige elektrischen Teile nicht mit Wasser in Berührung kommen.
- Reinigen Sie die Tür mit einem feuchten Tuch. Entnehmen Sie den Inhalt vom Innenraum und den Türen. Entfernen Sie die Regale nach oben hebend. Nach der Reinigung und dem Trocknen legen Sie es wieder ein, indem Sie es nach unten schieben.
- Verwenden Sie auf keinen Fall bei der Reinigung der Außenfläche des Geräts und den verchromten Teilen chlorhaltigem Wasser oder Reinigungsmittel. Chlor führt bei dieser Art von Oberflächen zur Verrostungen.
- Verwenden Sie keine spitzen oder scheuernde Gegenstände, Seifen, Reinigungsmittel bzw. Chemikalien, sowie auch kein Benzin, keine Benzole bzw. Wachse usw. Andernfalls werden die Einprägungen auf den Plasteteilen möglicherweise beschädigt oder deformiert. Verwenden Sie warmes Wasser und einen weichen Lappen zum anschließenden Trockenreiben.

6.1. Vermeidung von schlechtem Geruch

Bei der Herstellung Ihres Geräts wurden keinerlei Materialien verwendet, die Geruch verursachen könnten. Jedoch können aufgrund von ungeeigneter Lagerung von Lebensmitteln und unsachgemäßer Reinigung der Innenseite Gerüche entstehen.

Zur Vermeidung dieses Problems reinigen Sie es regelmäßig alle 15 Tage.

- Bewahren Sie die Speisen in geschlossenen Behältern auf. Lebensmittel, die in offenen Behältern aufbewahrt werden, können durch die Verbreitung von Mikroorganismen Gerüche verursachen.
- Keine Lebensmittel deren Aufbewahrungsdauer abgelaufen ist im Kühlschrank aufbewahren.

6.2. Schutz von Kunststoffoberflächen

Das Ausschütten von Öl kann den Kunststoffoberflächen Schaden zufügen, daher sollte hier mit lauwarmem Wasser gereinigt werden.

/ Problemlösung

Bitte arbeiten Sie diese Liste durch, bevor Sie sich an den Kundendienst wenden. Dies kann Ihnen Zeit und Geld sparen. In der Liste finden Sie häufiger auftretende Probleme, die nicht auf Verarbeitungs- oder Materialfehler zurückzuführen sind. Nicht alle hier beschriebenen Funktionen sind bei jedem Modell verfügbar.

Der Kühlschrank arbeitet nicht.

- Der Netzstecker ist nicht richtig eingesteckt. >>> Stecken Sie den Netzstecker bis zum Anschlag in die Steckdose.
- Die entsprechende Haussicherung ist herausgesprungen oder durchgebrannt. >>> Überprüfen Sie die Sicherung.

Kondensation an den Seitenwänden des Kühlbereiches (Multizone, Kühlkontrolle und FlexiZone).

- Die Tür wurde häufig geöffnet. >>> Verzichten Sie auf häufiges Öffnen der Kühlschranktür.
- Die Luftfeuchtigkeit in der Umgebung ist zu hoch. >>> Stellen Sie Ihren Kühlschrank nicht an Orten mit hoher Luftfeuchtigkeit auf.
- Lebensmittel mit hohem Flüssigkeitsanteil werden in offenen Behältern aufbewahrt. >>> Bewahren Sie Lebensmittel mit hohem Flüssigkeitsanteil nicht in offenen Behältern auf.
- Die Kühlschranktür steht offen. >>> Schließen Sie die Kühlschranktür.
- Das Thermostat ist auf eine sehr geringe Temperatur eingestellt. >>> Stellen Sie das Thermostat entsprechend nach.

Der Kompressor läuft nicht.

- Eine Schutzschaltung stoppt den Kompressor bei kurzzeitigen Unterbrechungen der Stromversorgung und wenn das Gerät zu oft und schnell ein- und ausgeschaltet wird, da der Druck des Kühlmittels eine Weile lang ausgeglichen werden muss. Der Kühlschrank beginnt nach etwa sechs Minuten wieder zu arbeiten. Bitte wenden Sie sich an den Kundendienst, falls Ihr Kühlschrank nach Ablauf dieser Zeit nicht wieder zu arbeiten beginnt.
- Der Kühlschrank taut ab. >>> Dies ist bei einem vollautomatisch abtauenden Kühlschrank völlig normal. Das Gerät taut von Zeit zu Zeit ab.
- Der Netzstecker ist nicht eingesteckt. >>> Überprüfen Sie, ob der Netzstecker richtig eingesteckt wurde.
- Die Temperatur ist nicht richtig eingestellt. >>> Wählen Sie eine geeignete Temperatur.
- Der Strom ist ausgefallen. >>> Sobald die Stromversorgung wiederhergestellt ist, nimmt der Kühlschrank den Betrieb wieder auf.

Das Betriebsgeräusch nimmt zu, wenn der Kühlschrank arbeitet.

- Das Leistungsverhalten des Kühlgerätes kann sich je nach Umgebungstemperatur ändern. Dies ist völlig normal und keine Fehlfunktion.

Der Kühlschrank arbeitet sehr intensiv oder über eine sehr lange Zeit.

Problemlösung

- Ihr neues Gerät ist vielleicht etwas breiter als sein Vorgänger. Große Kühlgeräte arbeiten oft etwas länger.
- Die Umgebungstemperatur ist eventuell sehr hoch. >>> Bei hohen Umgebungstemperaturen arbeitet das Gerät etwas länger.
- Der Kühlschrank wurde möglicherweise erst vor Kurzem in Betrieb genommen oder mit Lebensmitteln gefüllt. >>> Wenn der Kühlschrank erst vor Kurzem in Betrieb genommen oder mit Lebensmitteln gefüllt wurde, dauert es einige Zeit, bis er die eingestellte Temperatur erreicht. Dies ist normal.
- Kurz zuvor wurden größere Mengen warmer Speisen in den Kühlschrank gestellt. >>> Geben Sie keine warmen oder gar heißen Speisen in den Kühlschrank.
- Die Türen wurden häufig geöffnet oder längere Zeit nicht richtig geschlossen. >>> Der Kühlschrank muss länger arbeiten, weil warme Luft in den Innenraum eingedrungen ist. Verzichten Sie auf häufiges Öffnen der Türen.
- Die Türen des Kühl- oder Tiefkühlbereiches wurden nicht richtig geschlossen. >>> Vergewissern Sie sich, dass die Türen richtig geschlossen wurden.
- Die Kühlschranktemperatur ist sehr niedrig eingestellt. >>> Stellen Sie die Kühlschranktemperatur höher ein. Warten Sie dann ab, bis die gewünschte Temperatur erreicht ist.
- Die Türdichtungen von Kühl- oder Gefrierbereich sind verschmutzt, verschlissen, beschädigt oder sitzen nicht richtig. >>> Reinigen oder ersetzen Sie die Dichtung. Beschädigte oder defekte Dichtungen führen dazu, dass der Kühlschrank länger arbeiten muss, um die Temperatur halten zu können.

Die Temperatur im Tiefkühlbereich ist sehr niedrig, während die Temperatur im Kühlbereich normal ist.

- Die Tiefkühltemperatur ist sehr niedrig eingestellt. >>> Stellen Sie die Tiefkühltemperatur wärmer ein, prüfen Sie die Temperatur nach einer Weile.

Die Temperatur im Kühlbereich ist sehr niedrig, während die Temperatur im Tiefkühlbereich normal ist.

- Die Kühltemperatur ist sehr niedrig eingestellt. >>> Stellen Sie die Kühlbereichtemperatur wärmer ein, prüfen Sie die Temperatur nach einer Weile.

Im Kühlbereich gelagerte Lebensmittel frieren ein.

- Die Kühltemperatur ist sehr niedrig eingestellt. >>> Wählen Sie eine höhere Kühlbereichtemperatur, prüfen Sie die Temperatur nach einer Weile.

Die Temperatur im Kühl- oder Tiefkühlbereich ist sehr hoch.

Problemlösung

- Die Kühltemperatur ist sehr hoch eingestellt. >>> Die Kühlbereichstemperatur wirkt sich auf die Temperatur des Tiefkühlbereichs aus. Ändern Sie die Temperatur des Kühl- oder Tiefkühlbereichs und warten Sie, bis die entsprechenden Fächer eine geeignete Temperatur erreicht haben.
- Türen wurden häufig geöffnet oder längere Zeit nicht richtig geschlossen. >>> Verzichten Sie auf häufiges Öffnen der Türen.
- Die Tür steht offen. >>> Schließen Sie die Tür komplett.
- Der Kühlschrank wurde möglicherweise erst vor Kurzem in Betrieb genommen oder mit Lebensmitteln gefüllt. >>> Dies ist normal. Wenn der Kühlschrank erst vor Kurzem in Betrieb genommen oder mit Lebensmitteln gefüllt wurde, dauert es einige Zeit, bis er die eingestellte Temperatur erreicht.
- Kurz zuvor wurden größere Mengen warmer Speisen in den Kühlschrank gestellt. >>> Geben Sie keine warmen oder gar heißen Speisen in den Kühlschrank.

Vibrationen oder Betriebsgeräusche.

- Der Boden ist nicht eben oder nicht stabil genug. >>> Falls der Kühlschrank bei leichten Bewegungen wackelt, gleichen Sie ihn mit Hilfe seiner Füße aus. Achten Sie außerdem darauf, dass der Boden eben ist und das Gewicht des Kühlschranks problemlos tragen kann.
- Gegenstände, die auf dem Kühlschrank abgestellt wurden, können Geräusche verursachen. >>> Nehmen Sie die Gegenstände vom Kühlschrank.

Fließ- oder Spritzgeräusche sind zu hören.

- Aus technischen Gründen bewegen sich Flüssigkeiten und Gase innerhalb des Gerätes. Dies ist völlig normal und keine Fehlfunktion.

Der Kühlschrank pfeift.

- Zum gleichmäßigen Kühlen werden Ventilatoren eingesetzt. Dies ist völlig normal und keine Fehlfunktion.

Kondensation an den Kühlschrankinnenflächen.

- Bei heißen und feuchten Wetterlagen treten verstärkt Eisbildung und Kondensation auf. Dies ist völlig normal und keine Fehlfunktion.
- Türen wurden häufig geöffnet oder längere Zeit nicht richtig geschlossen. >>> Verzichten Sie auf häufiges Öffnen der Türen. Schließen Sie geöffnete Türen.
- Die Tür steht offen. >>> Schließen Sie die Tür komplett.

Feuchtigkeit sammelt sich an der Außenseite des Kühlschranks oder an den Türen.

- Eventuell herrscht hohe Luftfeuchtigkeit; dies ist je nach Wetterlage völlig normal. Die Kondensation verschwindet, sobald die Feuchtigkeit abnimmt.

Unangenehmer Geruch im Kühlschrank.

Problemlösung

- Der Kühlschrank wurde nicht regelmäßig gereinigt. >>> Reinigen Sie das Innere des Kühlschranks regelmäßig mit einem Schwamm, den Sie mit lauwarmem Wasser oder einer Natron-Wasser-Lösung angefeuchtet haben.
- Bestimmte Behälter oder Verpackungsmaterialien verursachen den Geruch. >>> Verwenden Sie andere Behälter oder Verpackungsmaterial einer anderen Marke.
- Lebensmittel wurden in offenen Behältern in den Kühlschrank gegeben. >>> Lagern Sie Lebensmittel in geschlossenen Behältern. Mikroorganismen, die aus unverschlossenen Behältern entweichen, können üble Gerüche verursachen.
- Nehmen Sie Lebensmittel mit abgelaufenem Mindesthaltbarkeitsdatum sowie verdorbene Lebensmittel aus dem Kühlschrank.

Die Tür lässt sich nicht schließen.

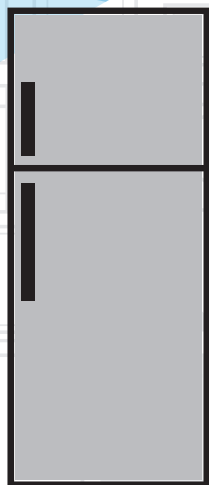
- Lebensmittelpackungen verhindern ein vollständiges Schließen der Tür. >>> Entfernen Sie die Verpackungen, welche die Tür blockieren.
- Der Kühlschrank steht nicht vollständig eben auf dem Boden. >>> Gleichen Sie den Kühlschrank mit Hilfe der Füße aus.
- Der Boden ist nicht eben oder nicht stabil genug. >>> Achten Sie darauf, dass der Boden eben ist und das Gewicht des Kühlschranks problemlos tragen kann.

Das Gemüsefach klemmt.

- Lebensmittel berühren eventuell den oberen Teil der Schublade. >>> Ordnen Sie die Lebensmittel in der Schublade anders an.

Koelkast

Gebruikershandleiding



FLI

beko

Lees deze handleiding voor u het product gebruikt!

Beste klant,

We willen optimale prestaties bereiken met onze producten die in moderne faciliteiten worden gefabriceerd met nauwgezette kwaliteitscontroles.

We raden daarom ook aan de volledige handleiding door te nemen voor u het product in gebruik neemt. Als het product wordt doorgegeven aan een derde persoon mag men niet vergeten de handleiding ook te overhandigen aan de nieuwe eigenaar samen met het product.

Deze handleiding helpt u uw product snel en veilig te gebruiken.

- Lees de gebruikershandleiding voor de installatie en bediening van het product.
- U moet de geldige veiligheidsinstructies altijd naleven.
- Bewaar de handleiding binnen handbereik voor een eventuele raadpleging in de toekomst.
- Lees alle andere documenten die worden geleverd met het product.

Vergeet niet dat deze handleiding van toepassing kan zijn op meerdere productmodellen. De handleiding vermeldt eventuele variaties tussen de verschillende modellen heel duidelijk.



Belangrijke informatie en handige tips.



Risico van fatale gevolgen en schade aan eigendom.



Risico van elektrische schokken.



De verpakking van het product is vervaardigd uit recyclebaar materiaal, in overeenstemming met de Nationale Milieuwetgeving.

1	Belangrijke Veiligheids- en omgevingsinstructies	3	4	Vorbereiding	12
1.1.	Algemene veiligheid	3	4.1.	Te nemen maatregelen om energie te besparen	12
1.1.1	HC waarschuwing	5	4.2.	Eerste gebruik.	12
1.1.2	Voor modellen met een waterfontein	5	5	Gebruik van het product	13
1.2.	Bedoeld gebruik	5	5.1.	Temperatuur regelknop	13
1.3.	Kinderveiligheid.	6	5.2.	Snel-vriezen	13
1.4.	Conformiteit met de WEEE-richtlijn en Verwijdering van afvalproducten	6	5.3.	Vakantiefunctie	14
1.5.	Conformiteit met de RoHS-richtlijn	6	5.4.	Sneeuw ontdooien.	14
1.6.	Informatie op de verpakking.	6	5.5.	Deur open alarm	15
2	Uw koelkast	7	5.7.	Eierhouder	16
3	Installatie	8	5.6.	IJslade	16
3.1.	Correcte plaats voor de installatie	8	5.8.	Ventilator	16
3.2.	De voetjes aanpassen	9	5.9.	Groentelade	16
3.3.	Elektrische aansluiting.	9	6	Onderhoud en reiniging	17
3.4.	De openingsrichting van de deur wijzigen.	9	6.1.	Onaangename geurtjes vermijden	17
3.5.	De deuren omkeren	10	6.2.	Plastic oppervlakten beschermen	17
3.6.	De deuren omkeren	11	7	Probleemoplossen	18

1 Belangrijke Veiligheids- en omgevingsinstructies

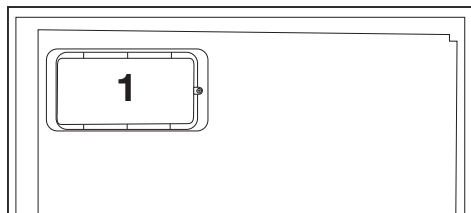
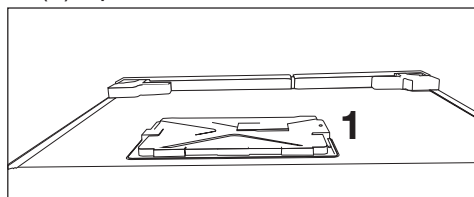
Deze sectie bevat de noodzakelijke veiligheidsinstructies om risico op letsels of materiële schade te vermijden. Het niet naleven van deze instructies resulteert in de nietigverklaring van alle mogelijke productgaranties.

1.1. Algemene veiligheid

- Dit product mag niet worden gebruikt door personen met fysieke, gevoelsmatige en mentale handicaps, door personen met onvoldoende kennis en ervaring of door kinderen. Het apparaat mag enkel worden gebruikt door dergelijke personen als ze onder toezicht en instructies staan van een persoon die verantwoordelijk is voor hun veiligheid. Kinderen mogen niet met dit apparaat spelen.
- Als er een defect optreedt, moet u de stekker verwijderen uit het stopcontact.
- Nadat u de stekker hebt verwijderd, moet u 5 minuten wachten voor u hem opnieuw in het stopcontact voert.
- Verwijder de stekker van het product uit het stopcontact als u het niet gebruikt.
- U mag het product niet aanraken met natte handen! Trek niet aan het netsnoer maar

houd het steeds vast bij de stekker.

- Wrijf de pinnen van de stekker af met een droge doek voor u hem in het stopcontact voert.
- U mag de stekker van de koelkast niet invoeren als het stopcontact los zit.
- Verwijder de stekker uit het stopcontact tijdens de installatie, onderhoudswerken, reiniging en reparaties.
- Als u het product gedurende een lange periode niet gebruikt, moet u de stekker van het product uit het stopcontact verwijderen en alle etenswaren verwijderen.
- Gebruik het product niet als het compartiment met circuitkaarten op het bovenste deel achteraan van het product (elektrische kaart doos deksel) (1) open is.



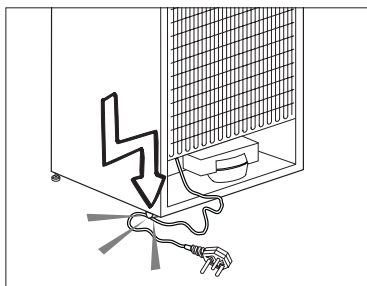
Belangrijke Veiligheids- en omgevingsinstructies

- Gebruik geen stoom of stoomreinigers om de koelkast te reinigen en het ijs te smelten. Stoom kan in contact komen met de geëlektrificeerde zones en kortsluitingen of elektrische schokken veroorzaken!
- U mag het product niet reinigen door er water op te verstuiven of te gieten! Gevaar van elektrische schokken!
- Als er een defect optreedt, mag u het product niet gebruiken want dit kan elektrische schokken veroorzaken. Neem contact op met de geautoriseerde dienst voor u iets doet.
- Voer de stekker in een geaard stopcontact. De aarding moet worden uitgevoerd door een gekwalificeerde elektricien.
- Als het product voorzien is van een LED-type verlichting moet u contact opnemen met de geautoriseerde dienstverlening om het te vervangen als er een probleem optreedt.
- Raak geen bevroren goederen aan met natte handen! Ze kunnen blijven plakken aan uw handen!
- Plaats geen vloeistoffen in flessen en blikjes in het vriesvak. Deze kunnen namelijk barsten!
- Plaats vloeistoffen rechtop nadat u het deksel stevig hebt gesloten.
- U mag geen ontvlambare stoffen in de buurt van het product verstuiven want deze kunnen branden of ontploffen.
- Bewaar geen ontvlambaar materiaal en producten met ontvlambaar gas (sprays, etc.) in de koelkast.
- Plaats geen containers met vloeistof bovenop het product. Water spatten op een geëlektrificeerd onderdeel kan elektrische schokken veroorzaken en fataal aflopen.
- Het product blootstellen aan regen, sneeuw, zonlicht en wind veroorzaakt elektrisch gevaar. Als u het product verplaatst, mag u er niet aan trekken bij het handvat. Het handvat kan los komen.
- Zorg ervoor uw handen of lichaam niet te klemmen in een van de bewegende delen van het product.
- U mag niet stappen of leunen op de deur, laden of

Belangrijke Veiligheids- en omgevingsinstructies

gelijkaardige delen van de koelkast. Dit kan er toe leiden dat het product valt en het kan schade veroorzaken aan de onderdelen.

- Let erop het netsnoer niet te klemmen.



1.1.1 HC waarschuwing

Als het product voorzien is van een koelsysteem met R600 gas moet u er op letten het koelsysteem en de leiding niet te beschadigen wanneer u het product gebruikt of verplaatst. Dit gas is ontvlambaar. Als het koelsysteem beschadigd is, moet u het product uit te buurt van brandhaarden houden en de ruimte onmiddellijk ventileren.



Het label links aan de binnenzijde geeft het type gas aan dat in het product wordt gebruikt.

1.1.2 Voor modellen met een waterfontein

- Om zeker te zijn dat het watersysteem in de koelkast correct werkt, moet de druk in de waterleiding tussen 1 en 8 bar liggen. U moet een drukregelaar gebruiken als de druk in de waterleiding hoger is dan 5 bar. Als de druk in de waterleiding hoger is dan 8 bar moet de koelkast aangesloten worden op het netwerk. Als u niet zeker bent hoe u de waterdruk moet meten, moet u professionele hulp inroepen.

- Gebruik enkel drinkwater.

1.2. Bedoeld gebruik

- Dit product is ontworpen voor huishoudelijk gebruik. Het is niet bedoeld voor commercieel gebruik.
- Het product mag enkel worden gebruikt om etenswaren en dranken op te slaan.
- U mag geen gevoelige producten bewaren die een gecontroleerde temperatuur vereisen (vaccins, warmtegevoelige medicatie,

Belangrijke Veiligheids- en omgevingsinstructies

medische producten, etc.) in de koelkast.

- De fabrikant aanvaardt geen verantwoordelijkheid voor eventuele schade als het gevolg van misbruik of een incorrecte hantering.
- De levensduur van het product is 10 jaar. De noodzakelijke reserveonderdelen voor de werking van het product zullen beschikbaar blijven tijdens deze periode.

1.3. Kinderveiligheid

- Houd de verpakking uit de buurt van kinderen.
- Laat kinderen nooit spelen met het product.
- Als de deur van het product voorzien is van een slot moet u ze uit de buurt van kinderen houden.

1.4. Conformiteit met de WEEE-richtlijn en Verwijdering van afvalproducten

Dit product is conform met de EU WEEE-richtlijn (2012/19/EU). Dit product draagt een classificatiesymbool voor afval elektrische en elektronische apparatuur (WEEE).



Dit product werd vervaardigd met kwalitatief hoogstaande onderdelen en materialen die opnieuw kunnen worden gebruikt en die geschikt zijn voor recycling.

U mag het afvalproduct niet verwijderen met het normale

huishoudelijke en andere afval aan het einde van de levensduur. Breng het naar een inzamelcentrum voor de recycling van elektrische en elektronische apparatuur. Raadpleeg uw lokale autoriteiten voor meer informatie over deze inzamelcentra.

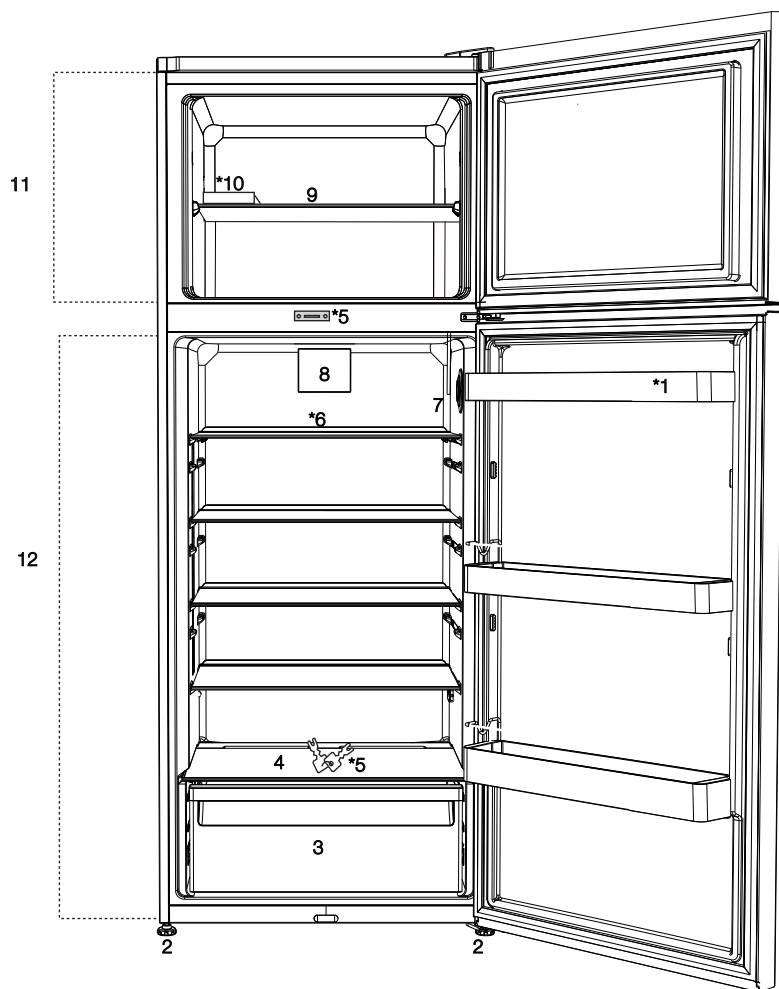
1.5. Conformiteit met de RoHS-richtlijn

- Dit product is conform met de EU WEEE-richtlijn (2011/65/EU). Het bevat geen schadelijk en verboden materiaal zoals gespecificeerd in de Richtlijn.

1.6. Informatie op de verpakking

- Het verpakkingsmateriaal van het product is gefabriceerd van recyclebaar materiaal in overeenstemming met onze Nationale Milieuwetgeving. U mag het verpakkingsmateriaal niet samen met het huishoudelijke of ander afval weggooien. Breng het naar de inzamelpunten voor verpakkingsmateriaal aangewezen door de lokale autoriteiten.

2 Uw koelkast



- | | |
|------------------------|--------------------------|
| 1. Deurlade | 7. Temperatuur regelknop |
| 2. Instelbare voetjes | 8. Ventilator |
| 3. Groentelade | 9. Vriesvak lade |
| 4. Deksel groentelade | 10. IJslade |
| 5. Slot en sleutel * | 11. Vriesvak |
| 6. Koelvak glazen lade | 12. Koelvak |



***optioneel:** Afbeeldingen in deze gebruikshandleiding zijn voorbeelden en stemmen mogelijk niet exact overeen met uw product. Als de onderdelen niet aanwezig zijn in het product dat u gekocht hebt, is de afbeelding geldig voor andere modellen.

3.1. Correcte plaats voor de installatie

Bel de geautoriseerde leverancier voor de installatie van het product. Om het product gebruiksklaar te maken, moet u er op letten dat de elektrische draden en waterleidingen geschikt zijn door de informatie te raadplegen in de handleiding. Zo niet moet u een gekwalificeerde elektricien en loodgieter inroepen en de nodige inrichtingen maken.



AARSCHUWING: De producent is niet aansprakelijk voor schade veroorzaakt door bewerkingen door niet-geautoriseerde personen.



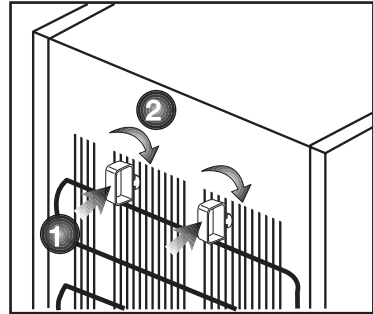
AARSCHUWING: Tijdens de installatie mag de stekker niet in het stopcontact worden gevoerd. Dit houdt namelijk een gevaar in voor een fatale afloop of ernstige letsels!



AARSCHUWING: Als de deur van de ruimte waar het product wordt geplaatst te smal is, kunt u het product op zijn zijde draaien; zo niet moet u beroep doen op een geautoriseerde service.

- Om schudden te vermijden, moet u het product op een vlakke ondergrond te plaatsen.
- Installeer het product minimum 30 cm verwijderd van warmtebronnen zoals het fornuis, radiatoren, kachels en minimum 5 cm van elektrische ovens.
- U mag het product niet blootstellen aan direct zonlicht en u mag het niet opslaan in een vochtige ruimte.
- Er moet voldoende luchtcirculatie zijn rond het product zodat het efficiënt kan werken. Als het product in een alkoof in de muur wordt geplaatst, moet u er voor zorgen dat er minimum 5 cm vrije ruimte is tussen het plafond en de zijwanden.
- Installeer het product niet in omgevingen met temperaturen van minder dan 10 °C.

- Bevestig 2 plastic wiggen zoals hieronder aangetoond. Plastic wiggen hebben als doel de afstand te houden die de luchtcirculatie zal garanderen tussen uw koelkast en de muur. (De foto dient als een vertegenwoordiging en het is niet identiek aan uw product.)



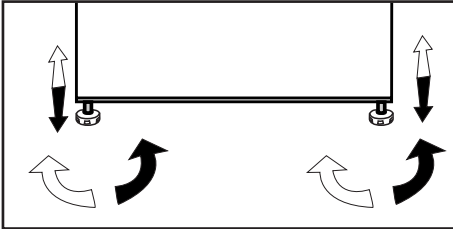
- De condensator van uw koelkast bevindt zich achteraan. Om de energie-efficiëntie te verhogen door het energieverbruik te verminderen, moet het bovenste deel van de condensator op de achterzijde van het product naar achter worden getrokken en vergrendeld zoals weergegeven in de foto. Als de condensator naar achter wordt getrokken, worden de rechtse en linkse bovenste houders vergrendeld en de positie van de condensator is vastgezet.



Installatie

3.2. De voetjes aanpassen

Als het product onstabiel staat, moet u dit aanpassen door de voorste instelvoetjes naar rechts of naar links te draaien.



3.3. Elektrische aansluiting



AARSCHUWING: Gebruik geen meervoudige stekkers of verlengsnoeren.



AARSCHUWING: Een beschadigd netsnoer moet worden vervangen door een Geautoriseerde Dienst.



Als er twee koelkasten naast elkaar worden geplaatst, moet er minimum 4 cm vrije ruimte tussen zijn.

- Ons bedrijf is niet aansprakelijk voor schade die kan optreden als het product zonder aarding en elektrische aansluitingen wordt gebruikt die overeenstemmen met de nationale reglementering.
- De netstekker moet gemakkelijk toegankelijk blijven na de installatie.
- Sluit uw koelkast aan op een geaard stopcontact met een spanning van 220-240V/50 Hz. De stekkers moeten voorzien zijn van een 10-16 A zekering.
- Gebruik geen multi-groep stopcontact met of zonder verlengsnoer tussen het stopcontact en de koelkast.

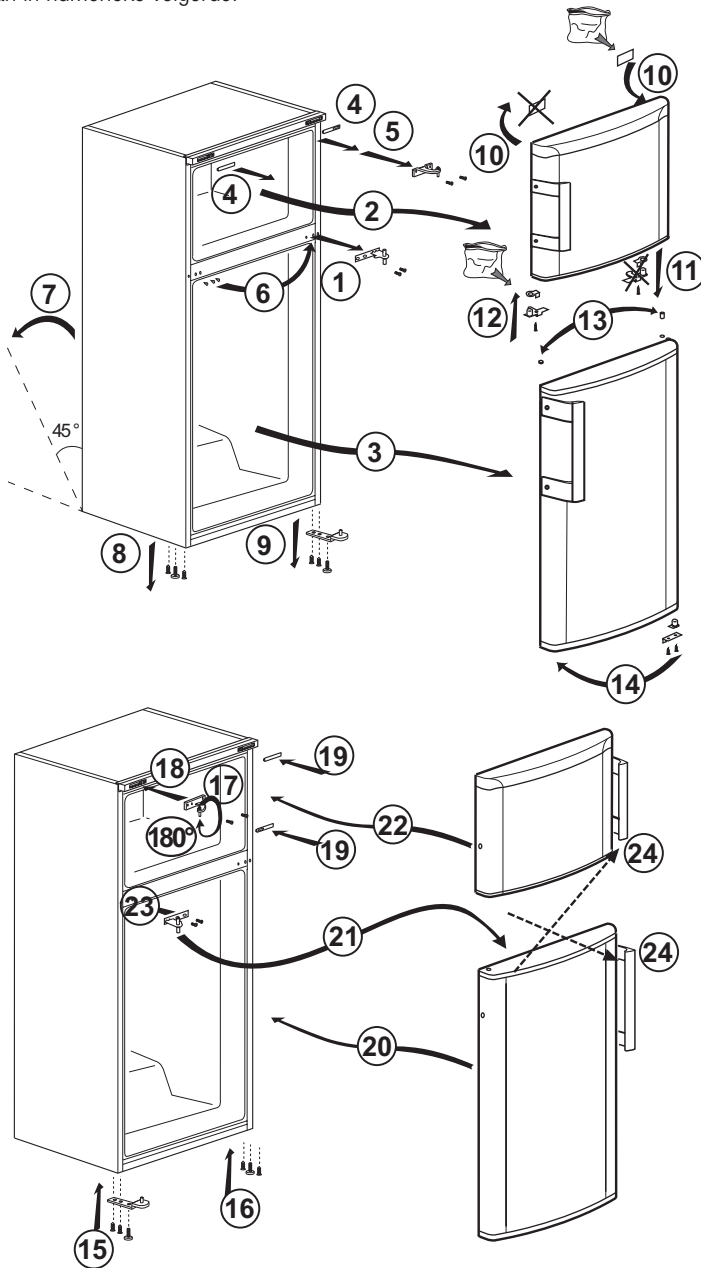
3.4. De openingsrichting van de deur wijzigen

Op basis van waar u het product gebruikt, kan de openingsrichting van uw koelkastdeur worden gewijzigd. Als dit nodig mocht blijken, moet u contact opnemen met uw dichtstbijzijnde geautoriseerde servicepunt.

Installatie

3.5. De deuren omkeren

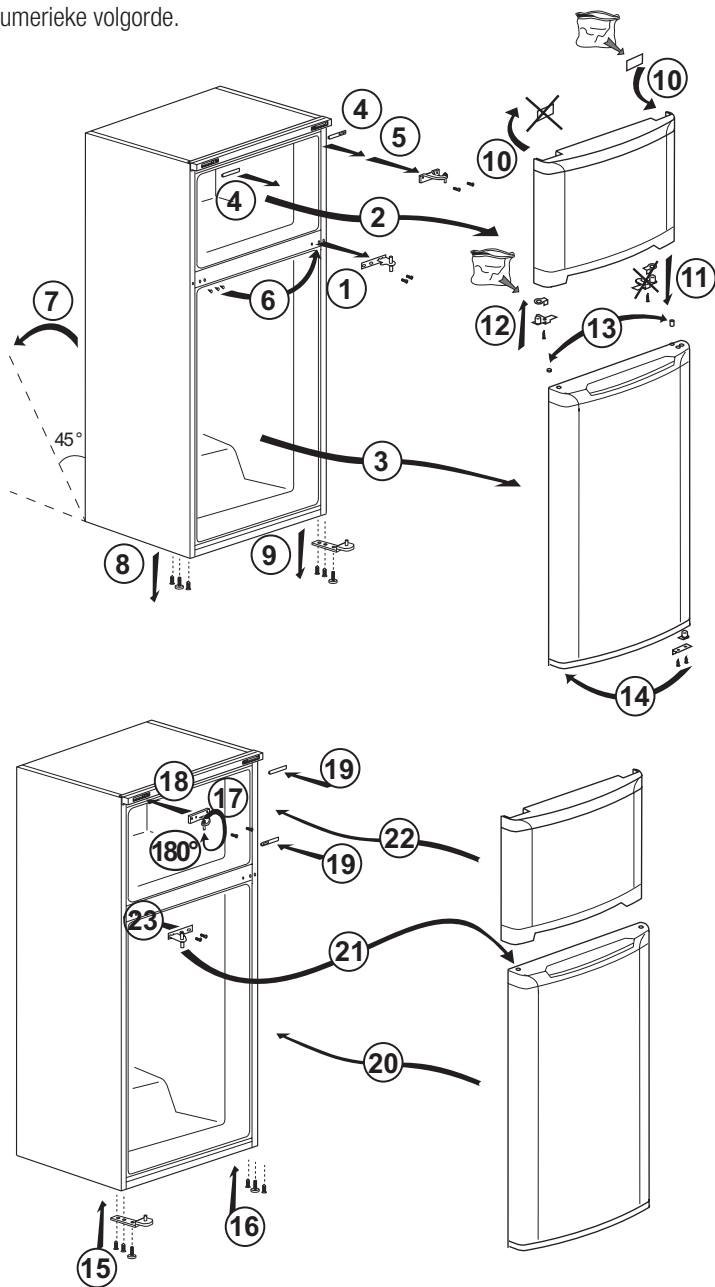
Doorgaan in numerieke volgorde.



Installatie

3.6. De deuren omkeren

Doorgaan in numerieke volgorde.



4 Voorbereiding

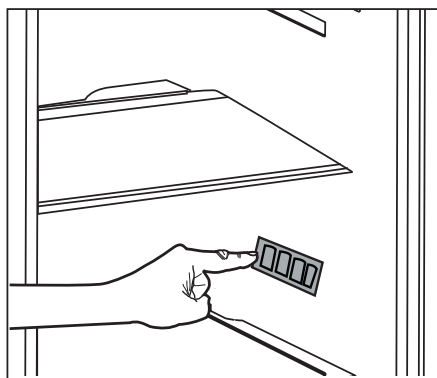
4.1. Te nemen maatregelen om energie te besparen



Het product verbinden met elektronische energiebesparende systemen is schadelijk want het kan uw product beschadigen.

- Laat de deuren van het product niet lang open staan.
- Plaats geen warme etenswaren of dranken in de koelkast.
- U mag het product niet te veel opvullen. Als de inlaatluchtcirculatie verminderd wordt, zal ook het koelvermogen dalen.
- Plaats uw etenswaren in het product in gesloten containers.
- U kunt een maximale hoeveelheid etenswaren bewaren in het vriesvak van het product wanneer u de lade uit de diepvriezer verwijderd. De energieverbruikswaarde vermeld voor het product werd bepaald door de vrieslade te verwijderen en bij maximum laadvermogen. U kunt een lade gebruiken naargelang de vormen en grootte van de in te vriezen etenswaren.
- De ingevroren etenswaren in het koelvak ontdooien biedt niet alleen energiebesparing op, het bewaart ook de kwaliteit van de etenswaren.
- Dit apparaat is ontworpen te werken bij omgevingstemperaturen tot 43°C. Het is uitgerust met een Geavanceerd elektronische temperatuur regelingssysteem waarmee u de ingevroren etenswaren in de diepvriezer kunt laten ontdooien, zelfs bij temperaturen van minder dan -15°C. Tijdens de eerste installatie mag het product NIET worden ingesteld met een lage temperatuur.
- De mandjes/laden in het koelvak moeten steeds in gebruik zijn voor een laag energieverbruik en voor betere opbergvoorwaarden.
- Als de etenswaren in contact staan met de temperatuursensor in het vriesvak kan het energieverbruik van het apparaat verhogen. Elk contact met de sensor(en) moet dus worden vermeden.

- De etenswaren mogen niet in contact komen met de temperatuursensor in het koelvak zoals aangegeven in de onderstaande afbeelding.



4.2. Eerste gebruik

Voor u de koelkast in gebruik neemt, moet u ervoor zorgen dat u de nodige voorbereidingen treft in overeenstemming met de instructies vermeld in de “Veiligheids- en omgevingsinstructies” en “Installatie” secties.

- Schakel het product in zonder etenswaren en laat het werken gedurende 6 uur. Open de deur niet tenzij absoluut noodzakelijk.



U hoort een geluidssignaal wanneer de compressor start. De vloeistoffen en gassen in het koelsysteem kunnen geluid weergeven, zelfs als de compressor niet werkt en dat geluid is normaal.



De voorste randen van het product kunnen opwarmen. Dit is normaal. Deze zones zijn ontworpen om op te warmen en condensatie te vermijden.

5.1. Temperatuur regelknop

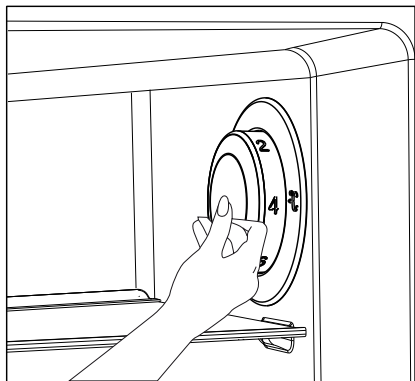
De interne temperatuur van uw koelkast kan variëren omwille van de volgende redenen:

- Seizoensgebonden temperaturen;
- Regelmatig openen van de deur en de deuren van het product lang open laten staan;
- Warme schotels in de koelkast geplaatst die afkoelen tot kamertemperatuur;
- De locatie van de koelkast in de ruimte (bijv. blootstelling aan de zon);
- U kunt de interne temperatuur aanpassen die varieert omwille van deze redenen met de regelknop;


De cijfers rond de instelknop geven de temperatuur aan in °C.

Als de temperatuur 25°C is, is het aanbevolen de temperatuur regelknop te gebruiken aan 4°C.

Bij andere temperaturen kan deze waarde verhoogd of verlaagd worden naargelang de noodzaak.



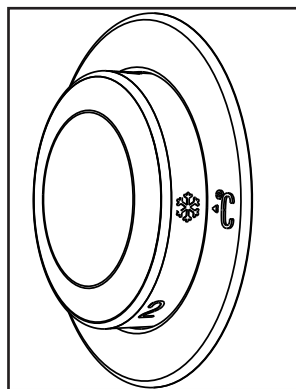
5.2. Snel-vriezen

Als u grote hoeveelheden verse etenswaren wilt invriezen, moet u de instelknop instellen op () gedurende 24 uur voor u de etenswaren in het vriesvak plaatst.

Om de maximum hoeveelheid verse etenswaren in te vriezen, is het aanbevolen de knop gedurende minimum 24 uur in deze positie te laten.


U mag geen etenswaren, die als ingevroren etenswaren worden verkocht, mengen met verse etenswaren.

Zodra de etenswaren ingevroren zijn, moet u de instelknop instellen op zijn vorige positie.



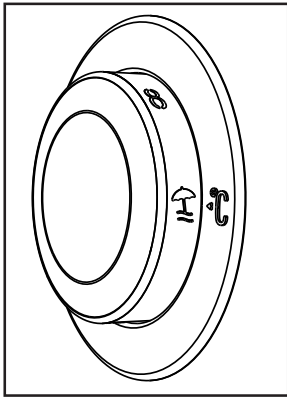
Gebruik van het product

5.3. Vakantiefunctie

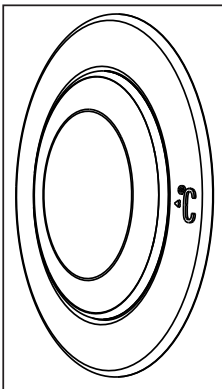
Als de deuren van het product minimum 12 uur niet geopend zijn nadat de instelknop de warmste stand () is ingesteld, wordt de vakantiefunctie automatisch ingeschakeld.

Om de functie te annuleren, moet u de instelknop wijzigen.

Wanneer de vakantiefunctie actief is, is het niet aanbevolen etenswaren op te slaan in het koelvak.



- Aan het einde van deze instelling kunt u de temperatuur instelknop verbergen door hem in te drukken.



5.4. Sneeuw ontdooien

Tijdens het koelen van uw koelkast kunnen waterdruppels en sneeuw tot 7-8 mm dik vormen op de binnenzijde van het koelvak. Deze formatie is normaal omwille van het koelsysteem.

De sneeuw in het koelvak wordt regelmatig ontdooid door middel van het automatisch ontdooisysteem in de binnenwand achteraan. U moet de sneeuw dus niet los schrapen of de waterdruppels reinigen.

Het water dat wordt gevormd tijdens het dooien stroomt in de verdampingschoteltjes achteraan in uw koelkast en verdampt daar. Het water stroomt naar de verdampingschoteltjes via een draineerbuis in de binnenwand achteraan. Controleer op specifieke intervallen of de draineerbuis geblokkeerd is en zo ja, moet u ze vrij maken.



Om de achteruitgang van de ingevroren etenswaren in het vriesvak te vermijden, mag u niet automatisch ontdooien. De sneeuwvorming in het vriesvak moet iedere 6 maanden worden ontdooid.

Hiervoor is het voornamelijk nodig de werking van uw koelkast te stoppen. Verwijder hiervoor de stekker.

Maak het vriesvak leeg. Bewaar uw ingevroren etenswaren op een koele plaats tijdens het dooiproces.

De deur van het vriesvak moet gesloten blijven tijdens het dooiproces.

Gebruik van het product

Wanneer de sneeuw volledig gedooid is, verwijdert u het water uit het vriesvak met een absorberende doek of spons en droogt u af. Om uw product in te schakelen, voert u de stekker opnieuw in het stopcontact.



WAARSCHUWING: Om het ontdooien in uw koelkast te versnellen mag u nooit kaarsen, gaslampen en verwarmingselementen gebruiken.



Voor u uw etensresten terugplaatst in het vriesvak moet u het eerst 2 uur laten draaien met de deuren gesloten en leeg.

5.5. Deur open alarm (Deze functie is optioneel)

Een hoorbaar alarm weerklinkt als de deur van uw product open wordt gelaten voor meer dan 1 minuut. Dit alarm wordt uitgeschakeld als de deur gesloten wordt of als een van de knoppen op het scherm (indien aanwezig) wordt ingedrukt.

Het deur open alarm waarschuwt de gebruiker zowel visueel als akoestisch. Als het alarm 10 minuten aanhoudt, schakelen de interne lichtjes uit.

Gebruik van het product

5.6. IJslade

- Verwijder de ijslade uit het vriesvak.
- Vul de ijslade met water.
- Plaats de ijslade in het vriesvak. Het ijs is klaar na ongeveer twee uur.
- Verwijder de ijslade uit het vriesvak en buig het zachtjes over de ijscontainer waarin u het ijs zult opdiepen. Het ijs kan eenvoudig worden gegoten in deze container.

5.7. Eierhouder

U kunt de eierhouder op elke deur of lade plaatsen. Als u hem op een lade wilt bevestigen, is het aanbevolen de onderste koude laden te gebruiken.

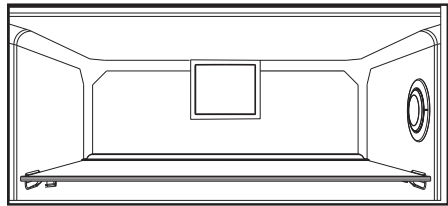


Plaats de eierhouder nooit in het vriesvak.

5.8. Ventilator

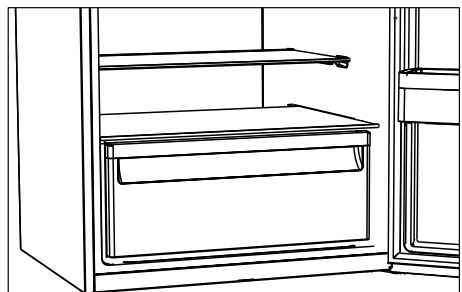
De ventilator werd ontworpen om er voor te zorgen dat de koude lucht in uw koelkast gelijkmatig verspreid wordt. De werktijd van de ventilator kan variëren naargelang de eigenschappen van uw product.

Waar in sommige producten de ventilator enkel werkt met de compressor bepaalt het besturingssysteem de tijdsduur dat hij zal werken in overeenstemming met de koelvereisten.



5.9. Groentelade

De groentelade is speciaal ontworpen om de groenten vers te houden zonder vocht te verliezen. Om die reden is de koude luchtcirculatie doorheen de groentelade geconcentreerd.



Het product regelmatig reinigen zal de levensduur verlengen.



WAARSCHUWING: Schakel de stroom uit voor u de koelkast reinigt.

- Gebruik geen scherpe en schurende hulpmiddelen, zeep, huishoudelijke reinigingsproducten, oplosmiddelen, gas, benzine, lak en gelijkaardige stoffen voor de reiniging.
- Laat een theelepel carbonaat oplossen in het water. Maak een doek nat in het water en wring hem uit. Wrijf het apparaat af met deze doek en droog grondig.
- Zorg ervoor water uit de buurt van het lampdeksel en andere elektrische onderdelen te houden.
- Maak de deur schoon met een natte doek. Verwijder alle items om de deur en laden te verwijderen. Hef de deurladen op om ze te verwijderen. Reinig en droog de laden en breng ze opnieuw aan door ze opwaarts te schuiven.
- Gebruik geen chloorwater of reinigingsproducten op de buitenzijde en de verchroomde onderdelen van het product. Chloor veroorzaakt roest op dergelijke metalen oppervlakten.
- Gebruik geen scherp schurend gereedschap, zeep, huishoudelijke reinigingsmiddelen, oplosmiddelen, kerosine, brandstofolie, vernis, etc. om te voorkomen dat de afdruk op het plastic deel zou verwijderd worden of loskomen. Gebruik lauw water en een zachte doek om het te reinigen en wrijf droog.

6.1. Onaangename geurtjes vermijden

Het product wordt gefabriceerd zonder slecht ruikend materiaal. Hoewel, als de etenswaren in incorrecte secties worden bewaard en een incorrecte reiniging van de interne oppervlakten kan resulteren in onaangename geurtjes.

Om dit te vermijden, moet u de binnenzijde iedere 15 dagen reinigen met zuurhoudend water.

- Bewaar de etenswaren in afgedekte containers. Micro-organismen kunnen zich verspreiden uit niet afgedekte etenswaren en onaangename geurtjes veroorzaken.
- Bewaar geen verstreken en bedorven etenswaren in de koelkast.

6.2. Plastic oppervlakten beschermen

Oliespatten op plastic oppervlakten kunnen de oppervlakte beschadigen en moeten onmiddellijk worden verwijderd met warm water.

Controleer deze lijst voor u contact opneemt met de dienst. Dit kan u tijd en geld besparen. Deze lijst omvat regelmatig voorkomende klachten die niet het resultaat zijn van gebrekking vakmanschap of materiaal. Sommige functies die hier worden vermeld zijn mogelijk niet van toepassing op uw product.

De koelkast werkt niet.

- De stekker is niet volledig ingevoerd. >>> Voer de stekker volledig in het stopcontact.
- De zekering verbonden met de aansluiting die het product van stroom voorziet of de hoofdzekering is gesprongen. >>> Controleer de zekeringen.

Condensatie op de zijwand van het koelvak (MULTI ZONE, COOL, CONTROL en FLEXI ZONE).

- De omgeving is te koud. >>> Installeer het product niet in omgevingen met temperaturen van minder dan -5°C.
- De deur werd te vaak geopend >>> Zorg ervoor de deur van het product niet te vaak wordt geopend.
- De omgeving is te vochtig. >>> Installeer het product niet in vochtige omgevingen.
- Etenswaren met vloeistoffen worden bewaard in niet afgedekte containers. >>> Bewaar de etenswaren die vloeistof bevatten in afgedekte containers.
- De deur van het product werd open gelaten. >>> Houd de deur van het product niet te lang open.
- De thermostaat is ingesteld op een te lage temperatuur. >>> Stel de thermostaat in op de gewenste temperatuur.

De compressor werkt niet.

- In het geval van een plotse stroompanne of als het netsnoer wordt verwijderd en opnieuw ingevoerd, is de gasdruk in het koelproduct van het product niet in evenwicht en dit schakelt de thermische beveiliging van de compressor in. Het product start opnieuw op na circa 6 minuten. Als het product na deze periode niet opnieuw start, moet u contact opnemen met de dienst.
- De ontdoofunctie is actief. >>> Dit is normaal voor een volledig automatisch ontdooiend product. Het ontdoeien wordt periodiek uitgevoerd.
- De stekker van het product zit niet in het stopcontact. >>> Zorg ervoor dat de stekker in het stopcontact zit.
- De temperatuurinstelling is incorrect. >>> Selecteer de correcte temperatuurinstelling.
- De stroom is uitgeschakeld. >>> Het product blijft normaal werken zodra de stroom opnieuw wordt ingeschakeld.

Het operationele lawaai van de koelkast wordt erger als ze in gebruik is.

- De operationele prestaties van het product kunnen variëren naargelang de wisselingen in de omgevingstemperatuur. Dit is normaal en houdt geen defect in.

De koelkast schakelt te vaak in of schakelt te lang in.

Probleemplossen

- Het nieuwe product kan groter zijn dan het vorige. Grotere producten werken gedurende langere perioden.
- De temperatuur in de ruimte kan hoog zijn. >>> Het product zal normaal werken gedurende lange perioden bij hogere kamertemperaturen.
- Het is mogelijk dat de stekker van het product recent in het stopcontact werd gevoerd of dat nieuwe etenswaren in het product werden geplaatst. >>> Het duurt langer voor het product om de ingestelde temperatuur te bereiken als het recent in het stopcontact werd gestoken of als er nieuwe etenswaren in het product werden geplaatst. Dit is normaal.
- Het is mogelijk dat er recent grote hoeveelheden warme etenswaren in het product werden geplaatst. >>> Plaats geen warme etenswaren in het product.
- De deuren werden vaak geopend of open gehouden voor lange perioden. >>> De warm lucht die in het product circuleert, zal ervoor zorgen dat het product langer moet werken. Open de deur niet te vaak.
- De deur van de diepvriezer of het koelvak kan op een kier staan. >>> Controleer of de deur volledig gesloten is.
- Het product kan ingesteld zijn op een te lage temperatuur. >>> Stel de temperatuur hoger in en wacht tot het product de ingestelde temperatuur bereikt.
- De sluitring van de koelvak of vriesvak deur kan vuil zijn, versleten of stuk zijn of incorrect aangebracht. >>> Reinig of vervang de sluitring. Een beschadigde / versleten deur sluitring kan er toe leiden dat het product langere perioden werkt om de huidige temperatuur te handhaven.

De temperatuur in het vriesvak is uiterst laag maar de temperatuur in het koelvak is geschikt.

- De temperatuur in het vriesvak is bijzonder laag ingesteld. >>> Stel de temperatuur van het vriesvak in op een hogere temperatuur en controleer opnieuw.

De temperatuur in het vriesvak is uiterst laag maar de temperatuur in het vriesvak is geschikt.

- De temperatuur in het koelvak is bijzonder laag ingesteld. >>> Stel de temperatuur van het vriesvak in op een hogere temperatuur en controleer opnieuw.

De etenswaren in de laden van het koelvak zijn bevroren.

- De temperatuur in het koelvak is bijzonder laag ingesteld. >>> Stel de temperatuur van het vriesvak in op een hogere temperatuur en controleer opnieuw.

De temperatuur in het koelvak of de diepvriezer is te hoog.

- De temperatuur in het koelvak is bijzonder hoog ingesteld. >>> Temperatuurstellingen van het koelvak heeft een invloed op de temperatuur in het vriesvak. Wacht tot de temperatuur van de relevante onderdelen het correcte niveau bereikt door de temperatuur van het koel- en vriesvak te wijzigen.
- De deuren werden vaak geopend of open gehouden voor lange perioden. >>> Open de deur niet te vaak.
- De deur mag niet op een kier staan. >>> Sluit de deur volledig.
- Het is mogelijk dat de stekker van het product recent in het stopcontact werd gevoerd of dat nieuwe etenswaren in het product werden geplaatst. >>> Dit is normaal. Het duurt langer voor het product om de ingestelde temperatuur te bereiken als het recent in het stopcontact werd gestoken of als er nieuwe etenswaren in het product werden geplaatst.
- Het is mogelijk dat er recent grote hoeveelheden warme etenswaren in het product werden geplaatst. >>> Plaats geen warme etenswaren in het product.

Schudden of lawaai.

Probleemoplossen

- De grond is niet horizontaal of duurzaam. >>> Als het product schudt wanneer het langzaam wordt verplaatst, moet u de voetjes instellen om het product in evenwicht te brengen. Zorg er ook voor dat de vloer voldoende duurzaam is om het product te kunnen dragen.
- Alle voorwerpen die op het product zijn geplaatst, kunnen lawaai veroorzaken. >>> Verwijder alle voorwerpen die op het product werden geplaatst.

Het product maakt lawaai van stromende vloeistof, sprays, etc.

- De operationele principes van het product omvatten vloeistoffen en gassen >>> Dit is normaal en houdt geen defect in.

Er komt een windgeluid voort uit het product.

- Het product gebruikt een ventilator voor de koelprocedure. Dit is normaal en houdt geen defect in.

Er is condensatie op de interne wanden van het product.

- Warme of vochtige weersomstandigheden verhogen ijsvorming en condensatie. Dit is normaal en houdt geen defect in.
- De deuren werden vaak geopend of open gehouden voor lange perioden. >>> U mag de deur niet te vaak openen; als ze open staat, moet u de deur sluiten.
- De deur mag niet op een kier staan. >>> Sluit de deur volledig.

Er is condensatie aanwezig op de buitenzijde van het product of tussen de deuren.

- Het weer kan vochtig zijn. Dit is normaal in vochtige weersomstandigheden. >>> De condensatie zal verdwijnen naarmate de vochtigheidsgraad daalt.

De binnenzijde ruikt slecht.

- Het product wordt niet regelmatig gereinigd. >>> Maak de binnenzijde regelmatig schoon met een spons, warm water en koolzuurhoudend water.
- Sommige containers en verpakkingsmateriaal kunnen geurtjes afgeven. >>> Gebruik de containers en het verpakkingsmateriaal zonder geurtjes.
- De etenswaren werden in niet afgedekte containers geplaatst. >>> Bewaar de etenswaren in afgedekte containers. Micro-organismen kunnen zich verspreiden uit niet afgedekte etenswaren en onaangename geurtjes veroorzaken. Verwijder alle verstreken of bedorven etenswaren uit het product.

De deur sluit niet.

- De verpakkingen van etenswaren mogen de deur niet blokkeren. >>> Verplaats alle voorwerpen die de deur blokkeren.
- Het product staat niet recht op de vloer. >>> Pas de voetjes aan om het product in evenwicht te brengen.
- De grond is niet horizontaal of duurzaam. >>> Zorg ervoor dat de vloer horizontaal is en voldoende duurzaam om het product te kunnen dragen.

Het groentevak is geblokkeerd.

- De etenswaren kunnen in contact komen met de bovenste sectie van de lade. >>> Herschik de etenswaren in de lade.



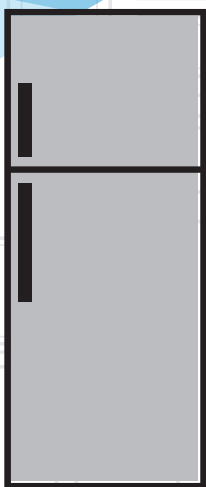
WAARSCHUWING: Als het probleem aanhoudt nadat u de instructies in deze sectie hebt gevolgd, kunt u contact opnemen met uw verkoper of een Geautoriseerde Dienst. Probeer het product niet te repareren.



57 5782 0000/AD
1/2
en-fr-de-fl

Refrigerator

User manual



RDSE465K31W
RDSE465K30W

EL




beko


- Αγαπητέ Πελάτη,
- Θα θέλαμε να έχετε τη μέγιστη απόδοση από το προϊόν μας, το οποίο κατασκευάστηκε σε μοντέρνες εγκαταστάσεις με σχολαστικούς ελέγχους ποιότητας.
- Για το σκοπό αυτό, διαβάστε πλήρως τις οδηγίες χρήσης πριν χρησιμοποιήσετε το προϊόν και φυλάξτε τις ως πηγή αναφοράς. Αν παραδώσετε το προϊόν σε άλλο άτομο, παραδώστε μαζί και αυτές τις οδηγίες.

Οι οδηγίες χρήσης διασφαλίζουν τη γρήγορη και ασφαλή χρήση του προϊόντος.

- Διαβάστε τις οδηγίες χρήσης πριν την εγκατάσταση και τη λειτουργία του προϊόντος.
- Πάντα να τηρείτε τις εφαρμόσιμες οδηγίες ασφαλείας.
- Να διατηρείτε τις οδηγίες χρήσης σε σημείο με εύκολη πρόσβαση, για μελλοντική χρήση.
- Παρακαλούμε να διαβάστε και οποιαδήποτε άλλη τεκμηρίωση συνοδεύει το προϊόν.
- Να έχετε υπόψη σας ότι αυτές οι οδηγίες χρήσης μπορεί να έχουν εφαρμογή σε περισσότερα από ένα μοντέλα του προϊόντος. Ο οδηγός υποδεικνύει με σαφήνεια τυχόν παραλλαγές των διάφορων μοντέλων.

- **Σύμβολα και παρατηρήσεις**
- **Στις οδηγίες χρήσης χρησιμοποιούνται τα ακόλουθα σύμβολα:**

	Σημαντικές πληροφορίες και χρήσιμες συμβουλές.
	Κίνδυνος για τη ζωή και την περιουσία.
	Κίνδυνος ηλεκτροπληξίας.

	Η συσκευασία του προϊόντος είναι κατασκευασμένη από ανακυκλώσιμα υλικά σύμφωνα με την Εθνική νομοθεσία προστασίας του περιβάλλοντος.
---	--

Πίνακας περιεχομένων

1 Οδηγίες για την ασφάλεια και το περιβάλλον	3	5 Χρήση του προϊόντος	15
1.1. Γενική ασφάλεια	3	5.1. Περιστροφικό κουμπί ρύθμισης θερμοκρασίας	15
1.1.1 Προειδοποίηση HC	5	5.2. Ταχεία κατάψυξη	15
1.1.2 Για μοντέλα με διανομέα νερού	5	5.3. Λειτουργία Διακοπών	16
1.2. Προβλεπόμενη χρήση	6	5.4. Απόψυξη πάχνης	16
1.3. Ασφάλεια των παιδιών	6	5.5. Προειδοποίηση ανοικτής πόρτας	17
1.4. Συμμόρφωση με την Οδηγία περί ΑΗΕΕ και απόρριψη του προϊόντος στο τέλος της ωφέλιμης ζωής του	6	5.6. Προειδοποίηση ανοικτής πόρτας	17
1.5. Συμμόρφωση με την Οδηγία RoHS	7	5.7. Παγοθήκη	17
1.6. Πληροφορίες για τη συσκευασία	7	5.8. Θήκη αυγών	18
		5.9. Ανεμιστήρας	18
		5.10 Συρτάρι λαχανικών	18
2 Ψυγείο	8	6 Συντήρηση και καθαρισμός	19
3 Εγκατάσταση	9	6.1. Αποτροπή δυσάρεστων οσμών	19
3.1. Σωστή θέση εγκατάστασης	9	6.2. Προστασία των πλαστικών επιφανειών	19
3.2. Τοποθέτηση των πλαστικών αποστατών	9	7 Επίλυση προβλημάτων	20
3.3. Ρύθμιση των ποδιών	10		
3.4. Σύνδεση ρεύματος	10		
3.5. Αλλαγή της φοράς ανοίγματος των πορτών	10		
3.6. Αντιστροφή της φοράς ανοίγματος των πορτών	11		
3.7. Αντιστροφή της φοράς ανοίγματος των πορτών	12		
4 Προετοιμασία	13		
4.1. Τι πρέπει να γίνεται για εξοικονόμηση ενέργειας	13		
4.2. Πρώτη χρήση	14		

1 Οδηγίες για την ασφάλεια και το περιβάλλον

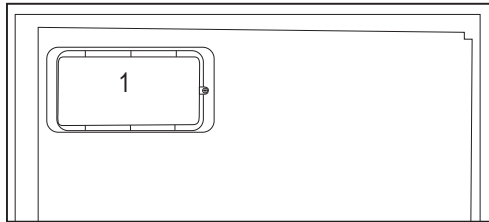
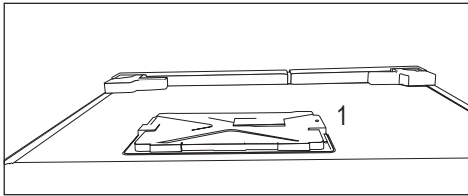
- Αυτή η ενότητα παρέχει τις οδηγίες ασφαλείας που είναι απαραίτητες για την αποτροπή κινδύνου τραυματισμού και υλικής ζημιάς. Η μη τήρηση αυτών των οδηγιών θα ακυρώσει κάθε τύπο εγγύησης του προϊόντος.

1.1. Γενική ασφάλεια

- Αυτό το προϊόν δεν πρέπει να χρησιμοποιείται από άτομα με μειωμένες σωματικές, αισθητηριακές και πνευματικές ικανότητες, από άτομα που δεν έχουν επαρκή γνώση και εμπειρία και από παιδιά. Η συσκευή αυτή μπορεί να χρησιμοποιείται από τέτοια άτομα υπό την επίβλεψη και καθοδήγηση ατόμου υπεύθυνου για την ασφάλειά τους. Δεν πρέπει να επιτρέπεται σε παιδιά να παίζουν με αυτή τη συσκευή.
- Σε περίπτωση δυσλειτουργίας, αποσυνδέστε τη συσκευή από την πρίζα.
- Μετά την αποσύνδεση της συσκευής από την πρίζα, περιμένετε τουλάχιστον 5 λεπτά πριν τη συνδέσετε πάλι. Αποσυνδέετε το προϊόν από την πρίζα όταν δεν χρησιμοποιείται. Μην αγγίζετε το φιν ρευματοληψίας με υγρά χέρια! Μην τραβάτε το καλώδιο για αποσύνδεση από την πρίζα, πάντα να τραβάτε μόνο το φιν.
- Σκουπίστε τους ακροδέκτες του φιν ρευματοληψίας με ένα στεγνό πανί πριν συνδέσετε το φιν στην πρίζα.
- Μη συνδέσετε το ψυγείο στην πρίζα, αν η πρίζα δεν είναι καλά στερεωμένη.
- Αποσυνδέετε το προϊόν πριν από εργασίες εγκατάστασης, συντήρησης, καθαρισμού και επισκευής.
- Αν το προϊόν δεν πρόκειται να χρησιμοποιηθεί για μεγάλο χρονικό διάστημα, αποσυνδέστε το από την πρίζα και αφαιρέστε όλα τα τρόφιμα από το εσωτερικό του.
- Μη χρησιμοποιείτε ατμό ή μέσα καθαρισμού που παράγουν ατμό για τον καθαρισμό του ψυγείου και την τήξη του πάγου στο εσωτερικό του. Ο ατμός μπορεί να έρθει σε επαφή με σημεία που βρίσκονται υπό τάση και να προκαλέσει βραχυκύκλωμα ή ηλεκτροπληξία!

Οδηγίες για την ασφάλεια και το περιβάλλον

- Μην πλένετε το προϊόν ψεκάζοντας ή χύνοντας νερό πάνω του! Κίνδυνος ηλεκτροπληξίας!
- Σε καμία περίπτωση μη χρησιμοποιήσετε το προϊόν αν είναι ανοικτό το τμήμα στο πάνω ή πίσω μέρος του προϊόντος που περιέχει τις πλακέτες τυπωμένων κυκλωμάτων (κάλυμμα τυπωμένων κυκλωμάτων) (1).

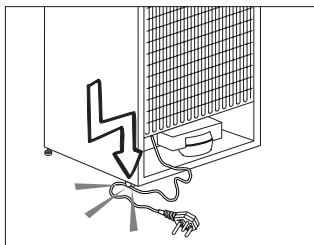


- Σε περίπτωση δυσλειτουργίας μη χρησιμοποιήσετε το προϊόν, γιατί κάτι τέτοιο θα μπορούσε να είναι αιτία ηλεκτροπληξίας. Πριν κάνετε οτιδήποτε απευθυνθείτε σε εξουσιοδοτημένο σέρβις.

- Συνδέστε το προϊόν σε πρίζα με γείωση. Η γείωση πρέπει να έχει γίνει από εξειδικευμένο ηλεκτρολόγο.
- Αν το προϊόν διαθέτει φωτισμό τύπου LED, απευθυνθείτε σε εξουσιοδοτημένο σέρβις για αντικατάσταση ή σε περίπτωση οποιουδήποτε προβλήματος.
- Μην αγγίζετε κατεψυγμένα τρόφιμα με υγρά χέρια! Μπορεί να κολλήσουν στα χέρια σας!
- Μην τοποθετείτε μέσα στο θάλαμο κατάψυξης υγρά σε μπουκάλια ή μεταλλικά κουτάκια. Μπορεί να σκάσουν!
- Τοποθετείτε τα δοχεία υγρών σε όρθια θέση με σφιχτά κλεισμένο το κάλυμμα.
- Μην ψεκάζετε εύφλεκτες ουσίες κοντά στο προϊόν, γιατί μπορεί να προκληθεί φωτιά ή έκρηξη.
- Μη διατηρείτε μέσα στο ψυγείο εύφλεκτα υλικά και προϊόντα που περιέχουν εύφλεκτο αέριο (σπρέι κλπ.).
- Μην τοποθετείτε πάνω στο προϊόν δοχεία που περιέχουν υγρά. Τυχόν πισσίλισμα νερού πάνω σε εξάρτημα υπό τάση μπορεί να προκαλέσει ηλεκτροπληξία και κίνδυνο φωτιάς.

Οδηγίες για την ασφάλεια και το περιβάλλον

- Η έκθεση του προϊόντος σε βροχή, χιόνι, ηλιακή ακτινοβολία και άνεμο θα προκαλέσει ηλεκτρικό κίνδυνο. Όταν αλλάζετε θέση στο προϊόν, μην το τραβήξετε από τη λαβή της πόρτας. Η λαβή μπορεί να αποκολληθεί.
- Προσέξτε να αποφύγετε την παγίδευση οποιουδήποτε τμήματος των χεριών ή του σώματός σας σε οποιοδήποτε από τα κινούμενα μέρη στο εσωτερικό του προϊόντος.
- Μην ανεβαίνετε και μη στηρίζετε στην πόρτα, τα συρτάρια και παρόμοια μέρη του ψυγείου. Κάτι τέτοιο θα προκαλέσει πτώση του προϊόντος και ζημιά στα μέρη της συσκευής.
- Προσέξτε να μην παγιδευτεί το καλώδιο ρεύματος.



1.1.1 Προειδοποίηση ΗC

- Αν το προϊόν περιλαμβάνει ψυκτικό σύστημα που χρησιμοποιεί το αέριο R600a, προσέξτε να αποφύγετε την

πρόκληση ζημιάς στο ψυκτικό σύστημα και στους σωλήνες τους όταν χρησιμοποιείτε και μεταφέρετε το προϊόν. Αυτό το αέριο είναι εύφλεκτο. Αν έχει υποστεί ζημιά το ψυκτικό σύστημα, κρατήστε το προϊόν μακριά από πηγές φλόγας ή σπινθήρες και αερίστε αμέσως το δωμάτιο.



Η ετικέτα στην εσωτερική αριστερή πλευρά υποδεικνύει τον τύπο αερίου που χρησιμοποιείται στο προϊόν.

1.1.2 Για μοντέλα με διανομέα νερού

- Η μέγιστη πίεση για την είσοδο κρύου νερού θα είναι 90 psi (6,2 bar). Αν η πίεση νερού υπερβαίνει τα 80 psi (5,5 bar), χρησιμοποιήστε μια βαλβίδα περιορισμού πίεσης στο σύστημα παροχής νερού σας. Αν δεν γνωρίζετε πώς να ελέγξετε την πίεση νερού, ζητήστε τη βοήθεια επαγγελματία υδραυλικού.
- Αν υπάρχει κίνδυνος φαινομένου υδραυλικού πλήγματος (απότομη μεταβολής πίεσης του νερού) στην εγκατάστασή σας,

Οδηγίες για την ασφάλεια και το περιβάλλον

- πάντα να χρησιμοποιείτε στην εγκατάσταση εξοπλισμό αποτροπής του υδραυλικού πλήγματος. Συμβουλευτείτε επαγγελματίες υδραυλικούς αν δεν είστε σίγουροι ότι δεν υπάρχει φαινόμενο υδραυλικού πλήγματος στην εγκατάστασή σας.
- Μην εγκαταστήσετε στην είσοδο ζεστού νερού. Λάβετε μέτρα προφύλαξης έναντι του κινδύνου να παγώσουν οι εύκαμπτοι σωλήνες. Η περιοχή θερμοκρασιών νερού λειτουργίας είναι από ελάχιστη 0,6 °C (33 °F) έως μέγιστη 38 °C (100 °F).
 - Να χρησιμοποιείτε μόνο πόσιμο νερό.

1.2. Προβλεπόμενη χρήση

- Αυτό το προϊόν έχει σχεδιαστεί για οικιακή χρήση. Δεν προορίζεται για επαγγελματική χρήση.
- Το προϊόν θα πρέπει να χρησιμοποιείται μόνο για τη φύλαξη τροφίμων και ποτών.
- Μη διατηρείτε μέσα στο ψυγείο ευαίσθητα προϊόντα που χρειάζονται ελεγχόμενες θερμοκρασίες (εμβόλια, φάρμακα ευαίσθητα στη θερμοκρασία, ιατρικά υλικά κλπ.).

- Ο κατασκευαστής δεν αποδέχεται καμία ευθύνη για οποιαδήποτε ζημία λόγω κακής χρήσης ή κακής μεταχείρισης.
- Η ωφέλιμη διάρκεια ζωής του προϊόντος είναι 10 έτη. Για την περίοδο αυτή θα είναι διαθέσιμα τα ανταλλακτικά που είναι απαραίτητα για το προϊόν.

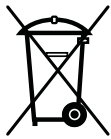
1.3. Ασφάλεια των παιδιών

- Κρατάτε τα υλικά συσκευασίας μακριά από τα παιδιά.
- Μην επιτρέπετε σε παιδιά να παίζουν με το προϊόν.
- Αν η πόρτα του προϊόντος περιλαμβάνει κλειδαριά, κρατάτε το κλειδί μακριά από παιδιά.

1.4. Συμμόρφωση με την Οδηγία περί ΑΗΕΕ και απόρριψη του προϊόντος στο τέλος της ωφέλιμης ζωής του

Αυτό το προϊόν συμμορφώνεται με την Οδηγία ROHS (περιορισμού χρήσης ορισμένων επικίνδυνων ουσιών) της ΕΕ (2012/19/ΕΕ).

Οδηγίες για την ασφάλεια και το περιβάλλον



Το προϊόν αυτό φέρει ένα σύμβολο ταξινόμησης για απόβλητα ηλεκτρικού και ηλεκτρονικού εξοπλισμού (ΑΗΗΕ). Αυτό το προϊόν έχει κατασκευαστεί με εξαρτήματα και υλικά υψηλής ποιότητας τα οποία μπορούν να

επαναχρησιμοποιηθούν και είναι κατάλληλα για ανακύκλωση. Στο τέλος της ωφέλιμης ζωής του προϊόντος, μην το απορρίψετε μαζί με τα κανονικά οικιακά και άλλα απόβλητα.

Παραδώστε το σε κέντρο συλλογής για την ανακύκλωση ηλεκτρικού και ηλεκτρονικού εξοπλισμού. Για να μάθετε περισσότερα σχετικά με αυτά τα κέντρα συλλογής, απευθυνθείτε στις τοπικές σας αρχές.

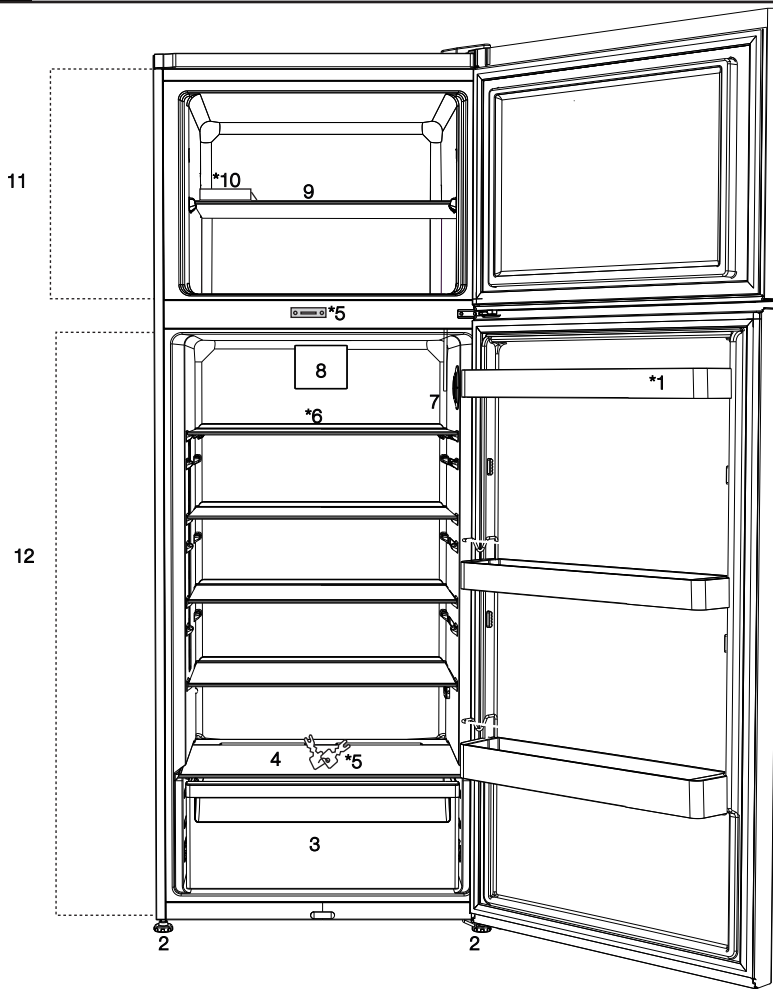
1.5. Συμμόρφωση με την Οδηγία RoHS

- Αυτό το προϊόν συμμορφώνεται με την Οδηγία ROHS (περιορισμού χρήσης ορισμένων επικίνδυνων ουσιών) της ΕΕ (2011/65/ΕΕ). Δεν περιέχει επιβλαβή και απαγορευμένα υλικά που καθορίζονται στην Οδηγία.

1.6. Πληροφορίες για τη συσκευασία

- Τα υλικά συσκευασίας του προϊόντος κατασκευάζονται από ανακυκλώσιμα υλικά σύμφωνα με του Εθνικούς μας Κανονισμούς Προστασίας του Περιβάλλοντος. Μην απορρίψετε τα υλικά συσκευασίας μαζί με οικιακά ή άλλα απορρίμματα. Παραδώστε τα στα σημεία συλλογής υλικών συσκευασίας που έχουν οριστεί από τις τοπικές αρχές.

2 Ψυγείο



1. Ράφι πόρτας
2. Ρυθμιζόμενα πόδια
3. Συρτάρι λαχανικών
4. Κάλυμμα συρταριών λαχανικών
5. Κλειδαριά και κλειδί *
6. Γυάλινο ράφι θαλάμου συντήρησης
7. Περιστροφικό κουμπί ρύθμισης θερμοκρασίας
8. Ανεμιστήρας
9. Ράφι χώρου κατάψυξης
10. Παγοθήκη
11. Χώρος Κατάψυξης
12. Χώρος Συντήρησης



*Προαιρετικός εξοπλισμός: Οι εικόνες σε αυτές τις οδηγίες χρήσης είναι σχηματικές και μπορεί να μην ταιριάζουν ακριβώς στο προϊόν σας. Αν το προϊόν σας δεν περιλαμβάνει τα σχετικά εξαρτήματα, οι πληροφορίες αφορούν άλλα μοντέλα.

3 Εγκατάσταση

3.1. Σωστή θέση εγκατάστασης

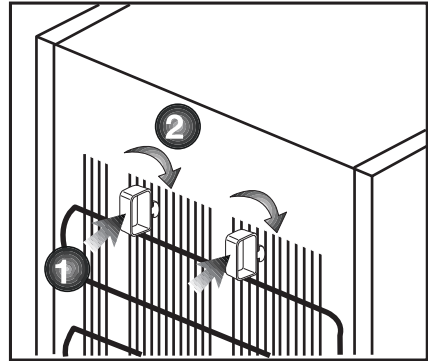
Για την εγκατάσταση του προϊόντος, απευθυνθείτε στο Εξουσιοδοτημένο σέρβις. Για να ετοιμάσετε το προϊόν για εγκατάσταση, ανατρέξτε στις πληροφορίες των οδηγιών χρήσης και βεβαιωθείτε ότι οι παροχές ρεύματος και νερού είναι σύμφωνες με τις απαιτήσεις. Διαφορετικά, καλέστε ηλεκτρολόγο και/ή υδραυλικό για την απαιτούμενη προετοιμασία των παροχών.

	ΠΡΟΕΙΔΟΠΟΙΗΣΗ: Ο κατασκευαστής δεν αποδέχεται καμία ευθύνη για οποιαδήποτε ζημία προκύψει από εργασίες που εκτελέστηκαν από μη εξουσιοδοτημένα άτομα.
	ΠΡΟΕΙΔΟΠΟΙΗΣΗ: Το καλώδιο ρεύματος του προϊόντος πρέπει να είναι αποσυνδεδεμένο από την πρίζα κατά την εγκατάσταση. Σε αντίθετη περίπτωση, μπορεί να προκληθεί θάνατος ή σοβαροί τραυματισμοί!
	ΠΡΟΕΙΔΟΠΟΙΗΣΗ: Αν το άνοιγμα της πόρτας του δωματίου είναι πολύ μικρό για να περάσει το προϊόν, αφαιρέστε την πόρτα και γυρίστε το προϊόν στο πλάι. Αν και αυτό δεν ωφελήσει, απευθυνθείτε στο εξουσιοδοτημένο σέρβις.

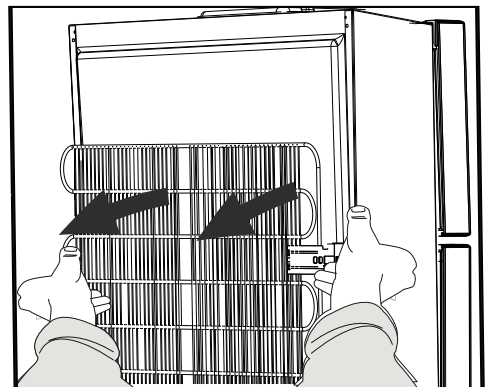
- Τοποθετήστε το προϊόν σε επίπεδη επιφάνεια, για να αποφύγετε κραδασμούς.
- Τοποθετήστε το προϊόν τουλάχιστον 30 cm μακριά από σύμπα, συσκευή κουζίνας και παρόμοιες πηγές θερμότητας και τουλάχιστον 5 cm από ηλεκτρικούς φούρνους.
- Μην εκθέτετε το προϊόν σε άμεση ηλιακή ακτινοβολία και μην το κρατάτε σε περιβάλλον με υγρασία.
- Το προϊόν χρειάζεται επαρκή κυκλοφορία αέρα για να λειτουργεί αποδοτικά. Αν το προϊόν πρόκειται να τοποθετηθεί μέσα σε εσοχή του τοίχου, θυμηθείτε να αφήσετε απόσταση τουλάχιστον 5 cm ανάμεσα στο προϊόν και την οροφή ή τα τοιχώματα.
- Μην εγκαταστήσετε το προϊόν σε περιβάλλον με θερμοκρασία κάτω από -5°C .

3.2. Τοποθέτηση των πλαστικών αποστατών

Μπορείτε να τοποθετήσετε τις 2 πλαστικές σφήνες όπως δείχνει η εικόνα. Οι πλαστικές σφήνες θα παρέχουν την απαιτούμενη απόσταση ανάμεσα στο ψυγείο σας και τον τοίχο ώστε να επιτρέπεται η κυκλοφορία του αέρα. (Το παρουσιαζόμενο σχήμα είναι μόνο ενδεικτικό και δεν αντιστοιχεί απόλυτα στο προϊόν σας.)

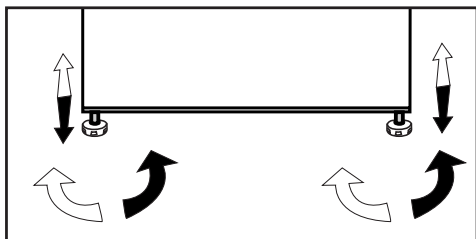


- Ο συμπυκνωτής της συσκευής σας βρίσκεται στο πίσω μέρος όπως φαίνεται παρακάτω. Για να επιτύχετε καλύτερη ενεργειακή απόδοση με μικρότερη κατανάλωση ενέργειας, τραβήξτε το συμπυκνωτή προς το μέρος σας όπως φαίνεται στην παρακάτω εικόνα. Ο συμπυκνωτής θα στερεωθεί σταθερά στη θέση του με το μηχανισμό ασφάλισης στις πάνω υποδοχές σε κάθε πλευρά.



3.3. Ρύθμιση των ποδιών

Αν το προϊόν δεν έχει ισορροπήσει καλά στη θέση του, ρυθμίστε τα μπροστινά ρυθμιζόμενα πόδια περιστρέφοντάς τα δεξιά ή αριστερά.



3.5. Αλλαγή της φοράς ανοίγματος των πορτών

Η κατεύθυνση που ανοίγουν οι πόρτες του ψυγείου σας μπορεί να αλλάξει ανάλογα με τη θέση όπου το χρησιμοποιείτε. Αν χρειάζεται να γίνει αυτό, καλέστε το πλησιέστερό σας Εξουσιοδοτημένο σέρβις.

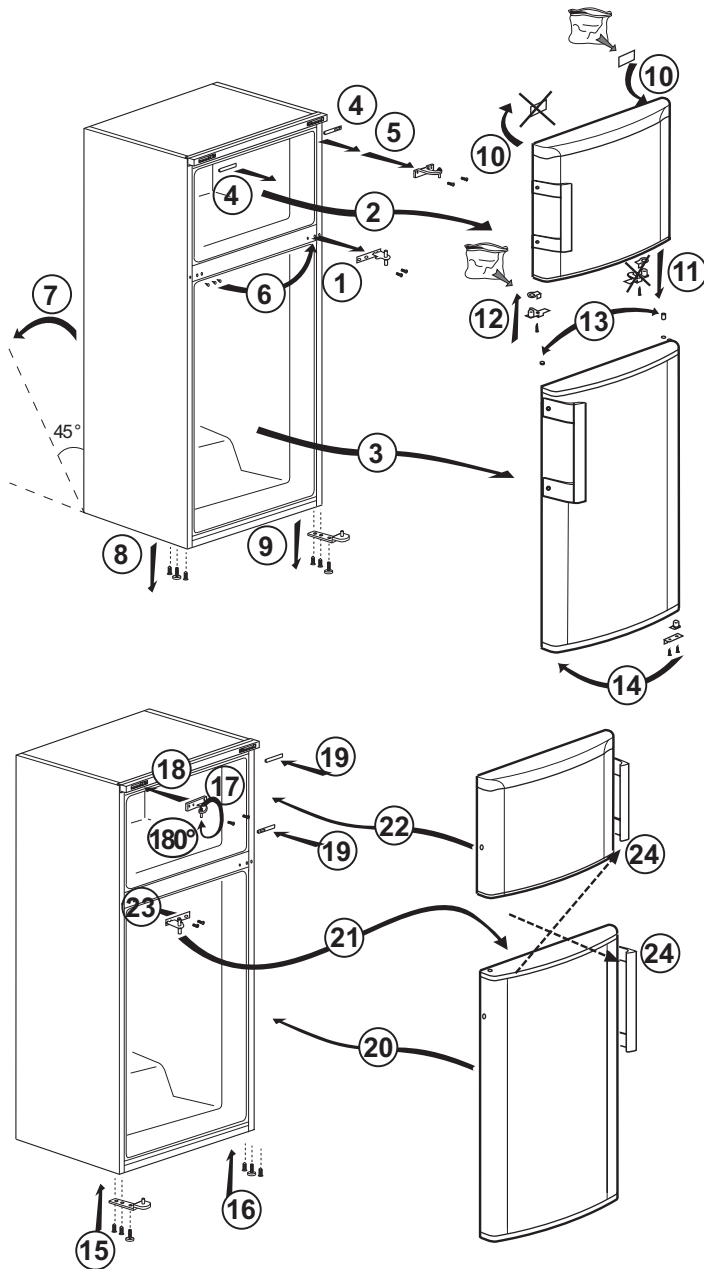
3.4. Σύνδεση ρεύματος

	ΠΡΟΕΙΔΟΠΟΙΗΣΗ: Μη χρησιμοποιείτε καλώδια επέκτασης ή πολύπριζα για τη σύνδεση ρεύματος.
	ΠΡΟΕΙΔΟΠΟΙΗΣΗ: Αν το καλώδιο έχει υποστεί ζημιά, πρέπει να αντικατασταθεί από το εξουσιοδοτημένο σέρβις.
	Όταν τοποθετείτε δύο ψυγεία το ένα δίπλα στο άλλο, αφήστε απόσταση τουλάχιστον 4 cm ανάμεσα στις δύο μονάδες.

- Η εταιρεία μας δεν θα αναλάβει ευθύνη για οποιεσδήποτε ζημιές λόγω χρήσης του προϊόντος χωρίς γείωση και χωρίς σύνδεση ρεύματος που συμμορφώνεται με τους εθνικούς κανονισμούς.
- Το φις του καλωδίου ρεύματος πρέπει να είναι εύκολα προσπελάσιμο μετά την εγκατάσταση.
- Συνδέστε το ψυγείο σε γειωμένη πρίζα ρεύματος 220-240V/50 Hz. Το φις πρέπει να περιλαμβάνει ασφάλεια 10-16 A.
- Μη χρησιμοποιείτε πολύπριζο με ή χωρίς καλώδιο επέκτασης ανάμεσα στην πρίζα τοίχου και στο ψυγείο.

Εγκατάσταση

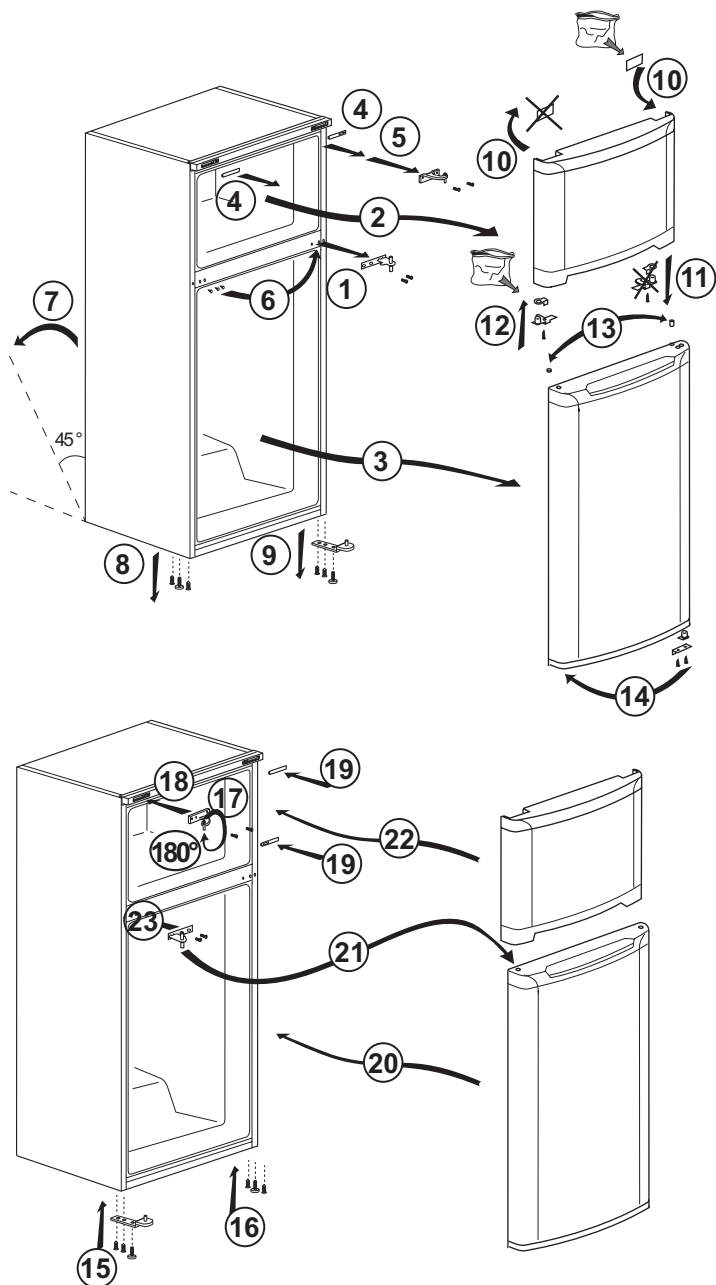
3.6. Αντιστροφή της φοράς ανοίγματος των πορτών



Εγκατάσταση

3.7. Αντιστροφή της φοράς ανοίγματος των πορτών

Προχωρήστε σύμφωνα με την σειρά των αριθμών.



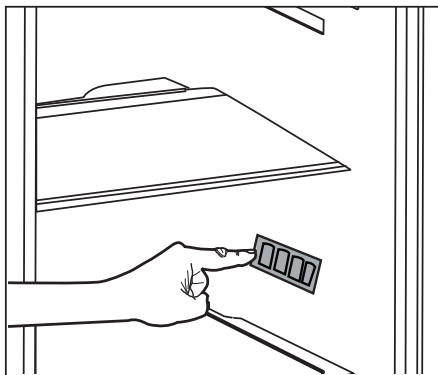
4 Προετοιμασία

4.1. Τι πρέπει να γίνεται για εξοικονόμηση ενέργειας



Η σύνδεση του προϊόντος σε ηλεκτρονικό σύστημα εξοικονόμησης ενέργειας είναι επιβλαβής, γιατί μπορεί να προκαλέσει ζημιά στο προϊόν.

- Μην αφήνετε τις πόρτες του προϊόντος σας ανοικτές για μεγάλο χρονικό διάστημα.
- Μην τοποθετείτε ζεστά φαγητά ή ποτά μέσα στο προϊόν.
- Μην υπερφορτώνετε το προϊόν. Όταν μειώνεται η κυκλοφορία του αέρα εισόδου, μειώνεται η ψυκτική του ικανότητα.
- Αποθηκεύετε τα τρόφιμά σας μέσα στο προϊόν σε κλειστά δοχεία.
- Μπορείτε να φορτώσετε τη μέγιστη ποσότητα τροφίμων στο θάλαμο κατάψυξης του προϊόντος αφαιρώντας το ράφι του θαλάμου κατάψυξης. Η αναφερόμενη τιμή κατανάλωσης ενέργειας για τη συσκευή σας προσδιορίστηκε ενώ είχε αφαιρεθεί το ράφι της κατάψυξης και με το μέγιστο φορτίο τροφίμων. Δεν υπάρχει πρόβλημα από τη χρήση ραφίου ανάλογα με τα σχήματα και τα μεγέθη των τροφίμων που πρόκειται να καταψυχθούν.
- Η απόψυξη των κατεψυγμένων τροφίμων στο χώρο συντήρησης θα προσφέρει και εξοικονόμηση ενέργειας και καλύτερη διατήρηση της ποιότητας των τροφίμων.
- Αυτή η συσκευή έχει σχεδιαστεί να λειτουργεί σε θερμοκρασία περιβάλλοντος έως 43 °C (90 °F). Η συσκευή είναι εξοπλισμένη με προηγμένο ηλεκτρονικό σύστημα ελέγχου της θερμοκρασίας που της επιτρέπει να διατηρεί τα κατεψυγμένα τρόφιμα στο θάλαμο κατάψυξης ακόμα και αν η θερμοκρασία περιβάλλοντος μειωθεί ως τους -15 °C. Όταν εγκατασταθεί πρώτη φορά το προϊόν, ΔΕΝ ΠΡΕΠΕΙ



να τοποθετηθεί σε χαμηλές θερμοκρασίες περιβάλλοντος.

- Πρέπει να χρησιμοποιείτε πάντα τα καλάθια/ συρτάρια που παρέχονται με το διαμέρισμα έντονης ψύξης, για χαμηλή κατανάλωση ενέργειας και καλύτερες συνθήκες φύλαξης των τροφίμων.
- Η επαφή τροφίμων με τον αισθητήρα θερμοκρασίας στο θάλαμο κατάψυξης μπορεί να αυξήσει την κατανάλωση ενέργειας της συσκευής. Επομένως πρέπει να αποφεύγετε κάθε επαφή τροφίμων με τον αισθητήρα (τους αισθητήρες).
- Μην επιτρέπετε την επαφή των τροφίμων με τον αισθητήρα θερμοκρασίας του θαλάμου συντήρησης που φαίνεται στην παρακάτω εικόνα.

4.2. Πρώτη χρήση

Πριν χρησιμοποιήσετε πρώτη φορά το ψυγείο σας, βεβαιωθείτε ότι έχουν γίνει οι απαραίτητες προετοιμασίες σύμφωνα με τις οδηγίες στις ενότητες "Οδηγίες για την ασφάλεια και το περιβάλλον" και "Εγκατάσταση".

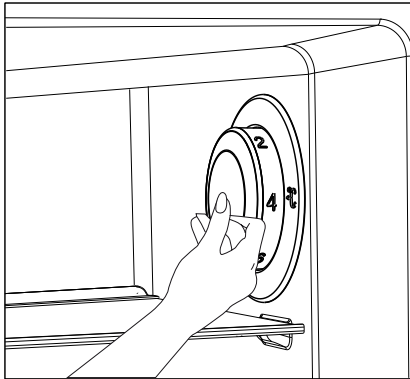
- Αφήστε το προϊόν να λειτουργήσει 6 ώρες πριν τοποθετήσετε τρόφιμα και μην ανοίξετε την πόρτα του εκτός αν είναι απαραίτητο.



Θα ακούσετε ένα θόρυβο όταν αρχίσει η λειτουργία του συμπιεστή. Τα υγρά και τα αέρια που είναι συμπιεσμένα μέσα στο ψυκτικό σύστημα μπορούν επίσης να προκαλέσουν θόρυβο, ακόμα και όταν δεν λειτουργεί ο συμπιεστής, και αυτό είναι πολύ φυσιολογικό.



Οι μπροστινές πλευρές του προϊόντος μπορεί να είναι ζεστές. Αυτό είναι φυσιολογικό. Οι περιοχές αυτές έχουν σχεδιαστεί ώστε να θερμαίνονται για να αποτρέπεται η συμπύκνωση.

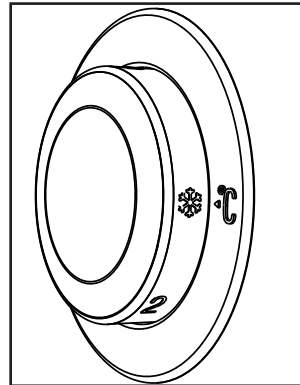


Σε άλλες θερμοκρασίες περιβάλλοντος μπορείτε να αυξήσετε ή να μειώσετε αυτήν την τιμή όπως απαιτείται.

5.2. Ταχεία κατάψυξη

Αν θέλετε να καταψύξετε μεγάλες ποσότητες νωπών τροφίμων, θέστε το κουμπί ταχείας κατάψυξης στη θέση (❄) 24 ώρες πριν τοποθετήσετε τα τρόφιμα στο χώρο ταχείας κατάψυξης. Για να καταψύξετε τη μέγιστη ποσότητα νωπών τροφίμων που αναφέρεται ως ικανότητα κατάψυξης, συνιστούμε να διατηρήσετε το περιστροφικό κουμπί σε αυτή τη θέση τουλάχιστον για 24 ώρες. Προσέξτε ιδιαίτερα να μην καταψύχετε μαζί ήδη κατεψυγμένα τρόφιμα και νωπά τρόφιμα.

Αφού καταψυχθούν τα τρόφιμα, θυμηθείτε να επαναφέρετε το περιστροφικό κουμπί ρύθμισης θερμοκρασίας στην προηγούμενη θέση του.



5.1. Περιστροφικό κουμπί ρύθμισης θερμοκρασίας

Η εσωτερική θερμοκρασία του ψυγείου μεταβάλλεται, σε συνάρτηση με τα εξής αίτια:

- Εποχική διακύμανση θερμοκρασίας περιβάλλοντος,
- Συχνό άνοιγμα της πόρτας και παραμονή της πόρτας ανοικτής για πολλή ώρα.
- Φαγητό που τοποθετείται ζεστό στο ψυγείο, πριν ψυχθεί σε θερμοκρασία δωματίου.
- Θέση του ψυγείου στο δωμάτιο (π.χ. έκθεση σε ηλιακή θερμότητα).
- Χρησιμοποιώντας το περιστροφικό κουμπί ρύθμισης, μπορείτε να ρυθμίσετε την εσωτερική θερμοκρασία που μεταβάλλεται εξαιτίας αυτών των αιτίων.

Οι αριθμοί γύρω από το περιστροφικό κουμπί ρύθμισης δείχνουν τις τιμές θερμοκρασίας σε °C".

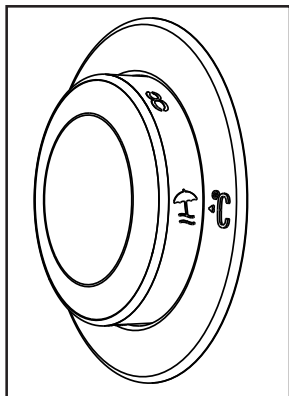
Αν η θερμοκρασία περιβάλλοντος είναι 25 °C, συνιστάται να ρυθμίσετε το περιστροφικό κουμπί ρύθμισης του ψυγείου στους 4 °C.



***προαιρετικός εξοπλισμός:** Οι εικόνες σε αυτές τις οδηγίες χρήσης είναι σχηματικές και μπορεί να μην ταιριάζουν ακριβώς στο προϊόν σας. Αν το προϊόν σας δεν περιλαμβάνει τα σχετικά εξαρτήματα, οι πληροφορίες αφορούν άλλα μοντέλα.

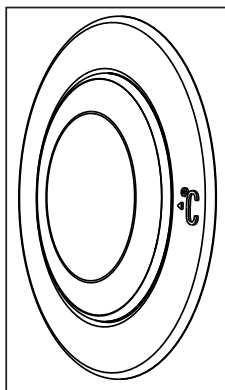
5.3. Λειτουργία Διακοπών

Αν οι πόρτες του προϊόντος δεν ανοιχτούν για τουλάχιστον 12 ώρες μετά την τοποθέτηση του περιστροφικού κουμπιού ελέγχου θερμοκρασίας στην πιο θερμή θέση (↑), τότε η λειτουργία Διακοπών θα ενεργοποιηθεί αυτόματα. Για να ακυρώσετε αυτή τη λειτουργία, αλλάξτε τη ρύθμιση του περιστροφικού κουμπιού.



Όταν είναι ενεργή η λειτουργία διακοπών, δεν συνιστάται η αποθήκευση τροφίμων στο χώρο συντήρησης.

- Αφού ολοκληρωθεί η διαδικασία ρύθμισης, μπορείτε να αποκρύψετε το περιστροφικό κουμπί ρύθμισης θερμοκρασίας πιέζοντάς το μέσα.



5.4. Απόψυξη πάχνης

Κατά την ψύξη του ψυγείου, σταγονίδια νερού και πάχνη, πάχους έως 7-8 χλστ. σχηματίζονται στο εσωτερικό πίσω τοίχωμα του θαλάμου συντήρησης. Το φαινόμενο αυτό είναι φυσιολογικό αποτέλεσμα της λειτουργίας του συστήματος ψύξης.

Η πάχνη που σχηματίζεται στο θάλαμο συντήρησης απομακρύνεται με απόψυξη σε τακτά διαστήματα μέσω του αυτόματου συστήματος απόψυξης που περιέχεται στο εσωτερικό πίσω τοίχωμα. Επομένως, δεν χρειάζεται να ξύνετε την πάχνη και να καθαρίζετε τις σταγόνες νερού.

Το νερό που παράγεται κατά την απόψυξη κυλά ως το δίσκο εξάτμισης στο πίσω μέρος του ψυγείου σας και εκεί εξατμίζεται αυτόματα.

Το νερό κυλά ως το δίσκο εξάτμισης μέσω ενός σωλήνα αποστράγγισης που περιέχεται στο εσωτερικό πίσω τοίχωμα. Σε τακτά διαστήματα ελέγχετε αν είναι φραγμένος ο σωλήνας αποστράγγισης και αν είναι ανοιγέτέ τον.



Για να αποφευχθεί η αλλοίωση των καταψυγμένων τροφίμων στο θάλαμο κατάψυξης, δεν γίνεται αυτόματη απόψυξη. Η πάχνη που σχηματίζεται στο θάλαμο κατάψυξης πρέπει να αποψύχεται κάθε 6 μήνες.

Για τη διαδικασία απόψυξης της πάχνης, είναι απαραίτητο να σταματήσετε τη λειτουργία του ψυγείου σας. Για το σκοπό αυτό, αποσυνδέστε το φισ ρευματοληψίας.

Αδειάστε το θάλαμο κατάψυξης.

Διατηρήστε τα κατεψυγμένα σας τρόφιμα σε δροσερό μέρος κατά τη διαδικασία της απόψυξης της πάχνης.

Χρήση του προϊόντος

Η πόρτα του θαλάμου κατάψυξης πρέπει να διατηρείται κλειστή κατά τη διαδικασία απόψυξης.

Όταν έχει αποψυχθεί πλήρως η πάχνη που είχε σχηματιστεί, απομακρύνετε το νερό που έχει συλλεγεί στο χώρο κατάψυξης χρησιμοποιώντας ένα πανί ή σφουγγάρι και κατόπιν σκουπίστε για να στεγνώσετε το χώρο.

Για να θέσετε σε λειτουργία τη συσκευή σας, επανασυνδέστε το φως ρευματοληψίας.



ΠΡΟΕΙΔΟΠΟΙΗΣΗ: Για να επιταχύνετε την απόψυξη στο ψυγείο σας, ποτέ μη χρησιμοποιήσετε υλικά όπως κεριά, λάμπες αερίου και συσκευές θέρμανσης.



Πριν τοποθετήσετε τα τρόφιμά σας πάλι στο θάλαμο συντήρησης, αφήστε τον να λειτουργήσει για 2 ώρες με τις πόρτες κλειστές και κενό από τρόφιμα.

5.5. Προειδοποίηση ανοικτής πόρτας (προαιρετικό)

Όταν η πόρτα του χώρου συντήρησης ή κατάψυξης της συσκευής σας παραμείνει ανοικτή για ορισμένη χρονική περίοδο, θα παραχθεί μια ηχητική ειδοποίηση. Αυτό το ηχητικό σήμα προειδοποίησης θα σταματήσει όταν πατηθεί οποιοδήποτε πλήκτρο πάνω στον πίνακα ενδείξεων ή όταν κλείσει η πόρτα.

5.6. Προειδοποίηση ανοικτής πόρτας (Αυτή η λειτουργία είναι προαιρετική)

Θα παράγεται ένα ηχητικό σήμα προειδοποίησης όταν η πόρτα της συσκευής σας έχει παραμείνει ανοικτή για τουλάχιστον 1 λεπτό. Αυτή η προειδοποίηση θα σταματήσει όταν κλείσετε την πόρτα ή αν πατήσετε οποιοδήποτε από τα κουμπιά της οθόνης (αν διατίθεται).

Η προειδοποίηση ανοικτής πόρτας που παρέχεται είναι και οπτική και ηχητική. Αν η προειδοποίηση συνεχιστεί για 10 λεπτά, τα εσωτερικά φώτα θα σβήσουν.

5.7. Παγοθήκη

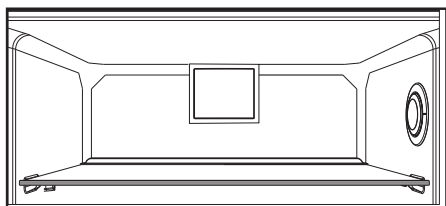
- Αφαιρέστε την παγοθήκη από το θάλαμο κατάψυξης.
- Γεμίστε την παγοθήκη με νερό.
- Τοποθετήστε την παγοθήκη στο θάλαμο κατάψυξης. Ο πάγος θα είναι έτοιμος σε περίπου δύο ώρες.
- Αφαιρέστε την παγοθήκη από το θάλαμο κατάψυξης και λυγίστε την ελαφρά πάνω από το δοχείο πάγου όπου θα σεβρίρετε τον πάγο. Ο πάγος θα πέσει εύκολα στο δοχείο πάγου.

5.8. Θήκη αυγών

Μπορείτε να τοποθετήσετε τη θήκη αυγών σε οποιοδήποτε ράφι πόρτας ή κυρίως ράφι επιθυμείτε. Αν πρόκειται να την τοποθετήσετε σε κυρίως ράφι, συνιστάται να προτιμάτε τα κάτω πιο κρύα ράφια.



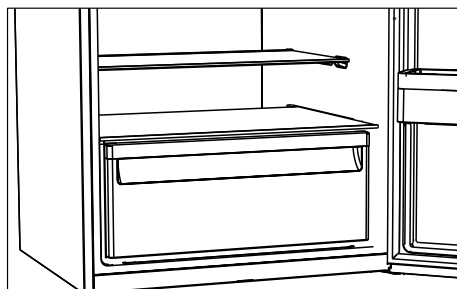
Μην τοποθετείτε ποτέ τη θήκη αυγών στο θάλαμο κατάψυξης.



5.9. Ανεμιστήρας

Ο ανεμιστήρας έχει σχεδιαστεί για να διασφαλίζει ότι ο ψυχρός αέρας στο ψυγείο σας διασπείρεται και κατανέμεται ομοιόμορφα. Ο χρόνος λειτουργίας του ανεμιστήρα μπορεί να διαφέρει ανάλογα με τα χαρακτηριστικά του προϊόντος σας.

Ενώ σε ορισμένα προϊόντα ο ανεμιστήρας λειτουργεί μόνο μαζί με το συμπιεστή, σε άλλα προϊόντα το σύστημα ελέγχου καθορίζει το χρόνο λειτουργίας του ανεμιστήρα σύμφωνα με τις απαιτήσεις ψύξης.



5.10. Συρτάρι λαχανικών

Το συρτάρι λαχανικών του προϊόντος έχει σχεδιαστεί ειδικά για να διατηρεί τα λαχανικά φρέσκα χωρίς να χάνουν την υγρασία τους. Για το σκοπό αυτό, γύρω από το συρτάρι των λαχανικών κυκλοφορεί κρύος αέρας.

6 Συντήρηση και καθαρισμός

Ο τακτικός καθαρισμός του προϊόντος θα επιμηκύνει την ωφέλιμη διάρκεια ζωής του.



ΠΡΟΕΙΔΟΠΟΙΗΣΗ: Αποσυνδέστε το ψυγείο από το ρεύμα δικτύου πριν τον καθαρισμό.

- Μη χρησιμοποιείτε εργαλεία που είναι αιχμηρά ή χαράζουν, σαπούνι, οικιακά καθαριστικά, απορρυπαντικά, αέριο, βενζίνη, αραιωτικά και παρόμοιες ουσίες για τον καθαρισμό.
- Διαλύστε μια κουταλιά του γλυκού μαγειρικής σόδας σε νερό. Υγράνετε στο νερό αυτό ένα πανί και στύψτε το. Σκουπίστε τη συσκευή με αυτό το πανί και στεγνώστε το σχολαστικά.
- Προσέξτε να κρατήσετε το νερό μακριά από το κάλυμμα της λάμπας και άλλα ηλεκτρικά εξαρτήματα.
- Καθαρίστε την πόρτα χρησιμοποιώντας ένα υγρό πανί. Αφαιρέστε όλα τα είδη μέσα από το ψυγείο για να αφαιρέσετε την πόρτα και τα ράφια των θαλάμων. Ανυψώστε τα ράφια πόρτας για να τα αποσυνδέσετε. Καθαρίστε και στεγνώστε τα ράφια, και κατόπιν επανατοποθετήστε τα συρτά από το πάνω μέρος.
- Μη χρησιμοποιείτε χλωρίνη ή καθαριστικά προϊόντα στην εξωτερική επιφάνεια και στα επιχρωμιωμένα μέρη του προϊόντος. Η χλωρίνη θα προκαλέσει σκουριά σε τέτοιες μεταλλικές επιφάνειες.

- Μη χρησιμοποιείτε εργαλεία που κόβουν και χαράζουν ή σαπούνι, οικιακά καθαριστικά, απορρυπαντικά βενζίνη, βενζόλιο, κεριά κλπ, διαφορετικά οι στάμπες στα πλαστικά εξαρτήματα θα σβήσουν και θα προκύψει παραμόρφωση. Για τον καθαρισμό χρησιμοποιήστε χλιαρό νερό και ένα μαλακό πανί και σκουπίστε για να στεγνώσει.

6.1. Αποτροπή δυσάρεστων οσμών

Το προϊόν κατασκευάζεται χωρίς υλικά που αναδίδουν οσμές. Ωστόσο, η φύλαξη των τροφίμων σε ακατάλληλα τμήματα και ο ακατάλληλος καθαρισμός των εσωτερικών επιφανειών μπορεί να έχει ως αποτέλεσμα ανάπτυξη δυσάρεστων οσμών.

Για να το αποφύγετε αυτό, καθαρίζετε το εσωτερικό με διάλυμα μαγειρικής σόδας σε νερό κάθε 15 ημέρες.

- Να διατηρείτε τα τρόφιμα σε κλειστά δοχεία. Από τα μη σφραγισμένα τρόφιμα μπορεί να εξαπλωθούν μικροοργανισμοί και να προκληθούν δυσάρεστες οσμές.
- Μην τοποθετείτε μέσα στο ψυγείο ληγμένα και αλλοιωμένα τρόφιμα.

6.2. Προστασία των πλαστικών επιφανειών

Αν χυθεί λάδι στις πλαστικές επιφάνειες μπορεί να προκληθεί ζημιά στην επιφάνεια και πρέπει να καθαρίζονται άμεσα με χλιαρό νερό.

7 Επίλυση προβλημάτων

Ελέγξτε αυτή τη λίστα πριν απευθυνθείτε στο σέρβις. Αν το κάνετε αυτό θα εξοικονομήσετε χρόνο και χρήματα. Αυτή η λίστα περιλαμβάνει συχνά παράπονα που δεν έχουν σχέση με ελαττωματική εργασία ή υλικά. Ορισμένες λειτουργίες που αναφέρονται εδώ ίσως να μην έχουν εφαρμογή στο προϊόν σας.

Το ψυγείο δεν λειτουργεί.

- Το φινις ρευματοληψίας δεν έχει εισαχθεί πλήρως. >>> *Συνδέστε το ώστε να εισέλθει πλήρως στην πρίζα.*
- Έχει καεί η ασφάλεια που συνδέεται στην πρίζα που τροφοδοτεί το προϊόν ή η γενική ασφάλεια. >>> *Ελέγξτε τις ασφάλειες.*

Συμπύκνωση στο πλευρικό τοίχωμα του θαλάμου συντήρησης (MULTI ZONE, COOL, CONTROL και FLEXI ZONE).

- Το περιβάλλον είναι πολύ κρύο. >>> *Μην εγκαταστήσετε το προϊόν σε περιβάλλον με θερμοκρασία κάτω από -5°C.*
- Η πόρτα ανοιγόταν πολύ συχνά >>> *Προσέξτε να μην ανοίγετε πολύ συχνά την πόρτα του προϊόντος.*
- Το περιβάλλον είναι πολύ υγρό. >>> *Μην εγκαταστήσετε το προϊόν σε υγρό περιβάλλον.*
- Τρόφιμα που περιέχουν υγρά φυλάσσονται σε ανοικτά δοχεία. >>> *Να διατηρείτε τα τρόφιμα που περιέχουν υγρά σε κλειστά δοχεία.*
- Η πόρτα του προϊόντος έχει μείνει ανοικτή. >>> *Μην κρατάτε την πόρτα του προϊόντος ανοικτή για πολλή ώρα.*
- Ο θερμοστάτης έχει ρυθμιστεί σε πολύ χαμηλή θερμοκρασία. >>> *Ρυθμίστε το θερμοστάτη σε κατάλληλη θερμοκρασία.*

Ο συμπιεστής δεν λειτουργεί.

- Σε περίπτωση αιφνίδιας διακοπής ρεύματος ή απουσίας του φινις ρευματοληψίας από την πρίζα και επανασύνδεσής του, η πίεση αερίου στο ψυκτικό σύστημα του προϊόντος δεν είναι ισορροπημένη, με αποτέλεσμα να ενεργοποιείται η θερμική προστασία του συμπιεστή. Το προϊόν θα αρχίσει πάλι να λειτουργεί μετά από περίπου 6 λεπτά. Αν η λειτουργία του προϊόντος δεν ξεκινήσει πάλι μετά από αυτό το χρονικό διάστημα, απευθυνθείτε στο σέρβις.
- Η απόψυξη είναι ενεργή. >>> *Αυτό είναι φυσιολογικό για προϊόν με πλήρως αυτόματη απόψυξη. Η απόψυξη διενεργείται περιοδικά.*
- Το προϊόν δεν έχει συνδεθεί στην πρίζα. >>> *Βεβαιωθείτε ότι έχει συνδεθεί το καλώδιο ρεύματος.*
- Η ρύθμιση θερμοκρασίας είναι λανθασμένη. >>> *Επιλέξτε την κατάλληλη ρύθμιση θερμοκρασίας.*
- Έγινε διακοπή ρεύματος. >>> *Το προϊόν θα συνεχίσει να λειτουργεί κανονικά όταν αποκατασταθεί το ρεύμα.*

Ο θόρυβος λειτουργίας του ψυγείου αυξάνεται κατά τη χρήση.

- Η απόδοση λειτουργίας του προϊόντος μπορεί να διαφέρει ανάλογα με τις μεταβολές της θερμοκρασίας περιβάλλοντος. Αυτό είναι φυσιολογικό και δεν αποτελεί δυσλειτουργία.

Το ψυγείο τίθεται σε λειτουργία πολύ συχνά ή όχι για πολύ χρόνο.

Επίλυση προβλημάτων

- Το νέο προϊόν μπορεί να είναι μεγαλύτερο από το προηγούμενο. Τα μεγαλύτερα προϊόντα θα λειτουργούν για μεγαλύτερη χρονική διάρκεια.
- Η θερμοκρασία του δωματίου μπορεί να είναι υψηλή. >>> Το προϊόν κανονικά θα λειτουργεί για μεγαλύτερα χρονικά διαστήματα για μεγαλύτερη θερμοκρασία δωματίου.
- Το προϊόν μπορεί να έχει συνδεθεί πρόσφατα στην πρίζα ή μπορεί να τοποθετήθηκαν νέα τρόφιμα στο εσωτερικό του. >>> Θα χρειαστεί περισσότερος χρόνος για να φθάσει το προϊόν τη ρυθμισμένη θερμοκρασία όταν έχει συνδεθεί πρόσφατα στην πρίζα ή τοποθετήθηκαν νέα τρόφιμα στο εσωτερικό του. Αυτό είναι φυσιολογικό.
- Μπορεί να τοποθετήθηκαν πρόσφατα μεγάλες ποσότητες θερμών τροφίμων μέσα στο προϊόν. >>> Μην τοποθετείτε μέσα στο προϊόν ζεστά τρόφιμα.
- Οι πόρτες ανοίγονταν συχνά ή διατηρήθηκαν ανοικτές για μεγάλες χρονικές περιόδους. >>> Ο ζεστός αέρας που εισέρχεται στο εσωτερικό του, θα κάνει το προϊόν να λειτουργεί για περισσότερο χρόνο. Μην ανοίγετε τις πόρτες πολύ συχνά.
- Η πόρτα κατάψυξης ή συντήρησης μπορεί να είναι μισάνοιχτη. >>> Ελέγξτε ότι οι πόρτες έχουν κλείσει καλά.
- Το προϊόν μπορεί να έχει ρυθμιστεί σε πολύ χαμηλή θερμοκρασία. >>> Ρυθμίστε τη θερμοκρασία σε υψηλότερη θερμοκρασία και περιμένετε να επιτύχει το προϊόν τη ρυθμισμένη θερμοκρασία.
- Η στεγανοποίηση της πόρτας συντήρησης ή κατάψυξης μπορεί να είναι λερωμένη, φθαρμένη, σπασμένη ή να μην εδράζει σωστά. >>> Καθαρίστε ή αντικαταστήστε τη στεγανοποίηση. Αν η στεγανοποίηση της πόρτας έχει υποστεί ζημιά / φθορά, το προϊόν θα λειτουργεί για μεγαλύτερες περιόδους για να διατηρήσει την τρέχουσα θερμοκρασία.

Η θερμοκρασία κατάψυξης είναι πολύ χαμηλή, αλλά η θερμοκρασία της συντήρησης είναι επαρκής.

- Η θερμοκρασία του θαλάμου κατάψυξης έχει ρυθμιστεί σε πολύ μικρή τιμή. >>> Ρυθμίστε τη θερμοκρασία του θαλάμου κατάψυξης σε υψηλότερη τιμή και ελέγξτε πάλι.

Η θερμοκρασία συντήρησης είναι πολύ χαμηλή, αλλά η θερμοκρασία της κατάψυξης είναι επαρκής.

- Η θερμοκρασία του θαλάμου συντήρησης έχει ρυθμιστεί σε πολύ μικρή τιμή. >>> Ρυθμίστε τη θερμοκρασία του θαλάμου συντήρησης σε υψηλότερη τιμή και ελέγξτε πάλι.

Τα τρόφιμα που φυλάσσονται στα συρτάρια του θαλάμου συντήρησης είναι παγωμένα.

- Η θερμοκρασία του θαλάμου συντήρησης έχει ρυθμιστεί σε πολύ μικρή τιμή. >>> Ρυθμίστε τη θερμοκρασία του θαλάμου κατάψυξης σε υψηλότερη τιμή και ελέγξτε πάλι.

Η θερμοκρασία στη συντήρηση ή κατάψυξης είναι πολύ υψηλή.

- Η θερμοκρασία του θαλάμου συντήρησης έχει ρυθμιστεί σε πολύ υψηλή τιμή. >>> Η ρύθμιση της θερμοκρασίας θαλάμου συντήρησης επηρεάζει τη θερμοκρασία θαλάμου κατάψυξης. Αλλάξτε τη θερμοκρασία του θαλάμου συντήρησης ή κατάψυξης και περιμένετε έως ότου οι αντίστοιχοι θάλαμοι έχουν επιτύχει το ρυθμισμένο επίπεδο θερμοκρασίας.
- Οι πόρτες ανοίγονταν συχνά ή διατηρήθηκαν ανοικτές για μεγάλες χρονικές περιόδους. >>> Μην ανοίγετε τις πόρτες πολύ συχνά.
- Η πόρτα μπορεί να είναι μισάνοιχτη. >>> Κλείστε τελείως την πόρτα.
- Το προϊόν μπορεί να έχει συνδεθεί πρόσφατα στην πρίζα ή μπορεί να τοποθετήθηκαν νέα τρόφιμα στο εσωτερικό του. >>> Αυτό είναι φυσιολογικό. Θα χρειαστεί περισσότερος χρόνος για να φθάσει το προϊόν τη ρυθμισμένη θερμοκρασία όταν έχει συνδεθεί πρόσφατα στην πρίζα ή τοποθετήθηκαν νέα τρόφιμα στο εσωτερικό του.
- Μπορεί να τοποθετήθηκαν πρόσφατα μεγάλες ποσότητες θερμών τροφίμων μέσα στο προϊόν. >>> Μην τοποθετείτε μέσα στο προϊόν ζεστά τρόφιμα.

Επίλυση προβλημάτων

Ταλάντευση ή θόρυβος

- Το δάπεδο δεν είναι επίπεδο, οριζόντιο και ανθεκτικό. >>> *Αν το προϊόν ταλαντεύεται όταν το μετακινείτε αργά, ρυθμίστε τα πόδια για να ισορροπήσετε το προϊόν. Επίσης βεβαιωθείτε ότι το δάπεδο έχει αρκετή φέρουσα ικανότητα ώστε να αντέχει το προϊόν.*
- Οποιαδήποτε είδη έχουν τοποθετηθεί πάνω στο προϊόν μπορεί να προκαλέσουν θόρυβο. >>> *Αφαιρέστε οποιαδήποτε είδη έχουν τοποθετηθεί πάνω στο προϊόν.*

Το προϊόν παράγει θόρυβο ροής ή ψεκασμού υγρού κλπ.

- Οι αρχές λειτουργίας του προϊόντος περιλαμβάνουν ροή υγρού και αερίου. >>> *Αυτό είναι φυσιολογικό και δεν αποτελεί δυσλειτουργία.*

Ακούγεται φύσημα αέρα από το προϊόν.

- Το προϊόν χρησιμοποιεί έναν ανεμιστήρα για τη διαδικασία ψύξης. Αυτό είναι φυσιολογικό και δεν αποτελεί δυσλειτουργία.

Υπάρχει συμπύκνωση στα εσωτερικά τοιχώματα του προϊόντος.

- Ο θερμός ή υγρός καιρός μπορεί να αυξήσει τη συσσώρευση πάγου και τη συμπύκνωση. Αυτό είναι φυσιολογικό και δεν αποτελεί δυσλειτουργία.
- Οι πόρτες ανοίγονταν συχνά ή διατηρήθηκαν ανοικτές για μεγάλες χρονικές περιόδους. >>> *Μην ανοίγετε τις πόρτες πολύ συχνά, αν κάποια πόρτα είναι ανοικτή, κλείστε την.*
- Η πόρτα μπορεί να είναι μισάνοιχτη. >>> *Κλείστε τελείως την πόρτα.*

Υπάρχει συμπύκνωση στα εξωτερικά τοιχώματα του προϊόντος ή ανάμεσα στις πόρτες.

- Ο καιρός μπορεί να είναι υγρός, αυτό είναι πολύ φυσιολογικό σε κρύο καιρό. >>> *Η συμπύκνωση θα πάψει όταν μειωθεί η υγρασία.*

Δυσосμία στο εσωτερικό.

- Το προϊόν δεν καθαρίζεται τακτικά. >>> *Καθαρίζετε το εσωτερικό τακτικά με σφουγγάρι, χλιαρό νερό και διάλυμα μαγειρικής σόδας σε νερό.*
- Ορισμένες συσκευασίες και υλικά συσκευασίας μπορεί να παράγουν οσμές. >>> *Χρησιμοποιείτε δοχεία και υλικά συσκευασίας που δεν παράγουν οσμές.*
- Τα τρόφιμα τοποθετήθηκαν σε μη σφραγισμένα δοχεία. >>> *Να διατηρείτε τα τρόφιμα σε σφραγισμένα δοχεία. Από τα μη σφραγισμένα τρόφιμα μπορεί να εξαπλωθούν μικροοργανισμοί και να προκληθούν δυσάρεστες οσμές.*
- Απομακρύνετε από το προϊόν τυχόν τρόφιμα που έχουν λήξει ή αλλοιωθεί.

Η πόρτα δεν κλείνει.

- Οι συσκευασίες των τροφίμων μπορεί να εμποδίζουν την πόρτα. >>> *Αλλάξτε θέση σε τυχόν είδη που εμποδίζουν τις πόρτες.*
- Το προϊόν δεν στέκεται σε τελείως όρθια θέση στο δάπεδο. >>> *Ρυθμίστε τα πόδια για να ισορροπήσετε σωστά το προϊόν.*
- Το δάπεδο δεν είναι επίπεδο, οριζόντιο και ανθεκτικό. >>> *Βεβαιωθείτε ότι το δάπεδο είναι επίπεδο και οριζόντιο και αρκετά ανθεκτικό για το βάρος του προϊόντος.*

Το συρτάρι λαχανικών έχει σφηνώσει.

- Τα τρόφιμα μπορεί να έρχονται σε επαφή με το άνω τμήμα του συρταριού. >>> *Αναδιοργανώστε τα τρόφιμα μέσα στο συρτάρι.*



ΠΡΟΕΙΔΟΠΟΙΗΣΗ: Αν το πρόβλημα επιμένει αφού ακολουθήσετε τις οδηγίες σε αυτή την ενότητα, απευθυνθείτε στο κατάστημα αγοράς ή σε Εξουσιοδοτημένο σέρβις. Μην επιχειρήσετε να επισκευάσετε μόνοι σας το προϊόν.



57 5782 0000/AD

2/2

el