



Refrigerator

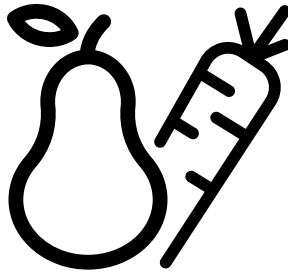
User Manual

Ψυγείο

Εγχειρίδιο Χρήστη

الثلاجة

دليل المستخدم



RDNE510M21W-RDNE510M21M-RDNE510M21X-RDNE550M21W
RDNE480M21W-RDNE510K21M-RDNE550K21S-RDNE480K21W
RDNE510K21W-RDNE480K21X



EN/EL/AR

57 5397 0000/AY-1/2- EN-EL-AR

Please read this user manual first!

Dear Customer,

We hope that your product, which has been produced in modern plants and checked under the most meticulous quality control procedures, will provide you an effective service.

Therefore, read this entire user manual carefully before using the product and keep it as a reference. If you handover the product to someone else, give the user manual as well.

The user manual will help you use the product in a fast and safe way.

- Read the manual before installing and operating the product.
- Make sure you read the safety instructions.
- Keep the manual in an easily accessible place as you may need it later.
- Read the other documents given with the product.

Remember that this user manual is also applicable for several other models. Differences between models will be identified in the manual.

Explanation of symbols

Throughout this user manual the following symbols are used:

	Important information or useful hints.
	Risk of injury and damage to the property.
	Risk of electric shock.
	Packaging materials of the product are manufactured from recyclable materials in accordance with our National Environment Regulations.

Contents

1. Safety and environment instructions 3

- 1.1. General safety 3
- 1.1.1 HC warning 5
- 1.1.2 For models with water dispenser 5
- 1.2. Intended use 5
- 1.3. Child safety 5
- 1.4. Compliance with WEEE Directive and Disposing of the Waste Product. 6
- 1.5. Compliance with RoHS Directive 6
- 1.6. Package information 6

2 Your appliance 7

3 Installation 8

- 3.1. Appropriate installation location 8
- 3.2. Installing the plastic wedges 8
- 3.3. Adjusting the feet 9
- 3.4. Electrical connection 9
- 3.5. Reversing the doors 10
- 3.6. Reversing the doors 11

4 Preparation 12

- 4.1. Things to be done for energy saving 12
- 4.2. Initial use 12

5 Operating the product 13

- 5.1. Temperature setting button ... 13
- 5.2. Fast freeze 13
- 5.3. Vacation function 14
- 5.4. Indicator panel 15
- 5.5. Indicator panel 17
- 5.6. Twist Ice - matic 22
- 5.7. Ice container 23
- 5.8. Egg holder 23
- 5.9. Fan 23

- 5.10 Crisper 23
- 5.11. Chiller compartment 23
- 5.12 Moving door shelf 24
- 5.13. Sliding storage container 24
- 5.14. Blue light 24
- 5.15. Humidity controlled crisper ... 25
- 5.16. Auto Icematic 25
- 5.17. Description and cleaning of odor filter 26
- 5.18. HerbBox/HerbFresh 26
- 5.19. Using the water dispenser 27
- 5.20. Using the water dispenser 27
- 5.21. Filling the water dispenser's tank 28
- 5.22. Cleaning the water tank 29
- 5.23. Drip tray 30
- 5.24. Freezing fresh food 31
- 5.25. Recommendations for preserving the frozen food 32
- 5.26. Deep-freeze information 32
- 5.27. Placing the food 32
- 5.28. Door open warning 32
- 5.29. Changing the door opening direction 33
- 5.30. Illumination lamp 33

6 Maintenance and cleaning 34





- 6.1. Avoiding bad odors 34
- 6.2. Protecting the plastic surfaces 34
- 6.3. Door Glasses 34

6 Maintenance and cleaning 35

7. Troubleshooting 36

This section provides the safety instructions necessary to prevent the risk of injury and material damage. Failure to observe these instructions will invalidate all types of product warranty.

Intended use

	<p>WARNING: Keep ventilation openings, in the appliance enclosure or in the built-in structure, clear of obstruction.</p>
	<p>WARNING: Do not use mechanical devices or other means to accelerate the defrosting process, other than those recommended by the manufacturer.</p>
	<p>WARNING: Do not damage the refrigerant circuit.</p>
	<p>WARNING: Do not use electrical appliances inside the food storage compartments of the appliance, unless they are of the type recommended by the manufacturer.</p>

This appliance is intended to be used in household and similar applications such as

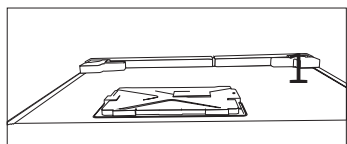
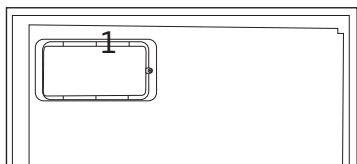
- staff kitchen areas in shops, offices and other working environments;

- farm houses and by clients in hotels, motels and other residential type environments;
- bed and breakfast type environments;
- catering and similar non-retail applications.

1.1. General safety

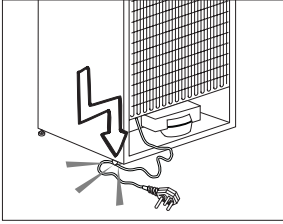
- This product should not be used by persons with physical, sensory and mental disabilities, without sufficient knowledge and experience or by children. The device can only be used by such persons under supervision and instruction of a person responsible for their safety. Children should not be allowed to play with this device.
- In case of malfunction, unplug the device.
- After unplugging, wait at least 5 minutes before plugging in again.
- Unplug the product when not in use.
- Do not touch the plug with wet hands! Do not pull the cable to plug off, always hold the plug.
- Do not plug in the refrigerator if the socket is loose.
- Unplug the product during installation, maintenance, cleaning and repair.
- If the product will not be used for a while, unplug the product and remove any food inside.
- Do not use the product when the compartment with circuit cards located on the upper back part of the product (electrical card box cover) (1) is open.

Instructions for safety and environment



- Do not use steam or steamed cleaning materials for cleaning the refrigerator and melting the ice inside. Steam may contact the electrified areas and cause short circuit or electric shock!
- Do not wash the product by spraying or pouring water on it! Danger of electric shock!
- In case of malfunction, do not use the product, as it may cause electric shock. Contact the authorised service before doing anything.
- Plug the product into an earthed socket. Earthing must be done by a qualified electrician.
- If the product has LED type lighting, contact the authorised service for replacing or in case of any problem.
- Do not touch frozen food with wet hands! It may adhere to your hands!
- Do not place liquids in bottles and cans into the freezer compartment. They may explode.
- Place liquids in upright position after tightly closing the lid.
- Do not spray flammable substances near the product, as it may burn or explode.
- Do not keep flammable materials and products with flammable gas (sprays, etc.) in the refrigerator.
- Do not place containers holding liquids on top of the product. Splashing water on an electrified part may cause electric shock and risk of fire.
- Exposing the product to rain, snow, sunlight and wind will cause electrical danger. When relocating the product, do not pull by holding the door handle. The handle may come off.
- Take care to avoid trapping any part of your hands or body in any of the moving parts inside the product.
- Do not step or lean on the door, drawers and similar parts of the refrigerator. This will cause the product to fall down and cause damage to the parts.
- Take care not to trap the power cable.

Instructions for safety and environment



1.1.1 HC warning

If the product comprises a cooling system using R600a gas, take care to avoid damaging the cooling system and its pipe while using and moving the product. This gas is flammable. If the cooling system is damaged, keep the product away from sources of fire and ventilate the room immediately.



The label on the inner left side indicates the type of gas used in the product.

1.1.2 For models with water dispenser

- Pressure for cold water inlet shall be maximum 90 psi (6.2 bar). If your water pressure exceeds 80 psi (5.5 bar), use a pressure limiting valve in your mains system. If you do not know how to check your water pressure, ask for the help of a professional plumber.
- If there is risk of water hammer effect in your installation, always use a water hammer prevention equipment in

your installation. Consult Professional plumbers if you are not sure that there is no water hammer effect in your installation.

- Do not install on the hot water inlet. Take precautions against of the risk of freezing of the hoses. Water temperature operating interval shall be 33°F (0.6°C) minimum and 100°F (38°C) maximum.
- Use drinking water only.

1.2. Intended use

- This product is designed for home use. It is not intended for commercial use.
- The product should be used to store food and beverages only.
- Do not keep sensitive products requiring controlled temperatures (vaccines, heat sensitive medication, medical supplies, etc.) in the refrigerator.
- The manufacturer assumes no responsibility for any damage due to misuse or mishandling.
- Original spare parts will be provided for 10 years, following the product purchasing date.

1.3. Child safety

- Keep packaging materials out of children's reach.

Instructions for safety and environment

- Do not allow the children to play with the product.
- If the product's door comprises a lock, keep the key out of children's reach.

1.4. Compliance with WEEE Directive and Disposing of the Waste Product

This product complies with EU WEEE Directive (2012/19/EU). This product bears a classification symbol for waste electrical and electronic equipment (WEEE).



This product has been manufactured with high quality parts and materials which can be reused and are suitable for recycling.

Do not dispose of the waste product with normal domestic and other wastes at the end of its service life. Take it to the collection center for the recycling of electrical and electronic equipment. Please consult your local authorities to learn about these collection centers.

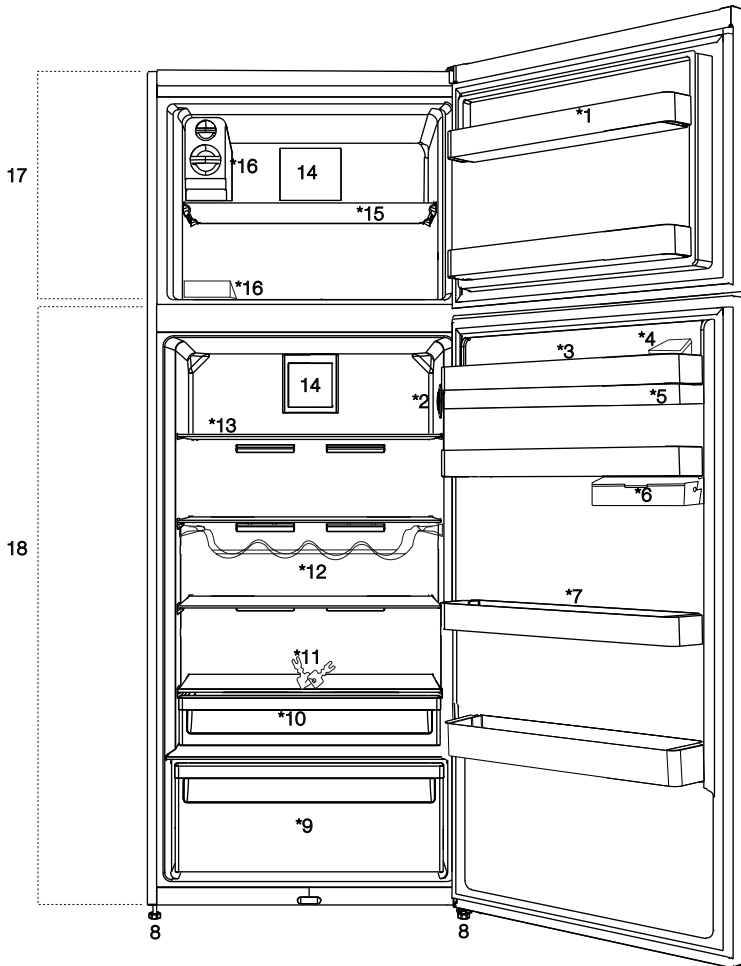
1.5. Compliance with RoHS Directive

- This product complies with EU WEEE Directive (2011/65/EU). It does not contain harmful and prohibited materials specified in the Directive.

1.6. Package information

Packaging materials of the product are manufactured from recyclable materials in accordance with our National Environment Regulations. Do not dispose of the packaging materials together with the domestic or other wastes. Take them to the packaging material collection points designated by the local authorities.

2 Your appliance



1. Fridge - compartment door shelf
2. Temperature setting button
3. Water dispenser filling tank
4. Egg section
5. Water dispenser reservoir
6. Storage container under the door shelf
7. Moving door shelf
8. Adjustable feet
9. Crisper
10. Chiller compartment
11. Lock and key
12. Bottle shelf
13. Fridge - compartment glass shelf
14. Fan
15. Freezer compartment shelf
16. Icebox / Ice-making compartment
17. Freezer compartment
18. Fridge compartment



***optional:** Figures in this user manual are given as an example and may not match the product exactly. If the relevant parts are not available in the product you purchased, the figure applies to other models.

3.1. Appropriate installation location

Contact an Authorized Service for the installation of the product. In order to prepare the product for use, refer the information in the user manual and ensure that electrical installation and water installation are appropriate. If not, call a qualified electrician and technician to have any necessary arrangements carried out.



WARNING: Manufacturer shall not be held liable for damages that may arise from procedures carried out by unauthorized persons.



WARNING: Product must not be plugged in during installation. Otherwise, there is the risk of death or serious injury!



WARNING: If the door clearance of the room where the product shall be placed is so tight to prevent passing of the product, remove the door of the room and pass the product through the door by turning it to its side; if this does not work, contact the authorized service.

- Place the product on an even floor surface to prevent jolts.
- Install the product at least 30 cm away from heat sources such as hobs, heater cores and stoves and at least 5 cm away from electrical ovens.
- Product must not be subjected to direct sun light and kept in humid places.
- Appropriate air ventilation must be provided around your product in order to achieve an efficient operation. If the product is to be placed in a recess in the wall, pay attention to leave at least 5 cm distance with the ceiling and side walls.

- Do not install the product in places where the temperature falls below -5°C .

3.2. Installing the plastic wedges

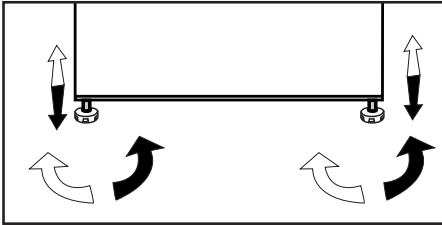
Plastic wedges supplied with the product are used to create the distance for the air circulation between the product and the rear wall.

1. To install the wedges, remove the screws on the product and use the screws supplied together with the wedges.
2. Insert the 2 plastic wedges onto the rear ventilation cover as illustrated in the figure.

Installation

3.3. Adjusting the feet

If the product stands unbalanced after installation, adjust the feet on the front by rotating them to the right or left.



3.4. Electrical connection



WARNING: Do not make connections via extension cables or multi-plugs.



WARNING: Damaged power cable must be replaced by the Authorized Service Agent.



If two coolers are to be installed side by side, there should be at least 4 cm distance between them.



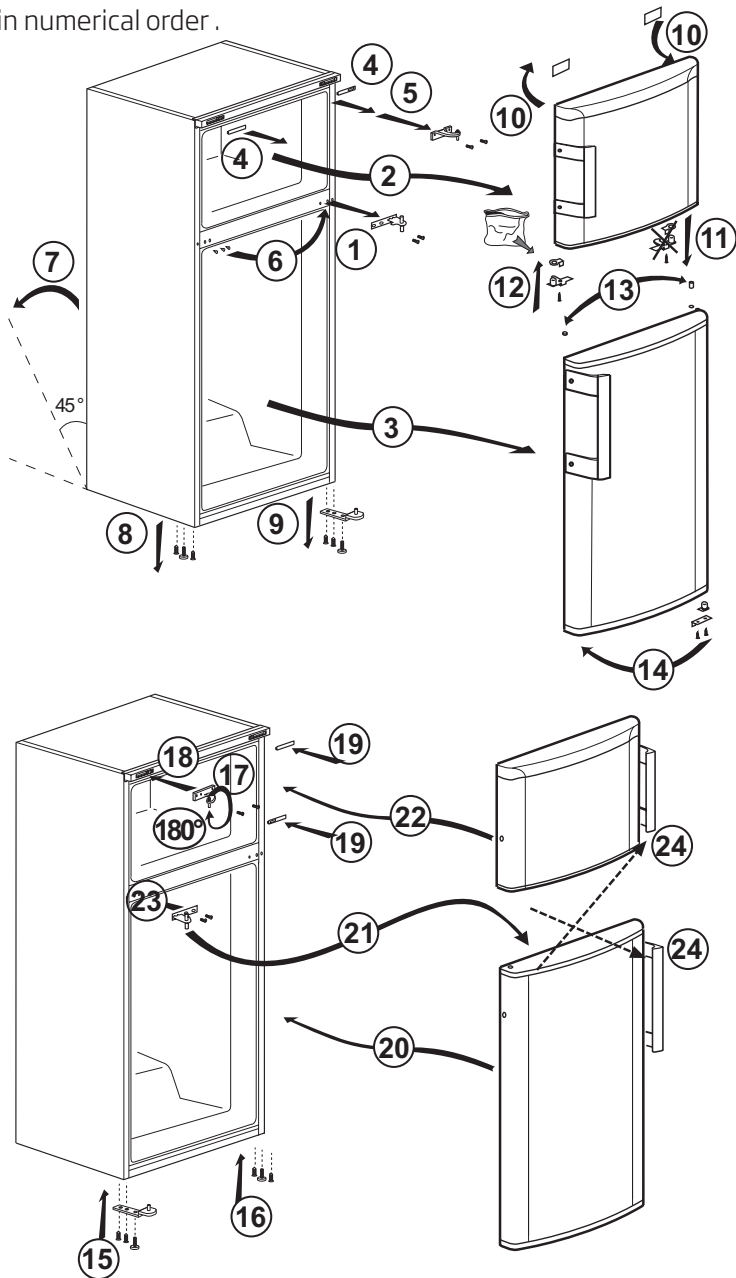
Hot Surface Warning!
Side walls of your product is equipped with refrigerant pipes to improve the cooling system. Refrigerant with high temperatures may flow through these areas, resulting in hot surfaces on the side walls. This is normal and does not need any servicing. Please pay attention while touching these areas.

- Our company shall not be liable for any damages that will arise when the product is used without grounding and electrical connection in accordance with the national regulations.
- Power cable plug must be within easy reach after installation.
- Connect your refrigerator to a grounded outlet rated for a voltage value of 220-240V /50 Hz. Outlet shall have 10 to 16A fuse.
- Do not extension cords or cordless multiple outlets between your product and the wall outlet.

Installation

3.5.Reversing the doors

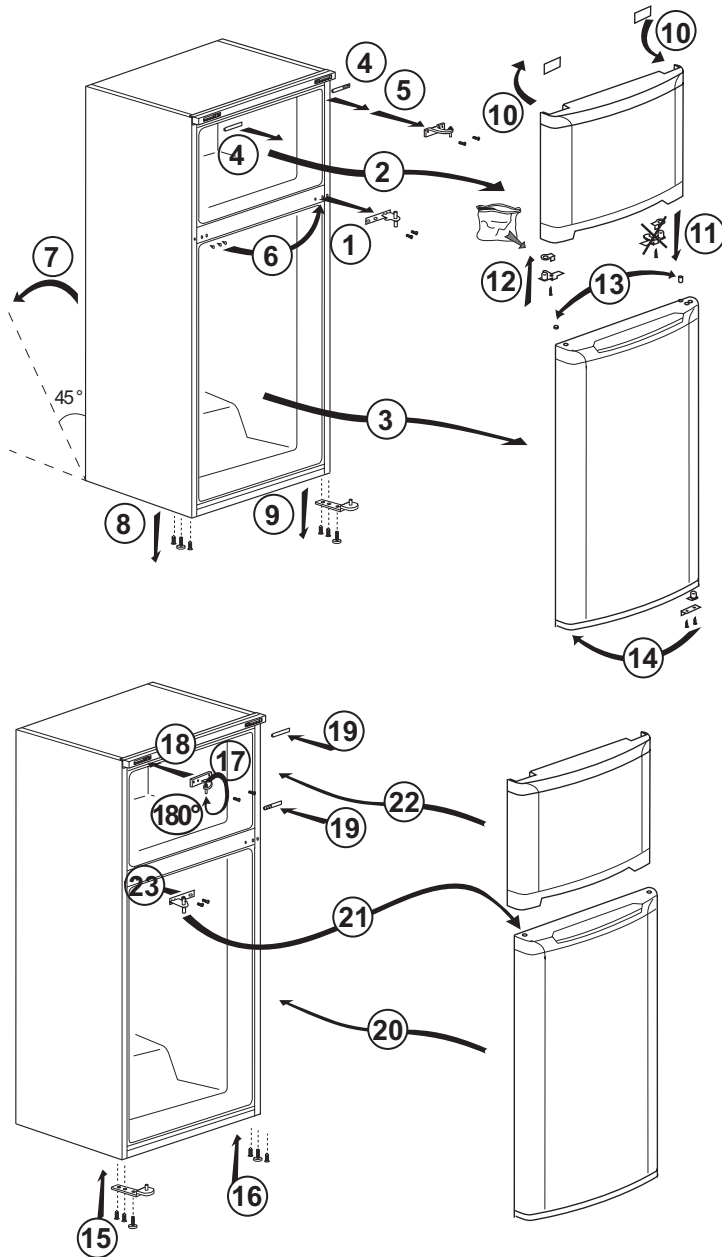
Proceed in numerical order .



Installation

3.6. Reversing the doors

Proceed in numerical order .



4

Preparation

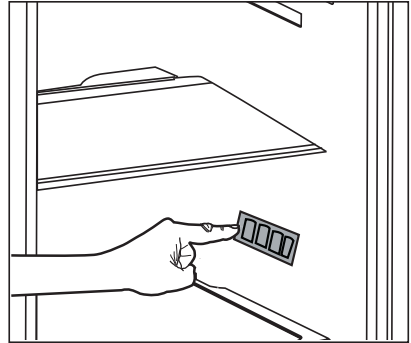
4.1. Things to be done for energy saving



Connecting the product to electric energy saving systems is risky as it may cause damage on the product.

- Do not leave the doors of your refrigerator open for a long time.
- Do not put hot food or drinks in your refrigerator.
- Do not overload the refrigerator, cooling capacity will fall when the air circulation inside is hindered.
- In order to store maximum amount of food in the freezer compartment, the icematic, available in the freezer compartment and easily removable by hand, shall be taken out. Net volume and energy consumption values declared on the power data plate of your refrigerator are measured and tested by removing the icematic. Do not remove the shelves inside the freezer compartment and on the door of freezer compartment shall not be removed and they shall always be used they provide ease of use and efficiency in energy consumption.
- Airflow should not be blocked by placing foods on the sides of the freezer compartment fan. A minimum distance of 3 cm shall be provided on the sides of protective fan cover.
- The baskets/drawers that are provided with the chill compartment must always be in use for low energy consumption and for better storage conditions.
- Food contact with the temperature sensor in the freezer compartment may increase energy consumption of the appliance. Thus any contact with the sensor(s) must be avoided.

- Depending on the features of your product, thawing frozen food in fridge compartment will both provide energy saving and preserve the food quality.



- Do not allow contact of the food with the fridge compartment temperature sensor shown in the figure below.

4.2. Initial use

Before starting to use your refrigerator, ensure that all preparations are made in accordance with the instructions in sections "Instructions for safety and environment" and "Installation".

- Run the product without putting any food for 6 hours and do not open its door unless certainly required.



You will hear a noise when the compressor starts up. The liquids and gases sealed within the refrigeration system may also give rise to noise, even if the compressor is not running and this is quite normal.



Front edges of the product may feel warm. This is normal. These areas are designed to be warm to avoid condensation.



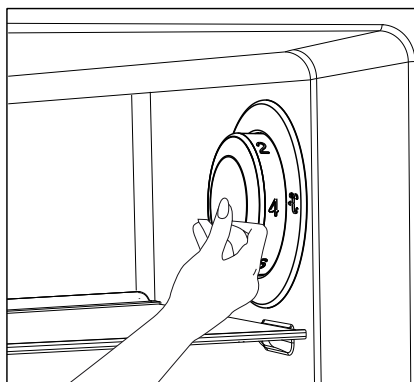
In some models, the instrument panel automatically turns off 5 minutes after the door has closed. It will be reactivated when the door has opened or pressed on any key.

5 Operating the product

5.1. Temperature setting button

The interior temperature of your refrigerator changes for the following reasons;

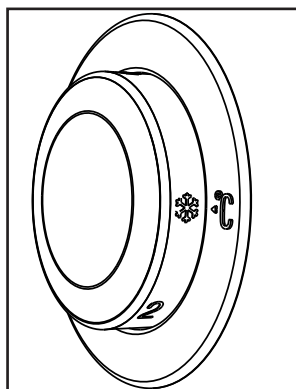
- Seasonal temperatures,
- Frequent opening of the door and leaving the door open for long periods,
- Food put into the refrigerator without cooling down to the room temperature,
- The location of the refrigerator in the room (e.g. exposing to sunlight),
- You may adjust the varying interior temperature due to such reasons by using the setting button.
- The numbers around the control knob indicate the temperature values in "°C".
- If the ambient temperature is 25°C, we recommend you to use the temperature control knob of your refrigerator at 4°C. This value may be increased or decreased as required in other ambient temperatures.



5.2. Fast freeze

If large amounts of fresh food are going to be frozen, adjust the temperature control knob to (❄️) max. 24 hours before putting the fresh food in the fast freeze compartment.

It is strongly recommended to keep the knob at this position at least 24 hours to freeze maximum amount of fresh food declared as freezing capacity. Take special care not to mix frozen food and fresh food.



***Optional:** Figures in this user manual are schematic and may not match the product exactly. If the subject parts are not included in the product you have purchased, then those parts are valid for other models.

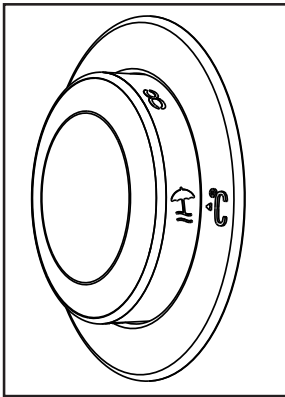
Operating the product

Remember to turn the temperature control knob back to its previous position once food has frozen.

5.3. Vacation function

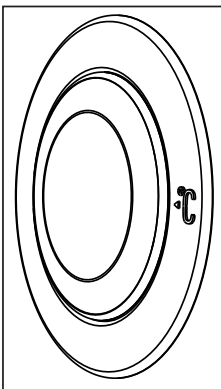
If the doors of the product are not opened for 12 hours after the temperature control knob is switched to the hottest position, then the vacation function will be activated automatically.

- When the setting operation is completed, you may press the temperature control knob and have it hidden.



To cancel the function, change the knob setting.

It is not recommended to store food in cooler compartment when the vacation function is active.

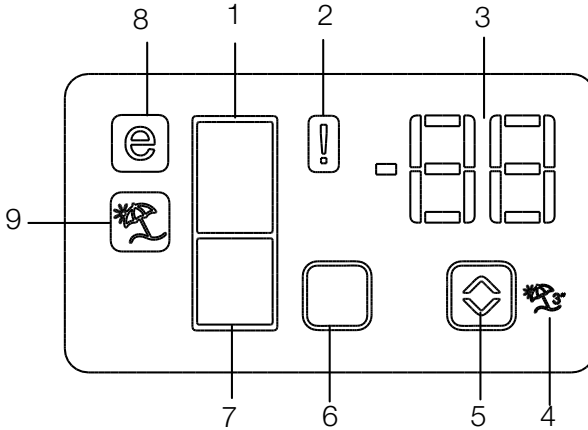


Operating the product

5.4. Indicator panel

Indicator panels may vary according to the product model.

Audio - visual functions on the indicator panel helps you in using your product.



1. Fridge Compartment Indicator
2. Error status indicator
3. Temperature indicator
4. Vacation function button
5. Temperature setting button
6. Compartment selection button
7. Freezer compartment indicator
8. Economy mode indicator
9. Vacation function indicator

***optional**



***Optional:** Figures in this user manual are schematic and may not match the product exactly. If the subject parts are not included in the product you have purchased, then those parts are valid for other models.

Operating the product

1. Fridge compartment indicator

Fridge compartment light is illuminated while the fridge compartment temperature is set.

2. Error status indicator

If your refrigerator does not perform enough cooling or in case of a sensor fault, this indicator is activated.

When this indicator is activated, "E" is displayed on the freezer compartment temperature indicator, and numbers such as "1,2,3..." are displayed on the fridge compartment temperature indicator. These numbers on the indicator inform service personnel about the error.

3. Temperature indicator

Indicates freezer, fridge compartment temperature.

4. Vacation function button

Press on Vacation Button for 3 seconds to activate this function.

When the vacation function is activated, "- -" is displayed on the fridge compartment temperature indicator and no active cooling is performed on the fridge compartment. It is not suitable to keep the food in the fridge compartment when this function is activated. Other compartments shall be continued to be cooled as per their set temperature.

To cancel this function press **Vacation** button again.

5. Temperature setting button

Changes the temperature of the relevant compartment between -24°C... -18°C and 8°C...1°C.

6. Compartment selection button

Selection button: Press compartment selection button to switch between fridge and freezer compartments.

7. Freezer compartment indicator

Fridge compartment light is illuminated while the freezer compartment temperature is set.

8. Economy mode indicator

Indicates that the refrigerator operates in energy saving mode. This display shall be activated if the freezer compartment temperature is set to -18°C.

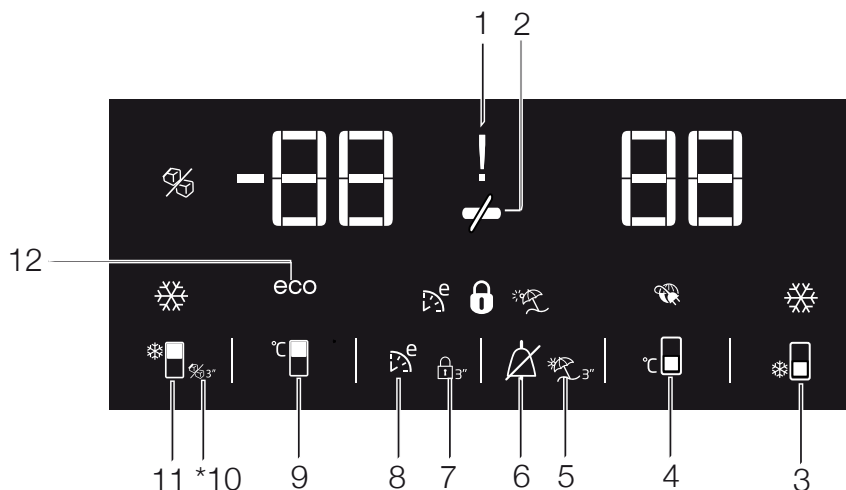
9. Vacation function indicator

Indicates that vacation is activated.

Operating the product

5.5.Indicator panel

Indicator panel allows you to set the temperature and control the other functions related to the product without opening the door of the product. Just press the inscriptions on relevant buttons for function settings.



1. Power failure/High temperature / error warning indicator

This indicator (ⓘ) illuminates during power failure, high temperature failures and error warnings. During sustained power failures, the highest temperature that the freezer compartment reaches will flash on the digital display. After checking the food located in the freezer compartment (🔔) press the alarm off button to clear the warning.

2. Energy saving function (display off):

If the product doors are kept closed for

a long time energy saving function is automatically activated and energy saving symbol is illuminated. (⏻) When energy saving function is activated, all symbols on the display other than energy saving symbol will turn off. When the Energy Saving function is activated, if any button is pressed or the door is opened, energy saving function will be canceled and the symbols on display will return to normal.

Energy saving function is activated during delivery from factory and cannot be canceled.

3.Quick fridge function



***Optional:** Figures in this user manual are schematic and may not match the product exactly. If the subject parts are not included in the product you have purchased, then those parts are valid for other models.

Operating the product

The button has two functions. To activate or deactivate the quick cool function press it briefly. Quick Cool indicator will turn off and the product will return to its normal settings. (●📱)



Use quick cooling function when you want to quickly cool the food placed in the fridge compartment. If you want to cool large amounts of fresh food, activate this function before putting the food into the product.



If you do not cancel it, quick cooling will cancel itself automatically after 8 hours or when the fridge compartment reaches to the required temperature.



If you press the quick cooling button repeatedly with short intervals, the electronic circuit protection will be activated and the compressor will not start up immediately.



This function is not recalled when power restores after a power failure.

4. Fridge compartment temperature setting button

Press this button to set the temperature of the fridge compartment to 8, 7, 6, 5, 4, 3, 2, 8... respectively. Press this button to set the fridge compartment temperature to the desired value. (c📱)

5. Vacation Function

In order to activate vacation function, press the this button (☀️) for 3 seconds, and the vacation mode

indicator (☀️) will be activated. When the vacation function is activated, "- -" is displayed on the fridge compartment temperature indicator and no active cooling is performed on the fridge compartment. It is not suitable to keep the food in the fridge compartment when this function is activated. Other compartments shall be continued to be cooled as per their set temperature.

To cancel this function press **Vacation function** button again.

6. Alarm off warning:

In case of power failure/high temperature alarm, after checking the food located in the freezer compartment press the alarm off button (🔇) to clear the warning.


7. Key lock

Press key lock button (🔒) simultaneously for 3 seconds. Key lock symbol (🔒) will light up and key lock mode will be activated. Buttons will not function if the Key lock mode is active. Press key lock button simultaneously for 3 seconds again. Key lock symbol will turn off and the key lock mode will be exited. Press the **key lock** button if you want to prevent changing of the temperature setting of the refrigerator (🔒).

8. Eco fuzzy


Press and hold eco fuzzy button for 1 seconds to activate eco fuzzy function. Refrigerator will start

Operating the product


operating in the most economic mode at least 6 hours later and the economic usage indicator will turn on when the function is active (). Press and hold eco fuzzy function button for 3 seconds to deactivate eco fuzzy function.

This indicator is illuminated after 6 hours when eco fuzzy is activated.

9. Freezer compartment temperature setting button

Press this button to set the temperature of the freezer compartment to -18,-19,-20,-21,-22,-23,-24,-18... respectively. Press this button to set the freezer compartment temperature to the desired value. ()

10. Icematic off indicator


Indicates whether the icematic is on or off. () If On, then the icematic is not operating. To operate the icematic again press and hold the On-Off button for 3 seconds.



Water flow from water tank will stop when this function is selected. However, ice made previously can be taken from the icematic.

11. Quick freeze function button/ icematic on-off button

Press this button to activate or deactivate the quick freezing

function. When you activate the function, the freezer compartment will be cooled to a temperature lower than the set value. ()

To turn on and off the icematic press and hold it for 3 seconds.



Use the quick freeze function when you want to quickly freeze the food placed in fridge compartment. If you want to freeze large amounts of fresh food, activate this function before putting the food into the product.




If you do not cancel it, Quick Freeze will cancel itself automatically after 4 hours or when the fridge compartment reaches to the required temperature.



This function is not recalled when power restores after a power failure.

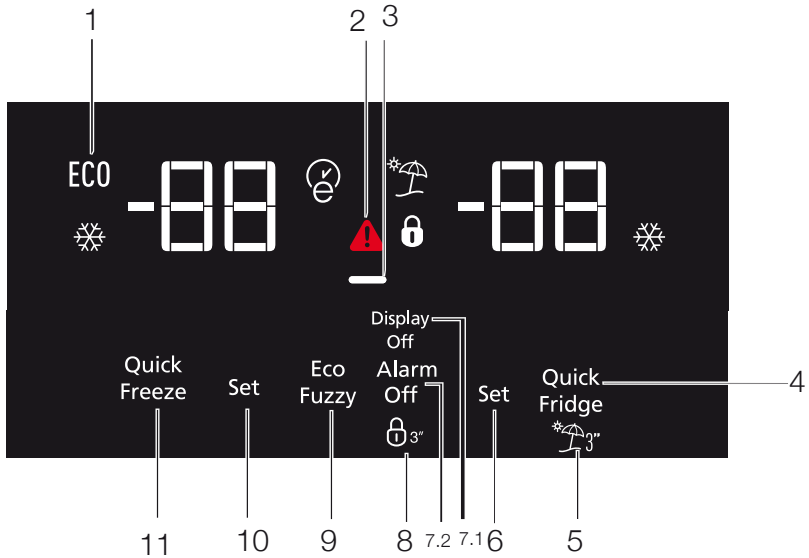
12. Economic usage indicator

Indicates that the product is running in energy-efficient mode. () This indicator will be active if the Freezer Compartment temperature is set to -18 or the energy efficient cooling is being performed due to Eco-Extra function.



Economic usage indicator is turned off when quick cooling or quick freeze functions are selected.

Operating the product



1. Economy

This symbol is illuminated when the freezer compartment is set to -18°C as the most economical setting value (ECO). Economy indicator is turned off when quick cooling or quick freeze functions are selected.

2. High temperature / error warning indicator

This indicator (⚠) illuminates during high temperature failures and error warnings.

3. Quick cool

Quick cooling indicator (❄*) is

illuminated when quick cooling function is activated and fridge compartment temperature indicator value is displayed as 1. To cancel this function press Quick cooling button again. Quick cooling indicator will turn off and refrigerator will return to its normal settings. Quick cooling function is canceled automatically in 1 hour if you do not cancel it before. If you want to cool large amounts of fresh food, press the Quick cooling button before putting the food into the fridge compartment.


4. Vacation function

In order to activate vacation




***Optional:** Figures in this user manual are schematic and may not match the product exactly. If the subject parts are not included in the product you have purchased, then those parts are valid for other models.

Operating the product


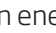

function, press the button no. (4) () for 3 seconds, and the vacation mode indicator activates. When the vacation function is activated, "- -" is displayed on the fridge compartment temperature indicator and no active cooling is performed on the fridge compartment. It is not suitable to keep the food in the fridge compartment when this function is activated. Other compartments shall be continued to be cooled as per their set temperature.

To cancel this function press **Vacation function** button again.



5. Fridge compartment temperature setting

When the button no. (5) is pressed, you may set the temperature of the fridge compartment to 8,7,6,5,4,3,2 and 1 respectively ()


6. Energy saving function (display off):

Energy saving symbol () is illuminated and Energy saving function is activated when you press this button (). When energy saving function is activated, all symbols on the display other than energy saving symbol will turn off. When the Energy Saving function is activated, if any button is pressed or the door is opened, energy saving function will be canceled and the symbols on display will return to normal. Energy saving symbol is turned off and energy saving function is deactivated when you press this button () again.

7. Key lock

Press key lock button () simultaneously for 3 seconds. Key lock symbol () will light up and key lock mode will be activated. Buttons will not function if the Key lock mode is active. Press key lock button simultaneously for 3 seconds again. Key lock symbol will turn off and the key lock mode will be exited. Press the **key lock** button if you want to prevent changing of the temperature setting of the refrigerator ()

8. Eco fuzzy

Press and hold eco fuzzy button for 1 seconds to activate eco fuzzy function. Refrigerator will start operating in the most economic mode at least 6 hours later and the economic usage indicator will turn on when the function is active ()


Press and hold eco fuzzy function button for 3 seconds to deactivate eco fuzzy function.

This indicator is illuminated after 6 hours when eco fuzzy is activated.

9. Freezer compartment temperature setting

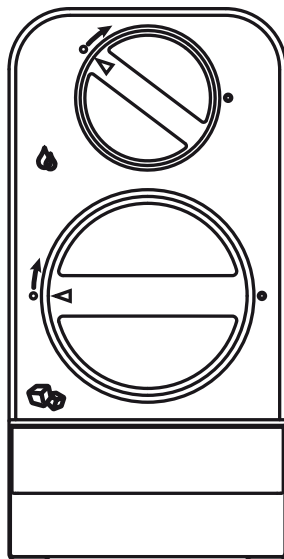
Temperature setting for freezer compartment is performed here. When button no. 9 is pressed, you may set the temperature of the freezer compartment to -18, -19, -20, -21, -22, -23 and -24 respectively.

10. Fast freeze

Press button no. (10) for fast freeze operation, quick freeze indicator () shall be activated. Quick freeze indicator is illuminated

Operating the product

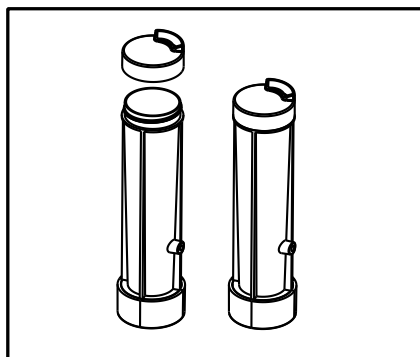
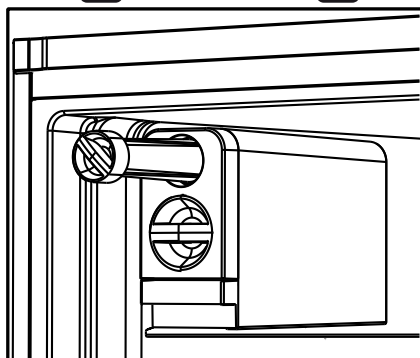
When quick freeze function is activated and fridge compartment temperature indicator is displayed as -27. To cancel this function press quick freeze button (❄️) again. Quick freeze indicator will turn off and refrigerator will return to its normal settings. Quick freeze function is canceled automatically in 24 hour if you do not cancel it before. If you want to freeze large amounts of fresh food, press the quick freeze button before putting the food into the freezer compartment.



5.6. Twist Ice - matic

(This feature is optional)

- Remove the water tank by rotating it to the left.
- Open the water tank cover by turning it and add water to the water tank up to the lower part of the water tank cover.
- Place the water tank on its place as shown in the figure after adding water and have it seated by rotating it on the direction of the arrow. Water shall be poured down to the icebank.
- When ice has formed, rotate icebank knob in the direction of the arrow to allow that the ice is dropped down to the ice drawer.
- Take the ice cubes by pulling ice drawer out.
- Pull the front face towards you in order to wash the icebank, and put it on the slides on the interior area and push it to its place in order to replace it.
- Pull the twist icematic unit towards you in order to remove the unit, and put it on the slides on the ceiling and push it to its place in order to replace it.



Operating the product

5.7. Ice container

- Remove the ice container from the freezer compartment.
- Fill the ice container with water.
- Place the ice container in the freezer compartment. About two hours later, the ice is ready.
- Remove the ice container from the freezer compartment and bend it over the service plate. Ice cubes will easily fall down to the service plate.

5.8. Egg holder

You can install the egg holder to the desired door or body shelf. If it will be placed on body shelves than the lower cooler shelves are recommended.

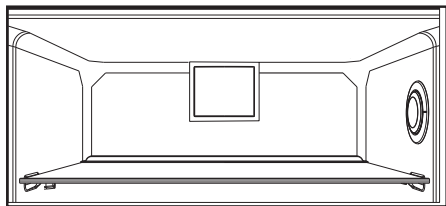


Never place the egg holder in the freezer compartment

5.9. Fan

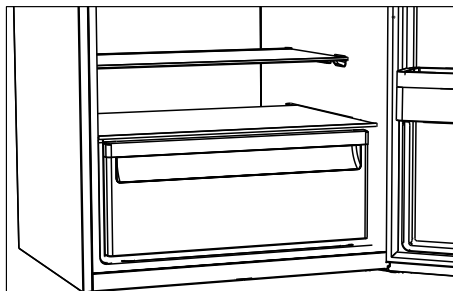
Fan is designed to ensure homogeneous distribution and circulation of the cold air inside your refrigerator. Operation time of the fan may vary depending on the properties of your product.

While the fan works only with the compressor in some products, the control system determines its operation time in some products in accordance with the cooling requirement.



5.10. Crisper

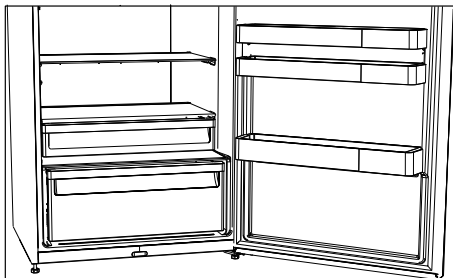
Crisper of the product is designed specially to keep the vegetables fresh without losing their humidity. For this purpose, cool air circulation is intensified around the crisper in general.



5.11. Chiller compartment

(This feature is optional)

Use this compartment to store delicatessen that shall be stored in a lower temperature or meat products that you will consume in a short time. Chiller compartment is the coolest place in your refrigerator where you can keep dairy products, meat, fish and poultry under ideal storage conditions. Fruits and vegetables should not be stored in this compartment.



Operating the product

5.12. Moving door shelf

(This feature is optional)

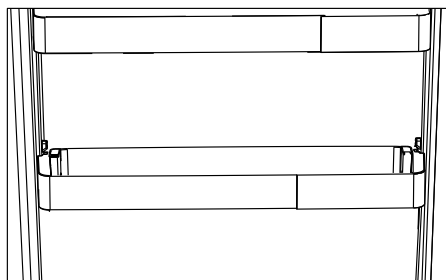
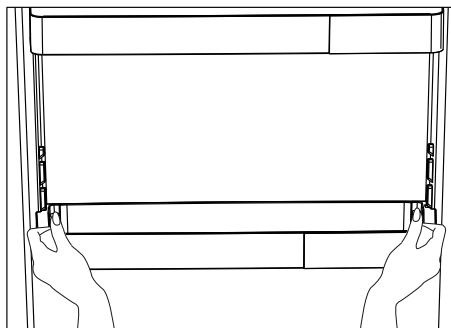
Moving door shelf may be fixed in 3 different positions.

Press the buttons shown in the sides at the same amount in order to move the shelf. Shelf shall be movable.

Move the shelf up or down.

Release the buttons when you have the shelf in the desired position.

Shelf shall be fixed on the position where you release the buttons.

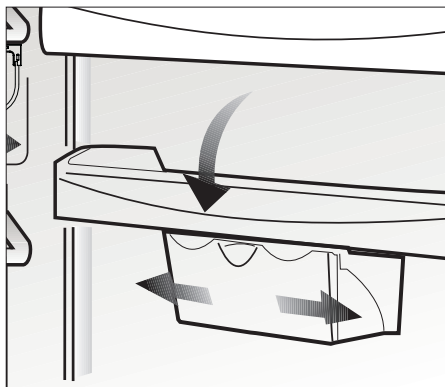


5.13. Sliding storage container

(This feature is optional)

This accessory is designed to increase the usable volume of the door shelves.

It allows you to easily place the tall bottles, jars and tins to the lower bottle shelf thanks to its ability to move right or left.



5.14. Blue light

(This feature is optional)

This accessory is designed to increase the usable volume of the door shelves.

It allows you to easily place the tall bottles, jars and tins to the lower bottle shelf thanks to its ability to move right or left.

Operating the product

5.15. Humidity controlled crisper

(FreSHelf)

(This feature is optional)

Humidity rates of the vegetables and fruit are kept under control with the feature of humidity-controlled crisper and the food is ensured to stay fresh for longer.

We recommend you to place the leafy vegetables such as lettuce, spinach and the vegetables which are sensitive to humidity loss, in a horizontal manner as much as possible inside the crisper, not on their roots in a vertical position.

While the vegetables are being placed, specific gravity of the vegetables should be taken into consideration. Heavy and hard vegetables should be put at the bottom of the crisper and the lightweight and soft vegetables should be placed over.

Never leave the vegetables inside the crisper in their bags. If the vegetables are left inside their bags, this will cause them to decompose in a short period of time. In case contacting with other vegetables is not preferred for hygiene concerns, use a perforated paper and other similar packaging materials instead of a bag.

Do not place together the pear, apricot, peach, etc. and apple in particular which have a high level of generation of ethylene gas in the same crisper with the other vegetables and fruit. The ethylene gas which is emitted by these fruit may cause the other fruit to ripen faster and decompose in a shorter time.

5.16. Auto Icematic

(This feature is optional)

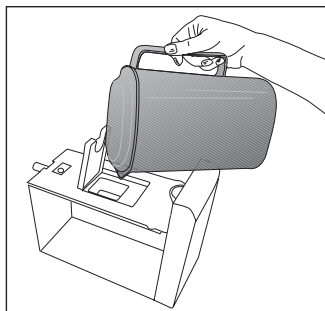
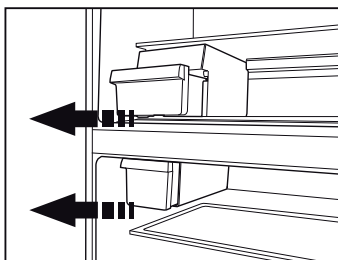
The Auto Icematic allows you to make ice in the fridge easily. Remove the water tank in the fridge compartment, fill it with water and install it back to obtain ice from the Icematic.

First ice cubes will be ready in approximately 2 hours in the Icematic drawer located in the freezer compartment.

If you fill the water tank completely, you will be able to obtain approximately 60-70 ice cubes. Change the water in water tank if it has waited around 2-3 weeks.



For the products having automatic Icematic, sound may be heard during ice pouring. This sound is normal and does not signal any error.



Operating the product

5.17. Description and cleaning of odor filter

(This feature is optional)

Odor filter prevents unpleasant odor build-up in your product.

1. Pull the cover into which the odor filter is installed downwards from the front section and remove as illustrated.
2. Leave the filter under sunlight for one day. Filter will be cleaned during this time.
3. Install the filter back to its place.



Odor filter must be cleaned once in a year.

5.18. HerbBox/ HerbFresh

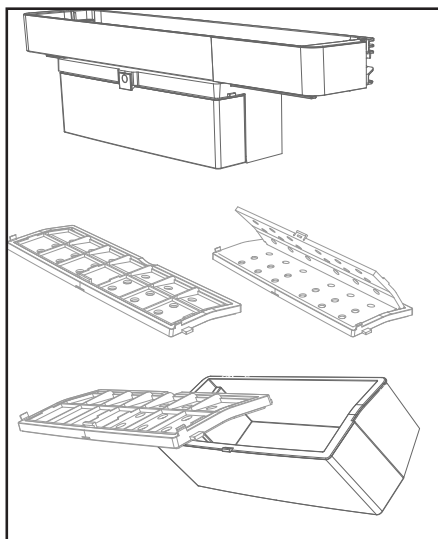
Remove the film container from HerbBox/HerbFresh+

Take the film out of the bag and put it into the film container as shown in the image.

Seal the container again and replace it into HerbBox/HerbFresh+ unit.

HerbBox-HerbFresh+ sections are especially ideal for storage of various herbs that are supposed to be kept in delicate conditions. You can store your unbagged herbs (parsley, dill, etc.) in this section horizontally and keep them fresh for a much longer period.



The film shall be replaced in every six months.



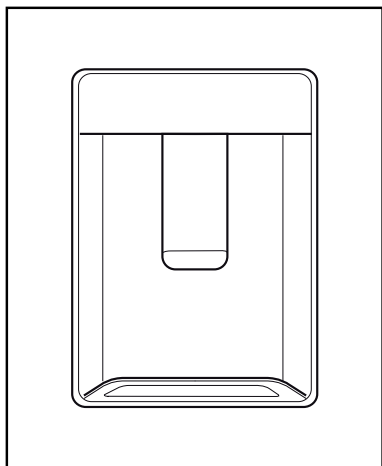
Operating the product

5.19. Using the water dispenser

***optional**

	It is normal for the first few glasses of water taken from the dispenser to be warm.
	If the water dispenser is not used for a long period of time, dispose of first few glasses of water to obtain fresh water.



1. Push in the lever of the water dispenser with your glass. If you are using a soft plastic cup, pushing the lever with your hand will be easier.
2. After filling the cup up to the level you want, release the lever.



Please note, how much water flows from the dispenser depends on how far you depress the lever. As the level of water in your cup / glass rises, gently reduce the amount of pressure on the lever to avoid overflow. If you slightly press the arm, the water will drip; this is quite normal and not a failure.

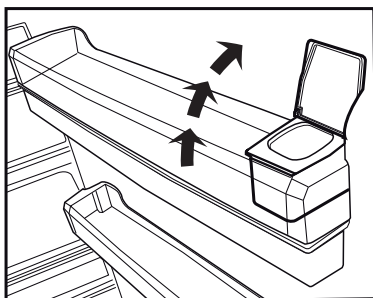
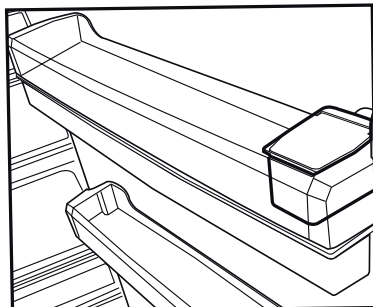
5.20. Using the water dispenser

***optional**

	It is normal for the first few glasses of water taken from the dispenser to be warm.
	If the water dispenser is not used for a long period of time, dispose of first few glasses of water to obtain fresh water.

1. Push in the lever of the water dispenser with your glass. If you are using a soft plastic cup, pushing the lever with your hand will be easier.
2. After filling the cup up to the level you want, release the lever.

Operating the product



Please note, how much water flows from the dispenser depends on how far you depress the lever. As the level of water in your cup / glass rises, gently reduce the amount of pressure on the lever to avoid overflow. If you slightly press the arm, the water will drip; this is quite normal and not a failure.



Do not fill the water tank with any other liquid except for water such as fruit juices, carbonated beverages or alcoholic drinks which are not suitable to use in the water dispenser. Water dispenser will be irreparably damaged if these kinds of liquids are used. Warranty does not cover such usages. Some chemical substances and additives contained in these kinds of drinks/liquids may damage the water tank.



Use clean drinking water only.



Capacity of the water tank is 3 litres; do not overfill.

5.21. Filling the water dispenser's tank

Water tank filling reservoir is located inside the door rack.

1. Open the cover of the tank.
2. Fill the tank with fresh drinking water.
3. Close the cover.

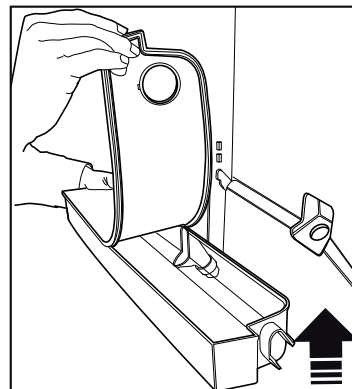
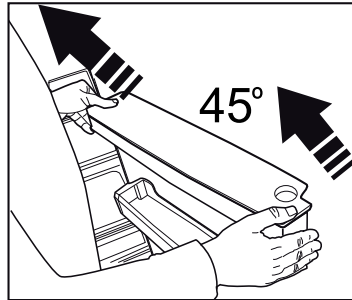
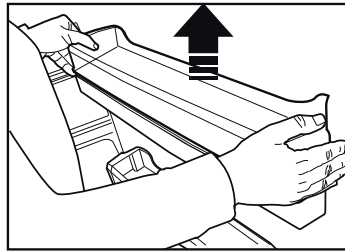
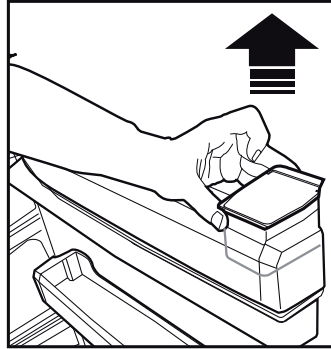
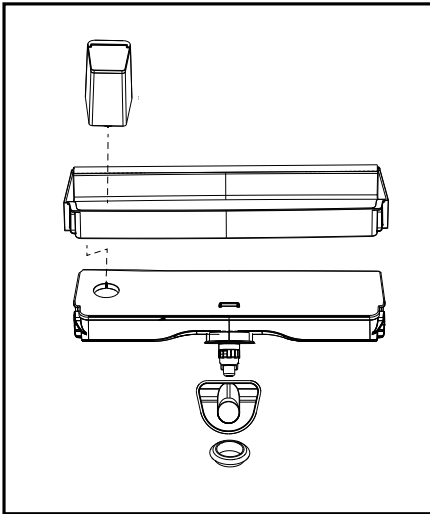
Operating the product

5.22. Cleaning the water tank

1. Remove the water filling reservoir inside the door rack.
2. Remove the door rack by holding from both sides.
3. Grab the water tank from both sides and remove it with an angle of 45°C.
4. Remove the cover of the water tank and clean the tank.



Components of the water tank and water dispenser should not be washed in dishwasher.



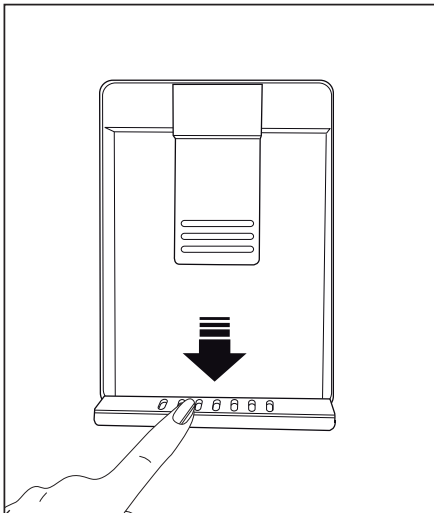
Operating the product

5.23. Drip tray

Water that dripped while using the water dispenser accumulates in the spillage tray.

Remove the plastic filter as shown in the figure.

With a clean and dry cloth, remove the water that has accumulated.



Operating the product

5.24. Freezing fresh food

- In order to preserve the quality of the food, it shall be frozen as quickly as possible when it is placed in the freezer compartment, use the fast freezing feature for this purpose.
- You may store the food longer in freezer compartment when you freeze them while they are fresh.
- Pack the food to be frozen and close the packing so that it would not allow entrance of air.
- Ensure that you pack your food before putting them in the freezer. Use freezer containers, foils and moisture-proof papers, plastic bags and other packing materials instead of traditional packing papers.
- Label each pack of food by adding the date before freezing. You may distinguish the freshness of each food pack in this way when you open your freezer each time. Store the food frozen before in the front side of compartment to ensure that they are used first.



The freezer compartment defrosts automatically.

- Frozen food must be used immediately after they are thawed and they should not be re-frozen.
- Do not freeze too large quantities of food at one time.

Freezer Compartment Setting	Fridge compartment Setting	Remarks
-18°C	4°C	This is the normal recommended setting.
-20,-22 or -24°C	4°C	These settings are recommended when the ambient temperature exceeds 30°C.
Quick Freeze	4°C	Use when you wish to freeze your food in a short time. Your product will return to its previous mode when the process is over.
-18°C or colder	2°C	Use these settings if you think that your fridge compartment is not cold enough because of the hot ambient conditions or frequent opening and closing of the door.

Operating the product

5.25. Recommendations for preserving the frozen food

Compartment shall be set to -18°C at least.

1. Put packages in the freezer as quickly as possible after purchase without allowing the to thaw.
2. Check whether the "Use By" and "Best Before" dates on the packaging are expired or not before freezing it.
3. Ensure that the package of the food is not damaged.

5.26. Deep-freeze information

According to IEC 62552 standards, the product shall freeze at least 4.5 kg of food at 25°C ambient temperature to -18°C or lower within 24 hours for every 100-litres of freezer volume.

It is possible to preserve the food for a long time only at -18°C or lower temperatures.

You can keep the freshness of food for many months (at -18°C or lower temperatures in the deep freeze).

Foods to be frozen should not be allowed to come in contact with the previously frozen items to prevent them from getting thawed partially.

Boil the vegetables and drain their water in order to store vegetables for a longer time as frozen. After draining their water, put them in air-proof packages and place them inside the freezer. Food such as bananas, tomatoes, lettuce, celery, boiled eggs, potatoes are not suitable for freezing. When these foods are frozen, only their nutritional value and taste shall be affected negatively. They shall not be spoiled so that they would create a risk for human health.

5.27. Placing the food

Freezer compartment shelves	Various frozen food such as meat, fish, ice cream, vegetables and etc.
Refrigerator compartment shelves	Food in pans, covered plates and closed containers, eggs (in closed container)
Door shelves of fridge compartment	Small and packaged food or beverage
Crisper	Vegetables and fruits
Fresh zone compartment	Delicatessen (breakfast food, meat products that shall be consumed in a short time)

5.28. Door open warning

(This feature is optional)

Door open warning is given to user both visually and acoustically. If the warning continues for 10 minutes, interior lights will be turned off.

Operating the product

5.29. Changing the door opening direction

Door opening direction of your refrigerator can be changed according to the place you are using it. If this is necessary, please call your nearest Authorized Service.

Above description is a general expression. For information on changing the opening direction of the door, you must refer to the warning label located on the inner side of the door.

5.30. Illumination lamp

LED lamps are used as illumination lamps. Contact authorized service in case of any problem with this type of light.

The lamp(s) used in this appliance is not suitable for household room illumination. The intended purpose of this lamp is to assist the user to place foodstuffs in the refrigerator/freezer in a safe and comfortable way.

Service life of the product is increase if it is regularly cleaned



WARNING: First unplug the product before cleaning your refrigerator.

- Never use any sharp and abrasive tools, soap, household cleaners, detergent and wax polish for cleaning.
- Dissolve one teaspoon of carbonate in half liter of water. Soak a cloth with the solution and wrung it thoroughly. Wipe the interior of the appliance with this cloth and the dry thoroughly.
- Make sure that no water enters the lamp housing and other electrical items.
- Clean the door with a damp cloth. To remove door and body shelves, remove all of its contents. Remove door shelves by moving them upwards. After cleaning, slide them from top to bottom to install.
- Never use cleaning agents or water that contain chlorine to clean the outer surfaces and chromium coated parts of the product. Chlorine causes corrosion on such metal surfaces.
- Do not use sharp, abrasive tools, soap, household cleaning agents, detergents, kerosene, fuel oil, varnish etc. to prevent removal and deformation of the prints on the plastic part. Use lukewarm water and a soft cloth for cleaning and then wipe it dry.

6.1. Avoiding bad odors

Materials that may cause odor are not used in the production of our appliances. However, due to inappropriate food preserving conditions and not cleaning the inner surface of the appliance as required can bring forth the problem of odor.

Therefore, clean the refrigerator with carbonate dissolved in water every 15 days.

- Keep the food in closed containers. Microorganisms spreading out from uncovered containers can cause unpleasant odours.
- Never keep the food that have expired best before dates and spoiled in the refrigerator.

6.2. Protecting the plastic surfaces

Clean with arm water immediately as the oil may cause damage on the surface when it is poured on plastic surfaces.

6.3. Door Glasses

Remove the protective foil on the glasses.

There is a coating on the surface of the glasses. This coating minimizes the stain build-up and helps to remove the possible stains and dirt easily. Glasses that are not protected with such a coating may be subject to persistent binding of air or water based organic or inorganic dirt such as limescale, mineral salts, unburned hydrocarbons, metal oxides and silicones that can easily and quickly cause stains or material damage. Keeping the glass clean becomes too difficult despite the regular cleaning. Consequently, the appearance and the transparency of the glass deteriorates. Harsh and corrosive cleaning methods and compounds will intensify these defects and speed up the deterioration process.

Water-based cleaning products that are not alkaline and corrosive must be used for regular cleaning purposes.

Non-alkaline and non-corrosive materials must be used for cleaning so that the

service life of this coating lasts for a long time.

These glasses are tempered to increase their durability against impacts and breaking. A safety film is also applied to their rear surfaces as an extra safety measure in order to prevent them from causing damage to their surrounding in case of a breakage.

*Alkali is a base that forms hydroxide ions (OH^-) when it is dissolved in water. Li (Lithium), Na (Sodium), K (Potassium) Rb (Rubidium), Cs (Cesium) and artificial and radioactive Fr (Francium) metals are called ALKALI METALS.

Check this list before contacting the service. Doing so will save you time and money. This list includes frequent complaints that are not related to faulty workmanship or materials. Certain features mentioned herein may not apply to your product.

The refrigerator is not working.

- The power plug is not fully settled. >>> Plug it in to settle completely into the socket.
- The fuse connected to the socket powering the product or the main fuse is blown. >>> Check the fuses.

Condensation on the side wall of the cooler compartment (MULTI ZONE, COOL, CONTROL and FLEXI ZONE).

- The door is opened too frequently >>> Take care not to open the product's door too frequently.
- The environment is too humid. >>> Do not install the product in humid environments.
- Foods containing liquids are kept in unsealed holders. >>> Keep the foods containing liquids in sealed holders.
- The product's door is left open. >>> Do not keep the product's door open for long periods.
- The thermostat is set to too low temperature. >>> Set the thermostat to appropriate temperature.

Compressor is not working.

- In case of sudden power failure or pulling the power plug off and putting back on, the gas pressure in the product's cooling system is not balanced, which triggers the compressor thermic safeguard. The product will restart after approximately 6 minutes. If the product does not restart after this period, contact the service.
- Defrosting is active. >>> This is normal for a fully-automatic defrosting product. The defrosting is carried out periodically.
- The product is not plugged in. >>> Make sure the power cord is plugged in.
- The temperature setting is incorrect. >>> Select the appropriate temperature setting.
- The power is out. >>> The product will continue to operate normally once the power is restored.

The refrigerator's operating noise is increasing while in use.

- The product's operating performance may vary depending on the ambient temperature variations. This is normal and not a malfunction.

The refrigerator runs too often or for too long.

- The new product may be larger than the previous one. Larger products will run for longer periods.
- The room temperature may be high. >>> The product will normally run for long periods in higher room temperature.
- The product may have been recently plugged in or a new food item is placed inside. >>> The product will take longer to reach the set temperature when recently plugged in or a new food item is placed inside. This is normal.
- Large quantities of hot food may have been recently placed into the product. >>> Do not place hot food into the product.
- The doors were opened frequently or kept open for long periods. >>> The warm air moving inside will cause the product to run longer. Do not open the doors too frequently.
- The freezer or cooler door may be ajar. >>> Check that the doors are fully closed.
- The product may be set to temperature too low. >>> Set the temperature to a higher degree and wait for the product to reach the adjusted temperature.
- The cooler or freezer door washer may be dirty, worn out, broken or not properly settled. >>> Clean or replace the washer. Damaged / torn door washer will cause the product to run for longer periods to preserve the current temperature.

The freezer temperature is very low, but the cooler temperature is adequate.

- The freezer compartment temperature is set to a very low degree. >>> Set the freezer compartment temperature to a higher degree and check again.

Troubleshooting

The cooler temperature is very low, but the freezer temperature is adequate.

- The cooler compartment temperature is set to a very low degree. >>> Set the freezer compartment temperature to a higher degree and check again.

The food items kept in cooler compartment drawers are frozen.

- The cooler compartment temperature is set to a very low degree. >>> Set the freezer compartment temperature to a higher degree and check again.

The temperature in the cooler or the freezer is too high.

- The cooler compartment temperature is set to a very high degree. >>> Temperature setting of the cooler compartment has an effect on the temperature in the freezer compartment. Wait until the temperature of relevant parts reach the sufficient level by changing the temperature of cooler or freezer compartments.
- The doors were opened frequently or kept open for long periods. >>> Do not open the doors too frequently.
- The door may be ajar. >>> Fully close the door.
- The product may have been recently plugged in or a new food item is placed inside. >>> This is normal. The product will take longer to reach the set temperature when recently plugged in or a new food item is placed inside.
- Large quantities of hot food may have been recently placed into the product. >>> Do not place hot food into the product.

Shaking or noise.

- The ground is not level or durable. >>> If the product is shaking when moved slowly, adjust the stands to balance the product. Also make sure the ground is sufficiently durable to bear the product.
- Any items placed on the product may cause noise. >>> Remove any items placed on the product.

The product is making noise of liquid flowing, spraying etc.

- The product's operating principles involve liquid and gas flows. >>> This is normal and not a malfunction.

There is sound of wind blowing coming from the product.

- The product uses a fan for the cooling process. This is normal and not a malfunction.

There is condensation on the product's internal walls.

- Hot or humid weather will increase icing and condensation. This is normal and not a malfunction.
- The doors were opened frequently or kept open for long periods. >>> Do not open the doors too frequently; if open, close the door.
- The door may be ajar. >>> Fully close the door.

There is condensation on the product's exterior or between the doors.

- The ambient weather may be humid, this is quite normal in humid weather. >>> The condensation will dissipate when the humidity is reduced.

The interior smells bad.

- The product is not cleaned regularly. >>> Clean the interior regularly using sponge, warm water and carbonated water.
- Certain holders and packaging materials may cause odour. >>> Use holders and packaging materials without free of odour.
- The foods were placed in unsealed holders. >>> Keep the foods in sealed holders. Micro-organisms may spread out of unsealed food items and cause malodour. Remove any expired or spoilt foods from the product.

The door is not closing.

- Food packages may be blocking the door. >>> Relocate any items blocking the doors.
- The product is not standing in full upright position on the ground. >>> Adjust the stands to balance the product.

Troubleshooting

- The ground is not level or durable. >>> Make sure the ground is level and sufficiently durable to bear the product.

The vegetable bin is jammed.

- The food items may be in contact with the upper section of the drawer. >>> Reorganize the food items in the drawer.

If The Surface Of The Product Is Hot.

- High temperatures may be observed between the two doors, on the side panels and at the rear grill while the product is operating. This is normal and does not require service maintenance! Be careful when touching these areas.






WARNING:


If the problem persists after following the instructions in this section, contact your vendor or an Authorised Service. Do not try to repair the product.

- Αγαπητέ Πελάτη,
- Θα θέλαμε να έχετε τη μέγιστη απόδοση από το προϊόν μας, το οποίο κατασκευάστηκε σε μοντέρνες εγκαταστάσεις με σχολαστικούς ελέγχους ποιότητας.
- Για το σκοπό αυτό, διαβάστε πλήρως τις οδηγίες χρήσης πριν χρησιμοποιήσετε το προϊόν και φυλάξτε τις ως πηγή αναφοράς. Αν παραδώσετε το προϊόν σε άλλο άτομο, παραδώστε μαζί και αυτές τις οδηγίες.

Οι οδηγίες χρήσης διασφαλίζουν τη γρήγορη και ασφαλή χρήση του προϊόντος.

- Διαβάστε τις οδηγίες χρήσης πριν την εγκατάσταση και τη λειτουργία του προϊόντος.
 - Πάντα να τηρείτε τις εφαρμόσιμες οδηγίες ασφαλείας.
 - Να διατηρείτε τις οδηγίες χρήσης σε σημείο με εύκολη πρόσβαση, για μελλοντική χρήση.
 - Παρακαλούμε να διαβάστε και οποιαδήποτε άλλη τεκμηρίωση συνοδεύει το προϊόν.
 - Να έχετε υπόψη σας ότι αυτές οι οδηγίες χρήσης μπορεί να έχουν εφαρμογή σε περισσότερα από ένα μοντέλα του προϊόντος. Ο οδηγός υποδεικνύει με σαφήνεια τυχόν παραλλαγές των διάφορων μοντέλων.
- **Σύμβολα και παρατηρήσεις**
 - **Στις οδηγίες χρήσης χρησιμοποιούνται τα ακόλουθα σύμβολα:**

	Σημαντικές πληροφορίες και χρήσιμες συμβουλές.
	Κίνδυνος για τη ζωή και την περιουσία.
	Κίνδυνος ηλεκτροπληξίας.

	Η συσκευασία του προϊόντος είναι κατασκευασμένη από ανακυκλώσιμα υλικά σύμφωνα με την Εθνική νομοθεσία προστασίας του περιβάλλοντος.
---	--

Πίνακας περιεχομένων

1 Οδηγίες για την ασφάλεια και το περιβάλλον	3	5.11 Συρτάρι λαχανικών	23
1.1. Γενική ασφάλεια.	3	5.12 Διαμέρισμα έντονης ψύξης	23
1.1.1 Προειδοποίηση HC	5	5.13. Κινητό ράφι πόρτας	24
1.1.2 Για μοντέλα με διανομέα νερού.	5	5.14. Συρόμενο δοχείο αποθήκευσης	24
1.2. Προβλεπόμενη χρήση	5	5.15. Μπλε φως	24
1.3. Ασφάλεια των παιδιών.	5	5.16. Συρτάρι λαχανικών ελεγχόμενης υγρασίας	25
1.4. Συμμόρφωση με την Οδηγία περί ΑΗΕΕ και απόρριψη του προϊόντος στο τέλος της ωφέλιμης ζωής του.	6	5.17 Αυτόματο Icematic	25
1.5. Συμμόρφωση με την Οδηγία RoHS	6	5.18. Περιγραφή και καθαρισμός του φίλτρου οσμών	26
1.6. Πληροφορίες για τη συσκευασία	6	5.19. Χρήση του διανομέα νερού	26
2 Ψυγείο	7	5.20. Χρήση του διανομέα νερού	26
3 Εγκατάσταση	8	5.21. Γέμισμα του δοχείου του διανομέα νερού.	27
3.1. Σωστή θέση εγκατάστασης	8	5.22. Καθαρισμός του δοχείου νερού	27
3.2. Τοποθέτηση των πλαστικών αποστατών	8	5.23. Δίσκος συλλογής σταγόνων.	28
3.3. Ρύθμιση των ποδιών	9	5.24. Κατάψυξη νωπών τροφίμων	30
3.4. Σύνδεση ρεύματος	9	5.25. Υποδείξεις για τη φύλαξη κατεψυγμένων τροφίμων	30
3.5. Αντιστροφή της φοράς ανοίγματος των πορτών	10	5.26. Λεπτομέρειες για τη βαθιά κατάψυξη	30
3.6. Αντιστροφή της φοράς ανοίγματος των πορτών	11	5.27. Τοποθέτηση των τροφίμων	31
4 Προετοιμασία	12	5.28. Ειδοποίηση ανοικτής πόρτας (προαιρετ.)	31
4.1. Τι πρέπει να κάνετε για εξοικονόμηση ενέργειας.	12	5.29. Εσωτερικό φως	31
4.2. Αρχική χρήση.	12	6 Συντήρηση και καθαρισμός	32
5 Χρήση του προϊόντος	13	6.1. Αποτροπή δυσάρεστων οσμών.	32
5.1. Κουμπί ρύθμισης θερμοκρασίας	13	6.2. Προστασία των πλαστικών επιφανειών	32
5.2. Ταχεία κατάψυξη	13	6 Συντήρηση και καθαρισμός	33
5.3. Λειτουργία διακοπών	14	6.3. Τζαμιά πόρτας	33
5.4. Πίνακας ενδείξεων	15	7 Επίλυση προβλημάτων	34
5.5. Πίνακας ενδείξεων	17		
5.7. Twist Icematic	22		
5.8. Παγοθήκη.	23		
5.9. Αυγοθήκη.	23		
5.10. Ανεμιστήρας.	23		

Αυτή η ενότητα παρέχει τις οδηγίες ασφαλείας που είναι απαραίτητες για την αποτροπή κινδύνου τραυματισμού και υλικής ζημιάς. Η μη τήρηση αυτών των οδηγιών θα ακυρώσει κάθε τύπο εγγύησης του προϊόντος.

Προβλεπόμενος σκοπός χρήσης



ΠΡΟΣΟΧΗ:

βεβαιωθείτε ότι οι οπές εξαιρισμού δεν είναι κλεισμένοι όταν η συσκευή είναι στη δική συσκευασία της και όταν είναι εγκατεστημένη.

ΠΡΟΣΟΧΗ:

Για να επιταχυνθεί η λειτουργία απόψυξης, παρακαλούμε να μη χρησιμοποιείτε κανένα άλλο μηχανικό ή άλλο εξοπλισμό εκτός από τα οπεία που συνιστώνται από τον κατασκευαστή.

ΠΡΟΣΟΧΗ:

Μην καταστρέφετε το ψυκτικό κύκλωμα.

ΠΡΟΣΟΧΗ:

Μην χρησιμοποιείτε ηλεκτρικές συσκευές που δεν συνιστώνται από τον κατασκευαστή στους χώρους αποθήκευσης τροφίμων.

Αυτή η συσκευή έχει σχεδιαστεί για χρήση στο σπίτι ή στις παρακάτω περιοχές εφαρμογής

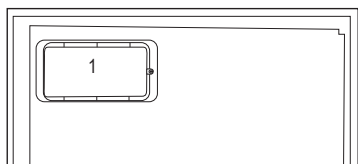
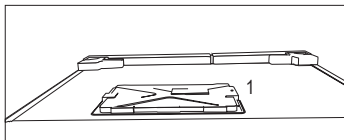
- Μπορεί να χρησιμοποιηθεί στις κουζίνες των γραφείων, μαγαζιών και των άλλων των εργασιακών περιβαλλόντων,
- Μπορεί να χρησιμοποιηθεί από τους πελάτες στα αγρόκτηματα, ξενοδοχεία, μοτέλ και στα άλλα περιβάλλοντα καταλύματος,
- Στα περιβάλλοντα όπως πανσιόν,
- Στους τόπους όπου δεν υπάρχει υπηρεσία τροφοδοσίας και στις παρόμοιες εφαρμογές.

1.1. Γενική ασφάλεια

- Αυτό το προϊόν δεν πρέπει να χρησιμοποιείται από άτομα με μειωμένες σωματικές, αισθητηριακές και πνευματικές ικανότητες, από άτομα που δεν έχουν επαρκή γνώση και εμπειρία και από παιδιά. Η συσκευή αυτή μπορεί να χρησιμοποιείται από τέτοια άτομα υπό την επίβλεψη και καθοδήγηση ατόμου υπεύθυνου για την ασφάλειά τους. Δεν πρέπει να επιτρέπεται σε παιδιά να παίζουν με αυτή τη συσκευή.
- Σε περίπτωση δυσλειτουργίας, αποσυνδέστε τη συσκευή από την πρίζα.
- Μετά την αποσύνδεση της συσκευής από την πρίζα, περιμένετε τουλάχιστον 5 λεπτά πριν τη συνδέσετε πάλι. Αποσυνδέετε το προϊόν από την πρίζα όταν δεν χρησιμοποιείται. Μην αγγίζετε το φινι ρευματοληψίας με υγρά χέρια! Μην τραβάτε το καλώδιο για αποσύνδεση από την πρίζα, πάντα να τραβάτε μόνο το φινι.
- Σκουπίστε τους ακροδέκτες του φινι ρευματοληψίας με ένα στεγνό πανί πριν συνδέσετε το φινι στην πρίζα.
- Μη συνδέσετε το ψυγείο στην πρίζα, αν η πρίζα δεν είναι καλά στερεωμένη.
- Αποσυνδέετε το προϊόν πριν από εργασίες εγκατάστασης, συντήρησης, καθαρισμού και επισκευής.
- Αν το προϊόν δεν πρόκειται να χρησιμοποιηθεί για μεγάλο χρονικό διάστημα, αποσυνδέστε το από την πρίζα και αφαιρέστε όλα τα τρόφιμα από το εσωτερικό του.
- Μη χρησιμοποιείτε ατμό ή μέσα καθαρισμού που παράγουν ατμό για τον καθαρισμό του ψυγείου και την τήξη του πάγου στο εσωτερικό του. Ο ατμός μπορεί να έρθει σε επαφή με σημεία που βρίσκονται υπό τάση και να προκαλέσει βραχυκύκλωμα ή ηλεκτροπληξία!

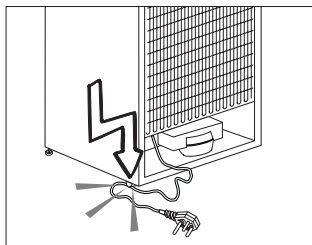
Οδηγίες για την ασφάλεια και το περιβάλλον

- Μην πλένετε το προϊόν ψεκάζοντας ή χύνοντας νερό πάνω του! Κίνδυνος ηλεκτροπληξίας!
- Σε καμία περίπτωση μη χρησιμοποιήσετε το προϊόν αν είναι ανοικτό το τμήμα στο πάνω ή πίσω μέρος του προϊόντος που περιέχει τις πλακάτες τυπωμένων κυκλωμάτων (κάλυμμα τυπωμένων κυκλωμάτων) (1).



- Σε περίπτωση δυσλειτουργίας μη χρησιμοποιήσετε το προϊόν, γιατί κάτι τέτοιο θα μπορούσε να είναι αιτία ηλεκτροπληξίας. Πριν κάνετε οτιδήποτε απευθυνθείτε σε εξουσιοδοτημένο σέρβις.
- Συνδέστε το προϊόν σε πρίζα με γείωση. Η γείωση πρέπει να έχει γίνει από εξειδικευμένο ηλεκτρολόγο.
- Αν το προϊόν διαθέτει φωτισμό τύπου LED, απευθυνθείτε σε εξουσιοδοτημένο σέρβις για αντικατάσταση ή σε περίπτωση οποιουδήποτε προβλήματος.
- Μην αγγίζετε κατεψυγμένα τρόφιμα με υγρά χέρια! Μπορεί να κολλήσουν στα χέρια σας!
- Μην τοποθετείτε μέσα στο θάλαμο κατάψυξης υγρά σε μπουκάλια ή μεταλλικά κουτάκια. Μπορεί να σκάσουν!
- Τοποθετείτε τα δοχεία υγρών σε όρθια θέση με σφικτά κλεισμένο το κάλυμμα.
- Μην ψεκάζετε εύφλεκτες ουσίες κοντά στο προϊόν, γιατί μπορεί να προκληθεί φωτιά ή έκρηξη.
- Μη διατηρείτε μέσα στο ψυγείο εύφλεκτα υλικά και προϊόντα που περιέχουν εύφλεκτο αέριο (σπρέι κλπ.).

- Μην τοποθετείτε πάνω στο προϊόν δοχεία που περιέχουν υγρά. Τυχόν πιπίλισμα νερού πάνω σε εξάρτημα υπό τάση μπορεί να προκαλέσει ηλεκτροπληξία και κίνδυνο φωτιάς.
- Η έκθεση του προϊόντος σε βροχή, χιόνι, ηλιακή ακτινοβολία και άνεμο θα προκαλέσει ηλεκτρικό κίνδυνο. Όταν αλλάζετε θέση στο προϊόν, μην το τραβήξετε από τη λαβή της πόρτας. Η λαβή μπορεί να αποκολληθεί.
- Προσέξτε να αποφύγετε την παγίδευση οποιουδήποτε τμήματος των χεριών ή του σώματός σας σε οποιοδήποτε από τα κινούμενα μέρη στο εσωτερικό του προϊόντος.
- Μην ανεβαίνετε και μη στηρίζετε στην πόρτα, τα συρτάρια και παρόμοια μέρη του ψυγείου. Κάτι τέτοιο θα προκαλέσει πτώση του προϊόντος και ζημιά στα μέρη της συσκευής.
- Προσέξτε να μην παγιδευτεί το καλώδιο ρεύματος.



1.1.1 Προειδοποίηση HC

- Αν το προϊόν περιλαμβάνει ψυκτικό σύστημα που χρησιμοποιεί το αέριο R600a, προσέξτε να αποφύγετε την πρόκληση ζημιάς στο ψυκτικό σύστημα και στους σωλήνες τους όταν χρησιμοποιείτε και μεταφέρετε το προϊόν. Αυτό το αέριο είναι εύφλεκτο. Αν έχει υποστεί ζημιά το ψυκτικό σύστημα, κρατήστε το προϊόν μακριά από πηγές φλόγας ή σπινθήρες και αερίστε αμέσως το δωμάτιο.

Οδηγίες για την ασφάλεια και το περιβάλλον



Η ετικέτα στην εσωτερική αριστερή πλευρά υποδεικνύει τον τύπο αερίου που χρησιμοποιείται στο προϊόν.

1.1.2 Για μοντέλα με διανομέα νερού

- Η μέγιστη πίεση για την είσοδο κρύου νερού θα είναι 90 psi (620 kPa). Αν η πίεση νερού υπερβαίνει τα 80 psi (550 kPa), χρησιμοποιήστε μια βαλβίδα περιορισμού πίεσης στο σύστημα παροχής νερού σας. Αν δεν γνωρίζετε πώς να ελέγξετε την πίεση νερού, ζητήστε τη βοήθεια επαγγελματία υδραυλικού.
- Αν υπάρχει κίνδυνος φαινομένου υδραυλικού πλήγματος (απότομης μεταβολής πίεσης του νερού) στην εγκατάστασή σας, πάντα να χρησιμοποιείτε στην εγκατάσταση εξοπλισμό αποτροπής του υδραυλικού πλήγματος. Συμβουλευτείτε επαγγελματίες υδραυλικούς αν δεν είστε σίγουροι ότι δεν υπάρχει φαινόμενο υδραυλικού πλήγματος στην εγκατάστασή σας.
- Μην εγκαταστήσετε στην είσοδο ζεστού νερού. Λάβετε μέτρα προφύλαξης έναντι του κινδύνου να παγώσουν οι εύκαμπτοι σωλήνες. Η περιοχή θερμοκρασιών νερού λειτουργίας είναι από ελάχιστη 0,6 °C (33 °F) έως μέγιστη 38 °C (100 °F).
- Να χρησιμοποιείτε μόνο πόσιμο νερό.
- Να χρησιμοποιείτε μόνο πόσιμο νερό.

1.2. Προβλεπόμενη χρήση

- Αυτό το προϊόν έχει σχεδιαστεί για οικιακή χρήση. Δεν προορίζεται για επαγγελματική χρήση.
- Το προϊόν θα πρέπει να χρησιμοποιείται μόνο για τη φύλαξη τροφίμων και ποτών.
- Μη διατηρείτε μέσα στο ψυγείο ευαίσθητα προϊόντα που χρειάζονται ελεγχόμενες θερμοκρασίες (εμβόλια, φάρμακα ευαίσθητα στη θερμοκρασία, ιατρικά υλικά κλπ.).
- Ο κατασκευαστής δεν αποδέχεται καμία ευθύνη για οποιαδήποτε ζημία λόγω κακής

χρήσης ή κακής μεταχείρισης.

- Γνήσια ανταλλακτικά θα είναι διαθέσιμα για 10 έτη από την ημερομηνία αγοράς του προϊόντος.

1.3. Ασφάλεια των παιδιών

- Κρατάτε τα υλικά συσκευασίας μακριά από τα παιδιά.
- Μην επιτρέπετε σε παιδιά να παίζουν με το προϊόν.
- Αν η πόρτα του προϊόντος περιλαμβάνει κλειδαριά, κρατάτε το κλειδί μακριά από παιδιά.

1.4. Συμμόρφωση με την Οδηγία περι ΑΗΕΕ και απόρριψη του προϊόντος στο τέλος της ωφέλιμης ζωής του

Αυτό το προϊόν συμμορφώνεται με την Οδηγία ROHS (περιορισμού χρήσης ορισμένων επικίνδυνων ουσιών) της ΕΕ (2012/19/ΕΕ).



Το προϊόν αυτό φέρει ένα σύμβολο ταξινόμησης για απόβλητα ηλεκτρικού και ηλεκτρονικού εξοπλισμού (ΑΗΗΕ). Αυτό το προϊόν έχει κατασκευαστεί με εξαρτήματα και υλικά υψηλής ποιότητας

τα οποία μπορούν να επαναχρησιμοποιηθούν και είναι κατάλληλα για ανακύκλωση. Στο τέλος της ωφέλιμης ζωής του προϊόντος, μην το απορρίψετε μαζί με τα κανονικά οικιακά και άλλα απόβλητα. Παραδώστε το σε κέντρο συλλογής για την ανακύκλωση ηλεκτρικού και ηλεκτρονικού εξοπλισμού. Για να μάθετε περισσότερα σχετικά με αυτά τα κέντρα συλλογής, απευθυνθείτε στις τοπικές σας αρχές.

1.5. Συμμόρφωση με την Οδηγία RoHS

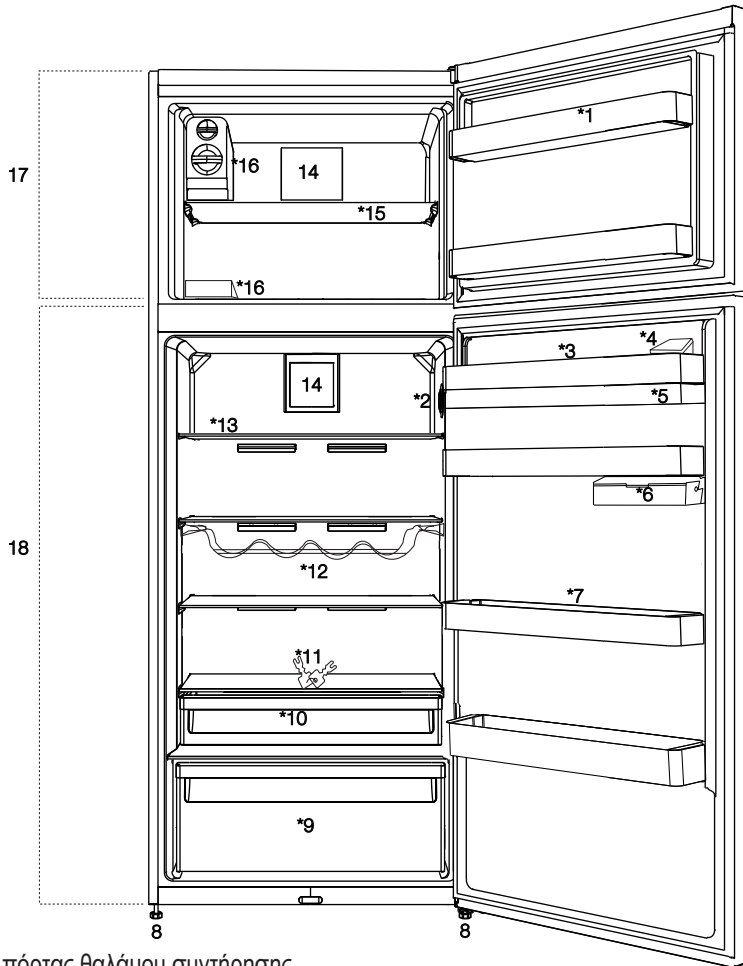
- Αυτό το προϊόν συμμορφώνεται με την Οδηγία ROHS (περιορισμού χρήσης ορισμένων επικίνδυνων ουσιών) της ΕΕ

Οδηγίες για την ασφάλεια και το περιβάλλον

(2011/65/ΕΕ). Δεν περιέχει επιβλαβή και απαγορευμένα υλικά που καθορίζονται στην Οδηγία.

1.6. Πληροφορίες για τη συσκευασία

- Τα υλικά συσκευασίας του προϊόντος κατασκευάζονται από ανακυκλώσιμα υλικά σύμφωνα με του Εθνικούς μας Κανονισμούς Προστασίας του Περιβάλλοντος. Μην απορρίψετε τα υλικά συσκευασίας μαζί με οικιακά ή άλλα απορρίμματα. Παραδώστε τα στα σημεία συλλογής υλικών συσκευασίας που έχουν οριστεί από τις τοπικές αρχές.



- | | |
|---|---|
| <ol style="list-style-type: none"> 1. Ράφι πόρτας θαλάμου συντήρησης 2. Κουμπί ρύθμισης θερμοκρασίας 3. Δοχείο πλήρωσης διανομέα νερού 4. Θήκη αυγών 5. Ρεζερβουάρ διανομέα νερού 6. Δοχείο φύλαξης κάτω από το ράφι πόρτας 7. Κινητό ράφι πόρτας 8. Ρυθμιζόμενο ποδαράκι 9. Συρτάρι λαχανικών 10. Διαμέρισμα έντονης ψύξης 11. Κλειδαριά και κλειδί | <ol style="list-style-type: none"> 12. Ράφι μπουκαλιών 13. Γυάλινο ράφι θαλάμου συντήρησης 14. Ανεμιστήρας 15. Ράφι θαλάμου κατάψυξης 16. Κιβώτιο πάγου / Διαμέρισμα παρασκευής πάγου 17. Θάλαμος κατάψυξης 18. Θάλαμος συντήρησης |
|---|---|



*Προαιρετικός εξοπλισμός: Οι εικόνες σε αυτές τις οδηγίες χρήσης είναι σχηματικές και μπορεί να μην ταιριάζουν ακριβώς στο προϊόν σας. Αν το προϊόν σας δεν περιλαμβάνει τα σχετικά εξαρτήματα, οι πληροφορίες αφορούν άλλα μοντέλα.

3.1. Σωστή θέση εγκατάστασης

Για την εγκατάσταση του προϊόντος, απευθυνθείτε στο Εξουσιοδοτημένο σέρβις. Για να ετοιμάσετε το προϊόν για εγκατάσταση, ανατρέξτε στις πληροφορίες των οδηγιών χρήσης και βεβαιωθείτε ότι οι παροχές ρεύματος και νερού είναι σύμφωνες με τις απαιτήσεις. Διαφορετικά, καλέστε ηλεκτρολόγο και/ή υδραυλικό για την απαιτούμενη προετοιμασία των παραγών.



ΠΡΟΕΙΔΟΠΟΙΗΣΗ: Ο κατασκευαστής δεν αποδέχεται καμία ευθύνη για οποιαδήποτε ζημία προκύψει από εργασίες που εκτελέστηκαν από μη εξουσιοδοτημένα άτομα.



ΠΡΟΕΙΔΟΠΟΙΗΣΗ: Το καλώδιο ρεύματος του προϊόντος πρέπει να είναι αποσυνδεδεμένο από την πρίζα κατά την εγκατάσταση. Σε αντίθετη περίπτωση, μπορεί να προκληθεί θάνατος ή σοβαροί τραυματισμοί!



ΠΡΟΕΙΔΟΠΟΙΗΣΗ: Αν το άνοιγμα της πόρτας του δωματίου είναι πολύ μικρό για να περάσει το προϊόν, αφαιρέστε την πόρτα και γυρίστε το προϊόν στο πλάι. Αν και αυτό δεν ωφελήσει, απευθυνθείτε στο εξουσιοδοτημένο σέρβις.

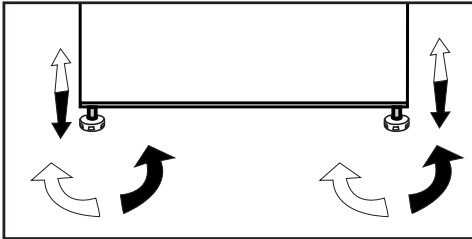
- Τοποθετήστε το προϊόν σε επίπεδη επιφάνεια, για να αποφύγετε κραδασμούς.
- Τοποθετήστε το προϊόν τουλάχιστον 30 cm μακριά από σόμπα, συσκευή κουζίνας και παρόμοιες πηγές θερμότητας και τουλάχιστον 5 cm από ηλεκτρικούς φούρνους.
- Μην εκθέτετε το προϊόν σε άμεση ηλιακή ακτινοβολία και μην το κρατάτε σε περιβάλλον με υγρασία.
- Το προϊόν χρειάζεται επαρκή κυκλοφορία αέρα για να λειτουργεί αποδοτικά. Αν το προϊόν πρόκειται να τοποθετηθεί μέσα σε εσοχή του τοίχου, θυμηθείτε να αφήσετε απόσταση τουλάχιστον 5 cm ανάμεσα στο προϊόν και την οροφή ή τα τοιχώματα.
- Μην εγκαταστήσετε το προϊόν σε περιβάλλον με θερμοκρασία κάτω από -5°C .

3.2. Τοποθέτηση των πλαστικών αποστατών

Μπορείτε να τοποθετήσετε τις 2 πλαστικές σφήνες όπως δείχνει η εικόνα. Οι πλαστικές σφήνες θα παρέχουν την απαιτούμενη απόσταση ανάμεσα στο ψυγείο σας και τον τοίχο ώστε να επιτρέπεται η κυκλοφορία του αέρα. (Το παρουσιαζόμενο σχήμα είναι μόνο ενδεικτικό και δεν αντιστοιχεί απόλυτα στο προϊόν σας.)

3.3. Ρύθμιση των ποδιών

Αν το προϊόν δεν έχει ισοροπηθεί καλά στη θέση του, ρυθμίστε τα μπροστινά ρυθμιζόμενα πόδια περιστρέφοντάς τα δεξιά ή αριστερά.



Προειδοποίηση για επιφάνειες υψηλής θερμοκρασίας
Τα πλευρικά τοιχώματα του προϊόντος περιλαμβάνουν σωληνες ψυκτικού, για βελτίωση του ψυκτικού συστήματος. Σε αυτές τις περιοχές μπορεί να διέρχεται ψυκτικό σε υψηλές θερμοκρασίες, με αποτέλεσμα να υπάρχουν επιφάνειες υψηλής θερμοκρασίας στα πλευρικά τοιχώματα. Αυτό είναι κάτι κανονικό και δεν απαιτείται σέρβις. Παρακαλούμε να προσέχετε όταν αγγίζετε αυτές τις περιοχές.

3.4. Σύνδεση ρεύματος



ΠΡΟΕΙΔΟΠΟΙΗΣΗ: Μη χρησιμοποιείτε καλώδια επέκτασης ή πολύπριζα για τη σύνδεση ρεύματος.



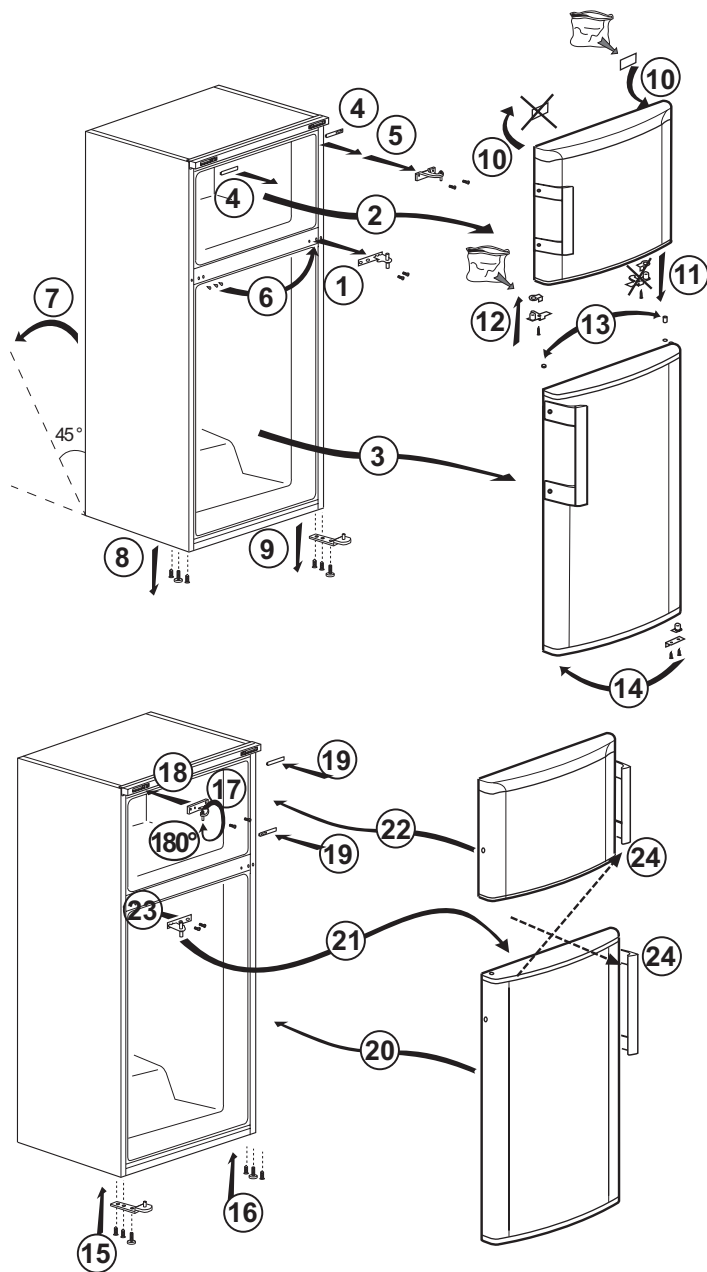
ΠΡΟΕΙΔΟΠΟΙΗΣΗ: Αν το καλώδιο έχει υποστεί ζημιά, πρέπει να αντικατασταθεί από το εξουσιοδοτημένο σέρβις.



Όταν τοποθετείτε δύο ψυγεία το ένα δίπλα στο άλλο, αφήστε απόσταση τουλάχιστον 4 cm ανάμεσα στις δύο μονάδες.

- Η εταιρεία μας δεν θα αναλάβει ευθύνη για οποιοσδήποτε ζημιές λόγω χρήσης του προϊόντος χωρίς γείωση και χωρίς σύνδεση ρεύματος που συμμορφώνεται με τους εθνικούς κανονισμούς.
- Το φινις του καλωδίου ρεύματος πρέπει να είναι εύκολα προσπελάσιμο μετά την εγκατάσταση.
- Μη χρησιμοποιείτε πολύπριζο με ή χωρίς καλώδιο επέκτασης ανάμεσα στην πρίζα τοίχου και στο ψυγείο.

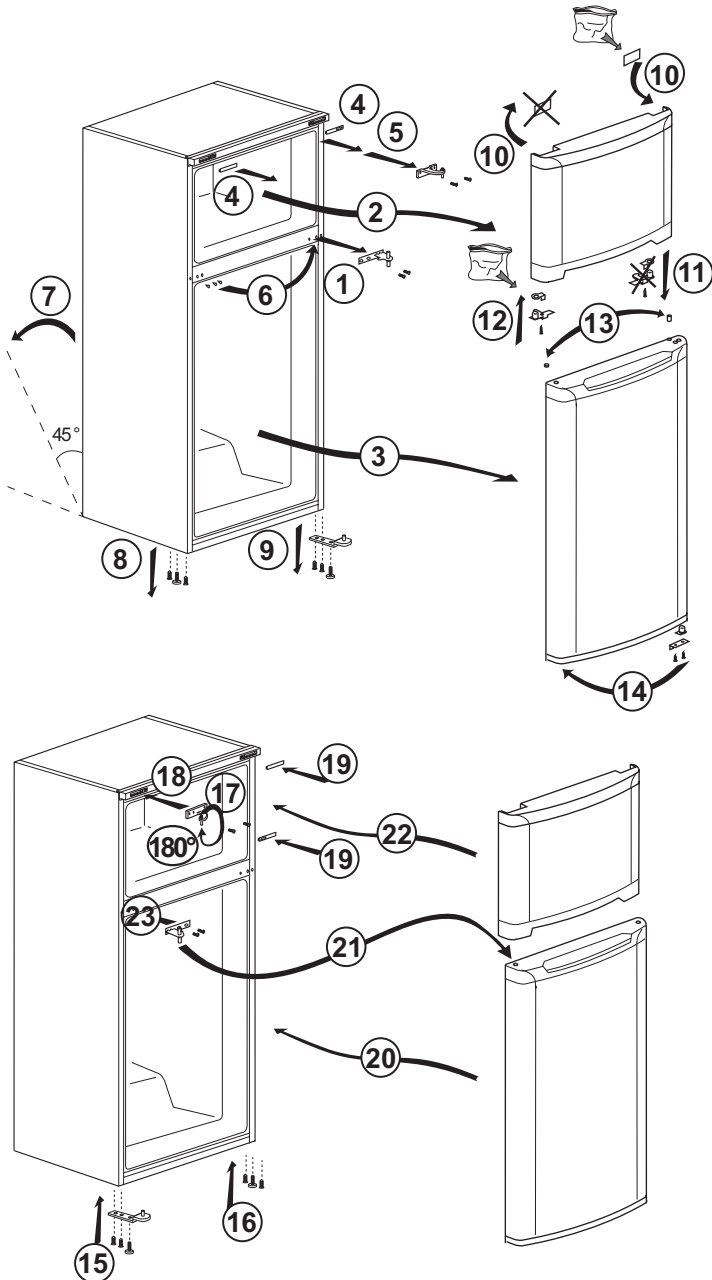
3.5. Αντιστροφή της φοράς ανοίγματος των πορτών



Εγκατάσταση

3.6. Αντιστροφή της φοράς ανοίγματος των πορτών

Προχωρήστε σύμφωνα με την σειρά των αριθμών.



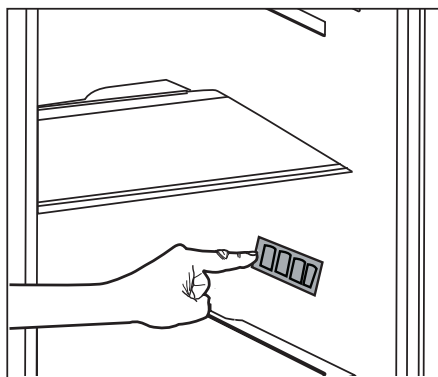
4 Προετοιμασία

4.1. Τι πρέπει να κάνετε για εξοικονόμηση ενέργειας



Η σύνδεση του προϊόντος σε συστήματα εξοικονόμησης ηλεκτρικής ενέργειας είναι επικίνδυνη, γιατί μπορεί να προξενήσει ζημιά στο προϊόν.

- Μην αφήνετε τις πόρτες του ψυγείου ανοικτές για μεγάλο χρονικό διάστημα.
- Μην τοποθετείτε ζεστά φαγητά ή ποτά στο ψυγείο σας.
- Μην υπερφορτώνετε το ψυγείο - η ψυκτική ικανότητα θα υποβαθμιστεί αν εμποδίζεται η κυκλοφορία του εσωτερικού αέρα.
- Για να αποθηκεύσετε τη μέγιστη ποσότητα τροφίμων στο διαμέρισμα κατάψυξης, θα πρέπει να αφαιρεθεί το σύστημα Icematic, που υπάρχει στο θάλαμο κατάψυξης και μπορεί να αφαιρεθεί εύκολα με το χέρι. Οι τιμές ωφέλιμου όγκου και κατανάλωσης ενέργειας που δηλώνονται στην πινακίδα δεδομένων ισχύος του ψυγείου σας έχουν μετρηθεί και δοκιμαστεί μετά την αφαίρεση του Icematic. Μην αφαιρείτε τα ράφια από το εσωτερικό και την πόρτα του θαλάμου κατάψυξης - αυτά πρέπει να χρησιμοποιούνται πάντα επειδή παρέχουν ευκολία χρήσης και αποδοτικότητα από άποψης κατανάλωσης ενέργειας.
- Δεν πρέπει να εμποδίζετε την κυκλοφορία του αέρα τοποθετώντας τρόφιμα στα πλαίσια του ανεμιστήρα του θαλάμου κατάψυξης. Πρέπει να διατηρείτε ελάχιστη απόσταση 3 cm στα πλαίσια του προστατευτικού καλύμματος του ανεμιστήρα.
- Πρέπει να χρησιμοποιείτε πάντα τα καλάθια/συρτάρια που παρέχονται με το διαμέρισμα έντονης ψύξης, για χαμηλή κατανάλωση ενέργειας και καλύτερες συνθήκες φύλαξης των τροφίμων.
- Η επαφή τροφίμων με τον αισθητήρα θερμοκρασίας στο θάλαμο κατάψυξης μπορεί να αυξήσει την κατανάλωση ενέργειας της συσκευής. Επομένως πρέπει να αποφεύγετε κάθε επαφή τροφίμων με τον αισθητήρα (τους αισθητήρες).
- Ανάλογα με τα χαρακτηριστικά του προϊόντος σας, αν αποψύχετε τα κατεψυγμένα τρόφιμα



στο θάλαμο συντήρησης, εξοικονομείτε ενέργεια και διατηρείτε την ποιότητα των τροφίμων.

- Μην επιτρέπετε την επαφή των τροφίμων με τον αισθητήρα θερμοκρασίας του θαλάμου συντήρησης που φαίνεται στην παρακάτω εικόνα.

4.2. Αρχική χρήση

Πριν ξεκινήσετε τη χρήση του ψυγείου σας, βεβαιωθείτε ότι έχουν γίνει όλες οι προετοιμασίες σύμφωνα με τις οδηγίες στις ενότητες "Οδηγίες για την ασφάλεια και το περιβάλλον" και "Εγκατάσταση".

- Αφήστε το προϊόν λειτουργήσει 6 ώρες πριν τοποθετήσετε τρόφιμα και μην ανοίξετε την πόρτα του εκτός αν απαιτείται οπωσδήποτε.



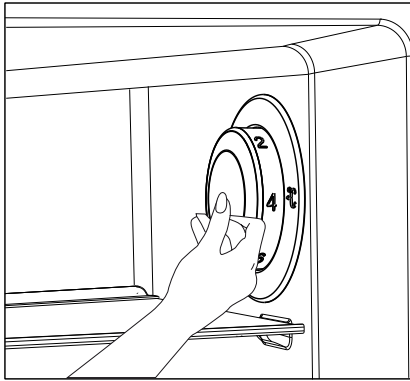
Θα ακούσετε ένα θόρυβο όταν αρχίσει η λειτουργία του συμπιεστή. Τα υγρά και τα αέρια που είναι στεγανά κλεισμένα μέσα στο ψυκτικό σύστημα μπορούν επίσης να προκαλέσουν θόρυβο, ακόμα και όταν δεν λειτουργεί ο συμπιεστής, και αυτό είναι πολύ φυσιολογικό



Οι μπροστινές πλευρές του προϊόντος μπορεί να είναι ζεστές. Αυτό είναι φυσιολογικό. Αυτές οι περιοχές είναι σχεδιασμένες να θερμαίνονται για την αποτροπή συμπύκνωσης.



Σε ορισμένα μοντέλα, ο πίνακας οργάνων απενεργοποιείται αυτόματα 5 λεπτά μετά το κλείσιμο της πόρτας. Θα ενεργοποιηθεί πάλι όταν ανοίξει η πόρτα ή πατηθεί οποιοδήποτε κουμπί.



5.1. Κουμπί ρύθμισης θερμοκρασίας

Η εσωτερική θερμοκρασία του ψυγείου αλλάζει για τους εξής λόγους:

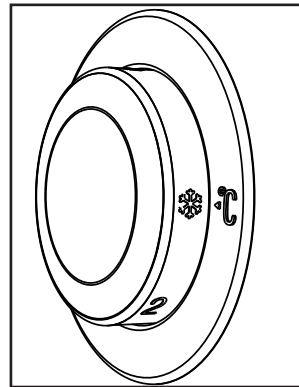
- Εποχικές διακυμάνσεις της θερμοκρασίας.
- Συχνό άνοιγμα της πόρτας και παραμονή της πόρτας ανοικτής για μεγάλα χρονικά διαστήματα.
- Τοποθέτηση τροφίμων στο ψυγείο χωρίς να έχουν ψυχθεί σε θερμοκρασία δωματίου.
- Θέση του ψυγείου στο δωμάτιο (π.χ. έκθεση στον ήλιο).
- Χρησιμοποιώντας το κουμπί ρύθμισης, μπορείτε να ρυθμίσετε την εσωτερική θερμοκρασία που μεταβάλλεται εξαιτίας όλων αυτών των αιτιών.
- Οι αριθμοί γύρω από το περιστροφικό κουμπί ελέγχου δείχνουν τις τιμές θερμοκρασίας σε "°C".
- Αν η θερμοκρασία περιβάλλοντος είναι 25 °C, συνιστούμε να χρησιμοποιήσετε το κουμπί ρύθμισης θερμοκρασίας του ψυγείου σας στους 4 °C. Σε άλλες θερμοκρασίες περιβάλλοντος, μπορείτε να αυξήσετε ή να μειώσετε αυτήν την τιμή όπως απαιτείται.

5.2. Ταχεία κατάψυξη

Αν σκοπεύετε να καταψύξετε μεγάλες ποσότητες νωπών τροφίμων, ρυθμίστε το κουμπί ελέγχου θερμοκρασίας (❄️) το πολύ 24 ώρες πριν τοποθετήσετε τα νωπά τρόφιμα στο χώρο ταχείας κατάψυξης.

Συνιστούμε θερμά να διατηρήσετε το κουμπί σε αυτή τη θέση τουλάχιστον 24 ώρες για να καταψύξετε τη μέγιστη ποσότητα νωπών τροφίμων που αναφέρεται ως ικανότητα κατάψυξης. Φροντίστε ιδιαίτερα να μην αναμειγνύετε κατεψυγμένα και νωπά τρόφιμα.

Θυμηθείτε να επαναφέρετε το περιστροφικό κουμπί ελέγχου θερμοκρασία πάλι στην προηγούμενη θέση του αφού έχουν καταψυχθεί τα τρόφιμα.

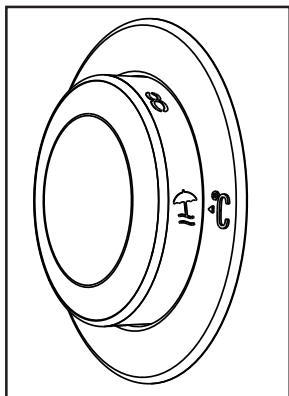


***προαιρετικός εξοπλισμός:** Οι εικόνες σε αυτές τις οδηγίες χρήσης είναι σχηματικές και μπορεί να μην ταιριάζουν ακριβώς στο προϊόν σας. Αν το προϊόν σας δεν περιλαμβάνει τα σχετικά εξαρτήματα, οι πληροφορίες αφορούν άλλα μοντέλα.

5.3. Λειτουργία διακοπών

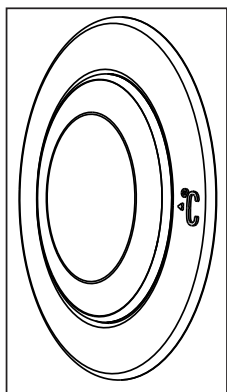
Αν οι πόρτες του προϊόντος δεν ανοιχτούν για 12 ώρες μετά την τοποθέτηση του περιστροφικού κουμπιού ελέγχου θερμοκρασίας στην πιο θερμή θέση, τότε η λειτουργία διακοπών θα ενεργοποιηθεί αυτόματα.

- Όταν ολοκληρωθεί η διαδικασία ρύθμισης, μπορείτε να πατήσετε το περιστροφικό κουμπί ελέγχου θερμοκρασίας και να το αποκρύψετε.



Για να ακυρώσετε αυτή τη λειτουργία, αλλάξτε τη ρύθμιση του περιστροφικού κουμπιού.

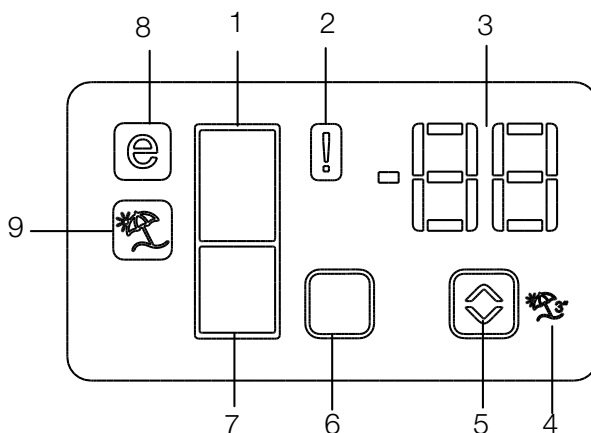
Δεν συνιστάται να αποθηκεύετε τρόφιμα στο θάλαμο συντήρησης όταν είναι ενεργή η λειτουργία διακοπών.



5.4. Πίνακας ενδείξεων

Οι πίνακες ενδείξεων μπορεί να διαφέρουν ανάλογα με το μοντέλο του προϊόντος.

Οι ηχητικές - οπτικές λειτουργίες στον πίνακα ενδείξεων σας βοηθούν στη χρήση του προϊόντος.



1. Ένδειξη θαλάμου Συντήρησης
2. Ένδειξη κατάστασης σφάλματος
3. Ένδειξη θερμοκρασίας
4. Κουμπί λειτουργίας διακοπών
5. Κουμπί ρύθμισης θερμοκρασίας
6. Κουμπί επιλογής θαλάμου
7. Ένδειξη θαλάμου Κατάψυξης
8. Ένδειξη λειτουργίας Οικονομίας
9. Ένδειξη λειτουργίας Διακοπών

*προαιρετικός εξοπλισμός



***προαιρετικός εξοπλισμός:** Οι εικόνες σε αυτές τις οδηγίες χρήσης είναι σχηματικές και μπορεί να μην ταιριάζουν ακριβώς στο προϊόν σας. Αν το προϊόν σας δεν περιλαμβάνει τα σχετικά εξαρτήματα, οι πληροφορίες αφορούν άλλα μοντέλα.

Χρήση του προϊόντος

1. Ένδειξη θαλάμου Συντήρησης

Η λυχνία του θαλάμου συντήρησης ανάβει ενώ ρυθμίζεται η θερμοκρασία του θαλάμου συντήρησης.

2. Ένδειξη κατάστασης σφάλματος

Αν η ψύξη του ψυγείου σας δεν είναι ικανοποιητική ή σε περίπτωση σφάλματος αισθητήρα, ενεργοποιείται αυτή η ένδειξη. Όταν ενεργοποιηθεί αυτή η ένδειξη, εμφανίζεται "E" στην ένδειξη θερμοκρασίας θαλάμου κατάψυξης και εμφανίζονται αριθμοί όπως "1,2,3..." στην ένδειξη θερμοκρασίας θαλάμου συντήρησης. Αυτοί οι αριθμοί στην ένδειξη πληροφορούν το προσωπικό σέρβις σχετικά με το σφάλμα.

3. Ένδειξη θερμοκρασίας

Δείχνει τη θερμοκρασία θαλάμου κατάψυξης, συντήρησης.

4. Κουμπί λειτουργίας διακοπών

Πατήστε 3 δευτερόλεπτα το κουμπί Διακοπών για να ενεργοποιήσετε αυτή τη λειτουργία. Όταν είναι ενεργή η λειτουργία διακοπών, εμφανίζεται "- -" στην ένδειξη θερμοκρασίας θαλάμου συντήρησης και δεν πραγματοποιείται ενεργή ψύξη στο θάλαμο συντήρησης. Δεν πρέπει να φυλάσσονται τρόφιμα μέσα στο θάλαμο συντήρησης όταν είναι ενεργοποιημένη αυτή η λειτουργία. Οι άλλοι θάλαμοι και διαμερίσματα θα συνεχίσουν να ψύχονται σύμφωνα με τη ρυθμισμένη θερμοκρασία τους.

Για να ακυρώσετε αυτή τη λειτουργία, πατήστε πάλι το κουμπί Διακοπών.

5. Κουμπί ρύθμισης θερμοκρασίας

Αλλάζει τη θερμοκρασία του αντίστοιχου θαλάμου μεταξύ -24°C ... -18°C και 8°C ... 1°C .

6. Κουμπί επιλογής θαλάμου

Κουμπί επιλογής: Πατήστε το κουμπί επιλογής θαλάμου για αλλαγή μεταξύ θαλάμου συντήρησης και κατάψυξης.

7. Ένδειξη θαλάμου Κατάψυξης

Η λυχνία του θαλάμου συντήρησης ανάβει ενώ ρυθμίζεται η θερμοκρασία του θαλάμου κατάψυξης.

8. Ένδειξη λειτουργίας οικονομίας

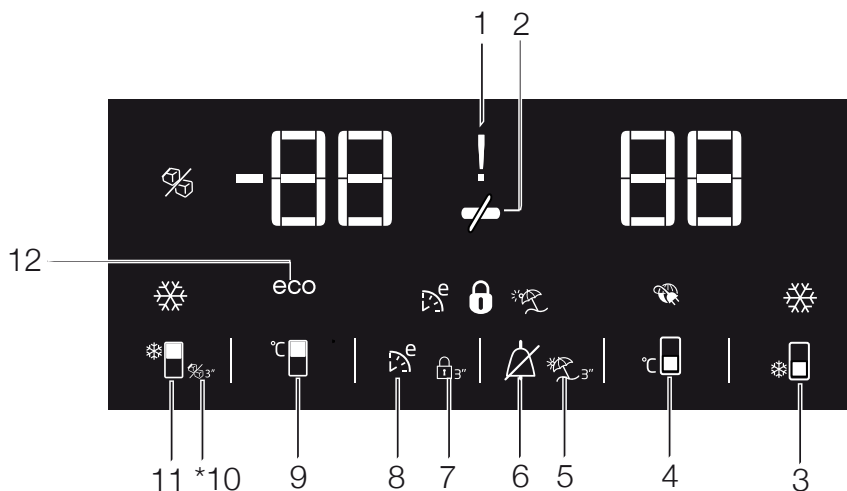
Δείχνει ότι το ψυγείο λειτουργεί σε λειτουργία εξοικονόμησης ενέργειας. Αυτή η ένδειξη θα πρέπει να ενεργοποιηθεί αν η θερμοκρασία θαλάμου κατάψυξης ρυθμιστεί στους -18°C .

9. Ένδειξη λειτουργίας Διακοπών

Δείχνει ότι έχει ενεργοποιηθεί η λειτουργία διακοπών.

5.5. Πίνακας ενδείξεων

Ο πίνακας ενδείξεων σας επιτρέπει να ρυθμίσετε τη θερμοκρασία και να ελέγχετε τις άλλες λειτουργίες του προϊόντος χωρίς να ανοίγετε την πόρτα του προϊόντος. Απλά πατήστε τις επιγραφές στα σχετικά κουμπιά για να ρυθμίσετε τις λειτουργίες.



1. Ένδειξη προειδοποίησης διακοπής ρεύματος / υψηλής θερμοκρασίας / σφάλματος

Αυτή η ένδειξη (⚡) ανάβει σε περιπτώσεις διακοπής ρεύματος, βλάβης με αύξηση της θερμοκρασίας και προειδοποιήσεων σφάλματος. Σε περίπτωση παρατεταμένων διακοπών ρεύματος, η μέγιστη θερμοκρασία στην οποία θα φθάσει ο θάλαμος κατάψυξης θα αναβοσβήνει στην ψηφιακή οθόνη. Αφού ελέγξετε τα τρόφιμα που βρίσκονται στο θάλαμο κατάψυξης (❄️) πιάστε το κουμπί απενεργοποίησης του συναγερμού για να απενεργοποιήσετε την ειδοποίηση.

2. Λειτουργία εξοικονόμησης ενέργειας (ενδείξεις ανενεργές):

Αν οι πόρτες της συσκευής διατηρηθούν κλειστές

για μεγάλο χρονικό διάστημα, ενεργοποιείται αυτόματα η λειτουργία εξοικονόμησης ενέργειας και ανάβει το σύμβολο εξοικονόμησης ενέργειας. (⚡)

Όταν ενεργοποιείται η λειτουργία εξοικονόμησης ενέργειας, σβήνουν όλα τα σύμβολα στην οθόνη εκτός από το σύμβολο εξοικονόμησης ενέργειας. Όταν είναι ενεργοποιημένη η λειτουργία Εξοικονόμησης ενέργειας, αν πατήσετε οποιοδήποτε κουμπί ή ανοίξετε την πόρτα, η λειτουργία εξοικονόμησης ενέργειας θα ακυρωθεί και τα σύμβολα στην οθόνη θα επιστρέψουν στο κανονικό.

Η λειτουργία εξοικονόμησης ενέργειας είναι ενεργοποιημένη από την παράδοση από το εργοστάσιο και δεν μπορεί να ακυρωθεί.



***προαιρετικός εξοπλισμός:** Οι εικόνες σε αυτές τις οδηγίες χρήσης είναι σχηματικές και μπορεί να μην ταιριάζουν ακριβώς στο προϊόν σας. Αν το προϊόν σας δεν περιλαμβάνει τα σχετικά εξαρτήματα, οι πληροφορίες αφορούν άλλα μοντέλα.

Χρήση του προϊόντος

3. Λειτουργία Ταχείας ψύξης

Το κουμπί έχει δύο λειτουργίες. Για να ενεργοποιήσετε ή να απενεργοποιήσετε τη λειτουργία ταχείας ψύξης, πατήστε το στιγμιαία. Η ένδειξη Ταχείας ψύξης θα σβήσει και το προϊόν θα επιστρέψει στις κανονικές ρυθμίσεις του. (●■)



Χρησιμοποιήστε τη λειτουργία Ταχείας ψύξης όταν θέλετε να ψύξετε γρήγορα τα τρόφιμα που τοποθετούνται στο θάλαμο συντήρησης. Αν θέλετε να ψύξετε μεγάλες ποσότητες νωπών τροφίμων, συνιστάται να ενεργοποιήσετε αυτή τη λειτουργία πριν τοποθετήσετε τα τρόφιμα στο προϊόν.



Αν δεν την ακυρώσετε, η Ταχεία ψύξη θα ακυρωθεί αυτόματα μετά από 8 ώρες ή όταν ο θάλαμος συντήρησης φθάσει στην απαιτούμενη θερμοκρασία.



Αν πιέσετε πάλι το κουμπί Ταχείας ψύξης μέσα σε μικρό χρονικό διάστημα, θα ενεργοποιηθεί το ηλεκτρονικό σύστημα προστασίας και ο συμπίεστής δεν θα ξεκινήσει τη λειτουργία του άμεσα.



Αυτή η λειτουργία δεν συνεχίζεται όταν αποκατασταθεί η τροφοδοσία μετά από διακοπή ρεύματος.

4. Κουμπί ρύθμισης θερμοκρασίας θαλάμου Συντήρησης

Πατήστε αυτό το κουμπί για να ρυθμίσετε τη θερμοκρασία του θαλάμου συντήρησης σε 8, 7, 6, 5, 4, 3, 2, 8... βαθμούς. Πατήστε αυτό το κουμπί για να ρυθμίσετε την επιθυμητή τιμή θερμοκρασίας του θαλάμου συντήρησης. (■□)

5. Λειτουργία Διακοπών

Για να ενεργοποιήσετε τη λειτουργία διακοπών, πιέστε αυτό το κουμπί (⏏) για 3 δευτερόλεπτα

και θα ενεργοποιηθεί η ένδειξη της λειτουργίας διακοπών (⏏). Όταν είναι ενεργή η λειτουργία διακοπών, εμφανίζεται "-" στην ένδειξη θερμοκρασίας θαλάμου συντήρησης και δεν πραγματοποιείται ενεργή ψύξη στο θάλαμο συντήρησης. Δεν πρέπει να φυλάσσονται τρόφιμα μέσα στο θάλαμο συντήρησης όταν είναι ενεργοποιημένη αυτή η λειτουργία. Οι άλλοι θάλαμοι και διαμερίσματα θα συνεχίσουν να ψύχονται σύμφωνα με τη ρυθμισμένη θερμοκρασία τους.

Για να ακυρώσετε αυτή τη λειτουργία πιέστε πάλι το κουμπί της **λειτουργίας Διακοπών**.

6. Απενεργοποίηση συναγερμού:

Σε περίπτωση συναγερμού διακοπής ρεύματος/ υψηλής θερμοκρασίας, αφού ελέγξετε τα τρόφιμα που βρίσκονται στο θάλαμο κατάψυξης (⚡) πιέστε το κουμπί απενεργοποίησης του συναγερμού για να απενεργοποιήσετε την ειδοποίηση.

7. Κλειδώμα πλήκτρων

Πατήστε το κουμπί κλειδώματος πλήκτρων (⏏) για 3 δευτερόλεπτα. Σύμβολο κλειδώματος πλήκτρων


Το σύμβολο (⏏) θα ανάψει και θα ενεργοποιηθεί η λειτουργία κλειδώματος πλήκτρων. Τα κουμπιά δεν θα λειτουργούν αν είναι ενεργή η λειτουργία κλειδώματος πλήκτρων. Πατήστε το κουμπί κλειδώματος πλήκτρων πάλι για 3 δευτερόλεπτα. Το σύμβολο κλειδώματος πλήκτρων θα απενεργοποιηθεί και θα ακυρωθεί η λειτουργία κλειδώματος πλήκτρων.

Πατήστε το κουμπί κλειδώματος πλήκτρων αν θέλετε να εμποδίσετε την αλλαγή της ρύθμισης θερμοκρασίας του ψυγείου (⏏).


8. Eco fuzzy

Για να ενεργοποιήσετε τη λειτουργία eco fuzzy, πατήστε το κουμπί eco fuzzy και κρατήστε το

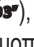
Χρήση του προϊόντος

πατημένο για 1 δευτερόλεπτο. Το ψυγείο θα αρχίσει να λειτουργεί με το πιο οικονομικό πρόγραμμα τουλάχιστον 6 ώρες αργότερα και η ένδειξη οικονομικής χρήσης θα ανάψει όταν η λειτουργία είναι ενεργή (). Για να απενεργοποιήσετε τη λειτουργία eco fuzzy, πατήστε το κουμπί eco fuzzy και κρατήστε το πατημένο για 3 δευτερόλεπτα. Αυτή η ένδειξη ανάβει μετά από 6 ώρες όταν ενεργοποιηθεί η λειτουργία eco fuzzy.

9. Κουμπί ρύθμισης θερμοκρασίας θαλάμου κατάψυξης

Πατήστε αυτό το κουμπί για να ρυθμίσετε τη θερμοκρασία του θαλάμου κατάψυξης σε -18,-19,-20,-21,-22,-23,-24,-18... βαθμούς. Πατήστε αυτό το κουμπί για να ρυθμίσετε την επιθυμητή τιμή θερμοκρασίας του θαλάμου κατάψυξης. ()


10. Ένδειξη απενεργοποιημένου Icematic

Δείχνει αν το Icematic είναι ενεργό ή όχι. Αν είναι αναμμένη η ένδειξη (), το Icematic δεν λειτουργεί. Για να χρησιμοποιήσετε πάλι το Icematic, πατήστε και κρατήστε πατημένο για 3 δευτερόλεπτα το κουμπί ενεργοποίησης-απενεργοποίησης.



Η ροή νερού από το δοχείο νερού θα σταματήσει όταν επιλεγεί αυτή η λειτουργία. Ωστόσο, μπορείτε να πάρετε από το Icematic τον πάγο που έχει ήδη παραχθεί.

11. Κουμπί λειτουργίας Ταχείας κατάψυξης/ Κουμπί ενεργοποίησης- απενεργοποίησης Icematic

Πατήστε αυτό το κουμπί για να ενεργοποιήσετε ή να απενεργοποιήσετε τη λειτουργία ταχείας κατάψυξης. Όταν ενεργοποιήσετε τη λειτουργία, ο θάλαμος κατάψυξης θα ψυχθεί σε θερμοκρασία χαμηλότερη από τη ρυθμισμένη τιμή. ()
Για να ενεργοποιήσετε και να απενεργοποιήσετε το Icematic, πατήστε το και κρατήστε το για 3 δευτερόλεπτα.



Χρησιμοποιήστε τη λειτουργία Ταχείας κατάψυξης όταν θέλετε να καταψύξετε γρήγορα τα τρόφιμα που τοποθετούνται στο θάλαμο κατάψυξης. Αν θέλετε να καταψύξετε μεγάλες ποσότητες νωπών τροφίμων, συνιστάται να ενεργοποιήσετε αυτή τη λειτουργία πριν τοποθετήσετε τα τρόφιμα στο προϊόν.




Αν δεν την ακυρώσετε, η Ταχεία κατάψυξη θα ακυρωθεί αυτόματα μετά από 4 ώρες ή όταν ο θάλαμος συντήρησης φθάσει στην απαιτούμενη θερμοκρασία.



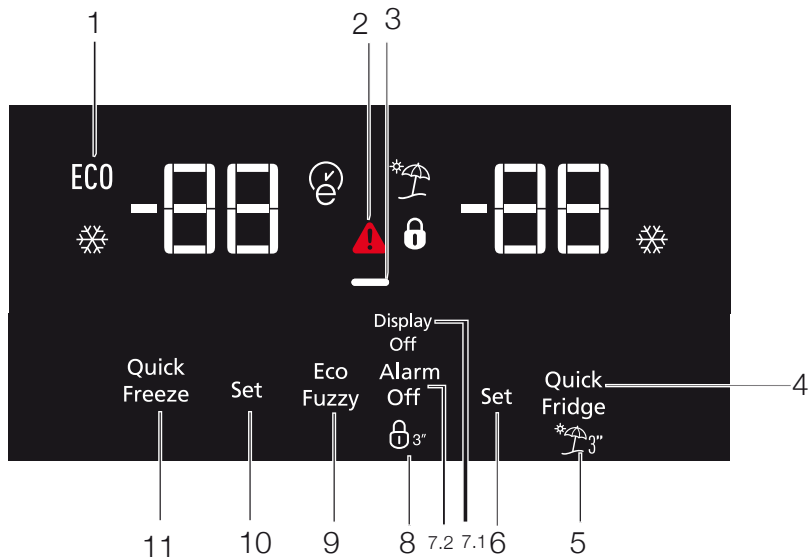
Αυτή η λειτουργία δεν συνεχίζεται όταν αποκατασταθεί η τροφοδοσία μετά από διακοπή ρεύματος.

12. Ένδειξη Οικονομικής χρήσης

Δείχνει ότι το προϊόν λειτουργεί σε ενεργειακά αποδοτική λειτουργία. () Αυτή η ένδειξη θα είναι ενεργή αν η θερμοκρασία στο θάλαμο κατάψυξης έχει ρυθμιστεί στους -18 βαθμούς ή αν λαμβάνει χώρα ενεργειακά αποδοτική ψύξη λόγω της λειτουργίας Eco-Extra.



Η ένδειξη οικονομικής χρήσης θα απενεργοποιηθεί όταν επιλεγεί η λειτουργία ταχείας ψύξης ή ταχείας κατάψυξης.



1. Οικονομία

Το σύμβολο αυτό ανάβει όταν ο θάλαμος κατάψυξης έχει ρυθμιστεί στους -18°C , την πιο οικονομική τιμή ρύθμισης (ECO). Η ένδειξη οικονομίας θα απενεργοποιηθεί όταν επιλεγεί η λειτουργία ταχείας ψύξης ή ταχείας κατάψυξης.

2. Ένδειξη προειδοποίησης υψηλής θερμοκρασίας / σφάλματος

Αυτή η ένδειξη (⚠) ανάβει σε περιπτώσεις βλάβης με αύξηση της θερμοκρασίας ή σε περιπτώσεις προειδοποιήσεων σφάλματος.

3. Ταχεία ψύξη

Η ένδειξη Ταχείας ψύξης (❄) ανάβει όταν ενεργοποιείται η λειτουργία ταχείας ψύξης και η ένδειξη θερμοκρασίας του θαλάμου συντήρησης

εμφανίζεται ως 1. Για να ακυρώσετε αυτή τη λειτουργία, πατήστε πάλι το κουμπί Ταχείας ψύξης. Η ένδειξη Ταχείας ψύξης θα σβήσει και το ψυγείο θα επανέλθει στις κανονικές ρυθμίσεις του. Η λειτουργία Ταχείας ψύξης ακυρώνεται αυτόματα σε 1 ώρα αν δεν την ακυρώσετε νωρίτερα. Αν θέλετε να ψύξετε μεγάλες ποσότητες νωπών τροφίμων, πιέστε το κουμπί Ταχείας ψύξης πριν τοποθετήσετε τα τρόφιμα στο θάλαμο συντήρησης.

4. Λειτουργία διακοπών

Για να ενεργοποιήσετε τη λειτουργία διακοπών, πιέστε το κουμπί αρ. (4) (⏸) για 3 δευτερόλεπτα και θα ενεργοποιηθεί η ένδειξη




***προαιρετικός εξοπλισμός:** Οι εικόνες σε αυτές τις οδηγίες χρήσης είναι σχηματικές και μπορεί να μην ταιριάζουν ακριβώς στο προϊόν σας. Αν το προϊόν σας δεν περιλαμβάνει τα σχετικά εξαρτήματα, οι πληροφορίες αφορούν άλλα μοντέλα.

Χρήση του προϊόντος

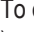
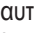

της λειτουργίας διακοπών. Όταν είναι ενεργή η λειτουργία διακοπών, εμφανίζεται "- -" στην ένδειξη θερμοκρασίας θαλάμου συντήρησης και δεν πραγματοποιείται ενεργή ψύξη στο θάλαμο συντήρησης. Δεν πρέπει να φυλάσσονται τρόφιμα μέσα στο θάλαμο συντήρησης όταν είναι ενεργοποιημένη αυτή η λειτουργία. Οι άλλοι θάλαμοι και διαμερίσματα θα συνεχίσουν να ψύχονται σύμφωνα με τη ρυθμισμένη θερμοκρασίας τους.

Για να ακυρώσετε αυτή τη λειτουργία πιάστε πάλι το κουμπί της **λειτουργίας Διακοπών**.


5. Ρύθμιση θερμοκρασίας θαλάμου συντήρησης


Όταν πατηθεί το κουμπί αρ. (5), μπορείτε να ρυθμίσετε τη θερμοκρασία του θαλάμου συντήρησης σε 8,7,6,5,4,3,2 και 1 αντίστοιχα ().


6. Λειτουργία εξοικονόμησης ενέργειας (ενδείξεις ανενεργές):

Το σύμβολο εξοικονόμησης ενέργειας () ανάβει και η λειτουργία εξοικονόμησης ενέργειας ενεργοποιείται όταν πατήσετε αυτό το κουμπί (). Όταν ενεργοποιείται η λειτουργία εξοικονόμησης ενέργειας, σβήνουν όλα τα σύμβολα στην οθόνη εκτός από το σύμβολο εξοικονόμησης ενέργειας. Όταν είναι ενεργοποιημένη η λειτουργία Εξοικονόμησης ενέργειας, αν πατήσετε οποιοδήποτε κουμπί ή ανοίξετε την πόρτα, η λειτουργία εξοικονόμησης ενέργειας θα ακυρωθεί και τα σύμβολα στην οθόνη θα επιστρέψουν στο κανονικό. Το σύμβολο εξοικονόμησης ενέργειας σβήνει και η λειτουργία εξοικονόμησης ενέργειας απενεργοποιείται όταν πατήσετε πάλι αυτό το κουμπί ().


7. Κλειδωμα πλήκτρων

Πατήστε το κουμπί κλειδώματος πλήκτρων () για 3 δευτερόλεπτα. Σύμβολο κλειδώματος πλήκτρων

Το σύμβολο () θα ανάψει και θα ενεργοποιηθεί η λειτουργία κλειδώματος πλήκτρων. Τα κουμπιά δεν θα λειτουργούν αν είναι ενεργή η λειτουργία κλειδώματος πλήκτρων. Πατήστε το κουμπί κλειδώματος πλήκτρων πάλι για 3 δευτερόλεπτα. Το σύμβολο κλειδώματος πλήκτρων θα απενεργοποιηθεί και θα ακυρωθεί η λειτουργία κλειδώματος πλήκτρων.

Πατήστε το κουμπί κλειδώματος πλήκτρων αν θέλετε να εμποδίσετε την αλλαγή της ρύθμισης θερμοκρασίας του ψυγείου ().

8. Eco fuzzy


Για να ενεργοποιήσετε τη λειτουργία eco fuzzy, πατήστε το κουμπί eco fuzzy και κρατήστε το πατημένο για 1 δευτερόλεπτο. Το ψυγείο θα αρχίσει να λειτουργεί με το πιο οικονομικό πρόγραμμα τουλάχιστον 6 ώρες αργότερα και η ένδειξη οικονομικής χρήσης θα ανάψει όταν η λειτουργία είναι ενεργή (). Για να απενεργοποιήσετε τη λειτουργία eco fuzzy, πατήστε το κουμπί eco fuzzy και κρατήστε το πατημένο για 3 δευτερόλεπτα.

Αυτή η ένδειξη ανάβει μετά από 6 ώρες όταν ενεργοποιηθεί η λειτουργία eco fuzzy.

9. Ρύθμιση θερμοκρασίας θαλάμου κατάψυξης

Εδώ πραγματοποιείται η ρύθμιση της θερμοκρασίας για το θάλαμο κατάψυξης. Όταν πατηθεί το κουμπί αρ. 9, μπορείτε να ρυθμίσετε τη θερμοκρασία του θαλάμου κατάψυξης σε -18, -19, -20, -21, -22, -23 και -24 αντίστοιχα.

10. Ταχεία κατάψυξη

Πατήστε το κουμπί αρ. (10) για τη λειτουργία ταχείας κατάψυξης, και η ένδειξη ταχείας κατάψυξης () θα ενεργοποιηθεί.

Η ένδειξη Ταχείας κατάψυξης ανάβει όταν ενεργοποιείται η λειτουργία ταχείας κατάψυξης και η ένδειξη θερμοκρασίας του θαλάμου κατάψυξης εμφανίζεται ως -27. Για να

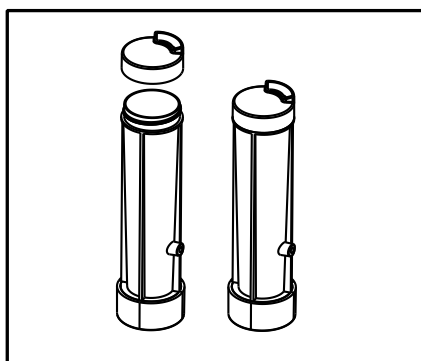
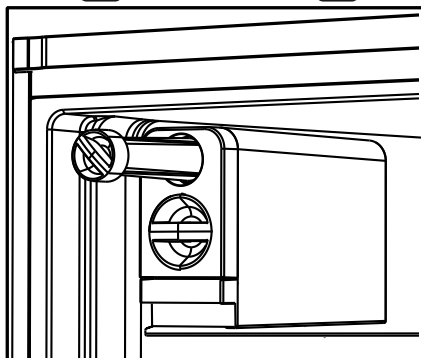
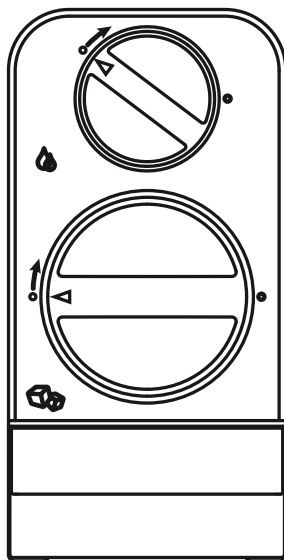
Χρήση του προϊόντος

ακυρώστε αυτή τη λειτουργία, πατήστε πάλι το κουμπί Ταχείας κατάψυξης (❄️). Η ένδειξη Ταχείας κατάψυξης θα σβήσει και το ψυγείο θα επιστρέψει στις κανονικές ρυθμίσεις του. Η λειτουργία Ταχείας κατάψυξης ακυρώνεται αυτόματα σε 24 ώρες αν δεν την ακυρώσετε νωρίτερα. Αν θέλετε να καταψύξετε μεγάλες ποσότητες νωπών τροφίμων, πιάστε το κουμπί ταχείας κατάψυξης πριν τοποθετήσετε τα τρόφιμα στο θάλαμο κατάψυξης.

5.7. Twist Icematic

(Αυτή η λειτουργία είναι προαιρετική)

- Αφαιρέστε το δοχείο νερού περιστρέφοντάς το προς τα αριστερά.
- Ανοίξτε το κάλυμμα του δοχείου νερού περιστρέφοντάς το και προσθέστε νερό στο δοχείο ως το κάτω μέρος του καλύμματος του δοχείου.
- Τοποθετήστε το δοχείο νερού στη θέση του όπως δείχνει η εικόνα μετά την προσθήκη νερού και στερεώστε το περιστρέφοντάς το στην κατεύθυνση του βέλους. Το νερό θα ρέει προς τα κάτω προς το δοχείο πάγου.
- Όταν έχει σχηματιστεί πάγος, περιστρέψτε τη λαβή του δοχείου πάγου προς την κατεύθυνση του βέλους για να επιτρέψετε να πέσει πάγος μέσα στο συρτάρι πάγου.
- Μπορείτε να πάρετε παγοκύβους τραβώντας έξω το συρτάρι πάγου.
- Τραβήξτε την πρόσοψη προς το μέρος σας για να πλύνετε το δοχείο πάγου. Κατόπιν τοποθετήστε το πάνω στους ολισθητήρες στο εσωτερικό και σπρώξτε το στη θέση του για να το επανατοποθετήσετε.
- Τραβήξτε τη μονάδα twist icematic προς το μέρος σας για να αφαιρέσετε τη μονάδα και τοποθετήστε την πάνω στους ολισθητήρες στο πάνω μέρος και σπρώξτε τη στη θέση της για να την επανατοποθετήσετε.



5.8. Παγοθήκη

- Αφαιρέστε την παγοθήκη από το θάλαμο κατάψυξης.
- Γεμίστε την παγοθήκη με νερό.
- Τοποθετήστε την παγοθήκη στο θάλαμο κατάψυξης. Δύο ώρες αργότερα, ο πάγος είναι έτοιμος.
- Αφαιρέστε την παγοθήκη από το θάλαμο κατάψυξης και λυγίστε τη πάνω από το πιάτο σερβιρίσματος. Τα παγάκια θα πέσουν εύκολα πάνω στο πιάτο σερβιρίσματος.

5.9. Αυγοθήκη

Μπορείτε να τοποθετήσετε την αυγοθήκη στο επιθυμητό ράφι πόρτας ή κυρίως ράφι. Αν το τοποθετήσετε σε κυρίως ράφι, συνιστώνται τα κάτω, πιο κρύα ράφια.

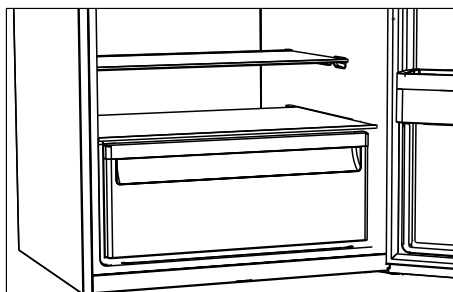
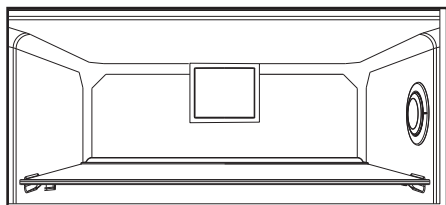


Μην τοποθετείτε ποτέ την αυγοθήκη στο θάλαμο κατάψυξης.

5.10. Ανεμιστήρας

Ο ανεμιστήρας έχει σχεδιαστεί για να διασφαλίζει ομοιογενή κατανομή και κυκλοφορία του αέρα στο εσωτερικό του ψυγείου σας. Ο χρόνος λειτουργίας του ανεμιστήρα μπορεί να διαφέρει ανάλογα με τα χαρακτηριστικά του προϊόντος σας.

Ενώ σε ορισμένα προϊόντα ο ανεμιστήρας λειτουργεί μόνο μαζί με το συμπιεστή, σε ορισμένα πάλι προϊόντα το σύστημα ελέγχου καθορίζει το χρόνο λειτουργίας του ανεμιστήρα σύμφωνα με τις απαιτήσεις ψύξης.



5.11. Συρτάρι λαχανικών

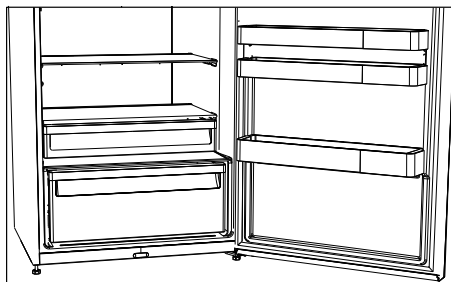
Το συρτάρι λαχανικών του προϊόντος έχει σχεδιαστεί ειδικά για να διατηρεί τα λαχανικά φρέσκα χωρίς να χάνουν την υγρασία τους. Για το σκοπό αυτό, η κυκλοφορία κρύου αέρα είναι πιο έντονη γύρω από το συρτάρι λαχανικών γενικά.

5.12. Διαμέρισμα έντονης ψύξης

(Αυτή η λειτουργία είναι προαιρετική)

Χρησιμοποιήστε αυτό το διαμέρισμα για φύλαξη προϊόντων ντελικατέσεν που πρέπει να αποθηκεύονται σε χαμηλότερες θερμοκρασίες ή προϊόντα κρέατος που πρέπει να καταναλώσετε σύντομα.

Το διαμέρισμα έντονης ψύξης είναι η πιο κρύα θέση στη συντήρηση, όπου μπορείτε να φυλάσσετε γαλακτοκομικά, κρέας, ψάρια και πουλερικά σε ιδανικές συνθήκες. Δεν πρέπει να αποθηκεύετε φρούτα και λαχανικά σε αυτό το διαμέρισμα.



5.13. Κινητό ράφι πόρτας

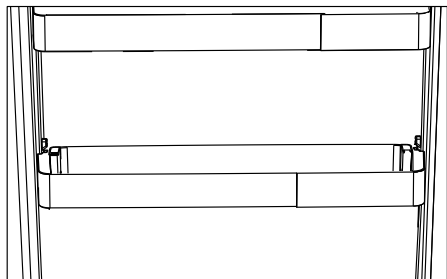
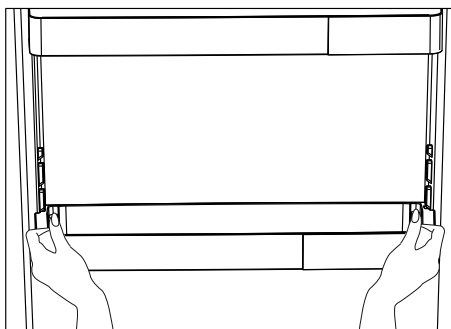
(Αυτή η λειτουργία είναι προαιρετική)

Το κινητό ράφι πόρτας μπορεί να σταθεροποιηθεί σε 3 διαφορετικές θέσεις.

Πατήστε τα κουμπιά που φαίνονται στα πλαϊνά στον ίδιο βαθμό για να κινησετε το ράφι. Το ράφι θα πρέπει να μπορεί να κινηθεί.

Κινήστε το ράφι προς τα πάνω ή κάτω.

Ελευθερώστε τα κουμπιά όταν το ράφι είναι στην επιθυμητή θέση. Το ράφι θα πρέπει να σταθεροποιηθεί στη θέση όπου ελευθερώσατε τα κουμπιά.

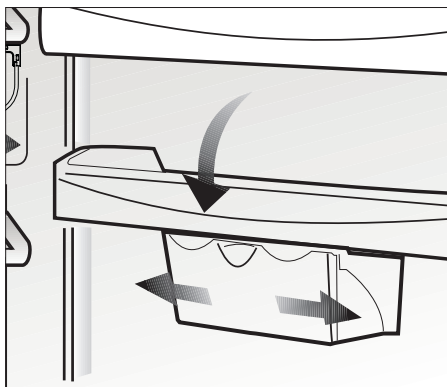


5.14. Συρόμενο δοχείο αποθήκευσης

(Αυτή η λειτουργία είναι προαιρετική)

Αυτό το αξεσουάρ έχει σχεδιαστεί για να αυξάνει τον ωφέλιμο όγκο των ραφιών πόρτας.

Σας επιτρέπει να τοποθετήσετε εύκολα τα ψηλά μπουκάλια, βάζα και μεταλλικά κουτιά στο κάτω ράφι μπουκαλιών χάρη στη δυνατότητά του να μετακινείται δεξιά ή αριστερά.



5.15. Μπλε φως

(Αυτή η λειτουργία είναι προαιρετική)

Αυτό το αξεσουάρ έχει σχεδιαστεί για να αυξάνει τον ωφέλιμο όγκο των ραφιών πόρτας.

Σας επιτρέπει να τοποθετήσετε εύκολα τα ψηλά μπουκάλια, βάζα και μεταλλικά κουτιά στο κάτω ράφι μπουκαλιών χάρη στη δυνατότητά του να μετακινείται δεξιά ή αριστερά.

5.16. Συρτάρι λαχανικών ελεγχόμενης υγρασίας

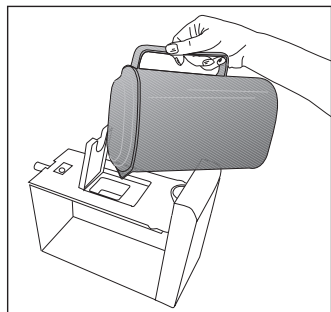
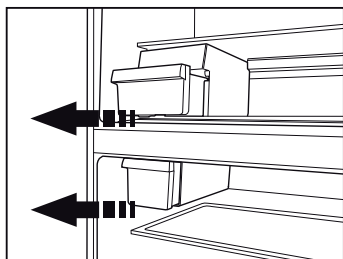
(FreSHelf)

(Αυτή η λειτουργία είναι προαιρετική)

Η περιεκτικότητα σε υγρασία των λαχανικών και των φρούτων διατηρείται υπό έλεγχο με τη δυνατότητα του συρταριού λαχανικών ρυθμιζόμενης υγρασίας. Έτσι διασφαλίζεται ότι τα τρόφιμα διατηρούνται φρέσκα για περισσότερο χρόνο.

Συνιστούμε να τοποθετείτε τα φυλλώδη λαχανικά όπως το μαρούλι, το σπανάκι καθώς και τα λαχανικά που είναι ευαίσθητα στην απώλεια υγρασίας, σε όσο το δυνατόν οριζόντια θέση μέσα στο συρτάρι λαχανικών και όχι πάνω στις ρίζες τους σε κάθετη θέση.

Όταν τοποθετείτε τα λαχανικά, θα πρέπει να λαμβάνετε υπόψη το ειδικό βάρος τους. Τα βαριά και σκληρά λαχανικά πρέπει να τοποθετούνται στο κάτω μέρος του συρταριού λαχανικών και τα ελαφριά και μαλακά λαχανικά πρέπει να τοποθετούνται από πάνω τους.



Ποτέ μην αφήνετε τα λαχανικά μέσα στις σακούλες τους όταν τα τοποθετείτε στο συρτάρι λαχανικών. Αν αφήσετε τα λαχανικά μέσα στις σακούλες τους, αυτό θα τα κάνει να αποσυντεθούν σε μικρό χρονικό διάστημα. Σε περίπτωση που η επαφή με άλλα λαχανικά δεν είναι επιθυμητή για λόγους υγιεινής, χρησιμοποιήστε ένα διάτρητο χαρτί και άλλα παρόμοια υλικά συσκευασίας, εκτός από σακούλα.

Μην τοποθετείτε αχλάδι, βερίκοκο, ροδάκινο κλπ. και μήλα, ειδικά όταν έχουν υψηλά επίπεδα παραγωγής αιθυλενίου, στο ίδιο συρτάρι λαχανικών με άλλα λαχανικά και φρούτα. Το αιθυλένιο που εκπέμπεται από αυτά τα φρούτα μπορεί να επιταχύνει την ωρίμανση των άλλων φρούτων και να τα κάνει να αποσυντεθούν σε μικρότερο χρονικό διάστημα.

5.17. Αυτόματο Icematic

(Αυτή η λειτουργία είναι προαιρετική)

Το Αυτόματο Icematic σας επιτρέπει να παρασκευάσετε εύκολα πάγο στο ψυγείο σας. Αφαιρέστε το δοχείο νερού από το θάλαμο συντήρησης, γεμίστε το με νερό και τοποθετήστε το πάλι στη θέση του για να αποκτήσετε πάγο από το Icematic.

Τα πρώτα παγάκια θα είναι έτοιμα περίπου σε 2 ώρες στο συρτάρι του Icematic που βρίσκεται στο θάλαμο κατάψυξης.

Αν γεμίσετε πλήρως το δοχείο νερού, θα μπορείτε να αποκτήσετε περίπου 60-70 παγάκια. Αλλάξτε το νερό στο δοχείο νερού αν έχει παραμείνει αχρησιμοποίητο περίπου 2-3 εβδομάδες.



Για τα προϊόντα που έχουν αυτόματο Icematic, μπορεί να ακούγεται ήχος κατά την πώση του πάγου. Ο ήχος είναι κανονικός και δεν είναι ένδειξη βλάβης.

5.18. Περιγραφή και καθαρισμός του φίλτρου οσμών

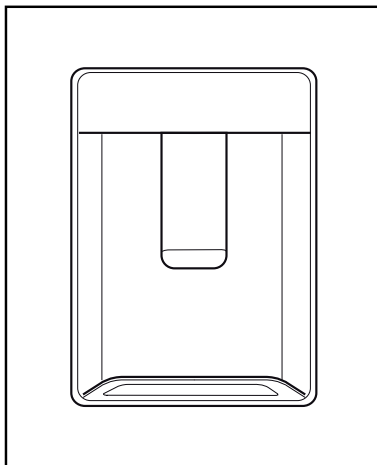
(Αυτή η λειτουργία είναι προαιρετική)

Το φίλτρο οσμών εμποδίζει το σχηματισμό δυσάρεστων οσμών μέσα στο προϊόν.

1. Τραβήξτε το κάλυμμα του φίλτρου οσμών προς τα κάτω από το μπροστινό τμήμα και αφαιρέστε το όπως δείχνει η εικόνα.
2. Αφήστε το φίλτρο στον ήλιο για μία ημέρα. Σε αυτό το χρονικό διάστημα το φίλτρο θα καθαριστεί.
3. Τοποθετήστε το φίλτρο πάλι πίσω στη θέση του.



Το φίλτρο οσμών πρέπει να καθαρίζεται μία φορά το χρόνο.



Παρακαλούμε να έχετε υπόψη σας, ότι η ροή του νερού από το διανομέα εξαρτάται από το πόσο πολύ πιέζετε το μοχλό. Καθώς αυξάνεται η στάθμη του νερού στο κύπελλο/ ποτήρι σας, μειώστε απαλά την πίεση στο μοχλό για να αποφύγετε υπερχειλίση. Αν πιέσετε ελαφρά το βραχίονα, το νερό θα στάξει. Αυτό είναι πολύ φυσιολογικό και όχι σύμπτωμα βλάβης.

5.19. Χρήση του διανομέα νερού

*προαιρετικός εξοπλισμός



Είναι φυσιολογικό να είναι ζεστά τα πρώτα λίγα ποτήρια νερού που παίρνετε από το διανομέα.



Αν ο διανομέας νερού δεν χρησιμοποιηθεί για πολύ χρόνο, πετάξτε τα πρώτα λίγα ποτήρια νερού για να έχετε φρέσκο νερό.

1. Σπρώξτε με το ποτήρι σας το μοχλό του διανομέα νερού προς τα μέσα. Αν χρησιμοποιείτε μαλακό πλαστικό ποτήρι, θα είναι προτιμότερο να σπρώξετε το μοχλό με το χέρι σας.
2. Αφού γεμίσετε το ποτήρι ως τη στάθμη που θέλετε, ελευθερώστε το μοχλό.

5.20. Χρήση του διανομέα νερού

*προαιρετικός εξοπλισμός



Είναι φυσιολογικό να είναι ζεστά τα πρώτα λίγα ποτήρια νερού που παίρνετε από το διανομέα.



Αν ο διανομέας νερού δεν χρησιμοποιηθεί για πολύ χρόνο, πετάξτε τα πρώτα λίγα ποτήρια νερού για να έχετε φρέσκο νερό.

1. Σπρώξτε με το ποτήρι σας το μοχλό του διανομέα νερού προς τα μέσα. Αν χρησιμοποιείτε μαλακό πλαστικό ποτήρι, θα είναι προτιμότερο να σπρώξετε το μοχλό με το χέρι σας.
2. Αφού γεμίσετε το ποτήρι ως τη στάθμη που θέλετε, ελευθερώστε το μοχλό.

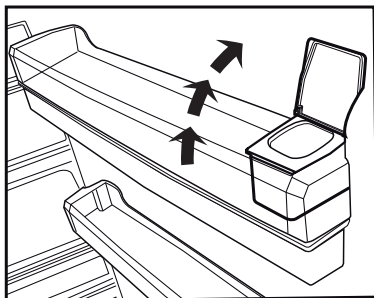
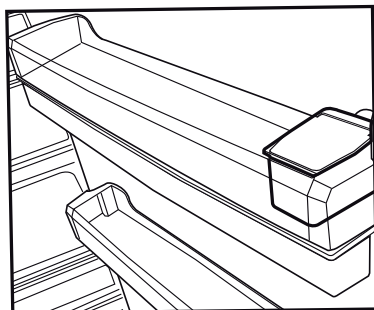


Παρακαλούμε να έχετε υπόψη σας, ότι η ροή του νερού από το διανομέα εξαρτάται από το πόσο πολύ πιέζετε το μοχλό. Καθώς αυξάνεται η στάθμη του νερού στο κύπελλο/ ποτήρι σας, μειώστε απαλά την πίεση στο μοχλό για να αποφύγετε υπερχειλίση. Αν πιέσετε ελαφρά το βραχίονα, το νερό θα στάξει. Αυτό είναι πολύ φυσιολογικό και όχι σύμπτωμα βλάβης.

5.21. Γέμισμα του δοχείου του διανομέα νερού

Το ρεζερβουάρ πλήρωσης του δοχείου νερού βρίσκεται μέσα στην υποδοχή της πόρτας.

1. Ανοίξτε το κάλυμμα του δοχείου.
2. Γεμίστε το δοχείο με φρέσκο πόσιμο νερό.
3. Κλείστε το κάλυμμα.



Μη γεμίσετε το δοχείο νερού με οποιοδήποτε άλλο υγρό εκτός από νερό. Οι χυμοί φρούτων, τα ανθρακούχα αναψυκτικά ή οινοπνευματώδη ποτά, κλπ. δεν είναι κατάλληλα για χρήση στο διανομέα νερού. Ο διανομέας νερού θα υποστεί ανεπανόρθωτη ζημιά αν χρησιμοποιηθούν αυτά τα είδη υγρών. Η εγγύηση δεν καλύπτει χρήσεις αυτού του είδους. Ορισμένες χημικές ουσίες και πρόσθετα που περιέχονται σε αυτά τα είδη ποτών/υγρών μπορεί να προξενήσουν ζημιά στο δοχείο νερού.



Να χρησιμοποιείτε μόνο καθαρό πόσιμο νερό.



Η χωρητικότητα του δοχείου νερού είναι 3 λίτρα. Μη γεμίζετε το δοχείο υπερβολικά.

5.22. Καθαρισμός του δοχείου νερού

1. Αφαιρέστε το ρεζερβουάρ προσθήκης νερού από μέσα από την υποδοχή πόρτας.
2. Αφαιρέστε την υποδοχή πόρτας κρατώντας την και από τις δύο πλευρές.
3. Πιάστε το δοχείο νερού και από τις δύο πλευρές και αφαιρέστε το υπό γωνία 45°C.
4. Αφαιρέστε το κάλυμμα του δοχείου νερού και καθαρίστε το δοχείο.



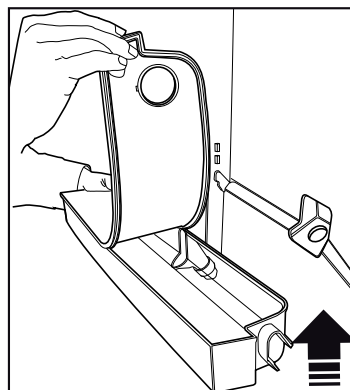
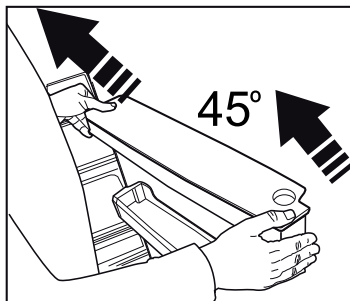
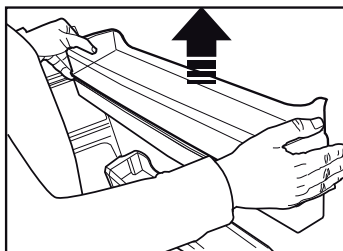
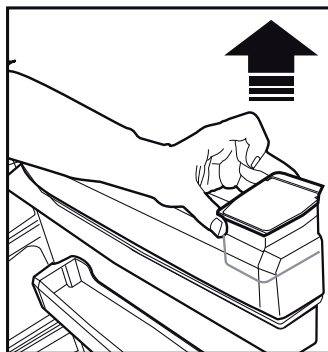
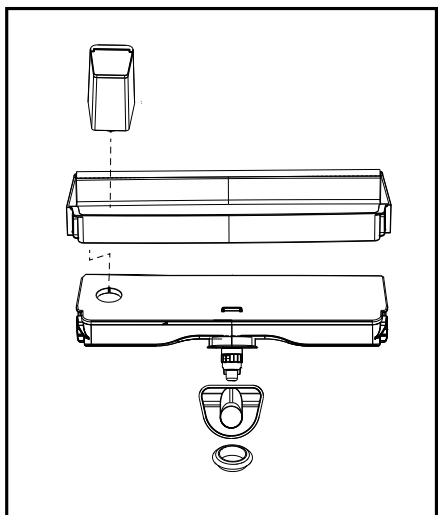
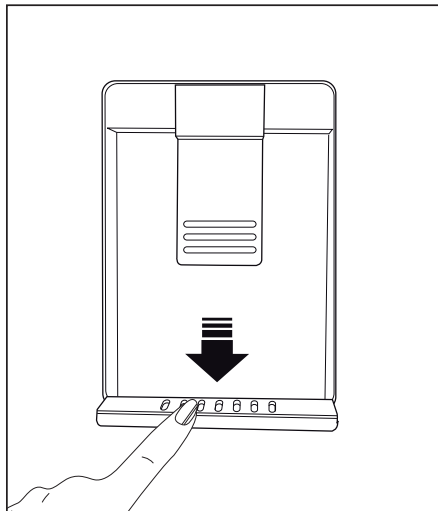
Τα μέρη του δοχείου νερού και του διανομέα νερού δεν πρέπει να πλένονται σε πλυντήριο πιάτων.

Χρήση του προϊόντος

5.23. Δίσκος συλλογής σταγόνων

Σταγόνες νερού που τυχόν στάζουν ενώ χρησιμοποιείτε το διανομέα νερού συγκεντρώνονται στο δίσκο συλλογής σταγόνων. Αφαιρέστε το πλαστικό φίλτρο όπως δείχνει η εικόνα.

Με ένα καθαρό και στεγνό πανί, αφαιρέστε το νερό που έχει συσσωρευτεί.



Τμήματα μυρωδικών - HerbBox/ HerbFresh

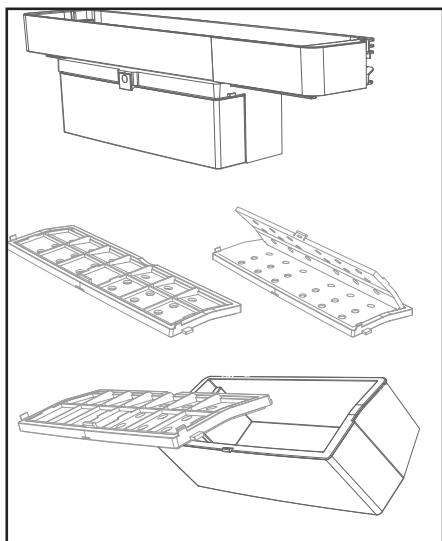
Αφαιρέστε τον περιέκτη της μεμβράνης από το τμήμα HerbBox/HerbFresh+

Αφαιρέστε τη μεμβράνη από τη σακούλα και τοποθετήστε την μέσα στην υποδοχή μεμβράνης όπως δείχνει η εικόνα.

Σφραγίστε πάλι την υποδοχή και τοποθετήστε την μέσα στο τμήμα HerbBox/HerbFresh+.

Τα τμήματα HerbBox-HerbFresh+ είναι ιδιαίτερα κατάλληλα για την αποθήκευση διάφορων μυρωδικών που πρέπει να διατηρούνται σε προστατευμένες συνθήκες. Μπορείτε σε αυτό το τμήμα να αποθηκεύσετε τα μη συσκευασμένα μυρωδικά σας (μαϊντανό, άνηθο κλπ.) σε οριζόντια θέση και να τα διατηρήσετε φρέσκα για πολύ περισσότερο χρόνο.

Η μεμβράνη πρέπει να αντικαθίσταται κάθε έξι μήνες.



5.24. Κατάψυξη νωπών τροφίμων

- Για να διατηρηθεί η ποιότητα των τροφίμων, τα είδη που τοποθετούνται μέσα στο θάλαμο συντήρησης πρέπει να καταψύχονται όσο το δυνατόν πιο γρήγορα, χρησιμοποιείτε τη λειτουργία ταχείας κατάψυξης.
- Η κατάψυξη των τροφίμων όταν είναι φρέσκα θα επεκτείνει το χρόνο φύλαξης στο θάλαμο κατάψυξης.
- Συσκευάζετε τα τρόφιμα σε αεροστεγείς συσκευασίες και καλά σφραγισμένα.
- Να βεβαιώνετε ότι τα τρόφιμα έχουν συσκευαστεί πριν τοποθετηθούν μέσα στην κατάψυξη. Να χρησιμοποιείτε δοχεία για κατάψυξη, αλουμινόχαρτο και χαρτί μη διαπερατό στην υγρασία, πλαστικές σακούλες ή παρόμοια υλικά συσκευασίας αντί για το παραδοσιακό χαρτί συσκευασίας.
- Αναγράψτε σε κάθε συσκευασία τροφίμων την ημερομηνία πριν την καταψύξετε. Έτσι θα μπορείτε εύκολα να διαπιστώσετε τη φρεσκάδα κάθε πακέτου, κάθε φορά που ανοίγετε την κατάψυξη. Διατηρείτε τα πιο παλιά είδη στο μπροστινό μέρος για να βεβαιωθείτε ότι θα χρησιμοποιηθούν πρώτα.
- Τα κατεψυγμένα τρόφιμα πρέπει να χρησιμοποιούνται αμέσως μετά την απόψυξη και δεν θα πρέπει να καταψύχονται πάλι.
- Μην καταψύχετε μεγάλες ποσότητες τροφίμων ταυτόχρονα.

5.25. Υποδείξεις για τη φύλαξη κατεψυγμένων τροφίμων

Η θερμοκρασία στο θάλαμο πρέπει να ρυθμιστεί σε τουλάχιστον -18°C .

1. Τοποθετήστε τα τρόφιμα στον καταψύκτη όσο το δυνατόν γρηγορότερα, για να αποφευχθεί η απόψυξη.
2. Πριν τα τοποθετήσετε στην κατάψυξη, ελέγξτε την “Ημερομηνία Λήξης” που αναγράφεται στη συσκευασία για να βεβαιωθείτε ότι δεν έχουν λήξει.
3. Βεβαιωθείτε ότι δεν υπάρχουν ζημιές στη συσκευασία των τροφίμων.

5.26. Λεπτομέρειες για τη βαθιά κατάψυξη

Σύμφωνα με τα πρότυπα IEC 62552, ο θάλαμος κατάψυξης πρέπει να έχει τουλάχιστον τη δυναμικότητα κατάψυξης 4,5 κιλών τροφίμων στους -18°C ή χαμηλότερες θερμοκρασίες σε 24 ώρες για κάθε 100 λίτρα όγκου του θαλάμου κατάψυξης. Τα τρόφιμα μπορούν να διατηρηθούν για παρατεταμένες περιόδους μόνο σε θερμοκρασίες -18°C ή χαμηλότερες. Μπορείτε να διατηρήσετε τα τρόφιμα φρέσκα για μήνες (στη βαθιά κατάψυξη σε ή κάτω από θερμοκρασίες -18°C).

Τα προς κατάψυξη τρόφιμα δεν πρέπει να έρχονται σε επαφή με τα ήδη καταψυγμένα τρόφιμα, για την αποφυγή μερικής απόψυξης των δεύτερων.

Βράστε τα λαχανικά και φιλτράρετε το νερό για να επεκτείνετε το χρόνο φύλαξης των κατεψυγμένων. Τοποθετείτε τα τρόφιμα σε αεροστεγείς συσκευασίες αφού τα φιλτράρετε και τοποθετήστε τα στην κατάψυξη. Μπανάνες, ντομάτες, μαρούλι, σέλινο, βραστά αυγά, πατάτες και παρόμοια τρόφιμα δεν πρέπει να καταψύχονται. Η κατάψυξη αυτών των τροφίμων απλά θα προκαλέσει μείωση της διατροφικής αξίας και της ποιότητας των τροφίμων, καθώς και ενδεχόμενη αλλοίωση που είναι επιβλαβής για την υγεία.

Χρήση του προϊόντος

Ρύθμιση θαλάμου Κατάψυξης	Ρύθμιση θαλάμου Συντήρησης	Περιγραφές
-18°C	4°C	Αυτή είναι η προεπιλεγμένη, συνιστώμενη ρύθμιση.
-20, -22 ή -24°C	4°C	Αυτές οι ρυθμίσεις συνιστώνται για θερμοκρασίες περιβάλλοντος που δεν υπερβαίνουν τους 30°C.
Hızlı Dondur	4°C	Χρησιμοποιείτε αυτή τη ρύθμιση για να καταψύξετε τρόφιμα σε σύντομο χρόνο, το προϊόν θα επανέλθει στις προηγούμενες ρυθμίσεις όταν ολοκληρωθεί η διαδικασία.
-18°C ή χαμηλότερη θερμοκρασία	2°C	Χρησιμοποιείτε αυτές τις ρυθμίσεις αν πιστεύετε ότι ο θάλαμος συντήρησης δεν είναι αρκετά κρύος, λόγω της θερμοκρασίας περιβάλλοντος ή συχνού ανοίγματος της πόρτας. Ψυγείο / Οδηγίες Χρήσης

5.27. Τοποθέτηση των τροφίμων

Ράφια θαλάμου κατάψυξης Ράφια θαλάμου	Διάφορα κατεψυγμένα τρόφιμα περιλαμβανομένου κρέατος, ψαριών, παγωτού, λαχανικών κλπ.
συντήρησης πόρτας	Τρόφιμα μέσα σε σκεύη, σκεπασμένα πιάτα και σκεπασμένες θήκες, αυγά (σε σκεπασμένες θήκες)
συντήρησης λαχανικών	Μικρά και συσκευασμένα τρόφιμα ή ποτά
θαλάμου	Φρούτα και λαχανικά
Διαμέρισμα νωπών τροφίμων	Ντελικατέσεν (είδη πρωινού, προϊόντα κρέατος για άμεση κατανάλωση)

5.28. Ειδοποίηση ανοικτής πόρτας (προαιρε.)

Θα ακουστεί μια ηχητική ειδοποίηση αν η πόρτα του προϊόντος παραμείνει ανοικτή για 1 λεπτό. Η ηχητική ειδοποίηση θα σταματήσει όταν κλείσετε την πόρτα ή πατήσετε οποιοδήποτε κουμπί στην οθόνη (αν διατίθεται).

5.29. Εσωτερικό φως

Για το εσωτερικό φως χρησιμοποιείται μια λάμπα τύπου LED. Για οποιαδήποτε προβλήματα με αυτή τη λάμπα απευθυνθείτε στο εξουσιοδοτημένο σέρβις.

6 Συντήρηση και καθαρισμός

Ο τακτικός καθαρισμός του προϊόντος θα επιμηκύνει την ωφέλιμη διάρκεια ζωής του.



ΠΡΟΕΙΔΟΠΟΙΗΣΗ: Αποσυνδέστε το ψυγείο από το ρεύμα δικτύου πριν τον καθαρισμό.

- Μη χρησιμοποιείτε εργαλεία που είναι αιχμηρά ή χαράζουν, σαπούνι, οικιακά καθαριστικά, απορρυπαντικά, αέριο, βενζίνη, αραιωτικά και παρόμοιες ουσίες για τον καθαρισμό.
- Σε προϊόντα που δεν είναι No Frost, στο πίσω τοίχωμα του θαλάμου συντήρησης σχηματίζονται σταγόνες και πάχνη πάχους έως ενός δακτύλου. Μην καθαρίζετε και μην απλώνετε λάδι ή παρόμοια υλικά.
- Χρησιμοποιείτε μόνο ελαφρώς υγρά πανιά μικροϊνών για τον καθαρισμό της εξωτερικής επιφάνειας του προϊόντος. Οι σπόγγοι και άλλοι τύποι πανιών καθαρισμού μπορεί να χαράζουν την επιφάνεια.
- Διαλύστε μια κουταλιά του γλυκού μαγειρικής σόδας σε νερό. Υγράνετε στο νερό αυτό ένα πανί και στύψτε το. Σκουπίστε τη συσκευή με αυτό το πανί και στεγνώστε το σχολαστικά.
- Προσέξτε να κρατήσετε το νερό μακριά από το κάλυμμα της λάμπας και άλλα ηλεκτρικά εξαρτήματα.
- Καθαρίστε την πόρτα χρησιμοποιώντας ένα υγρό πανί. Αφαιρέστε όλα τα είδη μέσα από το ψυγείο για να αφαιρέσετε την πόρτα και τα ράφια των θαλάμων. Ανυψώστε τα ράφια πόρτας για να τα αποσυνδέσετε. Καθαρίστε και στεγνώστε τα ράφια, και κατόπιν επανατοποθετήστε τα συρτά από το πάνω μέρος.

- Μη χρησιμοποιείτε χλωρίνη ή καθαριστικά προϊόντα στην εξωτερική επιφάνεια και στα επιχρωμιωμένα μέρη του προϊόντος. Η χλωρίνη θα προκαλέσει σκουριά σε τέτοιες μεταλλικές επιφάνειες.
- Μη χρησιμοποιείτε εργαλεία που κόβουν και χαράζουν ή σαπούνι, οικιακά καθαριστικά, απορρυπαντικά βενζίνη, βενζόλιο, κεριά κλπ, διαφορετικά οι στάμπες στα πλαστικά εξαρτήματα θα σβήσουν και θα προκύψει παραμόρφωση. Για τον καθαρισμό χρησιμοποιήστε χλιαρό νερό και ένα μαλακό πανί και σκουπίστε για να στεγνώσει.

6.1. Αποτροπή δυσάρεστων οσμών

Το προϊόν κατασκευάζεται χωρίς υλικά που αναδίδουν οσμές. Ωστόσο, η φύλαξη των τροφίμων σε ακατάλληλα τμήματα και ο ακατάλληλος καθαρισμός των εσωτερικών επιφανειών μπορεί να έχει ως αποτέλεσμα ανάπτυξη δυσάρεστων οσμών.

Για να το αποφύγετε αυτό, καθαρίζετε το εσωτερικό με διάλυμα μαγειρικής σόδας σε νερό κάθε 15 ημέρες.

- Να διατηρείτε τα τρόφιμα σε κλειστά δοχεία. Από τα μη σφραγισμένα τρόφιμα μπορεί να εξαπλωθούν μικροοργανισμοί και να προκληθούν δυσάρεστες οσμές.
- Μην τοποθετείτε μέσα στο ψυγείο ληγμένα και αλλοιωμένα τρόφιμα.

6.2. Προστασία των πλαστικών επιφανειών

Αν χυθεί λάδι στις πλαστικές επιφάνειες μπορεί να προκληθεί ζημιά στην επιφάνεια και πρέπει να καθαρίζονται άμεσα με χλιαρό νερό.

6.3. Τζάμια πόρτας

- Αυτά τα τζάμια είναι σκληρυμένα για να αυξηθεί η ανθεκτικότητά τους σε κτυπήματα και θραύση.
- Επίσης, στην πίσω επιφάνειά τους έχει εφαρμοστεί μια μεμβράνη ασφαλείας, ως πρόσθετο μέτρο ασφαλείας, για να αποτρέψει την πρόκληση ζημιάς από τα τζάμια στα γύρω αντικείμενα σε περίπτωση θραύσης.
- Αφαιρέστε την προστατευτική μεμβράνη από τα τζάμια.
- Υπάρχει μια επικάλυψη στην επιφάνεια των τζαμιών. Αυτή η επικάλυψη ελαχιστοποιεί τη συσσώρευση λεκέδων και βοηθά να αφαιρούνται εύκολα ενδεχόμενοι λεκέδες και ρύποι. Τα τζάμια που δεν προστατεύονται από τέτοια επικάλυψη μπορεί να υπόκεινται σε επίμονη προσκόλληση οργανικών ή ανόργανων ρύπων βάσης αέρα ή νερού, όπως άλατα σκληρότητας, ανόργανα άλατα, άκαυστους υδρογονάνθρακες, μεταλλικά οξείδια και σιλικόνες, τα οποία μπορούν να προκαλέσουν εύκολα και γρήγορα λεκέδες ή υλική ζημιά. Η διατήρηση της καθαριότητας των τζαμιών γίνεται υπερβολικά δύσκολη παρά τον τακτικό καθαρισμό. Επομένως, υποβαθμίζεται η εμφάνιση και η διαφάνεια του τζαμιού. Οι σκληρές και διαβρωτικές μέθοδοι καθαρισμού και τα παρόμοια καθαριστικά θα επιδεινώσουν αυτά τα προβλήματα και θα επιταχύνουν την υποβάθμιση.
- Για τον τακτικό καθαρισμό πρέπει να χρησιμοποιούνται καθαριστικά προϊόντα βάσης νερού τα οποία δεν είναι αλκαλικά και διαβρωτικά.
- Για τον καθαρισμό πρέπει να χρησιμοποιούνται μη αλκαλικά και μη διαβρωτικά υλικά ώστε να διατηρηθεί για μεγάλο χρονικό διάστημα η ωφέλιμη ζωή αυτής της επικάλυψης.
- Αυτά τα τζάμια είναι σκληρυμένα για να αυξηθεί η ανθεκτικότητά τους σε κτυπήματα και θραύση.
- Επίσης, στην πίσω επιφάνειά τους έχει εφαρμοστεί μια μεμβράνη ασφαλείας, ως πρόσθετο μέτρο ασφαλείας, για να αποτρέψει την πρόκληση ζημιάς από τα τζάμια στα γύρω αντικείμενα σε περίπτωση θραύσης.
- *Το άλκαλι είναι μια βάση η οποία σχηματίζει ιόντα υδροξυλίου (OH^-) όταν διαλύεται σε νερό.
- Τα μέταλλα Li (λίθιο), Na (νάτριο), K (κάλιο), Rb (ρουβίδιο), Cs (καίσιο) και το τεχνητό και ραδιενεργό μέταλλο Fr (φράγκιο) ονομάζονται ΑΛΚΑΛΙΚΑ ΜΕΤΑΛΛΑ.

7 Επίλυση προβλημάτων

Ελέγξτε αυτή τη λίστα πριν απευθυνθείτε στο σέρβις. Αν το κάνετε αυτό θα εξοικονομήσετε χρόνο και χρήματα. Αυτή η λίστα περιλαμβάνει συχνά παράπονα που δεν έχουν σχέση με ελαττωματική εργασία ή υλικά. Ορισμένες λειτουργίες που αναφέρονται εδώ ίσως να μην έχουν εφαρμογή στο προϊόν σας.

Το ψυγείο δεν λειτουργεί.

- Το φινις ρευματοληψίας δεν έχει εισαχθεί πλήρως. >>> *Συνδέστε το ώστε να εισέλθει πλήρως στην πρίζα.*
- Έχει καεί η ασφάλεια που συνδέεται στην πρίζα που τροφοδοτεί το προϊόν ή η γενική ασφάλεια. >>> *Ελέγξτε τις ασφάλειες.*

Συμπύκνωση στο πλευρικό τοίχωμα του θαλάμου συντήρησης (MULTI ZONE, COOL, CONTROL και FLEXI ZONE).

- Η πόρτα ανοιγόταν πολύ συχνά >>> *Προσέξτε να μην ανοίγετε πολύ συχνά την πόρτα του προϊόντος.*
- Το περιβάλλον είναι πολύ υγρό. >>> *Μην εγκαταστήσετε το προϊόν σε υγρό περιβάλλον.*
- Τρόφιμα που περιέχουν υγρά φυλάσσονται σε ανοικτά δοχεία. >>> *Να διατηρείτε τα τρόφιμα που περιέχουν υγρά σε κλειστά δοχεία.*
- Η πόρτα του προϊόντος έχει μείνει ανοικτή. >>> *Μην κρατάτε την πόρτα του προϊόντος ανοικτή για πολλή ώρα.*
- Ο θερμοστάτης έχει ρυθμιστεί σε πολύ χαμηλή θερμοκρασία. >>> *Ρυθμίστε το θερμοστάτη σε κατάλληλη θερμοκρασία.*

Ο συμπιεστής δεν λειτουργεί.

- Σε περίπτωση αιφνίδιας διακοπής ρεύματος ή αποσύνδεσης του φινις ρευματοληψίας από την πρίζα και επανασύνδεσής του, η πίεση αερίου στο ψυκτικό σύστημα του προϊόντος δεν είναι ισορροπημένη, με αποτέλεσμα να ενεργοποιείται η θερμική προστασία του συμπιεστή. Το προϊόν θα αρχίσει πάλι να λειτουργεί μετά από περίπου 6 λεπτά. Αν η λειτουργία του προϊόντος δεν ξεκινήσει πάλι μετά από αυτό το χρονικό διάστημα, απευθυνθείτε στο σέρβις.
- Η απόψυξη είναι ενεργή. >>> *Αυτό είναι φυσιολογικό για προϊόν με πλήρως αυτόματη απόψυξη. Η απόψυξη διενεργείται περιοδικά.*
- Το προϊόν δεν έχει συνδεθεί στην πρίζα. >>> *Βεβαιωθείτε ότι έχει συνδεθεί το καλώδιο ρεύματος.*
- Η ρύθμιση θερμοκρασίας είναι λανθασμένη. >>> *Επιλέξτε την κατάλληλη ρύθμιση θερμοκρασίας.*
- Έγινε διακοπή ρεύματος. >>> *Το προϊόν θα συνεχίσει να λειτουργεί κανονικά όταν αποκατασταθεί το ρεύμα.*

Ο θόρυβος λειτουργίας του ψυγείου αυξάνεται κατά τη χρήση.

- Η απόδοση λειτουργίας του προϊόντος μπορεί να διαφέρει ανάλογα με τις μεταβολές της θερμοκρασίας περιβάλλοντος. Αυτό είναι φυσιολογικό και δεν αποτελεί δυσλειτουργία.

Το ψυγείο τίθεται σε λειτουργία πολύ συχνά ή όχι για πολύ χρόνο.

Επίλυση προβλημάτων

- Το νέο προϊόν μπορεί να είναι μεγαλύτερο από το προηγούμενο. Τα μεγαλύτερα προϊόντα θα λειτουργούν για μεγαλύτερη χρονική διάρκεια.
- Η θερμοκρασία του δωματίου μπορεί να είναι υψηλή. >>> *Το προϊόν κανονικά θα λειτουργεί για μεγαλύτερα χρονικά διαστήματα για μεγαλύτερη θερμοκρασία δωματίου.*
- Το προϊόν μπορεί να έχει συνδεθεί πρόσφατα στην πρίζα ή μπορεί να τοποθετήθηκαν νέα τρόφιμα στο εσωτερικό του. >>> *Θα χρειαστεί περισσότερος χρόνος για να φθάσει το προϊόν τη ρυθμισμένη θερμοκρασία όταν έχει συνδεθεί πρόσφατα στην πρίζα ή τοποθετήθηκαν νέα τρόφιμα στο εσωτερικό του. Αυτό είναι φυσιολογικό.*
- Μπορεί να τοποθετήθηκαν πρόσφατα μεγάλες ποσότητες θερμών τροφίμων μέσα στο προϊόν. >>> *Μην τοποθετείτε μέσα στο προϊόν ζεστά τρόφιμα.*
- Οι πόρτες ανοίγονταν συχνά ή διατηρήθηκαν ανοικτές για μεγάλες χρονικές περιόδους. >>> *Ο ζεστός αέρας που εισέρχεται στο εσωτερικό του, θα κάνει το προϊόν να λειτουργεί για περισσότερο χρόνο. Μην ανοίγετε τις πόρτες πολύ συχνά.*
- Η πόρτα κατάψυξης ή συντήρησης μπορεί να είναι μισάνοιχτη. >>> *Ελέγξτε ότι οι πόρτες έχουν κλείσει καλά.*
- Το προϊόν μπορεί να έχει ρυθμιστεί σε πολύ χαμηλή θερμοκρασία. >>> *Ρυθμίστε τη θερμοκρασία σε υψηλότερη θερμοκρασία και περιμένετε να επιτύχει το προϊόν τη ρυθμισμένη θερμοκρασία.*
- Η στεγανοποίηση της πόρτας συντήρησης ή κατάψυξης μπορεί να είναι λερωμένη, φθαρμένη, σπασμένη ή να μην εδράζει σωστά. >>> *Καθαρίστε ή αντικαταστήστε τη στεγανοποίηση. Αν η στεγανοποίηση της πόρτας έχει υποστεί ζημιά / φθορά, το προϊόν θα λειτουργεί για μεγαλύτερες περιόδους για να διατηρήσει την τρέχουσα θερμοκρασία.*

Η θερμοκρασία κατάψυξης είναι πολύ χαμηλή, αλλά η θερμοκρασία της συντήρησης είναι επαρκής.

- Η θερμοκρασία του θαλάμου κατάψυξης έχει ρυθμιστεί σε πολύ μικρή τιμή. >>> *Ρυθμίστε τη θερμοκρασία του θαλάμου κατάψυξης σε υψηλότερη τιμή και ελέγξτε πάλι.*

Η θερμοκρασία συντήρησης είναι πολύ χαμηλή, αλλά η θερμοκρασία της κατάψυξης είναι επαρκής.

- Η θερμοκρασία του θαλάμου συντήρησης έχει ρυθμιστεί σε πολύ μικρή τιμή. >>> *Ρυθμίστε τη θερμοκρασία του θαλάμου συντήρησης σε υψηλότερη τιμή και ελέγξτε πάλι.*

Τα τρόφιμα που φυλάσσονται στα συρτάρια του θαλάμου συντήρησης είναι παγωμένα.

- Η θερμοκρασία του θαλάμου συντήρησης έχει ρυθμιστεί σε πολύ μικρή τιμή. >>> *Ρυθμίστε τη θερμοκρασία του θαλάμου κατάψυξης σε υψηλότερη τιμή και ελέγξτε πάλι.*

Η θερμοκρασία στη συντήρηση ή κατάψυξη είναι πολύ υψηλή.

Επίλυση προβλημάτων

- Η θερμοκρασία του θαλάμου συντήρησης έχει ρυθμιστεί σε πολύ υψηλή τιμή. >>> *Η ρύθμιση της θερμοκρασίας θαλάμου συντήρησης επηρεάζει τη θερμοκρασία θαλάμου κατάψυξης. Αλλάζει τη θερμοκρασία του θαλάμου συντήρησης ή κατάψυξης και περιμένετε έως ότου οι αντίστοιχοι θάλαμοι έχουν επιτύχει το ρυθμισμένο επίπεδο θερμοκρασίας.*
- Οι πόρτες ανοίγονταν συχνά ή διατηρήθηκαν ανοικτές για μεγάλες χρονικές περιόδους. >>> *Μην ανοίγετε τις πόρτες πολύ συχνά.*
- Η πόρτα μπορεί να είναι μισάνοιχτη. >>> *Κλείστε τελείως την πόρτα.*
- Το προϊόν μπορεί να έχει συνδεθεί πρόσφατα στην πρίζα ή μπορεί να τοποθετήθηκαν νέα τρόφιμα στο εσωτερικό του. >>> *Αυτό είναι φυσιολογικό. Θα χρειαστεί περισσότερος χρόνος για να φθάσει το προϊόν τη ρυθμισμένη θερμοκρασία όταν έχει συνδεθεί πρόσφατα στην πρίζα ή τοποθετήθηκαν νέα τρόφιμα στο εσωτερικό του.*
- Μπορεί να τοποθετήθηκαν πρόσφατα μεγάλες ποσότητες θερμών τροφίμων μέσα στο προϊόν. >>> *Μην τοποθετείτε μέσα στο προϊόν ζεστά τρόφιμα.*

Ταλάντευση ή θόρυβος

- Το δάπεδο δεν είναι επίπεδο, οριζόντιο και ανθεκτικό. >>> *Αν το προϊόν ταλαντεύεται όταν το μετακινείτε αργά, ρυθμίστε τα πόδια για να ισοροπήσετε το προϊόν. Επίσης βεβαιωθείτε ότι το δάπεδο έχει αρκετή φέρουσα ικανότητα ώστε να αντέχει το προϊόν.*
- Οποιαδήποτε είδη έχουν τοποθετηθεί πάνω στο προϊόν μπορεί να προκαλέσουν θόρυβο. >>> *Αφαιρέστε οποιαδήποτε είδη έχουν τοποθετηθεί πάνω στο προϊόν.*

Το προϊόν παράγει θόρυβο ροής ή ψεκασμού υγρού κλπ.

- Οι αρχές λειτουργίας του προϊόντος περιλαμβάνουν ροή υγρού και αερίου. >>> *Αυτό είναι φυσιολογικό και δεν αποτελεί δυσλειτουργία.*

Ακούγεται φύσημα αέρα από το προϊόν.

- Το προϊόν χρησιμοποιεί έναν ανεμιστήρα για τη διαδικασία ψύξης. Αυτό είναι φυσιολογικό και δεν αποτελεί δυσλειτουργία.

Υπάρχει συμπύκνωση στα εσωτερικά τοιχώματα του προϊόντος.

- Ο θερμός ή υγρός καιρός μπορεί να αυξήσει τη συσσώρευση πάγου και τη συμπύκνωση. Αυτό είναι φυσιολογικό και δεν αποτελεί δυσλειτουργία.
- Οι πόρτες ανοίγονταν συχνά ή διατηρήθηκαν ανοικτές για μεγάλες χρονικές περιόδους. >>> *Μην ανοίγετε τις πόρτες πολύ συχνά, αν κάποια πόρτα είναι ανοικτή, κλείστε την.*
- Η πόρτα μπορεί να είναι μισάνοιχτη. >>> *Κλείστε τελείως την πόρτα.*

Υπάρχει συμπύκνωση στα εξωτερικά τοιχώματα του προϊόντος ή ανάμεσα στις πόρτες.

- Ο καιρός μπορεί να είναι υγρός, αυτό είναι πολύ φυσιολογικό σε κρύο καιρό. >>> *Η συμπύκνωση θα πάψει όταν μειωθεί η υγρασία.*

Δυσοσμία στο εσωτερικό.

- Το προϊόν δεν καθαρίζεται τακτικά. >>> *Καθαρίζετε το εσωτερικό τακτικά με σφουγγάρι, χλιαρό νερό και διάλυμα μαγειρικής σόδας σε νερό.*
- Ορισμένες συσκευασίες και υλικά συσκευασίας μπορεί να παράγουν οσμές. >>> *Χρησιμοποιείτε δοχεία και υλικά συσκευασίας που δεν παράγουν οσμές.*
- Τα τρόφιμα τοποθετήθηκαν σε μη σφραγισμένα δοχεία. >>> *Να διατηρείτε τα τρόφιμα σε σφραγισμένα δοχεία. Από τα μη σφραγισμένα τρόφιμα μπορεί να εξαπλωθούν μικροοργανισμοί και να προκαληθούν δυσάρεστες οσμές.*
- Απομακρύνετε από το προϊόν τυχόν τρόφιμα που έχουν λήξει ή αλλοιωθεί.

Η πόρτα δεν κλείνει.

Επίλυση προβλημάτων

- Οι συσκευασίες των τροφίμων μπορεί να εμποδίζουν την πόρτα. >>> *Αλλάξτε θέση σε τυχόν είδη που εμποδίζουν τις πόρτες.*
- Το προϊόν δεν στέκεται σε τελείως όρθια θέση στο δάπεδο. >>> *Ρυθμίστε τα πόδια για να ισορροπήσετε σωστά το προϊόν.*
- Το δάπεδο δεν είναι επίπεδο, οριζόντιο και ανθεκτικό. >>> *Βεβαιωθείτε ότι το δάπεδο είναι επίπεδο και οριζόντιο και αρκετά ανθεκτικό για το βάρος του προϊόντος.*

Το συρτάρι λαχανικών έχει σφηνώσει.

- Τα τρόφιμα μπορεί να έρχονται σε επαφή με το άνω τμήμα του συρταριού. >>> *Αναδιοργανώστε τα τρόφιμα μέσα στο συρτάρι.*

Αν Η Επιφάνεια Του Προϊόντος Είναι Θερμη.

- Ενδέχεται να παρατηρηθούν υψηλές θερμοκρασίες ανάμεσα στις δύο πόρτες, στα πλευρικά πλαίσια και στην πίσω σχάρα κατά τη λειτουργία του προϊόντος. Αυτό είναι φυσιολογικό και το προϊόν δεν χρειάζεται συντήρηση! Προσοχή όταν αγγίζετε αυτές τις επιφάνειες.



ΠΡΟΕΙΔΟΠΟΙΗΣΗ: Αν το πρόβλημα επιμένει αφού ακολουθήσετε τις οδηγίες σε αυτή την ενότητα, απευθυνθείτε στο κατάστημα αγοράς ή σε Εξουσιοδοτημένο σέρβις. Μην επιχειρήσετε να επισκευάσετε μόνοι σας το προϊόν.

ΠΑΡ. ΣΕΪΤΑΝΙΔΗΣ Α.Ε.

ΠΟΛΥΣΤΥΛΟ ΚΑΒΑΛΑΣ ΤΗΛ 2510 392 180-3
ΥΠΟΚΑΤΑΣΤΗΜΑ ΑΘΗΝΩΝ
ΑΛΙΜΟΥ 8 ΚΑΙ ΖΑΛΟΓΤΟΥ, ΑΛΙΜΟΣ
ΤΗΛ 211 012 2829-30-31-32
E-mail: seitanidis@otenet.gr



ΕΓΓΥΗΣΗ

Η εταιρεία ΠΑΡ.ΣΕΪΤΑΝΙΔΗΣ Α.Ε. σας ευχαριστεί για την προτίμηση που δείξατε αγοράζοντας τις συσκευές beko και σας παρέχει τον παρακάτω χρόνο εγγύησης από την ημερομηνία αγοράς τους. Αν μέσα στην διάρκεια της εγγύησης η συσκευή σας χρειαστεί επισκευή, μπορείτε να ενημερωθείτε για τα εξουσιοδοτημένα service από το τηλεφωνικό κέντρο της εταιρεία μας στο τηλέφωνο **2510 392511 / 2510 392512**

ΨΥΓΕΙΑ	3 ΧΡΟΝΙΑ	ΚΑΤΑΨΥΚΤΕΣ	3 ΧΡΟΝΙΑ
ΚΟΥΖΙΝΕΣ	3 ΧΡΟΝΙΑ	ΦΟΥΡΝΟΙ ΜΙΚΡΟΚΥΜΑΤΩΝ	2 ΧΡΟΝΙΑ
ΠΛΥΝΤΗΡΙΑ	3 ΧΡΟΝΙΑ	ΜΙΚΡΟΣΥΣΚΕΥΕΣ - ΣΚΟΥΠΕΣ	2 ΧΡΟΝΙΑ

ΟΝΟΜΑΤΕΠΩΝΥΜΟ ΑΓΟΡΑΣΤΗ..... ΑΡ. ΕΓΓΥΗΣΗΣ.....

..... ΑΡ. ΠΑΡΑΣΤΑΤ. ΑΓΟΡΑΣ.....

ΔΙΕΥΘΥΝΣΗ..... ΜΟΝΤΕΛΟ ΣΥΣΚΕΥΗΣ.....

..... ΣΕΙΡΙΑΚΟΣ ΑΡΙΘΜΟΣ ΣΥΣΚΕΥΗΣ.....

ΤΗΛ : ΗΜΕΡ/ΝΙΑ ΑΓΟΡΑΣ.....

ΣΦΡΑΓΙΔΑ & ΥΠΟΓΡΑΦΗ ΠΩΛΗΤΗ.....



ΟΝΟΜΑΤΕΠΩΝΥΜΟ ΑΓΟΡΑΣΤΗ..... ΑΡ. ΕΓΓΥΗΣΗΣ.....

..... ΑΡ. ΠΑΡΑΣΤΑΤ. ΑΓΟΡΑΣ.....

ΔΙΕΥΘΥΝΣΗ..... ΜΟΝΤΕΛΟ ΣΥΣΚΕΥΗΣ.....

..... ΣΕΙΡΙΑΚΟΣ ΑΡΙΘΜΟΣ ΣΥΣΚΕΥΗΣ.....

ΤΗΛ : ΗΜΕΡ/ΝΙΑ ΑΓΟΡΑΣ.....

ΣΦΡΑΓΙΔΑ & ΥΠΟΓΡΑΦΗ ΠΩΛΗΤΗ.....

.....

ΟΡΟΙ ΚΑΙ ΠΡΟΫΠΟΘΕΣΕΙΣ ΙΣΧΥΟΣ ΤΗΣ ΠΑΡΟΥΣΗΣ ΕΓΓΥΗΣΗΣ

1. Για να ισχύει η παρούσα εγγύηση θα πρέπει να συμπληρωθούν πλήρως και να υπογραφούν δεόντως με φροντίδα του πελάτη και τα δύο μέρη της εγγύησης. Το απόκομμα για την εταιρεία θα πρέπει να ταχυδρομηθεί με συστημένη επιστολή ή να προσκομηθεί στα γραφεία της εταιρείας μας (Πολύτυλο Καβάλας Τ.Θ 1402 , Τ.Κ.64003) εντός 10 ημερών από την ημερομηνία αγοράς.
2. Η εργοστασιακή εγγύηση καλύπτει τον χρόνο που αναγράφεται στον σχετικό πίνακα για κάθε συσκευή, κάθε ανωμαλία ή βλάβη που οφείλεται αποκλειστικά σε κατασκευαστικό ελάττωμα ή ελαττωματικό εξάρτημα της συσκευής. Η αποκατάσταση της βλάβης γίνεται εντελώς δωρεάν δια της αντικατάστασης ή επισκευής του ελαττωματικού εξαρτήματος. Σε καμία περίπτωση δεν προβλέπεται η **αντικατάσταση** της συσκευής. Ο καταναλωτής οφείλει με δικές του δαπάνες να πάει την συσκευή στο κοντινότερο εξουσιοδοτημένο service της εταιρίας.
3. Η εταιρεία μας διατηρεί το δικαίωμα να καθορίζει τον τρόπο και τόπο επισκευής των βλαβών κατά την απόλυτη κρίση της .
4. Η εγγύηση δεν καλύπτει βλάβες που οφείλονται άμεσα ή έμμεσα σε αμέλεια , παράλειψη , κακή εγκατάσταση και πάσης φύσεως επέμβαση στη συσκευή από μη εξουσιοδοτημένο συνεργείο , κακή χρήση και ελλιπή συντήρηση της συσκευής. Επίσης η εταιρεία μας δεν ευθύνεται για βλάβες που οφείλονται σε κακή ηλεκτρική σύνδεση σε τάση διαφορετική από την αναγραφόμενη στη πινακίδα της συσκευής , σε μη υγιωμένο ρευματοδότη ή σε μεταβολές της τάσης. Στις καλύψεις της εγγύησης δεν συμπεριλαμβάνονται τα εύθραυστα εξαρτήματα όπως ενδεικτικά αναφέρουμε : γυάλινες και πλαστικές επιφάνειες , λυχνίες κ.α.
5. Η εγγύηση παρέχεται προς τον αρχικό αγοραστή και ισχύει από την ημερομηνία αγοράς της συσκευής.
6. Η παρούσα εγγύηση πρέπει να συνοδεύεται από τιμολόγιο ή δελτίο λιανικής πώλησης ή φωτοαντίγραφο **αυτού**.

Αποφύγετε την αλλοίωση της εγγύησης και της πινακίδας μητρώου που βρίσκεται στο πίσω μέρος της συσκευής.

Φυλάξτε την εγγύηση και μετά την λήξη της.

Προσκομίστε την σε κάθε αίτημα για επισκευή.

ΠΡΟΣΟΧΗ

ΣΕ ΠΕΡΙΠΤΩΣΗ ΠΟΥ ΔΕΝ ΣΤΑΛΕΙ Η ΚΑΡΤΑ ΕΓΓΥΗΣΕΩΣ ΕΝΤΟΣ 10 ΗΜΕΡΩΝ ΣΤΗΝ ΕΤΑΙΡΕΙΑ ΔΕΝ ΙΣΧΥΕΙ Η ΕΓΓΥΗΣΗ ΤΗΣ ΣΥΣΚΕΥΗΣ ΠΟΥ ΕΠΙΛΕΞΑΤΕ

SERVICE ΔΕΥΚΩΝ ΣΥΣΚΕΥΩΝ

ΑΘΗΝΑ ΜΑΚΡΗΣ ΦΩΤΙΟΣ	210 2116649 6932366733	ΘΕΣΣΑΛΟΝΙΚΗ ΓΙΑΓΟΥΡΗΣ Π. Κ ΣΙΑ Ο.Ε.	6947424284 6936065106
ΠΑΤΡΑ ΧΟΡΜΠΑΣ ΝΙΚΟΛΑΟΣ	2610 640810 6932 437700	ΒΟΛΟΣ ΝΑΟΥΜΙΔΗΣ ΓΕΩΡΓΙΟΣ	22410 94130 6981972363
ΙΩΑΝΝΙΝΑ ΤΣΟΥΓΙΑΣ ΧΡΗΣΤΟΣ	26510 31947 6945 306990	ΚΟΜΟΤΗΝΗ ΠΑΠΑΖΟΥΔΗΣ ΚΩΝΣΤΑΝΤΙΝΟΣ	25310 33711 6932 587473

SERVICE ΘΗΛΕΟΡΑΣΕΩΝ – HIFI

ΑΘΗΝΑ ΜΑΝΩΛΟΠΟΥΛΟΣ ΓΕΩΡΓΟΣ	210 8836512	ΘΕΣΣΑΛΟΝΙΚΗ ΣΑΜΙΟΣ ΠΑΡΑΣΧΟΣ	2310 429229
ΠΑΤΡΑ ΗΛΙΟΠΟΥΛΟΣ ΔΗΜΗΤΡΙΟΣ	2610 622388	ΒΟΛΟΣ ΜΑΡΓΑΡΙΤΟΥΛΗΣ ΘΕΟΔΩΡΟΣ	24210 30113



ΠΡΟΣ : 

ΧΩΡΟΣ
ΓΡΑΜ / ΜΟΥ

ΠΑΡ. ΣΕΪΤΑΝΙΔΗΣ Α.Ε.

ΠΟΛΥΣΤΥΛΟ ΚΑΒΑΛΑΣ
Τ.Θ 1402 , Τ.Κ.64003
ΤΗΛ 2510 392180-3

- لا يتم تنظيف الجهاز بانتظام. << نظف الجزء الداخلي بانتظام مستخدماً إسفنجاً وماء دافئ وماء مكرين.
- قد تتسبب بعض المستويات ومواد التنظيف بالروائح. << استخدم المستويات ومواد التنظيف الخالية من الروائح.
- تم وضع الطعام في مستويات غير محكمة الإغلاق. << احتفظ بالأطعمة في مستويات محكمة الإغلاق. قد تنتشر الميكروبات من الأطعمة غير المغلقة مسببة الروائح الكريهة.
- تخلص من أية أطعمة فاسدة أو منتهية الصلاحية داخل الجهاز.

الباب لا يغلق.

- تسد أغلفة الطعام الباب أحياناً. << غير مكان الأطعمة التي تسد الأبواب.
- لا يقف الجهاز بوضع رأسي كامل على الأرض. << اضبط القواعد لموازنة الجهاز.
- الأرض غير مستوية أو متينة. << تأكد أن الأرض مستوية ومتينة لدرجة تحمل الجهاز.

سلة الخضار عالقة.

- ربما تلامس الأطعمة الجزء العلوي من الجارور. << أعد ترتيب الأطعمة في الجارور.

إذا كان سطح المنتج ساخناً

- قد يلاحظ ارتفاع درجات الحرارة بين البابين، وعلى الألواح الجانبية والشواية الخلفية أثناء تشغيل المنتج. وهذا طبيعي ولا يعد ذلك عيباً يتطلب الصيانة. كن حذراً عند لمس هذه الأماكن.

تحذير: إن استمرت المشكلة بعد اتباع تعليمات هذا القسم، اتصل بالبائع أو بمركز خدمة معتمد. لا تحاول إصلاح الجهاز.



- تم ضبط درجة حرارة حجرة المبرد على درجة عالية جداً. << يؤثر إعداد درجة حرارة حجرة المبرد على درجة حرارة حجرة المبرد. قم بتغيير درجة حرارة حجرة المبرد أو المبرد وانتظر حتى تصل الحجرات إلى مستوى درجة الحرارة المرغوبة.
- تم فتح الأبواب كثيراً أو تركت مفتوحة لفترات طويلة. << لا تفتح الأبواب كثيراً.
- ربما يكون الباب موارباً. << أغلق الباب كلياً.
- ربما تم توصيل الجهاز بالكهرباء مؤخرًا أو تم وضع صنف طعام جديد داخله. << هذا أمر طبيعي. يستغرق الجهاز فترة أطول لبلوغ درجة الحرارة المعينة عند توصيله بالكهرباء حديثاً أو عند وضع صنف طعام جديد داخله.
- ربما تم وضع كميات كبيرة من الطعام الساخن في الجهاز مؤخرًا. << لا تضع الطعام الساخن داخل الجهاز.

الاهتزاز أو الضجيج.

- الأرض غير مستوية أو متينة. << إذا كان الجهاز يهتز عند تحريكه بيده، اضبط القواعد لموازنة الجهاز. تأكد أن الأرض متينة لدرجة تحمل الجهاز.
- قد تحدث أية مواد موضوعة على الجهاز ضجيجاً. << قم بإزالة أية مواد وضعت على الجهاز.

يصدر الجهاز ضجيجاً يشبه تدفق السوائل، أو الرش، الخ.

يتخلل مبادئ تشغيل الجهاز تدفق السائل والغاز. << هذا أمر طبيعي ولا يعتبر عطلاً.

هناك صوت كهبوب الرياح يأتي من الجهاز.

- يستخدم الجهاز مروحة في عملية التبريد. هذا أمر طبيعي ولا يعتبر عطلاً.

هناك تكاثف على الجدران الداخلية للجهاز.

- يزيد الطقس الحار أو الرطب من تشكل الصقيع والتكاثف. هذا أمر طبيعي ولا يعتبر عطلاً.
- تم فتح الأبواب كثيراً أو تركت مفتوحة لفترات طويلة. << لا تفتح الأبواب كثيراً؛ إذا كانت مفتوحة، أغلقها.

- ربما يكون الباب موارباً. << أغلق الباب كلياً.

هناك تكاثف على السطح الخارجي للجهاز أو بين الأبواب.

- ربما يكون جو المكان رطباً، وهذا أمر طبيعي في الجو الرطب. << سيبتدئ التكاثف عندما تقل الرطوبة.

رائحة الجزء الداخلي سيئة.

نم. بتباصلا زكرم لاصتلا لبقه تمناقلا مدهنم ققتت
يواكشلا تمناقلا مدهنم مضتت. لاملاو تقولا ريفوت لكذناش
قبطنت لا تقو. داوملا واطعناصلا بويعد تمطبرتملا ريغ
لكزناهي لعدانه وركذم تنعيم تامسد

الثلاجة لا تعمل.

- قابس الطاقة غير مستقر كليا. <<< ادفعه بحيث يستقر في المقبس كليا.
- الصمام الموصول بالمقبس الذي يزود الجهاز بالطاقة أو الصمام الرئيسي تالف. <<< افحص الصمامات.

هناك تكاتف على جانب جدار حجرة المبرد (المنطقة المتعددة، منطقة التبريد، التحكم والمنطقة المرنة).

- المكان بارد جدا. <<< لا تضع الجهاز في أماكن تقل فيها درجة الحرارة عن 5- درجة مئوية.
- يتم فتح الباب كثيرا <<< تجنب فتح باب الثلاجة كثيرا.
- المكان رطب جدا. <<< لا تضع الجهاز في أماكن رطبة.

- الأطعمة المحتوية على سوائل تحفظ في مستويات غير محكمة الإغلاق. <<< احتفظ بالأطعمة المحتوية على سوائل في مستويات محكمة الإغلاق.
- ترك الباب مفتوحا. <<< لا تدع أبواب الثلاجة مفتوحة لفترات طويلة.
- تم ضبط الثيرموستات على درجات متدنية جدا. <<< اضبط الثيرموستات على درجة حرارة مناسبة.

الضاغط لا يعمل.

- في حال حدوث انقطاع مفاجئ في التيار الكهربائي أو سحب قابس الطاقة وإعادة مرة أخرى، يصبح ضغط الغاز في نظام تبريد الجهاز غير متوازن، مما يفعل الواقي الحراري للضاغط. يعمل المنتج من جديد بعد 6 دقائق تقريبا. إذا لم يعمل الجهاز بعد هذه الفترة، اتصل بمركز الصيانة.
- إزالة الجليد غير نشطة. <<< هذا أمر طبيعي في جهاز مقاوم للصفيق تلقائيا. تتم إزالة الجليد دوريا.
- الجهاز غير موصول بالكهرباء. <<< تأكد أن سلك الطاقة موصول بالكهرباء.
- إعداد الحرارة غير صحيح. <<< اختر إعدادا صحيحا لدرجة الحرارة.
- لا يوجد تيار كهربائي. <<< يستمر الجهاز بالعمل بشكل طبيعي حال عودة الطاقة.

يزداد ضجيج تشغيل الثلاجة أثناء الاستعمال.

- وقد يتباين أداء عمل الجهاز بناء على تغيرات درجة حرارة المكان. هذا أمر طبيعي ولا يعتبر عطلا.
- تعمل الثلاجة لفترة زمنية طويلة.

- ربما يكون المنتج الجديد أكبر من المنتج السابق. تعمل الأجهزة الأكبر فترات زمنية أطول.
- ربما تكون درجة حرارة الغرفة عالية. <<< يعمل الجهاز فترات طويلة في درجات الحرارة العالية.
- ربما تم توصيل الجهاز بالكهرباء مؤخرا أو تم وضع صنف طعام جديد داخله. <<< يستغرق الجهاز فترة أطول لبلوغ درجة الحرارة المعينة عند توصيله بالكهرباء حديثا أو عند وضع صنف طعام جديد داخله. هذا أمر طبيعي.
- ربما تم وضع كميات كبيرة من الطعام الساخن في الجهاز مؤخرا. <<< لا تضع الطعام الساخن داخل الجهاز.

- تم فتح الأبواب كثيرا أو تركت مفتوحة لفترات طويلة. <<< يتسبب الهواء الساخن المتحرك في الداخل في عمل الجهاز فترة أطول. لا تفتح الأبواب كثيرا.
- ربما يكون باب المجمد أو المبرد مواربا. <<< تأكد أن الأبواب مغلقة كليا.
- ربما يكون الجهاز مضبوط على درجة حرارة متدنية جدا. <<< اضبط درجة الحرارة على درجة أعلى وانتظر حتى يصل الجهاز إلى درجة الحرارة المرغوبة.
- ربما تكون فلحة باب المبرد أو المجمد متسخة، أو مهترئة أو مكسورة أو غير مستقرة. <<< نظف أو استبدل الفلحة. تتسبب فلحة الباب التالفة/المهترئة في عمل الجهاز لفترات طويلة للحفاظ على درجة الحرارة الحالية.

درجة حرارة المجمد منخفضة جدا، لكن درجة حرارة المبرد ملائمة.

- تم ضبط درجة حرارة حجرة المجمد على درجة متدنية جدا. <<< اضبط درجة حرارة حجرة المجمد على درجة أعلى وافحص مرة أخرى.

درجة حرارة المبرد منخفضة جدا، لكن درجة حرارة المجمد ملائمة.

- تم ضبط درجة حرارة حجرة المبرد على درجة متدنية جدا. <<< اضبط درجة حرارة حجرة المبرد على درجة أعلى وافحص مرة أخرى.

الأطعمة المحفوظة في جوارير حجرة المبرد متجمدة.

- تم ضبط درجة حرارة حجرة المبرد على درجة متدنية جدا. <<< اضبط درجة حرارة حجرة المجمد على درجة أعلى وافحص مرة أخرى.

درجة الحرارة في المبرد أو المجمد عالية جدا.

يتم إطالة العمر الافتراضي للجهاز في حالة تنظيف بانتظام.

- ينبغي عدم الاحتفاظ بالأطعمة منتهية الصلاحية والأطعمة الفاسدة في الثلاجة.

6.1 حماية الأسطح البلاستيكية

قم بتنظيفها على الفور بالماء لأن الزيوت قد تتسبب في تلف الأسطح في حالة انسكابها على الأسطح البلاستيكية.

6.2 زجاج الباب

قم بإزالة رقاقة الحماية عن الزجاج.

توجد طبقة على سطح الزجاج. هذه الطبقة تقلل تراكم البقع وتساعد في إزالة البقع والأتساخات التي قد تتعرض لها بسهولة. الزجاج غير المحمي بتلك الطبقة يمكن أن يتعرض لآتساخات عنيدة ذات قاعدة هوائية أو مائية، مثل الترسبات الجيرية والأملاح المعدنية والأكاسيد المعدنية والسيليكون، وهي مواد يمكن أن تتسبب بسرعة وبسهولة في ظهور بقع وأضرار على السطح. من الصعب للغاية الحفاظ على نظافة الزجاج رغم التنظيف المنتظم. ولذلك، يتدهور شكل وشفافية الزجاج. طرق التنظيف العنيفة والمركبات الضارة تزيد من التأثيرات السلبية وتجعل بعملية تدهور مظهر الزجاج.

يجب استخدام منتجات تنظيف بقاعدة مائية غير قلووية وغير ضارة لأغراض التنظيف المنتظم.

ويجب استخدام خامات غير قلووية وغير ضارة للتنظيف لإطالة العمر الافتراضي لهذه الطبقة حتى تستمر لفترة طويلة.

الزجاج صلب لزيادة متانته ضد الصدمات والكسر.

يتم أيضاً وضع غشاء أمان على الأسطح الخلفية كإجراء أمان إضافي لمنعها من التسبب في تلف ما يحيط بها في حالة الكسر.

*القلويات عبارة عن قاعدة تكون أيونات هيدروكسيد (OH⁻) عند إذابتها في الماء.

المواد Li (ليثيوم) و Na (صوديوم) و K (البوتاسيوم) و Rb (الروبيديوم) و Cs (السيوميوم) والمعادن الاصطناعية والإشعاعية Fr (الفانزيوم) تسمى معادن قلووية.

تحذير: فصل الثلاجة أولاً عن الكهرباء قبل التنظيف.



- لا تستخدم أبداً الأدوات الحادة وكاشطة، والصابون، والمنظفات المنزلية، ومنظفات غسل أو شمع التلميع عند التنظيف.
- قم بإذابة مقدار ملعقة شاي من الكربون في نصف لتر ماء. انقع قطع قماش في المحلول واعصرها بعناية. امسح الجزء الخارجي من الثلاجة باستخدام هذه القماشة وجفف الثلاجة بعناية.
- تأكد من عدم دخول المياه إلى مبيت المصباح وغيره من العناصر الكهربائية.
- قم بتنظيف الباب بقطعة قماش مبللة لإزالة الباب وأرفف الجسم، عليك إزالة جميع محتوياتها.
- قم بإزالة أرفف الباب قبل التحريك لأعلى. بعد التنظيف، مرهم من الأعلى للأسفل للتركيب.
- لا تستخدم أبداً مواد التنظيف أو المياه التي تحتوي على الكلورين لتنظيف الأسطح الخارجية والأجزاء المطلية بالكروم من المنتج. فالكالورين يتسبب في تآكل هذه الأسطح المعدنية.

تجنب الروائح الكريهة

لم يتم استخدام المواد التي قد تنتج روائح عند تصنيع منتجاتنا. إلا أنه قد تصادف مشكلة انبعاث روائح بسبب الأحوال غير المناسبة لحفظ الطعام وعدم تنظيف السطح الداخلي للثلاجة كما هو مطلوب.

لذلك، قم بتنظيف الثلاجة بكيرونيات مذابة في الماء كل 15 يوماً.

- يجب حفظ الأطعمة في أوعية مغطاة. حيث قد تتسبب الكائنات الدقيقة الصادرة عن الأطعمة غير المغطاة في انبعاث روائح كريهة.

5.30. تغيير اتجاه فتحة الباب

يمكن تغيير اتجاه فتحة باب الثلاجة طبقاً لمكان الاستخدام. إذا كان ذلك ضرورياً، فيرجى الاتصال بأقرب مركز صيانة معتمد لديك. الوصف أعلاه هو تعبير عام. للمعلومات بشأن تغيير اتجاه فتح الباب، ينبغي عليك الرجوع إلى ملصق التحذير الموجود على الجانب الداخلي في الباب.

5.31. مصباح الإضاءة

تُستخدم لمبات LED كلمبات إضاءة. اتصل بمركز خدمة معتمد في حالة وجود مشكلة مع هذا النوع من الإضاءة.

المصباح (المصابيح) المستخدمة في هذا الجهاز غير مناسبة للإضاءة في الغرف المنزلية. الغرض الأساسي لهذا المصباح هو مساعدة المستخدم لوضع أدوات الطعام في الثلاجة/المجمد بطريقة سهلة وأمنة

قم بغلي الخضروات وتصفيتها من الماء لحفظها لفترة أطول وهي متجمدة. بعد تصفية مياه الخضروات، ضعها في أغلفة محكمة ضد تسريب الهواء ثم ضعها في الفريزر. بعض الأطعمة مثل الموز والطماطم والخس والكرفس والبيض المسلوق والبطاطس غير مناسبة للتجميد. عند تجميد هذه الأطعمة، فإن قيمتها الغذائية ومذاقها يتأثران بشكل سلبي. ولا يجوز إتلافها حتى لا تمثل خطورة على صحة الأشخاص.

5.28. وضع الطعام

أرفف مقصورة الفريزر	طعام مجمد متنوع مثل اللحم والسّمك والأيس كريم والخضروات إلخ.
أرفف مقصورة الثلاجة	الطعام في معلبات وأطباق مغطاة وعلب مغلقة، بيض (في عبوات مغلقة).
أرفف باب مقصورة الثلاجة	طعام قليل أو مغلف أو مشروبات
مقصورة الطعام الطازج	الخضروات والفاكهة
درج المنطقة الطازجة	الأطعمة الحساسة (طعام الإفطار، اللحوم التي يجب استهلاكها خلال فترة قصيرة)

5.29. تحذير فتح الباب

(هذه الخاصية اختيارية)

يُسمع صوت تحذير عندما يكون باب صندوق الفريزر أو الثلاجة مفتوحاً لفترة زمنية معينة.. سيصمت هذا الصوت عند الضغط على أي زر على المؤشر أو عندما يتم إغلاق الباب.

يتم تنبيه المستخدم بأن الباب مفتوح بتحذير صوتي ومرئي. في حال استمرار التحذير لمدة 10 دقائق تغلق الإضاءة الداخلية.

5.25. تجميد الأطعمة الطازجة

- للحفاظ على جودة الأطعمة، فيجب تجميدها بأسرع ما يمكن عند وضعها في صندوق الفريزر، واستخدام خاصية التجميد السريع لهذا الغرض.
- ويمكنك تخزين الأطعمة لفترة أطول في صندوق الفريزر عند تجميدها وهي طازجة.
- قم بتغليف الأطعمة المطلوب تجميدها وأغلق الأغلقة بحيث لا تسمح بدخول الهواء.
- تأكد من تغليف الأطعمة قبل وضعها في الفريزر.
- استخدم أوعية مناسبة للفريزر ورقائق وورق مقاوم للرطوبة وأكياس بلاستيكية وغيرها من خامات التغليف بدلاً من أوراق التغليف العادية.
- قم بتمييز كل عبوة من خلال وضع تاريخ التجميد عليها. يمكنك التفريق بين درجة طزاجة كل عبوة من عبوات الطعام بهذه الطريقة عندما تفتح الفريزر في كل مرة. قم بتخزين الطعام المجمد السابق في الجانب الأمامي من الصندوق لضمان استهلاكه أولاً.
- يجب استهلاك الطعام المجمد مباشرة بعد إذابته، كما يجب عدم إعادة تجميده.
- لا تقم بتجميد كميات كبيرة من الطعام مرة واحدة في نفس الوقت.

5.26. توصيات المحافظة على الأطعمة المجمدة

يجب ضبط الصندوق على درجة حرارة 18° - م على الأقل.

1. توضع العبوات في الفريزر بأسرع ما يمكن بعد الشراء دون تركها حتى يذوب عنها التجمد.
2. تفحص ما إذا تم تجاوز تواريخ "يستخدم بحلول" و "صالح حتى" على العبوة أم لا قبل التجميد.
3. تأكد أن أغلفة الأطعمة غير تالفة.

5.27. معلومات عن التجميد

تبعاً لمواصفات IEC 62552، يمكن للجهاز تجميد 4.5 كجم من الطعام عند درجة حرارة 25° درجة مئوية إلى 18° - درجة مئوية أو أقل في خلال 24 ساعة لكل 100 لتر من حجم الفريزر.

يمكن الحفاظ على الطعام لفترة أطول فقط عند درجة حرارة 18° - درجة مئوية أو درجات حرارة أقل.

يمكنك الحفاظ على طعام طازج لشهور عديدة (عند درجة حرارة 18° - مئوية أو أقل في الديب فريزر).

يجب عدم ملامسة الأطعمة المزمع تجميدها للمواد المذابة سابقاً لمنع الإذابة الجزئية.

يقوم تجويف الفريزر بإزالة الثلج بشكل تلقائي.

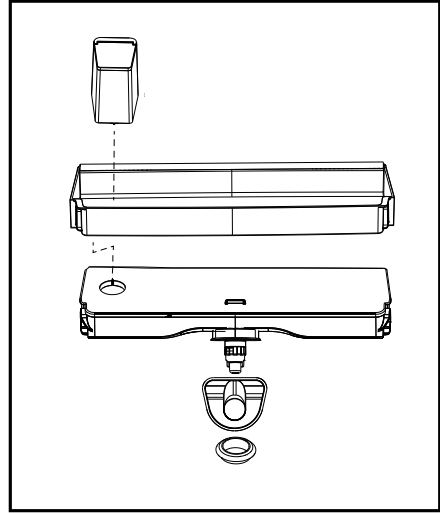
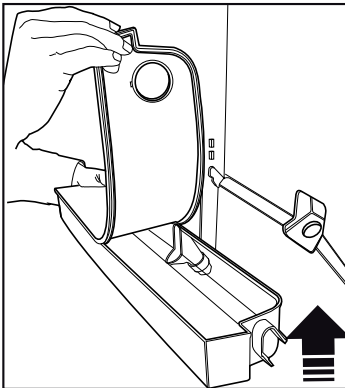
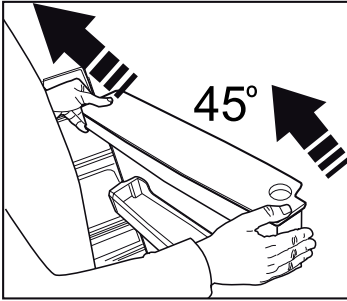
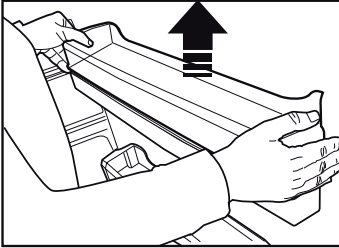
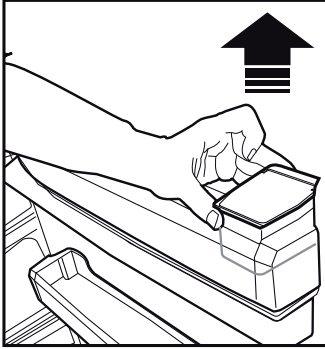


ملاحظات	إعداد صندوق التبريد	إعداد صندوق الفريزر
هذا هو الضبط الموصى به بشكل طبيعي.	4 درجات مئوية	18° - درجة مئوية
هذه هي إعدادات الضبط الموصى بها عندما تتجاوز درجة الحرارة المحيطة 30° درجة مئوية.	4 درجات مئوية	20° أو 22° - 24° - درجة مئوية
استخدم هذا عندما ترغب في تجميد الطعام في وقت قصير. سترجع الثلجة إلى وضعها السابق عندما تنتهي هذه العملية.	4 درجات مئوية	التجميد السريع
استخدم هذه الإعدادات إذا اعتقدت أن مقصورة الثلجة غير باردة بدرجة كافية بسبب الظروف المحيطة الساخنة أو الفتح المتكرر للأبواب أو إغلاقها، فيمكن الضبط على هذه القيم.	2 درجة مئوية	18° - درجة مئوية أو أقل

5.24. درج المياه

المياه التي تتساقط أثناء استخدام موزع المياه تتجمع في درج المياه.

اسحب الفلتر البلاستيكي كما يظهر في الشكل.
بقطعة قماش نظيفة وجافة، قم بإزالة المياه التي تراكمت.



5.21 استخدام موزع المياه

*اختياري

استخدم مياه الشرب النظيفة فقط.



سعة خزان المياه 3 لتر، لا تملأه على نحو مفرط.



من الطبيعي أن تكون أكواب المياه القليلة الأولى المأخوذة من وحدة التوزيع دافئة.



إذا لم يتم استخدام موزع المياه لفترة طويلة، فتخلص من أكواب المياه الأولى التي تحصل عليها من الماء العذب.



5.23 تنظيف خزان المياه

1. قم بفك صهريج تعبئة المياه داخل رف الباب.
2. قم بفك رف الباب بإمساكه من كلا الجانبين.
3. امسك خزان المياه من كلا الجانبين وقم بفكه بزاوية 45 درجة .
4. قم بإزالة غطاء خزان المياه وتنظيف الخزان.

يجب ألا يتم غسل أجزاء خزان المياه وموزع المياه في غسالة الأطباق.



1. اضغط على مزلاج صنوبر الماء بالكوب. إذا كنت تستخدم كوب بلاستيكي ضعيف، فدفع الصنوبر بيديك سيكون أسهل.
2. بعد تعبئة الكوب حتى المستوى الذي تريد، قم بتحريك الصنوبر.

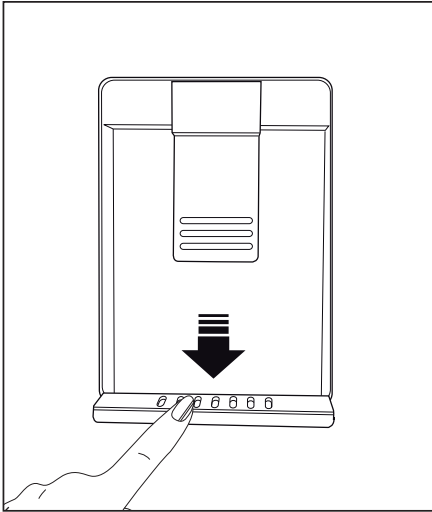
يرجي ملاحظة أن كمية تدفق المياه تعتمد على مدى وكلما ارتفع مستوى المياه في الكوب / الكأس، خفف كمية الضغط على المزلاج لتجنب زيادة التدفق. إذا ضغطت برفق على الذراع، سيقطر الماء، وهذا أمر طبيعي وليس عيباً.



5.22 تعبئة خزان توزيع المياه

- يوجد صهريج ملى خزان المياه بداخل رف الباب.
1. افتح غطاء الخزان.
 2. قم بتعبئة الخزان بمياه شرب نقية.
 3. أغلق الغطاء.

• لا تملأ خزان المياه بأى سائل آخر غير مياه الشرب والمشروبات مثل عصائر الفاكهة والمشروبات الغازية، أما المشروبات الكحولية فغير مناسبة للاستخدام في موزع المياه. سيتلف موزع المياه بشكل لا يمكن إصلاحه إذا تم استخدام هذا النوع من السوائل. ولا يشمل الضمان هذا النوع من الاستخدامات فبعض المواد الكيماوية والإضافات الموجودة في هذه السوائل/ المشروبات قد تتلف مواد خزان المياه.



5.20 وحدة صنع الثلج وصندوق تخزين الثلج

*اختياري

استخدام وحدة صنع الثلج

- أملء جهاز عمل الثلج بالمياه وضعه في مكانه. سيتم إعداد الثلج في حوالي ساعتين تقريباً. لا تخرج صندوق الثلج من مكانه لإخراج الثلج.
- أدر المقابض في صهرج الثلج باتجاه عقارب الساعة 90 درجة.

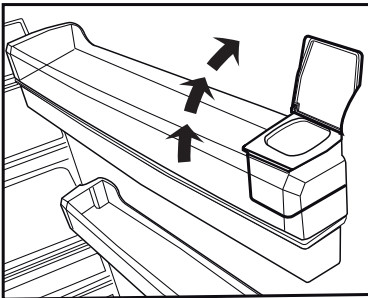
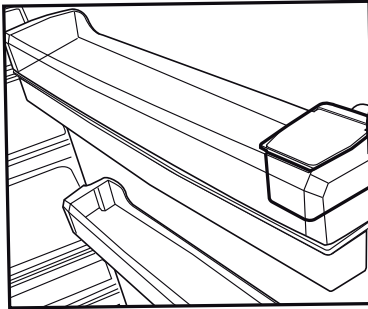
ستسقط مكعبات الثلج التي في المقصورة إلى خزان الثلج أدناه.

يمكن إخراج خزان الثلج وتقديم مكعبات الثلج.

يمكن الاحتفاظ بمكعبات الثلج في خزان الثلج إذا أردت.

رف تخزين الثلج

فخزان الثلج مخصص فقط لتجميع مكعبات الثلج. لا تضع ماء فيه. وإلا فينكسر.



5.19 استخدام موزع المياه

*اختياري

من الطبيعي أن تكون أكواب المياه القابلة الأولى المأخوذة من وحدة التوزيع دافئة.

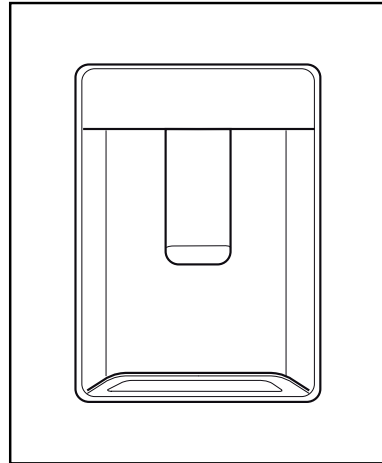


إذا لم يتم استخدام موزع المياه لفترة طويلة، فتخلص من أكواب المياه الأولى التي تحصل عليها من الماء العذب.



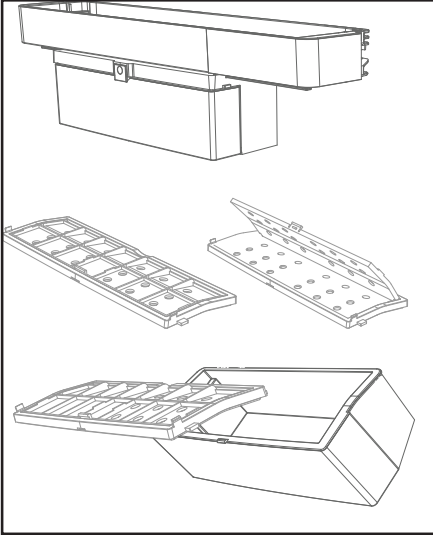
1. اضغط على مزلاج صنوبر الماء بالكوب. إذا كنت تستخدم كوب بلاستيكي ضعيف، فدفع الصنوبر بيديك سيكون أسهل.
2. بعد تعبئة الكوب حتى المستوى الذي تريد، قم بتحريك الصنوبر.

يرجي ملاحظة أن كمية تدفق المياه تعتمد على مدى وكلما ارتفع مستوى المياه في الكوب / الكأس، خفف كمية الضغط على المزلاج لتجنب زيادة التدفق. إذا ضغطت برفق على الذراع، سيقطر الماء، وهذا أمر طبيعي وليس عيباً.



5.18 منتج الأعشاب HerbBox/ HerbFresh

انزع مستوعب الشريط عن HerbBox/ HerbFresh
 أخرج الشريط من الكيس وضعه في مستوعب الشريط
 كما توضح الصورة.
 سد المستوعب بإحكام مرة أخرى وأعدّه إلى وحدة
 HerbBox/HerbFresh.
 تعتبر أجزاء HerbBox/HerbFresh + مثالية
 لتخزين مختلف أنواع الأعشاب المفترض أن تحفظ
 في ظروف خاصة.
 يمكنك تخزين أعشابك غير المحفوظة في أكياس
 (البقدونس، الثبت، الخ) في هذا الجزء أفقياً والحفاظ
 على نضارتها أطول فترة ممكنة.
 روهشتمسلكم ليلفلا لادبتسا بجير.



5.17 وصف فلتر الروائح وتنظيفه:

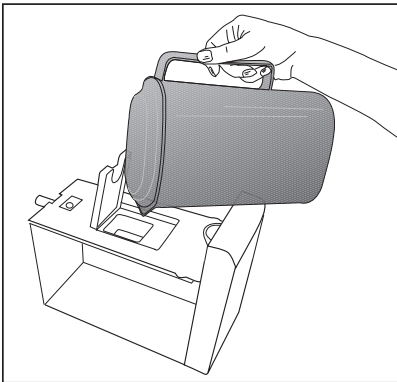
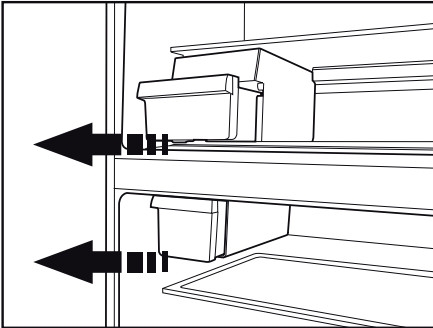
* اختياري

يمنع فلتر الروائح تراكم الروائح الكريهة
 داخل الثلاجة. اجذب الغطاء، الذي يتم فيه
 تركيب فلتر الروائح، لأسفل وأخرجه كما هو
 موضح في الشكل. اترك الفلتر تحت أشعة
 الشمس لمدة يوم. سيتم تنظيف الفلتر أثناء
 ذلك الوقت. قم بتركيب الفلتر في مكانه مره
 أخرى. يجب تنظيف فلتر الروائح مرة كل
 عام.

5.16 خاصية تكوين الثلج الأوتوماتيكية (هذه الخاصية اختيارية)

تسمح لك خاصية تكوين الثلج الأوتوماتيكية بصنع الثلج في الثلاجة بسهولة. قم بإزالة خزان المياه في مقصورة الثلاجة، واملأه بالمياه وقم بتكبيبه مرة أخرى للحصول على الثلجة من درج الثلج. ستكون أول مكعبات ثلجية جاهزة في خلال ساعتين تقريباً في درج الثلج الموجود في مقصورة الفريزر. إذا ملئت خزان المياه بالكامل، ستستطيع الحصول على حوالي 60-70 مكعب ثلجي. قم بتغيير المياه في خزان المياه إذا ظلت هناك لمدة 2-3 أسابيع.

للمنتجات التي بها خاصية تكوين الثلج الأوتوماتيكية، قد تسمع صوتاً أثناء صب الثلج. هذا الصوت صوتاً طبيعياً وليس علامة لوجود خطأ بالمنتج.



5.15 مقصورة الطعام الطازج المحكومة من حيث الرطوبة

(FreShelf)

(هذه الخاصية اختيارية)

مع خاصية درج التحكم بالرطوبة تظل معدلات الرطوبة للخضروات والفواكه تحت التحكم ويظل الطعام طازج لمدة أطول.

ننصحك بوضع الخضروات الورقية مثل الخس والسبانخ والخضروات الحساسة لفقدان الرطوبة في وضع أفقي قدر الإمكان في الدرج وليس على جذورها وبوضع رأسي.

أثناء وضع الخضروات يجب أن تأخذ في الاعتبار أن نضعها بوضع جاذبية معين. الخضروات الثقيلة والصلبة يجب وضعها في أسفل الدرج والخضروات الخفيفة والناعمة يجب أن توضع بالأعلى.

لا تترك الخضروات أبداً داخل الدرج في أكياسها. إذا تركت الخضروات في أكياسها، سيتسبب هذا في تحللها في فترة قصيرة. في حالة تلامس الخضروات ببعضها وهو أمر غير صحي، استخدم ورق مثقوب أو أي مادة أخرى مشابهة من مواد التغليف بدلاً من الأكياس.

لا تضع الكمثرى والمشمش والخوخ وغيرها معاً في نفس الدرج مع الخضار والفواكه الأخرى، وعلى وجه الخصوص التفاح والذي به مستوى عال من توليد غاز الإيثيلين. غاز الإيثيلين الذي ينبعث من هذه الفاكهة قد يتسبب في نضج الفاكهة الأخرى بشكل أسرع والتحلل في وقت أقل.

5.12. تحريك رف الباب

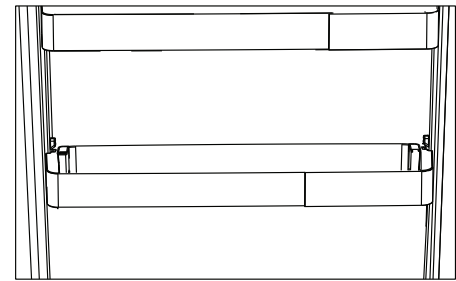
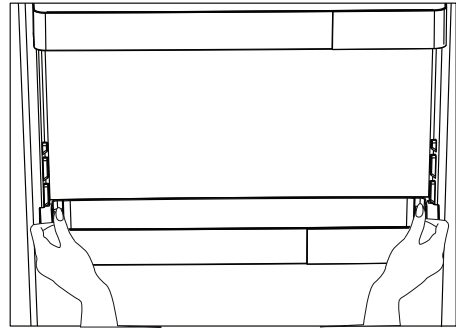
(هذه الخاصية اختيارية)

يمكن تثبيت رف الباب المتحرك على 3 مواضع مختلفة.

اضغط الأزرار الموضحة في الجوانب في نفس الوقت لتحريك الرف. يجب أن يكون الرف قابلاً للحركة.

حرك الرف لأعلى أو لأسفل.

اترك الأزرار عند ضبط الرف في الوضع المرغوب. يجب تثبيت الرف على الوضع عند ترك الأزرار.

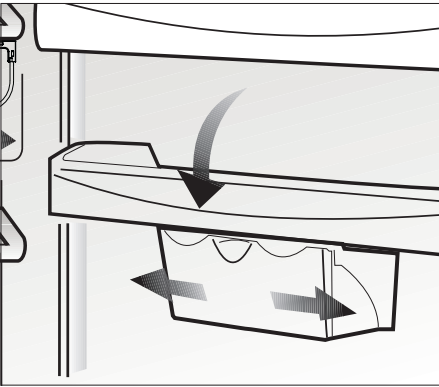


5.13. مقصورات التخزين المائلة

(هذه الخاصية اختيارية)

تم تصميم هذا الملحق للاستفادة من حجم أرفف الباب بشكل أكثر كفاءة.

فهو يسمح لك بوضع الزجاجات الطويلة والمرطبات والعلب في صف الزجاجات السفلي بفضل قدرته على الحركة لليمين أو اليسار.



5.14. مصباح أزرق

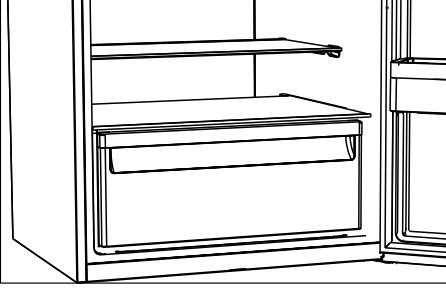
(هذه الخاصية اختيارية)

تم تصميم هذا الملحق للاستفادة من حجم أرفف الباب بشكل أكثر كفاءة.

فهو يسمح لك بوضع الزجاجات الطويلة والمرطبات والعلب في صف الزجاجات السفلي بفضل قدرته على الحركة لليمين أو اليسار.

5.10 مقصورة الطعام الطازج

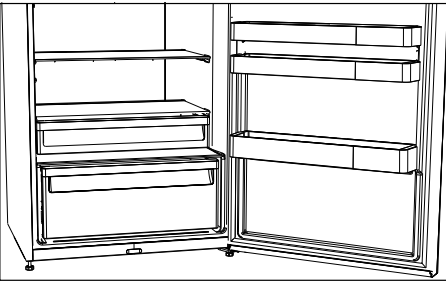
صممت مقصورة الطعام الطازج بالتلاجة خصيصاً بحيث تحتفظ بالخضروات طازجة دون فقدان رطوبتها. لهذا الغرض، تكون دورة الهواء البارد مكثفة حول الدرج بوجه عام.



5.11 حيز التبريد

(هذه الخاصية اختيارية)

استخدم هذا الحيز لتخزين الأطعمة الحساسة التي يجب حفظها في درجة حرارة منخفضة أو منتجات اللحوم التي ترغب في استهلاكها خلال فترة قصيرة. مقصورة التبريد هي أبرد مكان في ثلاجتك، حيث يمكنك الاحتفاظ بمنتجات الألبان، واللحوم، والأسماك، والدواجن في ظروف التخزين المثالية. لا ينبغي تخزين الفواكه في هذه المقصورة.



5.7 حاوية الثلج

- قم بإزالة حاوية الثلج من مقصورة الفريزر.
- قم بتعبئة حاوية الثلج بالمياه.
- ضع حاوية الثلج في مقصورة الفريزر. وبعد ساعتين، سيكون الثلج جاهزاً.
- قم بإزالة حاوية الثلج من مقصورة الفريزر وقم بثنيتها على لوحة الخدمة. ستسقط مكعبات الثلج بسهولة في لوحة الخدمة.

5.8 حامل البيض

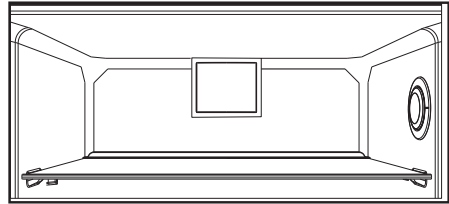
يمكن تركيب حامل البيض بالباب المطلوب أو رف الجسم. إذا كان سيتم وضعه على أرفف الجسم فعنها يوصى بالأرفف ذات أقل تبريد.

لا تضع حامل البيض في مقصورة الفريزر أبداً.



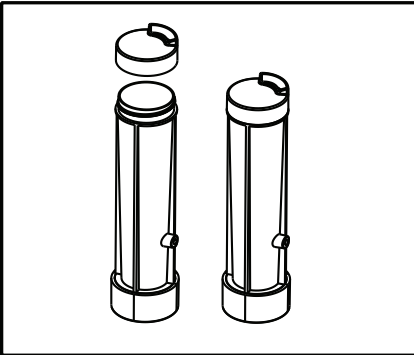
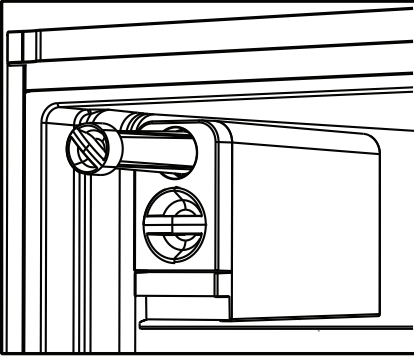
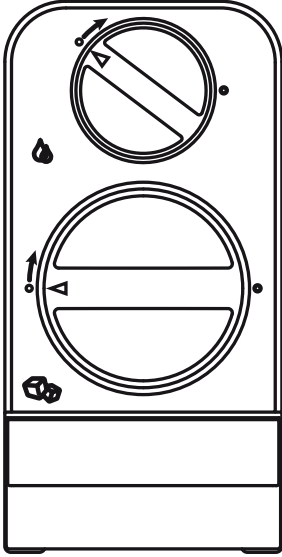
5.9 المروحة

تم تصميم المروحة لضمان التوزيع المتناسق وتدوير الهواء في شكل متناغم داخل التلاجة. وقد تختلف فترة تشغيل المروحة حسب خصائص جهازك. أثناء تشغيل المروحة فقط مع الضاغط في بعض المنتجات، يحدد نظام التحكم وقت التشغيل في بعض المنتجات وفقاً لمتطلبات التبريد.



5.6 الثلج - جهاز عمل الثلج (هذه الخاصية اختيارية)

- اخلع خزان الماء من خلال تدويره لليسار.
- افتح غطاء خزان الماء من خلال تدويره وأضف الماء إلى خزان الماء حتى الجزء السفلي من غطاء خزان الماء.
- ضع خزان الماء في موضعه كما هو موضح في الشكل بعد إضافة الماء، وقم بتثبيتته من خلال تدويره في اتجاه السهم. يجب صب الماء لأسفل على قاعدة الثلج.
- بعد أن يتكون الثلج، أدر مقبض قاعدة الثلج في اتجاه السهم للسماح للثلج بالسقوط في درج الثلج.
- استخرج مكعبات الثلج من خلال سحب درج الثلج للخارج.
- اسحب الواجهة الأمامية تجاهك لغسل قاعدة الثلج، ثم ضعها على القضبان الانزلاقية على النطاق الداخلي واضغطها في موضعها لتركيبها في مكانها.
- اسحب وحدة إعداد الثلج تجاهك لإزالة الوحدة، ثم ضعها على القضبان الانزلاقية على النطاق العلوي واضغطها في موضعها لتركيبها في مكانها.



5. ضبط درجة حرارة مقصورة التبريد

عند الضغط على الزر رقم (5)، يمكنك ضبط درجة حرارة مقصورة التبريد على 8 و 7 و 6 و 5 و 4 و 3 و 2 و 1 بالتتابع (🔼).

6. وظيفة توفير الطاقة (الشاشة مطفأة):

يضيء رمز توفير الطاقة (🔼) ويتم تفعيل وظيفة توفير الطاقة عندما تضغط على هذا الزر (🔼). إذا تم تفعيل وظيفة توفير الطاقة، يتم إيقاف جميع الرموز على الشاشة بخلاف رمز الطاقة. عند تنشيط وضع توفير الطاقة، إذا تم الضغط على زر أو إذا تم فتح الباب، يتم إلغاء وضع توفير الطاقة وستعود كل الرموز على الشاشة للوضع الطبيعي. ينطفئ رمز توفير الطاقة ويتم إيقاف فعالية وظيفة توفير الطاقة عندما تضغط على هذا الزر (🔼) مرة أخرى.

7. قفل المفتاح

اضغط على زر قفل المفتاح (🔒) في نفس الوقت لمدة 3 ثوانٍ. رمز قفل المفتاح

(🔒) يضيء ويتم تفعيل وضع قفل المفتاح. لن تعمل الأزرار إذا كان وضع قفل المفتاح نشطاً. اضغط على زر قفل المفتاح في نفس الوقت لمدة 3 ثوانٍ. ينطفئ زر قفل المفتاح ويتم الخروج من وضع قفل المفتاح. اضغط على زر **key lock** (قفل المفتاح) إذا أردت منع تغيير إعدادات درجة الحرارة الخاصة بالتلاجة (🔒).

8. الاستخدام الاقتصادي

اضغط واستمر بالضغط على زر **eco fuzzy** (الاستخدام الاقتصادي) لمدة ثانية واحدة لتفعيل وظيفة الاستخدام الاقتصادي. سيبدأ تشغيل التلاجة في أقصى وضع اقتصادي بعد مرور 6 ساعات تقريباً وسيتم تشغيل مؤشر الاستخدام الاقتصادي عند تنشيط الوظيفة (🔍). اضغط واستمر بالضغط على زر وظيفة **eco fuzzy** (الاستخدام الاقتصادي) لمدة 3 ثوانٍ لإيقاف فعالية وظيفة الاستخدام الاقتصادي. يضيء هذا المؤشر بعد 6 عند تفعيل وظيفة الاستخدام الاقتصادي.

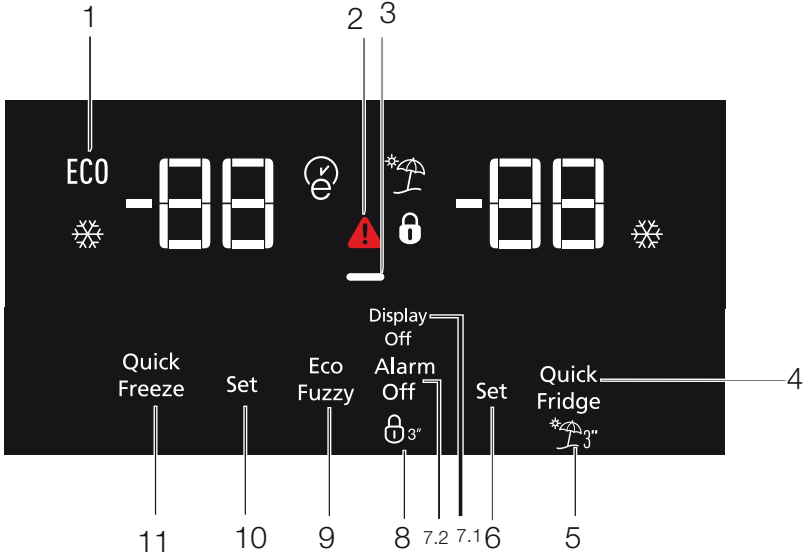
9. ضبط درجة حرارة صندوق الفريزر

يتم ضبط درجة حرارة صندوق الفريزر من هنا. عند الضغط على الزر رقم 9، يمكنك ضبط درجة حرارة صندوق الفريزر على 18- و 19- و 20- و 21- و 22- و 23- و 24- بالتتابع.

10. التجميد السريع

اضغط على الزر رقم (10) لتشغيل التجميد السريع، ويتم تفعيل مؤشر التجميد السريع (❄️).

يضيء مؤشر التجميد السريع عند تفعيل وظيفة التجميد السريع ويظهر مؤشر درجة حرارة مقصورة التبريد بقيمة 27-. لإلغاء هذه الوظيفة، اضغط على زر التجميد السريع (❄️) مرة أخرى. ينطفئ مؤشر التجميد السريع وتعود التلاجة إلى إعداداتها العادية. يتم إلغاء وظيفة التجميد السريع وأتوماتيكياً خلال ساعة واحدة إذا لم تقم بإلغائها قبل ذلك. إذا كنت ترغب في تجميد كميات كبيرة من الطعام الطازج، فاضغط على زر **quick freeze** (التجميد السريع) قبل وضع الطعام في صندوق التجميد.



1. التوفير

قبل ذلك، إذا أردت تبريد كمية كبيرة من الطعام الطازج يرجى الضغط على زر Quick cooling (التبريد السريع) قبل وضع الطعام في صندوق التبريد.

يضئ هذا الرمز عند ضبط مقصورة الفريزر على 18- درجة مئوية والتي هي أقصى إعداد للتوفير (ECO). يتوقف الاستخدام الاقتصادي عند تحديد وظائف التبريد السريع أو التجميد السريع.

2. مؤشر درجة الحرارة المرتفعة / التحذير بوقوع خطأ

4. وظيفة الأجازات
لتفعيل وظيفة الأجازات، اضغط على الزر رقم (4) () لمدة 3 ثوان، فيتم تفعيل مؤشر وضع الأجازات. عند تنشيط وظيفة الأجازة، تظهر العلامة "- -" على مؤشر درجة حرارة مقصورة الثلجة ولا يتم التبريد داخل مقصورة الثلجة. في هذه الوظيفة، من غير المناسب الاحتفاظ بالطعام في مقصورة الثلجة عند تفعيلها. ستستمر المقصورات الأخرى في البرودة وفقاً لدرجات الحرارة المضبوطة لها.

يضئ المؤشر (⚠) في حالة أعطال درجة الحرارة المرتفعة والتحذير بوقوع أخطاء. برجاء الرجوع إلى قسم "استكشاف الأعطال وإصلاحها" في الدليل إذا لاحظت أن المؤشر لا يضيء.

3. التبريد السريع

لإلغاء هذا الوظيفة، اضغط على زر Vacation (وظيفة الأجازات) مرة أخرى.

يضئ مؤشر التبريد السريع (❄) عند تفعيل وظيفة التبريد السريع وتظهر قيمة مؤشر درجة حرارة مقصورة الثلجة بقيمة 1. لإلغاء هذه الوظيفة، اضغط زر التبريد السريع مرة أخرى. ينطفئ مؤشر التبريد السريع وتعود الثلجة إلى إعداداتها العادية. يتم إلغاء وظيفة التبريد السريع أوتوماتيكياً خلال ساعة واحدة إذا لم تقم بإلغائها

*اختياري: إن الأشكال الواردة في هذا الدليل عبارة عن رسومات بيانية وقد لا تتطابق تماماً مع المنتج. إذا لم تكن هذه القطع واردة في هذا الجهاز الذي اشتريته، فهذا يعني أن هذه الأجزاء مناسبة لأنواع أخرى.



11. زر التجميد السريع "Quick freeze"**مفتاح تشغيل-إيقاف التجميد**

اضغط على هذا الزر لفترة قصيرة لتنشيط أو تعطيل وظيفة التجميد السريع. عند تفعيلك لهذه الوظيفة، سيتم تبريد مقصورة الفريزر إلى درجة حرارة أقل من القيمة المحددة. (🔌)

لتنشيط أو تفعيل صنع الثلج اضغط واستمر بالضغط عليه لمدة 3 ثوان.

استخدم وظيفة التجميد السريع، قم بتنشيطها عندما تحتاج لتجميد الطعام الموضوع في مقصورة الثلجة سريعا. إذا أردت تجميد كمية كبيرة من الطعام، يوصى بتنشيط هذه الميزة قبل وضع الطعام في الثلجة.



إذا لم يتم إبعاده، ستلغى وظيفة التجميد السريع نفسها تلقائيا بعد مرور 4 ساعات أو عندما تصل درجة الحرارة مقصورة الثلجة إلى الدرجة المطلوبة.



لن يتم استدعاء هذه الوظيفة عندما يتم استعادة التيار الكهربائي بعد انقطاعه.

**12. مؤشر الاستخدام الاقتصادي**

يشير إلى أن الثلجة في وضع موفر للطاقة. (eco) يكون هذا المؤشر نشطا إذا تم ضبط الوظيفة على درجة حرارة من 0 إلى -18 درجة مئوية أو كانت وظيفة التبريد الموفرة للطاقة تعمل نتيجة لوظيفة التوفير الإضافي. Eco-Extra .

يتوقف مؤشر الاستخدام الاقتصادي عند تحديد وظائف التبريد السريع أو التجميد السريع.



7. قفل المفتاح

اضغط على زر قفل المفتاح (Ⓚ) في نفس الوقت لمدة 3 ثوانٍ. رمز قفل المفتاح

(Ⓚ) يضيء ويتم تفعيل وضع قفل المفتاح. لن تعمل الأزرار إذا كان وضع قفل المفتاح نشطاً. اضغط

على زر قفل المفتاح في نفس الوقت لمدة 3 ثوانٍ. سيطفاً رمز قفل المفتاح وسيتم إلغاء تنشيط وضع قفل المفتاح.

اضغط على زر **key lock** (قفل المفتاح) إذا أردت منع تغيير إعدادات درجة الحرارة الخاصة بالثلاجة (Ⓚ).

8. الاستخدام الاقتصادي

اضغط واستمر بالضغط على زر **eco fuzzy**

(الاستخدام الاقتصادي) لمدة ثانية واحدة لتفعيل

وظيفة الاستخدام الاقتصادي. سيبدأ تشغيل الثلاجة في أقصى وضع اقتصادي بعد مرور 6 ساعات تقريباً

وسيتم تشغيل مؤشر الاستخدام الاقتصادي عند تنشيط الوظيفة (Ⓚ). اضغط واستمر بالضغط على زر

وظيفة **eco fuzzy** (الاستخدام الاقتصادي) لمدة 3 ثوانٍ لإيقاف فعالية وظيفة الاستخدام الاقتصادي.

يضيء هذا المؤشر بعد 6 عند تفعيل وظيفة الاستخدام الاقتصادي.

9. زر ضبط درجة حرارة مقصورة الفريزر

اضغط على هذا الزر لضبط درجة حرارة مقصورة

الفريزر على 18-، 19-، 20-، 21-، 22-، 23-، 24-،

على الترتيب. اضغط على هذا الزر لضبط درجة حرارة مقصورة الفريزر على القيمة المطلوبة. (Ⓚ)

10. مؤشر إيقاف تكوين الثلج

يشير ما إذا كان مقصورة الثلج قيد التشغيل أو

الإيقاف. يشير هذا الرمز (Ⓚ) إلى أن مقصورة

الثلج ليست قيد التشغيل. لتشغيل مقصورة الثلج مرة

أخرى اضغط واستمر بالضغط على زر تشغيل-إيقاف لمدة 3 ثوانٍ.

سيتوقف تدفق المياه من خزان المياه عندما يتم اختيار هذه الوظيفة. ومع ذلك، يمكن إخراج الثلج الموجود من وحدة التوزيع.



استخدم وظيفة التجميد السريع عندما تحتاج لتجميد الطعام الموضوع في مقصورة الثلاجة سريعاً. إذا أردت تبريد كمية كبيرة من الطعام الطازج، يوصى بتنشيط هذه الميزة قبل وضع الطعام في الثلاجة.



إذا لم يتم إلغاؤها، ستلغي وظيفة التبريد السريع نفسها تلقائياً بعد مرور 8 ساعات أو عندما تصل درجة حرارة مقصورة الثلاجة إلى الدرجة المطلوبة.



إذا ضغطت على زر التبريد السريع بشكل متكرر لفترات قصيرة، سيتم تنشيط حماية الدائرة الإلكترونية ولن يبدأ تشغيل الضاغط فوراً.



لن يتم استدعاء هذه الوظيفة عندما يتم استعادة التيار الكهربائي بعد انقطاعه.



4. زر ضبط درجة حرارة مقصورة الثلاجة

اضغط على هذا الزر لضبط درجة حرارة مقصورة الثلاجة على 8، 7، 6، 5، 4، 3، 2، 8...

بالترتيب. اضغط على هذا الزر لضبط درجة حرارة مقصورة الثلاجة على القيمة المطلوبة. (Ⓚ)

5. وظيفة الإجازات

بهدف تفعيل وظيفة العطللة، اضغط على الزر (Ⓚ) لمدة 3 ثوانٍ، وسيبدأ بعدها مؤشر وضع العطللة بالعمل. عند تنشيط وظيفة الإجازة، تظهر العلامة "-"

"- على مؤشر درجة حرارة مقصورة الثلاجة ولا يتم التبريد داخل مقصورة الثلاجة. في هذه الوظيفة، من غير المناسب الاحتفاظ بالطعام في مقصورة الثلاجة عند تفعيلها. ستستمر المقصورات الأخرى في البرودة وفقاً لدرجات الحرارة المضبوطة لها.

لإلغاء هذا الوظيفة، اضغط على زر وظيفة الإجازة / Vacation مرة أخرى.

6. إلغاء التحذير:

في حال إنقطاع التيار الكهربائي/ تحذير من درجة الحرارة المرتفعة، بعد التحقق من الطعام الموجود في مقصورة الثلاجة اضغط على زر الانذار (Ⓚ) لمسح التحذير.

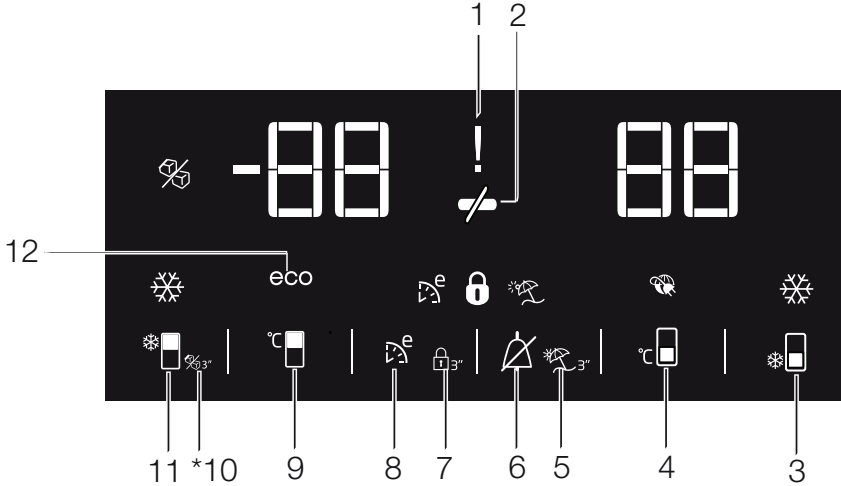
في حالة إنقطاع التيار الكهربائي/ تحذير من درجة الحرارة المرتفعة، بعد التحقق من الطعام الموجود في مقصورة الثلاجة اضغط على زر الانذار (Ⓚ) لمسح التحذير.

في حالة إنقطاع التيار الكهربائي/ تحذير من درجة الحرارة المرتفعة، بعد التحقق من الطعام الموجود في مقصورة الثلاجة اضغط على زر الانذار (Ⓚ) لمسح التحذير.

في حالة إنقطاع التيار الكهربائي/ تحذير من درجة الحرارة المرتفعة، بعد التحقق من الطعام الموجود في مقصورة الثلاجة اضغط على زر الانذار (Ⓚ) لمسح التحذير.

5.5. لوحة المؤشر

تسمح لك لوحة المؤشر بضبط درجة الحرارة والتحكم في الوظائف الأخرى المتعلقة بالجهاز بدون فتح باب الجهاز. فقط اضغط على الكلمات على الأزرار المعنية لإعدادات الوظائف.



1. انقطاع الكهرباء/مؤشر درجة الحرارة المرتفعة / التحذير بوقوع خطأ

يضيء المؤشر (⚡) في حالة أعتال درجة الحرارة المرتفعة، انقطاع الكهرباء والتحذير بوقوع أخطاء. خلال انقطاع التيار الكهربائي المستمر، تظهر أعتال درجة الحرارة المرتفعة على شاشة العرض الرقمية لمقصورة الفريزر. بعد التحقق من الطعام الموجود في مقصورة الثلجة (❄️) اضغط على زر الانذار لإلغاء التحذير.

2. وظيفة توفير الطاقة (الشاشة مطفاة):

يتم تشغيل وظيفة توفير الطاقة تلقائياً ويتم تفعيل رمز توفير الطاقة في حال ظلت ابواب الثلجة مفتوحة لفترة طويلة. (⚡)

حينما تكون وظيفة توفير الطاقة قيد التفعيل، يتم إطفاء جميع الرموز على الشاشة. عند تفعيل وظيفة توفير الطاقة، إذا تم الضغط على أي مفتاح أو تم فتح الباب، سيتم الخروج من وظيفة توفير الطاقة وستعود

الأيقونة على الشاشة إلى الوضع الطبيعي.

يتم تنشيط وظيفة توفير الطاقة أثناء التسليم من المصنع ولا يمكن أن تلغى.

3. وظيفة التبريد السريع

لهذا الزر وظيفتين. اضغط على هذا الزر لفترة قصيرة لتنشيط أو تعطيل وظيفة التبريد السريع. ينطفئ مؤشر التبريد السريع وتعود الإعدادات إلى الوضع الطبيعي. (❄️)

*اختياري: إن الأشكال الواردة في هذا الدليل عبارة عن رسومات بيانية وقد لا تتطابق تماماً مع المنتج. إذا لم تكن هذه القطع واردة في هذا الجهاز الذي اشتريته، فهذا يعني أن هذه الأجزاء مناسبة لأنواع أخرى.



- 1. مؤشر مقصورة الثلجة**

يومض ضوء مقصورة الثلجة عند تعديل درجة حرارة مقصورة الثلجة.
- 2. مؤشر حالة الخطأ**

إذا لم تعمل ثلاجتك بتبريد كاف أو في حالة عطل في المستشعر، سيتم تفعيل هذا المؤشر. عندما يتم تنشيط هذا المؤشر، يعرض مؤشر درجة حرارة مقصورة الفريزر "E" ويعرض مؤشر درجة حرارة مقصورة الثلجة أرقامًا مثل "1 و 2 و 3...". توفر تلك الأرقام الموجودة على المؤشر معلومات حول الخطأ بالنسبة لموظفي الخدمة.
- 3. مؤشر درجة الحرارة**

يشير إلى درجة حرارة الفريزر، ومقصورة الثلجة.
- 4. زر وظيفة الأجازات**

اضغط على زر الإجازات لمدة 3 ثوانٍ لتنشيط هذه الوظيفة. عند تنشيط وظيفة الأجازة، تظهر العلامة "-". على مؤشر درجة حرارة مقصورة الثلجة ولا يتم التبريد داخل مقصورة الثلجة. في هذه الوظيفة، من غير المناسب الاحتفاظ بالطعام في مقصورة الثلجة عند تفعيلها. ستستمر المقصورات الأخرى في البرودة وفقاً لدرجات الحرارة المضبوطة لها.

لإلغاء هذا الوظيفة، اضغط على زر الأجازة Vacation مرة أخرى.
- 5. زر ضبط درجة الحرارة**

تغيير درجة الحرارة للمقصورة ذات الصلة بين -24 درجة مئوية و -18 درجة مئوية.
- 6. مفتاح تحديد المقصورة**

زر التحديد: اضغط على مفتاح تحديد المقصورة للتبديل بين مقصورة الثلجة والفريزر.
- 7. مؤشر مقصورة الفريزر**

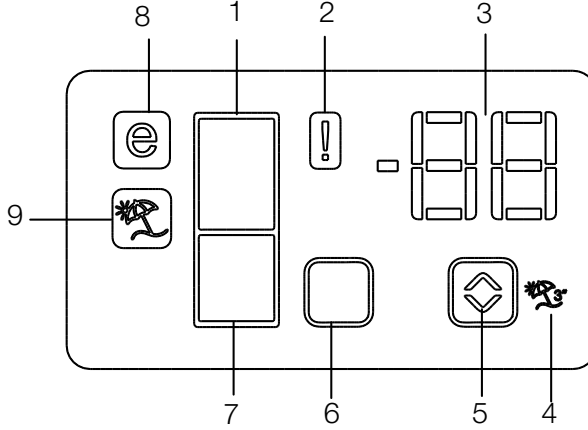
يومض ضوء مقصورة الثلجة عند تعديل درجة حرارة مقصورة الثلجة.
- 8. مؤشر الوضع الاقتصادي**

يشير إلى أن الثلجة تعمل بوضع حفظ الطاقة. سيتم تفعيل هذه الشاشة إذا تم ضبط درجة حرارة مقصورة الفريزر عند -18 درجة مئوية.
- 9. مؤشر وظيفة الإجازة**

يشير إلى أنه قد تم تفعيل وظيفة الأجازة

5.4 لوحة المؤشر

قد تختلف لوحات المؤشر وفقاً لموديل المنتج الخاص بك.
الصوت - الوظائف البصرية على لوحة المؤشر تساعدك على استخدام جهازك.



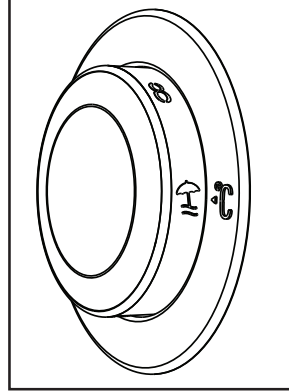
1. مؤشر مقصورة الثلجة
 2. مؤشر حالة الخطأ
 3. مؤشر درجة الحرارة
 4. زر وظيفة الأجازات
 5. زر ضبط درجة الحرارة
 6. مفتاح تحديد المقصورة
 7. مؤشر مقصورة الفريزر
 8. مؤشر الوضع الاقتصادي
 9. مؤشر وظيفة الإجازة
- *اختياري

*اختياري: إن الأشكال الواردة في هذا الدليل عبارة عن رسومات بيانية وقد لا تتطابق تمامًا مع المنتج. إذا لم تكن هذه القطع واردة في هذا الجهاز الذي اشتريته، فهذا يعني أن هذه الأجزاء مناسبة لأنواع أخرى.



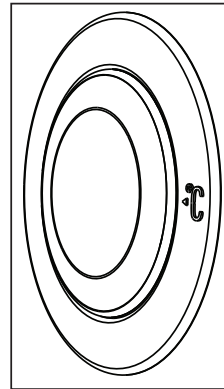
5.3. وظيفة الأجزاء

إذا لم يتم فتح أبواب المنتج لمدة 12 ساعة بعد ضبط مفتاح التحكم في درجة الحرارة على أعلى وضع درجة حرارة، فسيتم تشغيل وظيفة الأجزاء تلقائياً. لإلغاء الوظيفة، قم بتغيير إعداد المفتاح.



لا ينصح بتخزين الطعام أثناء تفعيل خاصية الأجزاء.

- عند الانتهاء من عملية الإعداد، يمكنك الضغط على مفتاح التحكم في درجة الحرارة وإخفاؤه.



*اختياري: إن الأشكال الواردة في هذا الدليل عبارة عن رسومات بيانية وقد لا تتطابق تمامًا مع المنتج. إذا لم تكن هذه القطع واردة في هذا الجهاز الذي اشتريته، فهذا يعني أن هذه الأجزاء مناسبة لأنواع أخرى.

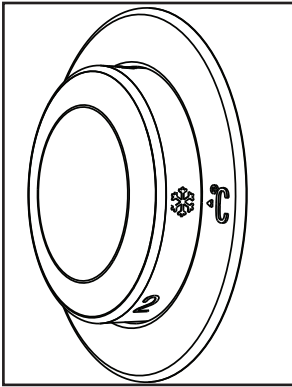


5.2. التجميد السريع

في حالة تجميد كميات كبيرة من الأطعمة الطازجة، اضبط مفتاح التحكم على الوضع (❄️) بفترة 24 ساعة قبل وضع الأطعمة الطازجة في صندوق التجميد السريع.

يوصى بشدة أن يتم بالإبقاء على المفتاح في هذا الوضع لمدة 24 ساعة لتجميد أكبر كمية من الأطعمة الطازجة المسموح بها حسب سعة التجميد. توخ الحذر جيداً لعدم خلط الأطعمة المجمدة بالأطعمة الطازجة.

تذكر أن تدير مفتاح التحكم في درجة الحرارة إلى موضعه السابق بمجرد تجميد الطعام.



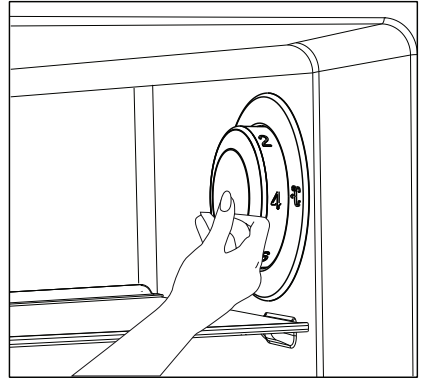
5.1. زر ضبط درجة الحرارة

تتغير درجة حرارة الثلاجة للأسباب التالية:

- درجات الحرارة الموسمية
- فتح باب الثلاجة بشكل متكرر وتركه مفتوحاً لفترات طويلة،
- الطعام الذي تم وضعه في الثلاجة بدون تبريده إلى درجة حرارة الغرفة،
- مكان الثلاجة في الغرفة (مثل التعرض لأشعة الشمس).
- يمكنك ضبط درجة حرارة الثلاجة المتغيرة لهذه الأسباب بواسطة زر الضبط.

الأعداد الموضحة حول مفتاح التحكم توضح قيم درجة الحرارة بالدرجة المئوية "°C".

إذا كانت درجة الحرارة المحيطة 25°م، فإننا ننصحك باستخدام مفتاح التحكم في درجة الحرارة لثلاجتك وضبطه على 4°م. ويمكن زيادة أو خفض هذه القيمة حسب ما تقتضيه درجة الحرارة المحيطة.

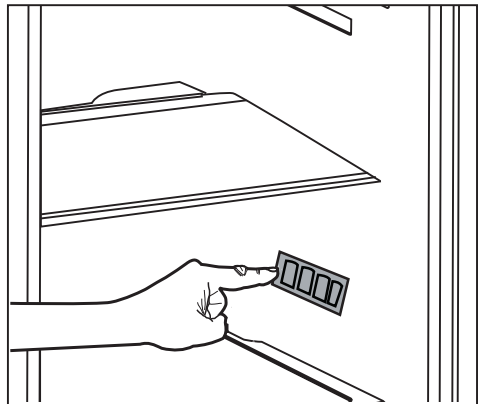


4.1. أشياء يجب عملها لتوفير الطاقة

بعد توصيل الجهاز بأنظمة توفير الطاقة الكهربائية أمرًا خطيرًا حيث قد يتسبب في تلف الجهاز.



- لا تترك أبواب الثلاجة مفتوحة لفترة طويلة.
- لا تضع الأطعمة أو الخضروات الساخنة في الثلاجة.
- لا تفرط في وضع الأطعمة في الثلاجة، حيث يتسبب ذلك في تقليل قدرة التبريد عند منع تدوير الهواء بالداخل.
- لتخزين أكبر قدر ممكن من الأطعمة في حيز الفريزر، فإن صندوق الثلج الموجود في حيز الفريزر يمكن فكه يدويًا بسهولة وسحبه للخارج. تم قياس واختبار قيم الحجم الصافي واستهلاك الطاقة الموضحة في لوحة بيانات الطاقة لثلاجتك في ظل إزالة صندوق الثلج. لا تخلص الأرفف الموجودة في حيز الفريزر وعلى باب حيز الفريزر، ويجب استخدامها بشكل دائم لضمان سهولة الاستخدام وكفاءة استغلال الطاقة.
- لا يجوز إعاقة تدفق الهواء من خلال وضع الأطعمة على جوانب مروحة حيز الفريزر. يجب توافر مسافة لا تقل عن 3 سم على جوانب غطاء المروحة الواقية.
- حسب الخصائص المتوفرة في جهاز، فإن إذابة الطعام المجمد في مقصورة الجهاز يوفر الطاقة ويحفظ جودة الطعام.
- يجب استخدام السلال/الجوارير التي تزود مع حجرة التبريد دائما لتقليل استهلاك الطاقة ومن أجل ظروف تخزين أفضل.
- إن احتكاك الطعام مع مجس درجة الحرارة في حجرة المجمد قد يزيد من استهلاك الطاقة في الجهاز. لذا يجب تجنب الاحتكاك مع المجس.
- لا تسمح للأطعمة بلامسة مستشعر درجة حرارة حيز التجميد الموضح في الشكل أدناه.



4.2. الاستخدام للمرة الأولى

قبل البدء في تشغيل ثلاجتك، تأكد من القيام بجميع الأعمال التحضيرية حسب الإرشادات الموضحة في أقسام "إرشادات الأمان والبيئة" و "التركيب".

- قم بتشغيل الجهاز دون وضع أي أطعمة بداخلها لمدة 6 ساعات ولا تقم بفتح الباب ما لم تكن هناك ضرورة.

سوف تسمع ضوضاء عند بدء عمل جهاز ضغط الهواء. قد تؤدي السوائل والغازات المتسربة من نظام التبريد إلى إحداث ضوضاء، حتى إن كان جهاز ضغط الهواء لا يعمل وهذا أمر طبيعي.



قد يكون ملمس الحواف الأمامية للجهاز دافئًا. هذا شيء طبيعي. حيث تم تصميم هذه المناطق حتى تكون دافئة تجنبًا للتكاثف.

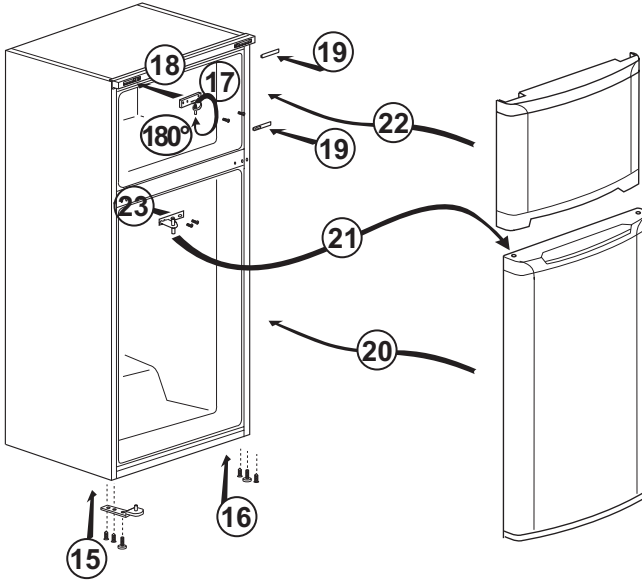
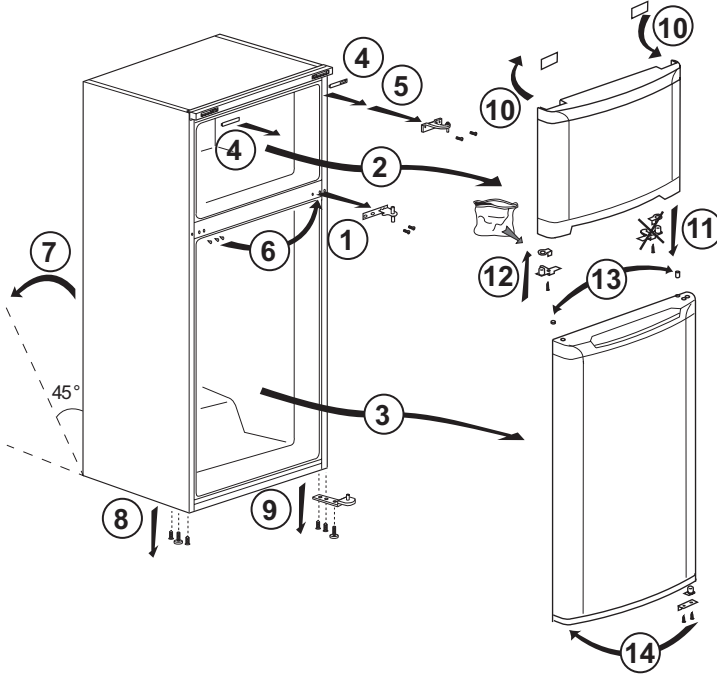


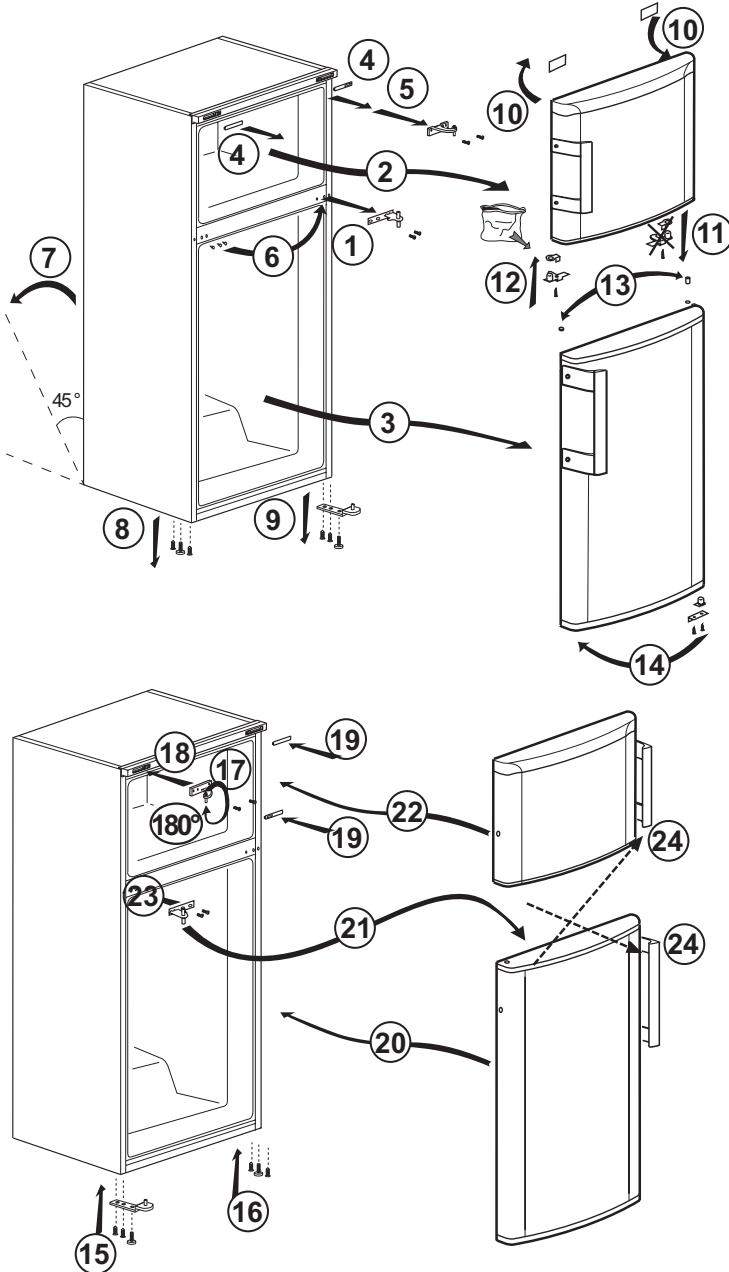
في بعض الموديلات، تتوقف لوحة الأدوات 5 دقائق بعد إغلاق الباب. سيتم إعادة تفعيلها عند فتح الباب أو الضغط على أي مفتاح.






3.5 عكس الأبواب


اتبع الترتيب الرقمي





<p>تحذير: لا تقم بعمل الوصلات من خلال كابلات إطالة أو قوابس متعددة.</p>	
<p>تحذير: يجب أن يقوم مندوب خدمة معتمد باستبدال كابل الطاقة التالف.</p>	
<p>إذا كنت بصدد تركيب مبردين جنباً إلى جنب، يجب المباعدة بينهما بمسافة 4 سم على الأقل.</p>	

- لن تكون شركتنا مسؤولة عن أي تلف يحدث نتيجة استخدام المنتج بدون عمل التأسيس والتوصيل بالكهرباء وفقاً للوائح المحلية.
- يجب أن يكون قابس كابل الطاقة في مكان قريب من مكان التركيب.
- لا تقم بعمل وصلات إطالة للأسلاك أو المقابس المتعددة بين جهازك والمقبس الحائطي.

<p>تحذير السطح الساخن زودت الجدران الجانبية لجهازك بأنابيب تبريد لتحسين مبرد نظام الطهي وقد تتدفق درجات حرارة عالية عبر هذه المناطق، مما يسخن الأسطح على الجدران الجانبية. هذا أمر طبيعي ولا يتطلب أي صيانة. يرجى الانتباه أثناء لمس هذه المناطق.</p>	
---	---

3.2 تركيب الأسافين البلاستيكية

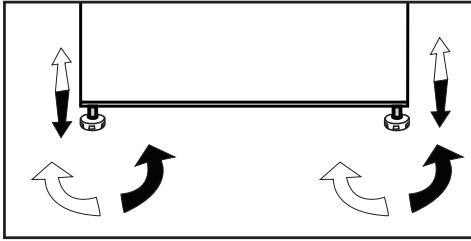
يتم استخدام الأسافين البلاستيكية الموردة مع الجهاز لإيجاد مسافة لتدوير الهواء بين المنتج والحائط الخلفي.

1. لتركيب الأسافين، اخلع البراغي الموجودة على الجهاز واستخدم البراغي الموردة مع الأسافين.

2. ادخل الطرفان البلاستيكيان داخل فتحة التهوية الخلفية كما هو موضح في الشكل.

3.3 ضبط الأقدام

إذا كان المنتج غير متزن بعد عملية التركيب، فاضبط القدم على المقدمة بعد تدويرها لليمين أو اليسار. التوصيل الكهربائي



3.1 موقع التركيب الملائم

اتصل بمركز خدمة معتمد لتركيب الجهاز. لتحضير الجهاز للاستخدام، راجع المعلومات الواردة في دليل المستخدم وتأكد من أن التركيبات الكهربائية وتركيبات المياه سليمة. إذا لم يكن الأمر كذلك، اتصل بفني كهربائي ومهندس معتمد لإجراء أية ترتيبات مطلوبة.

تحذير: لن تكون الشركة المصنعة مسؤولة عن التلف الذي يحدث نتيجة إجراء أعمال التركيب والصيانة من قبل أشخاص غير معتمدين.



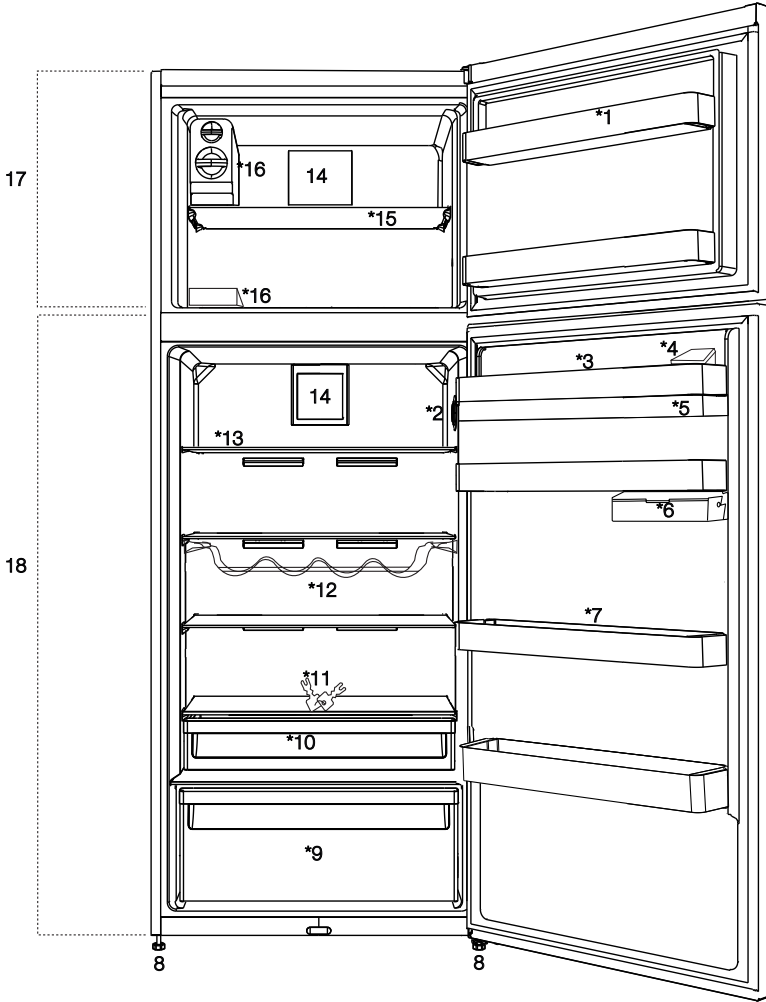
تحذير: لا يجوز توصيل قابس الجهاز بالكهرباء أثناء التركيب. وإلا، قد يكون هناك خطر الوفاة أو الإصابات الخطيرة!!



تحذير: إذا كان خلوص الباب في الغرفة غير كافٍ في موضع تركيب الجهاز بدرجة تمنع تمرير الجهاز، فاخلع باب الغرفة وقم بتمرير الجهاز عبر الباب من خلال تدويره إلى الجوانب؛ فإذا لم ينجح ذلك، اتصل بمركز الخدمة المعتمد.



- ضع المنتج على سطح مستو لمنع الحركة المفاجئة.
- قم بتركيب الجهاز على مسافة لا تقل عن 30 سم من مصادر الحرارة، مثل المواقد والسخانات والأفران وعلى مسافة لا تقل عن 5 من الأفران الكهربائية.
- لا يجوز أن يتعرض الجهاز لضوء الشمس المباشر ويحفظ في أماكن رطبة.
- يجب أن تتوفر التهوية المناسبة حول المنتج للحصول على تشغيل يتسم بالكفاءة. إذا كان سيتم وضع المنتج في تجويف داخل الحائط، فاحرص على ترك مسافة 5 سم على الأقل بين السقف والحوائط الجانبية.
- لا تقم بتركيب الجهاز في أماكن تقل فيها درجة الحرارة عن 5° م.



10. حيز التبريد
11. القفل والمفتاح
12. رف الزجاجات
13. رف صندوق الثلجة الزجاجي
14. مروحة
15. رف صندوق الفريزر
16. صندوق الثلج / حجيرة إعداد الثلج
17. مقصورة الفريزر
18. مقصورة الثلجة

1. رف باب صندوق الثلجة
2. زر ضبط درجة الحرارة
3. رف تجويف باب الفريزر
4. موزع المياه ملء خزان
5. القسم البيض
6. خزان موزع المياه
7. تحريك رف الباب
8. الأرجل القابلة للضبط
9. مقصورة الطعام الطازج

*اختياري إن الأشكال الواردة في هذا الدليل عبارة عن رسومات بيانية وقد لا تتطابق تمامًا مع المنتج. إذا لم تكن الأجزاء ذات الصلة غير متاحة في المنتج الذي قمت بشرائه، ينطبق الشكل على الموديلات الأخرى.



0.6 م) كحد أدنى و100 ف (38 م) كحد أقصى.
• استعمل ماء الشرب فقط.

1.6 معلومات الغلاف

- تم تصنيع مواد تغليف المنتج من مواد قابلة لإعادة التدوير طبقاً لأنظمة البيئة الوطنية. لا تتخلص من مواد التغليف مع النفايات المنزلية وغيرها. قم بنقلها إلى نقاط تجميع مواد التغليف المحددة من قبل السلطات المحلية.

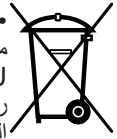
1.3 الاستخدام المخصص

- هذا المنتج مصمم للاستخدام المنزلي. وهو غير ملائم للاستخدام التجاري أو العام.
- يجب استخدام الجهاز لتخزين الطعام والشراب فقط.
- لا تترك المواد الحساسة التي تتطلب درجات حرارة تحت السيطرة في التلاجة (اللقاحات، الأدوية الحساسة للحرارة، اللوازم الطبية، الخ).
- لا يتحمل المصنع أية مسؤولية عن أي ضرر بسبب سوء الاستعمال أو التعامل.
- سيتم توفير قطع غيار أصلية لمدة 10 أعواماً، بعد تاريخ الشراء المنتج

1.4 سلامة الأطفال

- احتفظ بمواد التغليف بعيداً عن متناول الأطفال.
- لا تسمح للأطفال بالعبث بالجهاز.
- إذا كان لباب الجهاز قفل، احتفظ بالمفتاح بعيداً عن متناول الأطفال.
- لامثال للتوجيهات الخاصة بنفايات الأجهزة الإلكترونية والكهربائية والتخلص منها:

- هذا المنتج متوافق مع توجيهات EU WEEE (2012/19/EU). يحمل هذا المنتج رمز تصنيف التلخ من الأجهزة الكهربائية والإلكترونية (WEEE). تم تصنيع هذا المنتج بقطع ومواد عالية الجودة يمكن إعادة استخدامها وهي مناسبة لإعادة التدوير. لا تتخلص من المنتجات التالفة مع النفايات المنزلية العادية والأخرى عند انتهاء عمر الجهاز. بل يجب أخذه إلى مركز التجميع لتدوير الأجهزة الكهربائية والإلكترونية. يرجى استشارة السلطات المحلية لمعرفة مراكز التجميع.

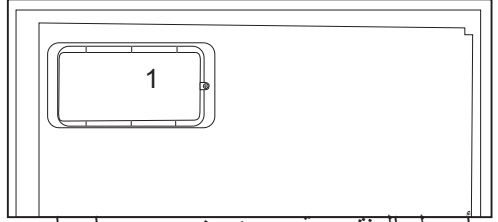
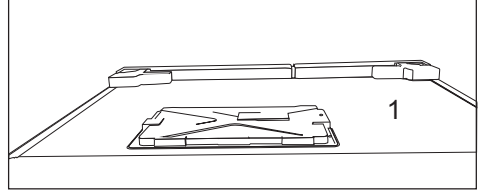
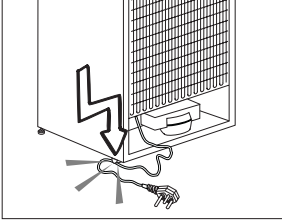


1.5 الامتثال لتوجيهات حظر

المواد الخطرة:

- هذا المنتج متوافق مع توجيهات EU WEEE (2011/65/EU). وهو لا يحتوي على مواد ضارة

- وتضرر أجزائه.
- احذر أن يعلق كبل الطاقة.



1.2 تحذير HC

- إذا كان المنتج يشتمل على نظام تبريد باستخدام غاز R600a ، احذر حتى تتجنب

أضرار نظام التبريد وأنبوبه أثناء استخدام الجهاز وتحريكه. هذا الغاز سريع الاشتعال. إذا تعرض نظام التبريد للتلف، أبعد الجهاز عن مصادر الحريق وقم بتهوية الغرفة فوراً.

يشير الملصق على الجهة الداخلية اليسرى إلى نوع الغاز المستعمل في المنتج.



- أوصل المنتج بمقبس مؤرض. يجب إجراء التأريض بواسطة فني كهرباء مؤهل.
- إذا كان الجهاز يحتوي على مصابيح من نوع LED ، اتصل بخدمة الصيانة المعتمدة لاستبدالها أو اتصل بها في حال حدوث أية مشاكل.
- لا تلمس الأطعمة المجمدة بأيدي مبتلة! فقد تلتصق بيديك!
- لا تخزن العبوات الزجاجية أو علب المشروبات في حجرة المجمد. فقد تنفجر!
- ضع السوائل بوضع رأسي بعد إغلاق الغطاء بإحكام.
- لا ترش المواد سريعة الاشتعال قرب الجهاز، فقد يحترق أو ينفجر.
- لا تحتفظ بالمواد سريعة الاشتعال والمنتجات المحتوية على غاز سريع الاشتعال (مواد الرش، الخ) في الثلاجة.
- لا تضع مستوعبات السوائل على الجهاز. قد يتسبب رش الماء على جزء كهربائي بصدمة كهربائية أو خطر الحريق.
- يؤدي تعريض المنتج للمطر والثلج وأشعة الشمس والرياح إلى أضرار كهربائية. عند تغيير مكان الجهاز، لا تسحبه من مقبض الباب. فقد ينفك المقبض.
- احذر لكي لا يعلق أي جزء من يدك أو جسمك في أية أجزاء متحركة داخل الجهاز.
- لا تطأ أو تنكئ على الباب والجوارير وأجزاء مماثلة من الثلاجة. سيؤدي ذلك إلى سقوط الجهاز

1.1.2 للموديلات

المحتوية على موزع ماء

- يجب أن يكون ضغط مدخل الماء البارد 90psi كحد أقصى (620 kPa). إذا تجاوز ضغط الماء (80 550 kPa)، استخدم صمام حد الضغط في نظامك الرئيسي. إذا كنت لا تعلم كيف تفحص ضغط الماء الخاص بك، اطلب المساعدة من سمكري متخصص.
- إذا ظهر خطر تأثير الطرق المائي أثناء التركيب، استخدم معدات منع الطرق المائي في التركيب دائماً. استشر سمكري متخصص إن لم تكن متأكداً من عدم وجود تأثير للطرق المائي في التركيب.
- لا تركبه على مدخل الماء الساخن.
- يجب أخذ الحيطة من خطر تجمد الخرطوم. يجب أن تكون درجة حرارة الماء 33 ف

يوضح هذا الجزء تعليمات السلامة اللازمة لمنع خطر الإصابة والضرر المادي. يؤدي الإخفاق في التقيد بهذه التعليمات إلى بطلان جميع ضمانات الجهاز.

الغرض المخصص

1.1. السلامة العامة

• لا يجوز استخدام هذا الجهاز بواسطة أشخاص يعانون من عجز بدني أو حسي أو عقلي، دون معرفة وخبرة كافية أو بواسطة الأطفال. يمكن استخدام الجهاز من قبل هؤلاء الأشخاص فقط تحت إشراف وتوجيه شخص مسؤول عن سلامتهم. لا يجب السماح للأطفال باللعب بهذا الجهاز.

• في حال حدوث عطل، افصل الجهاز عن الكهرباء.

• بعد فصله عن الكهرباء، انتظر 5 دقائق على الأقل قبل توصيله مرة أخرى. افصل الجهاز عن الكهرباء في حال عدم الاستعمال. لا تلمس القابس بأيدي مبللة! لا تسحب الكبل لنزعه من الكهرباء، امسك القابس دائماً.

• امسح رأس قابل الطاقة بقماشة ناشفة قبل نزعه من الكهرباء.

• لا توصل التلاجة بالكهرباء إذا كان المقبس رخواً.

• افصل المنتج أثناء التركيب والصيانة والتنظيف والتوصيل.

• إذا كنت لا تنوي استخدام المنتج لفترة معينة، افصله عن الكهرباء وأخرج أي طعام منه.

• لا تستعمل مواد التنظيف بالبخار لتنظيف التلاجة وإذابة الجليد داخلها. قد يتلامس البخار مع المناطق المكهربة ويتسبب بقصر الدائرة الكهربائية أو الصدمة الكهربائية!

• لا تغسل المنتج برش الماء أو سكب عليه! خطر الصدمة الكهربائية!

• إذا حدث عطل، لا تستخدم المنتج فقد يتسبب ذلك بصدمة كهربائية. اتصل بخدمة الصيانة المعتمدة قبل القيام بأي شيء.

• لا تستخدم الجهاز إذا كان القسم الموجود على سطح الجهاز أو على ظهره الذي يحوي ألواحاً إلكترونية مطبوعة في الداخل مفتوحاً (غطاء لوح الدائرة الإلكترونية المطبوعة) (1).

تحذير: حافظ على فتحات التهوية في تجويف الجهاز أو في البنية المدمجة خالية من الانسداد.	
تحذير: لا تستخدم الأجهزة الميكانيكية أو الوسائل الأخرى لتسريع عملية إزالة الصقيع، غير تلك التي يوصي بها المصنع.	
تحذير: لا تتلف الدائرة الكهربائية لمادة التبريد.	
تحذير: لا تستخدم الأجهزة الكهربائية في حجرة المون في الجهاز إلا إذا كانت من النوع الذي يوصي بها المصنع.	
تحذير: لا تقم بتخزين المواد المتفجرة مثل علب الأيروسول حيث تحتوي تلك العلب على مواد قابلة للاشتعال.	

هذا الجهاز مصمم للاستخدام المنزلي والتطبيقات المماثلة مثل

- مناطق كادر الطبخ في المتاجر والمكاتب وبيئات العمل الأخرى؛
- المزارع و النزلاء في الفنادق وفنادق الطرق والبيئات السكنية المماثلة؛ أماكن المبيت والإفطار؛
- أماكن المبيت والإفطار؛
- عمليات الترميم والتطبيقات المماثلة في غير محلات التجزئة.

22	المروحة
	.5.10
22	مقصورة الطعام الطازج
حيز	.5.11
22	التبريد
تحريك	.5.12
23	رف الباب
	.5.13
23	مقصورات التخزين المائلة
مصباح	.5.14
23	أزرُق
	.5.15
24	مقصورة الطعام الطازج المحكمة من حيث
خاصية	الروطية
24	.5.16
وصف	تكوين الثلج الأوتوماتيكية
25	.5.17
منتج	فلتر الروائح وتنظيفه:
25	.5.18
استخدام	الأعشاب HerbBox/HerbFresh
26	.5.19
وحدة	موزع المياه
26	.5.20
استخدام	صنع الثلج وصندوق تخزين الثلج
27	.5.21
تعينة	موزع المياه
27	.5.22
تنظيف	خزان توزيع المياه
27	.5.23
درج	خزان المياه
28	.5.24
تجميد	المياه
29	.5.25
	الأطعمة الطازجة
	.5.26
29	توصيات المحافظة على الأطعمة المجمدة
	.5.27
29	معلومات عن التجميد
وضع	.5.28
30	الطعام
تحذير	.5.29
30	فتح الباب
	يتم تنبيه المستخدم بأن الباب مفتوح بتحذير صوتي
	ومرئي. في حال استمرار التحذير لمدة 10 دقائق تغلق
	الإضاءة الداخلية.
30	.5.30
تغيير	اتجاه فتحة الباب
30	.5.31
مصباح	الإضاءة
30	

31 6 والصيانة

	.6.1
31	الأسطح البلاستيكية
زجاج	.6.2
31	الباب

32 7 العُثور على الخلل

1 تعليمات السلامة والبيئة

3	السلامة	1.1
	3	العامية
	تحذير	1.2
	4	HC
		1.1.2
	4	للموديلات المحتوية على موزع ماء
	الاستخدام	1.3
	5	المخصص
	5	1.4
	الامتثال	الأطفال
	5	1.5
	معلومات	لتوجيهات حظر المواد الخطرة:
	5	1.6
		الغلاف

6 2 جهازك

7 3 التركيب

	موقع	3.1
	7	التركيب الملائم
	تركيب	3.2
	7	الأسافين البلاستيكية
	ضبط	3.3
	7	الأقدام
	عكس	3.4
	9	الأبواب
	عكس	3.5
	10	الأبواب

11 4 التحضير

	أشياء	4.1
	11	يجب عملها لتوفير الطاقة
	الاستخدام	4.2
	11	للمرة الأولى

12 5 تشغيل الجهاز

	زر ضبط	5.1
	12	درجة الحرارة
	التجميد	5.2
	12	السرّيع
	وظيفة	5.3
	13	الأجازات
	لوحة	5.4
	14	المؤشر
	14	
	لوحة	5.5
	16	المؤشر
	الثلج -	5.6
	21	جهاز عمل الثلج
	حاوية	5.7
	22	الثلج
	حمل	5.8
	22	البيض
		5.9

الثلاجة/ دليل المستخدم

يرجى قراءة هذا الدليل قبل استخدام المنتج!

عميلنا العزيز ،

إننا نود بلوغ أعلى فعالية لمنتجاتنا، الذي تم تصنيعه في مرافق حديثة مع ضبط دقيق للجودة. لذا، ننصحك بقراءة دليل المستخدم بشكل كامل قبل استخدام المنتج. في حال تغير مالك الجهاز، لا تنس منح الدليل مع الجهاز.

سيساعدك هذا الدليل على استخدام المنتج بسرعة وأمان.

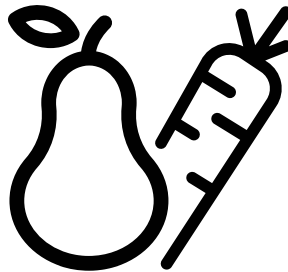
- يرجى قراءة دليل المستخدم قبل تركيب الجهاز وتشغيله.
 - تقيد بتعليمات السلامة دائما.
 - احتفظ بدليل المستخدم بالمتناول من أجل الاستخدام المستقبلي.
 - يرجى قراءة أية وثائق أخرى مزودة مع المنتج.
- تذكر أن دليل المستخدم هذا قد ينطبق على عدة موديلات. يشير الدليل بوضوح إلى أية اختلافات في الموديلات.

معلومات هامة ونصائح مفيدة.	
الخطر على الحياة والممتلكات.	
خطر الصدمة الكهربائية.	
إن غلاف المنتج مصنوع من مواد قابلة للتدوير، طبقا لأنظمة البيئة المحلية.	



Réfrigérateur

Manuel d'utilisation



RDNE510M21W-RDNE510M21M-RDNE510M21X-RDNE550M21W
RDNE480M21W-RDNE510K21M-RDNE550K21S-RDNE480K21W
RDNE510K21W-RDNE480K21X



FR

57 5397 0000/AY-2/2- FR

Veillez d'abord lire ce manuel d'utilisation !

Chère cliente, cher client,

Nous aimerions que vous soyez entièrement satisfait de notre appareil, fabriqué dans des infrastructures modernes et ayant fait l'objet d'un contrôle de qualité minutieux.

À cet effet, veuillez lire en intégralité le manuel d'utilisation avant d'utiliser cet appareil, et conservez-le pour références ultérieures. Si vous offrez cet appareil à une autre personne, remettez-lui également le manuel d'utilisation.

Le manuel d'utilisation garantit l'utilisation rapide et sécurisée du réfrigérateur.

- Veuillez lire le manuel d'utilisation avant d'installer et d'utiliser le réfrigérateur,
- Respectez toujours les instructions de sécurité en vigueur,
- Tenez le manuel d'utilisation à portée pour références ultérieures,
- Veuillez lire tous les autres documents fournis avec l'appareil,

Veillez noter que ce manuel d'utilisation peut se rapporter à plusieurs modèles de cet appareil. Le manuel indique clairement toutes les différences entre les modèles.

Symboles et commentaires

Les symboles suivants sont utilisés dans le manuel d'utilisation :

	Informations importantes et renseignements utiles,
	Avertissement relatif aux conditions dangereuses pour la vie et la propriété,
	Risque d'électrocution,
	L'emballage de l'appareil a été fabriqué à partir de matériaux recyclables, conformément à la législation nationale en matière d'environnement,

1 Instructions en matière de sécurité et d'environnement 3

1.1. Sécurité Générale	4
1.1.1 Avertissement HC	7
1.1.2 Pour les Modèles Avec Distributeur D'eau	7
1.2. Utilisation Prévue.....	8
1.3. Sécurité Enfants.....	8
1.4. Conformité Avec la Directive DEEE et Mise Au Rebut de Votre Ancien Appareil	8
1.5. Conformité Avec la Directive RoHS	9
1.6. Informations Relatives à L'emballage.....	9

2 Votre réfrigérateur 10

3 Installation 11

3.1. Lieu idéal d'installation	11
3.2. Fixation des cales en plastique	11
3.3. Réglage des pieds	11
3.4. Branchement électrique	12
3.5. Réversibilité des portes	13
3.6. Réversibilité des portes	14

4 Préparation 15

4.1. Moyens d'économiser l'énergie	15
--	----

4 Préparation 16

4.2. Première utilisation.....	16
--------------------------------	----

5 Utilisation de l'appareil 17

5.1. Bouton de réglage de température	17
5.2. Congélation rapide	17
5.3. Fonction Vacances	18
5.4. Bandeau indicateur.....	19
5.5. Bandeau indicateur.....	21
5.6. Distributeur de glaçons rotatif	28
5.7. Seau à glace	29

5.8. Support d'œufs	29
5.9. Ventilateur.....	29
5.10. Bac à légumes	30
5.11. Compartiment zéro degré	30
5.12. HerbBox/HerbFresh.....	30
5.13. Balconnet de porte amovible... ..	31
5.14. Boîte de stockage coulissante	31
5.15. Bac à légumes à humidité contrôlée.....	32
5.16. Machine à glace automatique	32
5.17. Description et nettoyage du filtre à odeurs	33
5.18. Éclairage bleu.....	34
5.19. Distributeur d'eau	34
5.20. Utilisation du distributeur	35
5.21. Remplir le réservoir d'eau de la fontaine frigorifique.....	35
5.22. Nettoyer le réservoir d'eau	36
5.23. Bac à eau	37
5.24. Congélation des produits frais	38
5.25. Recommandations relatives à la conservation des aliments congelés	39
5.26. Informations relatives au congélateur.....	39
5.27. Disposition des denrées	40
5.28. Alerte ouverture de porte	40
5.29. Inversion de la direction d'ouverture de la porte	40
5.30. Éclairage interne	40

6 Entretien et nettoyage 41

6.1. Prévention Des Mauvaises Odeurs	41
6.2. Protection Des Surfaces En Plastique	41
6.3. Vitre De Porte	41

6 Entretien et nettoyage 42

7 Dépannage 43

1 Instructions en matière de sécurité et

d'environnement

Cette section fournit les instructions de sécurité nécessaires à la prévention des risques de blessures ou de dommage matériel. Le non-respect de ces instructions annule tous les types de garantie de l'appareil.

Utilisation Préconisée

	AVERTISSEMENT: Assurez-vous que les trous d'aération ne sont pas fermés quand le dispositif est dans son boîtier ou est installé à sa place.
	AVERTISSEMENT: Ne pas utiliser tout dispositif mécanique ou un autre dispositif hors des recommandations du fabricant pour accélérer le processus de décongeler.

 **AVERTISSEMENT:**
Ne pas endommager le circuit de fluide du réfrigérateur.

 **AVERTISSEMENT:**
Ne pas utiliser des appareils électriques non prévus par le fabricant dans les compartiments de conservation des aliments.

 **AVERTISSEMENT:**
Ne conservez pas de substances explosives comme des aérosols avec un liquide inflammable dans cet appareil.

Ce dispositif est conçu pour l'usage domestique ou les applications similaires suivantes :

- Pour être utilisé dans la cuisine de personnel dans les magasins, bureaux et autres environnements de travail ;
- Pour être utilisé par les clients dans les maisons de

Instructions en matière de sécurité et d'environnement

campagne et hôtels et les autres environnements d'hébergement ;

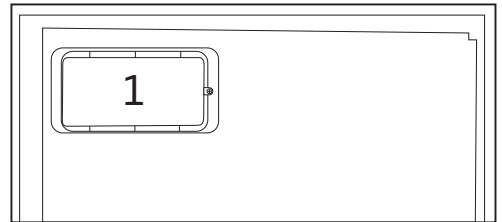
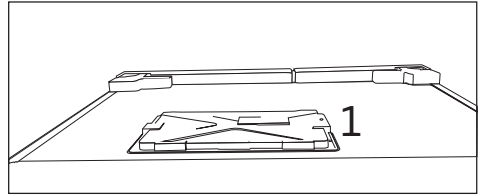
- Dans des environnements de type de pension de famille
- Dans des applications similaires n'ayant pas de service alimentaire et non détaillants

1.1. Sécurité Générale

- Cet appareil ne doit pas être utilisé par des personnes atteintes de déficience physique, sensorielle ou mentale, des personnes sans connaissances suffisantes et inexpérimentées ou par des enfants. Il ne doit être utilisé par ces personnes que si elles sont supervisées ou sous les instructions d'une personne responsable de leur sécurité. Ne laissez pas les enfants jouer avec l'appareil.
- En cas de dysfonctionnement, débranchez l'appareil.
- Après avoir débranché l'appareil, patientez 5 minutes avant de le rebrancher. Débranchez l'appareil lorsqu'il n'est pas utilisé. Évitez de toucher le cordon d'alimentation avec des mains humides ! Ne le débranchez jamais en tirant le câble, mais plutôt en tenant la prise.
- Nettoyez la fiche du câble d'alimentation à l'aide d'un chiffon sec, avant de le brancher.
- Évitez de brancher le réfrigérateur lorsque la prise est instable.
- Débranchez l'appareil pendant l'installation, l'entretien, le nettoyage et la réparation.
- Si l'appareil ne sera pas utilisé pendant une longue période, débranchez-le et videz l'intérieur.

Instructions en matière de sécurité et d'environnement

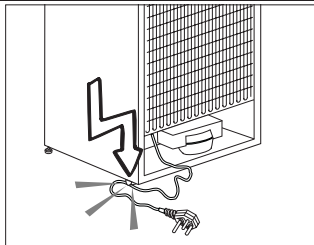
- N'utilisez pas la vapeur ou de matériel de nettoyage à vapeur pour nettoyer le réfrigérateur et faire fondre la glace. La vapeur peut atteindre les zones électrifiées et causer un court-circuit ou l'électrocution !
- Ne lavez pas l'appareil par pulvérisation ou aspersion d'eau ! Risque d'électrocution !
- Ne jamais utiliser le produit si la section située dans sa partie supérieure ou inférieure avec cartes de circuits imprimés électroniques à l'intérieur est ouverte (couverture de cartes de circuits imprimés électroniques) (1).



- En cas de dysfonctionnement, n'utilisez pas l'appareil car il peut entraîner une électrocution. Contactez le service agréé avant de procéder à toute intervention.
- Branchez votre appareil à une prise de mise à la terre. La mise à la terre doit être effectuée par un technicien qualifié.
- Si l'appareil possède un éclairage de type LED, contactez le service agréé pour tout

Instructions en matière de sécurité et d'environnement

- remplacement ou en cas de problème.
- Évitez de toucher les aliments congelés avec des mains humides ! Ils pourraient coller à vos mains !
 - Ne placez pas de boissons en bouteille ou en canette dans le compartiment de congélation. Elles risquent d'exploser !
 - Placez les boissons verticalement, dans des récipients convenablement fermés.
 - Ne pulvérisez pas de substances contenant des gaz inflammables près du réfrigérateur pour éviter tout risque d'incendie et d'explosion.
 - Ne conservez pas de substances et produits inflammables (vaporisateurs, etc.) dans le réfrigérateur.
 - Ne placez pas de récipients contenant des liquides au-dessus du réfrigérateur. Les projections d'eau sur des pièces électrifiées peuvent entraîner des électrocutions et un risque d'incendie.
 - L'exposition du produit à la pluie, à la neige, au soleil et au vent présente des risques pour la sécurité électrique. Quand vous transportez le réfrigérateur, ne le tenez pas par la poignée de la porte. Elle peut se casser.
 - Évitez que votre main ou toute autre partie de votre corps ne se retrouve coincée dans les parties amovibles de l'appareil.
 - Évitez de monter ou de vous appuyer contre la porte, les tiroirs ou toute autre partie du réfrigérateur. Cela peut faire tomber l'appareil et l'endommager.
 - Évitez de coincer le câble d'alimentation.



1.1.1 Avertissement HC

Si votre réfrigérateur possède un système de refroidissement utilisant le gaz R600a, évitez d'endommager le système de refroidissement et sa tuyauterie pendant l'utilisation et le transport de l'appareil. Ce gaz est inflammable. Si le système de refroidissement est endommagé, éloignez l'appareil des flammes et aérez la pièce immédiatement.



L'étiquette sur la paroi intérieure gauche de l'appareil indique le type de gaz utilisé.

1.1.2 Pour les Modèles Avec Distributeur D'eau

- La pression de l'eau froide à l'entrée ne doit pas excéder 90 psi (620 kPa). Si votre pression d'eau dépasse 80 psi (550 kPa), utilisez une soupape de limitation de pression sur votre réseau de conduite. Si vous ne savez pas comment vérifier la pression de l'eau, demandez l'assistance d'un plombier professionnel.
- S'il existe un risque d'effet coup de bélier sur votre installation, utilisez systématiquement un équipement de protection contre l'effet coup de bélier sur celle-ci. Consultez des plombiers professionnels si vous n'êtes pas sûr de la présence de cet effet sur votre installation.

Instructions en matière de sécurité et d'environnement

- Ne l'installez pas sur l'entrée d'eau chaude. Prenez des précautions contre le risque de congélation des tuyaux. L'intervalle de fonctionnement de la température des eaux doit être de 33 F (0,6°C) au moins et de 100 F (38 C) au plus.
- Utilisez uniquement de l'eau potable.
- (etc.) ne doivent pas être conservés dans le réfrigérateur.
- Le fabricant ne sera pas tenu responsable de tout dommage résultant d'une mauvaise utilisation ou manipulation.
- Les pièces détachées d'origine sont disponibles pendant 10 ans, à compter de la date d'achat du produit.

1.2. Utilisation Prévue

- Cet appareil est exclusivement conçu pour un usage domestique. Il n'est pas destiné à un usage commercial.
- Il doit être exclusivement utilisé pour le stockage des denrées et des boissons.
- Les produits qui nécessitent un contrôle de température précis (vaccins, médicaments sensibles à la chaleur, matériels médicaux,

1.3. Sécurité Enfants

- Conservez les matériaux d'emballage hors de la portée des enfants.
- Ne laissez pas les enfants jouer avec l'appareil.
- Si la porte de l'appareil est dotée d'une serrure, gardez la clé hors de la portée des enfants.

1.4. Conformité Avec la Directive DEEE et Mise Au Rebut de Votre Ancien Appareil

Cet appareil est conforme à la directive DEEE de l'Union européenne (2012/19/UE). Il porte un symbole de

Instructions en matière de sécurité et d'environnement

classification pour la mise au rebut des équipements électriques et électroniques (DEEE).



Le présent produit a été fabriqué avec des pièces et du matériel de qualité supérieure susceptibles d'être réutilisés et adaptés au recyclage. Ne le mettez pas au rebut avec les

ordures ménagères et d'autres déchets à la fin de sa durée de vie. Rendez-vous dans un point de collecte pour le recyclage de tout matériel électrique et électronique. Rapprochez-vous des autorités de votre localité pour plus d'informations concernant ces points de collecte.

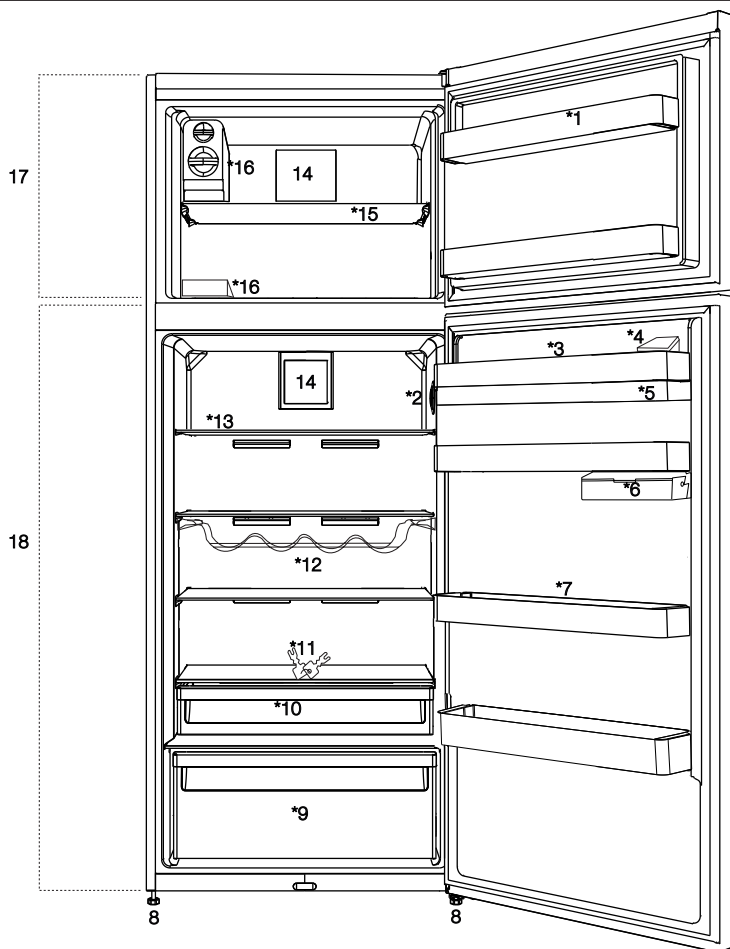
1.5. Conformité Avec la Directive RoHS

- Cet appareil est conforme à la directive DEEE de l'Union européenne (2011/65/UE). Il ne comporte pas les matériaux dangereux et interdits mentionnés dans la directive.

1.6. Informations Relatives à L'emballage

- Les matériaux d'emballage de cet appareil sont fabriqués à partir de matériaux recyclables, conformément à nos réglementations nationales en matière d'environnement. Ne mettez pas les matériaux d'emballage au rebut avec les ordures ménagères et d'autres déchets. Amenez-les plutôt aux points de collecte des matériaux d'emballage, désignés par les autorités locales.

2 Votre réfrigérateur



1. Réfrigérateur - étagère porte du compartiment
2. Bouton de réglage de la température
3. Distributeur de réservoir d'eau de remplissage
4. Section de Egg
5. Réservoir de distribution de l'eau
6. Récipient de rangement sous le plateau de porte
7. Étagère porte en mouvement
8. Pieds réglables
9. Crisper
10. Compartiment Chiller
11. Serrure et clé
12. Bouteille plateau
13. Réfrigérateur - étagère en verre compartiment
14. Ventilateur
15. Congélateur compartiment plateau
16. Glacière / compartiment fabrication de glace
17. Compartiment congélateur
18. Compartiment réfrigérateur



***En option :** Les images présentées dans ce manuel sont fournies à titre indicatif et elles peuvent ne pas correspondre exactement à votre appareil. Si votre appareil ne dispose pas des parties citées, alors l'information s'applique à d'autres modèles.

3 Installation

3.1. Lieu idéal d'installation

Contactez le service agréé pour l'installation de votre réfrigérateur. Pour préparer l'installation du réfrigérateur, lisez attentivement les instructions du manuel d'utilisation et assurez-vous que les équipements électriques et d'approvisionnement d'eau sont installés convenablement. Si non, contactez un électricien et un plombier pour effectuer les réparations nécessaires.



AVERTISSEMENT : Le fabricant ne sera pas tenu responsable en cas de problèmes causés par des travaux effectués par des personnes non autorisées.



AVERTISSEMENT : Débranchez le câble d'alimentation du réfrigérateur pendant l'installation. Le non-respect de cette consigne peut entraîner la mort ou des blessures graves !



AVERTISSEMENT : Si le cadre de la porte est trop étroit pour laisser passer l'appareil, retirez la porte et faites passer l'appareil sur les côtés ; si cela ne fonctionne pas, contactez le service agréé.

- Placez l'appareil sur une surface plane pour éviter les vibrations.
- Placez le produit à 30 cm du chauffage, de la cuisinière et des autres sources de chaleur similaires et à au moins 5 cm des fours électriques.
- N'exposez pas le produit directement à lumière du soleil et ne le laissez pas dans des environnements humides.
- Le bon fonctionnement de votre réfrigérateur nécessite la bonne circulation de l'air.

- Si le réfrigérateur est placé dans un encastrement mural, assurez-vous de laisser un espace d'au moins 5 cm avec le plafond et le mur.
- Ne placez pas le réfrigérateur dans des environnements avec des températures inférieures à -5 °C.

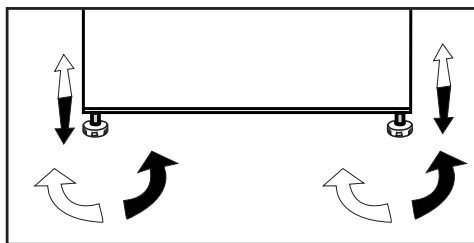
3.2. Fixation des cales en plastique

Utilisez les cales en plastiques fournies avec le réfrigérateur pour créer une circulation d'air suffisante entre le réfrigérateur et le mur.

1. Pour fixer les cales, retirez les vis du réfrigérateur et utilisez celles fournies avec les cales,
2. Fixez 2 cales en plastique sur le couvercle de ventilation tel qu'illustré par l'image.

3.3. Réglage des pieds

Si le réfrigérateur n'est pas équilibré, réglez les pieds avant en les tournant vers la gauche ou la droite.



Installation

3.4. Branchement électrique

	AVERTISSEMENT : Ne branchez pas le réfrigérateur sur une rallonge ou une multiprise.
	AVERTISSEMENT : Les câbles d'alimentation endommagés doivent être remplacés par le service agréé.
	Lorsque deux réfrigérateurs sont installés côte à côte, ils doivent être séparés par au moins 4 cm.

- Notre entreprise ne sera pas tenue responsable de tout dommage résultant de l'utilisation de l'appareil sans prise de mise à la terre ou branchement électrique conforme à la norme nationale en vigueur.
- Gardez la fiche du câble d'alimentation à portée de main après l'installation.
- N'utilisez pas de fiches multiples avec ou sans câble d'extension entre la prise murale et le réfrigérateur.



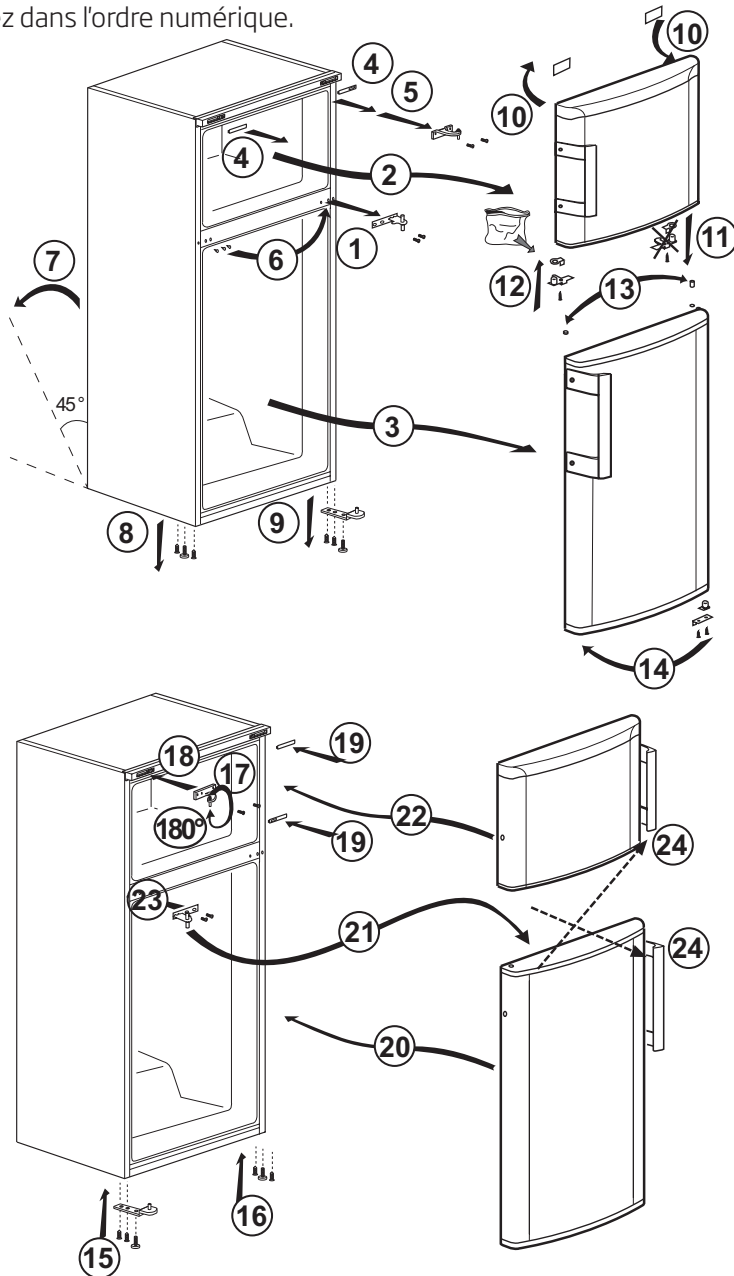
Avertissement relatif à la surface chaude

Les parois latérales de votre appareil sont équipées de conduits frigorifiques visant à améliorer le système de refroidissement. Le réfrigérant porté à des températures élevées peut jaillir à travers ces zones, entraînant ainsi le réchauffement des parois latérales. Ce phénomène est normal et ne nécessite aucun entretien. Soyez prudent au moment de toucher à ces zones.

Installation

3.5. Réversibilité des portes

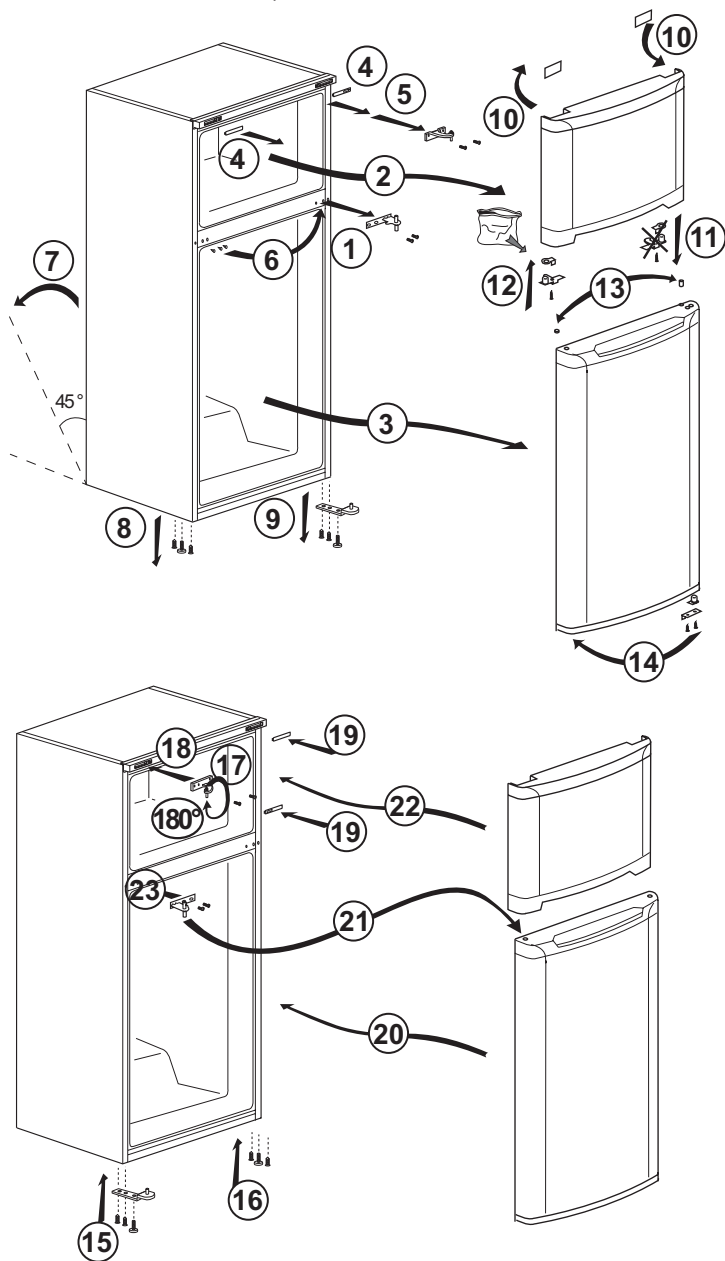
Procédez dans l'ordre numérique.



Installation

3.6. Réversibilité des portes

Procédez dans l'ordre numérique.



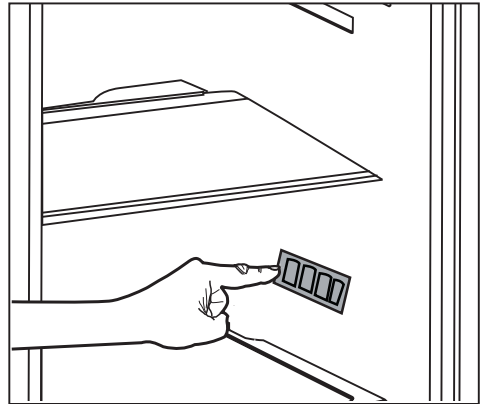
4.1. Moyens d'économiser l'énergie



Il est dangereux de connecter l'appareil aux systèmes électroniques d'économie d'énergie, ils pourraient l'endommager.

- Ne laissez pas la porte du réfrigérateur ouverte longtemps.
- Ne conservez pas des aliments ou des boissons chauds dans le réfrigérateur.
- Ne surchargez pas le réfrigérateur, l'obstruction du flux d'air interne réduira la capacité de réfrigération.
- Pour stocker une quantité maximale d'aliments dans le compartiment réfrigérateur, retirez les tiroirs supérieurs et placez-les sur l'étagère pour verres. La consommation énergétique définie de votre réfrigérateur est déterminée lorsque vous retirez le refroidisseur, le bac à glaçons et les tiroirs supérieurs d'une manière qui permettra un chargement maximal. Il est fortement recommandé d'utiliser le tiroir inférieur lors du chargement. Activez la fonction Économie d'énergie pour une meilleure consommation énergétique.
- Évitez de bloquer le flux d'air en plaçant les aliments devant le ventilateur du refroidisseur. Laissez un espace de 3 cm devant la grille de protection du ventilateur lors du chargement des aliments.
- Selon les caractéristiques de l'appareil, le dégivrage des aliments congelés dans le compartiment réfrigérateur assurera l'économie d'énergie et la préservation de la qualité des aliments.

- Placez les aliments dans les étagères à l'intérieur du compartiment réfrigérateur afin de réaliser des économies d'énergie et de conserver les aliments dans un meilleur environnement.
- Veillez à ce que les emballages d'aliments ne soient pas en contact direct avec le capteur de chaleur situé dans le compartiment réfrigérateur. Dans le cas contraire, la consommation énergétique de votre appareil pourrait augmenter.



- Veuillez-vous assurer que les aliments ne sont pas en contact direct avec le capteur de température du compartiment réfrigérateur décrit ci-après.

4 Préparation

4.2. Première utilisation

Avant d'utiliser votre réfrigérateur, assurez-vous que les installations nécessaires sont conformes aux instructions des sections « Instructions en matière de sécurité et d'environnement » et « Installation ».

- Laissez l'appareil vide en marche pendant 6 heures, et ne l'ouvrez pas sauf en cas de nécessité absolue.



Un son retentit à l'activation du compresseur. Il est également normal d'entendre ce son lorsque le compresseur est inactif, en raison des liquides et des gaz comprimés présents dans le système de réfrigération.



Les bords avant du réfrigérateur peuvent chauffer. Ce phénomène est normal. Ces parties doivent en principe être chaudes afin d'éviter la condensation.



Dans certains modèles, le panneau indicateur se met automatiquement en veilleuse 5 minutes après la fermeture de la porte. Ce panneau s'active à nouveau lorsque la porte est ouverte ou lorsqu'on appuie sur un bouton.

5 Utilisation de l'appareil

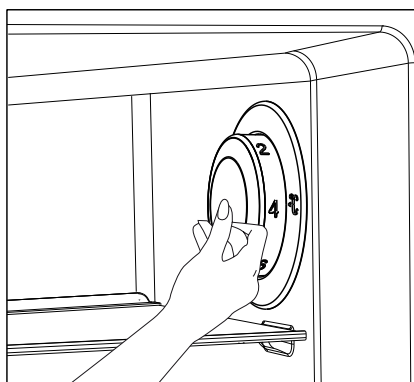
5.1. Bouton de réglage de température

La température interne de votre réfrigérateur varie selon les raisons suivantes :

- Températures saisonnières,
- les portes sont ouvertes fréquemment et restent longtemps ouvertes,
- les aliments sont introduits dans le réfrigérateur sans réduction de la température à la température ambiante,
- l'emplacement du réfrigérateur dans la pièce (par ex. exposition à la lumière directe du soleil).
- La variation de la température interne en raison de ces facteurs peut être réglée via le bouton de réglage de la température.

Les chiffres autour du bouton de réglage indiquent les degrés de température comme « °C ».

Si la température ambiante est de 20 °C, il est recommandé de régler la température du réfrigérateur à 4 °C. Sous d'autres températures ambiantes, cette valeur peut être personnalisée.

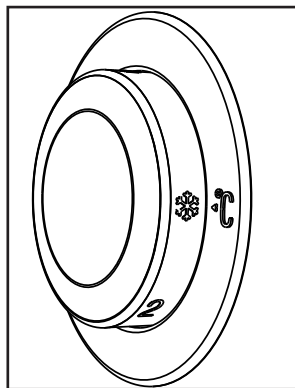


5.2. Congélation rapide

Si vous souhaitez congeler de grandes quantités d'aliments frais, placez le bouton de réglage de la température sur la position (❄️) avant d'introduire les aliments dans le compartiment de congélation rapide.

Nous vous recommandons de laisser le bouton à cette position pendant au moins 24 heures pour congeler une quantité maximale d'aliments correspondant à la capacité de congélation stipulée. Veillez surtout à ne pas mélanger les aliments congelés et les aliments frais.

Assurez-vous de placer le bouton de réglage de température à sa position initiale.



Utilisation de l'appareil

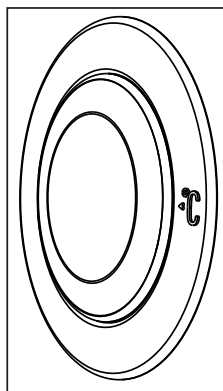
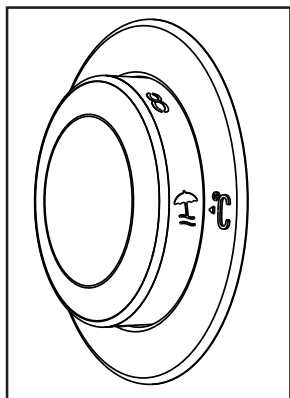
5.3. Fonction Vacances

Si les portes de votre réfrigérateur ne sont pas (🔒) ouvertes pendant au moins 12 heures après l'ajustement du bouton de réglage de la température à la position la plus élevée, la fonction Vacances est automatiquement activée.

Les paramètres du bouton peuvent être modifiés afin d'annuler cette fonction.

Il n'est pas recommandé de conserver les aliments dans le compartiment réfrigérateur lorsque cette fonction est activée.

- Une fois le réglage terminé, vous pouvez dissimuler le bouton de réglage de la température en l'appuyant à l'intérieur.

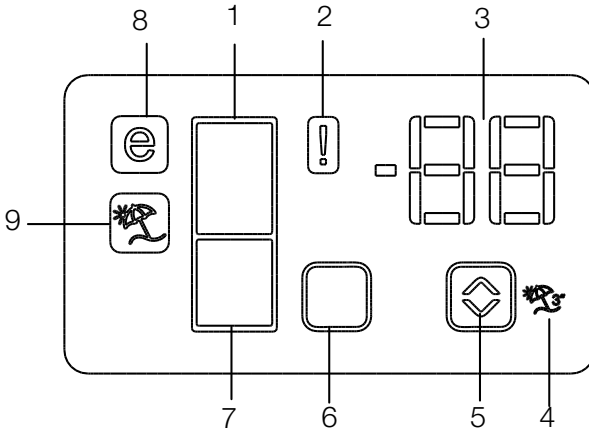


***en option :** Les chiffres présentés dans ce guide sont à titre indicatif et peuvent ne pas correspondre à votre appareil. Si votre appareil ne dispose pas des parties citées, alors l'information s'applique à d'autres modèles.

Utilisation de l'appareil

5.4. Bandeau indicateur

Les bandeaux indicateur peuvent varier en fonction du modèle de l'appareil. Les fonctions sonores et visuelles sur le panneau indicateur vous aident dans l'utilisation de votre réfrigérateur.



1. Indicateur du compartiment réfrigérateur
2. Indicateur d'état de dysfonctionnement
3. Indicateur de température
4. Bouton de la fonction Vacances
5. Bouton de réglage de la température
6. Bouton de sélection du compartiment
7. Indicateur du compartiment congélateur
8. Indicateur mode Économie
9. Indicateur de Fonction Vacances

***en option**



***en option :** Les chiffres présentés dans ce guide sont à titre indicatif et peuvent ne pas correspondre à votre appareil. Si votre appareil ne dispose pas des parties citées, alors l'information s'applique à d'autres modèles.

Utilisation de l'appareil

1. Indicateur du compartiment réfrigérateur

La lampe du compartiment réfrigérateur s'allume lorsque la température de ce compartiment est réglée.

2. Indicateur d'état de dysfonctionnement

Si la capacité de votre réfrigérateur à refroidir est insuffisante ou en cas de dysfonctionnement du capteur, cet indicateur est activé. Lorsque cet indicateur est activé, "E" s'affiche sur l'indicateur de température du compartiment congélateur, et les nombres tels que "1,2,3..." s'affichent sur l'indicateur de température du compartiment réfrigérateur. Ces numéros sur l'indicateur renseignent le personnel d'entretien sur le dysfonctionnement.

3. Indicateur de température

Indique la température du compartiment congélateur, réfrigérateur.

4. Bouton de la fonction Vacances

Appuyez sur le bouton Vacances pendant 3 secondes pour activer cette fonction. Si la fonction Vacances est activée, "- -" s'affiche sur l'indicateur de température du compartiment réfrigérateur et aucun refroidissement actif n'est sélectionné sur le compartiment réfrigérateur. Il n'est pas adapté de conserver les denrées dans le compartiment réfrigérateur lorsque cette fonction est activée.

D'autres compartiments continuent à se refroidir conformément à leur température réglée.

Pour annuler cette fonction, appuyez à nouveau sur le bouton **Vacances**.

5. Bouton de réglage de la température

Modifie la température du compartiment concerné entre - 24 °C, -18 °C et 8 °C.1 °C.

6. Bouton de sélection du compartiment

Bouton de sélection : Appuyez sur le bouton de sélection du compartiment pour basculer entre les compartiments réfrigérateur et congélateur.

7. Indicateur du compartiment congélateur

La lampe du compartiment congélateur s'allume lorsque la température du compartiment congélateur est réglée.

8. Indicateur mode Économie

Indique que le réfrigérateur fonctionne en mode d'économie d'énergie. Cet écran sera actif si la température du compartiment congélateur est réglée sur -18°C.

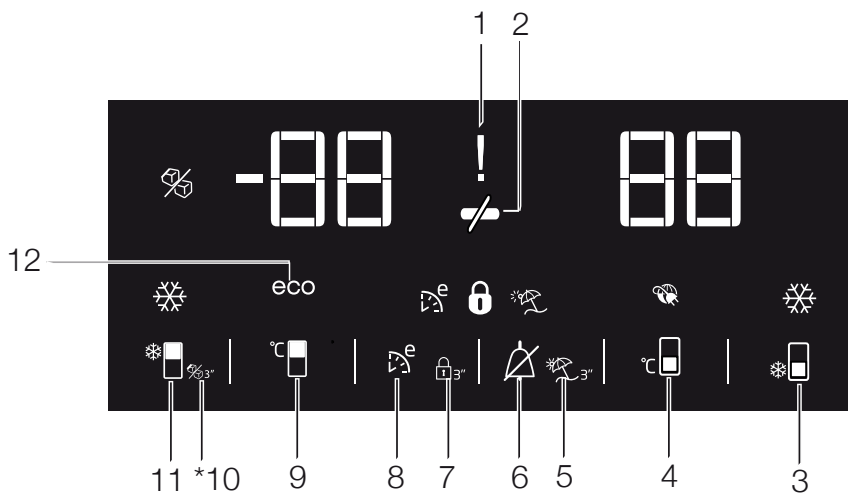
9. Indicateur de Fonction Vacances

Indique que la fonction Vacances est activée.

Utilisation de l'appareil

5.5. Bandeau indicateur

Le panneau indicateur vous permet de régler la température et de contrôler les autres fonctions liées à votre appareil sans ouvrir la porte du réfrigérateur. Appuyez simplement sur les inscriptions des boutons appropriés pour effectuer le réglage des fonctions.



1. Coupure d'électricité / Température élevée / Voyant d'avertissement d'erreur

Ce voyant (⚡) s'allume en cas de coupure d'électricité, de défaut de température élevée et d'avertissement d'erreur. Au cours des coupures d'électricité prolongées, la température maximale du compartiment congélateur s'affiche sur l'écran numérique. Après le contrôle des aliments dans le compartiment congélateur (❄️), appuyez sur le bouton de désactivation de l'alarme pour annuler l'avertissement.

2. Fonction Économie d'énergie (Arrêt de l'affichage) :

Si les portes de l'appareil restent fermées pendant longtemps, la fonction Économie d'énergie s'active automatiquement et le symbole d'Économie d'énergie s'allume. (⚡)



*en option : Les chiffres présentés dans ce guide sont à titre indicatif et peuvent ne pas correspondre à votre appareil. Si votre appareil ne dispose pas des parties citées, alors l'information s'applique à d'autres modèles.

Utilisation de l'appareil

Si la fonction Économie d'énergie est active, tous les symboles de l'écran hormis celui de l'Économie d'énergie s'éteindront. Lorsque la Fonction Économie d'énergie est active, si vous appuyez sur un bouton quelconque ou ouvrez la porte, cette fonction sera désactivée et les symboles qui se trouvent à l'écran redeviendront normaux.

La fonction Économie d'énergie est activée à la sortie de l'appareil de l'usine et ne peut être annulée.

3. Fonction de réfrigération rapide

Ce bouton est doté de deux fonctions. Appuyez brièvement sur ce bouton pour activer ou désactiver la fonction de refroidissement rapide. Le voyant de refroidissement rapide s'éteint et l'appareil retourne à son réglage normal. (●■)



Utilisez la fonction de refroidissement rapide lorsque vous souhaitez refroidir rapidement les aliments placés dans le compartiment réfrigérateur. Si vous souhaitez refroidir de grandes quantités d'aliments frais, nous vous recommandons d'activer cette fonction au préalable.



Après 8 heures de temps ou lorsque le compartiment réfrigérateur atteint la température souhaitée, la fonction de refroidissement rapide s'annulera automatiquement si vous ne le faites pas.



Si vous appuyez sur le bouton de refroidissement rapide de façon répétée à des intervalles courts, alors le système de protection du circuit électronique s'activera et le compresseur ne démarrera pas automatiquement.



Cette fonction n'est pas reprise lorsque le courant est rétabli après une panne de courant.

4. Bouton de réglage de la température du compartiment réfrigérateur

Appuyez sur ce bouton pour régler la température du compartiment réfrigérateur à 8, 7, 6, 5, 4, 3, 2, 8 respectivement. Appuyez sur ce bouton pour définir la température souhaitée pour le compartiment du réfrigérateur. (■)

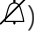
5. Fonction Vacances

Pour activer la fonction Vacances, appuyez sur ce bouton (■) pendant 3 secondes. Le voyant du mode Vacances (■) s'allume. Si la fonction Vacances est activée, " - - " s'affiche sur l'indicateur de température du compartiment réfrigérateur et aucun refroidissement actif n'est sélectionné sur le compartiment réfrigérateur. Il n'est pas adapté de conserver les denrées dans le compartiment réfrigérateur lorsque cette fonction est activée. D'autres compartiments doivent continuer à se refroidir conformément à leur température réglée.



Utilisation de l'appareil


Annulez cette fonction en appuyant à nouveau sur le bouton **Fonction Vacances**.

6. Avertissement d'alarme désactivée :

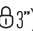
En cas de coupure d'électricité/d'alarme de température élevée, appuyez sur le bouton d'alarme désactivée () pour annuler l'alarme, après avoir inspecté les aliments placés dans le compartiment congélateur.

7. Verrouillage des commandes


Appuyez simultanément sur le bouton de verrouillage des commandes () pendant 3 secondes. L'icône du verrouillage des commandes () s'allume et le mode verrouillage des commandes est activé. Les boutons ne fonctionneront pas si le mode Verrouillage des commandes est actif. Appuyez simultanément sur le bouton Key lock pendant 3 secondes à nouveau. Lorsque l'icône de verrouillage des commandes s'éteint, le mode Verrouillage des commandes est désactivé.

Appuyez sur le bouton **Verrouillage des commandes** si vous souhaitez éviter toute modification du réglage de la température du réfrigérateur ()


Appuyez simultanément sur le bouton Verrouillage des commandes pendant 3 secondes à nouveau. Le symbole de verrouillage des commandes s'éteint et le mode Verrouillage des commandes est désactivé.

Appuyez sur le bouton **Verrouillage des commandes** si vous souhaitez éviter toute modification du réglage de température du réfrigérateur ()

8. Eco fuzzy

Appuyez et maintenez enfoncé le bouton Eco fuzzy pendant 1 seconde pour activer la fonction Eco fuzzy. Le réfrigérateur commence à fonctionner dans le mode le plus économique au moins 6 heures plus tard et le voyant d'utilisation économique s'allume lorsque la fonction est activée. () Appuyez et maintenez enfoncé le bouton Eco fuzzy pendant 3 secondes pour désactiver la fonction Eco fuzzy. Ce témoin s'allume après 6 heures lorsque le bouton Eco fuzzy est activé.

9. Bouton de réglage de la température du compartiment de congélation

Appuyez sur ce bouton pour régler la température du compartiment de congélation à -18, -19, -20, -21, -22, -23, -24, -18... respectivement. Appuyez sur ce bouton pour définir la température souhaitée pour le compartiment congélateur. ()

10. Voyant du distributeur de glaçons désactivé

Utilisation de l'appareil

Indique si le distributeur de glaçons est activé ou non. (❄️) Si le voyant est activé, alors le distributeur de glaçons ne fonctionne pas. Pour activer le distributeur de glaçons à nouveau, maintenez le bouton Marche-Arrêt enfoncé pendant 3 secondes.



L'arrivée d'eau du réservoir à eau sera arrêtée en sélectionnant cette fonction. Toutefois, les glaçons déjà formés peuvent être retirés du distributeur.

11. Bouton de fonction Congélation rapide /Bouton marche/arrêt du distributeur de glaçons

Appuyez sur ce bouton pour activer ou désactiver la fonction de congélation rapide. Lorsque vous activez la fonction, le compartiment congélateur sera refroidi à une température inférieure à la valeur de consigne. (❄️)

Pour activer et désactiver le distributeur de glaçons, maintenez le bouton enfoncé pendant 3 secondes.



Utilisez la fonction de congélation rapide lorsque vous souhaitez congeler rapidement les aliments placés dans le compartiment réfrigérateur. Si vous souhaitez congeler de grandes quantités d'aliments, nous vous recommandons d'activer cette fonction au préalable.



Après 4 heures de temps ou lorsque le compartiment réfrigérateur atteint la température souhaitée, la fonction de congélation rapide s'annulera automatiquement si vous ne le faites pas.



Cette fonction n'est pas reprise lorsque le courant est rétabli après une panne de courant.

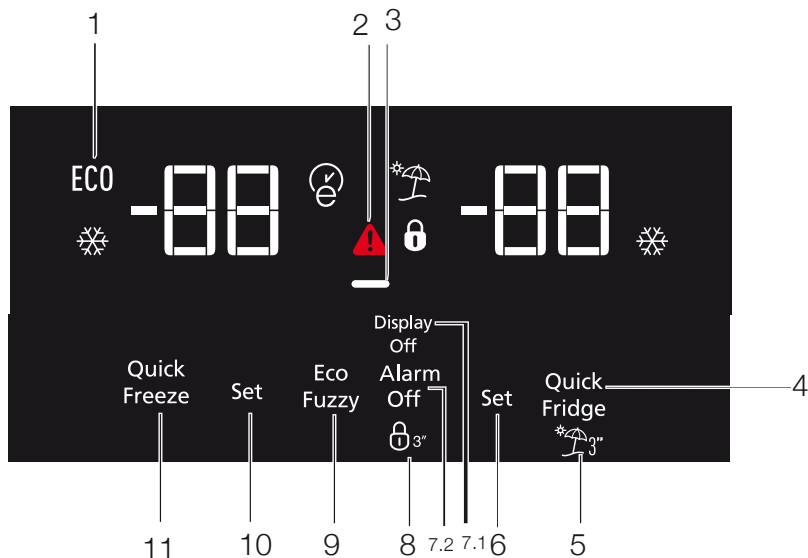
12. Voyant d'économie d'énergie

Indique que le réfrigérateur fonctionne en mode d'économie d'énergie. (eco) Ce voyant sera activé si la température du compartiment congélateur est réglée sur -18 ou si le refroidissement à économie d'énergie est réalisé suite à l'activation de la fonction Eco Extra.



Le voyant d'économie d'énergie s'éteint lorsque la fonction de réfrigération rapide ou de congélation rapide est sélectionnée.

Utilisation de l'appareil



1. Économie

Ce symbole s'allume lorsque le compartiment congélateur est réglé sur -18°C comme la valeur de réglage la plus économique (ECO). Le voyant d'économie d'énergie s'éteint lorsque les fonctions de réfrigération rapide ou de congélation rapide sont sélectionnées.

2. Température élevée / voyant d'avertissement d'erreur

Ce voyant (▲) s'allume en cas de défaut de température élevée et d'avertissements d'erreur.

3. Fonction Économie d'énergie (Arrêt de l'affichage)

Si les portes de l'appareil restent

fermées pendant longtemps, la fonction Économie d'énergie s'active automatiquement et le symbole d'Économie d'énergie s'allume. Si la fonction Économie d'énergie est activée, tous les symboles de l'écran hormis celui de l'Économie d'énergie s'éteindront. Si vous appuyez sur un bouton quelconque ou ouvrez la porte lorsque la Fonction Économie d'énergie est activée, cette fonction sera désactivée et les symboles qui se trouvent à l'écran redeviendront normaux.

La fonction Économie d'énergie est activée à la sortie de l'appareil de l'usine et ne peut être annulée.



*** en option :** Les chiffres présentés dans ce guide sont à titre indicatif et peuvent ne pas correspondre à votre appareil. Si votre appareil ne dispose pas des parties citées, alors l'information s'applique à d'autres modèles.

Utilisation de l'appareil

4. Refroidissement rapide

Le voyant de refroidissement rapide (❄️) s'allume lorsque la fonction de refroidissement rapide est activée et le voyant de température du compartiment réfrigérateur affiche 1. Pour annuler cette fonction, appuyez à nouveau sur le bouton Refroidissement rapide. L'indicateur de refroidissement rapide s'éteindra et le réfrigérateur retournera à son réglage normal. Après 1 heure, la fonction de refroidissement rapide s'annule automatiquement si vous ne l'avez pas fait avant. Si vous souhaitez introduire de grandes quantités de produits frais dans le réfrigérateur, appuyez sur le bouton Refroidissement rapide avant d'introduire ces produits dans le compartiment réfrigérateur.

5. Fonction Vacances

Pour activer la fonction Vacances, appuyez sur le bouton no (🏖️) pendant 3 secondes. Le voyant du mode Vacances s'allume. Si la fonction Vacances est activée, "--" s'affiche sur l'indicateur de température du compartiment réfrigérateur et aucun refroidissement actif n'est sélectionné sur le compartiment réfrigérateur. Il n'est pas adapté de conserver les denrées dans le compartiment réfrigérateur lorsque cette fonction est activée. D'autres compartiments doivent continuer à se refroidir conformément à leur température réglée.

Annulez cette fonction en appuyant à nouveau sur le bouton **Fonction Vacances**.

6. Réglage de la température du compartiment réfrigérateur

Lorsque vous appuyez sur le bouton no , vous pourrez régler la température du compartiment réfrigérateur respectivement sur 8, 7, 6, 5, 4, 3, 2 et 1 (📺).

7.1 Fonction Économie d'énergie (Arrêt de l'affichage) :

Le symbole d'économie d'énergie (⚡) s'allume et la fonction Économie d'énergie s'active lorsque vous appuyez sur ce bouton (⚡). Si la fonction Économie d'énergie est active, tous les symboles de l'écran hormis celui de l'Économie d'énergie s'éteindront. Lorsque la Fonction Économie d'énergie est active, si vous appuyez sur un bouton quelconque ou ouvrez la porte, cette fonction sera désactivée et les symboles qui se trouvent à l'écran redeviendront normaux. Le symbole d'économie d'énergie s'éteint et la fonction Économie d'énergie est désactivée lorsque vous appuyez à nouveau sur ce bouton (⚡).

7.2 Avertissement d'alarme désactivée :

En cas de coupure d'électricité/ d'alarme de température élevée, appuyez sur le bouton d'alarme désactivée pour annuler l'alarme, après avoir inspecté les aliments placés dans le compartiment congélateur.

8. Verrouillage des commandes

Appuyez simultanément sur le bouton de verrouillage des

Utilisation de l'appareil

commandes (🔒) pendant 3 secondes. Symbole de verrouillage des touches

(🔒) s'allume et le mode verrouillage des commandes est activé. Les boutons ne fonctionneront pas si le mode Verrouillage des commandes est actif. Appuyez simultanément sur le bouton Key lock pendant 3 secondes à nouveau. Lorsque l'icône de verrouillage des commandes s'éteint, le mode Verrouillage des commandes est désactivé.

Appuyez sur le bouton **Verrouillage des commandes** si vous souhaitez éviter toute modification du réglage de la température du réfrigérateur (🔒).

9. Eco fuzzy

Appuyez et maintenez enfoncé le bouton Eco fuzzy pendant 1 seconde pour activer la fonction Eco fuzzy. Le réfrigérateur commence à fonctionner dans le mode le plus économique au moins 6 heures plus tard et le voyant d'utilisation économique s'allume lorsque la fonction est activée. (🌿). Appuyez et maintenez enfoncé le bouton Eco fuzzy pendant 3 secondes pour désactiver la fonction Eco fuzzy. Ce témoin s'allume après 6 heures lorsque le bouton Eco fuzzy est activé.

10. Réglage de température du compartiment congélateur

C'est ici que s'effectue le réglage de la température du compartiment congélateur. Appuyez sur le bouton no.9 pour régler la température du compartiment congélateur respectivement sur -18, -19, -20, -21, -22, -23 et -24.

11. Congélation rapide

Appuyez sur le bouton no. pour l'opération de congélation rapide. Le voyant de congélation rapide (❄️) s'allume.

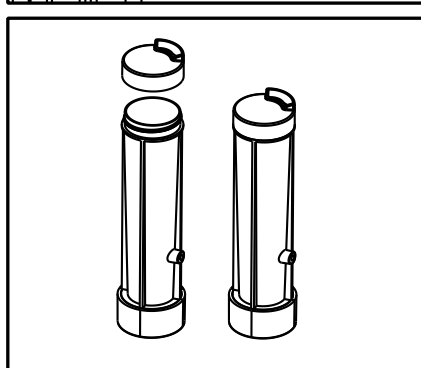
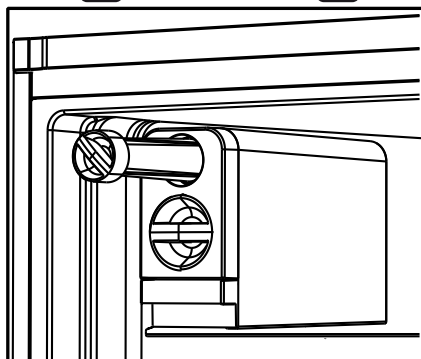
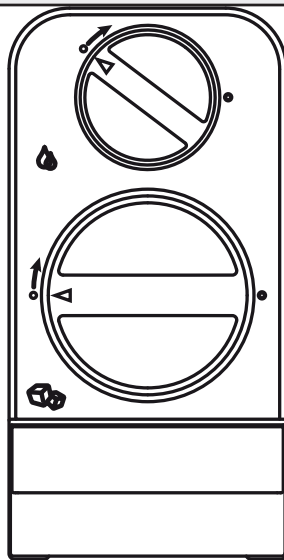
Le voyant de congélation rapide s'allume lorsque la fonction de congélation rapide est activée et le voyant de température du compartiment réfrigérateur affiche -27. Pour annuler cette fonction, appuyez à nouveau sur le bouton Congélation rapide (❄️). L'indicateur de congélation rapide s'éteindra et le réfrigérateur retournera à son réglage normal. Après 24 heures, la fonction de congélation rapide s'annule automatiquement si vous ne l'avez pas fait avant. Si vous souhaitez congeler de grandes quantités de produits frais, appuyez sur le bouton Congélation rapide avant d'introduire ces produits dans le compartiment de congélation.

Utilisation de l'appareil

5.6. Distributeur de glaçons rotatif

(Cette caractéristique est en option)

- Retirez le réservoir d'eau en le tournant vers la gauche.
- Ouvrez le couvercle du réservoir d'eau en le tournant et ajoutez de l'eau dans le réservoir jusqu'à la limite inférieure du couvercle.
- Placez le réservoir d'eau sur son socle tel qu'illustré par la figure après avoir ajouté de l'eau et fixez-le en le tournant dans la direction de la flèche. De l'eau est dirigée vers l'appareil à glaçons.
- Lorsque la glace est formée, tournez le bouton de l'appareil à glaçons dans la direction de flèche pour orienter les blocs de glace vers le tiroir à glaçons.
- Récupérez les blocs de glace en sortant le tiroir à glaçons.
- Tirez la face avant vers vous pour laver l'appareil à glaçons, placez-le sur les glissières à l'intérieur et poussez vers l'intérieur pour le remettre en place.
- Tirez le distributeur à glaçons rotatif vers vous pour retirer l'unité, placez-le sur les glissières supérieures et poussez vers l'intérieur pour le remettre en place.



Utilisation de l'appareil

5.7. Seau à glace

(En option)

- Retirez le seau à glace du compartiment congélateur.
- Remplissez-le d'eau.
- Remplacez le seau à glace dans le compartiment congélateur.
- Les glaçons seront prêts après environ deux heures. Retirez le seau à glace du compartiment congélateur et tordez-le légèrement au-dessus du support dans lequel vous souhaitez servir les glaçons. Les glaçons se verseront donc facilement dans le support dans lequel vous souhaitez les servir.

5.8. Support d'œufs

Vous pouvez placer le support d'œufs sur la porte ou l'étagère de votre choix. Si vous décidez de le placer sur l'étagère, il est recommandé de le placer sur les étagères inférieures car elles sont plus froides.

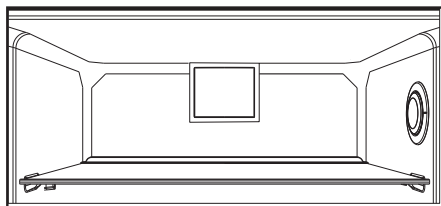


Évitez de placer le support d'œufs dans le compartiment congélateur.

5.9. Ventilateur

Le ventilateur a été conçu pour faire circuler de manière homogène l'air froid à l'intérieur de votre réfrigérateur. La durée de fonctionnement du ventilateur varie en fonction des propriétés de votre appareil.

Dans certains réfrigérateurs, le ventilateur fonctionne uniquement avec compresseur, dans d'autres systèmes de commande, il permet de déterminer la durée de fonctionnement basée sur le besoin de refroidissement.

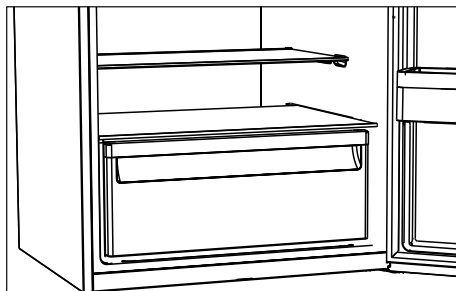


Utilisation de l'appareil

5.10. Bac à légumes

(En option)

Le bac à légumes du réfrigérateur est conçu pour conserver les légumes frais en préservant l'humidité. Pour cela, la circulation de la totalité de l'air froid est intensifiée dans le bac à légumes.

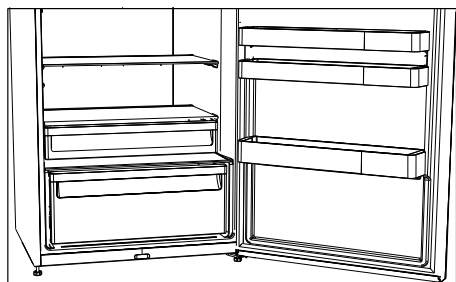


5.11. Compartiment zéro degré

(En option)

Utilisez ce compartiment pour conserver de l'épicerie fine à des températures faibles, ou des produits carnés destinés à une consommation immédiate.

Le compartiment Zéro degré est l'endroit le plus froid où vous pouvez conserver les aliments tels que les produits laitiers, la viande, le poisson et la volaille dans des conditions idéales. Les légumes et/ou fruits ne doivent pas être conservés dans ce compartiment.



5.12. HerbBox/HerbFresh

(En option)

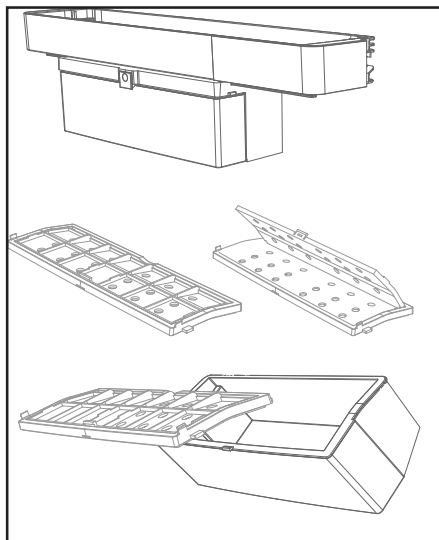
Enlevez le protecteur de film du HerbBox/HerbFresh+.

En enlevant le film de son sac placez-le dans le protecteur de film comme démontré sur le schéma.

En fermant le protecteur rangez-le de nouveau dans l'unité de HerbBox/HerbFresh+.

Les divisions de HerbBox-HerbFresh+ sont surtout idéales pour le stockage des variétés d'herbes nécessitant être gardées dans des conditions sensibles. Vous pouvez garder plus longtemps et fraîchement vos herbes (persil, aneth) enlevées de leur sac dans cette section en position horizontale.

Remplacer le film tous les six mois.



Utilisation de l'appareil

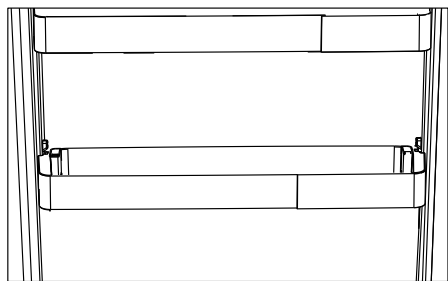
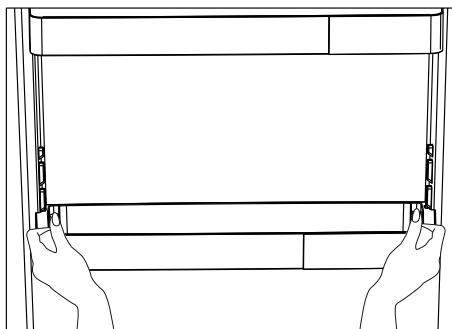
5.13. Balconnet de porte amovible

(En option)

Le balconnet de porte amovible peut être fixé de 3 manières différentes. Pour déplacer le balconnet, appuyez uniformément sur les boutons situés sur le côté. Ainsi, le balconnet est amovible.

Déplacez le balconnet vers le haut ou vers le bas.

Une fois que ce dernier se trouve dans la position de votre choix, relâchez les boutons. Assurez-vous que le balconnet est fixé à nouveau à la position initiale.

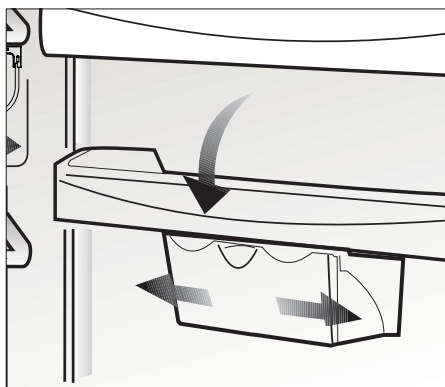


5.14. Boîte de stockage coulissante

(En option)

Cet accessoire a été conçu dans le but de renforcer les capacités des balconnets de porte.

Grâce à sa capacité à se déplacer latéralement, elle vous permet de disposer facilement de longues bouteilles, des bocaux ou des boîtes que vous placez dans le range-bouteilles inférieur.



Utilisation de l'appareil

5.15. Bac à légumes à humidité contrôlée

(En option)

Grâce à la fonction de contrôle de l'humidité, la quantité d'humidité de légumes et de fruits est maintenue sous contrôle. Cette fonction assure également une période de fraîcheur prolongée pour les aliments.

Il est recommandé de ne pas conserver les légumes à feuilles vertes, tels que les feuilles de laitue, les épinards, ainsi que les légumes similaires générant une perte d'humidité, sur leurs racines, mais en position horizontale dans le bac à légumes, autant que possible.

Lorsque vous stockez les légumes, placez les légumes lourds et durs au fond du bac et les légumes légers et doux au-dessus, en tenant compte des poids spécifiques de légumes.

Ne placez pas les légumes dans le bac à légumes lorsqu'ils sont encore dans les sacs en plastique. Lorsque vous les laissez dans les sacs en plastique, ces légumes pourrissent en un laps de temps. En cas de mélange de légumes non recommandé, utilisez des matériaux d'emballage tels que le papier qui possède une certaine porosité en termes d'hygiène.

Évitez de placer des fruits qui ont une production de gaz à haute teneur en éthylène tels que la poire, l'abricot, la pêche et en particulier la pomme dans le même bac à légumes que d'autres légumes et fruits. Le gaz d'éthylène provenant de ces fruits pourrait accélérer la maturité d'autres légumes et fruits qui pourraient pourrir en un laps de temps.

5.16. Machine à glace automatique

(En option)

La machine à glace automatique vous permet de faire facilement des glaçons dans votre réfrigérateur. Pour obtenir des glaçons à partir de la machine à glace, retirez le réservoir d'eau du compartiment réfrigérateur, remplissez-le d'eau et replacez-le.

Les premiers glaçons seront prêts dans environ 2 heures dans le tiroir à glace situé dans le compartiment réfrigérateur.

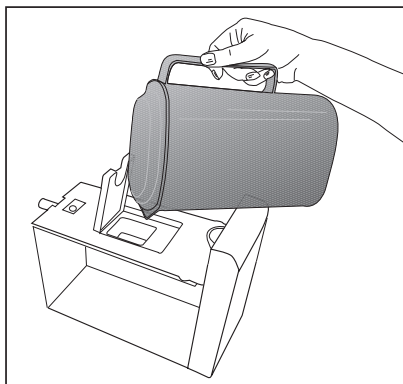
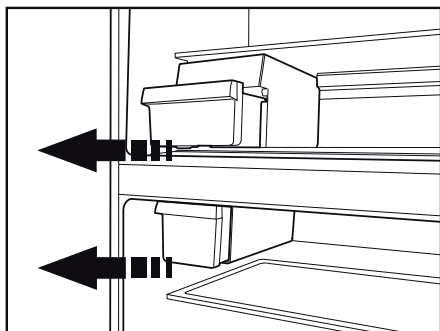
Après avoir placé le réservoir rempli, vous pouvez obtenir environ 60 à 70 cubes de glace jusqu'à ce qu'il soit entièrement vide.

Utilisation de l'appareil

Si l'eau contenue dans le réservoir date de 2 à 3 semaines, veuillez la remplacer.



Dans les réfrigérateurs équipés de machine à glace automatique, vous pourriez entendre un son lorsque vous versez la glace. Ce phénomène est tout à fait normal et ne constitue nullement un signe de dysfonctionnement.



5.17. Description et nettoyage du filtre à odeurs

Le filtre à odeurs empêche la formation d'odeurs désagréables dans votre réfrigérateur.

1. Tirez sur le couvercle dans lequel le filtre à odeurs est installé et enlevez-le comme indiqué.
2. Exposez le filtre à la lumière directe du soleil pendant un jour. Cela contribuera à nettoyer le filtre.
3. Remettez le filtre à sa place.



Le filtre à odeurs doit être nettoyé une fois l'an.

Utilisation de l'appareil

5.18. Éclairage bleu

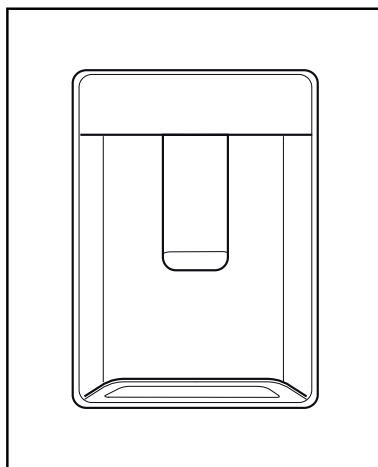
***en option**

Les denrées conservées dans les bacs à légumes sont éclairées par une lumière bleue qui, grâce aux effets de sa longueur d'onde, permet aux fruits et légumes de continuer la photosynthèse et ainsi de conserver leur fraîcheur et leur teneur en vitamines.

5.19. Distributeur d'eau

***en option**

Cette fontaine est très important pour obtenir de l'eau fraîche sans avoir à ouvrir la porte de votre réfrigérateur. Comme vous n'aurez pas à ouvrir fréquemment la porte de votre réfrigérateur, cela vous permettra d'économiser de l'énergie.



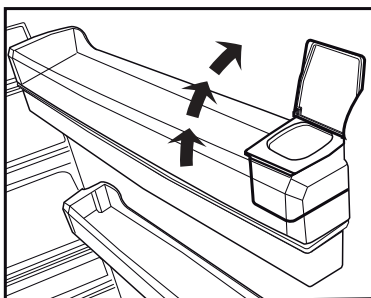
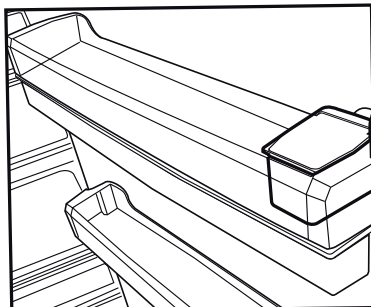
Utilisation de l'appareil

5.20. Utilisation du distributeur

Appuyez sur le bouton de la fontaine avec votre verre. La fontaine cessera de fonctionner lorsque vous aurez relâché le bouton.

Pendant le fonctionnement de la fontaine, vous pouvez obtenir une quantité maximale en appuyant à fond sur le bouton. N'oubliez pas que la quantité de liquide obtenue est fonction du degré d'appui que vous exercez sur le bouton.

A mesure que le niveau d'eau de votre tasse / verre augmente, réduisez doucement la quantité de pression du bouton pour éviter tout risque de débordement. Si vous appuyez légèrement sur le bouton, l'eau s'écoulera ; ce phénomène est tout à fait normal et n'est pas un dysfonctionnement.



5.21. Remplir le réservoir d'eau de la fontaine frigorigère

Le réservoir d'approvisionnement en eau se trouve dans le balconnet de la porte. Vous pouvez ouvrir le couvercle du réservoir et remplir celui-ci d'eau potable. Refermez ensuite le couvercle.

Avertissement !

- Ne remplissez pas le réservoir avec un liquide autre que de l'eau des boissons gazeuses, alcooliques, jus de fruits ou autres ne sont pas adaptés pour être utilisés avec le distributeur d'eau. Si de tels liquides sont utilisés, le distributeur connaîtra un dysfonctionnement et peut être profondément endommagé. La garantie ne couvre pas de telles utilisations.

Utilisation de l'appareil

Certaines substances chimiques et certains additifs contenus dans de telles boissons / breuvages peuvent également endommager le réservoir d'eau.

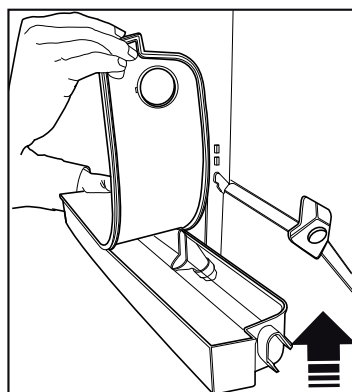
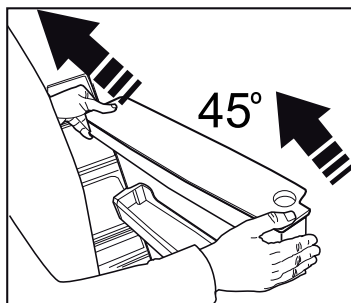
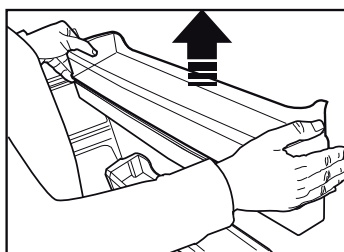
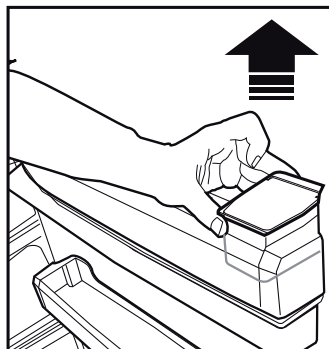
- Utilisez uniquement de l'eau potable propre.
- La capacité du réservoir est de 3 litres; ne dépassez pas la limite.
- Appuyez sur le bouton de la fontaine avec votre verre. Si vous utilisez une tasse jetable, poussez le bouton avec vos doigts à partir de l'arrière de la tasse.

5.22. Nettoyer le réservoir d'eau

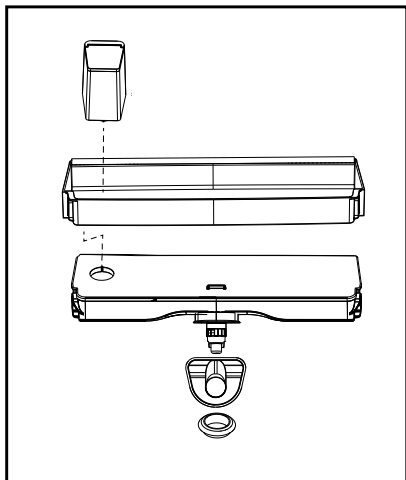
- Retirez le réservoir d'approvisionnement en eau du balconnet de la porte.
- Retirez le balconnet de la porte en le tenant par les deux côtés.
- Tenez le réservoir par ses deux côtés et retirez-le selon un angle de 45 degrés.
- Retirez le couvercle afin de nettoyer le réservoir.

Important :

Le réservoir d'eau et les composants du distributeur d'eau ne peuvent pas être passés au lave-vaisselle.



Utilisation de l'appareil

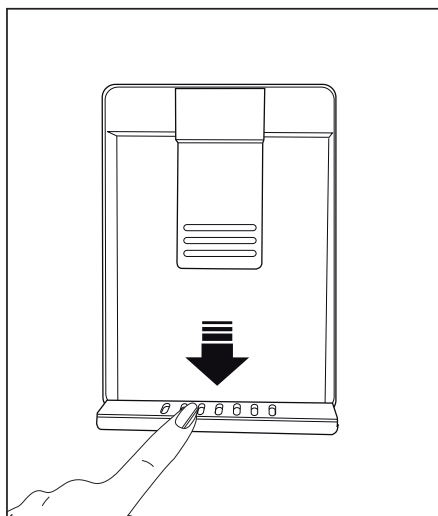


5.23. Bac à eau

L'eau qui s'écoule lors de l'utilisation du distributeur d'eau s'accumule dans le bac de dégivrage.

Retirez la crépine en plastique comme sur le schéma.

Essuyez l'excédent d'eau à l'aide d'un chiffon propre et sec.



Utilisation de l'appareil

5.24. Congélation des produits frais

- Pour conserver la qualité des aliments, les denrées placées dans le compartiment congélateur doivent être congelées le plus rapidement possible, à l'aide de la fonction de congélation rapide.
 - Le fait de congeler les denrées à l'état frais prolongera la durée de conservation dans le compartiment congélateur.
 - Emballez les aliments dans des emballages sous vide et scellez-les correctement.
 - Assurez-vous que les aliments sont emballés avant de les placer dans le congélateur. Utilisez des récipients pour congélateur, du papier aluminium et du papier résistant à l'humidité, des sacs en plastique ou du matériel d'emballage similaire au lieu d'un papier d'emballage ordinaire.
- Marquez chaque emballage en y écrivant la date avant de le placer au congélateur. Ceci vous permettra de déterminer la fraîcheur de chaque paquet lors des ouvertures du congélateur. Mettez les aliments les plus anciens à l'avant pour vous assurer qu'ils sont utilisés en premier.
 - Les aliments congelés doivent être utilisés immédiatement après le dégivrage et ne doivent pas être congelés à nouveau.
 - Ne retirez pas de grandes quantités d'aliments au même moment.



La glace contenue dans le compartiment congélateur dégèle automatiquement.

Utilisation de l'appareil

Réglage de la température du compartiment congélateur	Réglage de la température du compartiment réfrigérateur	Détails
-18°C	4°C	Ceci est le paramètre par défaut recommandé.
-20,-22 ou -24°C	4°C	Ces réglages sont recommandés pour des températures ambiantes excédant 30 °C.
Congélation rapide	4°C	Cet indicateur est utilisé lorsque vous souhaitez congeler vos aliments pendant une courte période. Une fois le processus terminé, l'appareil retourne à son réglage initial.
Inférieure ou égale à -18°C	2°C	Utilisez ces réglages si vous estimez que le compartiment réfrigérateur n'est pas assez frais à cause de la température ambiante ou de l'ouverture fréquente de la porte.

5.25. Recommandations relatives à la conservation des aliments congelés

Le compartiment doit être réglé à -18 °C minimum.

1. Placez les aliments dans le congélateur le plus rapidement possible pour éviter leur dégivrage.
2. Avant de les faire dégivrer, vérifiez la « date d'expiration » sur l'emballage pour vous assurer de l'état des aliments.
3. Assurez-vous que l'emballage de l'aliment n'est pas endommagé.

5.26. Informations relatives au congélateur

Selon la norme CEI 62552, le congélateur doit être doté d'une capacité de congélation des aliments de 4,5 kg à une température inférieure ou égale à -18 °C en 24 heures pour chaque 100 litres du volume du compartiment congélateur.

Les aliments peuvent être préservés pour des périodes prolongées uniquement à des températures inférieures ou égales à -18 °C.

Vous pouvez garder les aliments frais pendant des mois (dans le congélateur à des températures inférieures ou égales à 18 °C).

Les aliments à congeler ne doivent pas être en contact avec ceux déjà congelés pour éviter un dégivrage partiel.

Faites bouillir les légumes et filtrer l'eau pour prolonger la durée de conservation à l'état congelé. Placez les aliments dans des conditionnements hermétiques après filtrage et placez-les dans le congélateur. Les bananes, les tomates, les feuilles de laitue, le céleri, les oeufs durs, les pommes de terre et les aliments similaires ne doivent pas être congelés. Lorsque les aliments pourrissent, seules les valeurs nutritionnelles et les qualités alimentaires sont négativement affectées. Il ne s'agit pas d'un aliment détérioré susceptible de constituer un danger pour la santé humaine.

Utilisation de l'appareil

5.27. Disposition des denrées

Étagères du compartiment congélateur	Vous pouvez congeler différents aliments comme de la viande, du poisson, des crèmes glacées, des légumes, etc.
Étagères du compartiment réfrigérateur	Les aliments contenus dans des casseroles, des plats couverts, des gamelles et les œufs (dans des gamelles)
Balconnets de la porte du compartiment réfrigérateur	Aliments emballés et de petite taille ou des boissons
Bac à légumes	Fruits et légumes
Compartiment des aliments frais	Épicerie fine (aliments pour petit déjeuner, produits carnés à consommer à court terme)

N'utilisez pas l'ampoule de cet appareil pour l'éclairage des maisons. Cette ampoule a été conçue pour permettre à l'utilisateur de placer les aliments dans le réfrigérateur / congélateur en toute sécurité et confortablement.

5.28. Alerte ouverture de porte

(En option)

Un signal sonore est émis si la porte de l'appareil reste ouverte pendant au moins 1 minute. Le signal sonore s'arrête à la fermeture de la porte ou lorsqu'on appuie sur bouton de l'écran (si disponible).

Ce signal destiné à l'utilisateur est à la fois audible et visuel. Le voyant intérieur s'allume si le signal d'avertissement est émis pendant 10 minutes.

5.29. Inversion de la direction d'ouverture de la porte

Vous pouvez inverser le sens d'ouverture de votre réfrigérateur, en fonction de son emplacement. Lorsque vous souhaitez effectuer cette opération, contactez le service agréé le plus proche.

L'explication ci-dessus est une déclaration générale. Veuillez vérifier l'étiquette d'avertissement située à l'intérieur de l'emballage de votre appareil, au sujet de l'inversion de la direction de la porte.

5.30. Éclairage interne

L'éclairage interne utilise une lampe de type DEL. Contactez le service agréé pour tout problème lié à cette lampe.

6 Entretien et nettoyage

Un nettoyage régulier prolonge la durée de vie de votre réfrigérateur



AVERTISSEMENT : Débranchez votre réfrigérateur avant de le nettoyer.

- N'utilisez jamais d'outils pointus et abrasifs, de savon, de produits nettoyage domestiques, d'essence, de carburant, du cirage ou des substances similaires pour le nettoyage du produit.
- Faites dissoudre une cuillerée à café de carbonate dans de l'eau. Trempez un morceau de tissu dans cette eau et essorez-le. Nettoyez soigneusement l'appareil avec ce chiffon et ensuite avec un chiffon sec.
- Veillez à ne pas mouiller le logement de la lampe ainsi que d'autres composants électriques.
- Nettoyez la porte à l'aide d'un chiffon humide. Retirez tous les aliments avant le retrait de la porte et des balconnets. Retirez les balconnets de la porte en les tirant vers le haut. Nettoyez et séchez les étagères, puis refixez-les en les faisant glisser à partir du haut.
- N'utilisez pas d'eau contenant du chlore, ou des produits de nettoyage pour les surfaces externes et les pièces chromées de l'appareil. Le chlore provoque la rouille de ces surfaces métalliques.

6.1. Prévention Des Mauvaises Odeurs

À sa sortie d'usine, cet appareil ne contient aucun matériau odorant. Cependant; la conservation des aliments dans des sections inappropriées et le mauvais nettoyage de l'intérieur peuvent donner lieu aux mauvaises odeurs. Pour éviter cela, nettoyez l'intérieur à l'aide de carbonate dissout dans l'eau tous les 15 jours.

- Conservez les aliments dans des récipients fermés. Les micro-organismes pourraient se propager sur les produits alimentaires non fermés et émettre de mauvaises odeurs.
- Ne conservez pas d'aliments périmés ou avariés dans le réfrigérateur.

6.2. Protection Des Surfaces En Plastique

Si de l'huile se répand sur les surfaces en plastique, il faut immédiatement les nettoyer avec de l'eau tiède, sinon elles seront endommagées.

6.3. Vitre De Porte

Retirez le film protecteur qui recouvre les vitres.

La surface des vitres est dotée d'un revêtement. Il s'agit d'une sorte de revêtement qui élimine les taches au minimum et permet un nettoyage facile des taches formées. Toutes vitres non protégées à l'aide d'un revêtement pourraient être exposées à la dépendance permanente des organismes pathogènes propagés par l'air et l'eau ou des agents inorganiques tels que le calcaire, les sels minéraux, les hydrocarbures imbrûlés, les oxydes et silicones métalliques qui causent facilement des taches et des dommages physiques dans une courte durée. Par conséquent, le maintien des vitres propres devient très difficile, malgré le lavage fréquent. En outre, la clarté et l'apparence propre des vitres sont impossibles. Des méthodes et composants de nettoyage décapants et corrosifs intensifient ce défaut et accélèrent le processus d'abrasion.

Pour les travaux de nettoyage de routine, il est recommandé d'utiliser des produits de nettoyage à base d'eau qui sont non-alcalins et non-abrasifs.

Pour prolonger la durée de vie de ce revêtement, évitez d'utiliser des matériaux alcalins et abrasifs.

Ces vitres ont subi un processus d'humidification, afin de les protéger contre tous chocs et brisement.

En plus des vitres, un film de sécurité a été appliqué à la surface arrière afin d'éviter les dommages à l'environnement dans le cas où elles se briseraient.

*L'alcali est une base qui forme les ions d'hydroxyde (OH^-) lorsqu'il est dissout dans de l'eau.

Les métaux Li (Lithium), Na (Sodium), K (Potassium), Rb (Rubidium), Cs (Caesium) et radioactifs Fr (Francium) constituent les MÉTAUX ALCALI.

7 Dépannage

Parcourez la liste ci-après avant de contacter le service de maintenance. Cela devrait vous éviter de perdre du temps et de l'argent. Cette liste répertorie les plaintes fréquentes ne provenant pas de vices de fabrication ou des défauts de pièces. Certaines fonctionnalités mentionnées dans ce manuel peuvent ne pas exister sur votre modèle.

Le réfrigérateur ne fonctionne pas.

- La prise d'alimentation n'est pas bien fixée. >>> Branchez-la en l'enfonçant complètement dans la prise.
- Le fusible branché à la prise qui alimente l'appareil ou le fusible principal est grillé. >>> Vérifiez le fusible.

Condensation sur la paroi latérale du congélateur (MULTI ZONE, COOL, CONTROL et FLEXI ZONE).

- La porte est ouverte trop fréquemment >>> Évitez d'ouvrir trop fréquemment la porte de l'appareil.
- L'environnement est trop humide. >>> N'installez pas l'appareil dans des endroits humides.
- Les aliments contenant des liquides sont conservés dans des récipients non fermés. Conservez ces aliments dans des emballages scellés.
- La porte de l'appareil est restée ouverte. >>> Ne laissez pas la porte du réfrigérateur ouverte longtemps.
- Le thermostat est réglé à une température trop basse. >>> Réglez le thermostat à la température appropriée.

Le compresseur ne fonctionne pas.

- En cas de coupure soudaine de courant ou de débranchement intempestif, la pression du gaz dans le système de réfrigération de l'appareil n'est pas équilibrée, ce qui déclenche la fonction de conservation thermique du compresseur. L'appareil se remet en marche au bout de 6 minutes environ. Dans le cas contraire, veuillez contacter le service de maintenance.
- L'appareil est en mode dégivrage. >>> Ce processus est normal pour un appareil à dégivrage complètement automatique. Le dégivrage se déclenche périodiquement.
- L'appareil n'est pas branché. >>> Vérifiez que le cordon d'alimentation est connecté à la prise.
- Le réglage de température est inapproprié. >>> Sélectionnez le réglage de température approprié.
- Cas de coupure de courant. >>> L'appareil continue de fonctionner normalement dès le retour du courant.

Le bruit du réfrigérateur en fonctionnement s'accroît pendant son utilisation.

Dépannage

- Le rendement de l'appareil en fonctionnement peut varier en fonction des fluctuations de la température ambiante. Ceci est normal et ne constitue pas un dysfonctionnement.

Le réfrigérateur fonctionne fréquemment ou pendant de longues périodes.

- Il se peut que le nouvel appareil soit plus grand que l'ancien. Les appareils plus grands fonctionnent plus longtemps.
- La température de la pièce est probablement élevée. Il est normal que l'appareil fonctionne plus longtemps lorsque la température de la pièce est élevée.
- L'appareil vient peut-être d'être branché ou chargé de nouveaux aliments. >>> L'appareil met plus longtemps à atteindre la température réglée s'il vient d'être branché ou récemment rempli d'aliments. Ce phénomène est normal.
- Il est possible que des quantités importantes d'aliments chauds aient été récemment placées dans l'appareil. >>> Ne placez pas d'aliments chauds dans votre appareil.
- Les portes étaient ouvertes fréquemment ou sont restées longtemps ouvertes. >>> L'air chaud circulant à l'intérieur de l'appareil le fera fonctionner plus longtemps. N'ouvrez pas les portes trop régulièrement.
- Le congélateur ou le réfrigérateur est peut-être resté entrouvert. >>> Vérifiez que les portes sont bien fermées.
- L'appareil peut être réglé à une température trop basse. >>> Réglez la température à un degré supérieur et patientez que l'appareil atteigne la nouvelle température.
- Le joint de la porte du réfrigérateur ou du congélateur peut être sale, usé, brisé ou mal positionné. >>> Nettoyez ou remplacez le joint. Si le joint de la porte est endommagé ou arraché, l'appareil mettra plus de temps à conserver la température actuelle.

La température du réfrigérateur est très basse, alors que celle du congélateur est appropriée.

- La température du compartiment congélateur est réglée à un degré très bas. >>> Réglez la température du compartiment congélateur à un degré supérieur et procédez de nouveau à la vérification.

La température du réfrigérateur est très basse, alors que celle du congélateur est appropriée.

- La température du compartiment réfrigérateur est réglée à un degré très bas. >>> Réglez la température du compartiment congélateur à un degré supérieur et procédez de nouveau à la vérification.

Les aliments conservés dans le compartiment réfrigérateur sont congelés.

- La température du compartiment réfrigérateur est réglée à un degré très bas. >>> Réglez la température du compartiment congélateur à un degré supérieur et procédez de nouveau à la vérification.

Dépannage

La température du compartiment réfrigérateur ou congélateur est très élevée.

- La température du compartiment réfrigérateur est réglée à un degré très élevé. >>> Le réglage de la température du compartiment réfrigérateur a un effet sur la température du compartiment congélateur. Patientez que la température des parties concernées atteigne le niveau suffisant en changeant la température des compartiments réfrigérateur et congélateur.
- Les portes étaient ouvertes fréquemment ou sont restées longtemps ouvertes. >>> N'ouvrez pas les portes trop régulièrement.
- La porte est peut-être restée ouverte. >>> Fermez hermétiquement la porte du réfrigérateur.
- L'appareil vient peut-être d'être branché ou chargé de nouveaux aliments. >>> Ce phénomène est normal. L'appareil met plus longtemps à atteindre la température réglée s'il vient d'être branché ou récemment rempli d'aliments.
- Il est possible que des quantités importantes d'aliments chauds aient été récemment placés dans l'appareil. >>> Ne placez pas d'aliments chauds dans votre appareil.

En cas de vibrations ou de bruits.

- Le sol n'est pas plat ou stable. >>> Si l'appareil n'est pas stable, ajustez les supports afin de le remettre en équilibre. Vérifiez également que le sol est assez solide pour supporter le poids de l'appareil.
- Des éléments placés dans le réfrigérateur pourraient faire du bruit. >>> Veuillez les retirer.

L'appareil émet un bruit d'écoulement de liquide ou de pulvérisation, etc.

- Le fonctionnement de l'appareil implique des écoulements de liquides et des émissions de gaz. >>> Ce phénomène est normal et ne constitue pas un dysfonctionnement.

L'appareil émet un sifflement.

- L'appareil effectue le refroidissement à l'aide d'un ventilateur. Ceci est normal et ne constitue pas un dysfonctionnement.

Les parois internes de l'appareil présentent une condensation.

- Un climat chaud ou humide accélère le processus de givrage et de condensation. Ceci est normal et ne constitue pas un dysfonctionnement.
- Les portes étaient ouvertes fréquemment ou sont restées longtemps ouvertes. >>> N'ouvrez pas les portes trop fréquemment ; fermez-les lorsqu'elles sont ouvertes.
- La porte est peut-être restée ouverte. >>> Fermez hermétiquement la porte du réfrigérateur.

Il y a de la condensation sur les parois externes ou entre les portes de l'appareil.

- Il se peut que le climat ambiant soit humide, auquel cas cela est normal. >>> La condensation se dissipe lorsque l'humidité baisse.

Dépannage

Présence d'une odeur désagréable dans l'appareil.

- • L'appareil n'est pas nettoyé régulièrement. >>> Nettoyez régulièrement l'intérieur du réfrigérateur en utilisant une éponge, de l'eau chaude et du bicarbonate.
- • Certains récipients et matériaux d'emballage sont peut-être à l'origine de mauvaises odeurs. >>> Utilisez des récipients et des emballages exempts de toute odeur.
- • Les aliments ont été placés dans des récipients non fermés. >>> Conservez les aliments dans des récipients fermés. Les micro-organismes pourraient se propager sur les produits alimentaires non fermés et émettre de mauvaises odeurs. Retirez tous les aliments périmés ou avariés de l'appareil.

La porte ne se ferme pas.

- Des emballages d'aliments peuvent bloquer la porte. >>> Déplacez tout ce qui bloque les portes.
- L'appareil ne se tient pas parfaitement droit sur le sol. >>> Ajustez les pieds afin de remettre l'appareil en équilibre.
- Le sol n'est pas plat ou stable. >>> Assurez-vous que le sol est plat et assez solide pour supporter le poids de l'appareil.

Le bac à légumes est engorgé.

- Il est possible que les aliments soient en contact avec la section supérieure du tiroir. >>> Reclassez les aliments dans le tiroir.



AVERTISSEMENT : Si le problème persiste même après observation des instructions contenues dans cette partie, contactez votre fournisseur ou un service de maintenance agréé. N'essayez pas de réparer l'appareil de vous-même.