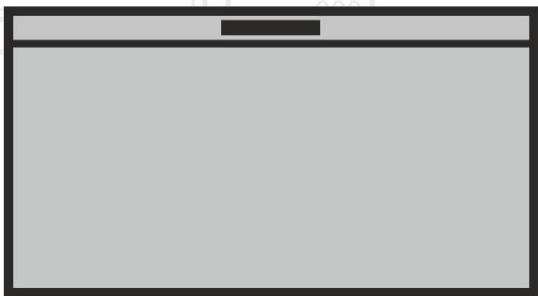


**Chest Freezer**  
**Škrinja Zamrzivač**  
**Congelatore a Banco**  
**Diepvrieskist**

Instruction of use  
Uputstvo za upotrebu  
Istruzioni per l'uso  
Gebruiksaanwijzing

**Congélateur Horizontal**  
**Horizontale Gefrieranlage**  
**Congelador de Arcón**  
**Καταψυκτης Μπαουλο**

Notice d'utilisation  
Gebrauchsanweisung  
Instrucciones para el uso  
Οδηγίες χρήστη



**HSA 32520**

**EN|BI|IT|NL|FR|D|ES|EL**





## **WARNING!**

In order to ensure a normal operation of your refrigerating appliance, which uses a completely environmentally friendly refrigerant the R600a (flammable only under certain conditions) you must observe the following rules:

- ♦ Do not hinder the free circulation of the air around the appliance.
- ♦ Do not use mechanic devices in order to accelerate the defrosting, others than the ones recommended by the manufacturer.
- ♦ Do not destroy the refrigerating circuit.
- ♦ Do not use electric appliances inside the food beeping compartment, others than those that might have been recommended by the manufacturer.

## **UPOZORENJE!**

Kako bi se osigurao normalan rad vašeg zamrzivača koji koristi kompletno ekološki prihvatljivo rashladno sredstvo R600a (zapaljivo samo pod određenim uvjetima), trebate se pridržavati slijedećih pravila:

- ♦ Ne ometati slobodnu cirkulaciju zraka oko zamrzivača.
- ♦ Ne koristiti mehanička sredstva za ubrzavanje odleđivanja, koja nije preporučio proizvođač.
- ♦ Paziti da se ne ošteti krug rashladnog sredstva.
- ♦ Unutar prostora zamrzivača za spremanje namirnica ne koristiti električne uređaje koje nije preporučio proizvođač.

## **AVVERTENZA!**

Per garantire il funzionamento adeguato dell'elettrodomestico, che utilizza il refrigerante R600a completamente adatto all'ambiente (infiammabile solo in determinate condizioni), è necessario attenersi alle seguenti regole:

- ♦ Non ostacolare la libera circolazione dell'aria attorno all'elettrodomestico.
- ♦ Per accelerare lo sbrinamento non utilizzare dispositivi meccanici diversi da quelli consigliati dal produttore.
- ♦ Non danneggiare il circuito refrigerante.
- ♦ Non utilizzare all'interno del comparto del cibo elettrodomestici diversi da quelli consigliati dal produttore.

## **WAARSCHUWING!**

U moet de volgende regels in acht nemen om de normale werking van uw koelkast, die het volledig milieuvriendelijke koelmiddel R600a gebruikt, te verzekeren:

- ♦ Hinder de vrije luchtcirculatie rond het toestel niet.
- ♦ Gebruik geen andere mechanische toestellen om het ontdooien te versnellen dan de toestellen die door de fabrikant worden aangeraden.
- ♦ Vernietig het koelcircuit niet.
- ♦ Gebruik geen andere elektrische toestellen in de bewaarlade voor etenswaren dan de toestellen die eventueel door de fabrikant worden aangeraden.

## **ATTENTION!**

Pour assurer un fonctionnement normal de votre appareil qui utilise un agent frigorigère complètement écologique, R600a (inflammable seulement dans certaines conditions) vous devez respecter les règles suivantes:

- ♦ N'empêchez pas la libre circulation de l'air autour de l'appareil.
- ♦ N'utilisez pas des dispositifs mécaniques pour accélérer le dégivrage, autres que ceux recommandés par le fabriquant.
- ♦ Ne détruisez pas le circuit frigorigère.
- ♦ N'utilisez pas des appareils électriques à l'intérieur du compartiment pour conserver les denrées, apart celles qui sont éventuellement recommandés par le fabriquant.

## **WARNUNG!**

Ihr Gerät verwendet ein umweltverträgliches Kältemittel, R600a (nur unter bestimmten Umständen brennbar). Um einen einwandfreien Betrieb Ihres Gerätes sicherzustellen, beachten Sie bitte folgende Vorschriften:

- ♦ Die Luftzirkulation um das Gerät darf nicht behindert sein.
- ♦ Verwenden Sie außer der vom Hersteller empfohlenen, keine mechanischen Hilfsmittel, um den Abtauprozess zu beschleunigen.
- ♦ Der Kältemittelkreislauf darf nicht beschädigt werden.
- ♦ Verwenden Sie im Lebensmittelaufbewahrungsbereich Ihres Gerätes keine elektrischen Geräte, es sei denn, sie sind vom Hersteller empfohlen.

## **ADVERTENCIA**

Con el fin de garantizar un funcionamiento normal de su frigorífico, que utiliza un refrigerante totalmente respetuoso con el medio ambiente, el R600a (inflamable sólo en ciertas condiciones), se deben observar las pautas siguientes:

- ♦ No impedir la libre circulación del aire alrededor del electrodoméstico.
- ♦ Para acelerar el deshielo no se deben utilizar dispositivos mecánicos que no sean aquellos recomendados por el fabricante.
- ♦ No destruir el circuito de refrigeración.
- ♦ No utilizar aparatos eléctricos dentro del compartimento de aviso de alimentos que no sean los que pudiera haber recomendado el fabricante.

## **ΠΡΟΕΙΔΟΠΟΙΗΣΗ!**

Για να εξασφαλίσετε κανονική λειτουργία της ψυκτικής σας συσκευής, η οποία χρησιμοποιεί ένα πλήρως φιλικό προς το περιβάλλον ψυκτικό μέσο το R600a (εύφλεκτο μόνο υπό ορισμένες συνθήκες), πρέπει να τηρείτε τους ακόλουθους κανόνες:

- ♦ Μην εμποδίζετε την ελεύθερη κυκλοφορία του αέρα γύρω από τη συσκευή.
- ♦ Μη χρησιμοποιείτε μηχανικές διατάξεις για να επιταχύνετε την απόψυξη, εκτός από τα μέσα που συνιστά ο κατασκευαστής.
- ♦ Μην προκαλέσετε ζημιά στο ψυκτικό κύκλωμα.
- ♦ Μη χρησιμοποιείτε ηλεκτρικές συσκευές μέσα στο χώρο χώρους φύλαξης φαγητού, εκτός από αυτές που ενδεχομένως έχει συστήσει ο κατασκευαστής.

**EN****Content**

Advice for recycling of the old appliance /1  
 Packing Recycling /2  
 Transport instructions /2  
 Warnings and special advice /2  
 Setting up /3  
 Electric connection /3  
 Switching off /4  
 Appliance description /4  
 Freezer operation /4  
 Advice for food conservation /5  
 Replacing the interior light bulb /5  
 Defrosting of the appliance /6  
 Cleaning of the appliance /6  
 Defects finding guide /6

**BiH****Sadržaj**

Savjet za recikliranje starog uređaja /8  
 Recikliranje pakovanja /9  
 Upute vezane za transport /9  
 Upozorenja i poseban savjet /9  
 Postavljanje /10  
 Električno priključivanje /10  
 Isključivanje /11  
 Opis aparata /11  
 Rad zamrzivača /11  
 Zamjena unutarnje žarulje /12  
 Savjet za konzerviranje hrane /12  
 Odmrzavanje aparata /13  
 Čišćenje aparata /13  
 Vodič za otkrivanje kvarova /14

**IT****Indice**

Consigli per il riciclaggio del vecchio elettrodomestico /15  
 Riciclaggio dell'imballo /16  
 Istruzioni per il trasporto /16  
 Avvisi e consigli specifici /16  
 Installazione /17  
 Collegamento elettronico /17  
 Spegnimento /18  
 Descrizione elettrodomestico /18  
 Funzionamento freezer /18  
 Consigli per la conservazione del cibo /19  
 Sostituzione della lampadina interna /19  
 Sbrinamento dell'elettrodomestico /20  
 Pulizia dell'elettrodomestico /20  
 Guida per l'individuazione di difetti /21

**NL****Inhoud**

Advies voor het recycleren van het oude toestel /22  
 Recycleren van de verpakking /23  
 Transportinstructies /23  
 Waarschuwingen en speciaal advies /23  
 Installatie /24  
 Elektrische aansluiting /24  
 Uitschakelen /25  
 Beschrijving van toepassing /25  
 Invriezen /25  
 Advies voor voedselbewaring /26  
 Het binnenlichtje vervangen /26  
 Ontdooien van het apparaat /26  
 Reinigen van het apparaat /27  
 Probleemoplossing /27

**FR****Table de matieres**

Recyclage de votre ancien appareil /29  
 Recyclage de l'emballage /30  
 Instructions de transport /30  
 Avertissements et conseils /30  
 Installation /31  
 Raccordement au réseau électrique /31  
 Mise en fonctionnement /32  
 Description de l'appareil /32  
 Fonctionnement du congélateur /32  
 Conseils pour conserver les denrées /33  
 Dégivrage de l'appareil /34  
 Nettoyage de l'appareil /34  
 Remplacement de la lampe /34  
 Dysfonctionnements /35

**D****Inhalt**

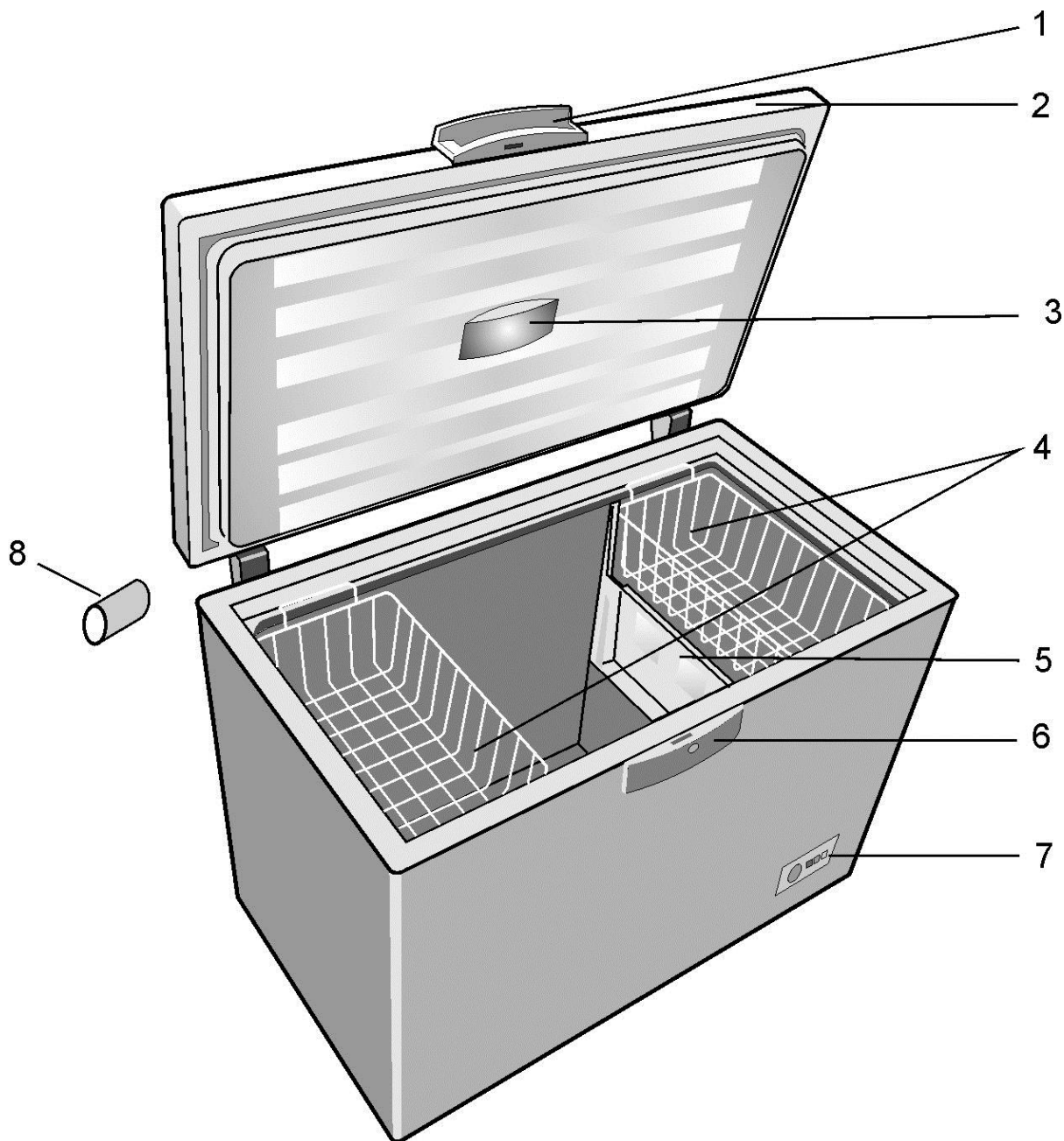
Empfehlungen zum Recycling Ihres alten Gerätes /36  
 Recycling der Verpackung /37  
 Transportvorschriften /37  
 Allgemeine Vorsichtsmaßnahmen und Empfehlungen /37  
 Die Umgebungstemperatur /38  
 Anschließen an das Spannungsnetz /38  
 Trennen vom Stromversorgungsnetz /39  
 Inbetriebnahme /39  
 Beschreibung des Gerätes /39  
 Einstellen der Temperatur /39  
 Tiefgefrieren von Lebensmitteln /40  
 Empfehlungen für das Enteisen des Gerätes /40  
 Innere Reinigung /41  
 Äußere Reinigung /41  
 Erneuern der inneren Glühbirne /41  
 Fehlersuchplan /41

**ES****Índice**

Consejos para reciclar el antiguo aparato /43  
 Reciclado del embalaje /44  
 Instrucciones de transporte /44  
 Advertencias y consejos especiales /44  
 Instalación /45  
 Conexiones eléctricas /45  
 Desconexión /45  
 Descripción del electrodoméstico /46  
 Funcionamiento del congelador /46  
 Consejos para la conservación de alimentos /46  
 Deshielo del aparato /47  
 Limpieza del aparato /48  
 Sustitución de la bombilla interior /48  
 Guía de localización de averías /48

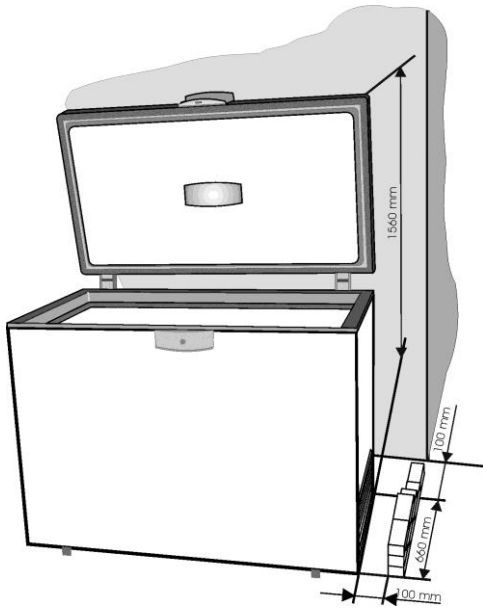
**EL****Περιεχόμενα**

Συμβουλές για την ανακύκλωση της παλιάς συσκευής /50  
 Ανακύκλωση της συσκευασίας /51  
 Οδηγίες για τη μεταφορά /51  
 Προειδοποιήσεις και εξειδικευμένες συμβουλές /51  
 Εγκατάσταση /52  
 Ηλεκτρική σύνδεση /52  
 Απενεργοποίηση /53  
 Περιγραφή της συσκευής /53  
 Λειτουργία του καταψύκτη /54  
 Συμβουλές για τη διατήρηση των τροφίμων /54  
 Απόψυξη της συσκευής /55  
 Καθαρισμός της συσκευής /55  
 Αντικατάσταση της εσωτερικής λάμπας /55  
 Οδηγός ανεύρεσης βλαβών /56

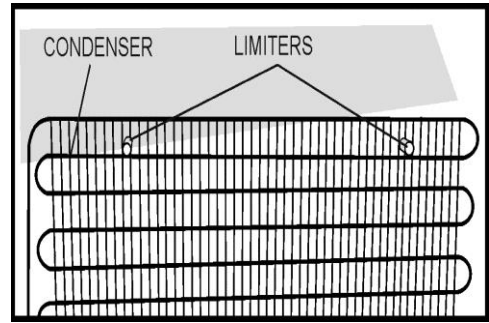


# 1

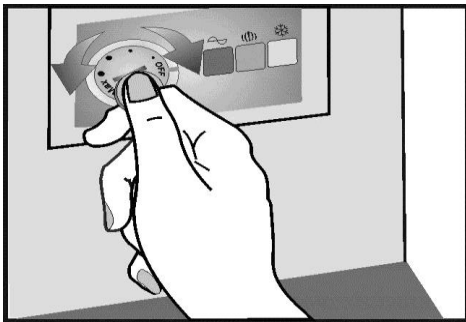
- ❏ Figures that take place in this instruction manual are schematic and may not correspond exactly with your product. If the subject parts are not included in the product you have purchased, then it is valid for other models.
- ❏ Slike koje se nalaze u ovom priručniku su shematske i možda se ne ogovaraju u potpunosti vašem proizvodu. Ako dijelovi naslova nisu sadržani u proizvodu koji ste kupili, onda to vrijedi za ostale modele.
- ❏ Le illustrazioni contenute in questa guida sono schematiche e potrebbero non corrispondere esattamente al prodotto in uso. Se le parti in oggetto non sono incluse nel prodotto acquistato, significa che sono da intendersi per altri modelli.
- ❏ De afbeeldingen in deze gebruiksaanwijzing zijn schematisch en hoeven niet exact met uw product overeen te komen. Wanneer onderdelen niet tot het product behoren dat u hebt gekocht, gelden deze voor andere modellen.
- ❏ Les illustrations présentées dans cette notice d'utilisation sont schématiques et peuvent ne pas correspondre exactement à votre produit. Si des pièces présentées ne sont pas comprises dans le produit que vous avez acheté, elles sont valables pour d'autres modèles.
- ❏ Abbildungen und Angaben in dieser Anleitung sind schematisch und können etwas von Ihrem Produkt abweichen. Falls Teile nicht zum Lieferumfang des erworbenen Gerätes zählen, gelten sie für andere Modelle.
- ❏ Las ilustraciones incluidas en el presente manual de instrucciones son esquemáticas y puede que no se adecúen a su aparato con exactitud. Si alguno de los elementos reflejados no se corresponde con el aparato que usted ha adquirido, entonces será válido para otros modelos.
- ❏ Οι εικόνες σ' αυτό το εγχειρίδιο οδηγιών είναι σχηματικές και ενδέχεται να μην ανταποκρίνονται ακριβώς στο προϊόν σας. Αν ορισμένα εξαρτήματα δεν περιλαμβάνονται στο προϊόν που έχετε προμηθευτεί, τότε ισχύουν για άλλα μοντέλα.



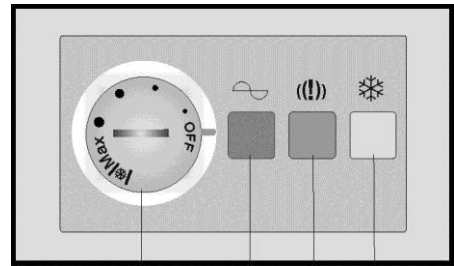
2



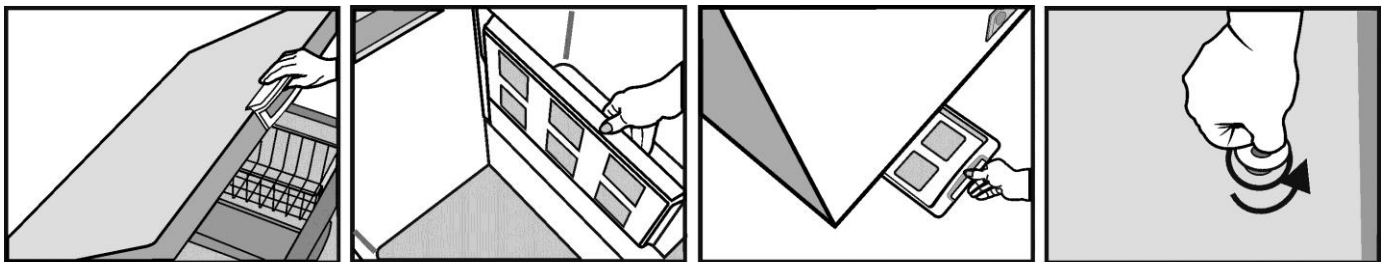
3



4



5



1

2

3

4

6

## **Congratulations for your choice!**

The chest freezer you have purchased is one in the **BEKO** products range and represents a harmonious joining between the refrigeration technique with the aestetical outlook. It has a new and attractive design and is built according to the European and national standards which guarantee its operation and safety features. At the same time, the used refrigerant, R600a, is environment-friendly and it does not affect the ozone layer.

In order to use the best your freezer, we advise you to read carefully the information in these user instructions.

## **Advice for recycling your old appliance**

If your newly purchased appliance replaces an older appliance, you must consider a few aspects.

The old appliances are not valueless scrap. Their disposal, while preserving the environment, allows the recovery of important raw materials.

Make your old appliance useless :

- disconnect the appliance from the supply;
- remove the supply cord (cut it);
- remove the eventual locks on the door to avoid the blocking of children inside, while playing, and the endangering of their lives.

The refrigerating appliances contain insulating materials and refrigerants which require a proper recycling.

Original Spare parts will be provided for 10 years, following the product purchasing date.

**This appliance is not intended for use by person with reduced physical, sensory or mental capabilities or lack of experience and knowledge unless they have been given supervision or instruction concerning use of the appliance by a person responsible for their safety. Children should be supervised to ensure that they do not play with the appliance.**

## **Packing Recycling**

### **WARNING!**

**Do not allow children to play with the packing or with parts of it. There is the risk of suffocation with parts of corrugated cardboard and with plastic film.**

In order to get to you in good condition, the appliance was protected with a suitable packing. All the materials of the packing are compatible with the environment and recyclable. Please help us recycle the packing while protecting the environment !

### **IMPORTANT!**

Before putting the appliance in operation, read carefully and entirely these instructions. They contain important information concerning the setting up, use and maintenance of the appliance.

The manufacturer is free of any responsibility if the information in this document are not observed. Keep the instructions in a safe place in order to reach them easily in case of need. They can also be useful subsequently by another user.

### **ATTENTION!**

**This appliance must be used only for its intended purpose, (household use), in suitable areas, far from rain, moisture or other weather conditions.**

## **Transport instructions**

The appliance must be transported, as much as possible, only in vertical position. The packing must be in perfect condition during transport.

If during transport the appliance was put in horizontal position (only according to the markings on the packing), it is advised that, before putting it into operation, the appliance is left to rest for 4 hours in order to allow the settling of the refrigerating circuit.

The failure to observe these instructions can cause the breakdown of the motorcompressor and the cancellation of its warranty.

## **Warnings and general advice**

- Do not plug in the appliance if you noticed a failure.
- The repairs must be done only by qualified personnel.
- In the following situations please unplug the appliance from the mains:
  - when you defrost completely the appliance;
  - when you clean the appliance.

**To unplug the appliance, pull by the plug, not by the cable!**

- Ensure the minimum space between the appliance and the wall against which it is placed.
- Do not climb on the appliance.
- Do not allow the children to play or hide inside the appliance.
- Never use electric appliances inside the freezer, for defrosting.
- Do not use the appliance near heating appliances, cookers or other sources of heat and fire.
- Do not leave the freezer door open more than it is necessary to put in or take out the food.
- Do not leave the food in the appliance if it is not working.
- Do not keep inside products containing flammable or explosive gases.
- Do not keep inside fizzy drinks (juice, mineral water, champagne, etc.) in the freezer: the bottle can explode! Do not freeze drinks in plastic bottles.
- Do not eat ice cubes or icecream immediately after having taken them out of the freezer because they may cause „freezer burns”.
- Never touch cold metal parts or frozen food with wet hands because your hands can quickly freeze on the very cold surfaces.
- For the protection of the appliance during warehousing and transport, it is provided with spacers between the door and the cabinet (in the front and rear side). These spacers will be removed before putting the appliance into operation.



- Excess deposit of ice on the frame and the baskets should be removed regularly with the plastic scraper provided. Do not use any metal parts to remove the ice.

The presence of this ice build-up makes impossible to close the door correctly.

- If you do not use your appliance for a few days, it is not advisable to switch it off. If you do not use it for a longer period, please proceed as follows :

- unplug the appliance;
- empty the freezer;
- defrost it and clean it;
- leave the door open to avoid the formation of unpleasant smells.

- If the supply cord is damaged, it must be replaced by the manufacturer, its service agent or similarly qualified persons in order to avoid a hazard.

- If your appliance has a lock, keep it locked and store the key in a safe place, out of the reach of children. If you are discarding an appliance with lock, make sure that, is made ineffective. This is very important so as to avoid children being trapped inside, which may cause their loss of life.

## Setting up

This appliance was designed to operate at an ambient temperature between  $-15^{\circ}\text{C}$  and  $+43^{\circ}\text{C}$ . If the ambient temperature is above  $+43^{\circ}\text{C}$ , inside the appliance the temperature can increase.

Set up the appliance far from any source of heat and fire. Placing it in a warm room, the direct exposure to sunbeams or near a heat source (heaters, cookers, ovens), will increase the energy consumption and shorten the product life.

- Please observe the following minimum distances:

- 100 cm from the cookers working with coal or oil;
- 150 cm from the electric and gas cookers.

- Ensure the free circulation of the air around the appliance, by observing the distances shown in Item 2.

Assemble on the condenser (in the rear side) the supplied spacers. (Item 3).

- Place the appliance in a perfectly even, dry and well ventilated place.

Assemble the supplied accessories.

## Electric connection

Your appliance is intended to operate at a single-phase voltage of 220-240V/50 Hz. Before plugging in the appliance, please make sure that the parameters of the mains in your house (voltage, correct type, frequency) comply to the operation parameters of the appliance.

- The information concerning the supply voltage and the absorbed power is given on the marking label placed in the back side of the freezer.

- The electric installation must comply with the law requirements.

- **The earthing of the appliance is compulsory. The manufacturer has no responsibility for any damage to persons, animals or goods which may arise from the failure to observe the specified conditions.**

- The appliance is endowed with a supply cord and a plug (European type, marked 10/16A) with double earthing contact for safety. If the socket is not the same type with the plug, please ask a specialised electrician to change it.

- Do not use extension pieces or multiple adapters.

## Switching off

The switching off must be possible by taking the plug out of the socket or by means of a mains two-poles switch placed before the socket.

## Operation

Before putting into operation, clean the inside of the appliance (see chapter „Cleaning“). After finishing this operation please plug in the appliance, adjust the thermostat knob to an average position. The green and red LEDs in the signalling block must light. Leave the appliance work for about 2 hours without putting food inside it. The freezing of the fresh food is possible after min. 20 hours of operation.

## Appliance description

(Item. 1)

1. Door handle
2. Door
3. Lamp housing
4. Baskets
5. Tray
6. Lock housing
7. Thermostat box
8. Spacer for transport

## Freezer operation

### Temperature adjustment

The temperature of the freezer is adjusted by means of the knob assembled on the thermostat (item. 4), position „MAX“ being the lowest temperature.

The achieved temperatures can vary according to the conditions of use of the appliance, such as: place of the appliance, ambient temperature, frequency of door opening, extent of filling with food of the freezer. The position of the thermostat knob will change according to these factors. Normally, for an ambient temperature of approx. 32°C, the thermostat will be adjusted on an average position.

**The signalling system** is placed on the front side of the freezer (Item 5).

It includes:

1. Thermostat adjustment knob – the inside temperature is adjusted.
2. green LED – shows that the appliance is supplied with electric energy.
3. red LED – damage – lights if the temperature in the freezer is too high. The LED will operate 15-45 minutes after the putting into operation of the freezer, then it must go off. If the LED goes on during the operation, this means that defects have occurred.
4. LED Orange– fast freeze function activated – by setting the knob to Superfreeze position the orange led goes on, showing that the appliance entered into the "fast freeze" mode. The exit of this mode is done automatically after 50 hours then the appliance runs in economic mode, and the orange led goes off.

The three LEDs give information about the mode of operation of the freezer.

## **Advice for food conservation**

The freezer is intended to keep the frozen food for a long time, as well as to freeze fresh food.

One of the main elements for a successful food freezing is the packing.

The main conditions that the packing must fulfill are the following: to be airtight, to be inert towards the packed food, to resist to low temperatures, to be proof to liquids, grease, water vapours, smells, to be able to be washed.

These conditions are fulfilled by the following types of packings: plastic or aluminium film, plastic and aluminium vessels, waxed cardboard glasses or plastic glasses.

### **IMPORTANT!**

- For freezing the fresh food please use the supplied baskets of the appliance.
- Do not place into the freezer a too large quantity of food at a time. The quality of the food is best kept if they are deeply frozen as quickly as possible. This is why it is advisable not to exceed the freezing capacity of the appliance specified in the "Product Fiche".
- The fresh food must not come into contact with the food already frozen.
- The frozen food you have bought can be placed into the freezer without having to adjust the thermostat.
- If the freezing date is not mentioned on the packing, please take into consideration a period of max. 3 months, as a general guide.
- The food, even partially defrosted, cannot be frozen again, it must be consumed immediately or cooked and then refrozen.
- The fizzy drinks will not be kept in the freezer.
- In case of a power failure, do not open the door of the appliance. The frozen food will not be affected if the failure lasts less than 36 hours.

## **Freezing with Superfrost**

- Place the knob to super frost position. The Superfrost lamp comes on.
- Wait 24 hours.
- Place the fresh food in the freezer. In order to achieve fast freezing, food should be in contact with the interior walls when it is placed in the freezer.
- The Superfrost facility automatically switches the fast freezing procedure off after 50 hours.

### **Important**

**When you place the knob to Superfrost position, the compressor might not switch on for a few minutes. This is due to the integrated rise-delay switch which is designed to increase the life span of the refrigeration unit.**

You should not switch on the Superfrost function:

- when placing frozen food in the freezer;
- when freezing up to approx. 2 kg fresh food daily.

## **Replacing the interior light bulb**

If the lamp burns out, disconnect the appliance from the mains. Take out the lamp trim. Make sure the lamp is screwed correctly. Plug in the appliance again. If the lamp still does not go on, replace it with another one model E14-15W. Mount back the lamp trim in its place.

The lamp(s) used in this appliance is not suitable for household room illumination. The intended purpose of this lamp is to assist the user to place foodstuffs in the refrigerator/freezer in a safe and comfortable way.

The lamps used in this appliance have to withstand extreme physical conditions such as temperatures below -20°C.

## ***Defrosting of the appliance***

- We advise you to defrost the freezer at least twice a year or when the ice layer has an excessive thickness.
  - The ice build-up is a normal phenomenon.
  - The quantity and the rapidity of ice build-up depends on the ambient conditions and on the frequency of the door opening.
  - We advise you to defrost the appliance when the quantity of frozen food is the least.
  - Before defrosting, adjust the thermostat knob to a higher position so that the food stores more cold.
  - Unplug the appliance.
  - Take out the frozen food, wrap it in several sheets of paper and put them in refrigerator or a cool place.
- Take the separator panel and put it under the freezer in the direction of the dripping tube. Take out the obstructing plug. The water which results will be collected in the special tray (separator panel). After the melting of the ice and the run-off of the water please wipe with a cloth or with a sponge, then dry well. Put the obstruction plug back in its place. (Item. 6)
- For a fast thaw please leave the door open.

**Do not use sharp metal objects to remove the ice.**

**Do not use hairdriers or other electric heating appliances for defrosting.**

## ***Inside cleaning***

Before starting the cleaning, unplug the appliance from the mains.

- It is advisable to clean the appliance when you defrost it.
- Wash the inside with lukewarm water where you add some neutral detergent. Do not use soap, detergent, gasoline or acetone which can leave a strong odour.
- Wipe with a wet sponge and dry with a soft cloth.

During this operation, avoid the excess of water, in order to prevent its entrance into the thermal insulation of the appliance, which would cause unpleasant odours. Do not forget to clean also the door gasket especially the bellow ribs, by means of a clean cloth.

## ***Outside cleaning***

- Clean the outside of the freezer by means of a sponge soaked in soapy warm water, wipe with a soft cloth and dry.
  - The cleaning of the outside part of the refrigerating circuit (motorcompressor, condenser, connection tubes) will be done with a soft brush or with the vacuum-cleaner. During this operation, please take care not to distort the tubes or detach the cables.
- Do not use scouring or abrasive materials !**
- After having finished the cleaning, replace the accessories at their places and plug in the appliance.

## ***Defects finding guide***

**The appliance does not work.**

- There is a power failure.
- The plug of the supply cord is not inserted well into the socket.
- The fuse is blown.
- The thermostat is in „OFF” position.

**The temperatures are not low enough (red LED on).**

- The food prevents the door closing.
- The appliance was not placed correctly.
- The appliance is placed too close to a heat source.
- The thermostat knob is not in the correct position.

**Excessive ice build-up**

- The door was not closed properly.

**The inside lighting does not work**

- The lamp is blown. Unplug the appliance from the mains, take out the lamp and replace it with a new one.

**The following are not defects**

- Possible noddings and cracks coming from the product: circulation of the refrigerant in the system.

### Noises during operation

In order to keep the temperature at the value you have adjusted, the compressor of the appliance starts periodically.

The noises which can be heard in such situation are normal.

They are reduced as soon as the appliance reaches the operation temperature.


The humming noise is made by the compressor. It can become a little stronger when the compressor starts.

The bubbling and gurgling noises coming from the refrigerant circulating in the pipes of the appliance, are normal operating noises.

### **Warning !**

Never try to repair yourself the appliance or its electric components. Any repair made by an unauthorised person is dangerous for the user and can result in the warranty cancellation.



The symbol  on the product or on packaging indicates that this product may not be treated as household waste. Instead it shall be handed over to the applicable collection point for the recycling of electrical and electronic equipment. By ensuring this product is disposed of correctly, you will help prevent potential negative consequences for the environment and human health, which could otherwise be otherwise be caused by inappropriate waste handling of this product. For more detailed information about recycling of this product, please contact your local city office, your household waste disposal service or the shop where you purchased the product.

## Čestitamo na vašem izboru!

Škrinja zamrzivač koji ste kupili je jedan u BEKO rangu proizvoda i predstavlja harmonično spajanje tehnike frižidera sa estetskim izgledom. On ima novi i atraktivan dizajn i izrađen je prema evropskim i državnim standardima koji garantuju njegov rad i sigurnosna svojstva. U isto vrijeme, korišteni rashladni medij, R600a, je pogodan za okoliš i nema uticaja na ozonski omotač.

Da biste na najbolji način koristili vaš frižider, savjetujemo vam da pažljivo pročitate informacije u ovom uputstvu za korisnika.

## Savjet za recikliranje vašeg starog uređaja

Ako će vaš novi uređaj koji ste kupili zamijeniti neki stari uređaj, morate razmotriti nekoliko aspekata.

Stari uređaji nisu bezvrijedni otpad. Njihovo odlaganje, pored zaštite okoliša, omogućava obnavljanje bitnih sirovina.

Učinite vaš stari uređaj neupotrebljivim:

- isključite aparat sa napajanja;
- uklonite napojni kabal (presjecite ga);
- uklonite eventualne brave na vratima da izbjegnute zatvaranje djece unutra, dok se igraju, kao i dovođenje njihovih života u opasnost.

Rashladni uređaji sadrže izolirajuće materijale i rashladne medije koji zahtijevaju pravilno recikliranje.

Originalni rezervni dijelovi biće obezbijeđeni za narednih 10 godina počev od datuma kupovine proizvoda.

**Aparat nije pogodan za upotrebu od strane osoba umanjениh fizičkih, senzornih ili mentalnih sposobnosti ili osoba ograničenog iskustva i znanja, osim pod nadzorom i u skladu sa uputama osobe zadužene za njihovu sigurnost. Potrebno je paziti da se djeca ne igraju sa uređajem.**

## Recikliranje ambalaže

### UPOZORENJE!

**Nemojte dopustiti djeci da se igraju sa ambalažom ili njenim dijelovima. Postoji rizik od gušenja dijelovima valovitog kartona i plastičnom/najlonskom folijom.**

Da bi uređaj došao do vas u ispravnom stanju, on je zaštićen prikladnim pakovanjem. Svi materijali korišteni na pakovanju su kompatibilni sa okolišem i mogu se reciklirati. Molimo vas pomozite nam da recikliramo ambalažu dok štitimo okoliš!

### VAŽNO!

Prije puštanja uređaja u rad, pažljivo i u potpunosti pročitajte ova uputstva. Ona sadrže važne informacije koje se tiču postavljanja, upotrebe i održavanja uređaja. Proizvođač je oslobođen bilo kakve odgovornosti ukoliko se informacije u ovom dokumentu ne slijede. Čuvajte ova uputstva na sigurnom mjestu kako biste ih mogli lako dosegnuti u slučaju potrebe. Ona takođe mogu biti korisne naknadno od strane drugog korisnika.

### PAŽNJA!

**Ovaj uređaj se mora koristiti samo u svrhe za koje je namijenjen, (kućna upotreba), u pogodnim područjima, daleko od kiše, vlage ili drugih vremenskih uslova.**

## Upute za transport

Uređaj se mora transportovati, koliko god je to moguće, samo u uspravnom položaju.

Pakovanje mora biti u savršenom stanju za vrijeme pakovanja.

Ako se uređaj za vrijeme transporta satvi u horisontalan položaj (samo u skladu sa oznakama na pakovanju), preporučuje se da se, prije puštanja u rad, uređaj ostavi da odmara 4 sati kako bi se omogućilo slegnulo kruženje medija.

Na pridržavanje ovih uputstava može uzrokovati kvar kompresora motora i poništavanje njegove garancije.

## Upozorenja i opšti savjet

- Nemojte uključivati uređaj u utičnicu ako ste primjetili kvar.
- Popravak moraju izvoditi samo kvalifikovane osobe.
- U sljedećim situacijama molimo vas isključite uređaj iz elektro mreže:
  - kada u potpunosti odmrzavate uređaj;
  - kada čistite uređaj.

### Da isključite uređaj iz utičnice, povucite za utikač, a ne za kabal!

- Osigurajte minimum prostora između uređaja i zida naspram kojeg je postavljen.
- Nemojte se penjati na uređaj.
- Ne dopustite djeci da se igraju, niti da se skrivaju u uređaju.
- Nikada nemojte koristiti električne uređaje unutar zamrzivača da odmrzavate.
- Nemojte koristiti uređaj u blizini uređaja za grijanje, štednjaka, ili drugih izvora topline ili vatre.
- Nemojte ostavljati vrata zamrzivača otvorenim duže nego je potrebno da stavite ili izvadite hranu.
- Ne ostavljate namirnice u aparat ako nije uključen.
- Ne ostavljajte proizvode koji sadrže zapaljive ili eksplozivne plinove.
- Nemojte držati pjenušava/gazirana pića (đus, mineralnu vodu, šampanjac itd.) u zamrzivaču: flaša može eksplodirati! Nemojte zamrzavati pića u plastičnim flašama.
- Nemojte jesti ledene kocke ili sladoled odmah nakon što ih izvadite iz zamrzivača jer oni mogu izazvati "opekline od smrzavanja".
- Nikada ne dodirujte metalne dijelove ili smrznutu hranu mokrim rukama jer se vaše ruke mogu brzo zalijepiti za veoma hladne površine.
- Radi zaštite uređaja za vrijeme skladištenja i transporta, on je obezbijeđen umetcima između vrata i kabineta (s prednje i stražnje strane). Ove umetke treba ukloniti prije puštanja uređaja u rad.

- Prekomjerni talog leda na okviru i korpama bi trebalo uklanjati redovno pomoću plastične strugalice koja je isporučena. Nemojte koristiti nikakve metalne dijelove da uklanjate led. Pristustvo tih naslaga leda onemogućava pravilno zatvaranje vrata.

- Ako ne koristite vaš uređaj nekoliko dana, isključivanje uređaja nije preporučljivo.

Ukoliko uređaj ne koristite na duži period, molimo da se pridržavate sljedećeg:

- iskopčajte aparat;
- ispraznite zamrzivač;
- odmrznite ga i očistite;
- ostavite vrata otvorena da biste izbjegli stvaranje nerijetkih mirisa.
- Ako je napojni kabal oštećen, mora se zamijeniti od strane proizvođača, njegovog servisnog zastupnika ili osobe sličnih kvalifikacija da biste izbjegli opasnost.
- Ako vaš uređaj ima bravu, držite je zaključanom i ostavite ključ na sigurno mjesto, van dohvata djece. Ako odlažete neki uređaj sa bravom, osigurajte da je brava stavljena van funkcije. To je vrlo važno kako bi se izbjeglo da djeca budu zatvorena unutra, što može prouzrokovati gubitak njihovog života.

## Postavljanje

Ovaj uređaj je dizajniran da radi u ambijentu gdje je temperatura između  $-15^{\circ}\text{C}$  i  $+43^{\circ}\text{C}$ . Ako je temperatura u okolini viša od  $+43^{\circ}\text{C}$ , temperaura unutar uređaja se može povećati.

Postavite uređaj dalje od bilo kojeg izvora topline i vatre. Postavljanje uređaja u toplu prostoriju, direktna izloženost sunčevim zrakama ili u blizina izvora topline (grijalice, štednjaci, pećnice) će povećati potrošnju energije i skratiti vijek trajanja proizvoda.

- Molimo da se pridržavata sljedećih minimalnih udaljenosti:
  - 100 cm od peći na ugalj ili naftu;
  - 150 cm od električnih i plinskih štednjaka.
- Osigurajte slobodnu cirkulaciju zraka oko uređaja, poštujući udaljenosti prikazane u stavci 2.

Montirajte na kondenzatoru (na stražnjoj strani) isporučene umetke. (stavka 3).

- Postavite uređaj na savršeno ravno, suho i dobro ventilirano mjesto.

Montirajte isporučenu dodatnu opremu.

## Električne veze

Vaš uređaj je namijenjen za rad pri monofaznom naponu od 220-240V/50 Hz. Prije uključivanja uređaja, molimo vas uvjerite se da su parametri električne mreže u vašoj kući (napon, struja, frekvencija) u skladu sa radnim parametrima uređaja.

- Informacije vezane za napon napajanja i apsorbovanu snagu date su na etiketi sa oznakama koja se nalazi na stražnjoj strani zamrzivača.
- Električna instalacija mora biti u skladu sa zakonskim potrebama.
- **Uzemljenje uređaja je obavezno. Proizvođač ne snosi nikakvu odgovornost za bilo kakvu povredu/oštećenje osoba, životinja ili dobara koje može biti prouzrokovano propustom i nepoštivanjem specificiranih uslova.**
- Uređaj je ispučen sa napojnim kablom i utikačem (evropski tip, oznaka 10/16A) s dvostrukim kontaktom za uzemljenje radi sigurnosti. Ukoliko utičnica nije istog tipa kao utikač, obratite se kvalifikovanom električaru radi izmjene.
- Nemojte koristiti produžetke ili višestruke adaptere.



## Isključivanje

Isključivanje mora biti moguće vađenjem utikača iz utičnice ili pomoću dvopolne sklopke postavljene prije utičnice.

## Rad

Prije puštanja u rad, očistite unutrašnjost uređaja (vidi poglavlje "Čišćenje"). Nakon dovršavanja operacije čišćenja molimo vas uključite uređaj u utičnicu, podesite tipku termostata u srednji položaj. Zeleni i crveni LED u bloku signaliziranja moraju svijetliti. Ostavite uređaj da radi oko 2 sata bez stavljanja namirnica u njega. Zamrzavanje svježih hrane je moguće nakon minimalno 20 sati rada.

## Opis aparata

(Stavka. 1)

1. Ručka vrata
2. Vrata
3. Kućište sijalice
4. Korpe
5. Proba
6. Zaključajte kućište
7. Kutija termostata
8. Umetci za transport

## Rad zamrzivača

### Podešavanje temperature

Temperatura zamrzivača se podešava pomoću tipke montirane na termostatu (stavka. 4), položaj "MAX" znači najniža temperatura.

Temperature koje se postignu mogu varirati u skladu sa uslovima upotrebe uređaja, kao što su: mjesto uređaja, temperatura okoline, učestalost otvaranja vrata, mjera punjenja zamrzivača hranom. Položaj tipke termostata će se promijeniti u skladu sa ovim faktorima. Obično, za temperaturu okoline od otprilike 32 °C, termostat će biti podešen u srednji položaj.

**Sistem signaliziranja** je smješten na prednjoj strani zamzivača (Stavka 5).

To uključuje:

1. Gumb za prilagođavanje termostata – podešavanje unutarnje temperature.
2. zelena LED lampica - pokazuje da uređaj prima struju.
3. crvena LED lampica – svijetli ako je temperatura u škrinji previsoka. LED lampica će svijetliti oko 15-45 minuta nakon uključivanja uređaja, nakon toga se mora isključiti. Ako se LED lampica uključi za vrijeme rada, to znači da je došlo do kvara.
4. Narančasta LED dioda – aktivirana funkcija brzog zamrzavanja – namještanjem gumba u položaj Superzamrzavanje uključit će se narančasta LED dioda koja ukazuje na to da je uređaj započeo s načinom rada „brzo zamrzavanje”. Ovaj način rada prekida se automatski nakon 50 sati, potom uređaj radi u ekonomičnom načinu rada i isključuje se narančasta LED dioda.

Tri LED lampice pružaju informacije o načinu rada škrinje.

## Savjet za konzerviranje hrane

Zamrzivač je namijenjen da održava zamrznutu hranu na duže vrijeme, kao i da zamrzava svježnu hranu.

Jedan od glavnih elemenata za uspješno zamrzavanje hrane je pakovanje.

Glavni uslovi koje pakovanje mora ispunjavati su sljedeći: da bude hermetički zatvoreno, da bude inertno prema pakovanoj hrane, da bude otporno na niske temperature, da bude otporno na tečnosti, masnoće, isparavanje vode, mirise, da ga je moguće prati.

Ove uslove ispunjavaju sljedeće vrste pakovanja: plastična/najlonska ili aluminijska folija, plastične i aluminijske posude, papirne čaše ili plastične čaše premazane voskom.

### **VAŽNO!**

- Za zamrzavanje svježih hrane molimo vas koristite isporučene korpe uređaja.
- Nemojte stavljati u zamrzivač prevelike količine hrane istovremeno. Kvalitet hrane se najbolje očuva ukoliko se ona duboko zamrzne što je brže moguće.

Stoga se preporučuje da ne premašujete kapacitet zamrzavanja uređaja koji je specificiran u "PRODUCT FICHE". Da biste skratili vrijeme zamrzavanja, pritisnite tipku za "brzo zamrzavanje".

- Svježa hrana ne smije doći u dodir sa hranom koja je već zamrznuta.
- Zamrznuta hrana koju ste kupili može se staviti u zamrzivač bez potrebe za podešavanjem termostata.
- Ako datum zamrzavanja nije naveden na pakovanju, molimo vas uzmite u obzir period od max. 3 mjeseca, kao neki opšti vodič.
- Hrana, čak i djelimično zamrznuta, ne može biti zamrznuta ponovo, mora se odmah konzumirati ili skuhati i onda ponovo zamrznuti.
- Gazirana i pjenušava pića se ne mogu držati u zamrzivaču.
- U slučaju pada napona, nemojte otvarati vrata uređaja. Na zamrznutu hranu ne bi trebalo biti uticaja ako pad napona traje manje od 36 sati.

### **Zamrzavanje pomoću funkcije Superzamrzavanje**

- Okrenite gumb u položaj superzamrzavanje. Upalit će se lampica Superzamrzavanje.
- Pričekajte 24 sata.
- Stavite svježu hranu u zamrzivač. Da bi se postiglo brzo zamrzavanje, hrana bi trebala dodirivati unutarnje stijenke pri stavljanju u zamrzivač.
- Uređaj za superzamrzavanje automatski isključuje postupak brzog zamrzavanja nakon 50 sati.

### **Važno**

**Kad okrenete gumb u položaj Superzamrzavanje, kompresor se možda neće uključiti nekoliko minuta. Razlog tomu je ugrađena sklopka s odgodom porasta koja je namijenjena povećanju životnog vijeka rashladne jedinice.**

Funkciju Superzamrzavanja ne smijete uključiti:

- kad stavljate zamrznutu hranu u zamrzivač,
- kad zamrzavate do otprilike 2 kg svježe hrane dnevno.

### **Zamjena unutarnje žarulje**

Ako žarulja izgori, isključite uređaj iz struje. Izvadite okvir žarulje. Pazite da je žarulja dobro zavrnutu. Ponovno uključite uređaj. Ako se lampa još ne pali, zamijenite je drugom, modelom E14-15W. Ponovno namontirajte okvir žarulje na mjesto.

Lampa koja se koristi u ovom uređaju nije podesna za uporabu za osvjetljenje doma. Predviđena namjena ove lampe je da pomogne korisniku da stavi hranu u hladnjak/škrinju na siguran i ugodan način. Svjetiljke ovog uređaja moraju podnijeti ekstremne uvjete poput temperatura nižih od -20°C.

## Odmrzavanje aparata

- Preporučujemo vam da odmrznete zamrzivač najmanje dva puta godišnje ili kada su naslage leda prevelike debljine.
  - Naslaga leda je normalna pojava.
  - Količina i brzina stvaranja leda ovisi o uslovima okoline i o učestalosti otvaranja vrata.
  - Preporučujemo vam da odmrznete uređaj pri najmanjoj količini zamrznute hrane.
  - Prije zamrzavanja, podesite tipku termostata u viši položaj tako da namirnice pohranjuju više hladnoće.
- Isključite uređaj iz utičnice.  
- Izvadite zamrznutu hranu, umotajte je u nekoliko slojeva papira i stavite je u frižider ili na hladno mjesto.
- Uzmite separatorsku ploču i stavite je ispod zamrzivača u smjeru cijevi za kapanje. Izvadite čep koji zatvara. Voda koja se javlja će biti prikupljena u posebnu posudu (separatorska ploča). Nakon otapanja leda i isticanja vode, molimo vas obrišite krpom ili spužvom, a zatim dobro posušite. Postavite čep za zatvaranje natrag u njegovo ležište. (Stavka. 6)

Za brzo otapanje molimo vas ostavite vrata otvorena.

**Nemojte koristiti oštre metalne predmete da uklanjate led.**

**Nemojte koristiti fenove za kosu ili druge električne uređaje za zagrijavanje da biste odmrzavali.**

## Čišćenje unutrašnjosti

Prije čišćenja, isključite uređaj iz električne mreže.

- Preporučljivo je da očistite uređaj kada ga odmrzavate.
- Operite unutrašnjost mlakom vodom u koju ćete dodati malo neutralnog deterdženta. Nemojte koristiti sapun, deterdžent, benzin ili aceton koji mogu ostaviti jake mirise.
- Obrišite mokrom spužvom i posušite mekanom krpom.

Za vrijeme ovih radnji, izbjegavajte previše vode, kako biste spriječili njeno prodiranje u termalnu izolaciju uređaja, što bi uzrokovalo neprijatne mirise.

Ne zaboravite očistiti takođe zaptivač na vratima, naročito ispod izbočina, pomoću čiste krpe.

## Čišćenje spoljašnjosti

- Očistite spoljašnost zamrzivača pomoću spužve umočene u sapunastu toplu vodu, prebrišite mekanom krpom i posušite.
- Čišćenje spoljašnjeg dijela rashladnog kruženja (kompresor motora, kondenzator, priključne cijevi) može se uraditi mekanom četkom ili pomoću usisivača. Molimo da tokom ovog postupka vodite računa da ne iskrivljujete priključne cijevi ili da ne odvajate kablove.

**Nemojte koristiti materijale za čišćenje ili abrazivne materijale!**

- Nakon što završite čišćenje, vratite dodatke na svoje mjesto i uključite uređaj u utičnicu.

## Vodič za otkrivanje grešaka

### Aparat ne radi.

- Desio se pad napona.
- Utikač napojnog kabla nije priključen u utičnicu na odgovarajući način.
- Osigurač je pregorio.
- Termostat je u položaju „ISKLJ.” („OFF”).

### Temperature nisu dovoljno niske (crveni LED je uklj.).

- Hrana sprječava zatvaranje vrata.
- Uređaj nije pravilno postavljen.
- Uređaj je postavljen preblizu izvoru topline.
- Tipka termostata nije u ispravnom položaju.

### Prekomjerno stvaranje leda

- Vrata nisu ispravno zatvorena.

### Sljedeće nije greška

- Mogući tragovi ili pukotine koji se javljaju na proizvodu: cirkulacija rashladnog medija u sistemu.

## Buka za vrijeme rada

Da bi se temperatura održavala na vrijednostima koje ste vi podesili, kompresor u uređaju se uključuje periodično.

Buka koja se može čuti u takvoj situaciji je normalna pojava.

Ona se smanjuje čim uređaj dosegne radnu temperaturu.


Brujanje proizvodi kompresor. To može postati malo jače kada se kompresor uključuje.

Buka u vidu ključanja i žuborenja koja dolazi od kruženja rashladnog medija u cijevima uređaja, normalna je buka tokom rada.

### Upozorenje !

Nikada ne pokušavajte sami popravljati uređaj ili njegove električne komponente. Bilo koji popravak načinjen od strane neovlaštene osobe je opasan za korisnika i može rezultirati poništavanjem garancije.



Simbol  na proizvodu ili pakovanju pokazuje da se ovaj proizvod ne može tretirati kao otpad iz domaćinstva. Potrebno ga je odložiti na definirano mjesto radi recikliranja električne i elektronske opreme. Kada se pobrinete da se proizvod odloži na pravilan način, pomoći ćete sprječavanje potencijalno negativnih posljedica po životnu sredinu i zdravlje ljudi, do kojih bi inače došlo nepravilnim odlaganjem proizvoda. Za više detaljnih informacija o recikliranju ovog proizvoda, molimo kontaktirajte lokalni gradski ured, službu za odlaganje kabastog otpada ili prodavnicu u kojoj ste kupili proizvod.

## Congratulazioni per la scelta!

**Il congelatore a bancone acquistato è uno dei prodotti della gamma BEKO e rappresenta il punto di incontro armonico tra tecniche di congelamento e aspetto esteriore.** Ha un design nuovo e attraente ed è costruito in base alle norme europee e nazionali che ne garantiscono il funzionamento e le funzioni di sicurezza. Nello stesso tempo, il refrigerante utilizzato, R600a, rispetta l'ambiente e non ha effetti negativi sull'ozono.

Per un utilizzo ottimale del freezer, si consiglia di leggere attentamente le informazioni contenute in questo manuale per l'utente.

## Consigli per il riciclaggio del vecchio elettrodomestico

Se l'elettrodomestico appena acquistato ne sostituisce uno vecchio, è necessario prendere in considerazione alcuni elementi.

I vecchi elettrodomestici non sono rottami senza valore. Lo smaltimento degli elettrodomestici da un lato rispetta l'ambiente dall'altro consente il recupero di importanti materie prime.

Rendere inutilizzabile l'elettrodomestico:

- scollegarlo dall'alimentazione;
- Rimuovere il cavo di alimentazione (tagliarlo);
- rimuovere gli eventuali lucchetti sullo sportello per evitare che i bambini vi entrino durante il gioco mettendosi in pericolo di vita.

I congelatori contengono materiali isolanti che richiedono un riciclaggio adeguato.

I pezzi di ricambio originali verranno forniti per 10 anni, successivamente alla data di acquisto del prodotto.

**Questo apparecchio elettrico non e' inteso per essere utilizzato da persona con handicap fisico, e/o mentale o con mancanza di esperienza e competenza anche se ad esse siano state date istruzioni concernenti l'uso da un supervisore o da persona con esperienza. I bambini devono essere supervisionati da un un adulto affinche' non utilizzino l'apperecchio per il gioco.**

## ***Riciclaggio dell'imballo***

### **AVVERTENZA!**

**Non permettere ai bambini di giocare con l'imballo o con parti di esso. Esiste il pericolo di soffocamento con parti del cartone ondulato e con la pellicola di plastica.**

Per arrivare a destinazione in buone condizioni, l'elettrodomestico è protetto da un imballo adatto. Tutti i materiali di imballo sono compatibili con l'ambiente e sono riciclabili. Si consiglia di riciclare l'imballo per proteggere l'ambiente!

### **IMPORTANTE!**

Prima di mettere in funzione l'elettrodomestico, leggere attentamente e in modo completo queste istruzioni, in quanto includono informazioni importanti sull'installazione, l'utilizzo e la manutenzione dell'elettrodomestico.

Il produttore è libero da ogni responsabilità se non vengono rispettate le informazioni contenute nella presente documentazione. Conservare queste istruzioni in un posto sicuro per averle a portata di mano in caso di necessità. Di conseguenza potrebbero risultare utili anche ad altri utenti.

### **ATTENZIONE!**

**È necessario utilizzare questo elettrodomestico solo per lo scopo per cui è stato progettato (utilizzo domestico), in aree adatte, lontano da pioggia, umidità o altri fenomeni atmosferici.**

## ***Istruzioni per il trasporto***

È necessario trasportare l'elettrodomestico solo in posizione verticale. Durante il trasporto l'imballo deve essere in condizioni perfette. Se l'elettrodomestico è stato trasportato in posizione orizzontale (solo in base alle segnalazioni sull'imballo), è necessario che prima della messa in funzione l'elettrodomestico venga lasciato a riposare 4 ore affinché il circuito di raffreddamento si stabilizzi.

La mancata osservanza di queste istruzioni può causare la rottura del motore compressore e l'annullamento della garanzia.

## ***Avvertenze e consigli generali***

- Non collegare l'elettrodomestico se si è notato un guasto.

- Le riparazioni devono essere effettuate esclusivamente da personale qualificato.

- Nelle seguenti situazioni scollegare l'elettrodomestico dalla rete elettrica:

- durante lo sbrinamento completo;
- durante la pulizia.

### **Per scollegare l'elettrodomestico, tirare dalla spina non dal cavo!**

- Assicurarsi che vi sia lo spazio minimo tra l'elettrodomestico e la parete contro la quale è collocato.

- Non salire sull'elettrodomestico.

- Non consentire ai bambini di giocare o nascondersi all'interno dell'elettrodomestico.

- Non utilizzare mai elettrodomestici all'interno del congelatore per sbrinare.

- Non utilizzare l'elettrodomestico vicino a caloriferi, fornelli o altre fonti di calore e fuoco.

- Non lasciare aperto lo sportello del freezer più a lungo del tempo necessario per inserire o estrarre i cibi.

- Non lasciare cibo nell'elettrodomestico se quest'ultimo non è in funzione.

- Non conservare all'interno prodotti che contengono gas infiammabili o esplosivi.

- Non conservare all'interno del freezer bibite frizzanti (succhi, acqua minerale, champagne, ecc.): la bottiglia può esplodere! Non congelare bibite in bottiglie di plastica.

- Non mangiare cubetti di ghiaccio o gelati appena usciti dal freezer poiché possono provocare "bruciature da freddo".

Non toccare mai parti in metallo fredde o cibo congelato con le mani umide, poiché le mani potrebbero congelare velocemente su superfici molto fredde.

- Per la protezione dell'apparecchio durante l'imballaggio e il trasporto, sono forniti spaziatori tra lo sportello e il corpo (sulla parte anteriore e posteriore). Questi spaziatori saranno rimossi prima di mettere in funzione l'apparecchio.

- Eccessivi depositi di ghiaccio sulla struttura devono essere rimossi regolarmente con i raschietti in plastica in dotazione. Non utilizzare oggetti metallici per rimuovere il ghiaccio. La presenza di questa formazione di ghiaccio potrebbe rendere impossibile chiudere lo sportello.
- Se non si utilizza l'elettrodomestico per alcuni giorni, non è consigliabile spegnerlo. Se non lo si utilizza per un periodo più lungo, procedere come segue:
  - scollegare l'elettrodomestico;
  - svuotare il freezer;
  - scongelarlo e pulirlo;
  - lasciare aperto lo sportello per evitare la formazione di odori sgradevoli.
- Se il cavo di alimentazione è danneggiato, deve essere sostituito dal produttore, dal suo agente per l'assistenza o da persone similmente qualificate per evitare rischi.
- Se il vostro dispositivo ha la serratura, tenetelo chiuso e tenete la chiave in luogo sicuro, fuori dalla portata dei bambini. Se state buttando un elettrodomestico con serratura, accertatevi che sia aperta. Questo è molto importante per evitare che i bambini vi restino intrappolati, cosa che può provocarne la morte.

## Installazione

Questo elettrodomestico è stato progettato per operare ad una temperatura ambiente tra -15°C e +43 °C. Se la temperatura ambiente è al di sopra di +43°C, la temperatura all'interno dell'elettrodomestico può salire. .

Installare l'elettrodomestico lontano da fonti di calore o da fiamme. Se collocato in una stanza calda o sotto la luce diretta del sole o vicino a una fonte di calore (termosifoni, fornelli, forni), il consumo di energia aumenta e la durata del prodotto sarà inferiore.

- Rispettare le seguenti distanze minime:
  - 100 cm da fornelli a carbone o a olio combustibile;
  - 150 cm da fornelli elettrici o a gas.
- Verificare che l'aria circoli liberamente intorno all'elettrodomestico osservando le distanze mostrate nell'elemento 2.

Montare sul condensatore (nella parte posteriore) i distanziatori forniti (elemento 3).

- Posizionare l'elettrodomestico in luoghi ben ventilati, perfettamente piani e asciutti. Montare gli accessori forniti.

## Collegamento elettrico

L'elettrodomestico è progettato per il funzionamento con tensione monofase di 220-240 V/50 Hz. Prima di collegare l'elettrodomestico, assicurarsi che i parametri della rete elettrica domestica (tensione, tipo di corrente, frequenza) siano conformi ai parametri di funzionamento dell'elettrodomestico.

- Le informazioni relative alla tensione di alimentazione e alla potenza di assorbimento sono riportate sull'etichetta posta nella parte posteriore del freezer.
- L'installazione elettrica deve essere conforme ai requisiti di legge.
- **È obbligatorio mettere a terra l'elettrodomestico. Il produttore non è responsabile per danni a persone, animali o cose che derivino dalla mancata osservanza delle condizioni specificate.**
- L'elettrodomestico è dotato di cavo di alimentazione e spina (tipo europeo, contrassegnata 10/16 A) con doppio contatto di messa a terra di sicurezza. Se la presa non è dello stesso tipo della spina, chiedere ad un elettricista specializzato di sostituirla.
- Non utilizzare prolunghe o adattatori multipli.

## Spegnimento

Lo spegnimento dell'elettrodomestico deve essere possibile estraendo la spina dalla presa o tramite un interruttore a due poli posto prima della presa.

## Funzionamento

Prima della messa in funzione, pulire l'interno dell'elettrodomestico (vedere il capitolo "Pulizia").

Dopo aver completato questa operazione, collegare l'elettrodomestico, regolare la manopola del termostato in posizione media. Le spie verde e rossa di segnalazione blocco devono illuminarsi. Lasciare l'elettrodomestico in funzione per almeno 2 ore senza cibo all'interno.

È possibile congelare cibi freschi dopo almeno 20 ore di funzionamento.

## Descrizione dell'elettrodomestico

(Elemento 1)

1. Maniglia della porta:
2. Porta
3. Alloggiamento della lampadina
4. Cestello
5. Prova
6. Alloggiamento della serratura
7. Scatola del termostato
8. Distanziatore per trasporto

## Funzionamento del freezer

### Regolazione della temperatura

La temperatura del freezer viene regolata tramite una manopola montata sul termostato; (elemento 4) essendo la posizione "MAX" la temperatura più bassa.

Le temperature raggiunte possono variare in base alle condizioni di utilizzo dell'elettrodomestico, ad esempio: Posizione, temperatura ambientale, frequenza di apertura dello sportello, estensione di riempimento con cibo del freezer. La posizione della manopola del termostato cambierà in base a questi fattori. In genere con una temperatura ambientale di circa 32°C, il termostato verrà regolato su una posizione media.

### Il sistema di segnalazione si trova sulla parte anteriore del freezer (elemento 5).

Include:

1. Manopola di regolazione del termostato: viene regolata la temperatura interna.
2. - spia verde: indica che l'elettrodomestico è alimentato.
3. - spia rossa - danno: si illumina se la temperatura interna del freezer è troppo elevata. La spia si illuminerà per 15-45 minuti dopo aver collegato l'elettrodomestico, quindi deve spegnersi. Se la spia si illumina durante il funzionamento, significa che si sono verificati dei guasti.
4. LED arancione - funzione di congelamento rapido attivata - impostando la manopola in posizione Superfreeze, il LED arancione si accende, mostrando che l'elettrodomestico è entrato in modalità di congelamento rapido. L'uscita da questa modalità avviene automaticamente dopo 50 ore, poi l'apparecchio funziona in modalità economica e il LED arancione si spegne.

Le tre spie informano sulla modalità di funzionamento del freezer.



## **Consigli per la conservazione del cibo**

Il freezer è progettato per la conservazione a lungo termine di cibi congelati e per congelare cibi freschi.

Uno degli elementi principali per il congelamento corretto dei cibi è la confezione.

Le condizioni principali che la confezione deve soddisfare sono le seguenti: essere a tenuta d'aria, essere inerte rispetto al cibo, resistere alle basse temperature, essere a prova di liquidi, grassi, vapore acqueo, odori e essere lavabile.

Queste condizioni sono soddisfatte dai seguenti tipi di confezioni: pellicola di plastica o alluminio, bicchieri di carta cerata o di plastica.

### **IMPORTANTE!**

- Per congelare cibi freschi utilizzare il cestello in dotazione.
- Non posizionare nel freezer una quantità di cibo troppo grande in una sola volta. La qualità del cibo viene conservata al meglio se si congela completamente il più rapidamente possibile. Per tale motivo è sconsigliato superare la capacità di congelamento dell'elettrodomestico specificata nei "Scheda del Prodotto"
- Il cibo fresco non deve venire a contatto con cibo già congelato.
- Il cibo acquistato già congelato deve essere posto nel freezer senza regolazione del termostato.
- Se la data di congelamento non è riportata sulla confezione, considerare un periodo di massimo 3 mesi in linea generale.
- Il cibo, anche parzialmente scongelato, non può essere ricongelato, deve essere consumato immediatamente o colto e ricongelato.
- Le bevande frizzanti non verranno conservate nel freezer.
- In caso di guasti all'alimentazione, non aprire lo sportello dell'elettrodomestico. Il cibo congelato non subirà effetti negativi se il guasto dura meno di 36 ore.

## **Congelamento con Superfrost**

- Posizionare la manopola in posizione Superfrost. La spia Superfrost si accende.
- Attendere 24 ore.
- Mettere gli alimenti freschi nel freezer. Per ottenere il congelamento rapido, gli alimenti devono essere in contatto con le pareti interne quando sono posti nel freezer.
- La funzione Superfrost disattiva automaticamente la procedura di congelamento rapido dopo 50 ore.

### **Importante**

**Quando si porta la manopola in posizione Superfrost, il compressore potrebbe non avviarsi per alcuni minuti. Ciò è dovuto all'interruttore di avvio ritardato integrato, concepito per prolungare la vita dell'apparecchio.**

Non bisogna attivare la posizione Superfrost:

- quando si mettono alimenti congelati nel freezer;
- quando si congelano fino a 2 kg di alimenti freschi al giorno.

## **Sostituzione della lampadina interna**

Se la lampadina si brucia, scollegare l'elettrodomestico dall'alimentazione principale. Tirare fuori la lampadina. Accertarsi che sia correttamente svitata. Collegare nuovamente l'elettrodomestico. Se la lampadina ancora non si accende sostituirla con un'altra modello E14-15W e montarla al suo posto.

La lampada (le lampade) usata (usate) nell'apparecchiatura non è (sono) adatta (adatte) per l'illuminazione domestica. L'obiettivo previsto per questa lampada è quello di assistere l'utente in fase di posizionamento degli alimenti all'interno del frigorifero / congelatore in modo sicuro e comodo.

Le lampadine utilizzate in questo apparecchio devono sopportare condizioni fisiche estreme come temperature inferiori a -20°C.

## **Sbrinamento dell'elettrodomestico**

- Si consiglia di sbrinare il freezer almeno due volte all'anno o quando lo spessore del ghiaccio diventa troppo elevato.
- La formazione di ghiaccio è un fenomeno normale.
- La quantità e la rapidità della formazione di ghiaccio dipende dalle condizioni ambientali e dalla frequenza di apertura dello sportello.
- Si consiglia di sbrinare l'elettrodomestico quando la quantità di cibo congelato è minima.

• Prima dello sbrinamento, regolare la manopola del termostato su una posizione superiore in modo che il cibo si conservi più freddo.

- Scollegare l'elettrodomestico;
- Estrarre il cibo congelato, avvolgerlo in vari fogli di carta e porli in luogo freddo o nel frigorifero.

Prendere il pannello separatore e messo sotto il freezer in direzione del tubo gocciolamento. Tirare fuori la spina. L'acqua che i risultati saranno raccolti nel vassoio speciale (pannello separatore). Dopo lo sbrinamento del ghiaccio, rimuovere l'acqua con un panno o una spugna, poi asciugare bene. Collegare l'elettrodomestico e accenderlo. (Elemento 6)

Lasciare aperti gli sportelli per evitare la formazione di odori sgradevoli;

**Non utilizzare oggetti metallici acuminati per rimuovere il ghiaccio.**

**Non utilizzare asciugacapelli o altri apparecchiature di riscaldamento per sbrinare.**

## **Pulizia interna**

Prima di cominciare la pulizia, scollegare l'elettrodomestico dalla rete elettrica.

- Si consiglia di pulire l'elettrodomestico quando si esegue lo sbrinamento.
- Lavare l'interno con acqua tiepida con aggiunta di detersivi naturali. Non utilizzare sapone, detersivo, gasolio o acetone che possono lasciare odori forti.

- Pulire con una spugna bagnata e asciugare con un panno morbido.

Nel corso di questa operazione, evitare acqua in eccesso per prevenire che penetri nell'isolamento termico del dispositivo, il che potrebbe causare odori sgradevoli.

Non dimenticare di pulire anche la guarnizione dello sportello, soprattutto le stecche a soffietto, con un panno pulito.

## **Pulizia esterna**

- Pulire l'esterno del freezer utilizzando una spugna immersa in acqua calda, strofinare con un panno morbido e asciutto.

- la pulizia dell'esterno del circuito di raffreddamento (motocompressore, condensatore, tubi di collegamento) verrà effettuata con una spazzola morbida o con l'aspirapolvere. Nel corso di questa operazione, fare attenzione a non distorcere i tubi e a non staccare i cavi.

**Non utilizzare materiali per strofinamento o abrasivi!**

- Dopo aver terminato la pulizia, riporre gli accessori in posizione e collegare l'elettrodomestico.

## **Guida per l'individuazione di difetti**

### **L'elettrodomestico non funziona.**

- Vi è una mancanza di alimentazione.
- La spina del cavo di alimentazione non è ben inserita nella presa.
- Il fusibile è bruciato.
- Il termostato è in **posizione "OFF"**.

### **La temperatura non è abbastanza bassa (è acceso il LED su).**

- Il cibo impedisce la chiusura dello sportello.
- L'elettrodomestico non è stato posizionato correttamente.
- L'elettrodomestico è posizionato troppo vicino a una fonte di calore.
- La manopola del termostato non è nella posizione corretta.

### **Formazione eccessiva di ghiaccio**

- Lo sportello non è stato chiuso correttamente.

### **L'elettrodomestico non funziona**

- La lampadina è bruciata. Scollegare l'elettrodomestico dalla rete di alimentazione, togliere la lampadina e sostituirla con una nuova.

### **Le seguenti condizioni non sono difetti**

- Possibili oscillamenti e rumori provenienti dal prodotto: circolazione del refrigerante nel sistema.

## **Rumori durante il funzionamento**

Per mantenere la temperatura al valore regolato, i compressori dell'elettrodomestico si avviano periodicamente.

I rumori avvertiti in questa situazione sono normali.

Si riducono appena l'elettrodomestico raggiunge la temperatura di funzionamento.


Il gorgoglio viene emesso dal compressore. Può diventare un po' più forte quando il compressore si avvia.

I rumori di ribollito e gorgoglio, provocati dal refrigerante che circola nei tubi dell'elettrodomestico, sono normali durante il funzionamento.

### **Avvertenza!**

Non provare mai a riparare l'elettrodomestico o i suoi componenti da soli. Tutte le riparazioni eseguite da persone non autorizzate sono pericolose per l'utente e possono causare l'annullamento della garanzia.



Il simbolo  sul prodotto o sulla confezione indica che questo prodotto non può essere trattato come normale rifiuto domestico. Invece deve essere portato al punto di raccolta adatto per il riciclaggio delle apparecchiature elettriche ed elettroniche. Assicurando il corretto smaltimento di questo prodotto, si evitano potenziali conseguenze negative per l'ambiente e la salute, che potrebbero derivare da una gestione inappropriata del prodotto. Per informazioni più dettagliate sul riciclaggio di questo prodotto, contattare l'ufficio cittadino locale, il servizio di smaltimento dei rifiuti domestici o il negozio dove è stato acquistato il prodotto.

## Proficiat met uw keuze!

De diepvrieskist die u aangekocht hebt is er één uit het productgamma van **BEKO** en vertegenwoordigt een harmonieuze combinatie van koeltechniek met esthetisch uitzicht. Het toestel heeft een nieuw en aantrekkelijk ontwerp en is vervaardigd volgens de Europese en nationale normen die zijn werking en veiligheidsfuncties garanderen. Het gebruikte koelmiddel, R600a, is milieuvriendelijk en beïnvloedt de ozonlaag niet.

Om uw diepvriezer zo goed mogelijk te gebruiken, adviseren we u om de informatie in deze gebruikershandleiding zorgvuldig te lezen.

## Advies voor het recycleren van uw oud apparaat

Indien uw nieuw aangekocht apparaat een ouder apparaat vervangt, moet u enkele aspecten in overweging nemen.

De oude apparaten zijn geen waardeloze afval. Hun verwijdering, maakt naast het behoud van het milieu ook het terugwinnen van belangrijke grondstoffen mogelijk.

Maak uw oude apparaten onbruikbaar:

- Koppel het toestel los van het stroomnetwerk.
- Verwijder het netsnoer (knip het af).
- Verwijder de eventuele grendels op de deur om het opsluiten van kinderen in het toestel tijdens het spel en het in gevaar brengen van hun leven te vermijden.

De koeltoestellen bevatten isolatiematerialen en koelmiddelen die een juiste recyclage vereisen.

**Dit toestel is niet geschikt voor gebruik door personen met fysieke of mentale problemen of met een gebrek aan ervaring of kennis tenzij er toezicht of uitleg over het product gegeven wordt door de persoon die de verantwoordelijkheid over hun veiligheid draagt.  
Kinderen moeten onder toezicht staan zodat ze niet met het toestel kunnen spelen.**

## **Recycleren van de verpakking**

### **WAARSCHUWING!**

**Laat kinderen niet met de verpakking of delen ervan spelen. Er bestaat een risico op verstikking met delen van golfkarton en met plastic folie.**

Om het toestel in een goede toestand tot bij u te krijgen, werd het beschermd door een geschikte verpakking. Alle materialen van de verpakking zijn compatibel met het milieu en recycleerbaar. Help ons de verpakking te recycleren om het milieu te beschermen.

### **BELANGRIJK!**

Voor u het apparaat in werking stelt, moet u deze instructies zorgvuldig en volledig lezen. Ze bevatten belangrijke informatie betreffende de installatie, het gebruik en het onderhoud van het apparaat.

De fabrikant is niet verantwoordelijk indien de informatie in dit document niet in acht wordt genomen. Bewaar de instructies op een veilige plaats om ze indien nodig gemakkelijk te kunnen lezen. Ze kunnen vervolgens ook nuttig zijn voor een andere gebruiker.

### **OPGELET!**

**Dit apparaat moet enkel worden gebruikt voor het doel waarvoor het bestemd is (huishoudelijk gebruik), in geschikte gebieden, ver weg van regen, vochtigheid of andere weersomstandigheden.**

## **Transportinstructies**

Dit apparaat moet zoveel mogelijk uitsluitend in de verticale positie worden getransporteerd. De verpakking moet tijdens het transport in perfecte conditie zijn.

Indien het apparaat in de horizontale positie werd vervoerd (enkel volgens de markeringen op de verpakking), wordt geadviseerd dat voor het apparaat in werking wordt gesteld, men het best gedurende 4 uur laat staan om het koelcircuit te laten rusten.

Het niet inachtnemen van deze instructies kan een defect van de motorcompressor veroorzaken en de garantie annuleren.

## **Waarschuwingen en algemeen advies**

- Steek de stekker van het apparaat niet in het stopcontact indien u een defect opmerkt.
  - Reparaties mogen enkel worden uitgevoerd door bevoegd personeel.
  - Verwijder de stekker uit het stopcontact in de volgende situaties:
    - wanneer u het apparaat volledig ontvriest;
    - wanneer u het apparaat reinigt.
- Om de stekker uit het stopcontact te verwijderen, trek aan de stekker en niet aan de kabel.**
- Zorg dat er een minimum ruimte is tussen het apparaat en de muur waartegen het apparaat wordt geplaatst.
  - Klim niet op het apparaat.
  - Laat kinderen niet met het apparaat spelen of erin klimmen.
  - Gebruik nooit elektrische toestellen binnenin de diepvriezer om te ontdooien.
  - Gebruik het apparaat niet nabij verwarmingstoestellen, fornuizen of andere bronnen van warmte en vuur.
  - Laat de diepvriezer niet langer open staan dan nodig om voedsel erin te plaatsen of eruit te halen.
  - Laat geen voedsel in het apparaat indien het niet werkt.
  - Plaats geen producten in het apparaat die ontvlambare of explosieve gassen bevatten.
  - Plaats geen bruisende dranken (sap, mineraal water, champagne, enz.) in de diepvriezer: de fles kan ontploffen! Vries geen dranken in plastic flessen in.
  - Eet geen ijsblokjes of roomijs onmiddellijk nadat u deze uit de diepvriezer hebt genomen omdat ze "vriesbrandwonden" kunnen veroorzaken.
  - Raak nooit koude metalen delen of bevroren voedsel aan met natte handen omdat uw handen snel kunnen bevriezen op zeer koude oppervlakken.
  - Ter bescherming van het toestel in de opslagplaats en tijdens het transport worden tussenstukken geleverd tussen de deur en kast (aan de voorkant- en achterkant). Deze tussenstukken worden verwijderd voor het toestel in gebruik wordt genomen.

- Overdreven ijsaanslag op het frame en de manden moet regelmatig worden verwijderd met de plastic schraper, die bij het toestel werd geleverd. Gebruik geen metalen objecten om het ijs te verwijderen. De aanwezigheid van ijsaanslag maakt het onmogelijk om de deur correct te sluiten.
- Indien u het apparaat niet gebruikt gedurende enkele dagen, is het beter om het uit te schakelen. Indien u het niet gebruikt gedurende een langere periode, ga als volgt te werk:
  - Trek de stekker uit het stopcontact.
  - Maak de diepvriezer leeg.
  - Ontdooi en reinig de diepvriezer.
  - Laat de deur open staan om het vormen van onaangename geuren te vermijden.
- Indien het netsnoer beschadigd is, moet dit door de producent, de dealer of een ander gekwalificeerd persoon worden gerepareerd om gevaar te voorkomen.
- Indien uw apparaat een vergrendeling heeft, houd deze vergrendeld en bewaar de sleutel op een veilige plaats, buiten het bereik van kinderen. Indien u een apparaat met een slot vervangt, zorg ervoor dat het slot niet meer werkt. Dit is zeer belangrijk om te vermijden dat kinderen er niet in opgesloten kunnen geraken, wat hun leven in gevaar kan brengen.

## Installatie

Het apparaat werd ontworpen om te werken bij een omgevingstemperatuur tussen  $-15^{\circ}\text{C}$  en  $+43^{\circ}\text{C}$  (SN-T Klasse). Indien de omgevingstemperatuur hoger is dan  $+43^{\circ}\text{C}$ , kan de temperatuur binnenin het apparaat oplopen.

Installeer het apparaat ver verwijderd van een bron van warmte en vuur. Als u het in een warme kamer plaatst, of direct blootstelt aan zonnestralen of nabij een warmtebron (verwarmingstoestellen, fornuizen, ovens), verhoogt het stroomverbruik en verkort de levensduur.

- Neem de volgende minimum afstanden in acht:
  - 100 cm van fornuizen die met olie of kolen werken
  - 150 cm van elektrische en gasfornuizen
- Zorg voor de vrije luchtcirculatie rond het toestel door de afstanden in punt 2 in acht te nemen.

Plaats de meegeleverde tussenstukken op de condensator (aan de achterkant). (Afbeelding 3)

- Plaats het toestel in een perfect egale, droge en goed geventileerde ruimte. Installeer de meegeleverde accessoires.

## Elektrische aansluiting

Uw apparaat is bedoeld om te werken bij een enkelfasige spanning van 220-240V/50Hz. Voor u de stekker van het apparaat in het stopcontact steekt, zorg ervoor dat de parameters van de netvoeding in uw huis (spanning, stroomtype, frequentie) voldoen aan de werkingsparameters van het apparaat.

- De informatie betreffende de netspanning en de geabsorbeerde stroom staat op het typeplaatje aan de achterkant van de diepvriezer.
- De elektrische installatie moet voldoen aan de wettelijke vereisten.
- **De aarding van het apparaat is verplicht. De fabrikant is niet verantwoordelijk voor schade aan personen, dieren of goederen die voortkomt uit de niet inachtneming van de gespecificeerde voorwaarden.**
- Het apparaat is uitgerust met een snoer en een stekker (Europees type, gemarkeerd 10/16A) met een dubbel aardingscontact voor veiligheid. Indien het stopcontact niet hetzelfde type is als de stekker, vraag een gespecialiseerde elektricien om het aan te passen.
- Gebruik geen verlengstukken of meervoudige adapter.

## **Uitschakelen**

Het uitschakelen moet mogelijk zijn door de stekker te verwijderen uit het stopcontact of via een twee polen schakelaar geplaatst voor het stopcontact.

## **Bediening**

Voor de indienstneming moet de binnenkant van het apparaat worden gereinigd (zie hoofdstuk "Reinigen").

Plaats na het reinigen de stekker in het stopcontact, stel de thermostaatknop in op een gemiddelde positie. De groene en rode lampjes in het signaleringsblok moeten branden. Laat het apparaat gedurende 2 uur werken zonder er voedsel in te plaatsen.

Na een werking van ongeveer 20 uur is het invriezen van voedsel mogelijk.

## **Beschrijving van het apparaat**

(Afb. 1)

1. Deurhandgreep
2. Deur
3. Lampbehuizing
4. Manden
5. Plaat
6. Slotbehuizing
7. Thermostaatdoos
8. Tussenstuk voor transport

## **Werking van de diepvriezer**

### **Temperatuurinstelling**

De temperatuur van de diepvriezer wordt ingesteld met behulp van een knop op de thermostaat (afb. 4), waarbij positie "Max" de laagste temperatuur geeft.

De temperatuur die binnenin verkregen wordt, kan variëren afhankelijk van de gebruiksomstandigheden van het toestel: de plaats van het toestel, de omgevingstemperatuur; de frequentie van het openen van de deur, de mate van vullen met voedsel van de diepvriezer. De positie van de thermostaatknop zal veranderen afhankelijk van deze factoren. Voor een omgevingstemperatuur van 32°C zal de temperatuur normaal worden ingesteld op de gemiddelde positie.

**Het meldingssysteem** bevindt zich aan de voorkant van de diepvriezer (afb. 5).

Het omvat:

1. Thermostaatinstellingsknop – de binnentemperatuur wordt aangepast.
2. Groen lampje – geeft aan dat het toestel elektrische stroom krijgt.
3. Rood lampje – schade – brandt wanneer de temperatuur in de diepvriezer te hoog is. Het lampje brandt gedurende 15-45 minuten na het inwerkingstellen van de diepvriezer, daarna moet het uitgaan. Indien het lampje begint te branden tijdens de werking, betekent dit dat er defecten zijn opgetreden.
4. Oranje led - snelvriesfunctie geactiveerd - door de knop op de Superfreeze-stand te zetten gaat het oranje led aan, wat aangeeft dat het apparaat in de snelvriesmodus staat. Na 50 uur wordt deze modus automatisch beëindigd, schakelt het apparaat naar de zuinige modus en gaat het oranje led uit.

De drie lampjes geven informatie over de werkingsmodus van de diepvriezer.

## **Advies voor het bewaren van voedsel**

De diepvriezer is bedoeld om bevroren voedsel voor een lange tijd te bewaren, evenals om vers voedsel in te vriezen. Een van de belangrijkste elementen voor het succesvolle invriezen van voedsel is de verpakking ervan.

De hoofdvoorwaarden waaraan de verpakking moet voldoen zijn de volgende: luchtdicht zijn, inert zijn tegenover het verpakte voedsel, bestand zijn tegen lage temperaturen, bestand zijn tegen vloeistoffen, vet, waterdampen, geuren en wasbaar zijn. Deze voorwaarden zijn vervuld door de volgende soorten verpakkingen: plastic of aluminium folie, plastic en aluminium potten, glazen in waskarton of plastic.

### **BELANGRIJK!**

- Gebruik de bijgeleverde manden van het apparaat om vers voedsel in te vriezen. Plaats niet teveel voedsel tegelijkertijd in de diepvriezer. De kwaliteit van het voedsel wordt het best bewaard wanneer het zo snel mogelijk wordt ingevroren. Daarom is het aan te raden de vriescapaciteit van het toestel die vermeld staat in het "Productkaart" - niet te overschrijden.
- Het vers voedsel mag niet in contact komen met voedsel dat al ingevroren is.
- Het ingevroren voedsel dat u gekocht hebt, kan in de diepvriezer worden geplaatst zonder de thermostaat aan te passen.
- Indien de vriesdatum niet vermeld staat op de verpakking, neem een periode van max. 3 maanden als algemene richtlijn.
- Het voedsel, zelfs gedeeltelijk ontdooien, kan niet opnieuw worden ingevroren, het moet onmiddellijk verbruikt worden of gekookt en vervolgens opnieuw ingevroren worden.
- Bruisende dranken mogen niet in de diepvriezer geplaatst worden.
- In het geval van een stroomonderbreking, open de deur van het apparaat niet. Ingevroren voedsel wordt niet aangetast indien de panne minder dan 36 uur duurt.

## **Invriezen met Superfrost**

- Zet de knop op de superfrost-stand. Het lampje van superfrost gaat aan.
- Wacht 24 uur.
- Plaats het verse voedsel in de diepvriezer. Om snel invriezen te bereiken moet het voedsel in contact zijn met de binnenwand als het in de vriezer wordt geplaatst.
- De superfrost-functie schakelt de snelvriesprocedure na 50 uur automatisch uit.

### **Belangrijk**

**Als u de knop op de superfrost-stand zet, is het mogelijk dat de compressor gedurende een aantal minuten niet aanslaat. Dit komt door de geïntegreerde inschakeltijdschakelaar, die is ontworpen om de levensduur van de koeleenheid te verlengen.**

- U moet de superfrost-functie niet activeren:
- als u bevroren voedsel in de diepvriezer plaatst;
  - als u dagelijks tot ongeveer 2 kg vers voedsel invriest.

## **Het binnenlichtje vervangen**

Indien het lampje niet meer brandt, verwijder de stekker uit het stopcontact. Verwijder de lampstrip. Controleer of de lamp goed vastgedraaid is. Plaats de stekker terug in het stopcontact. Indien de lamp nog niet brandt, vervang met een ander model E14 – 15W. Plaats de lampstrip terug op zijn plaats.

De lamp of lampen voorzien in dit apparaat mogen niet worden gebruikt voor de verlichting van huishoudelijke ruimten. Het beoogde gebruik van deze lamp is de gebruiker te helpen etenswaren op veilige en comfortabele wijze in de koelkast/diepvriezer te plaatsen. De lampen die in dit apparaat worden gebruikt moeten bestendig zijn tegen extreme fysieke omstandigheden, zoals temperaturen beneden de -20°C.

## **Ontdooien van het apparaat**

- We bevelen aan om het diepvriezergedeelte minstens tweemaal per jaar te ontdooien of wanneer de ijslaag te dik is.
- Ijsaanslag is een normaal fenomeen.



- De hoeveelheid en snelheid van de ijsaanslag hangt af van de omgevingsvoorwaarden en van hoe vaak de deur geopend wordt.
- We bevelen aan het toestel te ontdooien wanneer de hoeveelheid ingevroren voedsel het kleinst is.
- Voor het ontdooien, draai de thermostaatknop op de hoogste stand zodat de etenswaren kouder worden.
  - Trek de stekker uit het stopcontact.
  - Verwijder de diepgevroren etenswaren, verpak ze in verschillende lagen papier en plaats ze op een koude plaats. Verwijder het scheidingspaneel en plaats het onderaan in de diepvriezer in de richting van de druppelbuis. Verwijder de sluitdop. Het water wordt opgevangen in een speciale vorm (scheidingspaneel). Nadat het ijs gesmolten is en het water weggelopen is, wrijf erover met een doek of spons en droog goed af. Plaats de sluitstop terug op zijn plaats. (Afb. 6) Laat de deur open om snel te ontdooien.

**Gebruik geen scherpe metalen objecten om het ijs te verwijderen.**

**Gebruik geen haardrogers of andere elektrische verwarmingstoestellen voor het ontdooien.**

## ***Reinigen van binnenkant***

Verwijder de stekker uit het stopcontact voor het reinigen.

- Het is aan te raden om het apparaat te reinigen wanneer u het ontdooit.
- Was de binnenkant met lauw water waaraan een neutraal reinigingsmiddel werd toegevoegd. Gebruik geen zeep, wasmiddel, benzine of aceton die een sterke geur kunnen nalaten.
- Wrijf af met een natte spons en droog met een zachte doek. Vermijd tijdens het reinigen het gebruik van teveel water zodat het niet kan binnendringen in de thermische isolatie van het toestel wat onaangename geuren zou produceren. Vergeet ook niet om de dichting van de deur te reinigen, vooral de balgribben, met een zuivere doek.

## ***Reinigen van buitenkant***

- Reinig de buitenkant van de diepvriezer met een spons die nat gemaakt werd in zeepwater en wrijf af met een zachte doek en droog af.
- Gebruik voor het reinigen van de buitenkant van het koelcircuit (motorcompressor, condensator, aansluitingsbuizen) een zachte borstel of een stofzuiger. Zorg ervoor dat de buizen niet vervormd worden of de kabels loskomen.

**Gebruik geen schuurmaterialen!**

- Plaats na het reinigen alle accessoires terug op hun plaats en steek de stekker in het stopcontact.

## ***Probleemoplossing***

**Het toestel werkt niet**

- Er is een stroomstoring.
- De stekker steekt niet goed in het stopcontact.
- De zekering is gesprongen.
- De thermostaat staat in de "uit" positie.

**De temperatuur is niet laag genoeg (rood lampje brandt).**

- Het voedsel verhindert dat de deur goed gesloten wordt.
- Het toestel werd niet goed gesloten.
- Het toestel staat te dicht bij een warmtebron.
- De thermostaatknop staat niet in de juiste positie.

**Teveel ijsaanslag**

- De deur was niet goed gesloten.

**Het lampje binnenin brandt niet**

- De lamp is gesprongen. Verwijder de stekker uit het stopcontact, verwijder de lamp en vervang door een andere.

**De volgende zaken zijn geen defecten**

- Mogelijke krakende geluiden die van het product komen: de circulatie van het koelmiddel in het systeem.

### Geluiden tijdens de werking

Ten einde de temperatuur op de aangepaste waarde te houden, start de compressor van het toestel af en toe op.

De geluiden die u in deze situatie hoort, zijn normaal.

Ze worden minder luidruchtig als het toestel de werkingstemperatuur bereikt heeft.

Het zoemende geluid wordt voortgebracht door de compressor. Het kan iets luider worden wanneer de compressor start.

De bubbelende en gorgelende geluiden die worden voortgebracht door de koelvloeistof wanneer ze door de pijpen stroomt, zijn normale werkingsgeluiden.

### **Waarschuwing!**

Probeer het toestel of zijn elektrische componenten nooit zelf te repareren. Elke reparatie die wordt uitgevoerd door een onbevoegd persoon, kan gevaarlijk zijn voor de gebruiker en kan de garantie annuleren.



Het symbool  op het product of op de verpakking geeft aan dat het product niet als huishoudelijke afval kan worden behandeld. In plaats daarvan moet het worden afgegeven in het toepasselijke recyclagecentrum voor het recycleren van elektrische en elektronische apparaten. Door ervoor te zorgen dat dit product op de juiste manier wordt verwijderd, helpt u potentiële negatieve gevolgen te vermijden voor het milieu en de menselijke gezondheid, die anders veroorzaakt zouden kunnen worden door de verkeerde afvalbehandeling van dit product. Voor meer gedetailleerde informatie over het recycleren van dit product, neem contact op met de plaatselijke instanties, uw huishoudafvalverwerkingsdienst of de winkel waar u het product hebt aangekocht.

## Félicitations pour votre choix!

Le congélateur que vous avez acheté est un des produits de la marque **BEKO**. Construit conformément aux standards européens et internationaux, cet appareil a été conçu dans le respect de l'environnement et la recherche de performances pour vous apporter la plus grande satisfaction.

Pour une meilleure utilisation de votre congélateur, nous vous conseillons de lire attentivement cette notice.

## Recyclage de votre ancien appareil

Si l'appareil que vous venez d'acheter remplace un ancien appareil, vous devez tenir compte de ce qui suit pour vous en débarrasser.

Les anciens appareils ne sont pas des déchets sans valeur. Leur recyclage permet la récupération des matières premières importantes tout en préservant l'environnement.

Rendez inutilisable votre ancien appareil:

- débranchez l'appareil du réseau électrique;
- enlevez le câble d'alimentation (coupez-le);
- enlevez les éventuels blocages de la porte pour éviter que des enfants puissent restés enfermés dans le congélateur et mettre en danger leurs vies.

Les appareils frigorifiques contiennent des matériaux d'isolation et des agents frigorifiques qui ont besoin d'un recyclage adapté. Les pièces détachées d'origine sont disponibles pendant 10 ans, à compter de la date d'achat du produit.

**Cet appareil ne sera pas utilisé par des personnes ayant capacités physiques, sensorielles ou mentales réduites, ou sans expérience concernant l'utilisation de l'appareil, si une personne responsable de leur sécurité ne les a pas instruites pour ce but.**

**Les enfants doivent être surveillés pour avoir la certitude qu'ils ne jouent pas avec l'appareil.**

## Recyclage de l'emballage

### ATTENTION!

**Ne laissez pas les enfants jouer avec l'emballage. Des pièces de carton ondulé ou film en plastique peuvent provoquer la suffocation.**

Pour vous parvenir dans de bonnes conditions, l'appareil a été protégé avec un emballage approprié. Tous les matériaux de l'emballage sont compatibles avec l'environnement et recyclables. Respectez la collecte de déchets recyclables, en vous renseignant auprès des autorités locales.

## Instructions de transport

L'appareil doit être transporté, si possible, en position verticale. L'emballage doit être en condition parfaite pendant le transport. Si pendant le transport l'appareil a été placé en position horizontale (conformément aux marquages sur l'emballage), nous vous recommandons de laisser reposer l'appareil durant 4 heures avant la mise en fonctionnement, pour permettre la stabilisation du circuit frigorifique. Si ces instructions ne sont pas respectées, cela peut provoquer le dérèglement du compresseur et l'annulation de la garantie.

## Avertissements et conseils

### IMPORTANT!

Avant la mise en fonctionnement de l'appareil, lisez attentivement et entièrement ces instructions. Elles contiennent des informations importantes concernant l'installation, l'utilisation et l'entretien de l'appareil. Le fabricant se dégage de toute responsabilité si les informations contenues dans ce document ne sont pas respectées. Gardez cette notice dans une place sûre pour le consulter en cas de besoin. Si l'appareil est cédé à une tierce personne, cette notice doit accompagner l'appareil.

### ATTENTION!

**Cet appareil doit être utilisé seulement dans le but pour lequel il a été conçu (utilisation domestique), dans des lieux adéquats, loin de la pluie et de l'humidité.**

- Ne branchez pas l'appareil si vous avez constaté un défaut.
- Les réparations doivent être effectuées exclusivement par une personne qualifiée.
- Dans les situations suivantes nous vous prions de débrancher l'appareil:
  - quand vous dégivrez complètement l'appareil;
  - quand vous nettoyez l'appareil.

### Pour débrancher l'appareil, tirez sur la fiche, non pas le câble!

- Assurez l'espace minimum entre l'appareil et le mur.
- Ne montez pas sur l'appareil.
- Ne permettez pas aux enfants de jouer ou se cacher dans l'appareil.
- N'utilisez en aucun cas d'appareils électriques dans le congélateur pour le dégivrage.
- N'installez pas le congélateur près des appareils de chauffage, cuisinières ou autres sources de chaleur.
- Ne laissez pas la porte du congélateur ouverte plus qu'il est nécessaire pour y introduire ou enlever des denrées.
- Ne laissez pas les denrées dans l'appareil s'il ne fonctionne pas.
- Ne mettez pas dans le congélateur de produits inflammables ou explosives.
- Ne mettez pas de boissons acidulées (jus, eau minérale, champagne, etc.) dans le congélateur; la bouteille peut exploser! Ne congelez pas de boissons dans des bouteilles en plastique.
- Ne mangez pas des cubes de glace ou de la glace immédiatement après les avoir sortis du congélateur.
- Ne touchez jamais les parties métalliques froides ou les denrées congelées avec les mains humides.
- Pour la protection de l'appareil pendant le stockage et le transport, il est prévu avec des pièces d'écartement entre la porte et le cabinet (dans la partie avant et arrière). Ces pièces d'écartement seront enlevées avant de mettre l'appareil en fonction.

- L'accumulation excessive de glace sur le cadre et sur les paniers doit être enlevée régulièrement à l'aide de la palette en plastique livrée avec l'appareil. Cette accumulation de glace a pour conséquence l'impossibilité de fermer correctement la porte.
- Si vous n'utilisez pas votre appareil sur une longue période, nous vous conseillons de procéder comme suit:
  - débranchez l'appareil;
  - videz l'appareil;
  - dégivrez-le et nettoyez-le;
  - laissez la porte ouverte pour éviter la formation d'odeurs désagréables.
- Si le cordon d'alimentation est endommagé, celui-ci doit être remplacé par le fabricant, ses agents agréés ou tout autre agent qualifié afin d'être à l'abri de tout danger.
- Gardez votre appareil fermé à clé et rangez la clé dans un lieu sûr, loin de la portée des enfants. Si vous recyclez un appareil avec une serrure, assurez-vous que le système de blocage soit inutilisable. Cela est très important pour éviter que des enfants puissent rester enfermés dedans.

## Installation

Cet appareil a été conçu pour fonctionner à une température ambiante comprise entre  $-15^{\circ}\text{C}$  et  $+43^{\circ}\text{C}$ . Si la température ambiante est supérieure à  $+43^{\circ}\text{C}$ , la température peut augmenter à l'intérieur l'appareil. Installez l'appareil loin de toute source de chaleur et de feu. L'installation dans une chambre chaude ou près d'une source de chaleur (réchauds, cuisinières, fours, etc.), ou encore l'exposition directe aux rayons du soleil vont augmenter la consommation d'énergie et raccourcir la durée de vie du congélateur.

- Nous vous prions de respecter les distances minimales suivantes (figure2):
    - 100 cm des cuisinières à charbons ou à l'huile;
    - 150 cm des cuisinières électriques ou à gaz.
- Mettez sur le condenseur (dans la partie arrière) les limiteurs livrés avec l'appareil. (figure 3).
- Installez l'appareil sur un sol parfaitement plan et horizontal dans un lieu sec et bien aéré. Montez les accessoires livrés.

## Raccordement au réseau électrique

Votre appareil est conçu pour fonctionner à une tension monophasique de 220-240V/50 Hz. Avant de brancher l'appareil, vérifiez que les paramètres du réseau de votre maison (tension, type de courant, fréquence) correspondent aux paramètres de fonctionnement de l'appareil.

- Les informations concernant la tension d'alimentation et la puissance se trouvent sur la plaque signalétique située dans la partie arrière du congélateur.
- L'installation électrique doit être conforme à la réglementation.
- **La mise à la terre de l'appareil est obligatoire. Le fabricant ne peut être tenu pour responsable de tout incident sur les personnes, animaux ou biens, si ces conditions ne sont pas respectées.**
- L'appareil est muni d'un cordon d'alimentation et d'une fiche (type européen, marque 10/16A) avec un contact double de mise à la terre pour sécurité. Si la prise de courant n'est pas du même type que la fiche, nous vous recommandons de la faire remplacer par un électricien.
- N'utilisez pas de rallonge ou multiprise.
- La mise hors tension de l'appareil doit être possible en débranchant la fiche de la prise de courant ou par un interrupteur de réseau à deux pôles placé avant la prise.

## **Mise en fonctionnement**

Avant la mise en fonctionnement, nettoyez l'intérieur de l'appareil (voir le chapitre "Nettoyage").

Branchez l'appareil, et réglez le bouton du thermostat à une position moyenne. Les voyants verts et rouges du bloc de signalisation doivent s'allumer. Laissez l'appareil fonctionner pendant environ 2 heures sans y mettre de denrées.

La congélation des denrées fraîches est possible après un minimum de 20 heures de fonctionnement.

## **Description de l'appareil**

(fig. 1)

- 1 - Poigné de porte
- 2 - Porte
- 3 - Lampe
- 4 - Paniers
- 5 - Panneau de séparation
- 6 - Serrure
- 7 - Signalisations
- 8 - Écarteur pour le transport

## **Fonctionnement du congélateur**

### **Réglage de la température**

Le réglage de la température du congélateur se fait au moyen du bouton du thermostat (fig. 4), "MAX" étant la position pour une température la plus basse possible.

La température peut varier en fonction des conditions d'utilisation de l'appareil, comme la place de l'appareil, la température ambiante, la fréquence d'ouverture de la porte ou le niveau de remplissage. Positionnez le bouton du thermostat en tenant compte de ces facteurs, afin que la température interne reste inférieure ou égale à -18°C.

**Le dispositif de signalisation** se trouve à l'avant du congélateur (fig. 5).

1. Bouton de réglage du thermostat
2. Voyant vert – indique que l'appareil est sous tension.
3. Voyant rouge – s'allume si la température dans le congélateur est trop élevée. A la mise en fonctionnement, le voyant s'allume 15 à 45 minutes après. Il s'éteint lorsque l'appareil atteint une température de fonctionnement normale.
4. Le témoin orange -fonction congélation rapide- s'illumine lorsque vous réglez la molette sur la position SuperCongélation, ce qui indique que l'appareil se met en mode "congélation rapide". L'appareil sortira automatiquement de ce mode après 50 heures de fonctionnement. Il passera ensuite en mode économique, et le témoin orange s'éteindra.

## Conseils pour la conservation des denrées

Le congélateur sert à conserver les denrées congelées pour une longue période de temps, ainsi que pour congeler les denrées fraîches. Un des éléments principaux pour une bonne congélation des denrées est l'emballage. L'emballage doit être imperméable à l'air, aux liquides, graisses, vapeur d'eau et odeurs. Elle doit également être inerte pour les denrées emballées et résistante à des températures basses.

### **IMPORTANT!**

- Pour placer les denrées fraîches, utilisez les paniers livrés avec l'appareil.
- Ne mettez pas dans le congélateur une quantité trop importante de denrées à la fois. La conservation des denrées est meilleure si elles sont congelées en profondeur et rapidement. Nous vous recommandons de ne pas dépasser la capacité de congélation de l'appareil, indiquée dans les "Fiche du Produit".
- Les denrées fraîches ne doivent pas entrer en contact avec les denrées déjà congelées.
- Les denrées congelées achetées en magasin peuvent être mises dans le congélateur sans toucher au réglage du thermostat.
- Si la date de congélation n'est pas indiquée sur l'emballage, nous vous conseillons de considérer une période maximale de 3 mois pour la conservation.
- Les denrées, même partiellement décongelées, ne peuvent pas être congelées à nouveau. Elles doivent être consommées immédiatement ou préparées et ensuite congelées.
- En cas d'interruption du courant, n'ouvrez pas la porte de l'appareil. Les denrées congelées ne seront pas affectées si l'interruption dure moins de 36 heures.

## Congélation avec Superfrost

Réglez la molette en position Superfrost.

L'indicateur Superfrost s'allumera.

Attendez 24 heures.

Rangez les aliments frais dans le congélateur.

Pour atteindre le niveau de congélation, la nourriture doit être en contact avec les parois internes de l'appareil, au moment où vous y installez les aliments.

La fonctionnalité Superfrost sortira automatiquement du mode congélation rapide après 50 heures de fonctionnement.

### **Important**

**Lorsque vous réglez la molette sur la position Superfrost, il se peut que le compresseur ne passe pas immédiatement en mode congélation rapide. Ceci est dû au commutateur intégré de mise en route retardée, conçu pour augmenter la durée de vie du bloc réfrigérant.**

Vous ne devez pas activer la fonction Superfrost:

- lorsque vous mettez des aliments congelés dans le congélateur;
- lorsque vous congelez plus de 2 kg d'aliments frais par jour.

## Dégivrage de l'appareil

- Nous vous conseillons de dégivrer le congélateur au moins deux fois par an, ou quand la couche de glace est trop épaisse.
  - La formation de glace est un phénomène normal.
  - La quantité et la rapidité de formation de la glace dépend des conditions ambiantes et de la fréquence d'ouverture de la porte.
  - Nous vous conseillons de dégivrer l'appareil quand la quantité de denrées est faible.
  - Avant le dégivrage, réglez le bouton du thermostat dans une position supérieure, pour permettre aux denrées d'accumuler plus de froid.
- Débranchez l'appareil.

Enlevez les denrées congelées, enveloppez-les dans plusieurs feuilles de papier et mettez-les dans un réfrigérateur ou autre place froide.

Prenez le panneau de separation et mettez-le sous le congélateur dans la direction du tube d'écoulement. Enlevez le bouchon d'obturation. L'eau qui résulte sera collectée dans le plateau special (panneau separateur). Après la fonte de la glace et l'écoulement de l'eau, nous vous prions de l'essuyer avec un chiffon ou une éponge, ensuite séchez bien. Mettez a sa place le bouchon d'obturation (Fig. 6) Pour une fonte rapide, laissez la porte ouverte.

**N'employez pas des objets métalliques pointus pour enlever la glace.**

**N'utilisez pas de séchoirs électriques ou d'autres appareils de chauffage pour le dégivrage.**

### ***Nettoyage de l'intérieur***

Avant de commencer le nettoyage, débranchez l'appareil.

- Nous vous recommandons de nettoyer l'appareil quand vous le dégivrez.
- Nettoyez l'intérieur avec de l'eau tiède et du détergent neutre. N'utilisez pas du savon, du détergent, de l'essence, de l'acétone ou tout autre nettoyant qui pourrait laisser une odeur persistante.
- Nettoyez avec une éponge humide et essuyez avec un chiffon mou.

Durant cette opération, évitez l'excès d'eau. L'eau peut s'introduire dans l'isolation thermique de l'appareil et provoquer des odeurs désagréables.

N'oubliez pas de nettoyer aussi le joint de la porte, et en particulier les nervures du soufflet avec un chiffon propre.

### ***Nettoyage de l'extérieur***

- Nettoyez l'extérieur du congélateur à l'aide d'une éponge avec de l'eau chaude et du savon. Essuyez ensuite avec un chiffon mou et sec.

- Le nettoyage de la partie extérieure du circuit frigorifique (compresseur, condenseur, tubes de connection) sera fait avec une brosse molle ou avec l'aspirateur. Pendant cette opération, nous vous prions de faire attention de ne pas déformer les tubes ou détacher les cables.

**N'utilisez pas de poudres abrasives!**

- Après avoir fini le nettoyage, mettez les accessoires à leurs places et branchez l'appareil.

### ***Remplacement de la lampe***

Si la lampe est grillée, débranchez l'appareil.

Détachez l'ornement de la lampe. Assurez-vous que la lampe soit vissée correctement. Branchez l'appareil. Si la lampe ne s'allume pas, remplacez-la avec une autre, modèle E14-15W. Mettez l'ornement de la lampe a sa place.

La lampe (s) utilisé dans cet appareil ne convient pas pour l'éclairage de la salle de ménage. Le but visé par cette lampe est d'aider à l'utilisateur de placer les aliments dans le réfrigérateur / congélateur d'une manière sûre et confortable. Les voyants utilisés dans cet appareil doivent résister aux conditions physiques extrêmes telles que des températures inférieures à -20°C.



## Dysfonctionnements

### L'appareil ne fonctionne pas

- L'alimentation électrique a été coupée.
- La fiche du câble d'alimentation n'est pas bien introduite dans la prise de courant.
- Le fusible a sauté.
- Le thermostat est en position "OFF".

### Les températures ne sont pas assez basses (le voyant rouge s'allume)

- Les denrées empêchent la porte de se fermer.
- L'appareil n'est pas placé correctement.
- L'appareil est placé trop près d'une source de chaleur.
- Le bouton du thermostat n'est pas dans la position correcte.

### Formation excessive de glace

- La porte n'a pas été bien fermée.

### L'éclairage intérieure ne fonctionne pas

- La lampe est grillée. Procédez à son remplacement comme indiqué plus haut.

## Bruits pendant le fonctionnement

Pour maintenir la température à la valeur que vous avez réglée, le compresseur de l'appareil se met en marche périodiquement. Les bruits que vous entendez dans cette situation sont normaux.

Ils diminuent en intensité à mesure que l'appareil atteint la température de fonctionnement.

Le bruit de bourdonnement est dû au compresseur. Il peut devenir un peu plus fort quand le compresseur démarre.

Les cliquetis de l'agent frigorigère qui circule dans les tubes de l'appareil, sont des bruits normaux.

### **Attention!**

N'essayez jamais de réparer vous-même l'appareil ou tout composant électrique. Toute réparation effectuée par une personne qui n'est pas autorisée est dangereuse pour l'utilisateur et peut avoir comme conséquence l'annulation de la garantie.

## Recyclage



Ce produit est marqué du symbole du tri sélectif, relatif aux déchets d'équipements électriques et électroniques. Cela signifie que ce produit doit être pris en charge par un système de collecte sélectif conformément à la directive européenne 2002/96/CE, afin de pouvoir être recyclé ou démantelé dans le but de réduire tout impact sur l'environnement. Attention les produits électroniques n'ayant pas fait l'objet d'un tri sélectif sont potentiellement dangereux pour l'environnement et la santé humaine en raison de la présence potentielle de substances dangereuses.

## Herzlichen Glückwunsch für Ihre Entscheidung !

Die von Ihnen erworbene waagerechte Tiefkühltruhe ist unser neuestes **BEKO** Produkt in der Baureihe . Sie hat ein neues ansprechendes Design, und wurde entwickelt, um den europäischen und nationalen Vorschriften zu entsprechen, was die beste Funktion und Sicherheit bietet.

Der Betrieb mit nur einem Kompressor, das Steuer- und Regelsystem mit einem einzigen Thermostat sichern einen guten Temperaturabgleich und einen geringen Energiebedarf. Hinzu sei erwähnt, daß das Kühlmittel R600a, welches in diesen Anlagen verwendet wird, umweltfreundlich ist und nicht die Ozonschicht der Atmosphäre beeinträchtigt.

Um dieses Gerät optimal zu nutzen, empfehlen wir ihnen, diese Betriebsanleitung aufmerksam durchzulesen.

### Empfehlungen zum Recycling Ihres alten Gerätes

Sollte das neu erworbene Gerät ein altes ersetzen, bitten wir Sie, folgendes zu beachten:

- Die gebrauchten Geräte sind nicht wertlose Abfälle. Deren umweltfreundliche Entsorgung erlaubt die Rückgewinnung von wichtigen Rohstoffen.
  - Das alte Gerät kann unter Einhaltung folgender Schritte entsorgt werden:
    - Gerät vom elektrischen Netz abschließen
    - Spannungsversorgungskabel entfernen (abtrennen);
    - Eventuell vorhanden Schlösser entfernen, um das Einschließen von verhindern (z.B. Kinder) - Lebensgefahr.
  - Die Kühlgeräte enthalten Dämmmaterialien und Kühlmittel, welche besonderen Entsorgungsmethoden bedürfen.
- Originalersatzteile stehen für einen Zeitraum von 10 Jahren ab Kaufdatum zur Verfügung.

**Dieses Gerät ist nicht dafür bestimmt durch Personen (einschließlich Kinder) mit eingeschränkten physischen, sensorischen oder geistigen Fähigkeiten oder mangels Erfahrung und/oder mangels Wissen benutzt zu werden, es sei denn, sie werden durch eine für ihre Sicherheit zuständige Person beaufsichtigt oder erhalten von ihr Anweisungen, wie das Gerät zu benutzen ist.**

## Recycling der Verpackung

### Vorsicht!

Gestatten Sie den Kindern nicht, mit der Verpackung oder mit Teilen der Verpackung zu spielen. Es besteht Erstickungsgefahr durch Wellpapier oder Kunststoffolie. Um eine Beschädigung des Gerätes beim Transport zu verhindern, wurden alle Materialien der Verpackung entsprechend den Vorschriften zur umweltfreundlichen Entsorgung entwickelt. Wir empfehlen die Verwertung der Verpackung, um die Umwelt zu schonen!

### WICHTIG!

Lesen Sie diese Anweisungen vollständig vor der Inbetriebnahme des Gerätes. Sie beinhalten wichtige Informationen zu der Aufstellung, dem Betrieb und der Wartung Ihres Gerätes. Bewahren sie die Gebrauchsanweisungen sicher auf, um auch später leicht zugänglich zu sein, Sie sind auch weiteren Benutzern des Gerätes sehr behilflich.

### WICHTIG!

Dieses Gerät ist nur für die vorgesehenen Zwecke zu betreiben (Haushalt), in entsprechenden Räumen, vor Regen, Feuchtigkeit oder anderen Umwelteinflüssen geschützt.

## Transportvorschriften

Wir empfehlen, das Gerät auch beim Transport nur in waagerechter Position zu halten. Während dem Transport muß die Verpackung unbeschädigt sein. Vor der Inbetriebnahme lassen Sie das Gerät für 4 Stunden stehen. Beim Transport sollte jedwelche Einwirkung auf den Kühlkreislauf vermieden werden (Gefahr von Verformungen an den Leitungen). Die Nichteinhaltung dieser Vorschriften kann zu Schäden an dem Motorkompressor führen und zum Erlöschen der Gewährleistung für das Gerät.

## Allgemeine Vorsichtsmaßnahmen und Empfehlungen

- Nehmen Sie das Gerät nicht in Betrieb, wenn ein Fehler daran bemerkt wurde.
- Vermeiden Sie die Verformung des Kühlmittelkreislaufes (Leitungen) beim Transport und bei der Aufstellung des Gerätes.
- Die Tiefkühltruhe sollte nur zur Aufbewahrung von tiefgefrorenen Lebensmitteln, das Tiefrieren von frischen Lebensmitteln und für die Herstellung von Eiswürfeln verwendet werden.
- Lassen sie die Türe des Gerätes nicht länger offen, als zum Herausnehmen oder Einlegen von Lebensmitteln notwendig ist.
- Im Inneren dürfen keine Produkte gehalten werden, welche brennbare oder explosive Gase enthalten.
- Verzehren Sie nicht Eiswürfel gleich nachdem sie aus der Tiefkühltruhe geholt wurden. Sie können Frostbiss verursachen.
- Berühren Sie niemals kalte metallische Teile oder tiefgefrorene Lebensmittel mit feuchten Händen. Ihre Hand kann sehr schnell an die sehr kalten Oberflächen anfrieren.
- Verbieten Sie den Kindern, sich hinter dem Gerät zu verstecken oder da zu spielen.
- Vor jedwelcher Reinigungsarbeit ist das Gerät von dem Spannungsnetz zu trennen.
- Um das Gerät vom Netz zu trennen, ziehen Sie an dem Stecker, nicht am Kabel!
- Steigen Sie nicht auf das Gerät.
- Betreiben Sie nicht das Gerät in der Nähe von Heizkörpern, Kochöfen oder anderen Hitzequellen oder neben Feuer.
- Zum Schutz des Gerätes bei Lagerung und Transport befinden sich Distanzstücke zwischen Tür und Gehäuse (vorne und hinten). Diese Distanzstücke werden entfernt, bevor das Gerät in Betrieb genommen wird.
- Überschüssiges Eis an Rahmen und Ablagen sollte regelmäßig mit dem mitgelieferten Plastikschaber entfernt werden. Nutzen Sie keine Metallgegenstände zur Eisentfernung. Durch Eisansammlung lässt sich die Tür nicht mehr richtig schließen.

- Lassen Sie keine Lebensmittel in dem Gerät wenn es nicht in Betrieb ist.
- Wird das Gerät nur für ein paar Tage nicht genutzt, ist es ratsam, es gar nicht abzustellen. Sollten Sie es für einen längeren Zeitraum nicht benutzen, gehen Sie wie folgt vor:
  - Ziehen Sie den Stecker des Netzkabels aus der Steckdose
  - Leeren Sie die Tiefkühltruhe;
  - Entfrosteten Sie diese und reinigen Sie sie.;
  - Lassen Sie den Deckel offen um unangenehme Geruchsentwicklung zu vermeiden.
- Wenn die Netzanschlussleitung dieses Gerätes beschädigt wird, muss sie durch den Hersteller oder seinen Kundendienst oder eine ähnlich qualifizierte Person ersetzt werden, um Gefährdungen zu vermeiden.

### **Die Umgebungstemperatur**

Das Gerät ist vorgesehen, seine Funktion zu gewährleisten mit der Einhaltung der Betriebskenndaten (lt. Betriebsanleitung und Kennplättchen) soweit die Umgebungstemperatur im Bereich  $-15^{\circ}\text{C}$  bis  $43^{\circ}\text{C}$  liegt.

Bei Umgebungstemperaturen unter der Minimalgrenze oder über der Maximalgrenze können Störungen im Betrieb des Gerätes auftreten.

Bei Umgebungstemperaturen über der Maximalgrenze von  $43^{\circ}\text{C}$ , umso mehr diese Temperatur überschritten wird, verkürzen sich die Pausen in dem Betrieb des Gerätes, dieses hat die Tendenz, ständig zu laufen, die inneren Temperaturen steigen an wie auch der Energieverbrauch.

Das Gerät ist weit von jedwelches Hitze- und Feuerquelle aufzustellen.

Das Aufstellen in einen warmen Raum oder in der Nähe von Hitzequellen (Heizkörper, Kochöfen, Backöfen usw.) führen zu einem erhöhten Stromverbrauch und mindern die Lebensdauer des Gerätes.

Bei der Aufstellung des Gerätes in Ihrer

Wohnung, sind folgende minimale Abstände einzuhalten:

- 100 cm von den Kochöfen, welche mit Kohle oder Öl geheizt werden;
- 150 cm von den elektrischen Kochöfen und/auch Gasöfen.

Sichern Sie die freie Luftzirkulation in der Umgebung des Gerätes indem Sie die Abstände einhalten, welche im Abb. 2 eingetragen sind.

Bauen Sie an den Kondensator die mitgelieferten Distanzstücke ein (Abb. 3).

- Der Boden oder das Gerüst, auf welches das Gerät aufgebaut wird, hat perfekt flach zu sein.

Bauen Sie das mitgelieferte Zubehör ein.

### **Anschließen an das Spannungsnetz**

- Ihr Gerät ist gebaut, um unter Wechselstrom, bei 220-240V/50 Hz. betrieben zu werden. Bevor Sie das Gerät an das Netz anschließen, überprüfen Sie die Kenndaten des Stromnetzes (Spannung, Art des Stromes, Frequenz) und deren Übereinstimmung mit den Kenndaten des Gerätes. Informationen zu der Versorgungsspannung und die Leistungsabnahme finden Sie auf dem Typenschild auf der Rückseite des Gerätes.

- Die elektrische Anlage muß den gesetzlichen Vorschriften entsprechen.

- Es ist gesetzlich vorgeschrieben, daß das Gerät nur an eine Steckdose mit Schutzkontakt (Erdung) erlaubt ist.

Der Hersteller zieht sich aus jedwelcher Haftung zurück in Fällen, in denen Sachschäden oder Verletzungen an Tieren oder Personen wegen Nichteinhaltung der o.g. Vorschriften auftreten.

- Das Gerät ist mit einer elektrischen Anschlußschnur und einem Stecker nach europäischen Normen. Der Stecker trägt die Markierung 10/16A und hat doppelten Schutzkontakt für die Erdung.

- Sollte die Steckdose nicht zu diesem Stecker passen, ist ein autorisierter Elektriker mit dem Tausch der Steckdose zu beauftragen.

- Es wird empfohlen, das Gerät nicht über Verlängerungskabel oder Adapter anzuschließen.  
Sollte das Gerät zwischen zwei Möbelstücken eingebaut sein, vergewissern Sie sich, daß diese nicht den Anschlußkabel zerquetschen.

### **Trennen vom Stromversorgungsnetz**

Die Trennung von dem Netz sollte immer gegeben sein, entweder durch das Abziehen des Steckers aus der Steckdose oder durch einen zweiadrigen Netz-Trennschalter vor der Steckdose.

### **Inbetriebnahme**

Vor der Inbetriebnahme ist der Innenteil des Gerätes zu säubern. (**näheres dazu unter Kapitel "Wartung und Reinigung des Gerätes"**).

Nach Beendigung dieses Arbeitsschrittes schließen Sie das Gerät an das Stromversorgungsnetz und drehen Sie den Thermostatregler in eine mittlere Position. Die grüne und die rote LED im Warnungsblock müssen aufleuchten. Lassen Sie das Gerät für etwa 2 Std. laufen, ohne Lebensmittel hineinzulegen.

Das Tiefgefrieren der frischen Lebensmittel ist erst nach mindestens 20 Std. Funktion gewährleistet.

### **Beschreibung des Gerätes**

(Abb. 1)

1. Griff
2. Tür
3. Glühbirne Innenbeleuchtung
4. Körbe
5. Trennwand
6. Schloß
7. Anzeigeblock
8. Abstandhalter für Transport

### **Einstellen der Temperatur**

Die Temperatur der Tiefkühltruhe wird über den Drehknopf Thermostat geregelt (Abb. 4). „MAX“ bedeutet niedrigste Temperatur. Die erzielten Temperaturen können unterschiedlich sein, je nach der Umgebungstemperatur, Aufstellungsort des Gerätes, Häufigkeit der Öffnung der Tür, Befüllungsgrad mit Lebensmitteln. Die Einstellung an dem Drehknopf Thermostat hat nach diesen Kriterien stattzufinden..  
Gewöhnlicherweise ist bei einer Außentemperatur von ca. 32°C, der Drehknopf auf eine mittlere Stellung zu bringen.

**Das Anzeigesystem** ist an der vorderen Seite des Gerätes angebracht (Abb. 5). Es beinhaltet:

1. Drehknopf Regelung Thermostat - Innentemperatur wird eingestellt
2. LED grün - Bestätigt, daß das Gerät Spannungsversorgung hat.
3. LED rot - Störung - leuchtet auf, wenn die Temperatur im Inneren zu hoch ist. Die LED wird nach dem Einschalten des Gerätes für ca. 15-45 Minuten aufleuchten, danach muß sie aber erlöschen. Sollte die LED während des Betriebes leuchten, deutet dies auf einen Störung hin.
4. Orange LED – Schnellgefrieren aktiviert. Nach Einstellung des Knopfs auf die Superfreeze-Position leuchtet die orange LED auf; sie zeigt an, dass das Gerät auf „Schnellgefrieren“ eingestellt ist. Dieser Modus wird nach 50 Stunden automatisch verlassen; anschließend läuft das Gerät im Energiesparmodus, die orange LED erlischt. Die drei LED liefern die Informationen über den Betriebszustand des Gerätes.

## **Tiefgefrieren von Lebensmitteln**

Die Tiefkühltruhe dient zur zeitmäßig langen Aufbewahrung von tiefgefrorenen Lebensmitteln.

- Wichtig für das erfolgreiche Tiefgefrieren der Lebensmittel ist die Verpackung. Anbei die wichtigsten Merkmale einer guten Verpackung für tiefgefrorene Lebensmittel: diese sollten dicht sein, nicht mit den beinhalteten Lebensmitteln reagieren, tiefen Temperaturen standhalten, undurchlässig für Flüssigkeiten, Fette, Wasserdämpfe, Gerüche sein und acuh waschbar sein. Diese Bedingungen werden von folgenden Arten von Verpackungen erfüllt: Folie aus Aluminium oder Kunststoff, Gefäße aus Kunststoff, Gefäße aus Aluminium, Becher auch Wachskarton oder Kunststoff.

### **Wichtig**

Laden Sie die Tiefkühltruhe nicht auf einmal mit einer zu großen Menge an Lebensmitteln. Die Lebensmittel sollten möglichst schnell und vollständig tiefgefroren werden, da nur auf diese Weise der Vitamingehalt, der Nahrungswert, das Aussehen und der Geschmack erhalten bleiben. Deshalb sollte die Tiefgefrierleistung nicht überschritten werden. Diese ist auf dem Typenschild des Gerätes eingetragen („Productdatenblatt“). 24 Stunden nach dem Hineinlegen der Lebensmittel ist das schnelle Tiefrieren zu deaktivieren, indem man erneut die Taste 4 drückt, wodurch auch die orangefarbene LED erlischt.

- Beim Tiefgefrieren von frischen Lebensmitteln sind die Körbe in dem Gerät zu verwenden.
- Heiße Lebensmittel sind vor den Tiefgefrieren bis auf Raumtemperatur abkühlen zu lassen.
- Frische Lebensmittel sollten nicht mit tiefgefrorenen in Berührung kommen.
- Die tiefgefrorenen Lebensmittel, welche man aus dem Fachhandel bezogen hat, können direkt in die Tiefkühltruhe gelegt werden, ohne daß eine Einstellung am Thermostat durchzuführen wäre.
- Sollte auf der Verpackung nicht das Datum der Tiefrierens eingetragen sein, kann man eine maximale Frist von 3 Monaten in betracht nehmen (als Richtwert).

- Lebensmittel, welche nach dem Tiefrieren auch nur teilweise aufgetaut sind, dürfen nicht mehr tiefgefroren werden. Es ist sofort zu gebrauchen oder nach dem Kochen, als Fertigpräparat wieder tiefzufrieren.
- Sprudelgetränke sind nicht in der Tiefkühltruhe aufzubewahren.
- Bei einem Stromausfall ist die Tür des Gerätes nicht zu öffnen. Tiefgefrorene Lebensmittel sind nicht beeinträchtigt, wenn der Stromausfall nicht länger als 36 Stunden dauert.

### **Einfrieren mit Superfrost**

- Stellen Sie den Knopf auf die Superfrost-Position ein. Die Superfrost-Lampe leuchtet auf.
- Warten Sie 24 Stunden.
- Geben Sie frische Lebensmittel in den Tiefkühlbereich. Damit die Lebensmittel schnell einfrieren, sollten sie beim Einlagern im Tiefkühlbereich mit Innenwänden in Kontakt stehen.
- Die Superfrost-Anlage schaltet das Verfahren zum Schnellgefrieren nach 50 Stunden automatisch ab.

### **Wichtig**

**Wenn Sie den Knopf auf die Superfrost-Position einstellen, schaltet sich der Kompressor möglicherweise einige Minuten nicht ein. Dies liegt am integrierten Einschaltverzögerungsschalter, der zur Erhöhung der Betriebslebenszeit des Kühlgerätes entwickelt wurde.**

In folgenden Fällen sollten Sie die Superfrost-Funktion nicht einschalten:

- Wenn Sie gefrorene Lebensmittel in den Tiefkühlbereich geben;
- Wenn Sie etwa bis zu 2 kg frische Lebensmittel täglich einfrieren.

## **Empfehlungen für das Enteisen des Gerätes**

- Die Bildung einer Eisschicht ist normal.
- Die Menge und die Geschwindigkeit der Ablagerung von Eis hängt von der Umgebungstemperatur ab und der Häufigkeit, mit der die Tür geöffnet wird.
- Wir empfehlen:
  - die Tiefkühltruhe wenigstens 2 mal im Jahr komplett auftauen zu lassen, oder auch jedes mal wenn die Eisschicht zu dick wrd.
  - die Enteisung dann durchzuführen, wenn die Menge von Lebensmitteln am geringsten ist.

- Wenigstens 2 Stunden vor der Enteisung sollte die Taste „Schnelles Tiefgefrieren“ (4) gedrückt werden, damit die Lebensmittel eine möglichst große Menge an Kälte aufnehmen können.
- Trennen Sie das Gerät von dem Netz.
- Entnehmen Sie alle tiefgefrorenen Lebensmittel, Wickeln Sie diese in mehrere lagen Papier und legen Sie diese in einen Kühlschrank oder an einen kühlen Ort.
- Nehmen Sie die Trennwand und Legen Sie diese unter die Tiefkühltruhe, unter die Abflußleitung. Ziehen Sie den Verschlußstopfen. Das abgefangene Wasser wird in die Tafel der Trennwand aufgenommen. Nach dem Schmelzen des Eises und Abtropfen des Wassers, wischen Sie das Gerät mit einem Lappen oder einem Schwamm und trocknen Sie es gut ab. Stecken Sie den Verschlußstopfen zurück in die Ablaufleitung.
- Um das Auftauen zu beschleunigen, lassen Sie die Tür offen.

**Es dürfen niemals spitze metallische Gegenstände für die Entfernung der Eiskruste verwendet werden.**

**Es dürfen nicht Haartrockner (Föhne) oder andere gleichartigen Heizgeräte zum beschleunigten Auftauen verwendet werden.**

### ***Innere Reinigung***

Vor dem Reinigen schalten Sie das Gerät vom Netz ab.

- Es ist empfehlenswert, das Gerät bei dem Auftauen auch zu reinigen.
- Die inneren Flächen werden mit lauwarmem Wasser und einem neutralen Spülmittel gewaschen. Verwenden Sie keine Seife, Waschmittel, Benzin oder Azeton, da sie einen prägnanten Geruch hinterlassen.
- Wischen Sie mit einem feuchten Schwamm und wischen Sie mit einem weichen Tuch.. Dabei ist ein Überschuss an Wasser zu vermeiden, um es zu verhindern, daß dieses in die Wärmeisolation des Gerätes dringt. Dieses könnte zu vermehrter Geruchsentwicklung beitragen.

**Vermeiden Sie den Wassereintritt in die Kiste der Innenbeleuchtung!**

Vergessen Sie nicht, auch die Dichtung der Tür mit einem reinen Lappen zu wischen.

### ***Äußere Reinigung***

- Die äußeren Bereiche des Gerätes wischen Sie mit einem feuchten Schwamm, in Spülmittellösung getränkt.
  - Die Reinigung der äußeren Teile der Kühlanlage (Motorkompressor, Kondensator, Leitungen) erfolgt mit einer weichen Bürste oder mit dem Staubsauger. Dabei ist zu beachten, daß. Dabei ist Vorsicht zu tragen, um nicht die Leitungen zu verbiegen oder den Leitungssatz zu beschädigen.
- Es darf kein Reinigungssand oder Scheuermittel verwendet werden!**
- Nach dem Reinigen ist das ganze Zubehör zurück einzubauen.

### ***Erneuern der inneren Glühbirne***

Sollte die Glühbirne durchbrennen, trennen sie zu erst das Gerät von dem Netz. Bauen Sie die Leuchteinheit aus. Vergewissern Sie sich zu erst, ob die Birne richtig eingeschraubt war. Schließen Sie das Gerät wieder an. Sollte die Birne trotzdem nicht leuchten, ist sie durch eine vom Typ E14-15W erneuern. Bauen Sie die Dacheinheit ein. Die Glühbirnen für dieses Haushaltsgerät sind für Beleuchtungszwecke nicht geeignet. Die beabsichtigte Aufgabe dieser Lampe ist es den Benutzer zu ermöglichen die Platzierung der Lebensmittel in den Kühlschrank / Eiskühltruhe sicher und bequem vorzunehmen.

Die in diesem Gerät verwendeten Lampen müssen extremen physikalischen Bedingungen, wie z. B. Temperaturen von -20°C, standhalten.

## Fehlersuchplan

**Sollte ihr Gerät nicht funktionieren, dan ist folgendes zu überprüfen:**

- Stromversorgung unterbrochen.
- Stecker des Anschlußkabels richtig in Steckdose gesteckt. Der Stecker des Anschlußkabels ist richtig in die Steckdose gesteckt.
- Sicherung durchgebrannt
- Thermostat auf **OFF**.

**Temperatur nicht niedrig genug (rote LED leuchte).**

- Lebensmittel verhidern das vollständige Schließen der Tür.
- Gerät nicht ordnungsgemäß aufgestellt.
- Gerät zu nahe an einer Wärmequelle.
- Thermostatregeldreher nicht in der richtigen Position.

**Übermäßige Eisbildung**

Tür nicht richtig geschlossen.

**Innenbeleuchtung hat keine Funktion.**

- Glühbirne durchgebrannt.
- Automatischer Schalter in der Tür defekt.

## Geräusche im Betrieb

Um die eingestellte Temperatur zu halten, muß der Motorkompressor von Zeit zu Zeit starten.

Die dabei entstehenden Geräusche sind normal.

Sie mindern sobald das Gerät die Betriebtemperatur erreicht hat.

**Summen** wird verursacht von dem Motorkompressor. Das Geräusch ist etwas lauter, wenn der Kompressor startet.

**Gurgeln und Zurren** werden von dem Kältemittel verursacht, wenn dieses durch die Leitungen der Kühlanlage rinnt. Diese Geräusche sind als normale Betriebsgeräusche zu betrachten..

Jedes mal wenn das Thermostat ein- oder ausschaltet, ist ein metallisches Klingeln zu hören.



### Bedeutung des Symbols „Mülltonne“

Schonen Sie unsere Umwelt, Elektrogeräte gehören nicht in den Hausmüll.

Nutzen Sie die für die Entsorgung von Elektrogeräten vorgesehenen Sammelstellen und geben dort Ihre Elektrogeräte ab die Sie nicht mehr benutzen werden.

Sie helfen damit die potenziellen Auswirkungen, durch falsche Entsorgung, auf die Umwelt und die menschliche Gesundheit zu vermeiden.

Sie leisten damit Ihren Beitrag zur Wiederverwertung, zum Recycling und zu anderen Formen der Verwertung von Elektro- und Elektronik-Altgeräten.

Informationen, wo die Geräte zu entsorgen sind, erhalten Sie über Ihre Kommunen oder die Gemeindeverwaltungen.

In vielen Ländern der EU ist die Entsorgung von Elektro- und Elektronik-Altgeräten über den Haus- und/oder Restmüll ab 13.8.2005 verboten.

In Deutschland ab 23.3.2006.



## ¡Enhorabuena por su elección!

**El congelador de arcón que ha adquirido pertenece a la gama de productos BEKO y representa una armoniosa conjunción de técnica de refrigeración y aspecto estético.**

Posee un nuevo y atractivo diseño y se ha construido según los estándares europeos y nacionales que garantizan sus características de funcionamiento y seguridad. Al mismo tiempo, el refrigerante utilizado, R600a, es respetuoso con el medio ambiente y no afecta a la capa de ozono.

Con el fin de sacar el mejor partido de su congelador, aconsejamos leer detenidamente la información de estas instrucciones del usuario.

## Consejos para reciclar el antiguo aparato

Si el aparato que se acaba de adquirir sustituye a un electrodoméstico antiguo, se deben tener en cuenta algunos aspectos.

Los electrodomésticos antiguos no son chatarra sin valor. Su eliminación, al tiempo de preservar el medio ambiente, permite la recuperación de importantes materias primas.

Inutilizar el antiguo electrodoméstico de esta forma:

- desconectar el aparato del suministro eléctrico;
- quitar el cable de suministro eléctrico (cortarlo);
- quitar las posibles cerraduras de la puerta, para evitar el bloqueo de niños en su interior mientras juegan, algo que puede poner en peligro sus vidas.

Los aparatos de refrigeración contienen materiales aislantes y refrigerantes que requieren un reciclado adecuado.

Se proporcionarán piezas de recambio originales durante 10 años, después de la fecha de compra del producto.

**Este aparato no ha sido diseñado para ser usado por personas con discapacidades físicas, sensoriales o mentales; tampoco para personas sin experiencia o conocimiento del aparato, a no ser que estén supervisadas o instruidas por alguien responsable de su seguridad.**

**Los niños deben de estar controlados para que no jueguen con el aparato.**

## Reciclado del embalaje

### ADVERTENCIA

**No deje que los niños jueguen con el embalaje o con alguna parte del mismo. Existe el riesgo de asfixia con las partes del cartón ondulado y con la película de plástico.**

Para que llegue a usted en buenas condiciones, el aparato se ha protegido con un embalaje apropiado. Todos los materiales del embalaje son compatibles con el medio ambiente y son reciclables. Por favor, ayúdenos a reciclar el embalaje al tiempo que se protege el medio ambiente.

### IMPORTANTE:

Antes de poner en marcha el electrodoméstico, leer detenidamente estas instrucciones en su totalidad. Contienen información importante relativa a la instalación, uso y mantenimiento del aparato. El fabricante no asume ninguna responsabilidad si no se cumplen las instrucciones de este documento. Guarde las instrucciones en un lugar seguro para tenerlas a mano en caso de necesidad. Pueden resultarles útiles a los usuarios posteriores.

### ¡ATENCIÓN!

**Este electrodoméstico sólo debe usarse para su finalidad prevista (uso doméstico), en zonas apropiadas, lejos de la lluvia, la humedad o cualquier otro fenómeno meteorológico.**

## Instrucciones de transporte

En la medida de lo posible, el aparato se debe transportar solamente en posición vertical. Durante el transporte el embalaje debe estar en perfectas condiciones.

Si durante el transporte el electrodoméstico se colocó en posición horizontal (solamente según las marcas del embalaje), se aconseja que, antes de poner el electrodoméstico en funcionamiento, se deje sin actividad durante 4 horas, con el fin de permitir la estabilización del circuito refrigerante.

Si no se cumplen estas instrucciones, se puede provocar la avería del compresor del motor y la cancelación de su garantía.

## Advertencias y consejos generales

- No enchufar el aparato si se advierte un fallo.
- Las reparaciones sólo deben hacerse por personal cualificado.
- En las siguientes situaciones desenchufar el aparato de la red eléctrica:
  - al deshelar completamente el aparato;
  - al limpiar el aparato.
- Para desenchufar el electrodoméstico, tirar del enchufe, no del cable.**
- Asegurarse de que existe el mínimo espacio entre el aparato y la pared frente a la que está colocado.
- No subirse encima del aparato.
- No dejar que los niños jueguen o se escondan dentro del aparato.
- No utilizar nunca aparatos eléctricos dentro del congelador para deshelar.
- No utilizar el electrodoméstico cerca de aparatos de calefacción, cocinas o cualquier otra fuente de calor y fuego.
- No dejar abierta la puerta del congelador más de lo necesario para meter o sacar los alimentos.
- No dejar los alimentos en el electrodoméstico si no está en funcionamiento.
- No tener dentro productos que contengan gases inflamables o explosivos.
- No tener en el congelador bebidas gaseosas (zumos, agua mineral, champán, etc.); ¡la botella puede explotar! No congelar bebidas en botellas de plástico.
- No tomar cubitos de hielo o helado inmediatamente después de haberlos sacado del congelador, porque pueden provocar "quemaduras" en los labios.
- No tocar nunca las partes metálicas frías o la comida congelada con las manos húmedas, porque sus manos se pueden congelar rápidamente en las superficies muy frías.
- Para proteger la aplicación durante su almacenamiento o traslado, se provee con separadores entre la puerta y el gabinete (en la parte frontal y trasera). Estos separadores se eliminarán antes de poner la aplicación en funcionamiento.

- Si existe una capa excesiva de hielo, eliminarla regularmente con el rascador de plástico incluido. No utilizar objetos metálicos afilados para quitar el hielo.

La presencia de esta acumulación de hielo evita que la puerta cierre correctamente.

- Si no se usa el electrodoméstico durante algunos días no es aconsejable apagarlo. Si no se usa durante un período prolongado, proceda de la siguiente manera:

- desenchufar el aparato;
- vaciar el congelador;
- deshelo y limpiarlo;
- dejar la puerta abierta para evitar la formación de olores desagradables.

- Si el cable de alimentación estuviera dañado, el fabricante, el servicio de atención al cliente o una persona cualificada deberán sustituirlo para evitar peligros.

- Si el electrodoméstico tiene un dispositivo de bloqueo, manténgalo trabado y mantenga la llave fuera del alcance de los niños. Al deshacerse de un electrodoméstico con bloqueo, compruebe que este dispositivo esté fuera de servicio. Esto es de suma importancia para evitar que un niño quede atrapado en su interior, lo que le podría causar la muerte.

## Instalación

Este electrodoméstico ha sido diseñado para funcionar a una temperatura ambiente entre  $-15^{\circ}\text{C}$  y  $+43^{\circ}\text{C}$ . Si la temperatura ambiente es superior a  $+43^{\circ}\text{C}$ , la temp. dentro del electrodoméstico puede aumentar.

Instalar el aparato lejos de cualquier fuente de calor y fuego. La colocación en una habitación caliente, la exposición directa a los rayos solares o cerca de una fuente de calor (calefacciones, cocinas, hornos), aumentarán el consumo de potencia y acortarán la vida del producto.

- Observar las siguientes distancias mínimas:
  - 100 cm desde las cocinas que funcionen con carbón o petróleo;
  - 150 cm desde las cocinas eléctricas y de gas.

- Garantizar la libre circulación del aire alrededor del aparato, observando las distancias mostradas en el Elemento 2. Montar en el condensador (en la parte posterior) los espaciadores suministrados. (Elemento 3).

- Colocar el electrodoméstico en un lugar perfectamente nivelado, seco y ventilado. Instalar los accesorios suministrados.

## Conexiones eléctricas

Este electrodoméstico está diseñado para funcionar a una tensión monofásica de 220-240 V/50 Hz. Antes de enchufar el aparato, comprobar que los parámetros de la red de la casa (voltaje, tipo de corriente, frecuencia) cumplen los parámetros de funcionamiento del aparato.

- La información relativa al voltaje de alimentación y la potencia absorbida se indica en la placa de datos técnicos situada en la parte posterior del refrigerador.
- La instalación eléctrica debe cumplir los requisitos contemplados en las leyes.
- **La toma de tierra del electrodoméstico es obligatoria. El fabricante no asume ninguna responsabilidad de ningún daño a personas, animales o bienes que pueda surgir del incumplimiento de las condiciones especificadas.**
- El aparato está provisto de un cable de alimentación y un enchufe (tipo europeo, marcado 10/16A) con contacto de doble toma de tierra para mayor seguridad. Si la toma de corriente no es del mismo tipo que el enchufe, hay que pedirle a un electricista especializado que la cambie.
- No utilizar piezas de extensión o adaptadores múltiples.

## Desconexión

La desconexión debe ser posible sacando el enchufe de la toma de corriente o por medio de un conmutador bipolar de red situado antes de la toma de corriente.

## **Funcionamiento**

Antes de poner en funcionamiento el electrodoméstico, limpiar el interior (véase el capítulo ("Limpieza")).

Al terminar esta operación, enchufe el aparato y coloque el botón del termostato en una posición intermedia. Los indicadores luminosos de color verde y rojo situados en el bloque de señalización deberán encenderse. Dejar el aparato funcionando durante unas 2 horas sin colocar alimentos en su interior. La congelación de los alimentos frescos es posible después de un mínimo de 20 horas de funcionamiento.

## **Descripción del electrodoméstico**

(Elemento 1)

1. Asa de la puerta
2. Puerta
3. Alojamiento de la lámpara
4. Cestas
5. Bandeja
6. Alojamiento del sistema de bloqueo
7. Caja del termostato
8. Espaciador para transporte

## **Funcionamiento del congelador**

### **Ajuste de la temperatura**

La temperatura del congelador se ajusta mediante un mando ubicado en el termostato (elemento nº 4), siendo la posición "MAX" la de menor temperatura.

Las temperaturas obtenidas pueden variar de acuerdo con las condiciones de uso del electrodoméstico, tales como: colocación del aparato, temperatura ambiente, frecuencia con que se abra la puerta, cantidad de alimentos que hay en el congelador. La posición del mando del termostato cambiará según estos factores. Normalmente, para una temperatura ambiente de aproximadamente 32° C, el termostato estará ajustado en una posición intermedia.

**El sistema de señalización está situado en el lado delantero del congelador (Elemento 5).** Incluye:

1. Mando de ajuste del termostato – para ajustar la temperatura interior.
2. LED verde – indica que el aparato recibe suministro de energía.
3. LED rojo – defectos – se ilumina si la temperatura del congelador es demasiado alta. El LED se iluminará durante 15-45 minutos después de poner el aparato en funcionamiento; a continuación, se debe apagar. Si el LED se apaga durante el funcionamiento, significa que se ha producido algún problema.
4. LED de función de congelación de Orange-fast activado - estableciendo la perilla a la posición Superfreeze el led naranja se enciende, indicando que el aparato entró en el modo de "congelación rápida". La salida de este modo se realiza automáticamente después de 50 horas, después que el aparato funciona en modo económico, y el LED naranja se apaga.

Los tres LED informan sobre el modo de operación del congelador.

## **Consejos para la conservación de alimentos**

El congelador está destinado a conservar la comida congelada durante un tiempo prolongado, así como a congelar alimentos frescos.

Uno de los elementos esenciales para una congelación satisfactoria de los alimentos es el envase.

Las condiciones principales que debe cumplir el envase son las siguientes: que sea hermético, que sea inerte hacia los alimentos envasados, que resista bajas temperaturas, que sea estanco a líquidos, grasa, vapores de agua, olores, que se pueda lavar.

Estas condiciones las cumplen los siguientes tipos de envases: película de plástico o aluminio, recipientes de plástico y aluminio, vasos de cartón parafinado o vasos de plástico.

**IMPORTANTE:**

- Para congelar alimentos frescos, emplee las cestas provistas con el aparato.
  - No colocar en el congelador una cantidad demasiado grande de alimentos a la vez. La calidad de los alimentos se conserva mejor si se congelan a fondo lo más rápidamente posible. Esta es la razón por la que es aconsejable no sobrepasar la capacidad de congelación del aparato, que se especifica en "Ficha de Producto".
  - Los alimentos frescos no deben entrar en contacto con los alimentos ya congelados.
  - Los alimentos congelados que se hayan comprado se pueden colocar en el congelador sin tener que ajustar el termostato.
- Si la fecha de congelación no se indica en el envase, hay que tener en cuenta un período de 3 meses como máximo, como norma general.
- Los alimentos, incluso parcialmente deshelados, no se pueden congelar de nuevo; se deben consumir inmediatamente o cocinarse y después volverse a congelar.
  - Las bebidas gaseosas no se guardarán en el congelador.
  - En caso de una interrupción de la corriente eléctrica, no abrir la puerta del electrodoméstico. Los alimentos congelados no se verán afectados si la avería dura menos de 36 horas.

**Congelar con SuperFrost**

- Coloque la perilla a la posición de súper congelación. La lámpara Superfrost se enciende.
- Espere 24 horas.
- Coloque los alimentos frescos en el congelador. Con el fin de lograr la congelación rápida, los alimentos deben estar en contacto con las paredes interiores cuando se coloca en el congelador.
- La instalación Superfrost cambia automáticamente el procedimiento de congelación rápida después de 50 horas.

**Importante**

**Cuando se coloca el mando en posición Superfrost, el compresor no puede encender durante unos minutos. Esto es debido al interruptor de subida de retardo integrado que está diseñado para aumentar la vida útil de la unidad de refrigeración.**

No es necesario activar la función Superfrost:

- Si se introducen alimentos ya congelados;
- Si se congelan hasta aprox. 2 kg de alimentos frescos todos los días.

**Deshielo del aparato**

- Aconsejamos que se deshiele el congelador al menos dos veces al año o cuando la capa de hielo tenga un grosor excesivo.
  - La acumulación de hielo es un fenómeno normal.
  - La cantidad y rapidez de la acumulación de hielo depende de las condiciones ambientales y de la frecuencia con que se abra la puerta.
  - Aconsejamos deshelar el aparato cuando la cantidad de alimentos congelados sea la menor.
  - Antes de deshelar, ajustar el mando del termostato a una posición superior, para que los alimentos se conserven más fríos.
  - Desenchufar el aparato;
  - Sacar los alimentos congelados, envolverlos en varias hojas de papel y colocarlos en el refrigerador o en un lugar fresco.
- Tome el panel separador y colóquelo bajo el congelador en el sentido del tubo de goteo. Retire el tapón. El agua resultante será recogida en una bandeja especial (panel separador). Una vez derretido el hielo y escurrida el agua, limpie con un paño o esponja y luego seque bien. Retorne el tapón a su sitio. (Elemento 6)
- Si desea acelerar el descongelamiento, deje abierta la puerta.

**No utilizar objetos metálicos afilados para quitar el hielo.**

**No usar secadores de pelo o cualquier otro aparato de calentamiento para deshelar.**

## ***Limpieza del interior***

Antes de iniciar la limpieza, desenchufar el aparato de la red.

- Es aconsejable limpiar el electrodoméstico cuando se deshiele.
- Limpiar el interior con agua tibia, a la que se añadirá algo de detergente neutro. No usar jabón, detergente, gasolina o acetona, que pueden dejar un olor fuerte.
- Limpiar con una esponja húmeda y secar con un paño suave.

Durante esta operación, evitar el exceso de agua, con el fin de impedir su entrada en el aislamiento térmico del aparato, lo que podría provocar olores desagradables.

No hay que olvidar limpiar también la junta de la puerta, especialmente los nervios del fuelle, con un paño limpio.

## ***Limpieza del exterior***

- Limpiar el exterior del congelador con una esponja empapada en agua tibia jabonosa, limpiar con un paño suave y secar.
- La limpieza de la parte exterior del circuito refrigerante (compresor del motor, condensador, conductos de conexión) se realizará con un cepillo suave o con la aspiradora. Durante esta operación, procurar no deformar los conductos ni separar los cables.

**No utilizar materiales corrosivos ni abrasivos.**

- Tras finalizar la limpieza, volver a colocar en su lugar los accesorios y enchufar el aparato.

## ***Sustitución de la bombilla interior***

Si la lámpara se quema, desenchufe el aparato. Retire la moldura que cubre la lámpara. Fíjese si la lámpara está bien enroscada. Vuelva a enchufar el aparato. Si la lámpara sigue sin encender, reemplácela por otra modelo E14-15W. Restituya la moldura que cubre la lámpara en su sitio.

Las bombillas de este electrodoméstico no sirven para la iluminación en el hogar. Su propósito es el de ayudar al usuario a colocar los alimentos en el frigorífico o congelador de forma cómoda y segura.

Las lámparas utilizadas en este electrodoméstico deben soportar unas condiciones físicas extremas como temperaturas inferiores a -20° C.

## ***Guía de localización de averías***

**El electrodoméstico no funciona.**

- Hay una interrupción de la corriente eléctrica.
- El enchufe del cable de alimentación no está bien introducido en la toma de corriente.
- El fusible está fundido.
- El termostato está en la posición "OFF".

**Las temperaturas no son lo bastante bajas (el LED rojo está encendido).**

- Los alimentos impiden que la puerta se cierre.
- El aparato no se colocó correctamente.
- El aparato está colocado demasiado cerca de una fuente de calor.
- El mando del termostato no está en la posición correcta.

**Excesiva acumulación de hielo**

- La puerta no se cerró correctamente.

**La luz interior no funciona**

- La lámpara se quemó. Desenchufe el aparato, retire la lámpara y cámbiela por una nueva.

**Lo siguiente no se consideran defectos**

- Posibles movimientos alternativos y crujidos procedentes del producto: circulación del refrigerante en el sistema.

### Ruidos durante el funcionamiento

Para mantener la temperatura en el valor fijado, el compresor del aparato se enciende periódicamente.

Los ruidos que se escuchan en dicha situación son normales.

Estos se reducen tan pronto como el aparato alcanza la temperatura de funcionamiento.

El compresor emite un zumbido. Puede hacerse un poco más fuerte cuando arranca el compresor.

Los ruidos de burbujeo o borboteo procedentes del refrigerante que circula por los conductos del aparato son ruidos de funcionamiento normal.

### **Advertencia:**

No intentar nunca reparar el electrodoméstico o sus componentes eléctricos. Cualquier reparación llevada a cabo por una persona no autorizada es peligrosa para el usuario y puede dar lugar a la cancelación de la garantía.



Este producto incorpora el símbolo de recogida selectiva de residuos de equipos eléctricos y electrónicos.

Ello significa que este producto debe ser manipulado teniendo en cuenta la Directiva Europea 2002/96/EC, en orden de ser reciclado o recuperado para minimizar su impacto en el medio ambiente. Para más información rogamos contacte con las autoridades locales o regionales más próximas a su domicilio.

Los productos electrónicos no incluidos en el proceso de recogida selectiva son potencialmente peligrosos para el medio ambiente y la salud humana debido a la presencia de ciertas sustancias.

## Συγχαρητήρια για την επιλογή σας!

Ο καταψύκτης που έχετε προμηθευτεί είναι ένα από τα προϊόντα της σειράς **BEKO** και αντιπροσωπεύει έναν αρμονικό συνδυασμό τεχνολογίας ψύξης και αισθητικού αποτελέσματος. Διαθέτει νέο και ελκυστικό σχεδιασμό και είναι κατασκευασμένος με τα Ευρωπαϊκά και τα διεθνή πρότυπα τα οποία εγγυώνται τη λειτουργία της και τα χαρακτηριστικά ασφάλειας που προσφέρει. Συγχρόνως, το ψυκτικό μέσο που χρησιμοποιεί, το R600a, είναι φιλικό προς το περιβάλλον και δεν επηρεάζει τη στιβάδα του όζοντος.

Για να χρησιμοποιήσετε τον καταψύκτη σας με τον καλύτερο τρόπο, σας συμβουλεύουμε να διαβάσετε προσεκτικά τις πληροφορίες σ' αυτές τις οδηγίες χρήσης.

## Συμβουλές για την ανακύκλωση της παλιάς σας συσκευής

Αν η συσκευή που μόλις προμηθευτήκατε αντικαθιστά μια παλαιότερη συσκευή, πρέπει να λάβετε υπόψη σας ορισμένα θέματα.

Οι παλαιές συσκευές δεν είναι απορρίμματα χωρίς αξία. Η απόρριψή τους με τρόπο που προστατεύει το περιβάλλον επιτρέπει την ανάκτηση πολύτιμων πρώτων υλών.

Θέστε την παλαιά σας συσκευή εκτός δυνατότητας χρήσης:

- αποσυνδέστε τη συσκευή από το ρεύμα,
- αφαιρέστε το καλώδιο ρεύματος (κόψτε το),
- αφαιρέστε τυχόν συστήματα ασφάλισης από την πόρτα για να αποφύγετε να παγιδευτούν μέσα παιδιά ενώ παίζουν και να τεθούν σε κίνδυνο οι ζωές τους.

Οι συσκευές ψύξης περιέχουν μονωτικά υλικά και ψυκτικά μέσα τα οποία απαιτούν κατάλληλη ανακύκλωση.

Η συσκευή δεν προορίζεται για χρήση από άτομα με μειωμένες σωματικές και διανοητικές ικανότητες ή έλλειψη εμπειρίας και γνώσης εκτός αν βρίσκονται υπό την παρακολούθηση ατόμου που είναι υπεύθυνο για την ασφάλειά τους.

Τα παιδιά πρέπει να επιτηρούνται για να επιβεβαιωθεί ότι δεν παίζουν με την συσκευή.



## Ανακύκλωση της συσκευασίας

### ΠΡΟΕΙΔΟΠΟΙΗΣΗ!

Μην επιτρέπεται σε παιδιά να παίζουν με τη συσκευασία ή μέρη από αυτήν. Υπάρχει ο κίνδυνος πνιγμού με τμήματα από κυματοειδές χαρτόνι και με πλαστικές μεμβράνες.

Για να φθάσει σε σας σε καλή κατάσταση, η συσκευή έχει προστατευθεί με κατάλληλη συσκευασία. Όλα τα υλικά της συσκευασίας είναι συμβατά με το περιβάλλον και ανακυκλώσιμα. Παρακαλούμε βοηθήστε μας να ανακυκλώσουμε τη συσκευασία προστατεύοντας συγχρόνως το περιβάλλον.

### ΣΗΜΑΝΤΙΚΕΣ ΠΑΡΑΤΗΡΗΣΕΙΣ!

Πριν θέσετε τη συσκευή σε λειτουργία, διαβάστε προσεκτικά όλες αυτές τις οδηγίες. Περιέχουν σημαντικές πληροφορίες σχετικά με την εγκατάσταση, τη χρήση και τη συντήρηση της συσκευής.

Ο κατασκευαστής δεν φέρει καμία ευθύνη αν δεν τηρούνται οι πληροφορίες σ' αυτό το έγγραφο. Διατηρείτε τις οδηγίες σε ασφαλές μέρος για να τις βρείτε εύκολα σε περίπτωση ανάγκης. Μπορούν επίσης να είναι χρήσιμες αργότερα και για επόμενο χρήστη της συσκευής.

### ΠΡΟΣΟΧΗ!

Η συσκευή πρέπει να χρησιμοποιείται μόνο για τη χρήση για την οποία προορίζεται (οικιακή χρήση), σε κατάλληλους χώρους, μακριά από βροχή, υγρασία ή άλλα καιρικά φαινόμενα.

## Οδηγίες για τη μεταφορά

Η συσκευή θα πρέπει να μεταφέρεται, όσο το δυνατόν περισσότερο, σε όρθια θέση. Η συσκευασία πρέπει να είναι σε άριστη κατάσταση κατά τη μεταφορά.

Αν κατά τη διάρκεια της μεταφοράς η συσκευή τέθηκε σε οριζόντια θέση (μόνο σε σχέση με τη σήμανση στη συσκευασία), συμβουλευόμαστε, πριν τεθεί σε λειτουργία, να αφήσετε τη συσκευή σε ηρεμία για 4 ώρες για να εξισορροπηθεί το ψυκτικό κύκλωμα.

Σε περίπτωση μη τήρησης αυτών των οδηγιών, μπορεί να προκληθεί σοβαρή βλάβη του συμπιεστή και η ακύρωση της εγγύησης της συσκευής.

## Προειδοποιήσεις και γενικές συμβουλές

- Μη συνδέσετε τη συσκευή στο ρεύμα αν προσέξετε μια βλάβη.
- Οι επισκευές πρέπει να διεξάγονται μόνο από εξουσιοδοτημένο προσωπικό.
- Στις ακόλουθες καταστάσεις παρακαλούμε να αποσυνδέετε τη συσκευή από την πρίζα:
  - όταν εκτελείτε πλήρη απόψυξη της συσκευής,
  - όταν καθαρίζετε τη συσκευή.

### Για να αποσυνδέσετε τη συσκευή από την πρίζα, τραβήξτε το φως, όχι το καλώδιο!

- Εξασφαλίστε την ελάχιστη απόσταση ανάμεσα στη συσκευή και τον τοίχο δίπλα στον οποίον τοποθετείται.
- Μην ανεβαίνετε στη συσκευή.
- Μην επιτρέπεται σε παιδιά να παίζουν με τη συσκευή ή να κρύβονται μέσα σ' αυτή.
- Ποτέ μη χρησιμοποιείτε ηλεκτρικές συσκευές μέσα στον καταψύκτη, για απόψυξη.
- Μη χρησιμοποιείτε τη συσκευή κοντά σε συσκευές θέρμανσης, κουζίνες μαγειρέματος ή άλλες πηγές θερμότητας και φωτιάς.
- Μην αφήνετε την πόρτα του καταψύκτη ανοικτή περισσότερο απ' όσο απαιτείται για να βάλετε ή να βγάλετε τα τρόφιμα.
- Μην αφήνετε τα τρόφιμα μέσα στη συσκευή αν δεν λειτουργεί.
- Μη διατηρείτε μέσα στη συσκευή προϊόντα που περιέχουν εύφλεκτα ή εκρηκτικά αέρια.
- Μη διατηρείτε μέσα στον καταψύκτη αεριούχα ποτά (χυμούς, μεταλλικό νερό, σαμπάνια κλπ.): το μπουκάλι μπορεί να εκραγεί! Μην παγώνετε ποτά σε πλαστικά μπουκάλια.
- Μην καταναλώνετε παγάκια ή παγωτό αμέσως αφού τα βγάλετε από τον καταψύκτη, επειδή μπορούν να προκαλέσουν "κρουοπαγήματα".
- Ποτέ μην αγγίζετε μεταλλικά κομμάτια ή κατεψυγμένα τρόφιμα με υγρά χέρια, επειδή τα χέρια σας μπορεί να παγώσουν πολύ γρήγορα πάνω στις πολύ παγωμένες επιφάνειες.
- Για την προστασία της συσκευής κατά τη διάρκεια της αποθήκευσης και της μεταφοράς της, έχουν χρησιμοποιηθεί αποστάτες μεταξύ της πόρτας και του θαλάμου (στη μπροστινή και στην πίσω πλευρά). Οι αποστάτες αυτοί πρέπει να αφαιρεθούν πριν τεθεί σε λειτουργία η συσκευή.

• Αν υπάρχουν υπερβολικές αποθέσεις πάγου στο πλαίσιο και στα καλάθια, αυτές θα πρέπει να αφαιρούνται τακτικά με το παρεχόμενο πλαστικό ξέστρο. Μη χρησιμοποιήσετε οποιοδήποτε μεταλλικό αντικείμενο για να αφαιρέσετε τον πάγο.

Η παρουσία αυτής της συσσώρευσης πάγου δεν επιτρέπει να κλείσει σωστά η πόρτα.

• Αν δεν χρησιμοποιείτε τη συσκευή σας για λίγες ημέρες, δεν συνιστούμε να την απενεργοποιήσετε. Αν δεν τη χρησιμοποιείτε για μεγαλύτερη περίοδο, παρακαλούμε προχωρήστε ως εξής:

- αποσυνδέστε τη συσκευή από το ρεύμα,  
- αδειάστε τον καταψύκτη,  
- κάνετε απόψυξη και καθαρίστε τον,  
- αφήστε την πόρτα ανοικτή για να αποφύγετε την ανάπτυξη δυσάρεστων οσμών.

• Αν το καλώδιο τροφοδοσίας έχει υποστεί ζημιά, για να αποφύγετε κινδύνους, αυτό θα πρέπει να αντικατασταθεί από τον κατασκευαστή, τον αντιπρόσωπό του για τεχνική εξυπηρέτηση ή άλλα άτομα με παρόμοια εξουσιοδότηση.

• Αν η συσκευή σας διαθέτει κλειδωμα, κρατάτε τη κλειδωμένη και φυλάξτε το κλειδί σε ασφαλές μέρος, πού δεν μπορούν να το φθάσουν τα παιδιά. Αν πρόκειται να απορρίψετε μια συσκευή που διαθέτει κλειδαριά, φροντίστε απαραίτητα να θέσετε την κλειδαριά εκτός δυνατότητας χρήσης. Αυτό είναι πολύ σημαντικό, για να εμποδιστεί η παγίδευση παιδιών μέσα στη συσκευή, πράγμα που μπορεί να επιφέρει το θάνατό τους.

## Εγκατάσταση

Η συσκευή έχει σχεδιαστεί να λειτουργεί σε θερμοκρασία περιβάλλοντος από  $-15^{\circ}\text{C}$  έως  $+43^{\circ}\text{C}$ . Αν η θερμοκρασία περιβάλλοντος υπερβεί τους  $+43^{\circ}\text{C}$ , η θερμοκρασία στο εσωτερικό της συσκευής μπορεί να αυξηθεί. Εγκαταστήστε τη συσκευή μακριά από οποιαδήποτε πηγή θερμότητας και φωτιάς. Αν την τοποθετήσετε σε ένα θερμό χώρο, η άμεση έκθεσή της σε ακτίνες ηλίου ή κοντά σε

πηγή θερμότητας (θερμαντικά σώματα, κουζίνες, φούρνους), θα αυξήσει την κατανάλωση ενέργειας και θα συντομεύσει τη ζωή του προϊόντος.

• Παρακαλούμε τηρείτε τις ακόλουθες ελάχιστες αποστάσεις:

- 100 cm από κουζίνες που λειτουργούν με κάρβουνο ή πετρέλαιο,
- 150 cm από κουζίνες ρεύματος και αερίου.

• Εξασφαλίστε την ελεύθερη κυκλοφορία του αέρα γύρω από τη συσκευή, τηρώντας τις αποστάσεις που φαίνονται στο σχήμα 2. Τοποθετήστε στο συμπυκνωτήρα (στην πίσω πλευρά) τους αποστάτες που παρέχονται (σχήμα 3).

• Τοποθετήστε τη συσκευή σε εντελώς επίπεδη, ξηρή και καλά αεριζόμενη θέση. Τοποθετήστε τα παρεχόμενα αξεσουάρ.

## Ηλεκτρική σύνδεση

Η συσκευή σας προορίζεται για λειτουργία με μονοφασικό ρεύμα 220-240V/50 Hz. Πριν συνδέσετε τη συσκευή στο ρεύμα, παρακαλούμε βεβαιωθείτε ότι οι παράμετροι της παροχής ρεύματος στο σπίτι σας (τάση, τύπος ρεύματος, συχνότητα) συμφωνούν με τις παραμέτρους λειτουργίας της συσκευής.

• Οι πληροφορίες που αφορούν το ρεύμα τροφοδοσίας και την κατανάλωση ισχύος παρέχονται στην πινακίδα στοιχείων που είναι τοποθετημένη στην πίσω πλευρά του καταψύκτη.

• Η ηλεκτρική εγκατάσταση θα πρέπει να συμμορφώνεται με τις απαιτήσεις του νόμου.

• **Η γείωση της συσκευής είναι υποχρεωτική. Ο κατασκευαστής δεν φέρει ευθύνη για οποιαδήποτε βλάβη σε άτομα, ζώα ή αγαθά η οποία μπορεί να προκύψει από μη τήρηση των συνθηκών των προδιαγραφών.**

• Η συσκευή είναι εξοπλισμένη με καλώδιο ρεύματος και φισ (Ευρωπαϊκού τύπου, με σήμανση 10/16A) με διπλή επαφή γείωσης για λόγους ασφαλείας. Αν η πρίζα δεν είναι του ίδιου τύπου με το φισ, παρακαλούμε ρωτήστε έναν εξειδικευμένο ηλεκτρολόγο για να την αλλάξετε.

• Μη χρησιμοποιείτε προεκτάσεις ή πολύπριζα.

## Απενεργοποίηση

Η απενεργοποίηση πρέπει να είναι δυνατή με αφαίρεση του φιν από την πρίζα ή με ένα διπολικό διακόπτη παροχής ρεύματος τοποθετημένου πριν την πρίζα.

## Λειτουργία

Πριν θέσετε τη συσκευή σε λειτουργία, καθαρίστε το εσωτερικό της συσκευής (βλέπε κεφάλαιο „Καθαρισμός”).

Αφού ολοκληρωθεί αυτή η εργασία, παρακαλούμε συνδέστε τη συσκευή στην πρίζα και ρυθμίστε το κουμπί του θερμοστάτη σε μια μεσαία θέση. Το πράσινο και το κόκκινο LED στο συγκρότημα ενδείξεων πρέπει να ανάβουν. Αφήστε τη συσκευή να λειτουργήσει για 2 ώρες χωρίς να τοποθετήσετε τρόφιμα στο εσωτερικό της. Η κατάψυξη νωπών τροφίμων είναι δυνατή μετά από τουλάχιστον 20 ώρες λειτουργίας.

## Περιγραφή της συσκευής

(σχήμα 1)

1. Λαβή πόρτας
2. Πόρτα
3. Περίβλημα λάμπας
4. Καλάθια
5. Δίσκος
6. Κλειδαριά
7. Κουτί θερμοστάτη
8. Αποστάτης για μεταφορά

## Λειτουργία του καταψύκτη

### Ρύθμιση θερμοκρασίας

Η θερμοκρασία του καταψύκτη ρυθμίζεται με χρήση του κουμπιού που βρίσκεται στο θερμοστάτη (σχήμα 4), όπου η θέση „MAX” αντιστοιχεί στην πιο χαμηλή θερμοκρασία. Οι θερμοκρασίες που επιτυγχάνονται ποικίλλουν ανάλογα με τις συνθήκες χρήσης της συσκευής, όπως: θέση της συσκευής, θερμοκρασία περιβάλλοντος, συχνότητα ανοίγματος της πόρτας, ποσοστό πλήρωσης του καταψύκτη με τρόφιμα. Η θέση του κουμπιού του θερμοστάτη θα αλλάζει ανάλογα με τους παράγοντες αυτούς. Κανονικά για θερμοκρασία περιβάλλοντος περίπου 32°C, ο θερμοστάτης θα είναι ρυθμισμένος σε μια μεσαία θέση.

**Το σύστημα ενδείξεων** βρίσκεται στη μπροστινή πλευρά του καταψύκτη (σχήμα 5). Περιλαμβάνει:

1. Κουμπί ρύθμισης θερμοστάτη – για τη ρύθμιση της εσωτερικής θερμοκρασίας.
2. πράσινο LED – δείχνει ότι η συσκευή τροφοδοτείται με ηλεκτρικό ρεύμα.
3. κόκκινο LED – βλάβη – ανάβει όταν η θερμοκρασία μέσα στον καταψύκτη είναι πολύ υψηλή. Το LED θα είναι αναμμένο για 15-45 λεπτά αφού τεθεί σε λειτουργία ο καταψύκτης και μετά πρέπει να σβήσει. Αν το LED ανάψει κατά την κανονική λειτουργία, αυτό σημαίνει ότι έχει προκύψει βλάβη.
4. Πορτοκαλί λυχνία LED – ενεργοποιημένη λειτουργία ταχείας κατάψυξης – θέτοντας το περιστροφικό κουμπί στη θέση Ταχεία κατάψυξη (Superfreeze), ανάβει η πορτοκαλί λυχνία LED, η οποία δείχνει ότι η συσκευή έχει εισέλθει στη λειτουργία "ταχεία κατάψυξη". Η έξοδος από αυτή τη λειτουργία γίνεται αυτόματα μετά από 50 ώρες και κατόπιν η συσκευή εισέρχεται σε οικονομική λειτουργία και η πορτοκαλί λυχνία LED σβήνει.

Τα τρία LED δίνουν πληροφορίες σχετικά με την κατάσταση λειτουργίας του καταψύκτη.

## Συμβουλές για τη διατήρηση των τροφίμων

Ο καταψύκτης προορίζεται για να διατηρεί τα κατεψυγμένα τρόφιμα για πολύ χρόνο, καθώς και να καταψύχει νωπά τρόφιμα.

Ένα από τα κύρια στοιχεία για επιτυχημένη κατάψυξη των τροφίμων είναι η συσκευασία.

Οι κύριες προϋποθέσεις που πρέπει να εκπληρώνει η συσκευασία είναι οι ακόλουθες: να είναι αεροστεγής, να μην επηρεάζει το συσκευασμένο τρόφιμα, να έχει αντοχή σε χαμηλές θερμοκρασίες, να μην επηρεάζεται από υγρά, λίπη, υδρατμούς, οσμές, να μπορεί να πλυθεί.

Οι προϋποθέσεις αυτές εκπληρώνονται από τους ακόλουθους τύπους συσκευασίας: μεμβράνη από πλαστικό ή αλουμίνιο, πλαστικά και αλουμινένια δοχεία, ποτήρια από χαρτόνι με επικάλυψη κεριού ή πλαστικά.

### **ΣΗΜΑΝΤΙΚΕΣ ΠΑΡΑΤΗΡΗΣΕΙΣ!**

- Για την κατάψυξη νωπών τροφίμων παρακαλούμε χρησιμοποιείτε τα παρεχόμενα καλάθια της συσκευής.

- Μην τοποθετείτε στον καταψύκτη ταυτόχρονα πολύ μεγάλη ποσότητα τροφίμων. Η ποιότητα του φαγητού διατηρείται καλύτερα αν αυτό καταψυχθεί σε χαμηλή θερμοκρασία όσο το δυνατό συντομότερα. Γι' αυτό συνιστούμε να μην υπερβαίνετε την ικανότητα κατάψυξης για τη συσκευή η οποία δίνεται στο "Δελτίο δεδομένων συσκευής".

- Τα νωπά τρόφιμα δεν πρέπει να έρθουν σε επαφή με τα ήδη κατεψυγμένα τρόφιμα.

- Τα κατεψυγμένα τρόφιμα που έχετε αγοράσει μπορούν να τοποθετηθούν στον καταψύκτη χωρίς να χρειάζεται να αλλάξετε ρύθμιση στον καταψύκτη.

- Αν στη συσκευασία δεν αναφέρεται η ημερομηνία κατάψυξης, παρακαλούμε να έχετε υπ' όψη σας, σα γενική οδηγία, μια μέγιστη περίοδο διατήρησης 3 μηνών.

- Τα τρόφιμα, ακόμα και αν αποψυχθούν μερικώς, δεν μπορούν να καταψυχθούν πάλι. Πρέπει να καταναλωθούν άμεσα ή να μαγειρευτούν και μετά να καταψυχθούν πάλι.

- Τα αεριούχα ποτά δεν πρέπει να τοποθετούνται στον καταψύκτη.
- Σε περίπτωση διακοπής ρεύματος, μην ανοίγετε την πόρτα της συσκευής. Τα κατεψυγμένα τρόφιμα δεν θα επηρεαστούν αν η διακοπή κρατήσει λιγότερο από 36 ώρες.

### **Κατάψυξη τροφίμων με τη λειτουργία Ταχεία κατάψυξη (Superfrost)**

- Τοποθετήστε το περιστροφικό κουμπί στη θέση ταχείας κατάψυξης. Ανάβει η λυχνία Ταχείας κατάψυξης.
- Περιμένετε 24 ώρες.
- Τοποθετήστε τα νωπά τρόφιμα στον καταψύκτη. Για να επιτύχετε γρήγορη κατάψυξη, τα τρόφιμα θα πρέπει να είναι σε επαφή με τα εσωτερικά τοιχώματα όταν τοποθετούνται στον καταψύκτη.
- Η λειτουργία Ταχεία κατάψυξη απενεργοποιείται αυτόματα μετά από 50 ώρες.

### **Σημαντικό**

**Όταν τοποθετείτε το περιστροφικό κουμπί στη θέση Ταχεία κατάψυξη (Superfrost), ο συμπιεστής μπορεί να μην ενεργοποιηθεί για λίγα λεπτά. Αυτό οφείλεται στον ενσωματωμένο διακόπτη καθυστέρησης ενεργοποίησης που έχει σχεδιαστεί για να αυξήσει την διάρκεια ζωής της μονάδας ψύξης.**

Δεν πρέπει να ενεργοποιείτε τη λειτουργία Ταχείας κατάψυξης:

- όταν τοποθετείτε κατεψυγμένα τρόφιμα στον καταψύκτη,
- όταν καταψύχετε έως περίπου 2 κιλά νωπά τρόφιμα την ημέρα.

## Απόψυξη της συσκευής

- Σας συμβουλεύουμε να κάνετε απόψυξη στον καταψύκτη τουλάχιστον δύο φορές το χρόνο ή όταν το στρώμα πάγου έχει αποκτήσει υπερβολικό πάχος.
  - Ο σχηματισμός πάγου είναι κανονικό φαινόμενο.
  - Η ποσότητα και η ταχύτητα σχηματισμού του πάγου εξαρτάται από τις συνθήκες περιβάλλοντος και από το πόσο συχνά ανοίγεται η πόρτα.
  - Σας συνιστούμε να κάνετε απόψυξη στη συσκευή όταν η ποσότητα του φαγητού είναι η ελάχιστη.
  - Πριν κάνετε απόψυξη, ρυθμίστε το κουμπί του θερμοστάτη σε εντονότερη ψύξη ώστε τα αποθηκευμένα τρόφιμα να είναι πιο κρύα.
    - Αποσυνδέστε τη συσκευή από το ρεύμα.
    - Βγάλτε τα κατεψυγμένα τρόφιμα, τυλίξτε το σε αρκετά φύλλα χαρτιού και τοποθετήστε τα στο ψυγείο ή σ' ένα κρύο μέρος.
- Πάρτε την επιφάνεια διαχωρισμού και τοποθετήστε τη κάτω από τον καταψύκτη στην κατεύθυνση του σωλήνα αποστράγγισης. Βγάλτε το πώμα. Το νερό που παράγεται θα συλλεχθεί στον ειδικό δίσκο (επιφάνεια διαχωρισμού). Μετά την τήξη του πάγου και το στράγγισμα του νερού, παρακαλούμε σκουπίστε τη συσκευή με ένα πανί ή ένα σφουγγάρι και μετά στεγνώστε τη καλά. Τοποθετήστε το πώμα πίσω στη θέση του. (σχήμα 6)
- Για γρηγορότερη απόψυξη παρακαλούμε αφήστε την πόρτα ανοικτή.

**Μη χρησιμοποιείτε αιχμηρά μεταλλικά αντικείμενα για να απομακρύνετε τον πάγο.**

**Μη χρησιμοποιείτε για την απόψυξη πιστολάκι μαλλιών ή άλλες ηλεκτρικές συσκευές θέρμανσης.**

## Εσωτερικός καθαρισμός

Πριν αρχίσετε τον καθαρισμό, αποσυνδέστε τη συσκευή από το δίκτυο παροχής ρεύματος.

- Συνιστούμε να καθαρίζετε τη συσκευή όταν της κάνετε απόψυξη.
- Πλύνετε το εσωτερικό με χλιαρό νερό όπου έχετε προσθέσει λίγο ουδέτερο

απορρυπαντικό. Μη χρησιμοποιείτε σαπούνι, απορρυπαντικό, βενζίνη ή ασετόν που μπορούν να αφήσουν έντονη οσμή.

- Σκουπίστε με ένα υγρό σφουγγάρι και στεγνώστε με ένα μαλακό πανί.
- Στη διάρκεια αυτής της εργασίας, αποφύγετε τη χρήση υπερβολικής ποσότητας νερού, για να αποφύγετε την είσοδο του στη θερμική μόνωση της συσκευής, πράγμα που θα προκαλούσε δυσάρεστες οσμές.
- Μην ξεχνάτε να καθαρίζετε το λάστιχο στεγανοποίησης της πόρτας, ειδικά τις πτυχωτές νευρώσεις, με ένα καθαρό πανί.

## Εξωτερικός καθαρισμός

- Καθαρίστε το εξωτερικό του καταψύκτη με ένα σφουγγάρι με διάλυμα απορρυπαντικού σε χλιαρό νερό, σκουπίστε το με ένα μαλακό πανί και αφήστε το να στεγνώσει.
  - Ο καθαρισμός του εξωτερικού μέρους του κυκλώματος ψύξης (συμπιεστής, συμπυκνωτήρας, σωλήνες σύνδεσης) θα πρέπει να γίνει με μαλακή βούρτσα ή με ηλεκτρική σκούπα. Κατά τη διάρκεια αυτής της εργασίας, παρακαλούμε φροντίστε να μην παραμορφώσετε τους σωλήνες και να μην αποσυνδέσετε τα καλώδια.
- Μη χρησιμοποιείτε υλικά που χαράζουν ή λειαίνουν!**
- Αφού έχετε τελειώσει τον καθαρισμό, τοποθετήστε πάλι τα αξεσουάρ στις θέσεις τους και συνδέστε τη συσκευή στην πρίζα.

## Αντικατάσταση της εσωτερικής λάμπας

Αν καεί η λάμπα, αποσυνδέστε τη συσκευή από την παροχή ρεύματος. Βγάλτε το κάλυμμα της λάμπας. Βεβαιωθείτε ότι η λάμπα είναι βιδωμένη σωστά. Συνδέστε πάλι τη συσκευή στο ρεύμα. Αν η λάμπα εξακολουθεί να μην ανάβει, αντικαταστήστε τη με άλλη μοντέλου E14-15W. Τοποθετήστε πάλι το κάλυμμα λάμπας στη θέση του.

Ο λαμπτήρας (οι λαμπτήρες) που χρησιμοποιεί αυτή η συσκευή δεν είναι κατάλληλος(-οι) για φωτισμό των οικιακών χώρων. Ο σκοπός αυτού του λαμπτήρα είναι να βοηθά το χρήστη να βρίσκει με ασφάλεια και άνεση τα τρόφιμα στη συντήρηση/κατάψυξη.

Οι λάμπες που χρησιμοποιούνται σε αυτή τη συσκευή πρέπει να είναι ανθεκτικές σε ακραίες φυσικές συνθήκες, όπως θερμοκρασίες κάτω από -20°C.

## Οδηγός ανεύρεσης βλαβών

### Η συσκευή δεν λειτουργεί.

- Υπάρχει διακοπή ρεύματος.
- Το φις του καλωδίου ρεύματος δεν έχει μπει καλά στην πρίζα.
- Έχει καεί η ασφάλεια.
- Ο θερμοστάτης είναι στη θέση απενεργοποίησης „OFF”.

### Οι θερμοκρασίες δεν είναι αρκετά χαμηλές (κόκκινο LED αναμμένο).

- Τα τρόφιμα δεν επιτρέπουν το κλείσιμο της πόρτας.
- Η συσκευή δεν έχει τοποθετηθεί σε σωστή θέση.
- Η συσκευή έχει τοποθετηθεί πολύ κοντά σε πηγή θερμότητας.
- Το κουμπί του θερμοστάτη δεν είναι στη σωστή θέση.

### Υπερβολική συσσώρευση πάγου

- Η πόρτα δεν κλείστηκε κανονικά.

### Δεν λειτουργεί ο εσωτερικός φωτισμός

- Έχει καεί η λάμπα. Αποσυνδέστε τη συσκευή από την πρίζα, βγάλτε τη λάμπα και αντικαταστήστε τη με νέα.

### Τα ακόλουθα δεν αποτελούν βλάβη

- Πιθανοί θόρυβοι και ξεροί ήχοι (κρακ) που προέρχονται από το προϊόν: κυκλοφορία του ψυκτικού μέσου στο σύστημα.

## Θόρυβοι κατά τη λειτουργία

Για να διατηρεί τη θερμοκρασία στη ρυθμισμένη τιμή, ο συμπιεστής της συσκευής ξεκινά περιοδικά τη λειτουργία του.

Οι θόρυβοι που μπορούν να ακουστούν σε μια τέτοια περίπτωση είναι φυσιολογικοί. Οι θόρυβοι μειώνονται όταν η συσκευή φθάσει τη θερμοκρασία λειτουργίας.


Ο βόμβος προέρχεται από το συμπιεστή. Μπορεί να είναι λίγο ισχυρότερος κατά το ξεκίνημα του συμπιεστή.

Οι θόρυβοι φουσαλίδων και γουργουρητού που προέρχονται από το ψυκτικό που κυκλοφορεί στους σωλήνες της συσκευής, είναι κανονικοί θόρυβοι λειτουργίας.

### Προσοχή!

Ποτέ μην προσπαθήσετε να επισκευάσετε μόνοι σας τη συσκευή ή τα ηλεκτρικά της μέρη. Οποιαδήποτε επισκευή γίνει από μη εξουσιοδοτημένο άτομο είναι επικίνδυνη για το χρήστη και μπορεί να έχει σαν αποτέλεσμα την ακύρωση της εγγύησης.



Το σύμβολο  στο προϊόν ή στη συσκευασία του δηλώνει ότι δεν επιτρέπεται να πετάξετε το προϊόν αυτό στα κοινά οικιακά απορρίμματα. Αντίθετα θα πρέπει να παραδοθεί στο αρμόδιο σημείο συλλογής για την ανακύκλωση ηλεκτρικών και ηλεκτρονικών συσκευών. Εξασφαλίζοντας τη σωστή απόρριψη του προϊόντος, θα βοηθήσετε στην πρόληψη ενδεχόμενων αρνητικών συνεπειών για το περιβάλλον και την ανθρώπινη υγεία, που αλλιώς θα μπορούσαν να προκληθούν από ακατάλληλο χειρισμό του προϊόντος αυτού ως αποβλήτου. Αν θέλετε να μάθετε περισσότερες λεπτομέρειες σχετικά με την ανακύκλωση αυτού του προϊόντος, απευθυνθείτε στην τοπική σας δημοτική αρχή, στην υπηρεσία αποκομιδής οικιακών απορριμμάτων ή στο κατάστημα όπου προμηθευτήκατε το προϊόν.





[www.beko.com](http://www.beko.com)

4578333811/AU  
EN-BIH-IT-NL-FR-D-ES-EL