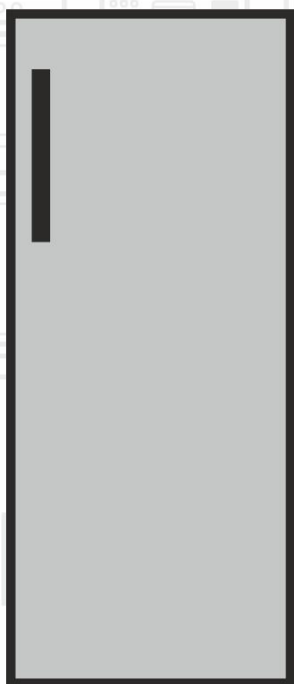


**Upright Freezer
Congélateur Vertical
Gefrierschrank
Staand Diepvriezer
Skríňová Mraznička
Skříňová Mraznička**

Instruction of use
Notice d'utilisation
Gebrauchsanweisung
Gebruiksaanwijzing
Návod na použitie
Pokyny pro používání



RFSA240M33W

ENFRIDINLSKICZ

beko

WARNING!

In order to ensure a normal operation of your refrigerating appliance, which uses a completely environmentally friendly refrigerant the R600a (flammable only under certain conditions) you must observe the following rules:

- Do not hinder the free circulation of the air around the appliance.
- Do not use mechanical devices in order to accelerate the defrosting, others than the ones recommended by the manufacturer.
- Do not destroy the refrigerating circuit.
- Do not use electric appliances inside the food keeping compartment, other than those that might have been recommended by the manufacturer.

AVERTISSEMENT !

Afin de s'assurer du fonctionnement normal de votre réfrigérateur, contenant le réfrigérant R600a qui contribue à la protection de l'environnement (inflammable dans certaines conditions seulement), il convient de respecter les règles suivantes :

- Ne pas empêcher la circulation d'air autour de l'appareil.
- Ne pas utiliser d'outils mécaniques ou autres dispositifs pour accélérer le processus de décongélation autres que ceux qui sont recommandés par le fabricant.
- Ne pas abîmer le circuit réfrigérant.
- Ne pas utiliser d'appareils électriques à l'intérieur des compartiments de conservation de denrées, à moins qu'ils soient conformes au type d'appareils recommandés par le fabricant.

WARNUNG!

Damit Ihr Kühlgerät, das ein vollständig umweltverträgliches Kühlmittel (R600a, nur unter bestimmten Bedingungen entflammbar) nutzt, richtig arbeiten kann, müssen Sie die folgenden Regeln beachten:

- Sorgen Sie für freie Luftzirkulation um das Gerät herum.
- Verwenden Sie keinerlei mechanischen Geräte zum Beschleunigen des Abtauvorgangs. Ausgenommen davon sind Geräte, die vom Hersteller empfohlen werden.
- Beschädigen Sie nicht den Kühlkreislauf.
- Setzen Sie keinerlei Elektrogeräte im Inneren des Kühlgerätes ein. Ausgenommen davon sind Geräte, die vom Hersteller empfohlen werden.

WAARSCHUWING!

U moet de volgende regels in acht nemen om de normale werking van uw koelkast, die het volledig milieuvriendelijke koelmiddel R600a gebruikt, te verzekeren:

- Hinder de vrije luchtcirculatie rond het toestel niet.
- Gebruik geen andere mechanische toestellen om het ontdooien te versnellen dan de toestellen die door de fabrikant worden aangeraden.
- Vernietig het koelcircuit niet.
- Gebruik geen andere elektrische toestellen in de bewaarlade voor etenswaren dan de toestellen die eventueel door de fabrikant worden aangeraden.

VAROVANIE!

Aby sa zabezpečila normálna prevádzka vašej chladničky, ktorá používa úplne ekologicky nezávadné chladivo R600a (horľavé len pri určitých podmienkach), musíte dodržiavať nasledujúce pravidlá:

- Nebráňte voľnej cirkulácii vzduchu okolo spotrebiča.
- Nepoužívajte mechanické prístroje na urýchľovanie rozmrazovacieho procesu, iné ako odporúča výrobca.
- Neporušujte chladiaci okruh.
- Nepoužívajte elektrické spotrebiče vo vnútri pípacieho priestoru potravín, iné ako tie, ktoré odporúča výrobca.

UPOZORNĚNÍ!

Aby byl zajištěn normální provoz vaší chladničky, která používá pro životní prostředí zcela neškodné chladicí médium R600a (vznětlivé pouze za určitých podmínek), musíte dodržet následující pravidla:

- Nebraňte ve volné cirkulaci vzduchu kolem přístroje.
- Nepoužívejte mechanická zařízení pro zrychlení odmražení kromě těch, která jsou doporučena výrobcem.
- Nelikvidujte chladicí okruh.
- Nepoužívejte elektrické spotřebiče uvnitř prostoru pro potraviny kromě těch, která by mohl doporučit výrobce.

EN Index

Safety first /1
 Electrical requirements /2
 Transportation instructions /2
 Installation instructions /2
 Temperature control and adjustment /3
 Before operating /3
 Freezer control panel /4
 Fast freeze function /4
 Storing frozen food /4
 Freezing fresh food /4
 Making ice cubes /5
 Getting to know your appliance /5
 Defrosting /5
 Cleaning and care /5
 Repositioning the door /5
 Do's and don'ts /6
 Troubleshooting /6
 Information about operating noises /7

FR Sommaire

La sécurité d'abord /8
 Conditions électriques /9
 Instructions de transport /9
 Instructions d'installation /9
 Commande de température et réglage /10
 Avant l'utilisation /10
 Bandeau de commande du congélateur /11
 Fonction de congélation rapide /11
 Conservation des denrées surgelées /11
 Congélation des produits frais /12
 Fabrication de glaçons /12
 Apprendre à connaître votre appareil /12
 Dégivrage /12
 Nettoyage et entretien /13
 Repositionnement de la porte /13
 À faire / À éviter /14
 Diagnostic /15
 Informations relatives aux bruits de fonctionnement /15

D Inhaltsverzeichnis

Wichtige Sicherheitshinweise /16
 Elektrischer Anschluss /17
 Transporthinweise /17
 Aufstellen des Gerätes /17
 Temperaturkontrolle und –Einstellung /18
 Vor der Inbetriebnahme /18
 Tiefkühlbereich-Bedienfeld /19
 Schnellgefrierfunktion /19
 Lagerung von Tiefkühlkost /19
 Frische Lebensmittel tiefkühlen /20
 Herstellung von Eiswürfeln /20
 Lernen Sie Ihr neues Gerät kennen /20
 Abtauen /20
 Reinigung und Pflege /21
 Änderung des Türanschlags /21
 Wichtige Hinweise – Bitte beachten! /21
 Problemlösung /22
 Hinweise zum Betriebsgeräusch /22

NL Inhoud

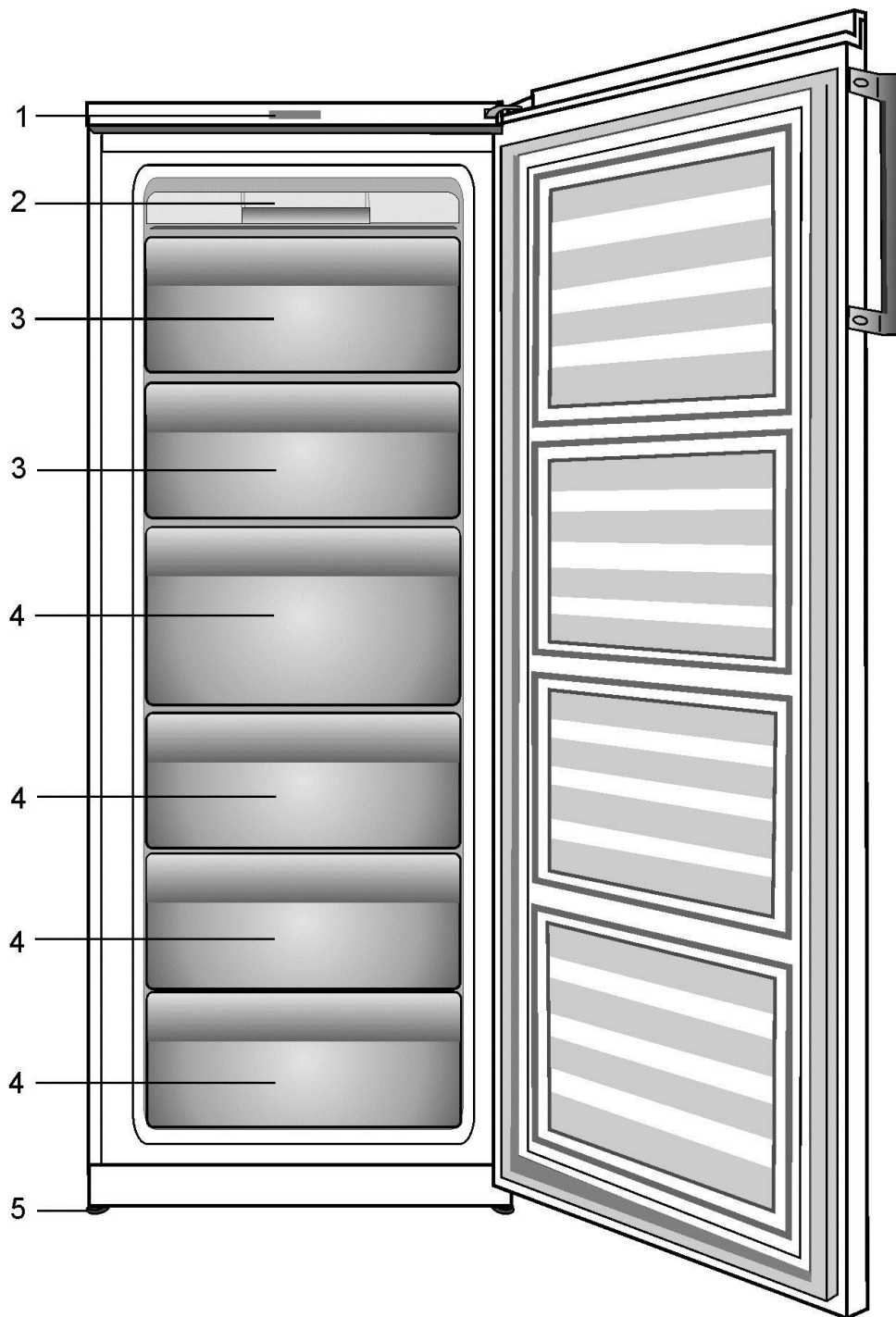
Veiligheid eerst /24
 Elektrische vereisten /25
 Transportinstructies /25
 Installatie-instructies /25
 Opmeting en regeling van de temperatuur /26
 Alvorens de inwerkstelling /26
 Bedieningspaneel diepvriezer /27
 Diepvriesproducten bewaren /27
 Verse etenswaren invriezen /28
 IJsblokjes maken /28
 Uw toestel leren kennen /28
 Ontdooien /28
 Schoonmaak en onderhoud /28
 De deur verplaatsen /29
 Wel en niet /29
 Problemen oplossen /30
 Informatie over de functiegeluiden /30

SK Index

Bezpečnosť nadovšetko /31
 Elektrické požiadavky /32
 Prepravné pokyny /32
 Inštalačné pokyny /32
 Riadenie a nastavenie teploty /33
 Pred uvedením do prevádzky /33
 Prevádzka ovládacieho panela /34
 Funkcia rýchleho zmrazenia /34
 Skladovanie zmrazených potravín /34
 Mrazenie čerstvých potravín /35
 Tvorba kociek ľadu /35
 Poznávanie spotrebiča /35
 Rozmrazovanie /35
 Čistenie a údržba /36
 Premiestňovanie dverí /36
 Čo sa má a čo sa nesmie robiť /36
 Riešenie problémov /37
 Informácie o prevádzkovom hluku /37

CZ Rejstřík

Bezpečnost především /38
 Elektrické požadavky /39
 Pokyny pro transport /39
 Pokyny pro instalaci /39
 Kontrola a nastavení teploty /40
 Před spuštěním /40
 Ovládací panel mrazničky /40
 Funkce rychlého zmrazení /41
 Ukládání zmrazených potravin /41
 Mrazení čerstvých potravin /41
 Tvorba kostek ledu /41
 Seznámení s vaším spotřebičem /41
 Odmrazování /42
 Čištění a péče /42
 Výměna dvířek /42
 Co dělat a co nedělat /43
 Odstraňování potíží /44
 Informace o provozních hlucích /44



1

i Figures that take place in this instruction manual are schematic and may not correspond exactly with your product. If the subject parts are not included in the product you have purchased, then it is valid for other models.

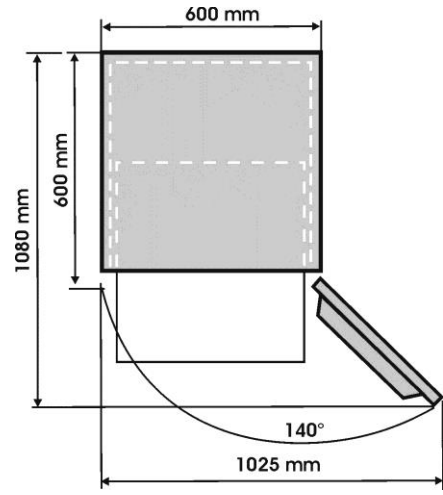
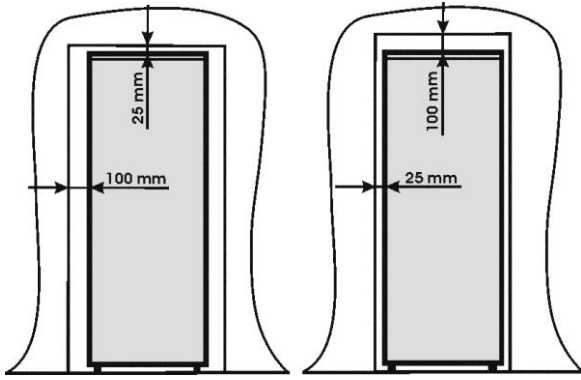
i Les illustrations présentées dans cette notice d'utilisation sont schématiques et peuvent ne pas correspondre exactement à votre produit. Si des pièces présentées ne sont pas comprises dans le produit que vous avez acheté, elles sont valables pour d'autres modèles.

i Abbildungen und Angaben in dieser Anleitung sind schematisch und können etwas von Ihrem Produkt abweichen. Falls Teile nicht zum Lieferumfang des erworbenen Gerätes zählen, gelten sie für andere Modelle.

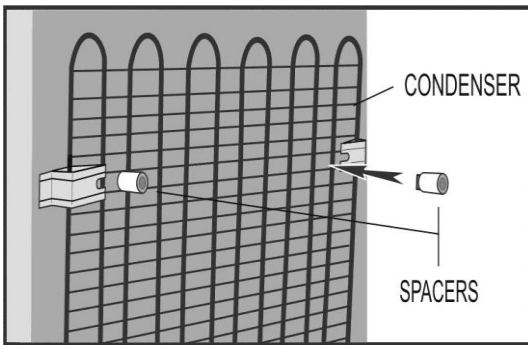
i De afbeeldingen in deze gebruiksaanwijzing zijn schematisch en hoeven niet exact met uw product overeen te komen. Wanneer onderdelen niet tot het product behoren dat u hebt gekocht, gelden deze voor andere modellen.

i Obrázky v tejto príručke k obsluhu sú schematické a nemusia sa presne zhodovať s vaším produktom. Ak produkt, ktorý ste si zakúpili, nedisponuje uvádzanými časťami, potom sa to týka iných modelov.

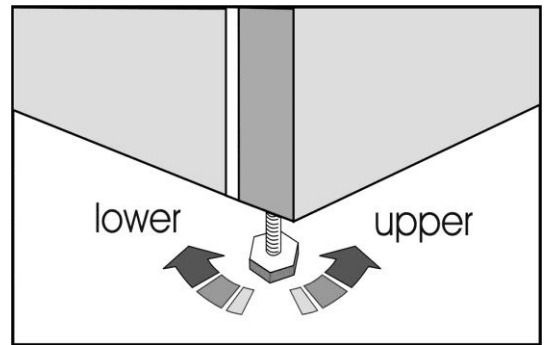
i Sestava uvedená v tomto manuálu k použitiu je pouze schematická a nemusí přesně odpovídat Vašemu produktu. Pokud produkt, který jste nakoupil nezahrnuje určité součásti, ty platí pro jiné modely.



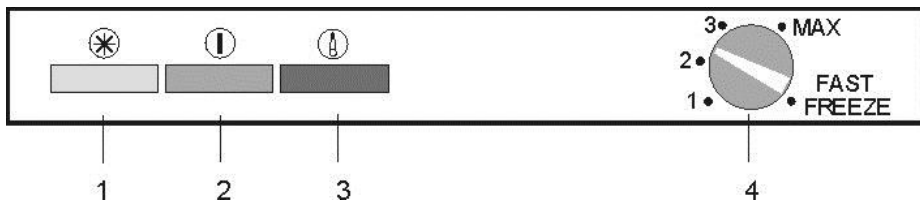
2



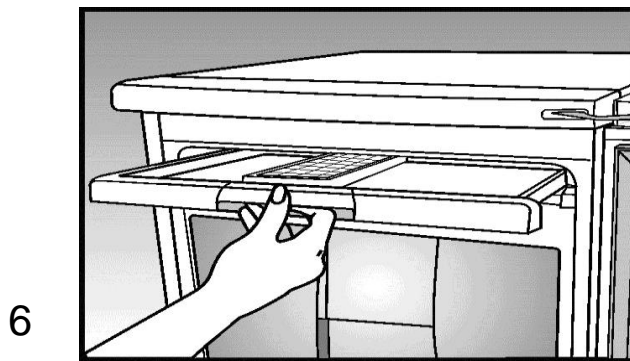
3



4



5



6

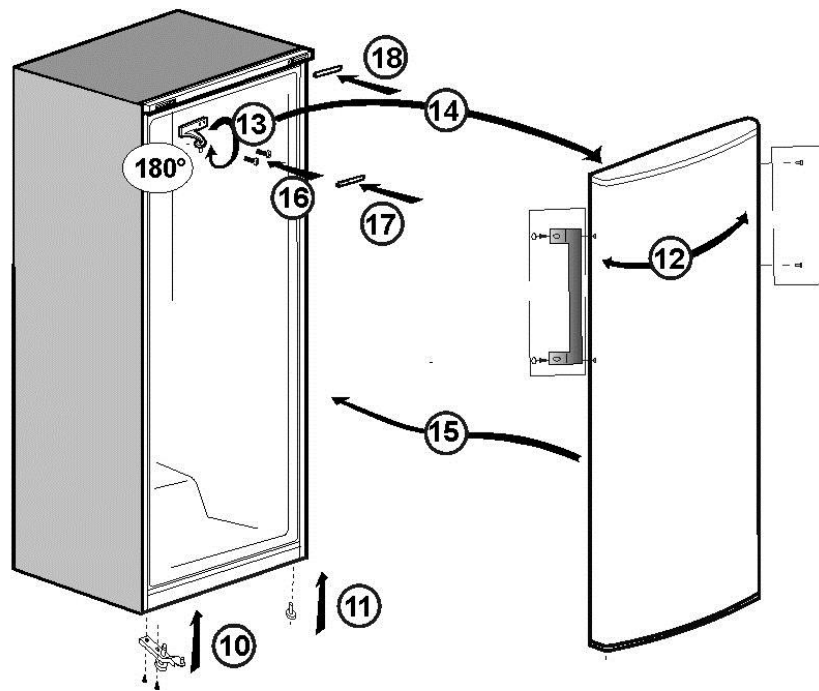
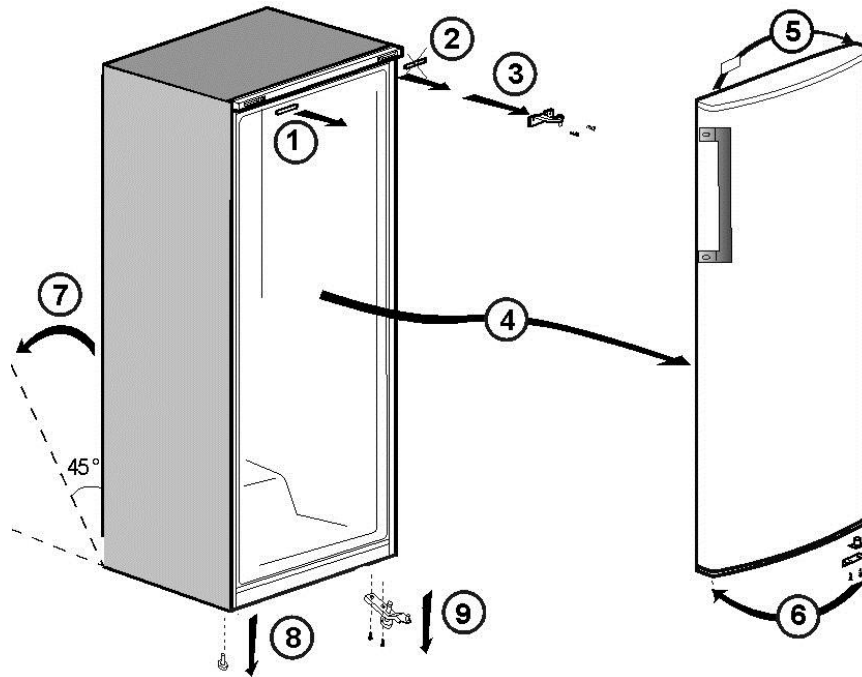
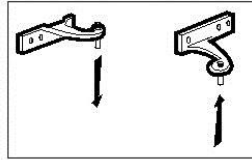


7



8

(13)



Congratulations on your choice of a BEKO Quality Appliance, designed to give you many years of service.

Safety first!

Do not connect your appliance to the electricity supply until all packing and transit protectors have been removed.

- Leave to stand for at least 4 hours before switching on, to allow compressor oil to settle, if transported horizontally.
- If you are discarding an old appliance with a lock or latch fitted to the door, ensure that it is left in a safe condition to prevent the entrapment of children.
- This appliance must only be used for its intended purpose.
- Do not dispose of the appliance on a fire. Your appliance contains non CFC substances in the insulation which are flammable. We suggest you contact your local authority for information on disposal and available facilities.
- We do not recommend use of this appliance in an unheated, cold room. (e.g. garage, conservatory, annex, shed, out-house etc.)

To obtain the best possible performance and trouble free operation from your appliance it is very important to read these instructions carefully. Failure to observe these instructions may invalidate your right to free service during the guarantee period.

Please keep these instructions in a safe place for easy reference.

Original Spare parts will be provided for 10 years, following the product purchasing date.

**This appliance is not intended for use by person with reduced physical, sensory or mental capabilities or lack of experience and knowledge unless they have been given supervision or instruction concerning use of the appliance by a person responsible for their safety.
Children should be supervised to ensure that they do not play with the appliance.**

Electrical requirements

Before inserting the plug into the wall socket make sure that the voltage and the frequency shown in the rating plate inside the appliance corresponds to your electricity supply.

We recommend that this appliance is connected to the mains supply via a suitably switched and fused socket in a readily accessible position.

The plug has to be accessible after installation in order to allow disconnection of the appliance from the supply after installation.

Warning! This appliance must be earthed.

Repairs to the electrical equipment may only be made by qualified experts. If the power cable is damaged, the manufacturer or customer service must replace it in order to avoid danger.

ATTENTION!

This appliance operates with R 600a which is an environmental friendly but flammable gas. During the transportation and fixing of the product, care must be taken not to damage the cooling system. If the cooling system is damaged and there is a gas leakage from the system, keep the product away from open flame sources and ventilate the room for a while.

WARNING - Do not use mechanical devices or other means to accelerate the defrosting process, others than those recommended by the manufacturer.

WARNING - Do not damage the refrigerant circuit.

WARNING - Do not use electrical appliances inside the food storage compartments of the appliance, unless they are of the type recommended by the manufacturer.

WARNING - If the supply cord is damaged, it must be replaced by the manufacturer, its service agent or similarly qualified persons in order to avoid a hazard.

Transportation instructions

1. The appliance should be transported only in an upright position. The packing as supplied must be intact during transportation.
2. If during the transport the appliance, has been positioned horizontally, it must not be

operated for at least 4 hours, to allow the system to settle.

3. Failure to comply with the above instructions could result in damage to the appliance, for which the manufacturer will not be held liable.

4. The appliance must be protected against rain, moisture and other atmospheric influences.

Important!

- Care must be taken while cleaning/carrying the appliance not to touch the bottom of the condenser metal wires at the back of the appliance, as this could cause injury to fingers and hands.
- Do not attempt to sit or stand on top of your appliance as it is not designed for such use. You could injure yourself or damage the appliance.
- Make sure that the mains cable is not caught under the appliance during and after moving, as this could damage the cable.
- Do not allow children to play with the appliance or tamper with the controls.

Installation instructions

1. Do not keep your appliance in a room where the temperature is likely to fall below -15 degrees C (5 degrees F) at night and/or especially in winter, as it is designed to operate in ambient temperatures between -15 and +43 degrees C (5 and 109 degrees F). At lower temperatures the appliance may not operate, resulting in a reduction in the storage life of the food.

2. Do not place the appliance near cookers or radiators or in direct sunlight, as this will cause extra strain on the appliance's functions. If installed next to a source of heat or freezer, maintain the following minimum side clearances:

From Cookers 30 mm

From Radiators 300 mm

From Freezers 25 mm

3. Make sure that sufficient room is provided around the appliance to ensure free air circulation (**Item 2**).

- Put the back airing lid to the back of your refrigerator to set the distance between the refrigerator and the wall (**Item 3**).

4. The appliance should be positioned on a smooth surface. The two front feet can be adjusted as required. To ensure that your appliance is standing upright adjust the two front feet by turning clockwise or anti-clockwise, until firm contact is secured with the floor. Correct adjustment of feet prevents excessive vibration and noise (**Item 4**).
5. Refer to "Cleaning and Care" section to prepare your appliance for use.

Temperature control and adjustment

The freezer temperature is influenced by the freezer temperature set button (**recommended are 2 or 3 position**).

Generally, this temperature is below -18°C . Lower temperatures can be obtained by adjusting the thermostat knob towards position MAX.

We recommend checking the temperature with a thermometer to ensure that the storage compartments are kept to the desired temperature. Remember to take the reading immediately since the thermometer temperature will rise very rapidly after you remove it from the freezer.

Please remember that each time the door is opened cold air escapes and the internal temperature rises. Therefore never leave the door open and ensure it is closed immediately after food is put in or removed.

Before operating

Final Check

Before you start using the freezer check that:

1. The feet have been adjusted for perfect levelling.
2. The interior is dry and air can circulate freely at the rear.
3. The interior is clean as recommended under "CLEANING AND CARE."
4. The plug is inserted into the wall socket and the electricity supply is switched on. Avoid accidental disconnection by taping over the switch.

And note that:

5. You will hear a noise as the compressor starts up. The liquid and gases sealed within the refrigeration system may also make some noise, whether the compressor is running or not. This is quite normal.

6. To freeze the fresh foods use the compartment marked with 4 stars (recommended second shelf).

7. Don't put in freezer a too big quantity of foods in the same time. The foods quality is well kept if they are deeply frozen in the shortest time possible. Therefore it is preferable do not exceed the freezing capacity of the appliance shown in "Appliance record". The thermostat knob shall be adjusted in order to obtain the lowest temperature inside the freezer, with the fast freeze function activated and the orange lamp lighting.

8. Do not load the appliance immediately it is switched on. Wait until the correct storage temperature has been reached. We recommend that you check the temperature with an accurate thermometer (see; Temperature Control and Adjustment).

Important Note:

If there is a power failure do not open the door. Frozen food should not be affected if the failure lasts for less than 19 hours. If the failure is longer, then the food should be checked and either eaten immediately or cooked and then re-frozen.

Freezer control panel

Item 5

The control panel adjusts the temperature in the freezer and has the following functions:

1 - Orange led - Fast freeze on

When you turn the freezer temperature set button (4) to the „FAST FREEZE” position, the orange led (1) will lit and the appliance will run in lowest temperature conditions. The orange LED stops to lit after 50 hours of running in lowest temperature conditions.

2 - Green led - electricity on (Voltage)

Lights when the appliance is connected to the network and remains lit as long as it is available power supply. LED green does not provide information on temperature inside the freezer.

3 - Red Led - High Temperature Alarm

4 - Setting temperature button

High temperature alarm

After the appliance is turned on for the first time the alarm is not active for 12 hours (red led is off).

After this period, red led can lights (red led is on) in the following cases:

- If the appliance is overloaded with fresh food
- If the door is left open by mistake.

In these cases the red led will remain lit until the appliance reached the preset temperature. If the red led is on wait for 24 hours before to announce the authorized service.

Important:

The temperatures obtained inside can vary according to the conditions of use of the appliance: location, ambient temperature, frequency of door opening, degree of loading with food. The temperature setting will be modified according to these conditions.

If the red led is on wait for 24 hours before to announce the authorized service.

It could be the warm food placed inside the freezer and/or the door who was left open. In 24 hrs of functioning the allarm for hight temperature (red led) it should be off.

Fast freeze function

To activate FAST FREEZING function, please adjust the temperature setting knob to „FAST FREEZE” position. It is advised that you place the foodstuffs that you wish to freeze faster in the freezer compartment 24 hours after you activate fast freezing function. While fast freezing is activated, your refrigerator runs at lowest temperature setting for freezer. Fast freeze function lasts for 50 hours. After terminated, your refrigerator reverts to normal use conditions with a temperature setting of 3 even though the knob is still employed at „FAST FREEZE” position. This ecodesign feature provides energy saving when fast freezing function is not cancelled for any reason. Freezing capacity of your refrigerator is measured and declared while fast freezing function is active.

Storing frozen food

Your freezer is suitable for the long-term storage of commercially frozen foods and also can be used to freeze and store fresh food. If there is a power failure, do not open the door. Frozen food should not be affected if the failure lasts for less than 19 hrs. If the failure is longer, then the food should be checked and either eaten immediately or cooked and then re-frozen.

Freezing fresh food

Please observe the following instructions to obtain the best results.

Do not freeze too large a quantity at any one time. The quality of the food is best preserved when it is frozen right through to the core as quickly as possible.

If large amounts of fresh food are going to be frozen, adjust the control knob to „FAST FREEZE” position with 24 hours before putting the fresh food in the fast freeze compartment. It is strongly recommended to keep the knob at „FAST FREEZE” position at least 24 hours to freeze maximum amount of fresh food declared as freezing capacity. Take special care not to mix frozen food and fresh food.

Small quantities of food up to 1/2 kg. (1 lb) can be frozen without fast freezer function. Take special care not to mix already frozen food and fresh food.

Making ice cubes

(Item 6)

Fill the ice - cube tray 3/4 full with water and place it in the freezer. Loosen frozen trays with a spoon handle or a similar implement; never use sharp-edged objects such as knives or forks.

Getting to know your appliance

(Item 1)

- 1 - Control panel, display and adjustment
- 2 - Ice tray support and ice tray
- 3 - Compartment for quickly freezing
- 4 - Compartments for frozen foods keeping
- 5 - Adjustable front feet

Defrosting

Please defrost the freezer compartment at least twice a year or when the ice layer is too thick.

- Ice build-up is a normal phenomenon.
- The ice build-up, especially in the upper side of the compartment is a natural phenomenon and does not affect the good functioning of the appliance.
- It is recommended to defrost the appliance when the quantity of frozen food is not too big.
- Before the defrosting set the adjusting thermostat button on the maximum position in order to strongly freeze the foods. During this time, the temperature in the refrigerator must not be too low.
 - Unplug the appliance
 - Take out the frozen foods, pack them in several paper sheets and put them in a cool place.
 - Let the door open for a quick defrosting and put inside vessels with warm water (max.80°C).

Do not use pointed or sharp-edged objects such as knives or forks to remove the frost. Never use hairdryers, electrical heaters or other such electrical appliances for defrosting. When defrosting has finished, close the defrosting part and dry the interior thoroughly **(Item 7 & 8)**.

Cleaning and care

1. We recommend that you switch off the appliance at the socket outlet and pull out the mains plug before cleaning.
2. Never use any sharp instruments or abrasive substances, soap, household cleaner, detergent or wax polish for cleaning.
3. Use luke warm water to clean the cabinet of the appliance and wipe it dry.
4. Use a damp cloth wrung out in a solution of one teaspoon of bicarbonate of soda to one pint of water to clean the interior and wipe it dry.
5. If the appliance is not going to be used for a long period of time, switch it off, remove all food, clean it and leave the door ajar.
6. We recommend that you polish the metal parts of the product (i.e. door exterior, cabinet sides) with a silicone wax (car polish) to protect the high quality paint finish.
7. Any dust that gathers on the condenser, which is located at the back of the appliance, should be removed once a year with a vacuum cleaner.
8. Check door seals regularly to ensure they are clean and free from food particles.
9. Never:
 - Clean the appliance with unsuitable material; eg petroleum based products.
 - Subject it to high temperatures in any way,
 - Scour, rub etc., with abrasive material.
10. Excess deposit of ice should be removed regularly. Large accumulation of ice will impair the performance of the freezer.
11. To remove a drawer, pull it as far as possible, tilt it upwards and then pull it out completely.

Repositioning the door

Proceed in numerical order **(Item 9)**.

Do's and don'ts

- Do-** Check contents of the freezer at regular intervals.
- Do-** Clean and defrost your appliance regularly (See "Defrosting")
- Do-** Keep food for as short a time as possible and adhere to "Best Before" and "Use By" dates.
- Do-** Store commercially frozen food in accordance with the instructions given on the packets.
- Do-** Always choose high quality fresh food and be sure it is thoroughly clean before you freeze it.
- Do-** Prepare fresh food for freezing in small portions to ensure rapid freezing.
- Do-** Wrap frozen food immediately after purchasing and put it in to the freezer as soon as possible.
- Do-** Separate food in the compartments and complete the contents card. This will enable you to find food quickly and avoid excessive door opening, which will save electricity.
- Don't-** Leave the door open for long periods, as this will make the appliance more costly to run and cause excessive ice formation.
- Don't-** Use sharp edged objects such as knives or forks to remove the ice.
- Don't-** Put hot food into the appliance. Let it cool down first.
- Don't-** Put liquid-filled bottles or sealed cans containing carbonated liquids into the freezer, as they may burst.
- Don't-** Store poisonous or any dangerous substances in your appliance. It has been designed for the storage of edible foodstuffs only.
- Don't-** Exceed the maximum freezing loads when freezing fresh food.
- Don't-** Consume ice-cream and water ices direct from the freezer. The low temperature may cause 'freezer burns' on lips.
- Don't-** Freeze fizzy drinks.
- Don't-** Try to keep frozen food which has thawed; it should be eaten within 24 hours or cooked and refrozen.
- Don't-** Remove items from the freezer with wet hands.
- Don't-** Close the door before replacing the fast-freeze compartment cover.

Troubleshooting

If the appliance does not operate when switched on, check;

- That the plug is inserted properly in the socket and that the power supply is on. (To check the power supply to the socket, plug in another appliance)
- Whether the fuse has blown/circuit breaker has tripped/main distribution switch has been turned off.
- That the temperature control has been set correctly.
- That the new plug is wired correctly, if you have changed the fitted, moulded plug.

If the appliance is still not operating at all after above checks, contact the dealer from whom you purchased the unit.

Please ensure that above checks have been done, as a charge will be made if no fault is found.

Information about operating noises

To keep the selected temperature constant, your appliance occasionally switches ON the compressor.

The resulting noises are quite normal.

As soon as the appliance has reached the operating temperature, the noises automatically reduce in volume.

The humming noise is emitted by the motor (compressor). When the motor switches ON, the noise may briefly increase in volume.

The bubbling, gurgling or whirring noise is emitted by the refrigerant as it flows through the pipes.

The clicking noise can always be heard when the thermostat switches ON/OFF the motor.

A clicking noise may occur when

- the automatic defrosting system is active.
- the appliance is cooling down or warming up (material expansion).

If these noises are excessively loud, the causes are probably not serious and are usually very easy to eliminate.

The appliance is not level

Use the height-adjustable feet or place packing under the feet.

The appliance is not free-standing

Please move the appliance away from kitchen units or other appliances.

Shelves are loose or stick


Please check the detachable components and, if required, refit them.

Warning!

Do not attempt at any time to repair the appliance or its electric components yourself.

Any repair done by an unskilled person is dangerous for the user and can lead to warranty loss.



The symbol  on the product or on packaging indicates that this product may not be treated as household waste. Instead it shall be handed over to the applicable collection point for the recycling of electrical and electronic equipment. By ensuring this product is disposed of correctly, you will help prevent potential negative consequences for the environment and human health, which could otherwise be otherwise be caused by inappropriate waste handling of this product. For more detailed information about recycling of this product, please contact your local city office, your household waste disposal service or the shop where you purchased the product.

Nous vous félicitons d'avoir choisi un Appareil de qualité BEKO conçu pour vous offrir de nombreuses années de service.

La sécurité d'abord !

Ne connectez pas votre appareil à l'alimentation électrique avant d'avoir enlevé tous les emballages et protections de transport.

- Attendez au moins 4 heures avant de le brancher pour que l'huile du compresseur se stabilise s'il a été transporté couché.
- Si vous vous débarrassez d'un vieil appareil à ressort ou loquet intégré à la porte, prenez soin de le rendre hors de danger pour éviter que les enfants ne s'enferment à l'intérieur.
- L'utilisation de cet appareil s'applique uniquement à l'usage prévu.
- Ne vous débarrassez pas de l'appareil dans un feu. L'isolation de votre appareil contient des substances non CFC qui sont inflammables. Veuillez contacter les autorités locales pour obtenir des renseignements concernant la mise au rebut et les endroits existants.
- L'utilisation de cet appareil dans une pièce froide, non chauffée n'est pas recommandée. (garage, jardin d'hiver, annexe, abri, remise, etc.)

Afin d'obtenir le meilleur résultat possible et un fonctionnement sans encombres de votre appareil, veuillez lire ces instructions attentivement. Le non-respect de ces instructions pourrait annuler votre droit à l'assistance sans frais pendant la période de garantie.

Veuillez conserver ces instructions soigneusement à titre de référence pratique.

Les pièces détachées d'origine sont disponibles pendant 10 ans, à compter de la date d'achat du produit.

Cet appareil ne sera pas utilisé par des personnes ayant capacités physiques, sensorielles ou mentales réduites, ou sans expérience concernant l'utilisation de l'appareil, si une personne responsable de leur sécurité ne les a pas instruites pour ce but.

Les enfants doivent être surveillés pour avoir la certitude qu'ils ne jouent pas avec l'appareil.

Conditions électriques

Avant de brancher l'appareil à la prise murale, vérifiez que la tension et la fréquence indiquées sur la plaque signalétique à l'intérieur de l'appareil correspondent à votre alimentation électrique.

Nous recommandons de connecter cet appareil au réseau électrique par le biais d'une prise dotée d'un commutateur et d'un fusible et placée de façon à être facile d'accès.

La prise doit être accessible après l'installation afin de permettre le débranchement de l'appareil du secteur.

Avertissement ! Cet appareil doit être branché à une borne de mise à la terre.

Les réparations de l'appareillage électrique doivent être réalisées par des techniciens qualifiés. Si le câble d'alimentation est endommagé, il doit être remplacé par le constructeur ou le service clientèle afin d'écartier tout danger.

ATTENTION !

Cet appareil fonctionne avec du R 600a, un gaz qui contribue à la protection de l'environnement mais qui est inflammable. Pendant le transport et l'installation du produit, veillez à ne pas endommager le système réfrigérant. Si le système réfrigérant est abîmé et qu'une fuite de gaz se produit, tenez l'appareil à l'écart des sources de flammes vives et aérer bien la pièce.

AVERTISSEMENT - N'utilisez pas d'outils mécaniques ou autres moyens pour accélérer le processus de décongélation autres que ceux qui sont recommandés par le fabricant.

AVERTISSEMENT- N'abîmez pas le circuit réfrigérant.

AVERTISSEMENT- Ne faites pas fonctionner d'appareils électriques à l'intérieur des compartiments de conservation de denrées, à moins qu'ils soient conformes au type d'appareils recommandés par le fabricant.

AVERTISSEMENT- Si le cordon d'alimentation est endommagé, celui-ci doit être remplacé par le fabricant, ses agents agréés ou tout autre agent qualifié afin d'être à l'abri de tout danger.

Instructions de transport

1. L'appareil doit être transporté en position debout uniquement. L'emballage fourni doit rester intact pendant le transport.
2. Si l'appareil a été couché pendant le transport, il ne doit pas être mis en service pendant au moins 4 heures pour permettre au système de se stabiliser.
3. Le non-respect des instructions ci-dessus pourrait endommager l'appareil et ne saurait engager la responsabilité du fabricant.
4. L'appareil doit être protégé contre la pluie, l'humidité et autres conditions atmosphériques.

Important !

- Lors du nettoyage/déplacement de l'appareil, prenez soin de ne pas toucher les câbles métalliques du condenseur au dos de l'appareil, cela pouvant occasionner des blessures aux doigts et aux mains.
- N'essayez pas de vous asseoir ou de vous monter sur l'appareil, celui-ci n'étant pas prévu à cet effet. Vous pourriez vous blesser ou endommager l'appareil.
- Assurez-vous que le câble d'alimentation ne soit pas coincé sous l'appareil pendant et après son déplacement car cela pourrait endommager le câble.
- Veillez à ce que les enfants ne jouent pas avec l'appareil et ne touchent pas aux commandes.

Instructions d'installation

1. N'installez pas votre appareil dans une pièce dont la température peut descendre en dessous de -15 degrés Celsius (5 degrés Fahrenheit) la nuit et/ou particulièrement en hiver. En effet, il est conçu pour fonctionner à des températures ambiantes comprises entre -15 et +43 degrés Celsius (5 et 109 degrés Fahrenheit). En cas de températures inférieures, l'appareil peut ne pas fonctionner correctement et réduire ainsi la durée de conservation des denrées.
2. Ne placez pas l'appareil à proximité de cuisinières, radiateurs ou à la lumière directe du soleil, car cela entraînerait un effort supplémentaire des fonctions de l'appareil.

S'il est installé à côté d'une source de chaleur ou d'un congélateur, respectez les dégagements latéraux minimum suivants :

des Cuisinières 30 mm

des Radiateurs 300 mm

des Congélateurs 25 mm

3. Assurez-vous de laisser suffisamment d'espace autour de l'appareil pour que l'air puisse circuler librement (**figure 2**).

• Placez la grille d'aération au dos de votre réfrigérateur pour établir la distance nécessaire entre le réfrigérateur et le mur (**figure 3**).

4. L'appareil doit être posé sur une surface lisse. Les deux pieds avant peuvent se régler si nécessaire. Pour s'assurer que votre appareil est à niveau, ajustez les deux pieds avant en tournant dans le sens des aiguilles d'une montre ou dans le sens inverse jusqu'à ce que l'appareil soit bien calé au sol. Le réglage approprié des pieds évite les vibrations excessives et le bruit (**figure 4**).

5. Référez-vous à la section « Nettoyage et Entretien » pour préparer votre appareil à l'emploi.

Commande de température et réglage

La température du congélateur dépend de la position du bouton de réglage de la température du congélateur (**il est recommandé de le placer sur 2 ou 3**).

Généralement, cette température est inférieure à -18°C. Vous pouvez obtenir des températures plus basses en ajustant la commande du thermostat dans la direction de la Position MAX.

Nous vous conseillons de vérifier la température avec un thermomètre pour s'assurer que les compartiments de conservation soient maintenus à la température souhaitée. Pensez à lire la température sur le thermomètre immédiatement comme elle montera très rapidement après l'avoir sorti du congélateur. Veuillez vous rappeler que l'air froid s'échappe et la température interne monte à chaque ouverture de la porte. Ne laissez donc jamais la porte ouverte et assurez-vous de la fermer immédiatement après avoir introduit ou sorti des denrées.

Avant l'utilisation

Vérification finale

Avant de commencer à utiliser le congélateur, vérifiez que :

1. Les pieds ont été ajustés et sont parfaitement à niveau.

2. L'intérieur est sec et l'air peut circuler librement derrière l'appareil.

3. L'intérieur est propre comme l'indique la section « NETTOYAGE ET ENTRETIEN ».

4. La prise de l'appareil est branchée à la prise murale et le courant passe. Évitez une coupure accidentelle en collant du ruban adhésif sur la prise.

Et notez que :

5. Vous remarquerez un bruit lorsque le compresseur se met en marche. Le liquide et les gaz intégrés au système du réfrigérateur peuvent également faire du bruit, que le compresseur soit en marche ou non. Ceci est tout à fait normal.

6. Pour congeler les produits frais, utilisez le compartiment indiqué par 4 étoiles (il est recommandé de le placer sur le second tiroir).

7. N'introduisez pas une trop grande quantité de denrées dans le congélateur à la fois. La qualité des denrées est bien préservée si elles sont entièrement congelées aussi rapidement que possible. Il est donc conseillé de ne pas dépasser le pouvoir de congélation de l'appareil indiqué sur la plaque signalétique. Le thermostat doit être réglé de façon à obtenir la température la plus basse dans le congélateur, le bouton de congélation rapide doit être activé et le témoin jaune doit clignoter.

8. Ne remplissez pas l'appareil immédiatement après l'avoir branché. Attendez que la bonne température de conservation soit atteinte. Nous vous conseillons de vérifier la température à l'aide d'un thermomètre précis (voir Commande de Température et Réglage).

Remarque importante :

En cas de panne de courant, n'ouvrez pas la porte. Les denrées surgelées ne devraient pas s'abîmer si la coupure dure moins de 19 heures. Si la panne dure plus longtemps, inspectez les denrées et mangez-les immédiatement ou bien faites-les cuire puis congélez-les à nouveau.

Bandeau de commande du congélateur**Figure 5**

Le bandeau de commande contrôle la température du congélateur et dispose des fonctions suivantes :

1 - LED orange - Congélation rapide active

Lorsque vous tournez la molette de réglage de la température du congélateur en position "CONGÉLATION RAPIDE" (bouton 4), le LED orange (1) s'éclairera et l'appareil fonctionnera avec la température la plus basse. Le LED s'éteindra après 50 heures de fonctionnement de l'appareil en mode basse température.

2 - LED verte - alimentation (tension)

S'allume lorsque l'appareil est connecté au secteur et reste allumé tant qu'il est alimenté en électricité. La LED verte ne fournit aucune information sur la température à l'intérieur du congélateur.

3 - LED rouge - Alarme de température élevée**4 - Bouton de réglage de fonctionnement****Alarme de température élevée**

Lorsque l'appareil a été allumé pour la première fois, l'alarme n'est pas active pendant 12 heures (la LED rouge est éteinte). Après cette période, la LED rouge peut s'allumer dans les cas suivants :

- Si l'appareil est surchargé de produits frais.
- Si la porte a été laissée ouverte par mégarde.

Dans ces cas, la LED rouge restera allumée jusqu'à ce que l'appareil atteigne la température prédéfinie.

Si la LED rouge est allumée, attendez 24 heures avant de contacter le service après vente agréé.

Important :

Les températures obtenues peuvent varier selon les conditions d'utilisation de l'appareil : emplacement, température ambiante, fréquence d'ouverture de la porte, quantité de denrées introduites. Le réglage de la température sera modifié en fonction de ces conditions.

Si la LED rouge est allumée, attendez 24 heures avant de contacter le service après vente agréé.

Des aliments chauds ont pu être introduits dans le congélateur et/ou la porte a été laissée ouverte.

Au bout de 24 heures, le voyant d'alerte de haute température (LED rouge) devrait s'éteindre.

Fonction de congélation rapide

Pour activer la fonction CONGÉLATION RAPIDE, veuillez positionner la molette de réglage de la température sur le mode "CONGÉLATION RAPIDE". Il est conseillé de ranger les aliments dont vous souhaitez une congélation rapide dans le compartiment de votre congélateur, 24 heures après que la fonction congélation rapide ait été activée. Aussi longtemps que la fonction congélation rapide est activée, votre réfrigérateur fonctionnera en mode température minimum pour le congélateur. La fonction congélation rapide dure 50 heures maximum. Une fois le processus achevé, votre réfrigérateur fonctionnera à nouveau sur un mode normal, avec un réglage de la température sur 3, et ce, même si la molette est toujours positionnée sur "CONGÉLATION RAPIDE". Cette approche d'écoconception a l'avantage d'économiser de l'énergie, au cas où vous omettriez de désactiver la fonction de congélation rapide. La capacité de congélation de votre réfrigérateur est mesurée et déclarée lorsque la fonction de congélation rapide est active.

Conservation des denrées surgelées

Votre congélateur est destiné à la conservation à long terme d'aliments surgelés du commerce et peut servir également à congeler et conserver des produits frais. En cas de panne de courant, n'ouvrez pas la porte. Les denrées surgelées ne devraient pas s'abîmer si la coupure dure moins de 19 heures. Si la coupure est plus longue, inspectez les denrées et mangez-les immédiatement ou bien faites-les cuire puis congeler-les à nouveau.

Congeler les produits frais

Veuillez respecter les instructions suivantes afin d'obtenir les meilleurs résultats. Ne congelez pas une quantité trop importante à la fois. La qualité des aliments est préservée de façon optimale lorsqu'ils sont entièrement congelés aussi rapidement que possible.

Si vous vous apprêtez à congeler de grandes quantités de produits frais, positionnez le bouton de réglage sur le mode CONGÉLATION RAPIDE, 24 heures avant de ranger les produits frais dans le compartiment de congélation rapide.

Nous vous recommandons fortement de laisser la touche de congélation sur la position CONGÉLATION RAPIDE pendant au moins 24 heures pour congeler un volume maximal de produits frais correspondant au pouvoir de congélation stipulé. Faites très attention de ne pas mélanger les produits congelés avec les produits frais.

De petites quantités de nourriture ne dépassant pas 0,5 kg (1 lb) peuvent être congelées sans la fonction de congélation rapide.

Faites particulièrement attention à ne pas mélanger les produits déjà congelés et les produits frais.

Fabrication de glaçons (Figure 6)

Remplissez les bacs à glaçons d'eau jusqu'aux $\frac{3}{4}$ et introduisez les dans le congélateur. Dégagez les bacs à glaçons à l'aide du manche d'une cuillère ou outil similaire, n'utilisez jamais d'objets tranchants tels que des couteaux ou fourchettes.

Apprendre à connaître votre appareil (Figure 1)

- 1 - Bandeau de commande, affichage et réglage
- 2 - Bac à glaçons et support
- 3 - Compartiment de congélation rapide
- 4 - Compartiment de conservation des denrées surgelées
- 5 - Pieds avant réglables

Dégivrage

Veillez dégivrer le compartiment congélateur au moins deux fois par an ou lorsque la couche de glace est trop épaisse.

- La formation de glace est un phénomène normal.
- La formation de glace, notamment dans le compartiment supérieur, est normale et n'affecte pas le fonctionnement de l'appareil.
- Il est conseillé de dégivrer l'appareil lorsque la quantité de denrées surgelées n'est pas trop importante.
- Avant de procéder au dégivrage, réglez la commande du thermostat sur la position maximale de façon à bien congeler les denrées. Au cours de cette période, la température dans le réfrigérateur ne doit pas être trop basse.
 - Débranchez l'appareil
 - Sortez les denrées surgelées, enveloppez-les dans plusieurs feuilles de papier et mettez-les dans un endroit frais.
 - Laissez la porte ouverte pour accélérer le dégivrage et introduisez des récipients d'eau chaude (80°C maximum).

N'utilisez pas d'objets pointus ou tranchants tels que couteaux ou fourchettes pour enlever le givre.

N'utilisez jamais de sèche-cheveux, radiateurs électriques ou autres appareils électriques similaires pour dégivrer.

Une fois le dégivrage terminé, séchez soigneusement l'intérieur

(Figure 7 et 8).

Nettoyage et entretien

1. Avant de procéder au nettoyage, veuillez déconnecter le réfrigérateur et débrancher la prise d'alimentation.

2. N'utilisez jamais d'ustensiles tranchants ni de substances abrasives, savon, produit de nettoyage domestique, détergent ou cirage pour le nettoyer.

3. Utilisez de l'eau tiède pour nettoyer la carrosserie et séchez soigneusement à l'aide d'un chiffon.

4. Utilisez un chiffon humide imbibé d'une solution composée d'une cuillère à café de bicarbonate de soude pour un demi litre d'eau pour nettoyer l'intérieur et séchez soigneusement.

5. En cas de non utilisation de l'appareil pendant une période prolongée, débranchez-le, sortez toutes les denrées, nettoyez-le et laissez la porte entrouverte.

6. Il est recommandé de polir les parties métalliques de votre appareil (extérieur de la porte, parois latérales de la carrosserie) à l'aide d'une cire en silicone (cire pour voiture) pour protéger la surface peinte de qualité supérieure.

7. Dépoussiérez le condenseur situé à l'arrière de l'appareil une fois par an à l'aide d'un aspirateur.

8. Inspectez les joints de porte régulièrement pour vérifier qu'ils sont propres et qu'il n'y a pas de particules de nourriture.

9. Ne jamais :

- Nettoyer l'appareil au moyen d'un produit inadapté, à base de pétrole par exemple.
 - L'exposer à de hautes températures en aucune façon.
 - Récurer, frotter etc. avec un matériau abrasif.
10. Le dépôt excessif de glace doit être enlevé régulièrement. Une couche de glace trop épaisse diminuera les résultats du congélateur.

11. Pour sortir un tiroir, tirez-le vers vous autant que possible, soulevez-le et retirez-le ensuite complètement.

Repositionnement de la porte

Procédez dans l'ordre numérique (figure 9).

À faire / À éviter

À faire- Inspecter le contenu du congélateur à intervalles réguliers.

À faire- Nettoyer et dégivrer votre appareil régulièrement (voir « Dégivrage »).

À faire- Conserver les denrées pendant une durée aussi courte que possible et respecter les « dates limite de conservation » et « dates limite de consommation ».

À faire- Stocker les aliments surgelés dans le commerce selon les instructions indiquées sur les emballages.

À faire- Toujours Sélectionner des produits frais de bonne qualité et veiller à les nettoyer soigneusement avant de les congeler.

À faire- Préparer de petites portions de produits frais à congeler pour permettre une congélation rapide.

À faire- Emballer les produits surgelés juste après les avoir achetés et les mettre au congélateur dès que possible.

À faire- Répartir les denrées dans les compartiments et remplir la carte du contenu. Cela vous permettra de trouver les aliments rapidement et d'éviter d'ouvrir la porte trop longtemps, ce qui économisera de l'électricité.

À éviter- Conserver des substances toxiques ou dangereuses dans l'appareil. Ce dernier a été conçu pour la conservation de denrées alimentaires uniquement.

À éviter- Dépasser le pouvoir de congélation maximal lors de la congélation de produits frais.

À éviter- Consommer de la glace et des bâtonnets glacés dès leur sortie du congélateur. La basse température peut provoquer des brûlures aux lèvres.

À éviter- Congeler des boissons gazeuses.

À éviter- Conserver un produit congelé qui a été dégelé ; il doit être consommé sous 24 heures ou bien cuit puis recongelé.

À éviter- Sortir des produits du congélateur avec les mains mouillées.

À éviter- Fermer la porte avant de remettre le couvercle du compartiment congélation rapide en place.

À éviter- Laisser la porte ouverte pendant une durée prolongée car cela augmentera le coût de fonctionnement de l'appareil et entraînera un dépôt excessif de glace.

À éviter- Utiliser des objets tranchants tels que couteaux ou fourchettes pour enlever la glace.

À éviter- Introduire des aliments chauds dans l'appareil. Le laisser refroidir au préalable.

À éviter- Mettre des bouteilles remplies de liquide ou cannettes fermées hermétiquement contenant des liquides gazeux au congélateur car elles pourraient éclater.

Diagnostic

Si l'appareil ne fonctionne pas quand il est branché, vérifiez :

- Que la prise de l'appareil est branchée correctement à la prise murale et que le courant passe (pour vérifier l'alimentation à la prise murale, branchez un autre appareil)
- Si le fusible a sauté/le disjoncteur s'est déclenché/l'interrupteur du réseau d'alimentation est éteint.
- Que la commande de température soit réglée correctement.
- Que la nouvelle prise soit montée correctement si vous avez changé la prise moulée intégrée.

Si l'appareil ne fonctionne toujours pas après avoir effectué toutes les vérifications ci-dessus, contactez le fournisseur qui vous a vendu le produit.

Veuillez vous assurer d'avoir effectué toutes les vérifications ci-dessus car vous serez facturés si aucun défaut n'est détecté.

Informations relatives aux bruits de fonctionnement

Afin de maintenir la température sélectionnée, votre appareil met le compresseur en marche de temps en temps.

Les bruits correspondants sont tout à fait normaux.

Dès que l'appareil atteint la température de fonctionnement, les bruits sont automatiquement atténués.

Le vrombissement est émis par le moteur (compresseur). Lorsque le moteur se met en marche, le volume sonore peut augmenter brièvement.

Les bruits de bouillonnement, de **gargouillement** ou de **ronnement** sont émis par le réfrigérant lorsqu'il circule dans les tuyaux.

Un **bruit sec** se fait toujours entendre lorsque le thermostat enclenche/arrête le moteur.

Un bruit sec peut être émis lorsque

- le système de dégivrage automatique est activé.
- l'appareil se refroidit ou se réchauffe (expansion des matériaux).

Si ces bruits sont excessivement forts, leurs causes ne sont probablement pas graves et peuvent être supprimées très facilement.

L'appareil n'est pas à niveau

Utilisez les pieds ajustables ou insérez une cale sous le pied.

L'appareil n'est pas indépendant

Veuillez séparer l'appareil des meubles de cuisine ou autres appareils.

Les clayettes sont desserrées ou coincées

Veuillez vérifier les composants amovibles et les réinstaller, le cas échéant.

Avertissement !

N'essayez en aucun cas de réparer l'appareil ou l'un de ses composants électriques vous-même. Toute réparation effectuée par une personne non qualifiée est dangereuse pour l'utilisateur et peut entraîner l'annulation de la garantie.

Recyclage



Ce produit est marqué du symbole du tri sélectif, relatif aux déchets d'équipements électriques et électroniques. Cela signifie que ce produit doit être pris en charge par un système de collecte sélectif conformément à la directive européenne 2002/96/CE, afin de pouvoir être recyclé ou démantelé dans le but de réduire tout impact sur l'environnement. Attention les produits électroniques n'ayant pas fait l'objet d'un tri sélectif sont potentiellement dangereux pour l'environnement et la santé humaine en raison de la présence potentielle de substances dangereuses.

Herzlichen Glückwunsch zu Ihrer Wahl eines BEKO Qualitätsgerätes, das Ihnen ganz sicher viele Jahre lang gute Dienste leisten wird.

Wichtige Hinweise zu Ihrer Sicherheit

Schließen Sie Ihr Gerät nicht an die Stromversorgung an, solange nicht alle Verpackungsmaterialien und Transportsicherungen entfernt wurden.

- Wenn der Transport in waagerechter Lage durchgeführt wurde, lassen Sie das Gerät mindestens 4 Stunden stehen, ehe Sie es einschalten, damit sich das Kompressoröl setzen kann.
- Wenn Sie ein altes Gerät mit einem Schloss oder Sperrklinke an der Türe ausrangieren, stellen Sie sicher, dass Kinder nicht eventuell in das Gerät klettern und eingeschlossen werden können.
- Dieses Gerät darf nur für den vorgesehenen Verwendungszweck genutzt werden.
- Entsorgen Sie das Gerät nicht durch Verbrennen. Die Isolierung Ihres Gerätes enthält brennbare Substanzen (FCKW-frei). Ihre örtlichen Behörden informieren Sie über die verfügbaren Entsorgungsmöglichkeiten und -einrichtungen.
- Wir raten von einer Nutzung dieses Gerätes in unbeheizten und kalten Räumen ab. (z. B. in Garagen, Kühlhäusern, Anbauten, Lagerhäusern, Außengebäuden, usw.)

Um eine bestmögliche Leistung und einen problemlosen Betrieb Ihres Gerätes zu gewährleisten, ist es sehr wichtig, dass Sie die Bedienungsanleitung sorgfältig durchlesen und das Gerät entsprechend bedienen. Tun Sie dies nicht, können Sie Ihr Anrecht auf kostenlosen Service während der Garantiezeit verlieren.

Bitte verwahren Sie diese Bedienungsanleitung an einem sicheren Ort, damit Sie jederzeit darin nachlesen können.

Originalersatzteile stehen für einen Zeitraum von 10 Jahren ab Kaufdatum zur Verfügung.

Dieses Gerät ist nicht dafür bestimmt durch Personen (einschließlich Kinder) mit eingeschränkten physischen, sensorischen oder geistigen Fähigkeiten oder mangels Erfahrung und/oder mangels Wissen benutzt zu werden, es sei denn, sie werden durch eine für ihre Sicherheit zuständige Person beaufsichtigt oder erhalten von ihr Anweisungen, wie das Gerät zu benutzen ist.

Elektrischer Anschluss

Ehe Sie den Stecker in die Steckdose einstecken, kontrollieren Sie bitte, ob die auf dem Typenschild im Innenraum des Gerätes angegebene Spannung und Frequenz mit Ihrer Stromversorgung übereinstimmt. Wir empfehlen, dieses Gerät über eine entsprechend gesicherte und mit einem Schalter versehene Steckdose in leicht erreichbarer Lage mit der Stromversorgung zu verbinden.

Der Stecker muss auch nach der Installation stets zugänglich bleiben, damit das Gerät jederzeit von der Stromversorgung getrennt werden kann.

Warnung! Dieses Gerät muss geerdet werden.

Reparaturen an Elektrogeräten dürfen nur von qualifizierten Fachleuten ausgeführt werden. Falls das Stromkabel beschädigt sein sollte, muss es vom Hersteller oder vom Kundendienst ersetzt werden, damit es nicht zu Gefährdungen kommen kann.

ACHTUNG!

Dieses Gerät arbeitet mit R600a, welches ein umweltfreundliches, aber brennbares Gas ist. Während des Transports und der Aufstellung des Geräts muss darauf geachtet werden, dass das Kühlsystem nicht beschädigt wird. Wenn das Kühlsystem beschädigt wird und Gas aus dem System austritt, halten Sie das Gerät von offenen Flammen fern und lüften Sie den Raum für einige Zeit.

WARNUNG- Verwenden Sie außer der vom Hersteller empfohlenen, keine mechanischen oder anderen Hilfsmittel um den Abtauprozess zu beschleunigen.

WARNUNG- Beschädigen Sie den Kühlkreislauf nicht.

WARNUNG - Verwenden Sie im Lebensmittelaufbewahrungsbereich ihres Geräts nur vom Hersteller empfohlene elektrische Geräte.

WARNUNG - Wenn die Netzanschlussleitung dieses Gerätes beschädigt wird, muss sie durch den Hersteller oder seinen Kundendienst oder eine ähnlich qualifizierte Person ersetzt werden, um Gefährdungen zu vermeiden.

Transporthinweise

1. Das Gerät sollte nur in aufrechter Position transportiert werden. Die Originalverpackung muss während des gesamten Transports unbeschädigt bleiben.
2. Wenn das Gerät in einer horizontalen Lage transportiert wurde, darf es erst 4 Stunden nach Aufstellung in Betrieb genommen werden, um dem System die Möglichkeit zur Stabilisierung zu geben.
3. Bei Nichteinhaltung der obigen Hinweise können Schäden am Gerät auftreten, für die der Hersteller nicht haftbar gemacht werden kann.
4. Das Gerät muss vor Regen, Feuchtigkeit und anderen atmosphärischen Einflüssen geschützt werden.

Wichtig!

- Achten Sie darauf, nicht die Unterseite der metallischen Kondensatordrähte an der Rückseite des Geräts zu berühren, wenn Sie das Gerät reinigen oder bewegen, da Sie sich Finger und Hände verletzen könnten.
- Versuchen Sie nicht auf dem Gerät zu sitzen oder zu stehen, es ist nicht für eine solche Verwendung ausgerichtet. Sie könnten sich verletzen oder das Gerät beschädigen.
- Stellen Sie sicher, dass das Gerät während oder nach einem Ortswechsel nicht auf dem Stromkabel steht, da sonst das Kabel beschädigt werden könnte.
- Gestatten Sie Kindern nicht, mit dem Gerät oder den Gerätekontrollen zu spielen.

Aufstellen des Gerätes

1. Stellen Sie das Gerät nicht in Räumen auf, in welchen die Raumtemperatur während der Nacht oder speziell im Winter unter -15°C fallen könnte, da es darauf ausgerichtet ist, bei Umgebungstemperaturen von -15 bis $+43^{\circ}\text{C}$ zu arbeiten. In Umgebungen mit geringerer Temperatur arbeitet das Gerät möglicherweise nicht; dadurch wird die Haltbarkeit eingelagerter Lebensmittel reduziert.
2. Stellen Sie das Gerät nicht in der Nähe von Herden, Heizungen oder an Stellen mit direkter Sonneneinstrahlung auf, da dies eine zusätzliche Belastung für das Gerät bedeutet. Bei Aufstellung neben Wärme- oder Kältequellen halten Sie die nachfolgend

angegebenen Mindestseitenabstände ein:

Von Kochherden: 30 mm

Von Heizungen: 300 mm

Von Kühlgeräten: 25 mm

3. Stellen Sie sicher, dass um das Gerät herum genügend Raum ist, um ungehinderte Luftzirkulation zu garantieren (**Stück 2**).

• Legen Sie die hintere Kühlklappe an die Rückseite ihres Kühlschranks an um so die Entfernung zwischen Kühlschrank und Mauer festzulegen (**Stück 3**).

4. Das Gerät sollte auf einer ebenen Fläche stehen. Die beiden Füße an der Frontseite können nach Bedarf adjustiert werden. Um Sicherzustellen, dass ihr Gerät gerade steht, adjustieren Sie die beiden Füße an der Frontseite im Uhrzeigersinn oder gegen diesen, bis ein guter Bodenkontakt gegeben ist. Eine korrekte Einstellung der Füße verhindert starke Vibrationen und Geräusche (**Stück 4**).

5. Zur Vorbereitung ihres Geräts auf die Benutzung lesen Sie den Abschnitt "Reinigung und Pflege".

Temperaturkontrolle und -Einstellung

Die Temperatur des Tiefkühlbereiches wird durch die Gefriertemperaturtaste beeinflusst; **wir empfehlen die Positionen 2 oder 3.**

Diese Temperatur liegt generell unter -18°C. Sie können noch tiefere Temperaturen erreichen, indem Sie den Thermostatknopf zur Position MAX. hin drehen.

Wir empfehlen, die Temperatur mit einem Thermometer zu überprüfen – so können Sie sicher sein, dass in den Ablagen die gewünschte Temperatur herrscht. Denken Sie daran, das Thermometer sofort abzulesen, da die angezeigte Temperatur sehr schnell ansteigt, sobald Sie das Thermometer aus dem Kühlgerät nehmen.

Bitte vergessen Sie nicht, dass bei jedem Öffnen der Tür kalte Luft aus dem Inneren entweicht und dadurch die Temperatur im Gerät ansteigt. Lassen Sie die Tür daher nie offen stehen und schließen Sie sie sofort wieder, nachdem Sie Lebensmittel hineingestellt oder herausgenommen haben.

Vor der Inbetriebnahme

Endkontrolle

Ehe Sie Ihr Kühlgerät in Betrieb nehmen, überprüfen Sie bitte, dass:

1. Die Füße zwecks perfektem Stand adjustiert wurden.
2. Der Innenraum trocken ist und die Luft an der Rückseite frei zirkulieren kann.
3. Der Innenraum entsprechend der Hinweise im Abschnitt „Reinigung und Pflege“ gereinigt wurde.
4. Der Stecker in die Steckdose eingesteckt wurde und der Strom eingeschaltet ist. Geben Sie Acht, das Gerät nicht aus Versehen durch Überkleben des Schalters auszuschalten.

Und beachten Sie, dass:

5. Sie ein Geräusch hören, wenn sich der Kompressor einschaltet. Auch die im Kühlsystem befindlichen Flüssigkeiten und Gase können Geräusche verursachen, egal, ob der Kompressor läuft oder nicht. Dies ist völlig normal.
6. Zum Einfrieren frischer Lebensmittel benutzen Sie das mit vier Sternen gekennzeichnete Fach; wir empfehlen die zweite Ablage.
7. Geben Sie nicht zu viele Lebensmittel gleichzeitig in das Gefriergerät. Die Qualität der Lebensmittel bleibt am besten erhalten, wenn sie in möglichst kurzer Zeit tiefgefroren werden. Daher sollten Sie darauf achten, die im Datenblatt zum Gerät angegebene Gefrierkapazität nicht zu überschreiten. Das Thermostat sollte auf die geringste Innentemperatur eingestellt, die Schnellgefriertaste gedrückt werden – die gelbe Leuchte leuchtet auf.
8. Beladen Sie das Gerät nicht gleich nach dem Einschalten. Warten Sie, bis die richtige Lagerungstemperatur erreicht ist. Wir empfehlen, die Temperatur mit einem präzisen Thermometer zu kontrollieren (siehe „Temperaturkontrolle und -Einstellung“).

Wichtiger Hinweis:

Bei Stromausfall halten Sie die Gerätetür geschlossen. Gefrorene Lebensmittel sollten keinen Schaden nehmen, wenn der Ausfall nicht länger als 19 Stunden andauert. Falls der Ausfall länger andauern sollte, so sollten Sie die Lebensmittel überprüfen und entweder sofort verzehren, oder kochen und danach erneut einfrieren.

Tiefkühlbereich-Bedienfeld**Abbildung 5**

Über das Bedienfeld stellen Sie die Tiefkühltemperatur ein; es bietet noch einige weitere Funktionen:

1 - Orange LED - Schnellgefrieren läuft

Wenn Sie den Temperatureinstellknopf (4) auf die Schnellgefrieren-Position einstellen, leuchtet die orange LED (1) auf, das Gerät erreicht die geringstmögliche Temperatur. Nach 50 Stunden Betrieb bei geringster Temperatur erlischt die orange LED.

2 - Grüne LED - Stromversorgung hergestellt

Leuchtet, solange das Gerät mit Strom versorgt wird. Die grüne LED informiert nicht über die Innentemperatur.

3 - Rote LED - Hochtemperaturalarm**4 - Temperatureinstelltaste****Hochtemperaturalarm**

In den ersten 12 Stunden nach dem Einschalten wird dieser Alarm nicht ausgelöst. Nach Ablauf dieser Zeit kann die rote LED in folgenden Fällen aufleuchten:

- Falls das Gerät mit frischen Lebensmitteln überladen wurde.
- Falls die Tür offen gelassen wurde.

In diesen Fällen leuchtet die rote LED, bis die vorgegebene Temperatur wieder erreicht ist. Falls die rote LED leuchten sollte, warten Sie bitte erst 24 Stunden ab, bevor Sie sich an den autorisierten Kundendienst wenden.

Wichtig:

Je nach Einsatzbedingungen des Gerätes kann die Innentemperatur gewissen Schwankungen unterworfen sein: Aufstellungsort, Umgebungstemperatur, Häufigkeit des Türöffnens, Menge eingelagerter Lebensmittel. Die Temperatur wird entsprechend dieser Bedingungen nachgeregelt.

Falls die rote LED leuchten sollte, warten Sie 24 Stunden, bevor Sie sich an den autorisierten Kundendienst wenden.

Das Aufleuchten der LED kann dadurch verursacht worden sein, dass warme Speisen in das Kühlgerät gestellt wurden und/oder die Tür offen gelassen wurde.

Nach weiteren 24 Stunden Betrieb sollte die Warnung vor zu hoher Innentemperatur (rote LED) erlöschen.

Schnellgefrierfunktion

Zum Einschalten der Schnellgefrierfunktion stellen Sie den Temperatureinstellknopf auf die Schnellgefrieren-Position. Wir empfehlen, Lebensmittel 24 Stunden nach Einschalten der Schnellgefrierfunktion in das Gefrierfach zu geben. Wenn die Schnellgefrierfunktion aktiv ist, arbeitet Ihr Kühlgerät mit der geringstmöglichen Gefrierfachtemperatur. Die Schnellgefrierfunktion arbeitet 50 Stunden lang. Anschließend kehrt das Kühlgerät wieder zum Normalbetrieb mit der Temperatureinstellung 3 zurück; auch dann, wenn sich der Knopf noch in der Schnellgefrieren-Position befindet. Diese Funktion spart Energie, falls die Schnellgefrierfunktion aus jeglichen Gründen nicht abgeschaltet wird. Die Kühlungsleistung Ihres Kühlgerätes wurde bei aktiver Schnellgefrierfunktion ermittelt.

Lagerung von Tiefkühlkost

Ihr Kühlgerät ist für die langfristige Lagerung handelsüblicher Tiefkühlkost geeignet und kann auch dazu benutzt werden, frische Lebensmittel einzufrieren.

Bei Stromausfall nicht die Külschranktür öffnen. Tiefgekühlte Lebensmittel sollten von Stromausfällen von weniger als 19 Stunden nicht in Mitleidenschaft gezogen werden. Sollte der Stromausfall länger dauern, sollten die Lebensmittel überprüft werden und entweder sofort verzehrt oder gekocht und danach wieder eingefroren werden.

Frische Lebensmittel tiefkühlen

Bitte beachten Sie die folgenden Anweisungen, um beste Resultate zu erzielen.

Frieren Sie nicht zu große Mengen auf einmal ein. Die Qualität der Lebensmittel bleibt am besten erhalten, wenn sie so schnell wie möglich bis in den Kern tiefgekühlt werden. Wenn Sie größere Mengen frischer Lebensmittel auf einmal einfrieren möchten, stellen Sie den Einstellungsknopf 24 Stunden, bevor Sie die Lebensmittel in das Schnellgefrierfach geben, auf Schnellgefrieren ein. Wir empfehlen dringend, die Schnellgefrierfunktion mindestens 24 Stunden lang eingeschaltet zu belassen – so können Sie die maximale Menge an Gefriergut verarbeiten. Achten Sie besonders darauf, tiefgekühlte und frische Speisen nicht zu vermischen.

Geringe Lebensmittelmengen bis 500 g können auch ohne Schnellgefrieren eingefroren werden. Achten Sie besonders darauf, bereits tiefgekühlte und frische Speisen nicht zu vermischen.

Herstellung von Eiswürfeln (Abbildung 6)

Füllen Sie die Eiswürfelschale zu etwa 3/4 mit Wasser und stellen Sie diese ins Tiefkühlfach. Lösen Sie angefrorene Schalen mit einem Löffelstil oder einem ähnlichen Hilfsmittel; verwenden Sie niemals Gegenstände mit scharfen Kanten wie Messer oder Gabeln.

Lernen Sie Ihr neues Gerät kennen (Abbildung 1)

- 1 - Bedienfeld, Anzeige und Einstellung
- 2 - Eiswürfelschalenhalter und Eiswürfelschale
- 3 - Schnellgefrierfach
- 4 - Fächer zur Lagerung gefrorener Lebensmittel
- 5 - Einstellbare Füße an der Frontseite

Abtauen

Bitte tauen Sie das Gefrierfach mindestens zweimal pro Jahr ab - oder spätestens dann, wenn die Eisschicht zu dick werden sollte.

- Eisansammlungen sind völlig normal.
- Die Ansammlung von Eis (insbesondere an der Oberseite des Gefrierfachs) ist vollkommen normal und beeinflusst den Betrieb des Gerätes nicht.
- Wir empfehlen, das Gerät abzutauen, wenn sich nur geringe Mengen an Lebensmitteln im Inneren befinden.
- Bevor Sie mit dem Abtauen beginnen, stellen Sie den Temperaturregler auf maximale Kühlleistung ein, damit die Lebensmittel im Inneren gut durchgefroren werden.
- Ziehen Sie den Netzstecker
- Nehmen Sie die gefrorenen Lebensmittel heraus, verpacken Sie diese in einige Lagen Papier und lagern Sie diese an einem kühlen Ort.
- Zum schnellen Abtauen lassen Sie die Tür offen stehen und stellen Gefäße mit warmem Wasser (maximal 80 °C) in das Gerät. Verwenden Sie niemals spitze oder scharfe Gegenstände (wie Messer oder Gabeln) zum Entfernen der Eisschicht.
- Verwenden Sie niemals Haartrockner, elektrische Heizgeräte oder ähnliches zum Beschleunigen des Abtauvorgangs.
- Wenn der Abtauvorgang abgeschlossen ist, trocknen Sie den Innenraum gründlich und schließen dann die Tür.

(Abbildungen 7 und 8)

Reinigung und Pflege

1. Wir empfehlen, das Gerät an der Steckdose auszuschalten und den Netzstecker zu ziehen, ehe Sie mit der Reinigung beginnen.

2. Verwenden Sie zur Reinigung niemals scharfe Gegenstände, Scheuermittel, Seife, Haushaltsreiniger, Waschmittel oder Wachspolituren.

3. Reinigen Sie die Außenflächen des Gerätes mit lauwarmem Wasser, wischen Sie die Flächen danach trocken.

4. Zur Reinigung des Innenraums verwenden Sie ein feuchtes Tuch, das Sie in eine Lösung aus 1 Teelöffel Natron und einem halben Liter Wasser getaucht und ausgewrungen haben. Nach dem Reinigen wischen Sie den Innenraum trocken.

5. Wenn das Gerät längere Zeit nicht benutzt wird, schalten Sie es ab, nehmen alle Lebensmittel heraus, reinigen das Gerät und lassen die Türe geöffnet.

6. Wir empfehlen, die Metallteile des Geräts (wie Türbeschläge, Außenwände) mit einem Silikonwachs (Autowachs) zu polieren um den Lack zu schützen.

7. Der Staub, der sich auf dem Kondensator an der Rückseite des Geräts ansammelt, sollte einmal jährlich mit dem Staubsauger entfernt werden.

8. Kontrollieren Sie die Türdichtungen regelmäßig, um sicherzustellen, dass diese sauber und frei von Speiseresten sind.

9. Niemals:

- Das Gerät mit ungeeigneten Mitteln reinigen, z. B. mit Reinigern auf Petroleum- oder Benzinbasis.

- Hohen Temperaturen aussetzen

- Scheuern, schrubben etc. mit Scheuermitteln

10. Größere Eisansammlungen sollten regelmäßig entfernt werden. Starke Eisansammlungen beeinträchtigen die Leistung des Kühlgerätes.

11. Um eine Lade zu entfernen, ziehen Sie diese so weit wie möglich heraus, heben sie etwas an und ziehen sie dann komplett heraus.

Ändern des Türanschlags

Gehen Sie der Reihe nach vor (**Abbildung 9**).

Wichtige Hinweise – bitte beachten!

Ja: Überprüfen Sie den Inhalt Ihres Kühlgerätes regelmäßig.

Ja: Reinigen und tauen Sie ihr Gerät regelmäßig ab (lesen Sie dazu den Abschnitt „Abtauen“)

Ja: Lagern Sie die Lebensmittel so kurz wie möglich und halten Sie sich an Angaben wie „Verwendbar bis“ oder an das Mindesthaltbarkeitsdatum.

Ja: Lagern Sie handelsübliche Tiefkühlspeisen entsprechend der Hinweise auf der Verpackung.

Ja: Wählen Sie immer qualitativ hochwertige, frische Ware und stellen Sie sicher, dass diese komplett sauber ist, ehe Sie sie tiefkühlen.

Ja: Bereiten Sie frische Speisen, die Sie tiefkühlen möchten, in kleinen Portionen vor, damit die Lebensmittel möglichst schnell eingefroren werden können.

Ja: Wickeln Sie Tiefkühlkost sofort nach dem Kauf gut ein und geben Sie diese so schnell wie möglich in Ihr Kühlgerät.

Ja: Verteilen Sie Lebensmittel auf die einzelnen Fächer und füllen Sie die Inhaltskarte aus. Dadurch finden Sie Lebensmittel schnell wieder und müssen die Tür nicht lange geöffnet halten – das spart Energie.

- NEIN:** Tür lange geöffnet halten. Dies verteuert den Betrieb des Gerätes und trägt außerdem zu vermehrter Eisbildung bei.
- NEIN:** Eisschicht mit ungeeigneten Objekten wie Messern oder Gabeln entfernen.
- NEIN:** Heiße Speisen in das Gerät stellen. Lassen Sie diese zuerst auskühlen.
- NEIN:** Mit Flüssigkeiten gefüllte Flaschen oder ungeöffnete Behälter mit kohlenensäurehaltigem Inhalt in den Tiefkühler legen – sie könnten platzen.
- NEIN:** Giftige und andere gefährliche Substanzen im Gerät lagern. Es ist nur auf die Lagerung von Lebensmitteln ausgerichtet.
- NEIN:** Überschreitung der maximalen Tiefkühlmenge beim Einfrieren frischer Lebensmittel.
- NEIN:** Kindern Eiscreme und Wassereis direkt aus dem Gefrierfach geben. Die sehr niedrige Temperatur kann zu Erfrierungen der Lippen führen.
- NEIN:** Kohlenensäurehaltige Getränke tiefkühlen.
- NEIN:** Tiefkühlware, die bereits angetaut ist, wieder einfrieren; diese sollte innerhalb von 24 Stunden entweder verzehrt, oder gekocht und danach wieder eingefroren werden.
- NEIN:** Gegenstände mit nassen Händen aus dem Tiefkühler nehmen.
- NEIN:** Tür schließen, bevor das Schnellgefrierfach richtig verschlossen wurde.

Problemlösung

Wenn das Gerät nicht arbeitet, obwohl es eingeschaltet ist, kontrollieren Sie:

- Ob der Stecker richtig in der Steckdose steckt und die Stromzufuhr eingeschaltet ist. (Um die Stromzufuhr in der Steckdose zu überprüfen, stecken Sie ein anderes Gerät ein.)
- Ob die Sicherung durchgebrannt/ausgelöst oder die Hauptstromzufuhr abgeschaltet wurde.
- Dass die Temperatur richtig eingestellt wurde.
- Dass der neue Stecker richtig verdrahtet ist, sofern Sie den gelieferten, vergossenen Stecker ausgetauscht haben.

Falls das Gerät nach den oben angeführten Kontrollen immer noch nicht arbeiten sollte, wenden Sie sich bitte den Händler, bei dem Sie das Gerät gekauft haben.

Stellen Sie bitte sicher, dass alle oben genannten Kontrollen durchgeführt wurden, da eine Gebühr anfällt, falls kein Fehler gefunden werden sollten.

Hinweise zum Betriebsgeräusch

Um die eingestellte Temperatur konstant zu halten, schaltet Ihr Gerät hin und wieder den Kompressor ein.

Die dadurch entstehenden Geräusche sind völlig normal.

Sobald die richtige Betriebstemperatur erreicht ist, lassen die Geräusche automatisch nach.

Ein Summton wird durch den Motor (Kompressor) hervorgerufen. Wenn sich der Motor einschaltet, kann die Lautstärke des Geräusches etwas zunehmen.

Blubbernde, gurgelnde oder zischende Geräusche entstehen, wenn das Kühlmittel durch die Rohre fließt.

Ein Klicken kann entstehen, wenn der Motor durch das Thermostat ein- oder ausgeschaltet wird.

Ein Klicken entsteht, wenn:

- Das automatische Abtausystem arbeitet.
- Das Gerät abgekühlt oder aufgewärmt wird (Materialausdehnung).

Falls diese Geräusche übermäßig laut ausfallen sollten, liegt dies meist nicht an einem schwerwiegenden Fehler. Solche Geräusche lassen sich meist sehr einfach abstellen.

Das Gerät ist nicht völlig gerade aufgestellt

Nutzen Sie die höhenverstellbaren Füße oder legen Sie etwas darunter.

Das Gerät steht nicht frei

Sorgen Sie für einen gewissen Abstand zu Küchen- und sonstigen Geräten.

Ablagen sind lose oder verklemmt

Bitte überprüfen Sie die abnehmbaren Teile und passen Sie diese bei Bedarf neu ein.

Warnung!

Versuchen Sie niemals, das Gerät oder seine elektrischen Komponenten selbst zu reparieren. Jede von einer nicht qualifizierten Person versuchte Reparatur ist gefährlich und kann zum Erlöschen der Garantie führen.

**Bedeutung des Symbols „Mülltonne“**

Schonen Sie unsere Umwelt, Elektrogeräte gehören nicht in den Hausmüll.

Nutzen Sie die für die Entsorgung von Elektrogeräten vorgesehenen Sammelstellen und geben dort Ihre Elektrogeräte ab die Sie nicht mehr benutzen werden.

Sie helfen damit die potenziellen Auswirkungen, durch falsche Entsorgung, auf die Umwelt und die menschliche Gesundheit zu vermeiden.

Sie leisten damit Ihren Beitrag zur Wiederverwertung, zum Recycling und zu anderen Formen der Verwertung von Elektro- und Elektronik-Altgeräten.

Informationen, wo die Geräte zu entsorgen sind, erhalten Sie über Ihre Kommunen oder die Gemeindeverwaltungen.

In vielen Ländern der EU ist die Entsorgung von Elektro- und Elektronik-Altgeräten über den Haus- und/oder Restmüll ab 13.8.2005 verboten.

In Deutschland ab 23.3.2006.

Gefeliciteerd met uw keuze voor een kwaliteitstoestel van BEKO, ontwikkeld voor vele jaren dienst.

Veiligheid eerst!

Sluit uw toestel niet op de stroomtoevoer aan totdat alle verpakking en transportbescherming werd verwijderd.

- Laat de koelkast, als ze horizontaal werd vervoerd, minstens 4 uur stilstaan alvorens ze in werking te stellen. Dit dient om de olie van de compressor te laten zakken.
- Als u een oud toestel met een slot of een klink aan de deur vervangt, zorg er dan voor dat het op een veilige manier wordt achtergelaten zodat kinderen er niet in opgesloten kunnen geraken.
- Dit toestel mag enkel worden gebruikt voor het doel waar het voor dient.
- Verbrand uw apparaat niet. Het apparaat bevat bestanddelen zonder C.F.K. in de isolatie. Deze zijn brandbaar. Wij raden u aan om de plaatselijke instanties te contacteren voor informatie over de beschikbare faciliteiten voor het verwijderen van uw toestel.
- Wij raden het gebruik van dit toestel af in een onverwarmde, koude ruimte. (bijv. garage, serre, aanbouw, schuurtje, bijgebouw, enz.)

Het is heel belangrijk deze instructies zorgvuldig te lezen om de best mogelijke en probleemloze werking van uw toestel te bewerkstelligen. Het niet opvolgen van deze instructies kan uw recht op gratis service tijdens de garantieperiode doen vervallen.

Gelieve deze instructies op een veilige plaats te bewaren voor eenvoudige raadpleging.

Dit toestel is niet geschikt voor gebruik door personen met fysische of mentale problemen of met een gebrek aan ervaring of kennis tenzij er toezicht of uitleg over het product gegeven wordt door de persoon die de verantwoordelijkheid over hun veiligheid draagt.

Kinderen moeten onder toezicht staan zodat ze niet met het toestel kunnen spelen.

Elektriciteitsvereisten

Vergewis u ervan, alvorens u de stekker in het stopcontact steekt, dat de voltage en de frequentie op de kwalificatieplaat binnenin het toestel overeenkomen met uw stroomtoevoer.

Wij raden u aan dit toestel aan te sluiten op de hoofdtoevoer via een naar behoren aangesloten en verzekerd stopcontact op een onmiddellijk bereikbare plaats.

Na plaatsing van het apparaat moet de stekker eenvoudig toegankelijk blijven, zodat het mogelijk is om het apparaat na installatie van de stroomtoevoer af te sluiten.

Waarschuwing! Dit toestel moet worden geaard.

Reparaties aan de elektrische apparatuur mogen alleen door gekwalificeerde deskundigen worden uitgevoerd. Als de stroomkabel beschadigd is, moet deze – om gevaar te voorkomen – door de fabrikant of klantenservice worden vervangen.

OPGELET!

Dit toestel werkt op R600a. Dit is een milieuvriendelijk, maar brandbaar gas. Tijdens het transport en de plaatsing van het product moet er zorg voor worden gedragen dat het koelsysteem niet wordt beschadigd. Als het koelsysteem toch wordt beschadigd en er ontstaat een gaslek, houd het product dan verwijderd van open vuurbronnen en verlucht de kamer een tijdje.

WAARSCHUWING - Gebruik geen andere mechanische toestellen of andere middelen om het ontdooiingproces te versnellen dan die toestellen of middelen die door de fabrikant worden aangeraden.

WAARSCHUWING - Beschadig het koelcircuit niet.

WAARSCHUWING - Gebruik geen elektrische toestellen in de bewaarladen van het toestel, tenzij ze door de fabrikant worden aangeraden.

WAARSCHUWING - Indien het netsnoer beschadigd is, moet dit door de producent, de dealer of een ander gekwalificeerd persoon worden gerepareerd om gevaar te voorkomen.

Transportinstructies

1. Het toestel mag enkel in staande positie

worden vervoerd. De oorspronkelijke verpakking moet intact blijven tijdens het transport.

2. Als het toestel tijdens het transport horizontaal werd geplaatst, mag het minstens gedurende 4 uur niet in werking worden gesteld zodat het systeem kan stabiliseren.

3. Het niet naleven van de bovenstaande instructies kan het toestel beschadigen.

Hiervoor kan de fabrikant niet verantwoordelijk worden gehouden.

4. Het apparaat moet worden beschermd tegen regen, vochtigheid en andere weersinvloeden.

Belangrijk!

- Tijdens het schoonmaken/dragen van het toestel dient u ervoor te zorgen dat de metalen draden aan de onderkant van de condensor, die zich aan de achterkant van het toestel bevindt, niet worden aangeraakt. Deze kunnen vingers en handen kwetsen.

- Probeer niet bovenop het toestel te gaan zitten of staan, omdat het daar niet voor werd ontworpen. U zou zichzelf kunnen kwetsen of het toestel beschadigen.

- Zorg ervoor dat de hoofdkabel niet onder het toestel komt vast te zitten tijdens en na het verplaatsen ervan. Dit zou de kabel kunnen beschadigen.

- Laat kinderen niet met het toestel spelen of aan de knoppen komen.

Installatie-instructies

1. Plaats uw toestel niet in een kamer waar de temperatuur 's nachts en/of vooral 's winters lager dan -15°C (5°F) kan worden. Het werd ontworpen voor een werking in een omgevingstemperatuur tussen -15°C en +43°C (5°F en 109°F). Bij lagere temperaturen zou het apparaat mogelijk niet kunnen werken. Dit zou de bewaartijd van de etenswaren verkorten.

2. Plaats het toestel niet in direct zonlicht of in de nabijheid van een fornuis of een radiator. Dit zou de functies van het toestel extra belasten. Als het toch naast een warmtebron of een diepvriezer wordt geplaatst, neem dan de volgende minimumafstanden in acht:

Van een fornuis 30 mm

Van een radiator 300 mm

Van een diepvriezer 25 mm

3. Zorg voor voldoende ruimte rond het toestel, zodat de lucht er vrij kan circuleren (**Afbeelding 2**).

• Bevestig het verluchtingstokje aan de achterkant van uw koelkast om de afstand tussen de koelkast en de muur te bepalen (**Afbeelding 3**).

4. Het toestel moet op een vlak oppervlak worden geplaatst. De twee voorste voetjes kunnen naar wens worden aangepast. Draai ze met of tegen de richting van de klok, totdat ze veilig en stevig de grond raken en uw toestel goed recht staat. Het juist afstellen van de voetjes voorkomt overdreven trillingen en lawaai (**Afbeelding 4**).

5. Raadpleeg het onderdeel "Schoonmaak en Onderhoud" om uw toestel klaar te maken voor gebruik.

Opmeting en regeling van de temperatuur

Met de instelknop voor de temperatuur van de diepvriezer kunt u de diepvriezertemperatuur aanpassen (**aanbevolen stand 2 of 3**).

Over het algemeen ligt deze temperatuur onder -18°C . U kunt een lagere temperatuur verkrijgen door de thermostaatknop in de stand MAX te draaien.

We raden aan om de temperatuur met een thermometer te controleren om ervoor te zorgen dat de opslagvakken de gewenste temperatuur behouden. Lees de thermometer onmiddellijk af want de thermometertemperatuur zal zeer snel stijgen nadat u deze uit de vriezer genomen hebt. Vergeet niet dat telkens de deur wordt geopend, koude lucht ontsnapt en de interne temperatuur stijgt. Laat daarom de deur nooit open staan en sluit de deur onmiddellijk nadat voedsel verwijderd werd of erin werd geplaatst.

Alvorens de inwerkingstelling

Laatste controle

Alvorens u de diepvriezer begint te gebruiken, controleer of:

1. De voetjes zo werden geregeld dat de koelkast perfect recht staat.
2. De binnenkant droog is en dat de lucht achteraan vrij kan circuleren.

3. De binnenkant proper is, zoals aanbevolen onder "SCHOONMAAK EN ONDERHOUD".

4. De stekker in het stopcontact zit en de elektriciteit is aangesloten. Vermijd een toevallige loskoppeling door de schakelaar vast te plakken.

Ter informatie:

5. U zult een geluid horen wanneer de compressor opstart. De vloeistof en de gassen die zich in het koelsysteem bevinden, zouden ook wat lawaai kunnen veroorzaken en dit zowel wanneer de compressor aan het werken is of niet. Dit is normaal.

6. Om verse producten in te vriezen, gebruikt u het diepvriesvak dat voorzien is van vier sterren (tweede schap is hiervoor aanbevolen).

7. Plaats geen te grote hoeveelheid voedsel tegelijkertijd in de diepvries. De voedselkwaliteit wordt goed behouden als het op de kortst mogelijk tijd wordt ingevroren. Het is daarom verkieslijk om de vriescapaciteit van het toestel, weergegeven in "Toestelrecord", niet te overschrijden. De thermostaatknop moet worden afgesteld om de laagste temperatuur in de diepvriezer te verkrijgen, met de snelvries-functie geactiveerd en het oranje lampje verlicht.

8. Laad het toestel niet onmiddellijk, nadat het is aangeschakeld. Wacht tot de juiste bewaartemperatuur wordt bereikt. Wij raden u aan de temperatuur op te meten met een accurate thermometer (zie: Opmeting en regeling van de temperatuur).

Belangrijke opmerking:

Open de deur niet in geval van een elektriciteitspanne. Ingevroren voedsel wordt niet aangetast indien de panne minder dan 19 uur duurt. Indien de panne langer duurt, moet het voedsel worden gecontroleerd en ofwel onmiddellijk worden opgegeten of worden bereid en opnieuw worden ingevroren.

Bedieningspaneel diepvriezer

Afbeelding 5

Met het bedieningspaneel kunt u de temperatuur in diepvriezer aanpassen en beschikt u over de volgende functies:

1 - Oranje lampje - Fast freeze (snelvriezen) aan

Als u de knop voor het instellen van de diepvriezertemperatuur (4) op de „FAST FREEZE”(snelvriezen)-stand zet, gaat het oranje lampje (1) branden en het apparaat werken onder de laagste temperatuurcondities. Het oranje LED stopt met branden na 50 uur werken onder de laagste temperatuurcondities.

2 - Groene lampje - elektriciteit aan (Voltage)

Dit lampje brandt wanneer het toestel op het netwerk is aangesloten en blijft branden zolang er stroomtoevoer is. Het groene lampje geeft geen informatie over de temperatuur binnenin de vriezer.

3 - Rode lampje - Alarm Hoge Temperatuur

4 - Knop temperatuurinstelling

Alarm hoge temperatuur

Nadat het toestel voor de eerste keer is ingeschakeld is het alarm gedurende 12 uur niet actief (rode lampje is uit).

Na deze periode kan het rode lampje in de volgende gevallen gaan branden (rode lampje aan):

- Als het toestel te vol is geladen met verse etenswaren
- Als de deur onbedoeld is open blijven staan. In deze gevallen blijft het rode lampje branden totdat het toestel de vooraf ingestelde temperatuur weer heeft bereikt.

Als het rode lampje brandt, wacht dan 24 uur voordat u een geautoriseerde onderhoudsdienst belt.

Belangrijk:

De temperatuur die binnenin verkregen wordt, kan variëren afhankelijk van de gebruiksomstandigheden van het toestel: plaats, omgevingstemperatuur, frequentie van het openen van de deur, hoeveelheid voedsel in het toestel. De temperatuurinstelling wordt afhankelijk van deze omstandigheden aangepast.

Als het rode lampje brandt, wacht 24 uur voor u een erkend servicebedrijf contacteert.

Het zou het warme voedsel kunnen zijn dat in het toestel werd geplaatst en/of de deur die werd open gelaten.

Na 24 uur zou het alarm voor te hoge temperatuur (rode lampje) dan uit moeten zijn.

Snelvriesfunctie

Om de FAST FREEZING (snelvriezen)-functie te activeren, draait u de instelknop voor de temperatuur naar de „FAST FREEZE”(snelvriezen)-stand. Het wordt aanbevolen dat u het voedsel dat u sneller wilt invriezen in het vriesgedeelte plaatst 24 uur nadat u de snelvries-functie heeft geactiveerd. Als de snelvries-functie wordt geactiveerd, werkt uw koelkast op de laagste temperatuur voor de diepvriezer. De snelvries-functie werkt maximaal 50 uur. Na beëindiging schakelt uw koelkast terug naar de normale condities met een temperatuurinstelling van 3, zelfs als de knop op de „FAST FREEZE”(snelvriezen)-stand staat. Deze eco-ontwerpfunctie zorgt voor energiebesparing als de snelvries-functie om welke reden dan ook niet wordt geannuleerd. De vriescapaciteit van uw koelkast wordt gemeten en bepaald als de snelvries-functie actief is.

Diepvriesproducten bewaren

Uw diepvriezer is geschikt voor het langdurige bewaren van commercieel ingevroren etenswaren en kan ook worden gebruikt om verse etenswaren in te vriezen en te bewaren. Open de deur niet in geval van een elektriciteitspanne. De ingevroren etenswaren zouden niet mogen worden aangetast, als de panne minder dan 19 uur duurt. Als ze langer duurt, moeten de etenswaren worden nagekeken en ofwel onmiddellijk worden opgegeten, ofwel worden klaargemaakt en dan opnieuw ingevroren.

Verse etenswaren invriezen

Gelieve de volgende instructies in acht te nemen om de beste resultaten te bereiken. Vries nooit een al te grote hoeveelheid in één keer in. De kwaliteit van het eten blijft het best geconserveerd wanneer het zo snel mogelijk goed tot in het hart wordt ingevroren.

Als u grote hoeveelheden verse producten gaat invriezen, draait u de bedieningsknop naar de „FAST FREEZE”(snelvriezen)-positie 24 uur voordat u de verse producten in het snelvriesgedeelte legt.

Het wordt sterk aanbevolen de knop minimaal 24 uur op de „FAST FREEZE”(snelvriezen)-stand te houden om de maximale hoeveelheid verse producten in te vriezen zoals bepaald in de vriescapaciteit. Zorg dat u geen diepvriesproducten met verse etenswaren mengt.

Kleine hoeveelheden etenswaren, tot ½ kg. (1 lb.), kunnen zonder de Fast Freeze-knop worden ingevroren.

Zorg er goed voor geen ingevroren producten te mengen met verse etenswaren.

Ijsblokjes maken (Afbeelding 6)

Vul de vorm voor $\frac{3}{4}$ met water en plaats hem in de diepvriezer. Maak aangevoren vormen los met het uiteinde van een lepel of een gelijkaardig instrument; gebruik nooit scherpe voorwerpen, zoals messen of vorken.

Uw toestel leren kennen (Afbeelding 1)

- 1 - Bedieningspaneel, weergave en aanpassing
- 2 - Houder voor ijschaal en ijsschaal
- 3 - Lade voor snel invriezen
- 4 - Lade voor het bewaren van ingevroren etenswaren
- 5 - Verstelbare voetjes

Ontdooien

We bevelen aan om het diepvriezergedeelte minstens tweemaal per jaar te ontdooien of wanneer de ijslaag te dik is.

- Ijsaanslag is een normaal fenomeen.

- De ijsaanslag, vooral in het bovenste gedeelte van het vak, is een natuurlijk fenomeen en beïnvloedt de goede werking van het toestel niet.
- Het is aan te bevelen om het toestel te ontdooien wanneer de hoeveelheid ingevroren voedsel niet te groot is.
- Zet voor het ontdooien de thermostaatknop op de maximum positie om het voedsel diep in te vriezen. Tijdens deze tijd mag de temperatuur van de koelkast niet te laag zijn.
 - Trek de stekker uit het stopcontact.
 - Verwijder de diepgevroren etenswaren, verpak ze in verschillende lagen papier en plaats ze op een koude plaats.
 - Laat de deur open staan voor snel ontdooien en plaats in de kast potten met warm water (max. 80°C).

Gebruik geen puntige of scherpe voorwerpen, zoals messen of vorken, om het ijs te verwijderen.

Gebruik nooit haardrogers, elektrische verwarmingstoestellen of andere gelijkaardige elektrische toestellen om te ontdooien.

Wanneer het ontdooien klaar is, sluit het ontdooigedeelte en droog de binnenkant grondig.

(Afbeelding 7 & 8).

Schoonmaak en onderhoud

1. Wij raden u aan het toestel uit te schakelen aan het stopcontact en de hoofdstekker uit te trekken voor het schoonmaken.
2. Gebruik nooit scherpe instrumenten of schurende bestanddelen, zeep, huishoudproducten, afwasmiddel of boenwas om te poetsen.
3. Gebruik lauw water om het kabinet van het toestel schoon te maken en wrijf het droog.
4. Gebruik een vochtige doek, uitgewrongen in een oplossing van één koffielepel natriumbicarbonaat voor 50 cl water, om de binnenkant schoon te maken en wrijf vervolgens droog.
5. Als het toestel voor een lange periode niet zal worden gebruikt, schakel het dan uit, verwijder al de etenswaren, maak het schoon en laat de deur op een kier staan.

6. Wij raden u aan de metalen onderdelen van het product (d.i. de buitenkant van de deur, de wanden van de kast) op te poetsen met een siliconewas (autoboenwas) om de verfafwerking van hoge kwaliteit te beschermen.

7. Al het stof dat zich op de condensator nestelt, die zich achteraan het toestel bevindt, moet één keer per jaar met een stofzuiger worden verwijderd.

8. Kijk de deurgrendels regelmatig na om u ervan te vergewissen dat ze proper en vrij van etensresten zijn.

9. Nooit doen:

- Maak het toestel nooit schoon met ongeschikt materiaal; vb. producten op basis van petroleum.
- Stel het toestel nooit bloot aan hoge temperaturen op eender welke manier.
- Schrob, wrijf, enz. nooit met schurend materiaal.

10. Overdreven ijsaanslag moet regelmatig worden verwijderd. Een grote ophoping van ijs zal afbreuk doen aan de prestatie van de diepvriezer.

11. Om een lade te verwijderen, trekt u hem zo ver mogelijk uit het toestel, licht u hem op en trekt u hem er vervolgens volledig uit.

De deur verplaatsen

Ga te werk in de volgorde van de getallen (Afbeelding 9).

Wel en niet doen

Wel- De inhoud van de diepvriezer regelmatig controleren.

Wel- Uw toestel regelmatig schoonmaken en ontdooien (Zie "Ontdooien")

Wel- Bewaar etenswaren zo kort mogelijk en houdt u aan de vervaldatum.

Wel- Bewaar diepvriesproducten volgens de instructies op de verpakking.

Wel- Opteer altijd voor verse etenswaren van hoge kwaliteit en zorg ervoor dat ze volledig proper zijn alvorens u ze invriest.

Wel- Verdeel in te vriezen verse etenswaren in kleine porties, zodat ze snel kunnen invriezen.

Wel- Pak diepvriesproducten onmiddellijk in na aankoop en plaats ze zo snel mogelijk in de diepvriezer.

Wel- Houd de voedingswaren gescheiden in de vakken en vul de inhoudkaarten in. Zo kunt u de voedingswaren snel vinden en vermijden om de deur te lang te openen waardoor u elektriciteit bespaart.

Niet- De deur voor een lange tijd open laten staan. Dit zal het toestel kostelijker maken en overdreven ijsaanslag veroorzaken.

Niet- Scherpe objecten, zoals messen of vorken, gebruiken om het ijs te verwijderen.

Niet- Warm eten in het toestel plaatsen. Laat het eerst afkoelen.

Niet- Flessen of luchtdichte blikken met koolzuurhoudende vloeistoffen in de diepvriezer plaatsen. Deze zouden namelijk kunnen barsten.

Niet- Giftige of gevaarlijke bestanddelen in uw koelkast bewaren. Het toestel werd namelijk enkel ontworpen voor het bewaren van eetbare producten.

Niet- De maximumlading overschrijden wanneer u verse etenswaren invriest.

Niet- Ijsjes of ijslolly's, die direct uit de diepvriezer komen, opeten. De lage temperatuur kan 'vriesbrandwonden' veroorzaken op de lippen.

Niet- Bruisende dranken diepvriezen.

Niet- Ingevroren etenswaren, die zijn ontdooid, proberen te bewaren; zij moeten binnen de 24 uur worden opgegeten of worden klaargemaakt en opnieuw ingevroren.

Niet- Items uit de diepvriezer nemen met natte handen.

Niet- De deur sluiten voor u het deksel van het snelvriesvak vervangt.

Problemen oplossen

Als het toestel niet werkt wanneer het is aangeschakeld, controleer dan het volgende:

- Of de stekker goed in het stopcontact steekt en of de stroomtoevoer aanstaat. (Om de stroomtoevoer naar het stopcontact te testen, sluit u een ander toestel erop aan)
- Of de zekering is gesprongen / de stroomonderbreker is doorgeslagen / de hoofddistributie werd afgesloten.
- Of de temperatuurregeling juist werd ingesteld.
- Of de nieuwe stekker juist werd aangesloten, als u de aangeleverde standaardstekker heeft vervangen.

Als het toestel nog altijd niet werkt na alle bovenstaande controles, contacteer dan de verdeler van wie u het toestel heeft gekocht. Gelieve ervoor te zorgen dat de bovenstaande controles werden uitgevoerd, aangezien u de verplaatsing zal worden aangerekend als er geen fout wordt vastgesteld.

Informatie over de functiegeluiden

Om de geselecteerde temperatuur constant te houden, schakelt uw toestel nu en dan de compressor AAN.

De resulterende geluiden zijn normaal. Van zodra het toestel de gewenste temperatuur heeft bereikt, zullen de geluiden automatisch minder luid worden.

Het zoemende geluid wordt voortgebracht door de motor (compressor). Wanneer de motor wordt AANgeschakeld, kan het geluid even luider worden.

Het bubbelende, gorgelende of gonzende geluid wordt voortgebracht door de koelvloeistof, wanneer ze door de pijpen stroomt.

Het klikkende geluid kan altijd worden gehoord wanneer de thermostaat de motor AAN/UIT schakelt.

Een klikkend geluid kan voorkomen wanneer

- het automatische ontdooisysteem is actief.
- het toestel aan het afkoelen of aan het opwarmen is (materiaalexpansie).

Als deze geluiden overdreven luid zijn, zijn de oorzaken ervan waarschijnlijk niet heel erg. Meestal kan dit heel eenvoudig worden opgelost.

Het toestel staat niet waterpas

Gebruik de verstelbare voetjes of plaats verpakking onder de voetjes.

Het toestel staat ergens tegenaan

Plaats het toestel zo dat het niet tegen keukenkastjes of andere toestellen staat.

Lades liggen los of kleven vast

Kijk de verwijderbare onderdelen na en plaats ze opnieuw indien nodig.

Waarschuwing!

Probeer nooit om het toestel of zijn elektrische onderdelen zelf te repareren. Reparaties die worden uitgevoerd door een ongekwalificeerde persoon zijn gevaarlijk voor de gebruiker en kunnen tot garantieverlies leiden.



Het symbool  op het product of op de verpakking geeft aan dat het product niet als huishoudelijke afval kan worden behandeld. In plaats daarvan moet het worden afgegeven in het toepasselijke recyclagecentrum voor het recyclen van elektrische en elektronische apparaten. Door ervoor te zorgen dat dit product op de juiste manier wordt verwijderd, helpt u potentiële negatieve gevolgen te vermijden voor het milieu en de menselijke gezondheid, die anders veroorzaakt zouden kunnen worden door de verkeerde afvalbehandeling van dit product. Voor meer gedetailleerde informatie over het recyclen van dit product, neem contact op met de plaatselijke instanties, uw huishoudafval-verwerkingsdienst of de winkel waar u het product hebt aangekocht.

Blahoželáme k vášmu výberu kvalitného spotrebiča značky BEKO navrhnutého tak, aby vám slúžil veľa rokov.

Bezpečnosť nadovšetko!

Nezapájajte spotrebič do elektrickej siete, kým nie sú odstránené baliace a ochranné prostriedky.

- Nechajte spotrebič stáť minimálne 4 hodiny predtým, ako ho zapnete, aby sa olej v kompresore usadil, ak bol prepravovaný horizontálne.

- Ak znehodnocujete starý spotrebič, jeho zámok alebo závoru uspôsobenú k dverám, uistite sa, že sú odstránené bezpečným spôsobom, aby ste predišli tomu, že sa dnu zamknú deti.

- Tento spotrebič musí byť výlučne použitý pre navrhnutý účel.

- Nevystavujte spotrebič ohňu. Spotrebič neobsahuje CFC substancie v izolácií, ktoré sú horľavé.

Navrhujeme vám kontaktovať miestne úrady pre informácie na disponovanie a využitie zariadenia.

- Neodporúčame využívať toto zariadenie v nevykurovanej, studenej miestnosti. (napr.: garáž, sklad, prístavba, prístrešok, v exteriéri atď...)

Aby ste dosiahli najlepší možný výkon a bezproblémový chod spotrebiča, je veľmi dôležité podrobne si prečítať tento návod. Nedodržanie týchto pokynov môže zrušiť vaše právo na bezplatný servis počas záručnej doby.

Uchovajte tieto pokyny na bezpečnom mieste pre ľahšie použitie.

Originálne náhradné súčiastky budú dodávané po dobu 10 rokov od kúpy výrobku.

Tento spotrebič by nemali používať osoby so zníženou fyzickou, senzorickou alebo mentálnou spôsobilosťou alebo s nedostatočnými skúsenosťami a poznatkami. Tieto osoby môžu spotrebič používať len pod dohľadom osoby zodpovednej za ich bezpečnosť, alebo ak ich zodpovedná osoba poučila o správnom používaní spotrebiča.

Deti by mali byť pod dozorom, aby sa nehrali so spotrebičom.

Elektrické požiadavky

Pred zasunutím zástrčky do zásuvky v stene sa uistite, že napätie a frekvencia uvedené na výkonovom štítku zodpovedajú zásobovaniu elektrickou energiou.

Odporúčame, aby toto zariadenie bolo zapojené do elektrickej sústavy cez vhodnú zásuvku so spínačom v ľahko dostupnej pozícii.

Zástrčka musí byť po inštalácii prístupná, aby sa umožnilo odpojenie zariadenia od sieťového napájania po inštalácii.

Varovanie! Tento spotrebič musí byť uzemnený.

Opravy elektrických prístrojov môžu vykonávať len kvalifikovaní experti. Ak je sieťový kábel poškodený, tak ho musí vymeniť výrobca alebo zákaznícky servis, aby sa predišlo nebezpečenstvu.

POZOR!

Tento spotrebič pracuje s plynom R 600a, ktorý je ekologicky nezávadný, ale horľavý. Počas prepravy a zostavovania produktu dbajte na to, aby ste nepoškodili chladiaci systém. Ak je poškodený chladiaci systém a unikol zo systému plyn, držte zariadenie mimo otvoreného ohňa a na chvíľu vyvetrajte miestnosť.

VAROVANIE – Nepoužívajte mechanické prístroje alebo iné prostriedky na urýchľovanie rozmrazovacieho procesu, inak ako odporúča výrobca.

VAROVANIE – Nepoškodte chladiaci okruh.

VAROVANIE – Nepoužívajte elektrické zariadenia vo vnútri priestoru na potraviny, iba ak ide o typy odporúčané výrobcom.

VAROVANIE – Ak je sieťový kábel poškodený, je potrebné, aby ho vymenil výrobca, servisný agent alebo podobne kvalifikovaná osoba, vyhnite sa tak možnému nebezpečenstvu.

Prepravné pokyny

1. Spotrebič musí byť prepravovaný výlučne vo vertikálnej polohe. Obal musí počas prepravy ostať neporušený.

2. Ak bol spotrebič počas prepravy v horizontálnej polohe, nesmiete ho uvádzať do prevádzky najbližšie 4 hodiny, aby sa systém ustálil.

3. Nedodržanie vyššie uvedených pokynov by mohlo mať za následok poškodenie spotrebiča, za ktoré výrobca nebude niesť zodpovednosť.

4. Spotrebič musí byť chránený proti dažďu, vlhkosti a iným poveternostným vplyvom.

Dôležité!

- Kladte dôraz na opatrnosť počas čistenia/údržby spotrebiča, nedotýkajte sa spodku chladiacich kovových vedení na zadnej strane spotrebiča, mohlo by vám to spôsobiť úraz prstov a rúk.
- Nepokúšajte sa sadieť alebo stáť na vrch zariadenia, pretože nie je navrhnuté pre takéto použitie. Mohli by ste sa poraniť alebo poškodiť zariadenie.
- Uistite sa, že elektrický kábel nie je pricviknutý pod zariadením počas presúvania a po presunutí, mohlo by to poškodiť kábel.
- Nedovoľte deťom hrať sa so zariadením alebo s ovládačmi.

Pokyny o montáži

1. Nedržte spotrebič v miestnosti, kde teplota v noci pravdepodobne klesne pod -15 stupňov C (5 stupňov F) a/alebo hlavne v zime, pretože je navrhnutý na prevádzku pri vonkajších teplotách medzi -15 až +43 stupňov C (5 až 109 stupňov F). Pri nižších teplotách spotrebič nemusí fungovať, čoho dôsledkom je zníženie doby skladovania potravín.

2. Neumiestnite spotrebič blízko pri sporákoch alebo radiátoroch, alebo pri priamom slnečnom svetle, pretože to spôsobí mimoriadne poškodenie funkcií spotrebiča. Ak je nainštalovaný pri zdroji tepla alebo mrazničke, zachovajte nasledujúce minimálne bočné vôle:

Od sporákov 30 mm

Od radiátorov 300 mm

Od mrazničiek 25 mm

3. Uistite sa, že okolo spotrebiča je dostatočný priestor na zabezpečenie voľnej cirkulácie vzduchu (**Položka 2**).

• K zadnej časti chladničky položte zadný vetrací kryt na nastavenie vzdialenosti medzi chladničkou a stenou (**Položka 3**).

4. Spotrebič by sa mal umiestniť na hladký povrch. Dve predné nohy sa dajú nastaviť podľa požiadaviek. Aby ste zabezpečili, že váš spotrebič stojí rovno, nastavte dve predné nohy otočením v smere alebo proti smeru hodinových ručičiek, kým sa nezabezpečí pevný kontakt s podlahou. Správne nastavenie nôh bráni nadmernej vibrácii a hluku (**Položka 4**).

5. Odkazujeme na časť „Čistenie a údržba“, kde nájdete popis, ako pripraviť spotrebič na používanie.

Riadenie a nastavenie teploty

Na teplotu mrazničky vplyva tlačidlo nastavenia teploty v mrazničke (**odporúča sa pozícia 2 alebo 3**).

Všeobecne je táto teplota pod -18°C . Nižšie teploty môžete získať nastavením gombíku termostatu smerom k polohe MAX.

Odporúčame, aby ste teplotu skontrolovali pomocou teplomera, aby ste zaistili, že sa priechytky pre uskladnenie udržuujú pri požadovanej teplote. Nezabudnite skontrolovať údaje okamžite, pretože teplota teplomera bude po jeho vybratí z mrazničky veľmi rýchlo stúpať.

Nezabudnite tiež, že zakaždým, čo sa otvoria dvere, začne unikať studený vzduch a začne stúpať vnútorná teplota. Preto nikdy nenechávajte otvorené dvere a zaistite, že sa po vložení alebo vybratí potravín okamžite zatvorili.

Pred prevádzkou

Záverečná kontrola

Pred začatím používania mrazničky skontrolujte či:

1. Sú nohy nastavené do úplného vyrovnanie.
 2. Vnútro je suché a vzduch môže voľne cirkulovať vzadu.
 3. Vnútro je čisté podľa odporúčania v časti „ČISTENIE A ÚDRŽBA“.
 4. Zástrčka je vsunutá do zásuvky v stene a elektrické napájanie je zapnuté.
- Predchádzajte náhodnému odpojeniu ťuknutím na spínač.

A všimnite si, že:

5. Budete počuť zvuk pri zapnutí kompresora. Aj kvapalina a plyny utesnené v chladiacom systéme môžu vydávať nejaký zvuk, či kompresor je alebo nie je v prevádzke. To je úplne normálne.

6. Na mrazenie čerstvých potravín použite priečinok označený 4 hviezdčkami (odporúča sa druhá polica).

7. Do mrazničky nekladajte priveľké množstvo potravín súčasne. Kvalita potravín sa najlepšie uchová, ak sa hlboko zmrazia v najkratšom možnom čase. Preto sa odporúča neprekračovať kapacitu mrazenia spotrebiča, ktorá je uvedená na „zázname spotrebiča“. Termostatu musí byť nastavený tak, aby sa získal čo najnižšiu teplotu v mrazničke, s rýchleho zmrazovania funkcia aktivovaná a oranžové lampy osvetlenia.

8. Nenapliňte spotrebič hneď po zapnutí. Počkajte, kým sa nedosiahne správna teplota skladovania. Odporúčame skontrolovať teplotu presným teplomerom (Pozrite časť Riadenie a nastavenie teploty)

Dôležitá poznámka:

Ak došlo k výpadku prúdu, neotvárajte dvere. Zmrazené potraviny nebudú ovplyvnené, ak výpadok bude trvať menej ako 19 hodín. Ak výpadok trvá dlhšie, potraviny sa musia skontrolovať a zjesť okamžite alebo sa musia uvariť a potom opätovne zamraziť.

Ovládací panel mrazničky

Položka 5

Ovládací panel nastavuje teplotu v mrazničke a má nasledujúce funkcie:

1 - Oranžová kontrolka - rýchle zmrazenie zapnuté

Pri zapnutí mrazničky nastavenej teploty buton (4) do polohy "rýchleho zmrazenia" pozície, oranžová LED dióda (1) svieti a prístroj bude prebiehať v najnižších teplôt. Oranžová kontrolka prestane svietiť aj po 50 hodinách prevádzky v najnižších teplôt.

2 - Zelená kontrolka - zapnuté napájanie (Napätie)

Rozsvieti sa, keď je zariadenie pripojené k sieti a zostane rozsvietená, kým je dostupné sieťové napájanie. Zelená kontrolka LED neposkytuje informácie o teplote v mrazničke.

3 - Červená kontrolka - Upozornenie na vysokú teplotu

4 - Nastavenie tlačidla teploty

Upozornenie na vysokú teplotu

Po prvom zapnutí zariadenia nebude upozornenie prvých 12 hodín aktívne (červená kontrolka je vypnutá).

Po tomto čase sa červená kontrolka LED (červená kontrolka svieti) môže rozsvietiť v nasledujúcich prípadoch:

- Ak je zariadenie preplnené čerstvými potravinami
 - Ak omylom necháte otvorené dvere.
- V týchto prípadoch zostane červená kontrolka rozsvietená, kým zariadenie nedosiahne predvolenú teplotu.

Ak svieti červená kontrolka, čakajte 24 hodín, kým sa obrátite na autorizovaný servis.

Dôležité:

Vnútorne teploty sa môžu meniť podľa podmienok používania spotrebiča: umiestnenie, vonkajšia teplota, frekvencia otvárania dvier, stupeň plnenia potravinami. Nastavenie teploty sa bude meniť podľa týchto podmienok.

Ak svieti červená kontrolka, čakajte 24 hodín, kým sa obrátite na autorizovaný servis. Mohla by znamenať upozornenie na umiestnenie teplých potravín do mrazničky a/alebo na dvere, ktoré boli ponechané otvorené.

Po 24 hodinách prevádzky by sa mala vypnúť signalizácia vysokej teploty (červená kontrolka).

Funkcia rýchleho zmrazenia

Ak chcete aktivovať funkciu rýchleho zmrazenia, upravte nastavenie teploty do polohy "rýchleho zmrazenia" pozície. Odporúča sa umiestniť potraviny, ktoré chcete zmraziť rýchlejšie v mrazničke 24 hodín po aktivácii funkcie rýchleho zmrazenia. Pri rýchlom zmrazení je aktivovaná vaša chladnička beží na najnižšie nastavenie teploty pre mrazničky. Funkcia rýchleho zmrazenia trvá 50 hodín. Po ukončení, vaša chladnička sa vráti do normálnych podmienok použitia sa nastavenie teploty 3, aj keď je gombík stále zamestnaný u "rýchleho zmrazenia" pozície. Táto funkcia umožňuje na ekodizajn energetických úspor pri rýchle zmrazovanie funkcia nie je z akéhokoľvek dôvodu zrušená. Mraziaca kapacita chladničky sa meria a vyhlásil pri rýchlom zmrazení Funkcia je aktívna.

Skladovanie mrazených potravín

Vaša mraznička je vhodná na dlhodobé skladovanie komerčne zmrazených potravín a môže sa použiť aj na mrazenie a skladovanie čerstvých potravín.

Informácie o skladovaní doma mrazených potravín nájdete v sprievodcovi dobou skladovateľnosti vo vložke dvier.

Ak došlo k výpadku prúdu, neotvárajte dvere. Mrazené potraviny by sa nemali poškodiť, ak výpadok trvá menej ako 19 hodín. Ak je výpadok dlhší, potraviny by sa mali skontrolovať a buď okamžite zjesť, alebo uvariť a potom znova zmraziť.

Mrazenie čerstvých potravín

Dodržiavajte nasledujúce pokyny, aby ste dosiahli najlepšie výsledky.

Nemrazte príliš veľké množstvo naraz. Kvalita potravín sa najlepšie zachová, keď sa mrazia správne až do vnútra, čo možno najrýchlejšie. Ak sa veľké množstvo čerstvých potravín sa bude mrazené, nastavte ovládací gombík do "rýchleho zmrazenia" pozíciu s 24 hodín pred uvedením čerstvé potraviny v rýchlom zmrazení priestore.

Dôrazne sa odporúča, aby gombík u "rýchleho zmrazenia" pozícii aspoň 24 hodín zmraziť maximálne také množstvo čerstvých potravín je deklarovaný ako Mraziaci výkon. Zvláštna opatrnosť nemiešať mrazené a čerstvé potraviny.

Malé množstvá jedla až do 1/2 kg. (1 lb) môžete zmrazovať bez funkcie rýchleho mrazenia.

Budte obzvlášť opatrní, aby ste nezmiešali mrazené a čerstvé potraviny.

Tvorba kociek ľadu (Položka 6)

Naplňte podnos na kocky ľadu vodou do 3/4 a položte ho do mrazničky. Zamrznuté podnosy uvoľníte rúčkou lyžice alebo podobným nástrojom; nikdy nepoužívajte predmety s ostrými hranami ako nože alebo vidličky.

Poznávanie spotrebiča (Položka 1)

- 1 - Ovládací panel, zobrazovací a nastavovací panel
- 2 - Držiak tácky na ľad a tácka na ľad
- 3 - Priestor pre rýchle zmrazovanie
- 4 - Priestory pre uchovávanie mrazených potravín
- 5 - Nastaviteľné predné nôžky

Rozmrazovanie

Priečinok mrazničky rozmrazujte aspoň dvakrát do roka alebo v prípade, ak je vrstva ľadu príliš hrubá.

- Vytváranie ľadu je normálne.
- Ľad sa vytvára hlavne na hornej strane priečinka je prirodzeným javom a neovplyvňuje dobré fungovanie spotrebiča.
- Spotrebič sa odporúča rozmrazovať v prípade, ak nie je príliš veľká kvalita mrazených potravín.
- Pred rozmrazovaním nastavte tlačidlo pre nastavenie termostatu do maximálnej polohy, aby ste silno zmrazili potraviny. Počas tejto doby nemusí byť teplota v chladničke veľmi nízka.

- Zariadenie odpojte
- Vyberte mrazené potraviny, zabaľte ich do niekoľkých vrstiev papiera a umiestnite ich na studené miesto.
- Nechajte otvorené dvere pre rýchle rozmrazovanie a vnútorné nádoby naplňte teplou vodou (max. 80°C).

Na odstránenie námrazy nepoužívajte špicaté predmety ani predmety s ostrou hranou ako nože alebo vidličky.

Na rozmrazovanie nikdy nepoužívajte sušiče vlasov, elektrické ohrievače alebo iné elektrické spotrebiče.

Keď sa rozmrazovanie dokončilo, zatvorte rozmrazovaný priečinok a poriadne vysušte vnútornú časť.

(Položka 7 a 8).

Čistenie a údržba

1. Pred čistením odporúčame vypnúť spotrebič zo zástrčky a odtrhnúť elektrickú šnúru.
2. Nikdy na čistenie nepoužívajte žiadne ostré predmety alebo brúsne látky, mydlo, domáce čističlá, čistiace prostriedky alebo voskové politúry.
3. Použite teplú vodu na čistenie spotrebiča a vytrite ho do sucha.
4. Použite sacie plátno a rozmiešajte roztok jednej čajovej lyžičky sódy bikarbóny a pol litra vody. Umyte interiér a vytrite do sucha.
5. Ak sa spotrebič nechystáte používať dlhšie obdobie, vypnite ho, odstráňte všetky potraviny, vyčistite ho a nechajte dvere pootvorené.
6. Odporúčame vyleštiť kovové časti interiéru (napr.: dvere, mriežky...) so silikónovým voskom (leštadlo na karosériu) na ochranu farbených častí.
7. Všetok prach, ktorý sa nazbiera na chladiči, ktorý je umiestnený na zadnej strane spotrebiča, by sa mal odstrániť vysávačom raz ročne.
8. Skontrolujte či je tesnenie dverí čisté a zbavené čiastočiek potravín.
9. Nikdy:
 - Nečistite spotrebič s nevhodnými materiálmi; ako sú ropné produkty.
 - Nepodrobujte ho vysokým teplotám,
 - Neleštite, neutierajte atď. s brúsnyimi materiálmi.
10. Pravidelne musíte odstraňovať nadmerne vytvorený ľad. Veľké nahromadenie ľadu zhorší výkonnosť mrazničky.
11. Ak chcete odstrániť zásuvku, vytiahnite ju tak ďaleko, ako je to možné, nakloňte ju nahor a potom úplne vytiahnite.

Premiestnenie dvier

Postupujte podľa číselného poradia (Položka 9).

Čo sa má a čo sa nesmie robiť

- Urobte-** Pravidelne kontrolujte obsah mrazničky.
- Urobte-** Pravidelne čistite a odmrázajte váš spotrebič (Pozrite „Rozmrázovanie“)
- Urobte-** Uchovávajte potraviny čo najkratší čas a dodržujte dátumy "Spotrebovať pred" a „Použiť do“.
- Urobte-** Skladujte komerčne zmrazené potraviny v súlade s pokynmi uvedenými na obale.
- Urobte-** Vždy si vyberajte vysokokvalitné čerstvé potraviny a uistite sa, že sú pred mrazením starostlivo čisté.
- Urobte-** Pripravujte čerstvé potraviny na mrazenie v malých porciách, aby sa zabezpečilo rýchlo mrazenie.
- Urobte-** Zabalte mrazené potraviny okamžite po nákupe a vložte ich čo najskôr do mrazničky.
- Urobte-** Rozdeľte potraviny do priecinkov a vyplňte kartu ich obsahu. Toto vám umožní rýchle nájdenie potravín a vyhnete sa tak nadmernému otváraniu dverí, čím ušetríte elektrinu.
- Nerobte-** Nenechávajte dvere otvorené dlhý čas, pretože to spôsobí drahšiu prevádzku spotrebiča a nadmernú tvorbu ľadu.
- Nerobte-** Na odstránenie ľadu nepoužívajte predmety s ostrými hranami ako nože alebo vidličky.
- Nerobte-** Nevkladajte do spotrebiča horúce potraviny. Najprv ich nechajte vychladnúť.
- Nerobte-** Do mrazničky nevkladajte fľaše s kvapalinami alebo uzavreté konzervy obsahujúce sódové kvapaliny, pretože môžu vybuchnúť.
- Nerobte-** V spotrebiči neskladujte jedovaté alebo iné nebezpečné látky. Spotrebič bol navrhnutý len na skladovanie jedlých potravín.
- Nerobte-** Neprekračujte maximálne mraziace nosnosti pri mrazení čerstvých potravín.

- Nerobte-** Nekonzumujte zmrzlinu a vodové zmrzliny priamo z mrazničky. Nízka teplota môže spôsobiť omrzliny na perách.
- Nerobte-** Nezmrazujte šumivé nápoje.
- Nerobte-** Nepokúšajte sa skladovať mrazené potraviny, ktoré sa rozpustili, mali by sa zjesť do 24 hodín alebo uvariť a znovu zmraziť.
- Nerobte-** Nevyberajte tovar z mrazničky mokrými rukami.
- Nerobte-** Nezatvárajte dvere pred opätovným nasadením krytu priečinku pre rýchle zmrazovanie.

Riešenie problémov

Ak spotrebič nefunguje, keď je zapnutý, skontrolujte,

- či je zástrčka správne vložená do zásuvky a či je zapnutý napájací zdroj. (Ak chcete skontrolovať napájací zdroj k zásuvke, pripojte iný spotrebič)
- Či poistka vyhorela/sa prerušovač rozpojil/sa hlavný rozvodový spínač vypol.
- Či bolo riadenie teploty nastavené správne.
- Či je nová zástrčka správne zapojená, ak ste vymenili namontovanú, lisovanú zástrčku.

Ak spotrebič po tom všetkom stále nepracuje, kontaktujte obchodného zástupcu, od ktorého ste ho zakúpili.

Zabezpečte vykonanie vyššie uvedených kontrol, pretože, ak sa nezistí žiadna chyba, môže sa to spoplatniť.

Informácie o prevádzkovom hluku

Aby sa udržala zvolená teplota v konštantnom stave, váš spotrebič príležitostne zapne kompresor.

Výsledné zvuky sú celkom normálne.

Akonáhle spotrebič dosiahne prevádzkovú teplotu, hlasitosť zvukov sa automaticky zníži.

Bzučivý zvuk vydáva motor (kompresor).

Keď je motor zapnutý, zvuk môže krátko narastať.

Bublavé, klokotavé alebo vírivé zvuky vydáva chladiivo, pretože preteká cez trubky.

Vždy, keď termostat zapne/vypne motor, môžete počuť **klopkajúce zvuky**.

Klopkajúci zvuk sa môže vyskytnúť, keď

- je systém automatického rozmrazovania aktívny

- sa spotrebič ochladzuje alebo zohrieva (rozpínavosť materiálu).

Ak sú tieto zvuky nadmerne hlasné, príčiny pravdepodobne nie sú vážne a zvyčajne sa veľmi ľahko odstránia.

Spotrebič nie je vyrovnaný

Použite výškovo nastaviteľnú nožičku alebo nožičku podložte.

Zariadenie nie je voľne stojace

Premiestnite zariadenie ďalej od kuchynských jednotiek alebo iných zariadení.

Sú uvoľnené alebo zaseknuté police


Skontrolujte odnímateľné komponenty a v prípade potreby ich znovu upevnite.

Varovanie!

Nepokúšajte sa sami opravovať elektrické komponenty, prípadne iné príslušenstvo.

Akákoľvek oprava vykonaná neskúsenou osobou je nebezpečná pre užívateľa a môže viesť k strate záruky.



Symbol  na výrobku alebo na balení označuje, že s týmto výrobkom sa nesmie manipulovať ako s odpadom z domácnosti. Namiesto toho by ste ho mali odovzdať na príslušnom zbernom mieste, kde sa zabezpečuje recyklácia elektrických a elektronických zariadení. Zabezpečením správnej likvidácie tohto výrobku pomôžete zabrániť potenciálne nebezpečným negatívnym následkom na životné prostredie a zdravie ľudí, ktoré by inak mohla spôsobiť nevhodná likvidácia tohto výrobku. Ak chcete získať podrobnejšie informácie o recyklácii tohto výrobku, obráťte sa na miestny mestský úrad, na spoločnosť, ktorá sa zaoberá likvidáciou odpadu z domácností, alebo na predajňu, v ktorej ste výrobok kúpili.

Blahopřejeme k výběru kvalitního spotřebiče BEKO který je určen pro mnoho let služby.

Bezpečnost především!

Nezapojte spotřebič do napájecí sítě, dokud neodstraníte všechny obalové a přepravní materiály.

- Před zapnutím nechte nejméně 4 hodin stát, aby se usadil olej v kompresoru po přepravě v horizontální poloze.

- Pokud likvidujete starý spotřebič s zámkem nebo západkou na dveřích, ujistěte se, že je v bezpečném stavu a dětem nehrozí uvíznutí uvnitř.

- Tento spotřebič musí být používán pro stanovený účel.

- Neodkládejte spotřebič do ohně. Váš spotřebič obsahuje v izolační vrstvě látky bez CFC, které jsou hořlavé. Doporučujeme kontaktovat místní úřady pro informace o likvidaci a dostupných zařízeních.

- Nedoporučujeme používat tento spotřebič v nevytápěné chladné místnosti. (např. garáž, sklad, přístavba, kůlna, hospodářské stavení atd.)

Pro co nejlepší výkonnost a bezporuchovou službu vašeho spotřebiče je velmi důležité pozorně si přečíst tyto pokyny. Nedodržením těchto pokynů se vystavujete riziku zrušení možnosti servisu zdarma po dobu záruční lhůty.

Uschovejte tyto pokyny na bezpečném místě pro snadné vyhledání.

Tento spotřebič by neměly používat osoby se sníženou fyzickou, sensorickou nebo mentální způsobilostí a nebo s nedostatečnými zkušenostmi a poznatky. Tyto osoby mohou spotřebič používat jen pod dohledem osoby zodpovědné za jejich bezpečnost, a nebo pokud je zodpovědná osoba poučila o správném používání spotřebiče.

Děti by měly být pod dozorem, aby si nehrály se spotřebičem.

Elektrické požadavky

Před zasunutím zásuvky do sítě se ujistěte, že napětí a kmitočet na štítku uvnitř spotřebiče odpovídají vašemu zdroji. Doporučujeme připojit tento spotřebič do sítě přes vhodně vypínanou a zajištěnou zásuvku na snadno dostupném místě. Zásuvka musí být přístupná po instalaci tak, aby se umožnilo odpojení spotřebiče od napájení po instalaci.

Upozornění! Tento spotřebič musí být uzemněn.

Opravy elektrického vybavení smí provádět jen kvalifikovaný odborník. Dojde-li k poškození napájecího kabelu, výrobce nebo zákaznický servis jej musí vyměnit, aby se předešlo nebezpečí.

POZOR!

Tento spotřebič používá R600a, což je plyn, který je šetrný k životnímu prostředí, ale je hořlavý. Během přepravy a upevňování výrobku je třeba dbát zvýšené opatrnosti, aby nedošlo k poškození chladicí soustavy. Pokud je chladicí soustava poškozená a ze systému uniká plyn, udržte výrobek mimo otevřený oheň a nějakou dobu v místnosti větrejte.

UPOZORNĚNÍ – Nepoužívejte mechanické nástroje nebo jiné prostředky k urychlení procesu odmrazení s výjimkou těch, které doporučuje výrobce.

UPOZORNĚNÍ – Nepoškozujte chladicí obvod.

UPOZORNĚNÍ – Nepoužívejte elektrické spotřebiče uvnitř prostor na skladování potravin spotřebiče, pokud se nejedná o typy doporučené výrobcem.

UPOZORNĚNÍ – V případě poškození napájecího kabelu je nutno jej nechat vyměnit u výrobce, jeho servisního zástupce či podobně kvalifikované osoby, aby se předešlo nebezpečí.

Pokyny pro přepravu

1. Spotřebič se smí přenášet jen ve svislé pozici. Obaly musí zůstat během přepravy neporušené.

2. Pokud byl spotřebič během přepravy umístěn vodorovně, nesmí být používán po vybalení nejméně 4 hodin, aby se systém mohl ustálit.

3. Nedodržení výše uvedených pokynů by mohlo vést k poškození spotřebiče, za které výrobce nezodpovídá.

4. Spotřebič je třeba chránit proti dešti, vlhku a jiným atmosférickým vlivům.

Důležité upozornění!

- Při čištění/přenášení spotřebiče se nedotýkejte spodní části kovových kabelů kondenzátoru na zadní straně spotřebiče, mohlo by dojít k poranění prstů a rukou.
- Nepokoušejte se stoupat nebo sedat na horní okraj spotřebiče, jelikož na toto není určen. Mohli byste se zranit nebo poškodit spotřebič.
- Ujistěte se, že napájecí kabel není zachycen pod spotřebičem během a po přesouvání, mohlo by to poškodit kabel.
- Nedovolte dětem hrát si se spotřebičem nebo manipulovat s ovladači.

Pokyny pro instalaci

1. Nepřechovávejte spotřebič v místnosti, kde může teplota klesnout pod -15°C v noci a/nebo zejména v noci, jelikož je určen na provoz v teplotách mezi -15 a $+43$ stupni Celsia. Při nižších teplotách nemusí spotřebič fungovat, čímž poklesne doba skladovatelnosti potravin.

2. Neumísťujte spotřebič do blízkosti sporáků nebo radiátorů nebo na přímé sluneční světlo, dojde tím ke zvýšenému napětí funkcí spotřebiče. Při instalaci v blízkosti zdroje tepla nebo mrazničky udržujte minimální odstupy po stranách:

- Od sporáků 30 mm
- Od radiátorů 300 mm
- Od mrazniček 25 mm

3. Ujistěte se, že kolem spotřebiče je dostatečný odstup tak, aby se zaručil volný oběh vzduchu (**Položka 2**).

• Umístěte zadní odvětrávací víko na zadní stranu vaší chladničky, abyste viděli vzdálenost mezi chladničkou a stěnou (**Položka 3**).

4. Spotřebič by měl být umístěn na hladkém povrchu. Obě přední nožky lze nastavit dle potřeby. Abyste měli jistotu, že váš spotřebič stojí vzpřímeně, nastavte obě přední nožky tak, že jimi otočíte doprava nebo doleva, dokud není zajištěn pevný kontakt s podlahou. Správným nastavením nožek předejdete přílišným vibracím a hluku (**Položka 4**).

5. Informace pro přípravu spotřebiče na použití naleznete v oddíle „Čištění a údržba“.

Kontrola a nastavení teploty

Na teplotu mrazničky má vliv tlačítko nastavení teploty mrazničky (**doporučena je poloha 2 nebo 3**).

Obecně platí, že tato teplota je pod -18° . Nižších teplot lze dosáhnout nastavením tlačítka termostatu směrem k poloze MAX. Doporučujeme kontrolovat teplotu teploměrem, abyste měli jistotu, že skladovací prostory mají stále požadovanou teplotu. Nezapomínejte zjistit hodnotu okamžitě, protože teplota na teploměru stoupne velmi rychle poté, co jej vyjmete z mrazničky. Nezapomínejte, že při každém otevření dveří uniká studený vzduch ven a teplota uvnitř stoupne. Proto nikdy nenechávejte dveře otevřené a zajistěte, aby se zavřely okamžitě po vyjmutí či vložení potravin.

Před zahájením provozu

Poslední kontrola

Než začnete používat mrazničku, zkontrolujte, zda:

1. Nožky byly seřízeny pro ideální rovnováhu.
2. Vnitřek je suchý a vzduch může vzadu volně cirkulovat.
3. Vnitřek je čistý dle doporučení v oddíle „ČIŠTĚNÍ A ÚDRŽBA“.
4. Zásuvka byla zasunuta do sítě a elektřina je zapnutá. Předcházejte náhodnému odpojení tím, že spínač přelepíte.

A nezapomeňte, že:

5. Uslyšíte hluk při startování kompresoru. Kapalina a plyny uzavřené v chladicí soustavě mohou dělat další hluk, ať je kompresor v chodu, nebo není. Je to zcela normální.

6. Ke zmrazení čerstvých potravin použijte přihrádku se 4 hvězdami (doporučena druhá police).

7. Nevkládejte do mrazničky příliš velké množství potravin najednou. Kvalita potravin se zachová, pokud se hloubkově zmrazí v co nejkratší době. Proto se doporučuje nepřekračovat kapacitu mrazničky uvedenou v „Záznamu spotřebiče“. Tlačítko termostatu musí být nastaveno tak, aby se v mrazničce dosáhlo nejnižší možné teploty, k čemuž se aktivuje funkce rychlé mražení a rozsvítí se oranžová kontrolka.

8. Nezaplňujte spotřebič ihned po jeho zapnutí. Počkejte na dosažení správné skladovací teploty. Doporučujeme kontrolovat teplotu přesným teploměrem (viz: Kontrola a nastavení teploty).

Důležitá poznámka:

Dojde-li k výpadku elektrické energie, neotvírejte dveře. Zmrazené potraviny nebudou poškozeny, pokud výpadek trvá méně než 19 hodin. Pokud je výpadek delší, pak potraviny zkontrolujte a buď okamžitě snězte, nebo je uvařte a pak znovu zmraďte.

Ovládací panel mrazničky

Položka 5

Ovládací panel upravuje teplotu v mrazničce a má následující funkce:

1 - Oranžová kontrolka - rychlé zmražení zapnuto

Když zapnete mrazničku, nastavte tlačítko nastavení teploty (4) do pozice „RYCHLÉ MRAZENÍ“, rozsvítí se oranžová kontrolka LED (1) a spotřebič se spustí při nejnižší teplotě. Oranžová kontrolka LED se vypne po 50 hodinách provozu při nejnižší teplotě.

2 - Zelená kontrolka - Napětí zapnuto (napětí)

Svítil, když je spotřebič připojen k síti, a zůstane svítit, dokud je dostupné napájení. Zelená kontrolka neposkytuje informace o teplotě uvnitř mrazničky.

3 - Červená kontrolka - Alarm na vysokou teplotu

4 - Tlačítko nastavení teploty

Alarm vysoké teploty

Po prvním zapnutí spotřebiče není alarm aktivní 12 hodin (červená kontrolka nesvítí).

Po této době se může červená kontrolka rozsvítit v následujících případech:

- Pokud spotřebič přeplníte čerstvými potravinami
- Pokud dlouho necháte otevřená dvířka.

V těchto případech zůstane červená kontrolka svítit, dokud spotřebič nedosáhne předvolené teploty.

Pokud svítí červená kontrolka, počkejte 24 hodin, než kontaktujete autorizovaný servis.

Důležité:

Váš výrobek byl navržen k provozu při teplotě v rozpětí -15 °C až +43 °C.

Vnitřní teploty s mohou lišit podle podmínek používání spotřebiče, jako např.: umístění, okolní teplota, četnost otevírání dvířek, stupeň zaplnění jídlem. Nastavení teploty bude změněno podle těchto podmínek.

Pokud svítí červená kontrolka, počkejte 24 hodin, než kontaktujete autorizovaný servis.

Může se to stát vložením teplých potravin do mrazničky a/nebo dvířek nechaných v otevřené pozici.

Za 24 hod. by měl alarm hlásící vysokou teplotu (červená kontrolka) ustát.

Funkce rychlého zmrazení

Pro aktivaci funkce RYCHLÉ MRAŽENÍ nastavte tlačítko nastavení teploty do pozice "RYCHLÉ MRAŽENÍ". Doporučujeme, abyste potraviny, které chcete zmrazit rychleji, vložili do mrazničky 24 hodin po aktivaci funkce rychlého mražení. Jakmile se rychlé mražení aktivuje, vaše chladnička se spustí při nejnižší teplotě nastavené pro mrazničku. Funkce rychlého mražení trvá nejvýše 50 hodin. Po ukončení se chladnička přepne do normálního stavu s nastavením teploty 3, a to i když je tlačítko stále nastavené na pozici "RYCHLÉ MRAŽENÍ". Tato funkce umožňuje úsporu energie, není-li funkce rychlého mražení z nějakého důvodu zrušena. Mrazící kapacita vaší chladničky je změřena a deklarována během aktivace funkce rychlého mražení.

Skladování zmražených potravin

Vaše mraznička je vhodná na dlouhodobé uchovávání běžně dostupných zmražených potravin a lze ji též použít na zmrazení a uskladnění čerstvých potravin.

Před uskladněním doma zmražených čerstvých potravin zkontrolujte návod na délku skladování na výplni dvířek.

Dojde-li k výpadku elektrické energie, neotvírejte dveře. Zmrzlé potraviny by měly zůstat nepoškozeny, pokud závada trvá necelých 19 hodin. Pokud je výpadek delší, pak by měly být potraviny zkontrolovány a buď ihned upraveny, nebo uvařeny a pak znovu zmrazeny.

Mražení čerstvých potravin

Pro dosažení nejlepších výsledků prosím dodržujte následující pokyny.

Nezmrazujte příliš velké množství najednou. Množství potravin se nejlépe uchovává, pokud se zmrazí hloubkově a co nejrychleji.

Pokud má dojít ke zmrazení velkého množství čerstvých potravin, nastavte ovládací tlačítko do pozice "RYCHLÉHO MRAŽENÍ" max. 24 hodin před vložením potravin do prostoru pro rychlé mražení.

Doporučujeme mít zapnutý spínač v poloze "RYCHLÉHO MRAŽENÍ" nejméně 24 hodin, abyste zmrazili maximální množství čerstvých potravin udané jako mrazící kapacita. Dávejte zvýšený pozor, abyste nesmísili již zmrzlé a čerstvé potraviny.

Nezapomeňte vrátit tlačítko termostatu zpět do předchozí polohy po zmrazení potravin. Malá množství do ½ kg lze zmrazit bez funkce rychlého zmražení.

Dávejte zvýšený pozor, abyste nesmísili již zmrzlé a čerstvé potraviny.

Tvorba ledových kostek (Položka 6)

Zaplňte podnos na kostky ledu ze ¾ vodou a umístěte jej do mrazničky. Zmrzlé podnosy uvolněte koncem lžičky nebo podobným nástrojem; nepoužívejte ostré předměty, jako jsou nože nebo vidličky.

Seznámení s vaším spotřebičem

(Položka 1)

- 1 - Ovládací panel, displej a nastavení
- 2 - Podpěra podnosu na led a podnos na led
- 3 - Prostor pro rychlé zmrazení
- 4 - Přihrádky pro uchovávání zmražených potravin
- 5 - Nastavitelné přední nožky

Odmrazování

Prostor mrazničky odmrázujte nejméně dvakrát ročně nebo po nahromadění vrstvy ledu.

- Hromadění ledu je normální jev.
- Nahromadění ledu, zejména v horní části prostoru, je přirozený jev a neovlivňuje správnou funkci spotřebiče.
- Doporučujeme odmrázovat spotřebič, když není obsah mražených potravin příliš velký.
- Před odmrážením nastavte tlačítko nastavení termostatu na maximální pozici pro silné zmrazení potravin. Během této doby nesmí být teplota v chladničce příliš nízká.
 - Odpojte spotřebič ze sítě;
 - Vyjměte mražené potraviny, zabalte je do několika listů papíru a odložte je na chladné místo.
 - Nechte dvířka otevřená pro rychlejší odmrážení a vložte dovnitř nádoby s teplou vodou (max. 80°C).

Námrazu neodstraňujte špičatými nebo ostrými předměty, jako jsou nože nebo vidličky.

Nepoužívejte sušiče na vlasy, elektrické radiátory nebo jiné elektrické spotřebiče na odmrážení.

Po skončení odmrážování zavřete díl pro odmrážování a vnitřek důkladně vysušte
(Položka 7 a 8).

Čištění a péče

1. Doporučujeme vypnout přístroj ze sítě a vyjmout hlavní zásuvku, než přistoupíte k čištění.

2. Nikdy nepoužívejte ostré předměty či brusné látky, mýdlo, domovní čistič, odmašťovač či voskové čisticí prostředky.

3. Používejte vlažnou vodu pro vyčištění skříně a otřete ji pak dosucha.

4. Používejte vlhký hadřík namočený do roztoku jedné čajové lžičky sody bikarbony na půl litru vody na vyčištění vnitřku, pak jej dosucha otřete.

5. Pokud spotřebič delší dobu nebudete používat, vypněte jej, vyjměte všechny potraviny, vyčistěte jej a nechte dveře otevřené.

6. Doporučujeme vyčistit kovové součásti výrobku (např. vnější část dvířek, posuvné části) silikonovým voskem (autoleštidlem) pro ochranu vysoce kvalitního povrchového nátěru.

7. Prach, který se usadí na kondenzátoru, který je umístěn na zadní straně spotřebiče, by měl být jednou ročně odstraněn vysavačem.

8. Pravidelně kontrolujte těsnění dvířek, abyste zajistili jejich čistotu a nezanesení částicemi potravin.

9. Nikdy:

- Nečištějte spotřebič nevhodnými materiály; tzn. výrobky na bázi petroleje.
- Jej nevystavujte vysokým teplotám.
- Nedrhňte, nebruste atd. brusnými materiály.

10. Přebytečné nahromadění ledu doporučujeme pravidelně odebírat. Velké nahromadění ledu snižuje výkonnost mrazničky.

11. Pro vyjmutí zásuvky ji vytáhněte co nejdále, nadzvedněte ji a pak ji zcela vytáhněte ven.

Výměna dvířek

Postupujte v číselném pořadí (Položka 9).

Co dělat a co nedělat

- Ano-** Zkontrolujte obsah mrazničky v pravidelných intervalech.
- Ano-** Pravidelně čistěte a odmrazujte spotřebič (viz „Odmrazování“)
- Ano-** Uchovávejte potraviny co nejkratší dobu a dodržujte jejich lhůtu spotřeby, doporučenou dobu spotřeby atd.
- Ano-** Již zmrazené potraviny skladujte v souladu s instrukcemi uvedenými na jejich obalech.
- Ano-** Vždy si vybírejte kvalitní čerstvé potraviny a před jejich zmrazením se ujistěte, zda jsou zcela čisté.
- Ano-** Připravte čerstvé potraviny na zmrazení v malých částech, abyste zajistili rychlé zmrazení.
- Ano-** Zmrazené potraviny obalte ihned po zakoupení a co nejrychleji je vložte do mrazničky.
- Ano-** Potraviny v přihrádkách oddělujte a vypisujte si kartičku s obsahem. Díky tomu rychle najdete potraviny a předejdete přílišnému otevírání dveří, čímž ušetříte elektřinu.
- Ne-** nechte dveře otevřené delší dobu, provoz spotřebiče se tím prodraží a dojde k nadbytečné tvorbě ledu.
- Ne-** používejte ostré předměty jako nože nebo vidličky na odstranění ledu.
- Ne-** vkládejte do spotřebiče teplé potraviny. Nechte je nejprve vychladnout.
- Ne-** vkládejte lahve s kapalinou nebo zavřené plechovky s perlivými kapalinami do mrazničky, mohly by explodovat.
- Ne-** skladujte ve spotřebiči jedovaté nebo nebezpečné látky. Byl určen na skladování jen jedlých potravin.
- Ne-** překračujte maximální náplň mrazničky při zmrazování čerstvých potravin.
- Ne-** konzumujte zmrzlinu a led do vody přímo z mrazničky. Nízká teplota může způsobit na rtech „popáleniny od mrazu“.
- Ne-** zmrazujte šumivé nápoje.
- Ne-** snažte se uchovat zmrzlé potraviny, které rozmrzly; měli byste je sníst do 24 hodin, nebo uvařit a znovu zmrazit.
- Ne-** odstraňujte předměty z mrazničky mokřýma rukama.
- Ne-** zavírejte dvířka před navrácením krytu prostoru pro rychlé zmrazení.

Odstraňování potíží

Pokud spotřebič po zapnutí nefunguje, zkontrolujte;

- Zda je zásuvka správně zasunutá do sítě a je zapnutý přívod elektrické energie. (Pro kontrolu napětí v zásuvce do ní zapojte další spotřebič)
- Zda není vyhozená pojistka/se neaktivoval přerušovač obvodu/hlavní jistič není vypnutý.
- Zda byla správně nastavena funkce ovládání teploty.
- Zda je nová zásuvka správně propojená, pokud jste změnilí osazenou tvarovanou zásuvku.

Pokud spotřebič po provedení těchto kontrol stále nefunguje, kontaktujte prodejce, u něhož jste přístroj zakoupili.

Provedte prosím všechny výše uvedené kontroly, v případě nezjištění závady bude kontrola zpoplatněna.

Informace o provozních hlucích

Aby zvolená teplota zůstala konstantní, zapne váš spotřebič občas kompresor.

Výsledný hluk je zcela normální.

Jakmile spotřebič dosáhne provozní teploty, zvuk se automaticky ztiší.

Hučení vychází z motoru (kompresoru). Když se motor zapne, hluk může na chvíli zesílit.

Bublání, vrčení nebo šplouchání je způsobeno chladicím médiem, které prochází vedením.

Vždy, když termostat zapne/vypne motor, je slyšet **cvaknutí**.

Cvaknutí se může ozývat, když

- je automatický systém odmrazování aktivní.
- se spotřebič zahřívá nebo zchlazuje (rozpínání materiálu).

Pokud tyto zvuky jsou příliš hlasité, příčiny nejsou nejspíš vážné a obvykle se velmi snadno odstraňují.

Spotřebič není vyrovnaný

Použijte nožky pro nastavení výšky nebo vložte pod nožky část obalu.

Spotřebič nestojí volně

Posuňte spotřebič mimo kuchyňské pomůcky nebo jiné spotřebiče.


Police jsou uvolněné nebo zaseknuté

Zkontrolujte odnímatelné součásti a v případě nutnosti je vraťte zpět.

Upozornění!

Nikdy se nepokoušejte opravit přístroj či jeho elektrické součástky sami. Jakákoli oprava provedená neškolenou osobou je nebezpečná pro uživatele a může vést k ukončení záruky.



Symbol  na výrobku nebo na obalu upozorňuje na skutečnost, že spotřebič nepatří do běžného domácího odpadu. Místo toho je třeba jej odevzdat do speciální sběrný odpadu na recyklování elektrických a elektronických zařízení. Vaší podporou správné likvidace pomáháte zabránit potenciálně negativním vlivům na životní prostředí a lidské zdraví, které by jinak nesprávná likvidace výrobku mohla způsobit. Další informace a recyklování tohoto spotřebiče získáte na místním úřadě, ve sběrně odpadu nebo u prodejce, kde jste spotřebič zakoupili.



www.beko.com

4578332526/AI
EN-FR-D-NL-SK-CZ