



Refrigerator-Freezer Type I
Chłodziarko-Zamrażarka Typu I
Chladnička-Mrazák Typu I
Chladnička-Mraznička Typu I
Hűtő-És Fagyasztógép I-Es Típusú
Холодильник-Морозильник Типу I

DSA 25030
DSA 25030 S

WARNING!

In order to ensure a normal operation of your refrigerating appliance, which uses a completely environmentally friendly refrigerant the R600a (flammable only under certain conditions) you must observe the following rules:

- ◆ Do not hinder the free circulation of the air around the appliance.
- ◆ Do not use mechanical devices in order to accelerate the defrosting, others than the ones recommended by the manufacturer.
- ◆ Do not destroy the refrigerating circuit.
- ◆ Do not use electric appliances inside the food keeping compartment, other than those that might have been recommended by the manufacturer.

UWAGA!

Producent nie będzie ponosić odpowiedzialności za szkody wynikłe z niestosowania się do zaleceń zawartych w instrukcji obsługi. Instrukcję obsługi należy przechowywać w bezpiecznym miejscu tak, aby można było z niej korzystać w razie konieczności. Może być ona przydatna również dla innego użytkownika.

UPOZORNĚNÍ!

Aby byl zajištěn normální provoz vaší chladničky, která používá pro životní prostředí zcela neškodné chladicí médium R600a (vznětlivé pouze za určitých podmínek), musíte dodržet následující pravidla:

- ◆ Nebraňte ve volné cirkulaci vzduchu kolem přístroje.
- ◆ Nepoužívejte mechanická zařízení pro zrychlení odmražení kromě těch, která jsou doporučena výrobcem.
- ◆ Nelikvidujte chladicí okruh.
- ◆ Nepoužívejte elektrické spotřebiče uvnitř prostoru pro potraviny kromě těch, která by mohl doporučit výrobce.

VAROVANIE!

Aby sa zabezpečila normálna prevádzka vašej chladničky, ktorá používa úplne ekologicky nezávadné chladivo R600a (horľavé len pri určitých podmienkach), musíte dodržiavať nasledujúce pravidlá:

- ◆ Nebráňte voľnej cirkulácii vzduchu okolo spotrebiča.
- ◆ Nepoužívajte mechanické prístroje na urýchľovanie rozmrazovacieho procesu, iné ako odporúča výrobca.
- ◆ Neporušujte chladiaci okruh.
- ◆ Nepoužívajte elektrické spotrebiče vo vnútri pípacieho priestoru potravín, iné ako tie, ktoré odporúča výrobca.

FIGYELMEZTETÉS!

Az R600a (csak bizonyos körülmények között gyúlékony) teljesen környezetberát gázzal működő hűtőberendezés normális működésének eléréséhez, kövesse a következő szabályokat:

- ◆ Ne gátolja a levegő keringését a készülék körül!
- ◆ Ne használjon más mechanikus eszközöket a gyorsabb felolvasztás érdekében, mint amit a gyártó ajánl!
- ◆ Ne szakítsa meg a hűtőközeg keringésrendszerét!
- ◆ Ne használjon más elektromos eszközöket a mélyfagyasztó részben, mint amiket a gyártó javasolhat!

УВАГА!

Для того, щоб забезпечити нормальну роботу Вашого холодильника, в якому використовується охолоджуючий реагент R600a, абсолютно нешкідливий для навколишнього середовища (займається лише за певних умов), Вам

Необхідно дотримуватися наступних правил..

- ◆ Не створюйте перепон для вільної циркуляції повітря навколо холодильника.
- ◆ Не користуйтеся жодними механічними пристроями та інструментами для видалення льоду під час розморожування холодильника, окрім тих, що рекомендовані виробником.
- ◆ Не допускайте пошкодження охолоджуючого контура.
- ◆ Не встановлюйте всередину холодильного відділення, де зберігаються продукти, жодних електричних пристроїв, окрім тих, що рекомендовані виробником.

EN Index

Safety first /1
Electrical requirements /2
Transportation instructions /2
Installation instructions /2
Getting to know your appliance /3
Suggested arrangement of food in the appliance /3
Temperature control and adjustment /4
Before operating /4
Storing frozen food /4
Freezing fresh food /4
Making ice cubes /5
Defrosting /5
Replacing the interior light bulb /6
Cleaning and care /6
Repositioning the door /6
Do's and don'ts /7
Troubleshooting /8

PL Spis treści

Bezpieczeństwo przede wszystkim /9
Podłączenie do zasilania /10
Instrukcja transportu i ustawienia /10
Montaż /10
Zapoznaj się z Twoim urządzeniem /11
Porady dotyczące przechowywania żywności /11
Regulacja temperatury /12
Uruchamianie /12
Porady dotyczące przechowywania zamrożonej żywności /12
Mrożenie świeżej żywności /13
Jak robić kostki lodu /13
Odmrażanie /13
Wymiana żarówki /14
Czyszczenie urządzenia /14
Zmiana kierunku otwierania drzwi /14
Środki ostrożności w trakcie użytkowania /14
Dźwięki wydawane podczas pracy /15
Usuwanie usterek /15
Odzysk opakowania /16
Odzysk starego urządzenia chłodniczego /16

CZ Obsah

Bezpečnost především /17
Elektrické požadavky /18
Pokyny pro transport /18
Pokyny pro instalaci /18
Seznámení s vaším spotřebičem /19
Doporučené rozložení potravin ve spotřebiči /19
Kontrola a nastavení teploty /19
Před spuštěním /19
Ukládání zmrzlých potravin /20
Mražení čerstvých potravin /20
Tvorba kostek ledu /20
Odmrazování /20
Výměna vnitřní žárovky /21
Čištění a péče /21
Změna pozice dvířek /21
Co dělat a co nedělat /22
Odstraňování potíží /23

SK Index

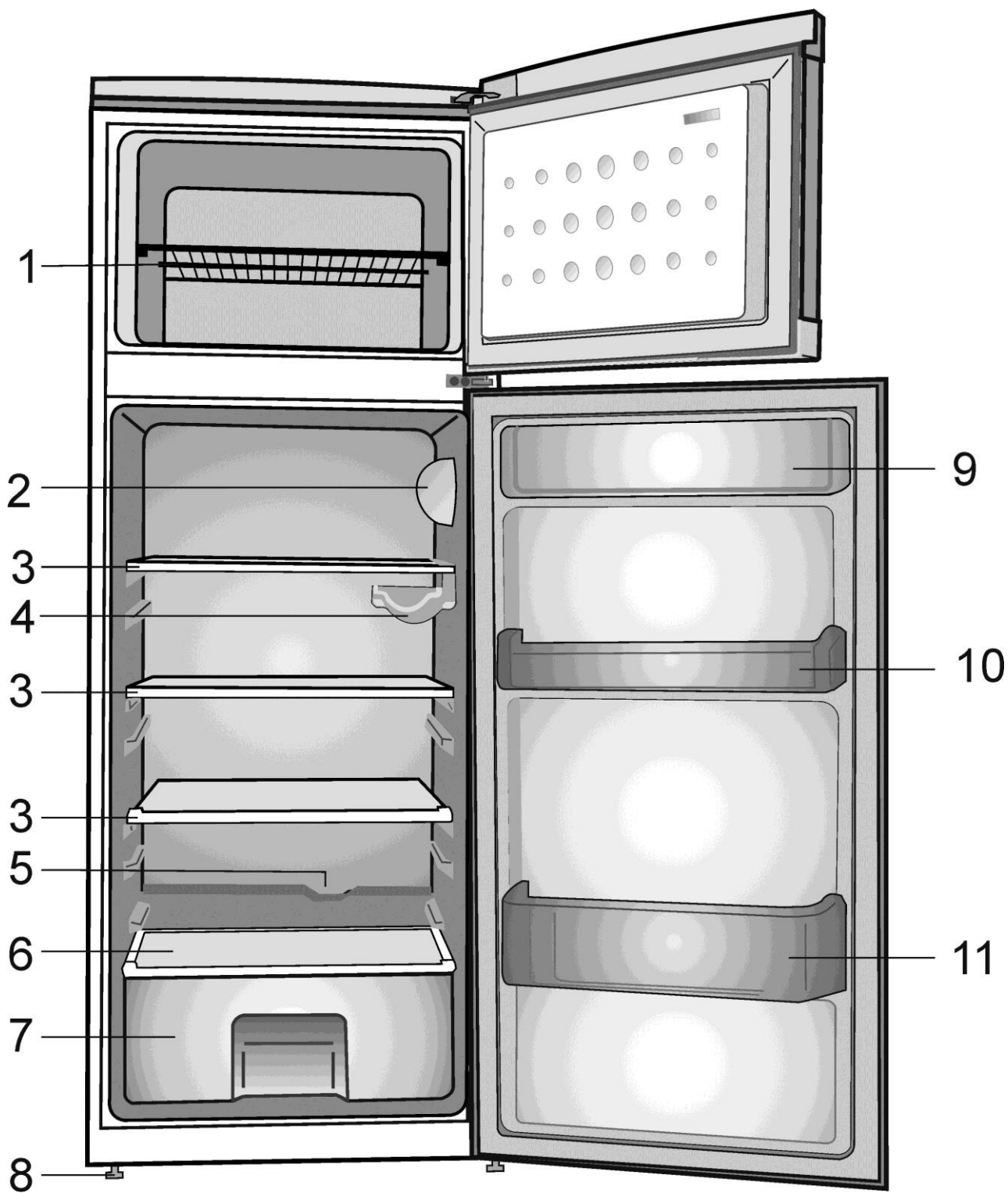
Bezpečnosť nadovšetko /24
Elektrické požiadavky /25
Prepravné pokyny /25
Inštaláčn  pokyny /25
Pozn vanie spotrebiča /26
Navrhnut  rozmiestnenie potrav n v spotrebiči /26
Riadenie a nastavenie teploty /27
Pred uveden m do prev dzky /27
Skladovanie zmrazen ch potrav n /27
Mrazenie  erstv ch potrav n /27
Tvorba kociek ľadu /28
Rozmrazovanie /28
V mena  iarovky vn torn ho svetla /28
 istenie a  dr ba /29
Premiestňovanie dver  /29
 o sa m  a  o sa nesmie robiť /30
Riešenie probl mov /31

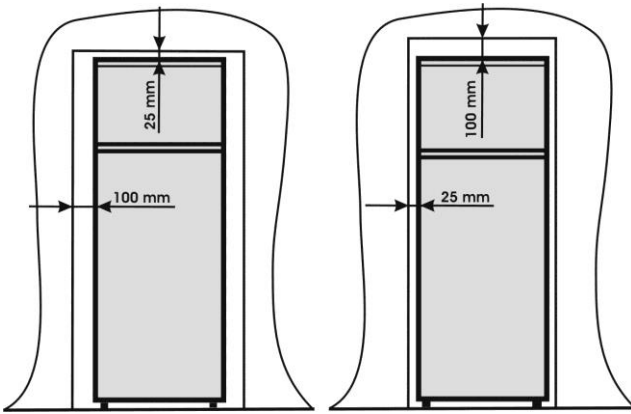
HU Tartalomjegyz k

Els  a biztons g /32
Elektromos követelm nyek /33
Sz llit si utasítások /33
Be zemelési utasítások /33
Ismerje meg k szul k t /34
Javasolt a k szul kben l v   tel elrendez se /34
H m rs klet szab lyoz s  s be ll t s /35
M k dtet s el tt /35
Fagyasztott  tel t rol sa /35
Friss  tel fagyaszt sa /35
J gkock k k sz t se /36
K iolvaszt s /36
Bels  villanyk rte cser je /36
Tiszt t s  s v delem /36
Ajt   thelyez se /37
Tegye  s ne tegye /37
Probl makeres s /38

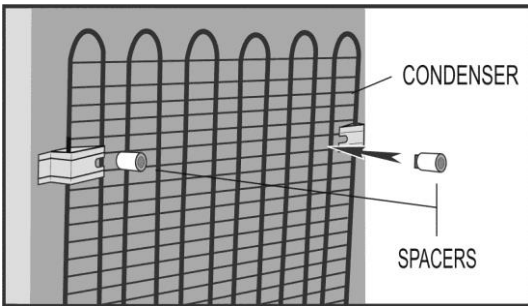
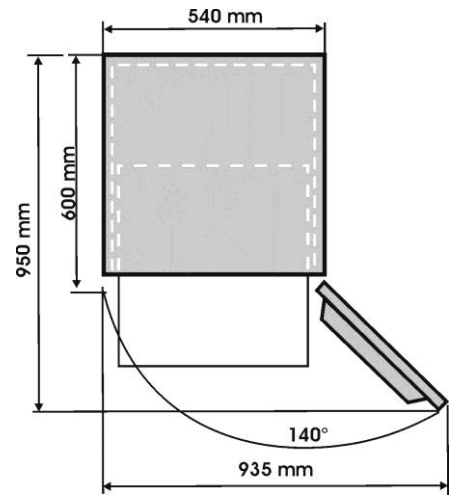
УКР Зміст

Безпека перш за все! /39
Вимоги до електропостачання /40
Інструкція з транспортування; Інструкція з  встановлення /40
Загальн  в домост  про холодильник /41
Рекомендований сп с б розм щення продуктів у холодильник /41
Регулювання температури /42
Перед початком роботи /42
Зберігання заморожених продуктів /42
Заморожування св жих продуктів /42
Заморожування льоду; Розморожування /43
Зам на лампочки всередин  холодильника /44
Чищення холодильника і догляд за ним /44
Перенав шування дверцят /44
Що сл д і чого не можна робити /45
Усунення несправностей /46

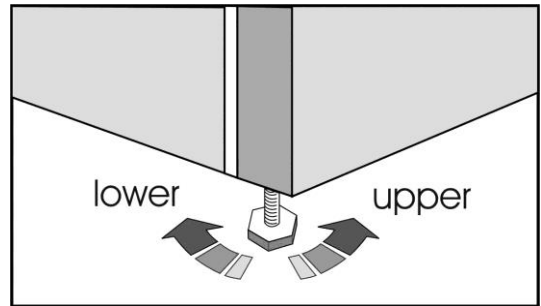




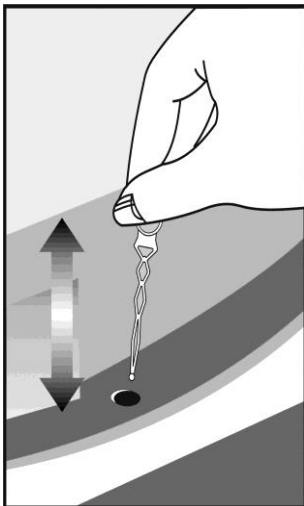
2



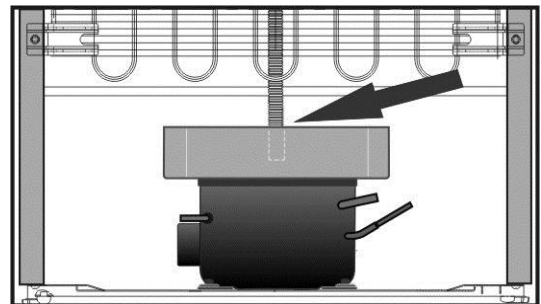
3



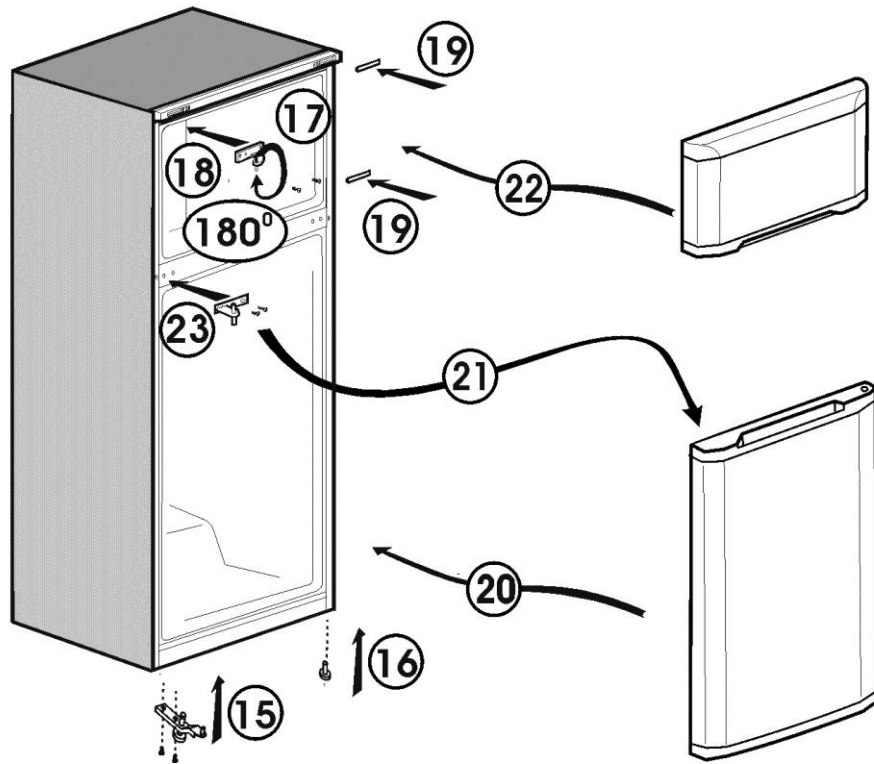
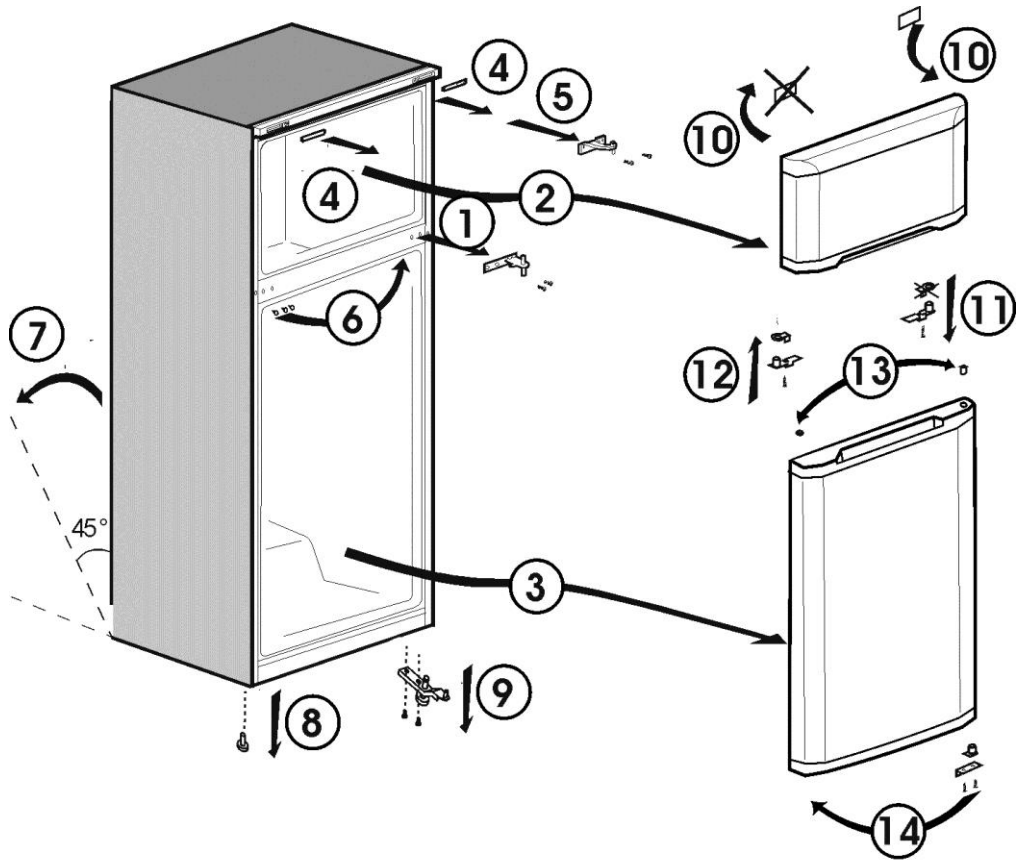
4



5



6



Congratulations on your choice of a BEKO Quality Appliance, designed to give you many years of service.

Safety first!

Do not connect your appliance to the electricity supply until all packing and transit protectors have been removed.

- Leave to stand for at least 4 hours before switching on, to allow compressor oil to settle, if transported horizontally.
- If you are discarding an old appliance with a lock or latch fitted to the door, ensure that it is left in a safe condition to prevent the entrapment of children.
- This appliance must only be used for its intended purpose.
- Do not dispose of the appliance on a fire. Your appliance contains non CFC substances in the insulation which are flammable. We suggest you contact your local authority for information on disposal and available facilities.
- We do not recommend use of this appliance in an unheated, cold room (e.g. garage, conservatory, annex, shed, out-house etc.).

To obtain the best possible performance and trouble free operation from your appliance it is very important to read these instructions carefully. Failure to observe these instructions may invalidate your right to free service during the guarantee period.

Please keep these instructions in a safe place for easy reference.

**This appliance is not intended for use by person with reduced physical, sensory or mental capabilities or lack of experience and knowledge unless they have been given supervision or instruction concerning use of the appliance by a person responsible for their safety.
Children should be supervised to ensure that they do not play with the appliance.**

Electrical requirements

Before inserting the plug into the wall socket make sure that the voltage and the frequency shown in the rating plate inside the appliance corresponds to your electricity supply. We recommend that this appliance is connected to the mains supply via a suitably switched and fused socket in a readily accessible position.

Warning! This appliance must be earthed. Repairs to electrical equipment should only be performed by a qualified technician. Incorrect repairs carried out by an unqualified person are carry risks that may have critical consequences for the user of the appliance.

ATTENTION!

This appliance operates with R600a which is an environmental friendly but flammable gas. During the transportation and fixing of the product, care must be taken not to damage the cooling system. If the cooling system is damaged and there is a gas leakage from the system, keep the product away from open flame sources and ventilate the room for a while.

WARNING - Do not use mechanical devices or other means to accelerate the defrosting process, others than those recommended by the manufacturer.

WARNING - Do not damage the refrigerant circuit.

WARNING - Do not use electrical appliances inside the food storage compartments of the appliance, unless they are of the type recommended by the manufacturer.

WARNING - If the supply cord is damaged, it must be replaced by the manufacturer, its service agent or similarly qualified persons in order to avoid a hazard.

Transportation instructions

1. The appliance should be transported only in an upright position. The packing as supplied must be intact during transportation.
2. If during the transport the appliance, has been positioned horizontally, it must not be operated for at least 4 hours, to allow the system to settle.

3. Failure to comply with the above instructions could result in damage to the appliance, for which the manufacturer will not be held liable.
4. The appliance must be protected against rain, moisture and other atmospheric influences.

Important!

- Care must be taken while cleaning/carrying the appliance not to touch the bottom of the condenser metal wires at the back of the appliance, as this could cause injury to fingers and hands.
- Do not attempt to sit or stand on top of your appliance as it is not designed for such use. You could injure yourself or damage the appliance.
- Make sure that the mains cable is not caught under the appliance during and after moving, as this could damage the cable.
- Do not allow children to play with the appliance or tamper with the controls.

Installation instructions

1. Do not keep your appliance in a room where the temperature is likely to fall below 10 degrees C (50 degrees F) at night and/or especially in winter, as it is designed to operate in ambient temperatures between +10 and +38 degrees C (50 and 100 degrees F). At lower temperatures the appliance may not operate, resulting in a reduction in the storage life of the food.
2. Do not place the appliance near cookers or radiators or in direct sunlight, as this will cause extra strain on the appliance's functions. If installed next to a source of heat or freezer, maintain the following minimum side clearances:
 - From Cookers 30 mm
 - From Radiators 300 mm
 - From Freezers 25 mm
3. Make sure that sufficient room is provided around the appliance to ensure free air circulation (**Item 2**).
 - Put the back airing lid to the back of your refrigerator to set the distance between the refrigerator and the wall (**Item 3**).

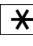

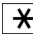

4. The appliance should be positioned on a smooth surface. The two front feet can be adjusted as required. To ensure that your appliance is standing upright adjust the two front feet by turning clockwise or anti-clockwise, until firm contact is secured with the floor. Correct adjustment of feet prevents excessive vibration and noise **(Item 4)**.
5. Refer to "Cleaning and Care" section to prepare your appliance for use.

Getting to know your appliance **(Item 1)**

- 1 - Freezer shelf
- 2 - Thermostat and lamp housing
- 3 - Adjustable Cabinet shelves
- 4 - Wine bottles support
- 5 - Defrost water collection channel - Drain tube
- 6 - Crisper cover
- 7 - Crisper
- 8 - Adjustable front feet
- 9 - Dairy Compartment
- 10 - Jars shelf
- 11 - Bottle shelf

Suggested arrangement of food in the appliance

Guidelines for obtaining optimum storage and hygiene:

1. The fridge compartment is for the short-term storage of fresh food and drinks.
2. The freezer compartment is   rated and suitable for the freezing and storage of pre-frozen food. The recommendation for   storage as stated on the food packaging should be observed at all times.
3. Dairy products should be stored in the special compartment provided in the door liner. In order to freeze fresh food it is recommended to pack the products in aluminium or plastic sheet, cool them in the fresh food compartment and store them on the freezer compartment shelf. It is preferable that the shelf be fixed in the upper side of the freezer compartment.

4. Cooked dishes should be stored in airtight containers.
5. Fresh wrapped produce can be kept on the shelf. Fresh fruit and vegetables should be cleaned and stored in the crispers.
6. Bottles can be kept in the door section.
7. To store raw meat, wrap in polythene bags and place on the lowest shelf. Do not allow to come into contact with cooked food, to avoid contamination. For safety, only store raw meat for two to three days.
8. For maximum efficiency, the removable shelves should not be covered with paper or other materials to allow free circulation of cool air.
9. Do not keep vegetable oil on door shelves. Keep the food packed, wrapped or covered. Allow hot food and beverages to cool before refrigerating. Leftover canned food should not be stored in the can.
10. Fizzy drinks should not be frozen and products such as flavoured water ices should not be consumed too cold.
11. Some fruit and vegetables suffer damage if kept at temperatures near 0°C. Therefore wrap pineapples, melons, cucumbers, tomatoes and similar produce in polythene bags.
12. High-proof alcohol must be stored upright in tightly closed containers. Never store products that contain an inflammable propellant gas (e.g. cream dispensers, spray cans, etc.) or explosive substances. These are an explosion hazard.

Temperature control and adjustment

Operating temperatures are controlled by the thermostat knob and may be set at any position between 1 and 5 (the coldest position).

If the thermostat knob is in position "0" the appliance is off. In this case neither the lamp for inside lighting will light.

The average temperature inside the fridge should be around +5°C (+41°F).

Therefore adjust the thermostat to obtain the desired temperature. Some sections of the fridge may be cooler or warmer (such as salad crisper and top part of the cabinet) which is quite normal. We recommend that you check the temperature periodically with a thermometer to ensure that the cabinet is kept to this temperature. Frequent door openings cause internal temperatures to rise, so it is advisable to close the door as soon as possible after use.

Before operating

Final Check

Before you start using the appliance check that:

1. The feet have been adjusted for perfect levelling.
2. The interior is dry and air can circulate freely at the rear.
3. The interior is clean as recommended under "Cleaning and care."
4. The plug has been inserted into the wall socket and the electricity is switched on. When the door is open the interior light will come on.

And note that:

5. You will hear a noise as the compressor starts up. The liquid and gases sealed within the refrigeration system may also make some (noise), whether the compressor is running or not. This is quite normal.
6. Slight undulation of the top of the cabinet is quite normal due to the manufacturing process used; it is not a defect.

7. We recommend setting the thermostat knob midway and monitor the temperature to ensure the appliance maintains desired storage temperatures (See section Temperature Control and Adjustment).

8. Do not load the appliance immediately it is switched on. Wait until the correct storage temperature has been reached. We recommend checking the temperature with an accurate thermometer (see; Temperature Control and Adjustment).

Storing frozen food

Your freezer is suitable for the long-term storage of commercially frozen foods and also can be used to freeze and store fresh food. If there is a power failure, do not open the door. Frozen food should not be affected if the failure lasts for less than 16 hrs. If the failure is longer, then the food should be checked and either eaten immediately or cooked and then re-frozen.

Freezing fresh food

Please observe the following instructions to obtain the best results.

Do not freeze too large a quantity at any one time. The quality of the food is best preserved when it is frozen right through to the core as quickly as possible.

Do not exceed the freezing capacity of your appliance in 24 h.

Placing warm food into the freezer compartment causes the refrigeration machine to operate continuously until the food is frozen solid. This can temporarily lead to excessive cooling of the refrigeration compartment.

When freezing fresh food, keep the thermostat knob at medium position. Small quantities of food up to 1/2 kg. (1 lb) can be frozen without adjusting the temperature control knob.

Take special care not to mix already frozen food and fresh food.

Making ice cubes

Fill the ice - cube tray 3/4 full with water and place it in the freezer. Loosen frozen trays with a spoon handle or a similar implement; never use sharp-edged objects such as knives or forks.

Defrosting

A) Fridge compartment

The fridge compartment defrosts automatically. The defrost water runs to the drain tube via a collection container at the back of the appliance **(Item 5)**.

During defrosting, water droplets may form at the back of the fridge compartment where a concealed evaporator is located. Some droplets may remain on the liner and refreeze when defrosting is completed. Do not use pointed or sharp-edged objects such as knives or forks to remove the droplets which have refrozen.

If, at any time, the defrost water does not drain from the collection channel, check that no food particles have blocked the drain tube. The drain tube can be cleared with a pipe-cleaner or similar implement.

Check that the tube is permanently placed with its end in the collecting tray on the compressor to prevent the water spilling on the electric installation or on the floor **(Item 6)**.

B) Freezer compartment

Defrosting is very straightforward and without mess, thanks to a special defrost collection basin.

Defrost twice a year or when a frost layer of around 7 (1/4") mm has formed. To start the defrosting procedure, switch off the appliance at the socket outlet and pull out the mains plug.

All food should be wrapped in several layers of newspaper and stored in a cool place (e.g. fridge or larder).

Containers of warm water may be placed carefully in the freezer to speed up the defrosting.

Do not use pointed or sharp-edged objects, such as knives or forks to remove the frost. Never use hairdryers, electrical heaters or other such electrical appliances for defrosting. Sponge out the defrost water collected in the bottom of the freezer compartment. After defrosting, dry the interior thoroughly. Insert the plug into the wall socket and switch on the electricity supply.

Replacing the interior light bulb

To change the Bulb/LED used for illumination of your refrigerator, call your Authorised Service.

The lamp(s) used in this appliance is not suitable for household room illumination. The intended purpose of this lamp is to assist the user to place foodstuffs in the refrigerator/freezer in a safe and comfortable way.

The lamps used in this appliance have to withstand extreme physical conditions such as temperatures below -20°C.

Cleaning and care

1. We recommend that you switch off the appliance at the socket outlet and pull out the mains plug before cleaning.
2. Never use any sharp instruments or abrasive substances, soap, household cleaner, detergent or wax polish for cleaning.
3. Use luke warm water to clean the cabinet of the appliance and wipe it dry.
4. Use a damp cloth wrung out in a solution of one teaspoon of bicarbonate of soda to one pint of water to clean the interior and wipe it dry.
5. Make sure that no water enters the temperature control box.
6. If the appliance is not going to be used for a long period of time, switch it off, remove all food, clean it and leave the door ajar.
7. We recommend that you polish the metal parts of the product (i.e. door exterior, cabinet sides) with a silicone wax (car polish) to protect the high quality paint finish.
8. Any dust that gathers on the condenser, which is located at the back of the appliance, should be removed once a year with a vacuum cleaner.
9. Check door seals regularly to ensure they are clean and free from food particles.

10. Never:

- Clean the appliance with unsuitable material; eg petroleum based products.
 - Subject it to high temperatures in any way,
 - Scour, rub etc., with abrasive material.
11. Removal of dairy cover and door tray :
- To remove the dairy cover, first lift the cover up by about an inch and pull it off from the side where there is an opening on the cover.
 - To remove a door tray, remove all the contents and then simply push the door tray upwards from the base.
12. Make sure that the special plastic container at the back of the appliance which collects defrost water is clean at all times. If you want to remove the tray to clean it, follow the instructions below:
- Switch off at the socket outlet and pull out the mains plug
 - Gently uncrimp the stud on the compressor, using a pair of pliers, so that the tray can be removed
 - Lift it up.
 - Clean and wipe it dry
 - Reassemble, reversing the sequence and operations
13. Large accumulation of ice will impair the performance of the freezer.

Repositioning the door

Proceed in numerical order (**Item 7**).

Do's and don'ts

- Do-** Clean and defrost your appliance regularly (See "Defrosting")
- Do-** Keep raw meat and poultry below cooked food and dairy products.
- Do-** Take off any unusable leaves on vegetables and wipe off any soil.
- Do-** Leave lettuce, cabbage, parsley and cauliflower on the stem.
- Do-** Wrap cheese firstly in greaseproof paper and then in a polythene bag, excluding as much air as possible. For best results, take out of the fridge compartment an hour before eating.
- Do-** Wrap raw meat and poultry loosely in polythene or aluminium foil. This prevents drying.
- Do-** Wrap fish and offal in polythene bags.
- Do-** Wrap food with a strong odour or which may dry out, in polythene bags, or aluminium foil or place in airtight container.
- Do-** Wrap bread well to keep it fresh.
- Do-** Chill white wines, beer, lager and mineral water before serving.
- Do-** Check contents of the freezer every so often.
- Do-** Keep food for as short a time as possible and adhere to "Best Before" and "Use by" etc. dates.
- Do-** Store commercially frozen food in accordance with the instructions given on the packets.
- Do-** Always choose high quality fresh food and be sure it is thoroughly clean before you freeze it.
- Do-** Prepare fresh food for freezing in small portions to ensure rapid freezing.
- Do-** Wrap all food in aluminium foil or freezer quality polythene bags and make sure any air is excluded.
- Do-** Wrap frozen food immediately after purchasing and put it in to the freezer as soon as possible.
- Do-** Defrost food in the fridge compartment.
- Don't-** Store bananas in your fridge compartment.
- Don't-** Store melon in your fridge. It can be chilled for short periods as long as it is wrapped to prevent it flavouring other food.
- Don't-** Cover the shelves with any protective materials which may obstruct air circulation.
- Don't-** Store poisonous or any dangerous substances in your appliance. It has been designed for the storage of edible foodstuffs only.
- Don't-** Consume food which has been refrigerated for an excessive length of time.
- Don't-** Store cooked and fresh food together in the same container. They should be packaged and stored separately.
- Don't-** Let defrosting food or food juices drip onto food.
- Don't-** Leave the door open for long periods, as this will make the appliance more costly to run and cause excessive ice formation.
- Don't-** Use sharp edged objects such as knives or forks to remove the ice.
- Don't-** Put hot food into the appliance. Let it cool down first.
- Don't-** Put liquid-filled bottles or sealed cans containing carbonated liquids into the freezer, as they may burst.
- Don't-** Exceed the maximum freezing loads when freezing fresh food.
- Don't-** Give children ice-cream and water ices direct from the freezer. The low temperature may cause 'freezer burns' on lips.
- Don't-** Freeze fizzy drinks.
- Don't-** Try to keep frozen food which has thawed; it should be eaten within 24 hours or cooked and refrozen.
- Don't-** Remove items from the freezer with wet hands.

Troubleshooting

If the appliance does not operate when switched on, check;


- That the plug is inserted properly in the socket and that the power supply is on. (To check the power supply to the socket, plug in another appliance).
- Whether the fuse has blown/circuit breaker has tripped/main distribution switch has been turned off.
- That the temperature control has been set correctly.

- That the new plug is wired correctly, if you have changed the fitted, moulded plug.

If the appliance is still not operating at all after above checks, contact the dealer from whom you purchased the unit.

Please ensure that above checks have been done, as a charge will be made if no fault is found.



The symbol  on the product or on packaging indicates that this product may not be treated as household waste. Instead it shall be handed over to the applicable collection point for the recycling of electrical and electronic equipment. By ensuring this product is disposed of correctly, you will help prevent potential negative consequences for the environment and human health, which could otherwise be otherwise be caused by inappropriate waste handling of this product. For more detailed information about recycling of this product, please contact your local city office, your household waste disposal service or the shop where you purchased the product.

Gratulujemy dokonania mądrego wyboru!

BEKO o jedna z wiodących marek sprzętu AGD w Europie. Produkty naszej marki to dla konsumentów w ponad 100 krajach synonim funkcjonalności, niezawodności i przystępnej ceny. Obecnie już ponad 250 milionów użytkowników urządzeń BEKO potwierdza, że był to mądry wybór.

Bezpieczeństwo przede wszystkim

Opisana tu chłodziarko-zamrażarka jest najnowszym modelem urządzeń chłodniczych wchodzących w skład serii produktów BEKO.

Została ona zaprojektowana i wyprodukowana zgodnie z międzynarodowymi normami. Przed przystąpieniem do użytkowania prosimy zapoznać się uważnie z instrukcją obsługi. Zastosowanie się do poniższych zaleceń zagwarantuje uzyskanie optymalnego zużycia energii elektrycznej i zapewnieni bezpieczeństwo eksploatacji oraz uchroni przed powstaniem przypadkowych uszkodzeń.

Ostrzeżenie!

Urządzenie to może być użytkowane wyłącznie zgodnie z przeznaczeniem, dla którego zostało wyprodukowane.

Urządzenie należy instalować w miejscu o odpowiednich wymiarach oraz nie narażonym na działanie deszczu, wilgoci itd.

Ważne!

Producent nie będzie ponosić odpowiedzialności za szkody wynikłe z niestosowania się do zaleceń zawartych w instrukcji obsługi. Instrukcję obsługi należy przechowywać w bezpiecznym miejscu tak, aby można było z niej korzystać w razie konieczności. Może być ona przydatna również dla innego użytkownika.

Używanie urządzenia przez osoby z fizycznymi sensorycznymi lub mentalnymi ograniczeniami powinno odbywać się tylko pod kontrolą osób odpowiedzialnych za ich bezpieczeństwo. Należy dopilnować, aby dzieci nie używały urządzenia do zabawy.

Podłączenie do zasilania

Urządzenie jest przeznaczone do pracy przy zasilaniu ~220-240V, 50 Hz. Przed podłączeniem urządzenia do sieci należy upewnić się, czy napięcie, rodzaj prądu i częstotliwość w sieci są zgodne z wartościami podanymi na tabliczce znamionowej urządzenia.

Nie należy podłączać urządzenia za pośrednictwem przedłużaczy elektrycznych.

Zanim podłączysz kabel do gniazda elektrycznego sprawdź czy nie jest uszkodzony. Jeżeli kabel ulegnie uszkodzeniu, to powinien być on zastąpiony specjalnym kablem dostępnym w autoryzowanym serwisie.

Ostrzeżenie!

Bezpieczeństwo elektryczne urządzenia jest gwarantowane tylko wtedy, gdy jego gniazdo zasilające jest uziemione zgodnie z obowiązującymi przepisami.

Podłączenie uziemiające jest obowiązkowe!

Nie należy dotykać urządzenia gołymi rękoma będąc boso.

Ostrzeżenie!

Nie wolno nigdy próbować samemu naprawiać urządzeń elektrycznych. Wszelkie naprawy wykonywane (oprócz czynności opisanych w tabeli poniżej) przez osoby nieuprawnione są niebezpieczne dla użytkownika i powodują utratę uprawnień gwarancyjnych.

W razie uszkodzenia przewodu zasilającego, aby uniknąć niebezpieczeństwa, musi go wymienić producent, jego agent serwisowy lub podobnie wykwalifikowany personel.

Instrukcje transportu i ustawiania

Urządzenie musi być transportowane wyłącznie w pozycji pionowej. W trakcie transportu nie wolno naruszać opakowania. Gdyby jednak zdarzyło się, iż urządzenie było transportowane w pozycji poziomej, to przed uruchomieniem należy pozostawić je w pozycji pionowej - nie uruchamiając, przez co najmniej 4 godzin.

Niezastosowanie się do powyższej instrukcji może spowodować uszkodzenie sprężarki i nie uznanie naprawy gwarancyjnej. Przesuwając, ustawiając lub podnosząc urządzenie nie należy tego robić chwytając za rączki lub skraplacz (umieszczony z tyłu lodówki).

Montaż

Urządzenie będzie pracować prawidłowo w zakresie temperatur otoczenia od +10°C do +38°C. Jeżeli temperatura w pomieszczeniu przekroczy +38°C, to wtedy temperatura wewnątrz urządzenia może wzrosnąć. Urządzenie należy umieścić w odpowiedniej odległości od ściany, z dala od grzejników, kuchenek lub innych źródeł ciepła. Będą one powodować niepotrzebne uruchamianie się całego urządzenia, co prowadzi do większego zużycia energii i skrócenia jego czasu eksploatacji.

Jeżeli jest to niemożliwe należy zachować następujące minimalne odległości:

- od kuchni 30 mm
- od grzejników 300 mm
- od zamrażarek 25 mm

Należy zapewnić wolną przestrzeń wokół całego urządzenia w celu uzyskania prawidłowej cyrkulacji powietrza (**patrz rys. 2**).

Po ustawieniu urządzenia na równej powierzchni, należy je wypoziomować przez pokręcanie jego nóżek w prawo lub w lewo dotąd, aż wszystkie będą się stykać z podłogą (**patrz rys. 4**). Prawidłowe wyregulowanie nóżek pozwoli uniknąć wibracji i nadmiernego hałasu.

Dwie poprzeczki dystansowe skraplacza umożliwiające właściwą cyrkulację powietrza należy zamontować w sposób pokazany na rysunku 3 (**patrz rys 3**).

Zapoznaj się z Twoim urządzeniem

(Patrz rys. 1)

- 1 - Półka zamrażarki
- 2 - Obudowa termostatu i lampy
- 3 - Półka wyjmowana
- 4 - Półka na butelki
- 5 - Rynienka odprowadzająca wodę z odszraniania
- 6 - Pokrywa pojemnika na warzywa
- 7 - Pojemnik na owoce i warzywa
- 8 - Regulowane nóżki
- 9 - Balkonik na nabiał
- 10 - Balkonik na słoiki
- 11 - Balkonik na butelki

Porady dotyczące przechowywania żywności

Aby efekty i higiena przechowywania były najlepsze:

- Chłodziarka jest przeznaczona do krótkotrwałego przechowywania świeżej żywności i napoi.
- Zamrażarka jest przeznaczona do przechowywania żywności zamrożonej oraz do zamrażania żywności świeżej.
- Produkty gotowane należy przechowywać w szczelnych pojemnikach, przez okres nie dłuższy niż 2-3 dni.
- Produkty świeże w opakowaniach można kłaść na półkach. Świeże warzywa i owoce należy przechowywać w pojemniku na owoce i warzywa (rys. 1/7).
- Butelki należy przechowywać w balkoniku na butelki (rys 1/11) znajdującym się po wewnętrznej stronie drzwi.
- Aby zachować świeżość chłodzonego mięsa, należy zapakować je do woreczków przeznaczonych do przechowywania żywności. Nie może ono stykać się z żywnością gotową do spożycia. Świeżego mięsa nie należy przechowywać dłużej niż 2 lub 3 dni.
- Aby zapewnić optymalną wydajność chłodzenia, nie należy przykrywać półek papierem lub innym materiałem; umożliwi to swobodną cyrkulację zimnego powietrza.
- Całą żywność należy przechowywać zapakowaną lub przykrytą. Żywność w puszkach konserwowych należy po ich otwarciu przenieść do szczelnego pojemnika przeznaczonego do przechowywania produktów spożywczych.
- Gorącą żywność należy ostudzić przed włożeniem do chłodziarki.
- Aby uniknąć ryzyka eksplozji, napoje z dużą zawartością alkoholu należy przechowywać w pozycji pionowej, w dobrze uszczelnionych pojemnikach.
- Aby zamrozić świeżą żywność zaleca się zapakować ją w folię aluminiową lub plastikową, ochłodzić w komorze chłodzenia świeżej żywności i przechowywać na półce w komorze zamrażalnika. Najlepiej umieścić tę półkę w górnej części komory zamrażalnika.

Regulacja temperatury

Chłodziarka

Temperaturę wnętrza należy regulować pokrętkiem termostatu. Temperatura wewnątrz urządzenia może się wahać w zależności od takich warunków jego użytkowania, jak: miejsce ustawienia, temperatura w pomieszczeniu, częstość otwierania drzwi oraz ilość przechowywanej żywności; zależnie od tych warunków należy odpowiednio ustawiać pokrętko termostatu. Przy temperaturze pomieszczenia równej 25°C zaleca się ustawienie pokrętki regulacji termostatu w pozycji środkowej.

Termostat zapewnia również automatyczne odszranianie chłodziarki. Podczas odszraniania temperatura wewnątrz chłodziarki może się podnieść do +8°C, lecz w trakcie chłodzenia spada ona do 2-3°C dając średnią temperaturę całego cyklu roboczego około +5°C.

Należy unikać ustawiania pokrętki termostatu na zbyt niską temperaturę, która powoduje ciągłą pracę urządzenia. Efektem tego będzie spadek temperatury poniżej 0°C, co powoduje zamrożenie napoi i świeżej żywności oraz nadmierne gromadzenie się lodu na wewnętrznych ścianach; wszystko to prowadzi do zwiększenia zużycia energii i spadku wydajności urządzenia.

Podczas pracy chłodziarki na tylnej ścianie gromadzi się skroplona woda lub cząsteczki lodu. Nie jest konieczne usuwanie tego osadu, gdyż ścianka ta jest automatycznie odszraniana.

Woda z odszraniania jest odprowadzana przez specjalny odpływ i zbiera się w waniencie ściekowej umieszczonej na sprężarce, gdzie ulega odparowaniu. Co jakiś czas należy oczyścić odpływ, aby woda mogła swobodnie spłynąć do wanienki ściekowej.

Zamrażarka

Ustawienie termostatu może mieć również wpływ na temperaturę w zamrażarce. Ogólnie, temperatura ta waha się w granicach od -18°C do -28°C w trakcie całego cyklu roboczego.

Uruchamianie

Przed uruchomieniem urządzenia należy wyczyścić jego wnętrze (jak podano w rozdziale "Czyszczenie urządzenia"). Do czyszczenia nie należy używać produktów ściernych i silnych detergentów.

Po zakończeniu czyszczenia, urządzenie należy podłączyć do sieci zasilającej, następnie otworzyć drzwi (powinna zaświecić się lampka) i ustawić pokrętko termostatu w pozycji środkowej. Pozostawić urządzenie uruchomione, lecz puste, przez około 2 godziny. Świeżą żywność można włożyć i zacząć zamrażać po upływie minimum 16 godzin od włączenia.

Porady odnośnie przechowywania zamrożonej żywności

Zamrażarka jest przeznaczona do zamrażania świeżej żywności oraz do przechowywania mrożonek przez dłuższy okres czasu. Aby osiągnąć najlepsze rezultaty zamrażania, żywność należy szczelnie opakować. Materiał opakowania powinien: nie przepuszczać powietrza, być obojętny chemicznie w stosunku do opakowanej żywności, być odporny na niskie temperatury, nie nasiąkać płynami, tłuszczem, parą wodną i zapachami oraz powinien być zmywalny. Na opakowania odpowiednie są takie materiały jak folie plastikowe i aluminiowe oraz pojemniki plastikowe, aluminiowe przeznaczone do bezpośredniego kontaktu z żywnością. Nie należy przechowywać zamrożonej żywności w szklanych opakowaniach. W przypadku przerwy w dopływie prądu nie należy otwierać drzwi urządzenia. Jeżeli przerwa w dopływie prądu trwa krócej niż kilka godzin, to nie będzie to mieć szkodliwego wpływu na zamrożoną żywność.

Mrożenie świeżej żywności

- Do zamrażania świeżej żywności należy używać komory oznaczonej 4 gwiazdkami (czyli komory szybkiego zamrażania).
- Nie należy zamrażać jednocześnie dużych ilości żywności. Najlepsze rezultaty w przechowywaniu żywności są osiągane wtedy, gdy jest ona głęboko zamrażana w możliwie jak najkrótszym czasie. Dlatego nie powinno się przekraczać wydajności zamrażania, podanej w charakterystyce technicznej. Ustawienie termostatu należy wtedy tak wyregulować, aby w zamrażarce osiągnąć jak najniższą temperaturę, lecz jednocześnie żeby temperatura w chłodziarce nie spadła poniżej 0°C.
- Produkty spożywcze już zamrożone (gotowe mrożonki) można wkładać od razu do zamrażarki, bez potrzeby regulowania termostatu.
- Jeżeli na opakowaniu nie podano daty zamrożenia, to jako maksymalny okres przechowywania należy ogólnie przyjąć 3 miesiące.
- Nie wolno ponownie zamrażać żadnej rozmrożonej żywności, nawet, gdy jest ona tylko częściowo rozmrożona. Żywność taką należy skosztować niezwłocznie lub ugotować i dopiero wtedy - ponownie zamrozić.

Jak robić kostki lodu

Napełnić wodą pojemnik na lód do 3/4 wysokości i włożyć go do zamrażarki. Kostki lodu można łatwo wyjąć wstawiając pojemnik z lodem na kilka sekund pod strumień zimnej bieżącej wody.

Odmrażanie

Chłodziarka

Odmrażanie chłodziarki następuje całkowicie samoczynnie za każdym razem, gdy termostat wyłączy sprężarkę. Nie jest przy tym konieczna żadna ingerencja użytkownika. Powstała w wyniku rozmrażania woda zbiera się w wanience ściekowej umieszczonej na sprężarce (**rys 5**) i jest odparowywana przez ciepło wytwarzane przez sprężarkę.

WAŻNE!

Kolektor wodny i wąż odprowadzający należy utrzymywać w czystości, aby umożliwić swobodny odpływ wody powstałej podczas odszraniania. Należy sprawdzać, czy koniec węża odpływowego znajduje się zawsze wewnątrz wanienki ściekowej na sprężarce, aby zapobiec wylewaniu się wody na okablowanie elektryczne lub na podłogę (**rys. 6**). Należy regularnie sprawdzać grubość osadzonego lodu wewnątrz **zamrażarki**. Odszranianie należy wykonywać 2 razy w roku lub gdy grubość warstwy lodu osiągnie 6-8mm (co się zdarza raz lub dwa razy w roku); jest to konieczne, gdyż lód jest izolatorem ciepła i powoduje zmniejszenie wydajności zamrażania, a co za tym idzie zwiększenie zużycia energii elektrycznej. Przed rozpoczęciem odszraniania należy ustawić pokrętkę termostatu na maksimum, w celu głębokiego zamrożenia żywności. Następnie należy wyjąć zamrożoną żywność, owinąć ją w papier i położyć w zimnym miejscu. Później wyjąć wtyczkę z gniazda sieci zasilającej. Drzwiczki zamrażarki należy pozostawić otwarte, a do jej wnętrza można wstawić pojemnik z gorącą wodą (o temperaturze maks. 80°C); przyspieszy to proces odszraniania. Nie należy usuwać lodu przy użyciu ostrych przedmiotów metalowych aby nie uszkodzić ścianek zamrażarki. Nie należy przyspieszać odszraniania przy użyciu suszarek do włosów lub innych urządzeń elektrycznych. Wodę ze stopionego lodu należy usunąć suchą gąbką lub szmatką.

Wymiana żarówki

Aby wymienić lampkę używaną do oświetlenia chłodziarki, prosimy wezwać autoryzowany serwis.

Lampa (lampy) wykorzystywane w tym urządzeniu nie są przeznaczone do oświetlania pomieszczeń. Lampa ta ma pomagać użytkownikowi wygodnie i bezpiecznie umieszczać pożywienie w lodówce/zamrażarce.

Żarówki używane w urządzeniu muszą wytrzymywać ekstremalne warunki fizyczne, jak np. temperatury poniżej -20°C.

Czyszczenie urządzenia

Czyszczenie wnętrza

Przed rozpoczęciem czyszczenia należy odłączyć urządzenie od sieci elektrycznej. Czyszczenie urządzenia zaleca się wykonywać po każdym jego odmrożeniu. Wnętrze urządzenia należy czyścić letnią wodą z dodatkiem sody amoniakalnej (w stężeniu 1 łyżeczka sody na 4 litry wody); nie wolno nigdy używać mydła, detergentów, benzyny lub acetonu, gdyż mają one nieprzyjemny zapach. Do czyszczenia należy używać wilgotnej gąbki, a do suszenia - miękkiej szmatki.

W trakcie czyszczenia nie należy stosować nadmiaru wody, aby nie przedostała się ona do wnętrza izolacji termicznej, gdyż może to spowodować wydzielanie nieprzyjemnego zapachu.

Nie wolno dopuszczać do tego, aby do wnętrza termostatu przedostała się woda. Po zakończeniu czyszczenia należy ponownie podłączyć urządzenie do sieci elektrycznej. W trakcie czyszczenia prosimy pamiętać o dokładnym wytarciu suchą szmatką uszczelek drzwi.

Czyszczenie zewnętrznych powierzchni

Części zewnętrzne należy czyścić gąbką nasączoną ciepłą wodą z mydłem, a następnie miękką suchą szmatką. Nie wolno nigdy używać proszków do czyszczenia, silnych detergentów lub narzędzi ściernych.

Czyszczenie zespołu sprężarka-skraplacz

Przed rozpoczęciem czyszczenia należy wyjąć wtyczkę z gniazda sieci zasilającej. Zespół sprężarki ze skraplaczem (zamontowany z tyłu urządzenia) należy czyścić z kurzu przy użyciu miękkiej szczotki lub odkurzacza.

W trakcie czyszczenia należy uważać, aby nie zgiąć rurek lub nie uszkodzić przewodów elektrycznych. Po zakończeniu czyszczenia wstawić akcesoria na swoje miejsce i ponownie podłączyć urządzenie do sieci elektrycznej.

Zmiana kierunku otwierania drzwi

Należy wykonać kolejno czynności pokazane na **rysunku 7**.

Środki ostrożności w trakcie użytkowania

- Wszelkie naprawy mogą być wykonywane wyłącznie przez autoryzowany serwis.
- Urządzenie należy odłączyć od źródła zasilania podczas odmrażania i czyszczenia. **Urządzenie należy odłączać przez wyjęcie wtyczki z gniazdka. Nigdy nie wolno tego robić przez pociąganie za kabel.**
- Nie należy nigdy wspinać się na urządzenie lub stawać na jego poprzeczce, drzwiach, komorach czy półkach.
- W urządzeniu nie wolno przechowywać produktów lub pojemników zawierających palne lub wybuchowe gazy.
- Nie wolno zostawiać otwartych drzwi urządzenia na dłużej, niż to jest konieczne do wyjęcia lub włożenia żywności.
- Gdy urządzenie nie jest używane, nie należy pozostawiać żywności w zamrażarce.
- Napoje gazowane (np. napoje bezalkoholowe, woda mineralna oraz szampan) nie powinny być przechowywane w zamrażarce; ich butelki mogą tam eksplodować. Nie należy zamrażać plastikowych butelek.

- Nie wolno nigdy dawać dzieciom lodów prosto z zamrażarki; niska temperatura może spowodować urazy.
- Nie należy dotykać zimnych części metalowych lub wewnętrznych ścianek urządzenia, gdyż mogą one spowodować odmrożenia.
- Jeżeli urządzenie ma pozostać nie używane przez kilka dni, to nie ma potrzeby, żeby odłączyć je od zasilania. Jednak gdy przerwa ta ma trwać dłużej niż kilka dni, należy postępować w sposób następujący:
 - odłączyć urządzenie od sieci zasilającej;
 - opróżnić chłodziarkę i zamrażarkę;
 - odszronić i wyczyścić wnętrze urządzenia;
 - Pozostawić drzwi otwarte, aby zapobiec powstaniu nieprzyjemnych zapachów.

W przypadku zauważenia...

- Wibracji kratek lub półek: należy sprawdzić, czy są one wstawione całkowicie do oporu, na swoje miejsce.
- Hałasy powodowane przez stykające się butelki lub pojemniki; należy pozostawić między nimi niewielki odstęp.

Dźwięki wydawane podczas pracy

Normalne dźwięki

- „Mruczenie” sprężarki podczas pracy. Głośniejszy dźwięk może być słyszany podczas zatrzymywania i uruchamiania się sprężarki.
- Bulgotanie, pomruk lub trzaski - powodowane przez czynnik chłodzący przepływający przez system chłodzenia.
- "Kliknięcie" - może być słyszane podczas włączania lub wyłączania silnika elektrycznego przez termostat.

Usuwanie usterek

Problem	Możliwe przyczyny	Środki zaradcze
1. Lampka nie świeci podczas pracy urządzenia.	Żarówka jest spalona.	Aby wymienić lampkę używaną do oświetlenia chłodziarki, prosimy wezwać autoryzowany serwis.
2. Woda gromadzi się w dolnej części chłodziarki.	Zatkany kanał odpływowy wody.	Wyczyścić kanał i rurę odprowadzania wody.
3. Urządzenie chłodnicze uruchamia się zbyt często i pracuje przez dłuższe niż normalnie okresy czasu.	- Drzwiczki urządzenia są zbyt często otwierane. - Wokół urządzenia nie ma swobodnego przepływu powietrza.	- Należy unikać niepotrzebnego otwierania drzwiczek. - Umożliwić swobodny przepływ powietrza wokół urządzenia.
4. Urządzenie nie chłodzi.	- Urządzenie zostało unieruchomione lub odłączone od zasilania elektrycznego. - Termostat ustawiony w pozycji "0" .	- Sprawdzić, czy jest prąd w sieci elektrycznej, czy nie są spalone bezpieczniki oraz czy kable wtyczki są podłączone prawidłowo. - Zmienić pozycję pokrętła termostatu z "0" na inną.

Odzysk opakowania

Ostrzeżenie!

Nie należy trzymać opakowań w zasięgu dzieci. Zabawa ze złożonymi kartonami lub arkuszami plastikowymi niesie ze sobą niebezpieczeństwo uduszenia się dziecka. Urządzenie to zostało zapakowane w sposób wystarczający na czas transportu. Wszystkie materiały pakunkowe zostały wyprodukowane zgodnie z przepisami ochrony środowiska i dlatego mogą być poddane odzyskowi. Prosimy o pomoc w ochronie środowiska naturalnego przez umożliwienie ponownego uzdatniania odpadów wszędzie tam, gdzie jest to możliwe.

Odzysk starego urządzenia chłodniczego

Jeżeli to urządzenie chłodnicze ma zastąpić urządzenie starsze, to prosimy przeczytać uważnie poniżej podane uwagi.

Stare urządzenia chłodnicze nie są bezużytecznymi odpadkami; usunięcie ich zgodnie z przepisami o ochronie środowiska naturalnego pozwoli na odzyskanie wielu cenny surowców wtórnych.

Z urządzeniem, którego chcemy się pozbyć należy postąpić w następujący sposób:

- odłączyć je od źródła zasilania;
- odciąć kabel zasilania;
- wymontować wszelkie zamki drzwiowe, aby ochronić dzieci przed zatrzaśnięciem się wewnątrz.

Chłodziarko-zamrażarki zawierają materiały izolacyjne i czynniki chłodnicze, które należy poddać odpowiedniej utylizacji (uzdatnieniu do ponownego użycia).

Urządzenie to zawiera czynnik chłodzący R600a, który spełnia wymogi norm ochrony środowiska. Prosimy dopilnować tego, aby nie uszkodzić obiegu chłodniczego i opróżnić z niego czynnik chłodniczy w sposób zgodny z obowiązującymi przepisami.

UWAGA!

To urządzenie jest oznaczone zgodnie z Dyrektywą Europejską 2002/96/WE oraz polską Ustawą o zużyтым sprzęcie elektrycznym i elektronicznym symbolem przekreślonego kontenera na odpady.



Takie oznakowanie informuje, że sprzęt ten, po okresie jego użytkowania nie może być umieszczany łącznie z innymi odpadami pochodzącymi z gospodarstwa domowego. Użytkownik jest zobowiązany do oddania go prowadzącym zbieranie zużytego sprzętu elektrycznego i elektronicznego. Prowadzący zbieranie, w tym lokalne punkty zbiórki, sklepy oraz gminne jednostki, tworzą odpowiedni system umożliwiający oddanie tego sprzętu.

Właściwe postępowanie ze zużyтым sprzętem elektrycznym i elektronicznym przyczynia się do uniknięcia szkodliwych dla zdrowia ludzi i środowiska naturalnego konsekwencji, wynikających z obecności składników niebezpiecznych oraz niewłaściwego składowania i przetwarzania takiego sprzętu.

Importer:
Beko S.A.
ul. Puławska 366
02-819 Warszawa
www.beko.com.pl
Wyprodukowano w Rumunii

Blahopřejeme k výběru kvalitního spotřebiče BEKO, který je určen pro mnoho let služby.

Bezpečnost především!

Nezapojujte spotřebič do napájecí sítě, dokud neodstraníte všechny obalové a přepravní materiály.

- Před zapnutím nechte nejméně 4 hodin stát, aby se usadil olej v kompresoru po přepravě v horizontální poloze.
- Pokud likvidujete starý spotřebič s zámkem nebo západkou na dveřích, ujistěte se, že je v bezpečném stavu a dětem nehrozí uvíznutí uvnitř.
- Tento spotřebič musí být používán pro stanovený účel.
- Neodkládejte spotřebič do ohně. Váš spotřebič obsahuje v izolační vrstvě látky bez CFC, které jsou hořlavé. Doporučujeme kontaktovat místní úřady pro informace o likvidaci a dostupných zařízeních.
- Nedoporučujeme používat tento spotřebič v nevytápěné chladné místnosti. (např. garáž, sklad, přístavba, kůlna, hospodářské stavení atd.)

Pro co nejlepší výkonnost a bezporuchovou službu vašeho spotřebiče je velmi důležité pozorně si přečíst tyto pokyny. Nedodržením těchto pokynů se vystavujete riziku zrušení možnosti servisu zdarma po dobu záruční lhůty.

Uschovejte tyto pokyny na bezpečném místě pro snadné vyhledání.

Tento spotřebič by neměly používat osoby se sníženou fyzickou, sensorickou nebo mentální způsobilostí a nebo s nedostatečnými zkušenostmi a poznatky. Tyto osoby mohou spotřebič používat jen pod dohledem osoby zodpovědné za jejich bezpečnost, a nebo pokud je zodpovědná osoba poučila o správném používání spotřebiče.

Děti by měly být pod dozorem, aby si nehrály se spotřebičem.

Elektrické požadavky

Před zasunutím zásuvky do sítě se ujistěte, že napětí a kmitočet na štítku uvnitř spotřebiče odpovídají vašemu zdroji. Doporučujeme připojit tento spotřebič do sítě přes vhodně vypínanou a zajištěnou zásuvku na snadno dostupném místě.

Upozornění! Tento spotřebič musí být uzemněn.

Opravy elektrického vybavení by měl provádět jen kvalifikovaný technik. Nesprávné opravy provedené nekvalifikovanou osobou představují riziko, které by mohlo mít kritické dopady pro uživatele spotřebiče.

POZOR!

Tento spotřebič používá R600a, což je plyn, který je šetrný k životnímu prostředí, ale je hořlavý. Během přepravy a upevňování výrobku je třeba dbát zvýšené opatrnosti, aby nedošlo k poškození chladicí soustavy. Pokud je chladicí soustava poškozená a ze systému uniká plyn, udržte výrobek mimo otevřený oheň a nějakou dobu v místnosti větrejte.

UPOZORNĚNÍ – Nepoužívejte mechanické nástroje nebo jiné prostředky k urychlení procesu odmrazení s výjimkou těch, které doporučuje výrobce.

UPOZORNĚNÍ – Nepoškozujte chladicí obvod.

UPOZORNĚNÍ – Nepoužívejte elektrické spotřebiče uvnitř prostor na skladování potravin spotřebiče, pokud se nejedná o typy doporučené výrobcem.

UPOZORNĚNÍ – V případě poškození napájecího kabelu je nutno jej nechat vyměnit u výrobce, jeho servisního zástupce či podobně kvalifikované osoby, aby se předešlo nebezpečí.

Pokyny pro přepravu

1. Spotřebič se smí přenášet jen ve svislé pozici. Obaly musí zůstat během přepravy neporušené.
2. Pokud byl spotřebič během přepravy umístěn vodorovně, nesmí být používán po vybalení nejméně 4 hodin, aby se systém mohl ustálit.
3. Nedodržení výše uvedených pokynů by mohlo vést k poškození spotřebiče, za které

výrobce nezodpovídá.

4. Spotřebič je třeba chránit proti dešti, vlhku a jiným atmosférickým vlivům.

Důležité upozornění!

- Při čištění/přenášení spotřebiče se nedotýkejte spodní části kovových kabelů kondenzátoru na zadní straně spotřebiče, mohlo by dojít k poranění prstů a rukou.
- Nepokoušejte se stoupat nebo sedat na horní okraj spotřebiče, jelikož na toto není určen. Mohli byste se zranit nebo poškodit spotřebič.
- Ujistěte se, že napájecí kabel není zachycen pod spotřebičem během a po přesouvání, mohlo by to poškodit kabel.
- Nedovolte dětem hrát si se spotřebičem nebo manipulovat s ovladači.

Pokyny pro instalaci



1. Nepřechovávejte spotřebič v místnosti, kde může teplota klesnout pod 10°C v noci a/nebo zejména v noci, jelikož je určen na provoz v teplotách mezi +10 a +38 stupni Celsia. Při nižších teplotách nemusí spotřebič fungovat, čímž poklesne doba skladovatelnosti potravin.
2. Neumisťujte spotřebič do blízkosti sporáků nebo radiátorů nebo na přímé sluneční světlo, dojde tím ke zvýšenému napětí funkcí spotřebiče. Při instalaci v blízkosti zdroje tepla nebo mrazničky udržujte minimální odstupy po stranách:
 - Od sporáků 30 mm
 - Od radiátorů 300 mm
 - Od mrazniček 25 mm
3. Ujistěte se, že kolem spotřebiče je dostatečný odstup tak, aby se zaručil volný oběh vzduchu (**Položka 2**).
 - Umístěte zadní odvětrávací víko na zadní stranu vaší chladničky, abyste viděli vzdálenost mezi chladničkou a stěnou (**Položka 3**).
4. Spotřebič by měl být umístěn na hladkém povrchu. Obě přední nožky lze nastavit dle potřeby. Abyste měli jistotu, že váš spotřebič stojí vzpřímeně, nastavte obě přední nožky tak, že jimi otočíte doprava nebo doleva, dokud není zajištěn pevný kontakt s podlahou. Správným nastavením nožek předejdete přílišným vibracím a hluku (**Položka 4**).
5. Informace pro přípravu spotřebiče na použití naleznete v oddíle „Čištění a údržba“.

Seznámení s vaším spotřebičem (Položka 1)

- 1 - Police mrazničky
- 2 - Umístění termostatu a světla
- 3 - Nastavitelné poličky
- 4 - Podpěra na láhve vína
- 5 - Kanál sběru odmražené vody -
Odvodňovací trubice
- 6 - Kryt přihrádek na čerstvé potraviny
- 7 - Přihrádka na uchovávání čerstvých
potravin
- 8 - Nastavitelné přední nožky
- 9 - Prostor pro mléčné výrobky
- 10 - Polička na sklenice
- 11 - Police na lahve

Doporučené rozložení potravin ve spotřebiči

Návody pro optimální uskladnění a hygienu:

1. Prostor chladničky je pro krátkodobé ukládání čerstvých potravin a nápojů.
2. Prostor mrazničky je  vhodný a určený pro mražení a skladování před-mražených potravin.
Doporučení pro  skladování dle informací na obalu potraviny by měly být vždy dodržovány.
3. Mléčné výrobky by měly být skladovány ve zvláštním prostoru ve dveřích.
Pro uskladnění čerstvých potravin doporučujeme balit potraviny do alobalu nebo plastu, ochladit je v prostoru pro čerstvé potraviny a uskladnit je na polici mrazničky.
Doporučujeme upevnit polici na horní straně mrazničky
4. Vařené potraviny by se měly skladovat ve vzduchotěsných nádobách.
5. Čerstvé balené výrobky lze skladovat na polici. Čerstvé ovoce a zeleninu je třeba očistit a skladovat v přihrádkách na čerstvou zeleninu.
6. Láhve lze uchovat ve dveřní části.
7. Chcete-li skladovat syrové maso, zabalte je do polyetylenových sáčků a umístěte na nejnižší polici. Nenechte je přijít do kontaktu s vařenými potravinami, aby nedošlo ke kontaminaci. Z bezpečnostních důvodů skladujte syrové maso jen dva až tři dny.
8. Pro maximální účinnost by se neměly výsuvné police překrývat papírem nebo jinými materiály, aby studený vzduch mohl volně proudit.

9. Neskladujte rostlinný olej na policích ve dveřích. Potraviny uchovávejte zabalené, chráněné nebo překryté. Teplé potraviny a nápoje nechte před zchlazením vychladnout. Zbývající potraviny z konzerv by se neměly skladovat v konzervách.

10. Šumivé nápoje by se neměly zmrazovat a výrobky jako ochucený led do vody by se neměly konzumovat příliš studené.

11. Některé ovoce a zelenina se může poškodit, pokud se skladuje v teplotách kolem 0°C. Ananasy, melouny, okurky, rajčata a podobné produkty balte do polyetylenových sáčků.

12. Silný alkohol se musí skladovat ve vzpřímené pozici a pevně uzavřených nádobách. Nikdy neskladujte výrobky s obsahem vznětlivého pohonného plynu (např. šlehačku ve spreji, plechovky spreje atd.) nebo výbušné látky. Představují riziko výbuchu.

Kontrola a nastavení teploty

Provozní teploty kontroluje tlačítko termostatu a lze jej nastavit na jakoukoli pozici mezi 1 a 5 (nejchladnější pozice).

Pokud je tlačítko termostatu v pozici "0", spotřebič je vypnutý. V tomto případě se nerozsvítí ani světlo pro vnitřní osvětlení. Průměrná teplota uvnitř chladničky by měla být kolem +5°C.

Nastavte tedy termostat tak, abyste dosáhli požadované teploty. Některé části chladničky mohou být chladnější či teplejší (např. přihrádka na uchovávání čerstvého salátu a horní část chladničky), což je naprosto normální. Doporučujeme vám kontrolovat teplotu pravidelně teploměrem, abyste měli jistotu, že chladnička stále zachovává tuto teplotu. Častým otevíráním dveří stoupnou vnitřní teploty, takže doporučujeme zavírat dvířka co nejdříve po použití.

Před zahájením provozu

Poslední kontrola

Než začnete používat spotřebič, zkontrolujte, zda:

1. Nožky byly seřizeny pro ideální rovnováhu.
2. Vnitřek je suchý a vzduch může vzadu volně cirkulovat.

3. Vnitřek je čistý dle doporučení v oddíle „Čištění a údržba“.

4. Zásuvka byla zasunuta do sítě a elektřina je zapnutá. Po otevření dveří se rozsvítí vnitřní osvětlení.

A nezapomeňte, že:

5. Uslyšíte hluk při startování kompresoru. Kapalina a plyny uzavřené v chladicí soustavě mohou dělat další hluk, ať je kompresor v chodu, nebo není. Je to zcela normální.

6. Nepatrné zvlnění horní části chladničky je zcela normální a je způsobeno použitým výrobním procesem; nejedná se o závadu.

7. Doporučujeme nastavovat tlačítko termostatu na střed a sledovat teplotu, abyste zajistili, že spotřebič udržuje požadovanou teplotu skladování (viz oddíl Kontrola a nastavení teploty).

8. Nezaplňujte spotřebič ihned po jeho zapnutí. Počkejte na dosažení správné skladovací teploty. Doporučujeme kontrolovat teplotu přesným teploměrem (viz: Kontrola a nastavení teploty).

Skladování zmražených potravin

Vaše mraznička je vhodná na dlouhodobé uchování běžně dostupných zmražených potravin a lze ji též použít na zmrazení a uskladnění čerstvých potravin.

Dojde-li k výpadku elektrické energie, neotvírejte dveře. Zmrzlé potraviny by měly zůstat nepoškozeny, pokud závada trvá necelých 16 hodin. Pokud je výpadek delší, pak by měly být potraviny zkontrolovány a buď ihned upraveny, nebo uvařeny a pak znovu zmrazeny.

Mražení čerstvých potravin

Pro dosažení nejlepších výsledků prosím dodržujte následující pokyny.

Nezmrazujte příliš velké množství najednou. Množství potravin se nejlépe uchovává, pokud se zmrazí hloubkově a co nejrychleji.

Nepřekračujte mrazicí kapacitu vašeho spotřebiče na 24 hodin.

Umístěním teplých potravin do mrazničky uvedete chladicí zařízení do nepřetržitého chodu, dokud nejsou potraviny zcela zmrzlé.

Může tím dojít k dočasnému přílišnému ochlazení chladicího prostoru.

Při zmrazování čerstvých potravin nastavte tlačítko termostatu na střední pozici. Malé množství potravin až do ½ kg lze zmrazit bez nastavování ovládacího tlačítka termostatu. Dávejte zvýšený pozor, abyste nesměsili již zmrzlé a čerstvé potraviny.

Tvorba ledových kostek

Zaplňte podnos na kostky ledu ze ¾ vodou a umístěte jej do mrazničky. Zmrzlé podnosy uvolněte koncem lžičky nebo podobným nástrojem; nepoužívejte ostré předměty, jako jsou nože nebo vidličky.

Odmrazování

A) Prostor chladničky

Prostor chladničky se odmrazuje automaticky. Odmražená voda stéká do odčerpávací trubice přes sběrnou nádobu na zadní straně spotřebiče (**Položka 5**).

Během odmrzování se mohou na zadní stěně prostoru chladničky vytvořit kapky vody v místech, kde je umístěn odpařovač. Několik kapek může zůstat na obvodu, ty zmrznou po skončení odmrzování. Znovu zmrzlé kapky neodstraňujte špičatými nebo ostrými předměty, jako jsou nože nebo vidličky.

Pokud se kdykoli odmrážená voda neodčerpává ze sběrného kanálu, zkontrolujte, zda odčerpávací trubici neblokuje částí potravin. Odčerpávací trubici lze vyčistit čističem potrubí nebo podobným nástrojem.

Zkontrolujte, zda je hadice neustále umístěná koncem v sběrném tácu na kompresoru, aby nedošlo k rozliti vody na elektrickou instalaci nebo zem (**Položka 6**).

B) Prostor mrazničky

Odmrazování je velmi jednoduché a bez nečistot díky zvláštní nádržce pro sběr odmrážené vody.

Odmrazujte dvakrát ročně nebo tehdy, když se vytvoří vrstva námrazy asi 7 mm. Pro spuštění procesu odmrzování vypněte přístroj ze sítě. Všechny potraviny zabalte do několika vrstev novinového papíru a uskladněte na chladném místě (např. chladnička nebo spíž).

Nádoby s teplou vodou lze umístit opatrně do mrazničky, urychlí se tím odmrzování.

Námrazu neodstraňujte špičatými nebo ostrými předměty, jako jsou nože nebo vidličky. Nepoužívejte sušiče na vlasy, elektrické radiátory nebo jiné elektrické spotřebiče na odmražení.

Odmraženou vodu setřete houbičkou ze dna prostoru mrazničky. Po odmražení vnitřek pečlivě vysušte. Zasuňte zásuvku do sítě a zapněte přívod elektrické energie.

Výměna vnitřní žárovky

Za účelem výměny žárovky osvětlení v chladničce prosím kontaktujte Autorizovaný servis.

Lampa (y) použité v tomto přístroji nejsou vhodné pro osvětlení místnosti domácnosti. Zamýšlený účel tohoto svítidla je pomoci uživateli umístit potraviny do chladničky / mrazničky bezpečně a pohodlně.

Žárovky použité v tomto spotřebiči musí vydržet extrémní fyzické podmínky, např. teploty pod -20°C.

Čištění a péče

1. Doporučujeme vypnout přístroj ze sítě a vyjmout hlavní zásuvku, než přistoupíte k čištění.

2. Nikdy nepoužívejte ostré předměty či brusné látky, mýdlo, domovní čistič, odmašťovač či voskové čisticidlo.

3. Používejte vlažnou vodu pro vyčištění skříně a otřete ji pak dosucha.

4. Používejte vlhký hadřík namočený do roztoku jedné čajové lžičky sody bikarbony na půl litru vody na vyčištění vnitřku, pak jej dosucha otřete.

5. Ujistěte se, že do skříně pro kontrolu teploty nepronikne žádná voda.

6. Pokud spotřebič delší dobu nebudete používat, vypněte jej, vyjměte všechny potraviny, vyčistěte jej a nechte dveře otevřené.

7. Doporučujeme vyčistit kovové součásti výrobku (např. vnější část dvířek, posuvné části) silikonovým voskem (autoleštidlem) pro ochranu vysoce kvalitního povrchového nátěru.

8. Prach, který se usadí na kondenzátoru, který je umístěn na zadní straně spotřebiče, by měl být jednou ročně odstraněn vysavačem.

9. Pravidelně kontrolujte těsnění dvířek, abyste zajistili jejich čistotu a nezanesení částicemi potravin.

10. Nikdy:

- Nečistěte spotřebič nevhodnými materiály; tzn. výrobky na bázi petroleje.
- Jej nevystavujte vysokým teplotám.
- Nedrhňte, nebruste atd. brusnými materiály.

11. Odstranění krytu mléčných výrobků a dveřního podnosu:

- Pro odstranění krytu mléčných výrobků nejprve zvedněte kryt asi o 2,5 cm nahoru a vytáhněte jej ze strany, kde je v krytu otvor.
- Pro odstranění dveřního podnosu odstraňte všechny obsah a pak jen zvedněte dveřní podnos vzhůru ze základny.

12. Ujistěte se, že zvláštní plastová nádoba na zadní straně spotřebiče, která shromažďuje odmraženou vodu, je neustále čistá. Pokud chcete odstranit podnos a vyčistit jej, postupujte podle níže uvedených pokynů:

- Vypněte přístroj a odpojte napájecí kabel.
 - Jemně odpojte čep na kompresoru pomocí kleští, aby bylo možné táč vyjmout
 - Zvedněte jej.
 - Očistěte jej a otřete.
 - Při montáži postupujte v opačném pořadí.
13. Velké nahromadění ledu snižší výkonnost mrazničky.

Výměna dvířek

Postupujte v číselném pořadí (**Položka 7**).

Co dělat a co nedělat

- Ano-** Pravidelně čistěte a odmrazujte spotřebič (viz „Odmrazování“)
- Ano-** Syrové maso a drůbež skladujte pod vařenými potravinami a mléčnými výrobky.
- Ano-** Otrhávejte ze zeleniny nepoužitelné lístky a otírejte přebytečnou zeminu.
- Ano-** Nechte salát, zelí, petržel a květák na stonku.
- Ano-** Sýr balte do nepropustného papíru a pak do polyetylénového sáčku tak, aby uvnitř zůstalo co nejméně vzduchu. Nejlepší je jej vyjmout z chladničky asi hodinu před podáváním.
- Ano-** Obalte syrové maso těsně do polyetylénu nebo alobalu. Zabráníte tím vysušení.
- Ano-** Balte ryby a vnitřnosti do polyetylénových sáčků.
- Ano-** Balte potraviny se silným aroma nebo ty, které by mohly vyschnout, do polyetylénových sáčků, alobalu nebo je ukládejte do vzduchotěsných nádob.
- Ano-** Chléb dobře zabalte, aby zůstal čerstvý.
- Ano-** Bílé víno, pivo, ležák a minerální vodu před podáváním vychladte.
- Ano-** Průběžně kontrolujte obsah mrazničky.
- Ano-** Uchovávejte potraviny co nejkratší dobu a dodržujte jejich lhůtu spotřeby atd.
- Ano-** Již zmrazené potraviny skladujte v souladu s instrukcemi uvedenými na jejich obalech.
- Ano-** Vždy si vybírejte kvalitní čerstvé potraviny a před jejich zmrazením se ujistěte, zda jsou zcela čisté.
- Ano-** Připravte čerstvé potraviny na zmrazení v malých částech, abyste zajistili rychlé zmrazení.
- Ano-** Zabalte všechny potraviny do alobalu nebo polyetylénových sáčků vhodných pro mrazení potravin a ujistěte se, že uvnitř není žádný vzduch.
- Ano-** Zmrazené potraviny obalte ihned po zakoupení a co nejrychleji je vložte do mrazničky.
- Ano-** Potraviny rozmrazujte v chladničce.
- Ne-** skladujte banány v chladničce.
- Ne-** skladujte melouny v chladničce. Lze je zchladit na krátkou dobu, dokud jsou zabaleny, aby nemohly ovlivnit svým aroma jiné potraviny.
- Ne-** zakrývejte police ochrannými materiály, které by mohly bránit v cirkulaci vzduchu.
- Ne-** skladujte ve spotřebiči jedovaté nebo nebezpečné látky. Byl určen na skladování jen jedlých potravin.
- Ne-** konzumujte potraviny, které byly zmrazeny po příliš dlouhou dobu.
- Ne-** skladujte vařené a čerstvé potraviny společně ve stejné nádobě. Měly by být zabaleny a uskladněny zvlášť.
- Ne-** nechte rozmrazované potraviny nebo šťávy potravin kapat na potraviny.
- Ne-** nechte dveře otevřené delší dobu, provoz spotřebiče se tím prodraží a dojde k nadbytečné tvorbě ledu.
- Ne-** používejte ostré předměty jako nože nebo vidličky na odstranění ledu.
- Ne-** vkládejte do spotřebiče teplé potraviny. Nechte je nejprve vychladnout.
- Ne-** vkládejte lahve s kapalinou nebo zavřené plechovky s perlivými kapalinami do mrazničky, mohly by explodovat.
- Ne-** překračujte maximální náplň mrazničky při zmrazování čerstvých potravin.
- Ne-** dávejte dětem zmrzlinu a led do vody přímo z mrazničky. Nízká teplota může způsobit na rtech „popáleniny od mrazu“.
- Ne-** zmrazujte šumivé nápoje.
- Ne-** snažte se uchovat zmrzlé potraviny, které rozmrzly; měli byste je sníst do 24 hodin, nebo uvařit a znovu zmrazit.
- Ne-** odstraňujte předměty z mrazničky mokřýma rukama.

Odstraňování potíží


Pokud spotřebič po zapnutí nefunguje, zkontrolujte;

- Zda je zásuvka správně zasunutá do sítě a je zapnutý přívod elektrické energie. (Pro kontrolu napětí v zásuvce do ní zapojte další spotřebič).
- Zda není vyhozená pojistka/se neaktivoval přerušovač obvodu/hlavní jistič není vypnutý.
- Zda byla správně nastavena funkce ovládání teploty.
- Zda je nová zásuvka správně propojená, pokud jste změnil osazenou tvarovanou zásuvku.

Pokud spotřebič po provedení těchto kontrol stále nefunguje, kontaktujte prodejce, u něhož jste přístroj zakoupili.

Provedte prosím všechny výše uvedené kontroly, v případě nezjištění závady bude kontrola zpoplatněna.



Symbol  na výrobku nebo na obalu upozorňuje na skutečnost, že spotřebič nepatří do běžného domácího odpadu. Místo toho je třeba jej odevzdat do speciální sběrný odpadu na recyklování elektrických a elektronických zařízení. Vaší podporou správné likvidace pomáháte zabránit potenciálně negativním vlivům na životní prostředí a lidské zdraví, které by jinak nesprávná likvidace výrobku mohla způsobit. Další informace a recyklování tohoto spotřebiče získáte na místním úřadě, ve sběrně odpadu nebo u prodejce, kde jste spotřebič zakoupili.

Blahoželáme k Vášmu výberu BEKO kvalitného spotrebiča, navrhnutého tak, aby Vám slúžil veľa rokov.

Bezpečnosť nadovšetko!

Nezapájajte spotrebič do elektrickej siete, kým nie sú odstránené baliace a ochranné prostriedky.

- Nechajte spotrebič stáť minimálne 4 hodiny pred tým, ako ho zapnete, aby sa olej v kompresore usadil, ak bol prepravovaný horizontálne.

- Ak znehodnocujete starý spotrebič, jeho zámok alebo závoru uspôsobenú k dverám, uistite sa, že sú odstránené bezpečným spôsobom, aby ste predišli tomu, že sa dnu zamknú deti.

- Tento spotrebič musí byť výlučne použitý pre navrhnutý účel.

- Nevystavujte spotrebič ohňu. Spotrebič neobsahuje CFC substancie v izolácií, ktoré sú horľavé. Navrhujeme vám kontaktovať miestne úrady pre informácie na disponovanie a využitie zariadenia.

- Neodporúčame využívať toto zariadenie v nevykurovanej, studenej miestnosti. (napr.: garáž, sklad, prístavba, prístrešok, na vonku, atď...)

Aby ste dosiahli najlepší možný výkon a bezproblémový chod spotrebiča, je veľmi dôležité podrobne si prečítať tento návod. Nedodržanie týchto pokynov môže zrušiť vaše právo na bezplatný servis počas záručnej doby.

Uchovajte tieto pokyny na bezpečnom mieste pre ľahšie použitie.

Tento spotrebič by nemali používať osoby so zníženou fyzickou, senzorickou alebo mentálnou spôsobilosťou alebo s nedostatočnými skúsenosťami a poznatkami. Tieto osoby môžu spotrebič používať len pod dohľadom osoby zodpovednej za ich bezpečnosť, alebo ak ich zodpovedná osoba poučila o správnom používaní spotrebiča.

Deti by mali byť pod dozorom, aby sa nehrali so spotrebičom.

Elektrické požiadavky

Pred zasunutím zástrčky do zásuvky v stene sa uistite, že napätie a frekvencia uvedené na výkonovom štítku zodpovedajú zásobovaniu elektrickou energiou.

Odporúčame aby toto zariadenie bolo zapojené do elektrickej sústavy cez vhodnú zásuvku so spínačom v ľahko dostupnej pozícii.

Varovanie! Tento spotrebič musí byť uzemnený.

Opravy tohto zariadenia by mal vykonávať kvalifikovaný technik. Nesprávne opravy vykonané nekvalifikovanou osobou prinášajú riziko nepriaznivých následkov pre užívateľa zariadenia.

POZOR!

Tento spotrebič pracuje s plynom R600a, ktorý je ekologicky nezávadný, ale horľavý. Počas prepravy a zostavovania produktu dbajte na to, aby ste nepoškodili chladiaci systém. Ak je poškodený chladiaci systém a unikol zo systému plyn, držte zariadenie mimo otvoreného ohňa a na chvíľu vyvetrajte miestnosť.

VAROVANIE – Nepoužívajte mechanické prístroje alebo iné prostriedky na urýchľovanie rozmrazovacieho procesu, inak ako odporúča výrobca.

VAROVANIE – Nepoškodte chladiaci okruh.

VAROVANIE – Nepoužívajte elektrické zariadenia vo vnútri priestoru na potraviny, iba ak ide o typy odporúčané výrobcom.

VAROVANIE – Ak je sieťový kábel poškodený, je potrebné, aby ho vymenil výrobca, servisný agent alebo podobne kvalifikovaná osoba, vyhnite sa tak možnému nebezpečenstvu.

Prepravné pokyny

1. Spotrebič musí byť prepravovaný výlučne vo vertikálnej polohe. Obal musí počas prepravy ostať neporušený.

2. Ak bol spotrebič počas prepravy v horizontálnej polohe, nesmiete ho uvádzať do prevádzky najbližšie 4 hodiny, aby sa systém ustálil.

3. Nedodržanie vyššie uvedených pokynov by mohlo mať za následok poškodenie spotrebiča, za ktoré výrobca nebude niest' zodpovednosť.

4. Spotrebič musí byť chránený proti dažďu, vlhkosti a iným poveternostným vplyvom.

Dôležité!

- Kladte dôraz na opatrnosť počas čistenia/údržby spotrebiča, nedotýkajte sa spodku chladiacich kovových vedení na zadnej strane spotrebiča, mohlo by vám to spôsobiť úraz prstov a rúk.
- Nepokúšajte sa sadať alebo stáť na vrch zariadenia, pretože nieje navrhnuté pre takúto záťaž. Mohli by ste sa poraniť alebo poškodiť zariadenie.
- Uistite sa, že elektrický kábel nie je pricviknutý pod zariadením počas presúvania a po presunutí, mohlo by to poškodiť kábel.
- Nedovoľte deťom hrať sa so zariadením alebo s ovládačmi.

Inštalčné pokyny

1. Nedržte spotrebič v miestnosti, kde teplota v noci pravdepodobne klesne pod 10 stupňov C (50 stupňov F) a/alebo hlavne v zime, pretože je navrhnutý na prevádzku pri vonkajších teplotách medzi +10 až +38 stupňov C (50 až 107 stupňov F). Pri nižších teplotách spotrebič nemusí fungovať, čoho dôsledkom je zníženie doby skladovania potravín.

2. Neumiestnite spotrebič blízko pri sporákoch alebo radiátoroch alebo pri priamom slnečnom svetle, pretože to spôsobí mimoriadne poškodenie funkcií spotrebiča. Ak je nainštalovaný pri zdroji tepla alebo mrazničke, zachovajte nasledujúce minimálne bočné vôle:

Od sporákov 30 mm

Od radiátorov 300 mm

Od mrazničiek 25 mm

3. Uistite sa, že okolo spotrebiča je dostatočný priestor na zabezpečenie voľnej cirkulácie vzduchu (**Položka 2**).

• K zadnej časti chladničky položte zadný vetrací kryt na nastavenie vzdialenosti medzi chladničkou a stenou (**Položka 3**).

4. Spotrebič by sa mal umiestniť na hladký povrch. Dve predné nohy sa dajú nastaviť podľa požiadaviek. Aby ste zabezpečili, že váš spotrebič stojí rovno, nastavte dve predné nohy otočením v smere alebo proti smeru hodinových ručičiek, kým sa nezabezpečí pevný kontakt s podlahou. Správne nastavenie nôh bráni nadmernej vibrácii a hluku (**Položka 4**).

5. Odkazujeme na časť „Čistenie a údržba“, kde nájdete popis, ako pripraviť spotrebič na používanie.

Poznávanie spotrebiča


(Položka 1)


- 1 - Polička mrazničky
- 2 - Termostat a kryt svetidla
- 3 - Nastaviteľné poličky
- 4 - Držiak vínových fľaš
- 5 - Zberný kanálik odmrazenej vody -
Výtokové potrubie
- 6 - Kryt priehradky
- 7 - Priehradka
- 8 - Nastaviteľné predné nožky
- 9 - Priehradka pre mliečne výrobky
- 10 - Polička na nádoby
- 11 - Polička na fľaše

Navrhnuté rozmiestnenie potravín v spotrebiči

Pokyny na dosiahnutie optimálneho skladovania a hygieny:

1. Priestor chladničky je pre krátkodobé skladovanie čerstvých potravín a nápojov.

2. Priestor mrazničky je  predpísaný a vhodný na mrazenie a skladovanie predmrazených potravín.

Odporúčanie pre  skladovanie uvedené na obale potravín, by sa malo vždy dodržať.

3. Mliekarenské výrobky by sa mali skladovať v špeciálnej priehradke vo vložke dvier.

Aby ste zmrazili čerstvé potraviny, odporúča sa, aby ste produkty zabalili do hliníkových alebo plastových obalov, schladili ich v priečinku pre čerstvé potraviny a uskladnili ich na poličke priečinku mrazničky. Uprednostňuje sa, aby sa polička upevnila na hornej strane priečinka mrazničky.

4. Varené jedlá by sa mali skladovať vo vzduchotesných nádobách.

5. Čerstvé zabalené výrobky sa môžu uchovávať na poličke. Čerstvé ovocie a zelenina by sa mali umyť a uskladniť v špeciálnych priehradkách.

6. Fľaše sa môžu držať v časti dvier.

7. Surové mäso zabaľte do polyetylénových vreciek a položte na najspodnejšiu poličku. Zabráňte kontaktu s varenými potravinami, aby ste sa vyhli kontaminácii. Z bezpečnostných dôvodov skladujte surové mäso len dva až tri dni.

8. Pre maximálnu účinnosť by odnímateľné poličky nemali byť pokryté papierom, či iným materiálom, aby sa umožnila voľná cirkulácia chladného vzduchu.

9. Na dverových poličkách neskladujte rastlinný olej. Potraviny skladujte zabalené alebo zakryté. Horúce potraviny a nápoje pred vloženíím do chladničky ochladte. Zvyšné konzervované potraviny by sa nemali skladovať v konzerve.

10. Šumivé nápoje by sa nemali zmrazovať a výrobky ako ochutené vodové zmrzliny by sa nemali konzumovať príliš studené.

11. Niektoré druhy ovocia a zeleniny sa poškodia, ak sa uchovávajú pri teplotách blížiacich sa 0°C. Preto baľte ananásy, melóny, uhorky, paradajky a podobné produkty do polyetylénových sáčkov.

12. Vysokostupňový alkohol sa musí uskladňovať vo vertikálnej polohe v tesno uzavretých nádobách. Nikdy neskladujte produkty, ktoré obsahujú horľavý stlačený plyn (napr. dávkovače šľahačky, postrekovacie konzervy, atď.) alebo výbušné látky. Predstavujú nebezpečenstvo výbuchu.

Riadenie a nastavenie teploty

Prevádzkové teploty sa riadia gombíkom termostatu a môžu sa nastaviť do akejkoľvek polohy medzi 1 a 5 (najchladnejšia poloha). Ak je gombík termostata v pozícii "0", spotrebič je vypnutý. V tomto prípade žiadna z lamp pre vnútorné osvetlenie sa nerozsvieti. Priemerná teplota vo vnútri chladničky by mala byť okolo +5°C (+41°F).

Nastavte preto termostat tak, aby ste dosiahli požadovanú teplotu. Niektoré časti chladničky môžu byť chladnejšie alebo teplejšie (ako napríklad priehradka na šalát a vrchná časť vitríny), čo je celkom normálne. Odporúčame vám, aby ste pravidelne kontrolovali teplotu teplomerom. Tak zabezpečíte, že vitrína sa udržiava pri tejto teplote. Časté otváranie dvier spôsobuje zvýšenie vnútornej teploty, preto sa odporúča zatvoriť dvere čo možno najskôr po použití.

Pred prevádzkou

Záverečná kontrola

Pred začatím používania spotrebiča skontrolujte, či:

1. Sú nohy nastavené do úplného vyrovnaní.
2. Vnútro je suché a vzduch môže voľne cirkulovať vzadu.
3. Vnútro je čisté podľa odporúčania v časti „Čistenie a údržba“.
4. Zástrčka je vsunutá do zásuvky v stene a elektrina je zapnutá. Keď sa otvoria dvere, vnútorné svetlo sa zapne.

A všimnite si, že:

5. Budete počuť zvuk pri zapnutí kompresora. Aj kvapalina a plyny utesnené v chladiacom systéme môžu vydávať nejaký zvuk, či kompresor je alebo nie je v prevádzke. To je dosť normálne.
6. Mierne zvlhčenie na vrchu vitríny je dosť normálne a spôsobené použitým výrobným procesom, nie je to chyba.

7. Odporúčame nastavenie gombíka termostatu do stredu a monitorovať teplotu, aby sa zaistilo, že spotrebič udržiava požadovanú teplotu skladovania (Pozri časť Riadenie a nastavenie teploty).

8. Nenaplníte spotrebič hneď po zapnutí. Počkajte, kým sa nedosiahne správna teplota skladovania. Odporúčame skontrolovať teplotu presným teplomerom (Pozri časť Riadenie a nastavenie teploty)

Skladovanie mrazených potravín

Vaša mraznička je vhodná na dlhodobé skladovanie komerčne zmrazených potravín a môže sa použiť aj na mrazenie a skladovanie čerstvých potravín.

Ak došlo k výpadku prúdu, neotvárajte dvere. Mrazené potraviny by sa nemali poškodiť, ak výpadok trvá menej ako 16 hodín. Ak je výpadok dlhší, potraviny by sa mali skontrolovať a buď okamžite zjesť alebo uvariť, a potom znova zmraziť.

Mrazenie čerstvých potravín

Dodržiavajte nasledujúce pokyny, aby ste dosiahli najlepšie výsledky.

Nemrazte príliš veľké množstvo naraz. Kvalita potravín sa najlepšie zachová, keď sa mrazia správne až do vnútra čo možno najrýchlejšie. Neprekračujte zmrazovací výkon vášho spotrebiča v 24 h.

Vloženie teplých potravín do priestoru mrazničky spôsobuje, že chladiaci stroj funguje neustále, až kým potraviny nie sú pevne zmrazené. To môže dočasne viesť k nadmernému chladeniu priestoru chladničky.

Pri zmrazovaní čerstvých potravín udržiavajte gombík termostatu v strednej polohe. Malé množstvá potravín do 3 kg sa môžu mraziť bez nastavenia gombíka riadenia teploty. Buďte zvlášť opatrní a nemiešajte mrazené a čerstvé potraviny.

Tvorba kociek ľadu

Naplňte podnos na kocky $\frac{3}{4}$ adu vodou do ľ a položte ho do mrazničky. Zamrznuté podnosy uvoľníte rúčkou lyžice alebo podobným nástrojom; nikdy nepoužívajte predmety s ostrými hranami, ako nože alebo vidličky.

Rozmrazovanie

A) Priestor mrazničky

Priestor mrazničky rozmrazuje automaticky. Odmrazená voda steká do výtokového potrubia cez zbernú nádrž na zadnej strane spotrebiča (**Položka 5**).

Počas rozmrazovania sa môžu vytvárať kvapky vody na zadnej strane priestoru chladničky, kde sa nachádza skrytý výparník. Niektoré kvapky môžu zostať na vložke a znovu zamrznúť, keď sa rozmrazovanie dokončí. Na odstraňovanie kvapiek, ktoré znovu zamrzli, nepoužívajte špicaté predmety ani predmety s ostrou hranou, ako nože alebo vidličky.

Ak sa, kedykoľvek, odmrazená voda nevypustí zo zberného kanála, skontrolujte, či čiastočky potravín neupchali výtokové potrubie. Výtokové potrubie môžete vyčistiť čističom trubiek alebo podobným nástrojom.

Skontrolujte, či je trubka permanentne umiestnená koncom v zbernom podnose na kompresore, aby sa zabránilo rozliatiu vody na elektroinštaláciu alebo na podlahu (**Položka 6**).

B) Priestor mrazničky

Rozmrazovanie je veľmi priamočiare a bez zmätkov vďaka špeciálnej rozmrazovacej zbernej miske.

Rozmrazovanie dvakrát do roka alebo keď sa vytvorila namrznutá vrstva asi 7 (1/4") mm. Pri začatí rozmrazovacieho postupu vypnite spotrebič zo zásuvky a vytiahnite zástrčku. Všetky potraviny by mali byť zabalené do niekoľkých vrstiev novín a skladované na chladnom mieste (napr. v chladničke alebo v komore).

Nádrže teplej vody sa môžu opatrne položiť do mrazničky na urýchlenie rozmrazovania. Na odstránenie námrazy nepoužívajte špicaté predmety ani predmety s ostrou hranou, ako nože alebo vidličky.

Na rozmrazovanie nikdy nepoužívajte sušiče vlasov, elektrické ohrievače alebo iné elektrické spotrebiče.

Odsajte rozmrazenú vodu zhromaždenú na dne priestoru mrazničky. Po rozmrazení starostlivo osušte interiér. Vložte zástrčku do zásuvky v stene a zapnite dodávku elektriny.

Výmena žiarovky vnútorného svetla

Ak chcete vymeniť lampu použitú na osvetlenie vašej chladničky, zavolajte do autorizovaného servisu.

Lampa(y) použité v tomto prístroji nie sú vhodné pre osvetlenie miestnosti domácnosti. Zamýšľaný účel tohto svietidla je pomôcť užívateľovi umiestniť potraviny do chladničky/mrazničky bezpečne a pohodlne. Žiarovky použité v tomto spotrebiči musí vydržať extrémne fyzické podmienky, napr. teploty pod -20°C.

Čistenie a údržba

1. Pred čistením odporúčame vypnúť spotrebič zo zástrčky a odtiahnuť elektrickú šnúru.
2. Nikdy na čistenie nepoužívajte žiadne ostré predmety alebo brúsne látky, mydlo, domáce čističlá, detergenty alebo voskové politúry.
3. Použite teplú vodu na čistenie spotrebiča a vytrite ho do sucha.
4. Použite sacie plátno a rozmiešajte roztok jednej čajovej lyžičky sódy bikarbóny a pol litra vody. Umyte interiér a vytrite do sucha.
5. Uistite sa, či sa do krytu termostatu nedostala voda.
6. Ak sa spotrebič nechystáte používať dlhšie obdobie, vypnite ho, odstráňte všetky potraviny, vyčistite ho a nechajte dvere pootvorené.
7. Odporúčame vyleštiť kovové časti interiéru (napr.: dvere, mriežky...) so silikónovým voskom (leštidlo na karosériu) na ochranu farbených častí.
8. Všetok prach, ktorý sa nazbieral na chladiči, ktorý je umiestnený na zadnej strane spotrebiča, by sa mal odstrániť vysávačom raz ročne.
9. Skontrolujte tesnenie dverí či je čisté a zbavené čiastočiek potravín.
10. Nikdy :
 - Nečistite spotrebič s nevhodnými materiálmi; ako sú petrolejové produkty.
 - Nepodrobujte ho vysokým teplotám,
 - Neleštite, neutierajte atď. s brúsnyimi materiálmi.
11. Odstránenie mliečneho krytu a zásobníka dvier:
 - Ak chcete odstrániť mliečny kryt, najprv zdvihnite kryt do výšky asi jedného palca a stiahnite ho zo strany, kde je otvor na kryte.
 - Ak chcete odstrániť zásobník dvier, vyberte celý obsah, a potom jednoducho posuňte zásobník dvier hore z podkladu.

12. Uistite sa, či je špeciálna plastická nádoba na zadnej strane spotrebiča, ktorá zbiera vodu po rozmrazovaní, stále čistá. Ak chcete vybrať nádobu a vyčistiť ju, postupujte podľa nasledujúcich pokynov:

- Vypnite spotrebič zo zásuvky a odtiahnite elektrický kábel.
 - Jemne vytiahnite spojovací prvok na kompresore, použitím klieští tak, že sa nádoba bude dať vybrať
 - Dvihnite ju hore.
 - Vyčistite a utrite do sucha
 - Podobne postupujte pri spätnej operácii
13. Veľké nahromadenie ľadu zhorší výkonnosť mrazničky.

Premiestnenie dvier

Vysvetlené v poradí (**Položka 7**).

Čo sa má a čo sa nesmie robiť

Urobte- Pravidelne čistite a odmrazujte váš spotrebič (Pozri „Rozmrazovanie“).

Urobte- Skladujte surové mäso a hydinu pod varenými potravinami a mliekarenskými výrobkami.

Urobte- Odstráňte nepoužiteľné listy na zelenine a odstráňte zem.

Urobte- Nechajte šalát, kapustu, petržlen a karfiol na stonke.

Urobte- Syr najprv zabaľte do papiera odolného voči tukom, a potom do polyetylénového sáčku, pričom odstráňte čo možno najviac vzduchu. Pre najlepšie výsledky vyberte z priestoru chladničky hodinu pred jedením.

Urobte- Zabaľte surové mäso a hydinu voľne do polyetylénovej alebo hliníkovej fólie. Zabraňuje to vysušeniu.

Urobte- Ryby a omrvinky zabaľte do polyetylénových sáčkov.

Urobte- Potraviny so silnou vôňou alebo tie, ktoré môžu vyschnúť, zabaľte do polyetylénových sáčkov alebo hliníkovej fólie alebo ich uložte do vzduchotesnej nádoby.

Urobte- Chlieb dobre zabaľte, aby sa udržal čerstvý.

Urobte- Biele vína, pivo, svetlé pivo a minerálku pred podávaním vychlaďte.

Urobte- Často kontrolujte obsah chladničky.

Urobte- Uchovávajte potraviny čo najkratší čas a dodržujte dátumy "Spotrebovať pred" a „Použiť do“, atď.

Urobte- Skladujte komerčne zmrazené potraviny v súlade s pokynmi uvedenými na obale.

Urobte- Vždy si vyberajte vysokokvalitné čerstvé potraviny a uistite sa, že sú pred mrazením starostlivo čisté.

Urobte- Pripravujte čerstvé potraviny na mrazenie v malých porciách, aby sa zabezpečilo rýchlo mrazenie.

Urobte- Baľte všetky potraviny do hliníkovej fólie alebo kvalitných mraziarenských polyetylénových sáčkov a uistite sa, že je vylúčený akýkoľvek vzduch.

Urobte- Zabaľte mrazené potraviny okamžite po nákupe a vložte ich čo najskôr do mrazničky.

Urobte- Potraviny rozmrazujte v priestore chladničky.

Nerobte- Neskladujte banány v priestore chladničky.

Nerobte- V chladničke neskladujte melón. Môže sa schladiť na krátky čas, pokiaľ je zabalený, aby sa zabránilo páchnutiu iných potravín.

Nerobte- Neprikrývajte poličky žiadnymi ochrannými materiálmi, ktoré môžu zabrániť cirkulácii vzduchu.

Nerobte- V spotrebiči neskladujte jedovaté alebo iné nebezpečné látky. Spotrebič bol navrhnutý len na skladovanie jedlých potravín.

Nerobte- Nekonzumujte potraviny, ktoré boli v chladničke nadmerne dlhý čas.

Nerobte- Neskladujte varené a čerstvé potraviny spolu v tej istej nádobe. Mali by byť oddelene zabalené a uskladnené.

Nerobte- Nenechajte rozmrazené potraviny alebo šťavy odkvapkávať na ostatné potraviny.

Nerobte- Nenechávajte dvere otvorené dlhý čas, pretože to spôsobí drahšiu prevádzku spotrebiča a nadmernú tvorbu ľadu.

Nerobte- Na odstránenie ľadu nepoužívajte predmety s ostrými hranami, ako nože alebo vidličky.

Nerobte- Nevkladajte do spotrebiča horúce potraviny. Najprv ich nechajte vychladnúť.

Nerobte- Do mrazničky nevkladajte fľaše s kvapalinami alebo uzavreté konzervy obsahujúce sódové kvapaliny, pretože môžu vybuchnúť.

Nerobte- Neprekracujte maximálne mraziace nosnosti pri mrazení čerstvých potravín.

Nerobte- Nedávajte deťom zmrzlinu a vodové zmrzliny priamo z mrazničky. Nízka teplota môže spôsobiť omrzliny na perách.

Nerobte- Nezmrazujte šumivé nápoje.

Nerobte- Nepokúšajte sa skladovať mrazené potraviny, ktoré sa rozpustili, mali by sa zjesť do 24 hodín alebo uvariť a znovu zmraziť.

Nerobte- Nevyberajte tovar z mrazničky mokrymi rukami.

Riešenie problémov


Ak spotrebič nefunguje, keď je zapnutý, skontrolujte,

- či je zástrčka správne vložená do zásuvky a či je zapnutý napájací zdroj. (Ak chcete skontrolovať napájací zdroj k zásuvke, pripojte iný spotrebič).
- Či poistka vyhorela/sa prerušovač rozpojil/sa hlavný rozvodový spínač vypol.
- Či bolo riadenie teploty nastavené správne.
- Či je nová zástrčka správne zapojená, ak ste vymenili namontovanú, lisovanú zástrčku.

Ak spotrebič po tom všetkom stále nepracuje, kontaktujte obchodného zástupcu, od ktorého ste si ho kúpili.

Zabezpečte vykonanie vyššie uvedených kontrol, pretože, ak sa nezistí žiadna chyba, môže sa to spoplatniť.



Symbol  na výrobku alebo na balení označuje, že s týmto výrobkom sa nesmie manipulovať ako s odpadom z domácnosti. Namiesto toho by ste ho mali odovzdať na príslušnom zbernom mieste, kde sa zabezpečuje recyklácia elektrických a elektronických zariadení. Zabezpečením správnej likvidácie tohto výrobku pomôžete zabrániť potenciálne nebezpečným negatívnym následkom na životné prostredie a zdravie ľudí, ktoré by inak mohla spôsobiť nevhodná likvidácia tohto výrobku. Ak chcete získať podrobnejšie informácie o recyklácii tohto výrobku, obráťte sa na miestny mestský úrad, na spoločnosť, ktorá sa zaoberá likvidáciou odpadu z domácností, alebo na predajňu, v ktorej ste výrobok kúpili.

Gratulálunk a BEKO minőségű készülékválasztásához, melyet sok évnyi használatra terveztek.

Első a biztonság!

Ne csatlakoztassa a készüléket elektromos ellátáshoz, amíg minden csomagolást és szállítási védelmet el nem távolított.

- Hagyja állni 4 órát, mielőttbekapcsolná a készüléket, hogy a kompresszor olajsintje leülepedjen, ha vízszintesen szállították.
- Ha lecseréli régi készülékét zárral vagy retesszel, győződjön meg róla, hogy biztonságos, hogy elkerülje egy gyermek benntrekedését.
- A készüléket csak az arra tervezett célra szabad használni.
- Ne helyezze a készüléket tűz mellé. Az Ön készüléke a szigetelésben CFC anyagot tartalmaz, amely gyúlékony. Azt ajánljuk, hogy további információért, hogy hogyan szabaduljon meg készülékétől és lehetséges szolgáltatásokért, lépjen kapcsolatba a helyi hatósággal.
- Nem ajánljuk a készülék használatát fűtetlen vagy hideg helyiségben. (pl.: garázs, télikert, melléképület, fészker, házon kívül, stb.)

A lehető legjobb teljesítmény és zavarmentes működéshez nagyon fontos, hogy ezeket az utasításokat figyelmesen olvassa el. Ezen utasítások elmulasztása érvénytelenítheti az ingyen szervízhez való jogot a garancia időtartama alatt.

Kérem tartsa ezeket az utasításokat biztonságos helyen a gyorsabb használhatóság érdekében.

Ennek a készüléknek a használata, csökkentett szellemi és fizikai képességekkel rendelkezők számára csak felügyelet mellett tanácsos.

A készülék a gyerekek számára veszélyes, ezért, csak felügyelet mellett használhatják.

A készülék nem játékszer.

Elektromos követelmény

Mielőtt bedugná a dugót a konnektorba, győződjön meg róla, hogy a feszültség és frekvenciamutató megfelel a készülék hátulján szereplő osztályozásnak.

Azt ajánljuk, hogy a készülékét a fő áramkört egy megfelelő kapcsolón keresztül csatlakoztassa egy könnyedén elérhető állásba.

FIGYELMEZTETÉS! Ezt a készüléket földelni kell.

Az elektromos berendezés javítását csak képesített technikus végezheti. Képzetlen személy által végrehajtott javítás kockázatot rejt, amely kritikus következményekkel járhat a készülék felhasználója számára.

Figyelem!

Ez a készülék R600a –val működik, amely környezetbarát, de gyúlékony gáz. A termék szállítása és rögzítése folyamán ügyelnie kell arra, hogy ne sértse meg a hűtőrendszert. Ha a hűtőrendszer megsérül és a gáz szivárog a rendszerből, tartsa távol nyílt lángtól és szellőztesse ki a helyiséget rövid időre.

Figyelmeztetés! – Ne használjon mechanikus berendezéseket vagy egyéb eszközöket a kiolvasztás felgyorsításához, mint amelyeket a gyártó ajánlott.

FIGYELMEZTETÉS – Ne sértse meg az újrafagyasztó áramkört.

FIGYELMEZTETÉS – Ne használjon elektromos berendezést a készülék élelmiszer tárolására alkalmas rekeszeiben, kivéve a gyártó által ajánlott típusokat.

FIGYELMEZTETÉS – Ha az áramellátó zsinór megsérült, annak kicserélését a gyártóval, a gyártó szervizelőjével vagy hasonló képzett szakemberrel kell elvégeztetni a veszély elkerülése érdekében.

Szállítási utasítások

1. A készüléket csak függőleges állapotban szabad szállítani. A szállítmány csomagolásának érintetlennek kell lennie a szállítás alatt.

2. Ha a készüléket vízszintesen helyezik el a szállítás alatt, legalább 4 óráig nem szabad működtetni, hogy a rendszer, hogy a rendszer helyreálljon.

3. Ha a fenti utasításoknak elmulaszt eleget tenni, az a készülék sérülését redményezheti, amelyért a gyártó nem felelős.

4. A készüléket óvni kell esővel, nedvességgel és egyéb atmoszférikus hatással szemben.

Fontos!

- Óvatosnak kell lennie a készülék tisztítása/szállítása alatt, hogy a kondenzátor drót huzaljai ne érintkezzenek a készülék hátuljában, mivel az ujjak és kezek sérülését okozhatják..

- Ne próbáljon meg ráülni vagy ráállni készülékének tetejére, mivel nem hasonló használatra tervezték.. Megsérülhet vagy károsíthatja a készüléket.

- Győződjön meg róla, hogy a fő kábel nem csípődött be a készülék alá a mozgatás alatt, mivel ez megsértheti a kábelt

- Ne engedje, hogy a gyerekek játszanak a készülékkel vagy megváltoztassák a vezérlést.

Beüzemelési utasítások

1. Ne tartsa a készüléket olyan helyiségben, ahol a hőmérséklet valószínűleg 10°C (50 F) alá esik éjjel és/vagy különösen télen, mivel +10 és +38°C (50-100 F) közötti külső hőmérsékletre tervezték. Alacsonyabb hőmérsékleten a berendezés lehet, hogy nem működik, az étel tárolási időtartamának csökkenését eredményezve.

2. Ne tegye a berendezést tűzhelyek vagy fűtőtestek közelébe vagy közvetlen napfényre, mivel ez különösen hathat a készülék funkcióira. Ha meleg vagy mélyhűtő mellé helyezi, tartsa be a következő minimális oldaltávolságokat:

Tűzhelyektől 30 mm
Fűtőtestektől 300 mm
Fagyasztóktól 25 mm

3. Győződjön meg róla, hogy elég hely van a berendezés körül, hogy biztosítsa a szabad levegő áramlását **(2 tétel)**.

- Tegye a hátsó szellőző fedelet a hűtőszekrény hátuljára, hogy beállítsa a hűtőszekrény és fal közötti távolságot **(3 tétel)**.

4. A készüléket síma felületre kell helyezni. A két első lábat beállíthatja, ha szükséges. Ahhoz, hogy biztosítsa, hogy a berendezés egyenesen álljon, állítsa a két első lábat az óra járásával megegyező vagy ellentétes irányba fordításával, amíg biztonságos kapcsolatba nem kerül a padlóval. A lábak megfelelő beállításával elkerüli a túlzott rezgést és hangot **(4 tétel)**.

5. Hivatkozzon a „Tisztítás és védelem” részre, hogy a berendezést előkészítse a használatra.


Ismerje meg készülékét (1. tétel)


- 1 - Fagyasztó polc
- 2 - Hőszabályozó és lámpaház
- 3 - Állítható szekrénypolcok
- 4 - Borosüveg tartó
- 5 - Kiolvasztott vízgyűjtő csatorna -
Lecsapoló cső
- 6 - Fiókfedő
- 7 - Crisper
- 8 - Állítható első lábak
- 9 - Tejtermék rekesz
- 10 - Üvegpalc
- 11 - Polc üvegeknek

Javasolt a készülékben lévő étel elrendezése

Útmutatások az optimális tárolás és higiénia eléréséhez:

1. A hűtőszekrény rekesze támogatja a friss ételek és italok rövidtávú tárolását.

2. A fagyasztórekesz  osztályozva van az előfagyasztott étel megfelelő fagyasztása és tárolása miatt.

Az ajánlott  tárolásért mindenkor figyelembe kell venni az étel csomagolásán meghatározottakat.

3. A tejtermékeket különleges rekeszben kell tárolni, amely az ajtóbetétben található.

A friss ételeket alufóliába folpackba csomagolva célszerű lefagyasztani a friss étel rekeszben, majd helyezze át a mélyhűtő rekesz polcára.

Javasoljuk, hogy a mélyhűtő polcot a mélyhűtő rekesz felső részébe helyezze.

4. A főzött ételeket légmentes tartályokban kell tárolni.

5. A frissen csomagolt termékeket tarthatja a polcon. A friss gyümölcsöket és zöldségeket meg kell tisztítani és frissen kell tárolni.

6. A palackokat tarthatja az ajtó részben.

7. A nyers hús tárolásához használjon polietilén zacskókat és helyezze a legalsó polcra. Ne hagyja, hogy főtt ételekkel érintkezzen, hogy elkerülje a szennyeződést. A biztonság érdekében csak 2-3 napig tárolja a nyers húst.

8. A maximális hatékonyság érdekében, ne fedje be papírral vagy egyéb anyaggal a kivehető polcokat, hogy a hideg levegő szabadon áramolhasson.

9. Ne tároljon növényi olajat az ajtópolcokon. A csomagolt ételt tárolja lefedve és becsomagolva. Hagyja kihűlni a forró ételeket és italokat, mielőtt lehűti. Az eltett ételmaradékot ne tárolja dobozban.

10. Ne fagyassza le a szénsavas italokat és termékeket, mint például ízesített vizes fagyalt, mert nem kell túl hidegen fogyasztani.

11. Néhány gyümölcs és zöldség kárt szenved, ha 0°C körül tartják. Ezért az ananászokat, dinnyéket, uborkákat, paradicsomokat és hasonló termékeket csomagolja be polietilén zacskóba.

12. Magas alkoholtartalmú italokat egyenesen, szűken zárt tartóban kell tárolni. Soha ne tároljon olyan terméket, amely gyúlékony hajtógázt (pl. Tejszín sprayt, aeroszolos dobozokat, stb.) vagy robbanásveszélyes anyagokat tartalmaznak. Ezek robbanásveszélyesek.

Hőmérséklet szabályozás és beállítás

A működési hőmérséklet hőszabályozó gombbal vezérelt **(5 tétel)** és és beállíthatja bármilyen állapotba 1 és 5 (a leghidegebb állapot) között.

Ha a hőszabályozó gomb "0" állapotban van, a készülék ki van kapcsolva. Ebben az esetben egyik lámpa sem fog világítani belül. A hűtőszekrény átlagos belső hőmérsékletének +5°C (+41°F) körül kell lennie.

Ezért állítsa be a hőszabályozó gombot, hogy a kívánt hőmérsékletet elérje. A hűtőszekrény néhány része hűvösebb vagy melegebb lehet (mint pl. Salátatároló és a szekrény felső része), ami teljesen normális. Azt ajánljuk, hogy időszakonként ellenőrizze a hőmérsékletet hőmérővel, hogy megbizonyosodjon róla, hogy aszekrény tartja a hőmérsékletet. A gyakori ajtónyitogatások a belső hőmérséklet emelkedését okozzák, ezért használat után tanácsos az ajtót becsukni, amint lehetséges.

A működés megkezdése előtt

Végső ellenőrzés

Mielőtt elkezdi használni a készüléket, ellenőrizze, hogy:

1. A lábak a megfelelő szintre vannak beállítva.
2. A belseje száraz és a levegő szabadon tud keringeni a hátsó résznél.
3. A belseje tiszta a „Tisztítás és védelem” részben leírtak alapján.
4. A dugó be van helyezve a fali csatlakozóba és az áram be van kapcsolva. Ha az ajtó nyitva van, a belső világítás bekapcsol.

És jegyezze meg, hogy:

5. Hangot fog hallani, amint a kompresszor beindul. A folyadék és a gázok, amelyeket a hűtésrendszeren belül lezártak szintén (hangot) adhatnak ki, akár működik a kompresszor, akár nem. Ez teljesen normális.
6. A szekrény tetejének jelentéktelen hullámozása teljesen normális a gyártó által használt eljárásnak köszönhetően, ez nem hiba.

7. Azt ajánljuk, hogy a hőszabályozó gombot középre állítsa és kísérelje figyelemmel a hőmérsékletet, hogy biztosítsa a készülék kívánt hőmérsékletének fenntartását (Lásd Hőmérséklet szabályozás és beállítás rész).

8. Ne tölts fel azonnal a készüléket, ha bekapcsolja. Várjon, míg a készülék eléri a megfelelő tárolási hőmérsékletet. Azt tanácsoljuk, hogy ellenőrizze a hőmérsékletet pontos hőmérővel (lásd Hőmérséklet vezérlés és beállítás).

Mélyhűtött étel tárolása

A mélyhűtője alkalmas a kereskedelmileg lefagyasztott ételek hosszútávú tárolására és arra is használhatják, hogy friss ételt tároljon és fagyasszon.

Ha áramszünet van, ne nyissa ki az ajtót. A mélyhűtött ételre nincs hatással, ha az áramkimaradás kevesebb, mint 16 óráig tart. Ha hosszabb az áramszünet, ellenőrizze az ételt, amit azonnal ettek vagy főztek, majd lefagyasztottak.

Friss étel lefagyasztása

Kérem vegye figyelembe a következő utasításokat, hogy a legjobb eredményeket érje el.

Ne fagyasszon le egyszerre túl nagy mennyiséget. Az étel minősége akkor a legjobban konzervált, ha olyan gyorsan van lefagyasztva, amennyire lehetséges. Ne lépje túl 24 órán belül a készüléke fagyasztó kapacitását.

A mélyhűtőbe helyezett meleg étel a hűtőgép lehülését okozza, amíg az étel folyamatosan fagyottá nem szilárdul. Ez a hűtőrekesz ideiglenes túlzott lehüléséhez vezethet.

Ha friss ételt fagyaszt le, tartsa a hőszabályozó gombot középső állásban. Kis mennyiségű ételt ½ kg-ig (1 lb) lefagyaszthat anélkül, hogy a hőmérsékletet szabályozó gombot beállítaná.

Különösen figyeljen arra, hogy ne keverje a már lefagyasztott és friss ételeket.

Jégkockák készítése

Töltse meg a jégkocka tartót $\frac{3}{4}$ -ig vízzel és helyezze a fagyasztóba. Lazítsa meg a tálcát egy kanál nyelével vagy hasonló eszközzel, soha ne használjon éles szélű tárgyakat, mint pl. kés vagy villa.

Kiolvasztás

A) Hűtőszekrény rekesz

A hűtőszekrény rekesze automatikusan felenged. A kiolvasztott víz a lefolyócsőhöz fut egy a készülék hátulján található gyűjtőtartályon keresztül **(5 tétel)**.

Kiolvasztás alatt a hűtőszekrény hátsó oldalán vízcseppek keletkezhetnek, ahol egy elrejtett párologtató van elhelyezve. Néhány csepp a borításon maradhat és visszafagyhat, ha a kiolvasztás befejeződött. Ne használjon hegyes vagy éles szélű tárgyakat, mintpl. Kés vagy villa, hogy a visszafagyott cseppeket eltávolítsa. Ha a kiolvasztott víz bármikor nem folyik le a gyűjtő csatornából, ellenőrizze, hogy nem tömítették –e el ételrészek a lefolyócsövet. A lefolyócsövet csőtisztítóval vagy hasonló eszközzel tisztíthatja.

Ellenőrizze, hogy a cső vége mindig a kompresszoron lévő tálcában legyen, biztosítva ezzel, hogy a víz ne folyék az elektromos alkatrészekre vagy a padlóra **(6 tétel)**.

B) Mélyhűtő rekesz

A kiolvasztás a különleges kiolvasztó gyűjtőmedencének köszönhetően nagyon egyszerű és koszmentes.

Olvassa ki évente kétszer vagy ha kb. 7 mm (1/4") fagyréteg alakult ki. A kiolvasztás eljárás elindításához kapcsolja ki a készüléket a fali kimenetnél és húzza ki a fődugót.

Minden ételt be kell csomagolni több rétegben újságpapírba és hűvös helyen kell tárolni (hűtőszekrényben vagy kamrában).

Melegvizes tartályokat helyezhet el óvatosan a mélyhűtőben, hogy felgyorsítsa a kiolvasztást.

Ne használjon hegyes vagy éles szélű tárgyakat, mintpl. Kés vagy villa, hogy a fagyot eltávolítsa.

Soha ne használjon hajszárítót, elektromos fűtőtestet vagy egyéb elektromos berendezést a kiolvasztáshoz.

Törölje ki szivaccsal a mélyhűtő rekeszének aljában összegyűlt kiolvasztott vizet. A felengedés után alaposan szárítsa meg a belső részt. Helyezze a dugót a fali csatlakozóba és kapcsolja be az elektromos áramot.

Belső villanykörte cseréje

A hűtőszekrény lámpájának cseréjéhez, kérjük, hívja fel a szakszervizt.

A készülékben lévő lámpa/lámpák háztartásban lévő helyiségek megvilágítására nem alkalmas/alkalmasak. A lámpa rendeltetése, hogy segítse a felhasználót az élelmiszerek

hűtőszekrénybe/fagyasztószekrénybe való gyors és biztonságos behelyezésében.

A készülékben használt lámpáknak extrém környezeti hatásokat kell kibírniuk, mint pl. A -20°C hőmérséklet.

Tisztítás és védelem

1. Azt tanácsoljuk, hogy kapcsolja ki a készüléket és húzza ki a fő dugót, mielőtt tisztítja.

2. Soha ne használjon éles tárgyat vagy csiszoló anyagot, szappant, háztartási tisztítót, tisztítószeret vagy wax polírozót a tisztításhoz.

3. Használjon langyos vizet a készülék vitrinjének tisztításához és törölje szárazra.

4. Használjon nedves, kicsavart ruhát egy teáskanálnyi bikarbónát, szódát fél liternyi vízben feloldva a tisztításhoz és törölje szárazra.

5. Győződjön meg róla, hogy nem került víz a hőmérsékletszabályozó dobozba.

6. Ha a készüléket hosszú ideig nem használják, kapcsolja ki, távolítsa el minden élelmiszert, tisztítsa meg és hagyja félig nyitva az ajtót.

7. Azt tanácsoljuk, hogy a termék fémrészeit (pl.: külső ajtó, vitrin oldalak) szilikon wax-szal (autó polírozó) polírozza, hogy a minőségi fedőfestést megóvja.

8. Bármilyen port, amely felgyülemlik a kondenzátoron a készülék hátulján, távolítsa el évente egyszer vákuumos tisztítóval.

9. Rendszeresen ellenőrizze az ajtó tömítéseket, hogy meggyőződjön róla, hogy tiszták és ételmaradékoktól mentesek.

10. Soha:

- Ne tisztítsa a készüléket arra alkalmatlan anyagokkal, pl.: petróleum alapú termékekkel.
- Semmilyen körülmények között ne szolgáltatassa ki magas hőnek.
- Ne tisztítsa, súrolja, stb., csiszoló anyaggal.

11. A tejtermék fedelének és ajtótalca eltávolítása:

- A tejtermék fedelének eltávolításához, először emelje fel a fedelet egy arasznyira és húzza ki azt az oldalát, ahol a fedél nyitva van.
- Az ajtótalca eltávolításához vegyen ki onnan mindent majd egyszerűen tolja fel az alapzatról.

12. Győződjön meg róla mindig, hogy mindig tiszta a készülék hátulján a különleges műanyag tartály, amely összegyűjti a felolvasztott vizet. Ha el akarja távolítani a tálcát, hogy megtisztítsa, kövesse az alábbi utasításokat:

- Kapcsolja ki az áramkört és húzza ki a fő dugót
- Finoman ondolálja a csavart a kompresszoron, fogót használva, így a tálcát eltávolítható
- Emelje fel.
- Tisztítsa meg és törölje szárazra
- Állítsa össze újra, fordítsa meg a sorrendet és műveletet.

13. A jég nagy felhalmozódása gyengíteni fogja a fagyasztó teljesítményét.

Ajtó áthelyezése

Eljárás számsorrendben (7 tétel).

Tegye és ne tegye

Tegye- Rendszeresen tisztítsa és olvassza ki a készüléket (Lásd „Kiolvasztás”)

Tegye- Tartsa a nyers és baromfi húst a főzött étel és tejtermék alatt.

Tegye- Távolítsa el minden használhatatlan levelet a zöldségekről és töröljön le róla minden földet.

Tegye- Hagyja a salátát, káposztát, petrezselymet és karfiolt a törzsön.

Tegye- Először csomagolja be a sajtot zsírpapírba, majd polietilén zacskóba, annyira kizárva a levegőt, amennyire lehetséges. A legjobb eredményért, vegye ki egy órával korábban a hűtőből.

Tegye- A nyers húst és szárnyasokat csomagolja lazán polietilén vagy alufóliába. Ez megakadályozza a kiszáradást.

Tegye- A halakat és belsejüket polietilén zacskóba csomagolja.

Tegye- Az erős szaggal rendelkező vagy gyorsan kiszáradó ételeket csomagolja polietilén zacskókba vagy alufóliába vagy helyezze légmentes tartályba.

Tegye- Jól csomagolja be a kenyeret, hogy friss maradjon.

Tegye- Hűtse le a fehér borokat, sört, világos sört és ásványvizet, mielőtt felszolgálná.

Tegye- Ellenőrizze időnként a mélyhűtő tartalmát.

Tegye- Addig tartsa az ételt, amíg lehetséges és ragasszon fel „Szavatosság lejár” és „Alkalmazható” stb. Dátumokat.

Tegye- A kereskedelmileg lefagyasztott ételeket a csomagoláson megadott utasításoknak megfelelően tárolja.

Tegye- Mindig kiváló minőségű friss ételt válasszon és győződjön meg róla, hogy alaposan meg van tisztítva, mielőtt lefagyasztja.

Tegye- A friss ételt kis adagokban készítse elő, hogy biztosítsa a gyors lefagyasztást.

Tegye- Minden ételt csomagoljon be alufóliába vagy a fagyasztóhoz használt polietilén zacskókba és gondoskodjon a légmentességükről.

Tegye- A fagyasztott ételt azonnal csomagolja be, miután megvásárolta és tegye a fagyasztóba, amint lehetséges.

Tegye- Az ételt a hűtőszekrény rekeszében olvassza ki.

Ne tegye- Ne tárolja a banánt a hűtőszekrény rekeszében.

Ne tegye- Ne tárolja a dinnyét a hűtőszekrényben. Rövid idő alatt lehűlhet, amíg be van csomagolva megakadályozza, hogy másik ételt izesítsen.

Ne tegye- Ne fedje be a polcokat semmilyen védőanyaggal, amely akadályozhatja a levegő áramlását.

Ne tegye- Ne tároljon mérgező vagy bármilyen veszélyes anyagot a készülékben. A készüléket csak ehető élelmiszerek tárolására tervezték.

Ne tegye- Ne fogyasszon olyan ételt, amely túl sokáig volt lefagyasztva.

Ne tegye- Ne tároljon főtt és friss ételt ugyanabban a tárolóban. Elkülönítve kell csomagolni és tárolni.

Ne tegye- Hagyja felengedni az ételt vagy gyümölcslevet.

Ne tegye- Ne hagyja nyitva az ajtót hosszú ideig, mert költségesebbé válik a működés és túlzott jégképződést okoz.

Ne tegye- Ne használjon a jég eltávolításához éles szélű tárgyakat, mint pl. kést vagy villát.

Ne tegye- Ne tegyen forró ételt a készülékbe. Először hűtse le.

Ne tegye- Ne tegyen szénsavas folyadékkal teli palackokat vagy tartályokat a fagyasztóba, mert szétrobbanhat.

Ne tegye- Ne lépje túl a maximális fagyasztási töltetet, amikor friss ételt fagyaszt.

Ne tegye- Ne adjon a gyerekeknek jégkrémet vagy jeges vizet közvetlenül a fagyasztóból. AZ alacsony hőmérséklet a mélyhűtő leégését okozhatja a széleken.

Ne tegye- Ne fagyassza le a szénsavas italokat.

Ne tegye- Ne próbáljon meg mélyhűtött ételt tárolni, amelyet 24 órán belül le kell fagyasztani vagy meg kell főzni.

Ne tegye- Ne távolítsa el nedves kézzel a teteleket a hűtőszekrényből.

Problémakeresés


Ha a készülék nem működik, amikor bekapcsolja, akkor ellenőrizze,

- Hogy a dugó megfelelően van-e bedugva a fali csatlakozóba és hogy van-e áram. (Az elektromos áramellátás ellenőrzéséhez dugjon be más készüléket)
- Vajon a biztosíték ki van-e ütve/ az áramkörmegszakító kiment-e/ a fő elosztó ki van-e kapcsolva.
- Hogy a hőmérséklet szabályozó megfelelően van-e beállítva.
- Hogy az új dugó helyesen van-e bekötve, ha megváltoztatta az illesztést és formadugót.

Ha a készülék még mindig egyáltalán nem működik a fenti ellenőrzések után, lépjen kapcsolatba a kereskedővel, akinél a készüléket vásárolta.

Kérem bizonyosodjon meg róla, hogy a fenti ellenőrzéseket elvégezte, mert felszámíthatják, ha nem találnak hibát.



A terméken vagy a csomagoláson található  ábra azt jelzi, hogy a termék nem kezelhető háztartási hulladékként, hanem a megfelelő, az elektromos és elektronikus felszerelések újrahasznosítására létesült begyűjtő pontokban kell leadni. Ha gondoskodik a termék megfelelő leselejtezéséről, segít megelőzni azokat a környezetre és egészségre káros hatásokat, amelyeket a termék nem megfelelő leselejtezése eredményezne. A termék leselejtezésével kapcsolatos további részletekért forduljon a lakóhelyén található háztartási hulladék begyűjtőhöz vagy az áruházhoz, ahol a terméket megvásárolta.

Вітаємо вас з придбанням високоякісного холодильника БЕКО Вам служити тривалий час.

Безпека перш за все!

Не вмикайте холодильник до електромережі, доки не приберете всю упаковку і транспортувальні кріплення.

- Якщо ви перевозили холодильник у горизонтальному положенні,

Не вмикайте його після розпакування принаймні 4 години, для того, щоб всі системи прийшли до норми.

- Якщо ви викидаєте старий холодильник, і в нього на дверях є замок чи засув, впевніться, що вони в робочому стані, щоб діти граючись, випадково не опинилися в ньому зачиненими.

- Холодильник має використовуватись лише за призначенням.

- Позбуваючись старого холодильника, не намагайтеся його спалити. В теплоізоляції холодильника використовуються займісті матеріали. Ми радимо вам зв'язатися з місцевими органами влади для отримання інформації стосовно того, куди можна викинути старий холодильник.

- Ми не рекомендуємо користуватися холодильником в неопалюваному, холодному місці (наприклад, гаражі, на складі, в прибудові, під навісом, у надвірній прибудові і т.н.) Щоб забезпечити максимально ефективну і безперебійну роботу холодильника, дуже важливо уважно прочитати цю інструкцію. Поламка холодильника в результаті недотримання наших рекомендацій може позбавити Вас права на безкоштовне обслуговування впродовж гарантійного періоду.

Будь ласка, зберігайте цю інструкцію в надійному місці, щоб її можна було легко знайти в разі необхідності.

Пристрій не призначений для використання людьми зі зниженими фізичними або розумовими здібностями, а також порушеннями чутливості. Люди, що не мають досвіду поводження з даними пристроєм, можуть використовувати його лише під наглядом досвідчених осіб, відповідальних за безпеку. Використання пристрою дітьми також має відбуватися під контролем дорослих.

Вимоги до електропостачання

Перед тим, як вставити штепсель до електричної розетки, впевніться, що напруга і частота струму, вказані на заводській марці всередині холодильника, відповідають напрузі та частоті струму у Вашому будинку. Ми рекомендуємо підключати холодильник до електромережі через розетку, належним чином встановлену у легкодоступному місці.

Увага! Холодильник має бути заземлений.

Ремонт електричного обладнання має виконуватися лише кваліфікованим спеціалістом. Неправильний ремонт, виконаний некваліфікованою людиною, пов'язаний з ризиком і холодильник може стати небезпечним в експлуатації.

Увага!

В системі охолодження холодильника циркулює газ R600a, що не має шкідливого впливу на навколишнє середовище, але легко займається. Під час транспортування та встановлення холодильника намагайтесь не пошкодити систему охолодження. Якщо пошкодження таки сталося і має місце витік газу з системи охолодження, слідкуйте за тим, щоб поряд із холодильником не було джерел відкритого вогню добре провітріть приміщення.

УВАГА - Не користуйтесь жодними механічними пристосуваннями окрім тих, що рекомендуються в цій інструкції для прискорення розморожування холодильника та очищення морозильної камери від льоду.

УВАГА - Не допускайте пошкоджень системи охолодження.

УВАГА - Не встановлюйте всередині холодильника електричних пристосувань, окрім тих, що рекомендовані виробником холодильника.

УВАГА - Для запобігання нещасним випадкам, якщо шнур живлення пошкоджений, його має замінити виробник, його спеціаліст з сервісу чи інша особа, котра має аналогічну кваліфікацію.

Інструкція з транспортування

1. Холодильник має транспортуватися лише у вертикальному стані.

Заводська упаковка під час транспортування має залишитись непошкодженою.

2. Якщо холодильник під час транспортування був розміщений горизонтально, ним не слід користуватися принаймні 4 години, щоб всі його системи прийшли до норми.

3. Виробник не несе відповідальності за пошкодження холодильника, якщо порушуються вищезгадані рекомендації.

4. Холодильник має бути захищений від дощу, вологи та інших атмосферних впливів.

Важливе зауваження!

- Слід бути обережними під час чистки або переміщення холодильника і не торкатися металічних частин конденсатора в задній частині холодильника, бо в результаті можна пошкодити пальці та руки.

- Не сідайте і не ставайте на холодильник. Він для цього не призначений. Ви можете отримати травму чи пошкодити холодильник.

- Впевніться, що електричний провід не потрапив під холодильник під час і після переміщення холодильника, інакше його можна пошкодити.

- Не дозволяйте дітям гратися з холодильником або гратися з ручками чи кнопками керування.

Інструкція зі встановлення

1. Не ставте холодильник в приміщенні, де температура може опускатися нижче 10 °C вночі або, особливо, взимку, оскільки холодильник розрахований на роботу за температури навколишнього середовища в межах від +10 до +38 °C. За більш низької температури холодильник може не працювати і термін зберігання продуктів в ньому має бути скорочений.

2. Не встановлюйте холодильник поблизу від кухонних плит або радіаторів опалення чи на прямому сонячному світлі, оскільки це викличе додаткове навантаження на агрегати холодильника. Якщо ви змушені встановлювати холодильник поряд із

джерелом тепла або морозильником, забезпечте наступну мінімальну відстань:
 від кухонних плит 30 мм
 від радіаторів опалення 300 мм
 від морозильників 25 мм

3. Намагайтесь, щоб навколо холодильника було достатньо вільного місця і повітря вільно циркулювало (**див. мал. 2**).

• Встановіть вентиляційну кришку на задньому боці холодильника для того, Щоб забезпечити необхідну відстань між холодильником і стіною (**див. мал. 3**).

4. Холодильник має стояти на рівній поверхні. Дві передні ніжки мають бути відповідним чином відрегульовані. Щоб досягти суворо вертикального положення холодильника, відрегулюйте ніжки, обертаючи їх за або проти годинникової стрілки, доки вони не будуть стійко стояти на підлозі.

Правильне регулювання ніжок холодильника попереджує надмірну вібрацію та шум (**див. мал. 4**).

5. Зверніться до розділу “Чищення холодильника і догляд за ним”, щоб підготувати холодильник до експлуатації.

Загальні відомості про холодильник:

(Мал. 1)

- 1 - Поличка морозильної камери
- 2 - Коробка термостату та лампочка внутрішнього освітлення
- 3 - Знімні полички
- 4 - Полиця для вин
- 5 - Кришка ящика для овочів
- 6 - Ящики для овочів
- 7 - Регульовані ніжки
- 8 - Відділення для молочних продуктів
- 9 - Відділення для молочних продуктів
- 10 - Додаткові ємкості
- 11 - Поличка для пляшок

Рекомендований спосіб розміщення продуктів у холодильнику.

Рекомендації з оптимального зберігання та дотримання санітарних норм:

1. Холодильне відділення призначене для нетривалого зберігання свіжих продуктів та напоїв.

2. Морозильна камера має заморожувальну здатність в три зірочки і призначена для зберігання заморожених продуктів. Рекомендації зі зберігання заморожених продуктів вказані на їх упакуванні і їх слід дотримуватися в усіх випадках.

3. Приготовані страви мають зберігатися в щільно закритому посуді.

4. Свіжі продукти в упаковці можна зберігати на полиці. Свіжі фрукти та овочі мають бути чистими та зберігатися в ящику для овочів.

5. Пляшки можна зберігати у спеціальному відділенні на дверях.

6. Сире м'ясо зберігайте у поліетиленових пакетах на найнижчій полиці. Не допускайте контакту сирого м'яса з готовими стравами, щоб уникнути зараження з метою безпеки зберігайте сире м'ясо лише два-три дні.,

7. Для максимально ефективної роботи холодильника, знімні полички не повинні бути накриті папером або іншим матеріалом, що перешкоджає вільній циркуляції холодного повітря.

8. Не тримайте рослинну олію на полицях з внутрішньої сторони дверцят. Зберігайте продукти загорнутими, упакованими або під кришкою.

Охолодіть гарячі продукти або напої перш ніж ставити їх в холодильник. Відкриті консерви не повинні зберігатися у консервних банках.

9. Не можна заморожувати газовані напої, а лід з ароматизованої води не варто вживати надто холодним.

10. Деякі овочі та фрукти псуються від температури, близької до 0° С. Тому тримайте ананаси, диню, огірки, томати та інші подібні продукти у поліетиленових пакетах.

11. Міцні спиртні напої повинні зберігатися у вертикальних, щільно закритих ємкостях. Ніколи не зберігайте у холодильнику продукти, що містять легкозаймистий газ (наприклад, вершки з розпилювачем, консерви в аерозольному упакуванні и т.п.) або вибухові речовини.

Це може бути небезпечно.

Регулювання температури.

Температура всередині холодильника регулюється ручкою термостату, що може бути встановлена в будь-яке положення між 1 і 5 (максимально низька температура).

Середня температура всередині холодильного відділення має бути +5 °С. Тому встановіть термостат в положення, що забезпечить потрібну температуру. В різних місцях всередині холодильного відділення (наприклад, ящика для овочів або у верхній частині відділення) температура може бути вище або нижче, що цілком нормально.

Ми радимо періодично перевіряти точним термометром чи зберігається всередині холодильника потрібна температура. В разі частого відчинення дверцят холодне повітря виходить з холодильника і температура всередині підвищується, тому не залишайте дверцята відчиненими і намагайтеся зачиняти їх якомога швидше.

Перед початком роботи

Остання перевірка

Перед початком експлуатації холодильника перевірте наступне:

1. Передні ніжки мають бути відрегульовані так, щоб забезпечувати стійке положення холодильника.
2. Всередині холодильника має бути сухо, повітря за ним повинно циркулювати вільно.
3. Холодильник всередині має бути чисто вимитим, як рекомендується у розділі , “Чищення холодильника і догляд за ним”.
4. Штепсель повинен бути вставлений у розетку та електричний струм ввімкнутий. Коли відчиняються дверцята холодильного відділення, має загорятись лампочка внутрішнього освітлення.

Зверніть увагу на те, що:

5. Ви будете чути шум при ввімкненні компресора. Рідина та газ всередині системи охолодження також можуть створювати деякий шум, незалежно від того, працює компресор чи ні. Це цілком нормально.
6. Верхня частина буде трохи вібрувати. Це нормально і не є дефектом.

7. Ми радимо встановити термостат в середнє положення і деякий час спостерігати за температурою, щоб пересвідчитись, що холодильник підтримує потрібну температуру зберігання (див. розділ «Регулювання температури»).

8. Не завантажуйте холодильник одразу після ввімкнення. Зачекайте, доки всередині не встановиться потрібна температура. Ми радимо перевіряти температуру точним термометром(див. розділ «Регулювання температури»).

Зберігання заморожених продуктів

Холодильник розрахований на тривале збереження харчових продуктів, заморожених промисловим способом, а також може бути використаний для замороження і зберігання свіжих продуктів. В разі перебоїв із електропостачанням не відкривайте дверцята холодильника. Заморожені продукти не постраждають, якщо електропостачання перервано менше, ніж на 16 годин.

Якщо струму немає більш тривалий час, то слід перевірити продукти, що зберігаються і негайно використати їх або проварити і заморозити знову.

Заморожування свіжих продуктів

Не заморожуйте продукти одразу в надто великій кількості за один раз.

Продукти краще зберігаються, якщо вони проморожені наскрізь максимально швидко. Не перевантажуйте морозильну камеру більше, ніж на добу.

Якщо покласти до морозильної камери теплі продукти, то агрегати холодильника повинні будуть працювати безперервно, поки продукти не заморозяться. На якийсь час це призведе до надмірного зниження температури в холодильному відділенні. Заморожуючи свіжі продукти, встановлюйте термостат в середнє положення. Невеликі порції продуктів (до 0,5 кг) можна заморожувати без зміни положення термостату.

Особливо ретельно слідкуйте за тим, щоб не зберігати разом заморожені та свіжі продукти.

Заморожування льоду

Заповніть лоток для льоду водою на 3/4 і помістіть його у морозильне відділення. Діставайте кубики льоду ручкою ложки або іншим подібним інструментом; ніколи не користуйтеся гострими або ріжучими предметами.

Розморожування:

А) Холодильне відділення

Холодильне відділення розморожується автоматично. Тала вода стікає до дренажної трубки через накопичувальний контейнер в задній частині холодильника. **(див. мал. 5).**

Під час розморожування краплі води можуть накопичуватися у задній частині холодильного відділення, де розміщений прихований випаровувач. Вони можуть залишитися на стінці випаровувача, де повторно замерзнуть, коли закінчиться розморожування. Не видаляйте замерзлі краплі гострими або ріжучими предметами на зразок ножів або виделок. Якщо в якусь мить ви побачите, що тала вода не витікає з накопичувального контейнера, перевірте, чи не забила дренажна трубка в результаті потрапляння частинок продуктів. Дренажну трубку можна продути будь-яким пристроєм для прочистки.

(див. мал. 6).

В) Морозильна камера

Морозильна камера розморожується дуже просто і без зайвого клопоту завдяки наявності спеціального піддону для збирання талої води.

Розморожуйте камеру двічі на рік або коли накопичиться шар наморозі товщиною до 7 мм. Щоб розпочати розморожування, вимкніть холодильник з мережі, витягнувши штепсель з електричної розетки.

Всі продукти слід загорнути в кілька шарів паперу і скласти в прохолодному місці (наприклад, холодильнику або коморі). Для того, щоб прискорити розморожування, можна поставити до морозильної камери ємність з теплою водою.

Не користуйтеся гострими або ріжучими предметами, на зразок ножів або виделок для того, щоб видалити наморозь.

Ніколи не користуйтеся феном, електричним обігрівачем або будь-яким іншим електричним приладом для розмороження.

Видаліть губкою талу воду, що зібралась на дні морозильної камери. Після розморожування витріть насухо внутрішню поверхню камери.

Вставте штепсель в розетку і ввімкніть холодильник.

Заміна лампочки всередині холодильника

Для заміни лампи освітлення холодильника зверніться до авторизованого сервісного центру.

Ламп(и) з цього пристрою не призначена(и) для освітлення кімнати. Призначення цієї лампи - полегшити розташування продуктів у холодильнику / морозильнику безпечним та зручним чином.

Лампи, що використовуються у цьому пристрої, повинні витримувати важкі умови експлуатації, такі як температура нижче -20°C .

Чищення холодильника і догляд за ним

1. Ми радимо вам вимикати холодильник вимикачем і витягувати штепсель з електричної розетки перед чищенням.
2. Ніколи не користуйтеся для чищення холодильника гострими інструментами або абразивними матеріалами, милом, побутовими засобами для чищення, миючими або поліруючими засобами.
3. Для чищення корпусу холодильника користуйтеся теплою водою і витирайте його насухо.
4. Змочіть ганчірку у розчині харчової соди (одна чайна ложка на півлітра води) для того, щоб вимити холодильник всередині, і протріть всі поверхні насухо.
5. Слідкуйте за тим, щоб вода не потрапляла до коробки термостату.
6. Якщо ви не збираєтесь користуватися холодильником тривалий час, вимкніть його, заберіть з нього всі продукти, вимийте зсередини та залишіть дверцята не причиненими
7. Ми радимо Вам полірувати металеві частини корпусу (тобто зовнішню поверхню дверей, бокові стінки) силіконовою мастикою (автомобільний поліроль) для того, щоб зберегти високу якість пофарбування.
8. Пил, що збирається на конденсаторі, розташованому в задній частині холодильника, слід раз на рік видаляти пилососом.

9. Регулярно перевіряйте ущільнення дверцят, щоб пересвідчитися, що воно чисте і на ньому немає залишків продуктів.

10. Ніколи:

- не чистіть холодильник не призначеними для цього засобами, такими, як наприклад, речовини, що містять бензин;
- не піддавайте холодильник впливу високої температури;
- не мийте, не протирайте і т.п. холодильник, використовуючи абразивні матеріали.

11. Слідкуйте за тим, щоб пластмасовий лоток, розташований у задній частині холодильника для збирання талої води був завжди чистим.

Якщо вам треба витягнути його, щоб помити, дотримуйтесь наведених нижче рекомендацій:

- вимкніть вимикач біля лампочки і витягніть штепсель з розетки;
- обережно розігніть плоскогубцями зачіпку на компресорі, щоб

12. Для того, щоб витягнути висувний ящик, потягніть його на себе до кінця, при підніміть і витягніть зовсім.

Перенавішування дверцят

Виконайте дії в послідовності, вказаній на схемі (Мал. 7).

Що слід і чого не можна робити

Слід - регулярно чистити і розморожувати холодильник (див. розділ «Розморожування»)

Слід - зберігати сире м'ясо і птицю на нижніх полицях, під полицями, на яких стоять готові страви та молочні продукти.

Слід - очищати овочі від землі та видаляти невикористовуване листя.

Слід - не відрізати листя салату та петрушки від коренів, а звичайну та кольорову капусту від качана.

Слід - сир спершу загортати у пергаментний папір, а потім класти до поліетиленового пакету, видаляючи з пакету все повітря. Для поліпшення смакових якостей сиру, рекомендується діставати його з холодильника за годину до вживання.

Слід - класти сире м'ясо та птицю до поліетиленового пакету або алюмінієвої фольги, не заортаючи сильно. Це запобігає висушуванню.

Слід - класти рибу та тельбухи до поліетиленового пакету.

Слід - загортати продукти, що мають сильний запах, чи продукти, що можуть висохнути, у поліетиленовий пакет або алюмінієву фольгу чи зберігати їх в щільно закритому посуді.

Слід - ретельно запаковувати хліб, щоб зберегти його свіжим.

Слід - охолоджувати білі вина, пиво та мінеральну воду перед вживанням.

Слід - частіше перевіряти продукти, що зберігаються у морозильній камері.

Слід - зберігати продукти впродовж якомога меншого часу і суворо дотримуватися термінів зберігання.

Слід - зберігати готові заморожені продукти відповідно до інструкцій, вказаних на упаковці.

Слід - завжди вибирати свіжі продукти високої якості і ретельно мити їх перед замороженням.

Слід - ділити свіжі продукти на маленькі порції, щоб вони швидше заморожувались.

Слід - загортати всі продукти в алюмінієву фольгу або спеціальні поліетиленові пакети для морозильника

і видаляти з упаковки все повітря.

Слід - якомога скоріше загортати щойно куплені заморожені продукти і класти їх до морозильної камери.

Слід - розморожувати заморожені продукти у холодильному відділенні.

Не слід - зберігати у холодильнику банани.

Не слід - зберігати в холодильнику диню. Її можна охолодити впродовж короткого часу, якщо вона загорнута так, щоб її запахом не пропахли інші продукти.

Не слід - закривати полиці будь-якими захисними матеріалами, що можуть перешкоджати циркуляції повітря.

Не слід - зберігати в холодильнику отруйні або небезпечні речовини.

Холодильник призначений лише для зберігання харчових продуктів.

Не слід - вживати продукти, що зберігалися в холодильнику понад припустимий час.

Не слід - зберігати разом в одному посуді готові страви та свіжі продукти. Вони мають бути покладені до різних контейнерів і зберігатися окремо.

Не слід - допускати, щоб рідина з продуктів, що розморожуються, крапала на інші продукти, які зберігаються в холодильнику.

Не слід - залишати дверцята холодильника відчиненими впродовж тривалого часу, бо це призведе до додаткових витрат в його експлуатації.

Не слід - використовувати гострі або ріжучі предмети, на кшталт ножів або виделок для видалення наморозі.

Не слід - ставити до холодильника гарячі продукти. Треба спершу дати їм прохолонути.

Не слід - класти до морозильної камери пляшки, наповнені водою, або не відкриті банки газованої води, бо вони можуть розірватися.

Не слід - переповнювати надміру морозильну камеру під час замороження свіжих продуктів.

Не слід - давати дітям морозиво або фруктову воду прямо з морозильної камери. Вони можуть обморозити губи.

Не слід - заморожувати газовані напої.

Не слід - тривалий час зберігати розморожені продукти, їх треба використати впродовж доби або проварити і заморозити знов.

Не слід - діставати продукти з холодильника мокрими руками


Усунення несправностей

Якщо холодильник не працює, коли його ввімкнено, пересвідчіться:

- що штепсель вставлений до електричної розетки правильно і що електричний струм не вимкнений. (Для перевірки наявності струму ввімкніть до цієї розетки інший прилад);
- що не згорів запобіжник, не вимкнувся вимикач, чи не вимкнений головний вимикач на розподільчому щитку;

- що регулятор температури встановлений вірно;
- що новий штепсель, що використовується замість заводського, поставлений вірно. Якщо холодильник все ще не працює після того, як Ви виконали перераховані вище перевірочні дії, порадьтеся із продавцем, в якого ви придбали холодильник. Будь ласка, пересвідчіться, що перевірили все, що могли, бо в іншому разі може виявитися, що Вам доведеться платити гроші, якщо пошкодженень не буде виявлено.



Символ  на виробі чи упаковці вказує, що цей прилад не слід утилізувати з побутовими відходами. Натомість його треба здати у відповідний пункт збору для утилізації електричного та електронного обладнання. Забезпечуючи належну утилізацію цього приладу, ви сприятимете запобіганню потенційним негативним наслідкам для довкілля та здоров'я людини, які можуть бути спричинені неправильним ставленням до утилізації цього виробу. За докладнішою інформацією щодо утилізації цього виробу зверніться до місцевої адміністрації, служби утилізації побутових відходів або до магазину, в якому ви придбали прилад.

**Виробник: 'S.C. Arctic S.A.',
Gaesti, str.13 Desembrer №210,
Romania (Румунія)**

**Офіційний представник на території
України: ПП Коннект м.Хмельницький,
вул Чорновола 23**

Термін служби 10 років

Дата виробництва міститься в серійному номері продукту, що вказаний на етикетці, розташованій на продукті, а саме, перші дві цифри серійного номера позначають рік виробництва, а останні дві - місяць. Наприклад, «10-100001-05» означає, що продукт виготовлений в травні 2010 року. Інформацію про сертифікацію продукту Ви можете уточнити, зателефонувавши на гарячу лінію 0-800-500-4-3-2.

4578331806/AK
EN,PL,CZ,SK,HU,UKR

www.beko.com