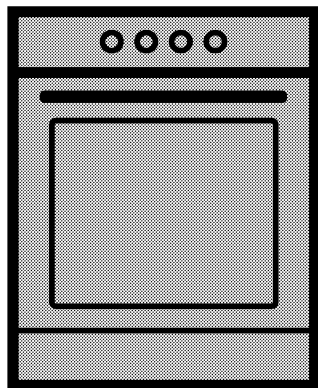


Oven

User manual



CSS 57100 GW

EN | BG | SB

485.3009.41/R.AB/06.10.2015/5-1

Please read this user manual first!

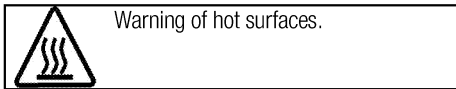
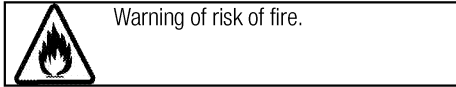
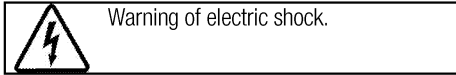
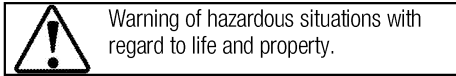
Dear Customer,

Thank you for purchasing this Beko product. We hope that you get the best results from your product which has been manufactured with high quality and state-of-the-art technology. Therefore, please read this entire user manual and all other accompanying documents carefully before using the product and keep it as a reference for future use. If you handover the product to someone else, give the user manual as well. Follow all warnings and information in the user manual.

Remember that this user manual is also applicable for several other models. Differences between models will be identified in the manual.

Explanation of symbols

Throughout this user manual the following symbols are used:



Arçelik A.Ş.
Karaağaç caddesi No:2-6
34445 Sütlüce/İstanbul/TURKEY
Made in TURKEY



This product was manufactured using the latest technology in environmentally friendly conditions.

TABLE OF CONTENTS

1 Important instructions and warnings for safety and environment 4

General safety	4
Electrical safety	4
Product safety	5
Intended use	7
Safety for children.....	8
Disposing of the old product.....	8
Package information	8

2 General information 9

Overview	9
Package contents	10
Technical specifications	11

3 Installation 12

Before installation	12
Installation and connection	13
Future Transportation.....	14

4 Preparation 15

Tips for saving energy	15
Initial use.....	15
First cleaning of the appliance	15
Initial heating.....	15

5 How to use the hob 16

General information about cooking	16
Using the hobs.....	16

6 How to operate the oven 18

General information on baking, roasting and grilling.....	18
How to operate the electric oven	18
Operating modes.....	19
Using the oven clock.....	19
Cooking times table.....	20
How to operate the grill.....	21
Cooking times table for grilling.....	21

7 Maintenance and care 22

General information.....	22
Cleaning the hob	22
Cleaning the control panel	22
Cleaning the oven	22
Removing the oven door	22
Removing the door inner glass	23
Replacing the oven lamp.....	23

8 Troubleshooting 24

1 Important instructions and warnings for safety and environment

This section contains safety instructions that will help protect from risk of personal injury or property damage. Failure to follow these instructions shall void any warranty.

General safety

- This appliance can be used by children aged from 8 years and above and persons with reduced physical, sensory or mental capabilities or lack of experience and knowledge if they have been given supervision or instruction concerning use of the appliance in a safe way and understand the hazards involved.

Children shall not play with the appliance. Cleaning and user maintenance shall not be made by children without supervision.

- If the product is handed over to someone else for personal use or second-hand use purposes, the user manual, product labels and other relevant documents and parts should be also given.
- Never place the product on a carpet-covered floor. Otherwise, lack of airflow beneath the product will cause electrical parts to overheat. This will cause problems with your product.

- Installation and repair procedures must always be performed by Authorized Service Agents. The manufacturer shall not be held responsible for damages arising from procedures carried out by unauthorized persons which may also void the warranty. Before installation, read the instructions carefully.
- Do not operate the product if it is defective or has any visible damage.
- Ensure that the product function knobs are switched off after every use.

Electrical safety

- If the product has a failure, it should not be operated unless it is repaired by an Authorized Service Agent. There is the risk of electric shock!
- Only connect the product to a grounded outlet/line with the voltage and protection as specified in the "Technical specifications". Have the grounding installation made by a qualified electrician while using the product with or without a transformer. Our company shall not be liable for any problems arising due to the product not

being earthed in accordance with the local regulations.

- Never wash the product by spreading or pouring water onto it! There is the risk of electric shock!
- The product must be disconnected during installation, maintenance, cleaning and repairing procedures.
- If the power connection cable for the product is damaged, it must be replaced by the manufacturer, its service agent or similarly qualified persons in order to avoid a hazard.
- The appliance must be installed so that it can be completely disconnected from the mains supply. The separation must be provided by a switch built into the fixed electrical installation, according to construction regulations.
- Rear surface of the oven gets hot when it is in use. Make sure that the electrical connection does not contact the rear surface; otherwise, connections can get damaged.
- Do not trap the mains cable between the oven door and frame and do not route it over hot surfaces. Otherwise, cable insulation may melt and cause fire as a result of short circuit.

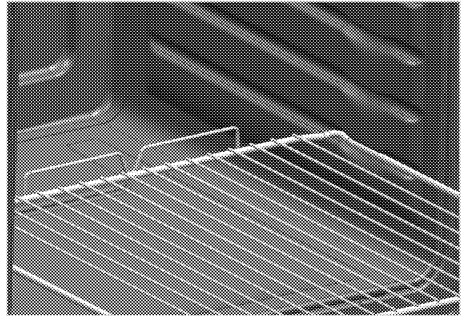
- Any work on electrical equipment and systems should only be carried out by authorized and qualified persons.
- In case of any damage, switch off the product and disconnect it from the mains. To do this, turn off the fuse at home.
- Make sure that fuse rating is compatible with the product.

Product safety

- The appliance and its accessible parts become hot during use. Care should be taken to avoid touching heating elements. Children less than 8 years of age shall be kept away unless continuously supervised.
- Never use the product when your judgment or coordination is impaired by the use of alcohol and/or drugs.
- Be careful when using alcoholic drinks in your dishes. Alcohol evaporates at high temperatures and may cause fire since it can ignite when it comes into contact with hot surfaces.
- Food Poisoning Hazard: Do not let food sit in oven for more than 1 hour before or after cooking. Doing so can result in food poisoning or sickness.
- Do not place any flammable materials close to the product as

the sides may become hot during use.

- During use the appliance becomes hot. Care should be taken to avoid touching heating elements inside the oven.
- Keep all ventilation slots clear of obstructions.
- Do not heat closed tins and glass jars in the oven. The pressure that would build-up in the tin/jar may cause it to burst.
- Do not place baking trays, dishes or aluminium foil directly onto the bottom of the oven. The heat accumulation might damage the bottom of the oven.
- Do not use harsh abrasive cleaners or sharp metal scrapers to clean the oven door glass since they can scratch the surface, which may result in shattering of the glass.
- Do not use steam cleaners to clean the appliance as this may cause an electric shock.
- Placing the wire shelf and tray onto the wire racks properly
It is important to place the wire shelf and/or tray onto the rack properly. Slide the wire shelf or tray between 2 rails and make sure that it is balanced before placing food on it (Please see the following figure).



- Do not use the product if the front door glass removed or cracked.
- Do not use the oven handle to hang towels for drying. Do not hang up towel, gloves, or similar textile products when the grill function is at open door.
- Always use heat resistant oven gloves when putting in or removing dishes into/from the hot oven.
- Place the baking paper into the cooking pot or on to the oven accessory (tray, wire grill etc) together with the food and then insert all into the preheated oven. Remove the excess parts of the baking paper overflowing from the accessory or the pot in order to prevent the risk of touching the oven's heating elements. Never use the baking paper in an operating temperature higher than the indicated value for the baking paper. Do not place the baking paper directly on the base of the oven.

- Ensure that the appliance is disconnected from mains before replacing the lamp to avoid the possibility of electric shock.
 - Unattended cooking on a hob with fat or oil can be dangerous and may result in fire. NEVER try to extinguish a fire with water, but switch off the appliance and then cover flame e.g. with a lid or a fire blanket.
 - Danger of fire: Do not store items on the cooking surfaces.
 - If the surface is cracked, switch off the appliance to avoid the possibility of electric shock.
 - In case of hotplate glass breakage : Shut immediately off all burners and any electrical heating element and isolate the appliance from the power supply. Do not touch the appliance surface. Do not use the appliance.
 - The appliance is not intended to be operated by means of an external timer or separate remote-control system.
 - Vapour pressure that build up due to the moisture on the hob surface or at the bottom of the pot can cause the pot to move. Therefore, make sure that the oven surface and bottom of the pots are always dry.
 - Use only hob guards designed by the manufacturer of the cooking appliance or indicated by the manufacturer of the appliance in the instructions for use as suitable or hob guards incorporated in the appliance. The use of inappropriate guards can cause accidents.
- Prevention against possible fire risk!
- Ensure all electrical connections are secure and tight to prevent risk of arcing.
 - Do not use damaged cables or extension cables.
 - Ensure liquid or moisture is not accessible to the electrical connection point.
- Intended use**
- This product is designed for domestic use. Commercial use will void the guarantee.
 - This appliance is for cooking purposes only. It must not be used for other purposes, for example room heating.
 - This product should not be used for warming the plates under the grill, drying towels, dish cloths etc. by hanging them on the oven door handles. This product should also not be used for room heating purposes.
 - The manufacturer shall not be liable for any damage caused by improper use or handling errors.

- The oven can be used for defrosting, baking, roasting and grilling food.

Safety for children

- Accessible parts may become hot during use. Young children should be kept away.
- The packaging materials will be dangerous for children. Keep the packaging materials away from children. Please dispose of all parts of the packaging according to environmental standards.
- Electrical products are dangerous to children. Keep children away from the product when it is operating and do not allow them to play with the product.
- Do not place any items above the appliance that children may reach for.
- When the door is open, do not load any heavy object on it and do not allow children to sit on it. It

may overturn or door hinges may get damaged.

Disposing of the old product

Compliance with the WEEE Directive and Disposing of the Waste Product:



This product complies with EU WEEE Directive (2012/19/EU). This product bears a classification symbol for waste electrical and electronic equipment (WEEE).

This product has been manufactured with high quality parts and materials which can be reused and are suitable for recycling. Do not dispose of the waste product with normal domestic and other wastes at the end of its service life. Take it to the collection center for the recycling of electrical and electronic equipment. Please consult your local authorities to learn about these collection centers.

Compliance with RoHS Directive:

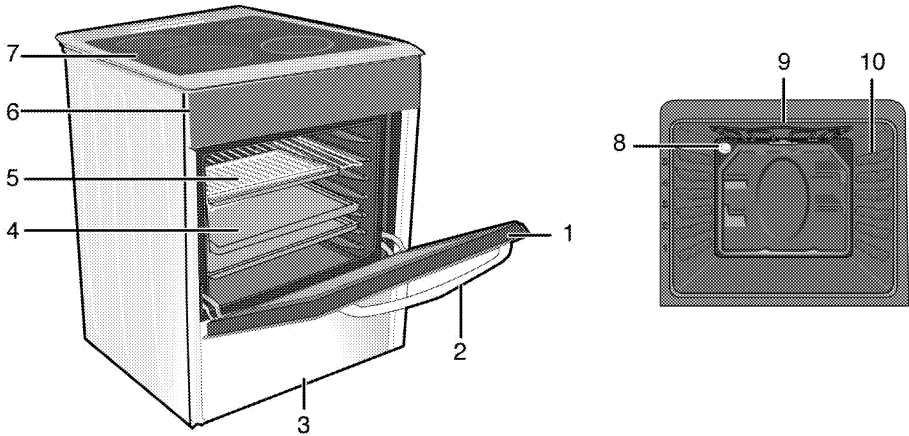
The product you have purchased complies with EU RoHS Directive (2011/65/EU). It does not contain harmful and prohibited materials specified in the Directive.

Package information

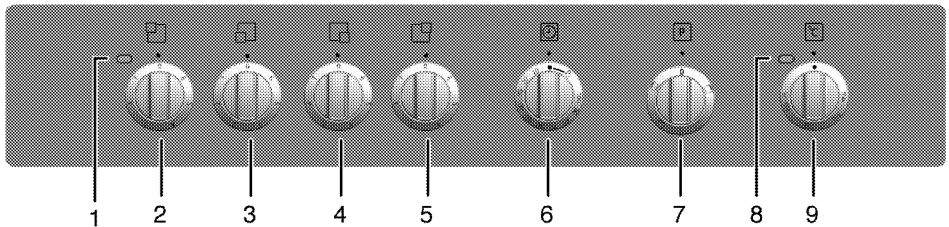
- Packaging materials of the product are manufactured from recyclable materials in accordance with our National Environment Regulations. Do not dispose of the packaging materials together with the domestic or other wastes. Take them to the packaging material collection points designated by the local authorities.

2 General information

Overview



- | | | | |
|---|------------|----|-----------------------|
| 1 | Front door | 6 | Control panel |
| 2 | Handle | 7 | Burner plate |
| 3 | Lower part | 8 | Lamp |
| 4 | Tray | 9 | Grill heating element |
| 5 | Wire shelf | 10 | Shelf positions |



- | | | | |
|---|--|---|------------------|
| 1 | Warning lamp | 6 | Mechanical timer |
| 2 | Single-circuit cooking plate Rear left | 7 | Function knob |
| 3 | Single-circuit cooking plate Front left | 8 | Thermostat lamp |
| 4 | Single-circuit cooking plate Front right | 9 | Thermostat knob |
| 5 | Single-circuit cooking plate Rear right | | |

Package contents

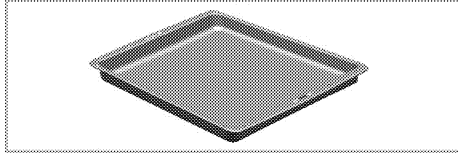


Accessories supplied can vary depending on the product model. Not every accessory described in the user manual may exist on your product.

1. **User manual**

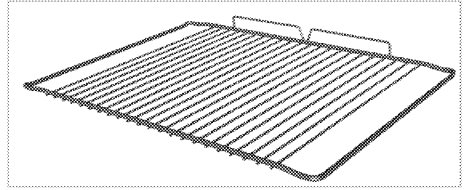
2. **Oven tray**

Used for pastries, frozen foods and big roasts.



3. **Wire Shelf**

Used for roasting and for placing the food to be baked, roasted or cooked in casserole dishes to the desired rack.



Technical specifications

GENERAL	
External dimensions (height / width / depth)	850 mm/500 mm/600 mm
Voltage / frequency	230 V ~ 50 Hz
Total power consumption	7.7 kW
Fuse	min. 25 A
Cable type / section	min.H05VV-FG 3 x 2,5 mm ²
HOB	
Burners	
Rear left	Single-circuit cooking plate
Dimension	140 mm
Power	1200 W
Front left	Single-circuit cooking plate
Dimension	180 mm
Power	1700 W
Front right	Single-circuit cooking plate
Dimension	140 mm
Power	1200 W
Rear right	Single-circuit cooking plate
Dimension	180 mm
Power	1700 W
OVEN/GRILL	
Main oven	Conventional oven
Inner lamp	15-25 W
Grill power consumption	1.6 kW

Basics: Information on the energy label of electrical ovens is given in accordance with the EN 60350-1 / IEC 60350-1 standard. Those values are determined under standard load with bottom-top heater or fan assisted heating (if any) functions.

Energy efficiency class is determined in accordance with the following prioritization depending on whether the relevant functions exist on the product or not. 1-Cooking with eco-fan, 2- Turbo slow cooking, 3- Turbo cooking, 4- Fan assisted bottom/top heating, 5-Top and bottom heating.



Technical specifications may be changed without prior notice to improve the quality of the product.




Figures in this manual are schematic and may not exactly match your product.





Values stated on the product labels or in the documentation accompanying it are obtained in laboratory conditions in accordance with relevant standards. Depending on operational and environmental conditions of the product, these values may vary.

3 Installation

Product must be installed by a qualified person in accordance with the regulations in force. The manufacturer shall not be held responsible for damages arising from procedures carried out by unauthorized persons which may also void the warranty.

 Preparation of location and electrical installation for the product is under customer's responsibility.

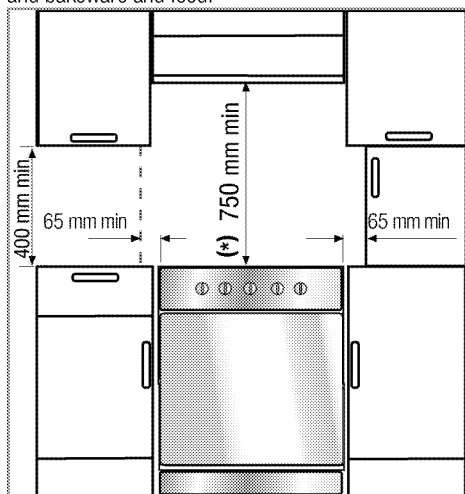
 **DANGER:**
The product must be installed in accordance with all local electrical regulations.

 **DANGER:**
Prior to installation, visually check if the product has any defects on it. If so, do not have it installed.
Damaged products cause risks for your safety.

Before installation

To ensure that critical air gaps are maintained under the appliance, we recommend that this appliance is mounted on a solid base and that the feet do not sink into any carpet or soft flooring.

The kitchen floor must be able to carry the weight of the appliance plus the additional weight of cookware and bakeware and food.

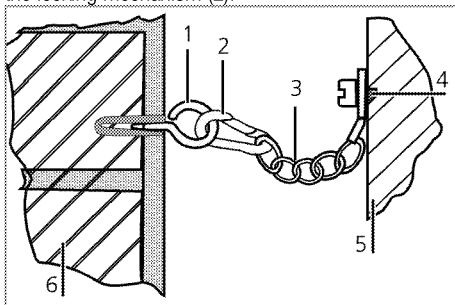


- It can be used with cabinets on either side but in order to have a minimum distance of 400mm above hotplate level allow a side clearance of 65mm between the appliance and any wall, partition or tall cupboard.


- It can also be used in a free standing position. Allow a minimum distance of 750 mm above the hob surface.
- (*) If a cooker hood is to be installed above the cooker, refer to cooker hood manufacturer' instructions regarding installation height (min 650 mm).
- The appliance corresponds to device class 1, i.e. it may be placed with the rear and **one** side to kitchen walls, kitchen furniture or equipment of any size. The kitchen furniture or equipment on the **other** side may only be of the same size or smaller.
- Any kitchen furniture next to the appliance must be heat-resistant (100 °C min.).

Safety chain

The appliance must be secured against overbalancing by using the supplied two safety chains on your oven. Fasten hook (1) by using a proper peg to the kitchen wall (6) and connect safety chain (3) to the hook via the locking mechanism (2).



- 1 Stability hook
- 2 Locking mechanism
- 3 Safety chain (supplied and mounted to oven)
- 4 Firmly fix chain to cooker rear
- 5 Rear of cooker
- 6 Kitchen wall

 Stability chain to be as short as practicable to avoid oven tilting forward and diagonal to avoid oven side tilting.

Cooker stability chain for cookers not designed with bracket engagement slot.

Installation and connection

Product can only be installed and connected in accordance with the statutory installation rules.



Do not install the product next to refrigerators or freezers. The heat emitted by the product will increase the energy consumption of cooling appliances.

- Carry the product with at least two persons.
- Product must be placed directly on the floor. It must not be placed onto a base or a pedestal.



Do not use the door and/or handle to carry or move the product. The door, handle or hinges get damaged.

Electrical connection

Connect the product to a grounded outlet/line protected by a fuse of suitable capacity as stated in the "Technical specifications" table. Have the grounding installation made by a qualified electrician while using the product with or without a transformer. Our company shall not be liable for any damages that will arise due to using the product without a grounding installation in accordance with the local regulations.



DANGER:

The product must be connected to the mains supply only by an authorised and qualified person. The product's warranty period starts only after correct installation. Manufacturer shall not be held responsible for damages arising from procedures carried out by unauthorised persons.



DANGER:

The power cable must not be clamped, bent or trapped or come into contact with hot parts of the product.

A damaged power cable must be replaced by a qualified electrician. Otherwise, there is risk of electric shock, short circuit or fire!

The mains supply data must correspond to the data specified on the type label of the product. The rating plate is either seen when the door or the lower cover is opened or it is located at the rear wall of the unit depending on the unit type.

Power cable of your product must comply with the values in "Technical specifications" table.



DANGER:

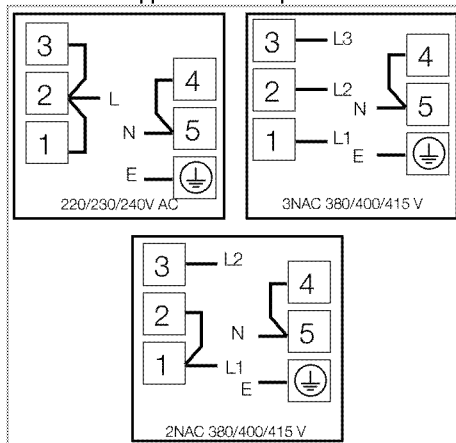
Before starting any work on the electrical installation, disconnect the product from the mains supply. There is the risk of electric shock!

Connecting the power cable

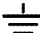
1. If it is not possible to disconnect all poles in the supply power, a disconnection unit with at least 3 mm contact clearance (fuses, line safety switches, contactors) must be connected and all the poles of this disconnection unit must be adjacent to (not above) the product in accordance with IEE directives. Failure to obey this instruction may cause operational problems and invalidate the product warranty.

Additional protection by a residual current circuit breaker is recommended.

If a cable is supplied with the product:



2. **For single-phase connection**, connect as identified below:

- Brown cable = L (Phase)
- Blue cable = N (Neutral)
- Green/yellow cable = (E)  (Ground)
- Push the product towards the kitchen wall.
- **Adjusting the feet of oven**

Vibrations during use may cause cooking vessels to move. This dangerous situation can be avoided if the product is level and balanced.

For your own safety please ensure the product is level by adjusting the four feet at the bottom by turning left or right and align level with the work top.

Final check

1. Reconnect the product to the mains.
2. Check electrical functions.

Future Transportation

- Keep the product's original carton and transport the product in it. Follow the instructions on the carton. If you do not have the original carton, pack the product in bubble wrap or thick cardboard and tape it securely.
- To prevent the wire grill and tray inside the oven from damaging the oven door, place a strip of cardboard onto the inside of the oven door that lines up with the position of the trays. Tape the oven door to the side walls.

- Do not use the door or handle to lift or move the product.



Do not place any objects onto the product and move it in upright position.



Check the general appearance of your product for any damages that might have occurred during transportation.

4 Preparation

Tips for saving energy

The following information will help you to use your appliance in an ecological way, and to save energy:

- Use dark coloured or enamel coated cookware in the oven since the heat transmission will be better.
- While cooking your dishes, perform a preheating operation if it is advised in the user manual or cooking instructions.
- Do not open the door of the oven frequently during cooking.
- Try to cook more than one dish in the oven at the same time whenever possible. You can cook by placing two cooking vessels onto the wire shelf.
- Cook more than one dish one after another. The oven will already be hot.
- You can save energy by switching off your oven a few minutes before the end of the cooking time. Do not open the oven door.
- Defrost frozen dishes before cooking them.
- Use pots/pans with cover for cooking. If there is no cover, energy consumption may increase 4 times.
- Select the burner which is suitable for the bottom size of the pot to be used. Always select the correct pot size for your dishes. Larger pots require more energy.
- Pay attention to use flat bottom pots when cooking with electric hobs. Pots with thick bottom will provide a better heat conduction. You can obtain energy savings up to 1/3.
- Vessels and pots must be compatible with the cooking zones. Bottom of the vessels or pots must not be smaller than the hotplate.
- Keep the cooking zones and bottom of the pots clean. Dirt will decrease the heat conduction between the cooking zone and bottom of the pot.
- For long cookings, turn off the cooking zone 5 or 10 minutes before the end of cooking time. You can obtain energy savings up to 20% by using the residual heat.

Initial use

First cleaning of the appliance



The surface might get damaged by some detergents or cleaning materials.

Do not use aggressive detergents, cleaning powders/creams or any sharp objects during cleaning.

Do not use harsh abrasive cleaners or sharp metal scrapers to clean the oven door glass since they can scratch the surface, which may result in shattering of the glass.

1. Remove all packaging materials.
2. Wipe the surfaces of the appliance with a damp cloth or sponge and dry with a cloth.

Initial heating

Heat up the product for about 30 minutes and then switch it off. Thus, any production residues or layers will be burnt off and removed.



WARNING

Hot surfaces cause burns!

Product may be hot when it is in use. Never touch the hot burners, inner sections of the oven, heaters and etc. Keep children away. Always use heat resistant oven gloves when putting in or removing dishes into/from the hot oven.

Electric oven

1. Take all baking trays and the wire grill out of the oven.
2. Close the oven door.
3. Select Static position.
4. Select the highest grill power; See *How to operate the electric oven, page 18*.
5. Operate the oven for about 30 minutes.
6. Turn off your oven; See *How to operate the electric oven, page 18*

Grill oven

1. Take all baking trays and the wire grill out of the oven.
2. Close the oven door.
3. Select the highest grill power; see *How to operate the grill, page 21*.
4. Operate the grill about 30 minutes.
5. Turn off your grill; see *How to operate the grill, page 21*



Smoke and smell may emit for a couple of hours during the initial operation. This is quite normal. Ensure that the room is well ventilated to remove the smoke and smell. Avoid directly inhaling the smoke and the smell that emits.

5 How to use the hob

General information about cooking



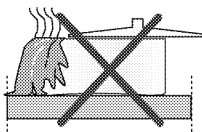
Never fill the pan with oil more than one third of it. Do not leave the hob unattended when heating oil. Overheated oils bring risk of fire. **Never attempt to extinguish a possible fire with water!** When oil catches fire, cover it with a fire blanket or damp cloth. Turn off the hob if it is safe to do so and call the fire department.

- Before frying foods, always dry them well and gently place into the hot oil. Ensure complete thawing of frozen foods before frying.
- Do not cover the vessel you use when heating oil.
- Place the pans and saucepans in a manner so that their handles are not over the hob to prevent heating of the handles. Do not place unbalanced and easily tilting vessels on the hob.
- Do not place empty vessels and saucepans on cooking zones that are switched on. They might get damaged.
- Operating a cooking zone without a vessel or saucepan on it will cause damage to the product. Turn off the cooking zones after the cooking is complete.
- As the surface of the product can be hot, do not put plastic and aluminum vessels on it. Clean any melted such materials on the surface immediately. Such vessels should not be used to keep foods either.
- Use flat bottomed saucepans or vessels only.
- Put appropriate amount of food in saucepans and pans. Thus, you will not have to make any unnecessary cleaning by preventing the dishes from overflowing. Do not put covers of saucepans or pans on cooking zones. Place the saucepan in a manner so that they are centered on the cooking zone. When you want to move the saucepan onto another cooking zone, lift and place it onto the cooking zone you want instead of sliding it.

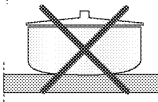
Tips about glass ceramic hobs

- Glass ceramic surface is heatproof and is not affected by big temperature differences.

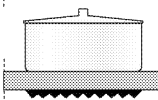
- Do not use the glass ceramic surface as a place of storage or as a cutting board.
- Use only the saucepans and pans with machined bottoms. Sharp edges create scratches on the surface.
- Do not use aluminum vessels and saucepans. Aluminum damages the glass ceramic surface.



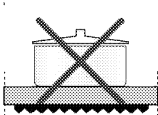
Spills may damage the glass ceramic surface and cause fire.



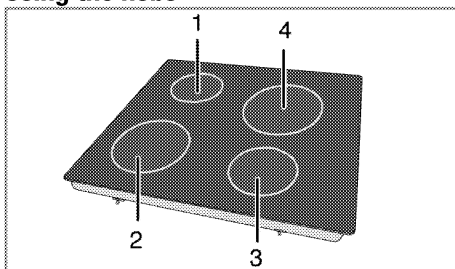
Do not use vessels with concave or convex bottoms.



Use only the saucepans and pans with flat bottoms. They ensure easier heat transfer. If the diameter of the saucepan is too small, energy will be wasted.



Using the hobs



- 1 Single-circuit cooking plate 14-16 cm
- 2 Single-circuit cooking plate 18-20 cm
- 3 Single-circuit cooking plate 14-16 cm
- 4 Single-circuit cooking plate 18-20 cm is list of advised diameter of pots to be used on related burners.

**DANGER:**

Do not allow any object to drop on the hob. Even small objects such as a saltshaker may damage the hob.

Do not use cracked hobs. Water may leak through these cracks and cause short circuit.

In case of any kind of damage on the surface (eg., visible cracks), switch off the product immediately to minimize the risk of electric shock.

Glass ceramic hob is equipped with an operation light and a hot zone warning indicator.

Hot zone warning indicator indicates the status of the active zone and it remains lit after the plate is turned off. When the temperature of the plate cools down to a level that it can be touched by hand, warning indicator

turns off. Flickering of the hot zone warning indicator is not a failure.

Turning on the ceramic plates

The hob control knobs are used for operating the plates. To obtain the desired cooking power, turn the hob control knobs to the corresponding level.

Cooking level	1	2 — 3	4 — 6
	warming	stewing, simmering	cooking, roasting, boiling

Turning off the ceramic plates

Turn the plate knob to OFF (upper) position.

6 How to operate the oven

General information on baking, roasting and grilling



WARNING

Hot surfaces cause burns!
Product may be hot when it is in use. Never touch the hot burners, inner sections of the oven, heaters and etc. Keep children away. Always use heat resistant oven gloves when putting in or removing dishes into/from the hot oven.



DANGER:

Be careful when opening the oven door as steam may escape.
Exiting steam can scald your hands, face and/or eyes.

Tips for baking

- Use non-sticky coated appropriate metal plates or aluminum vessels or heat-resistant silicone moulds.
- Make best use of the space on the rack.
- Place the baking mould in the middle of the shelf.
- Select the correct rack position before turning the oven or grill on. Do not change the rack position when the oven is hot.
- Keep the oven door closed.

Tips for roasting

- Treating whole chicken, turkey and large piece of meat with dressings such as lemon juice and black pepper before cooking will increase the cooking performance.
- It takes about 15 to 30 minutes longer to roast meat with bones when compared to roasting the same size of meat without bones.
- Each centimeter of meat thickness requires approximately 4 to 5 minutes of cooking time.
- Let meat rest in the oven for about 10 minutes after the cooking time is over. The juice is better distributed all over the roast and does not run out when the meat is cut.
- Fish should be placed on the middle or lower rack in a heat-resistant plate.

Tips for grilling

When meat, fish and poultry are grilled, they quickly get brown, have a nice crust and do not get dry. Flat pieces, meat skewers and sausages are particularly suited for grilling as are vegetables with high water content such as tomatoes and onions.

- Distribute the pieces to be grilled on the wire shelf or in the baking tray with wire shelf in such a way that the space covered does not exceed the size of the heater.
- Slide the wire shelf or baking tray with grill into the desired level in the oven. If you are grilling on the wire shelf, slide the baking tray to the lower rack to collect fats. Add some water in the tray for easy cleaning.



Foods that are not suitable for grilling carry the risk of fire. Only grill food which is suitable for intensive grilling heat.

Do not place the food too far in the back of the grill. This is the hottest area and fatty food may catch fire.

How to operate the electric oven Select temperature and operating mode



1 Function knob

2 Thermostat knob

1. Set the oven timer to the desired cooking time; see .
2. Set the Function knob to the desired operating mode.
3. Set the Temperature knob to the desired temperature.

» Oven heats up to the adjusted temperature and maintains it. During heating, temperature lamp stays on.

Switching off the electric oven

Switch the oven timer to off position.



When the timer is set to a certain time, it will turn off automatically; see

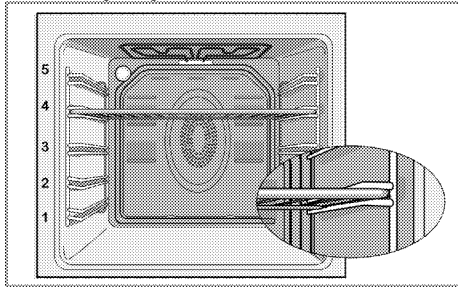
Turn the function knob and temperature knob to off (upper) position.

Rack positions (For models with wire shelf)

It is important to place the wire shelf onto the side rack correctly. Wire shelf must be inserted between the side racks as illustrated in the figure.

Do not let the wire shelf stand against the rear wall of the oven. Slide your wire shelf to the front section of

the rack and settle it with the help of the door in order to obtain a good grill performance.



Operating modes

The order of operating modes shown here may be different from the arrangement on your product.

Top and bottom heating



Top and bottom heating are in operation. Food is heated simultaneously from the top and bottom. For example, it is suitable for cakes, pastries, or cakes and casseroles in baking moulds. Cook with one tray only.

Bottom heating



Only bottom heating is in operation. It is suitable for pizza and for subsequent browning of food from the bottom.

Grill



Small grill at the ceiling of the oven is in operation. Suitable for grilling.

- Put small or medium-sized portions in correct shelf position under the grill heater for grilling.
- Set the temperature to maximum level.
- Turn the food after half of the grilling time.

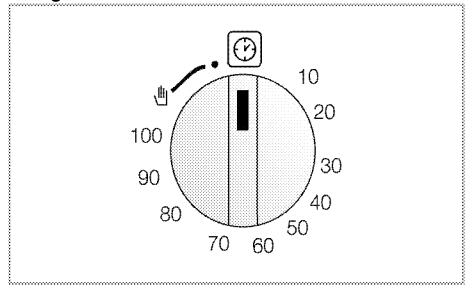
Full grill



Large grill at the ceiling of the oven is in operation. It is suitable for grilling large amount of meat.

- Put big or medium-sized portions in correct rack position under the grill heater for grilling.
- Set the temperature to maximum level.
- Turn the food after half of the grilling time.

Using the oven clock



Starting the cooking



In order to operate the oven, you must select cooking mode and the desired temperature and set the time. Otherwise, the oven will not operate.

1. Turn the Time Adjustment knob clockwise to set the cooking time.
2. Put your dish into the oven.
3. Select operation mode and temperature; see *How to operate the electric oven, page 18*.

» The oven will be heated up to the preset temperature and will maintain this temperature until the end of the cooking time you selected.

4. Once the cooking time is over, Time Setting knob will automatically rotate counterclockwise. A warning sound indicating that the set time is over is heard and the power is cut.



If you do not want to use the timer function, turn the knob counterclockwise towards the hand symbol.

5. Turn off the oven with the Time Setting knob, function knob and temperature knob.

Turning off the oven before the set time

1. Turn the Time Adjustment knob counterclockwise until it stops.
2. Turn off the oven with the Function knob and Temperature knob.

Cooking times table



The timings in this chart are meant as a guide. Timings may vary due to temperature of food, thickness, type and your own preference of cooking.

Dish	Cooking level number		Rack position	Temperature (°C)	Cooking time (approx. in min.)
**Cakes in tray	One level	<input type="checkbox"/>	3	175	30 ... 45
**Cakes in mould	One level	<input type="checkbox"/>	3	175	30 ... 50
**Cakes in cooking paper	One level	<input type="checkbox"/>	3	160 ... 170	20 ... 30
**Sponge cake	One level	<input type="checkbox"/>	3	180 ... 200	10 ... 20
**Cookies	One level	<input type="checkbox"/>	3	160 ... 170	20 ... 30
**Dough pastry	One level	<input type="checkbox"/>	3	200	20 ... 30
**Rich pastry	One level	<input type="checkbox"/>	3	190	25 ... 35
**Leaven	One level	<input type="checkbox"/>	3	190	20 ... 40
**Lasagna	One level	<input type="checkbox"/>	2	180	25 ... 45
**Pizza	One level	<input type="checkbox"/>	2	200	15 ... 25
Beef steak (whole) / Roast	One level	<input type="checkbox"/>	2	25 min. 220, then 180 ... 190	80 ... 120
Leg of Lamb (casserole)	One level	<input type="checkbox"/>	2	25 min. 220, then 180 ... 190	70 ... 100
Roasted chicken	One level	<input type="checkbox"/>	2	15 min. 220, then 190	55 ... 75
Turkey (Sliced)	One level	<input type="checkbox"/>	2	25 min. 220, then 190	70 ... 120
Fish	One level	<input type="checkbox"/>	3	200	20 ... 30

(**) In a cooking that requires preheating, preheat at the beginning of cooking until the thermostat lamp turns off.

Tips for baking cake

- If the cake is too dry, increase the temperature by 10°C and decrease the cooking time.
- If the cake is wet, use less liquid or lower the temperature by 10°C.
- If the cake is too dark on top, place it on a lower rack, lower the temperature and increase the cooking time.
- If cooked well on the inside but sticky on the outside use less liquid, lower the temperature and increase the cooking time.

Tips for baking pastry

- If the pastry is too dry, increase the temperature by 10°C and decrease the cooking time. Dampen the layers of dough with a sauce composed of milk, oil, egg and yoghurt.
- If the pastry takes too long to bake, pay care that the thickness of the pastry you have prepared does not exceed the depth of the tray.
- If the upper side of the pastry gets browned, but the lower part is not cooked, make sure that the amount of sauce you have used for the pastry is not too much at the bottom of the pastry. Try to scatter the sauce equally between the dough layers and on the top of pastry for an even browning.

Baking and roasting



1st rack of the oven is the **bottom** rack.



Cook the pastry in accordance with the mode and temperature given in the cooking table. If the bottom part is still not browned enough, place it on one lower rack next time.

Tips for cooking vegetables

- If the vegetable dish runs out of juice and gets too dry, cook it in a pan with a lid instead of a tray. Closed vessels will preserve the juice of the dish.
- If a vegetable dish does not get cooked, boil the vegetables beforehand or prepare them like canned food and put in the oven.

How to operate the grill



WARNING

Close oven door during grilling.
Hot surfaces may cause burns!

- Turn the Time Adjustment knob counter clockwise to Hand symbol when grilling.

Switching on the grill

1. Turn the Function knob to the desired grill symbol.
2. Then, select the desired grilling temperature.
3. If required, perform a preheating of about 5 minutes.

» Temperature light turns on.

Switching off the grill

1. Turn the Function knob to Off (top) position.



Foods that are not suitable for grilling carry the risk of fire. Only grill food which is suitable for intensive grilling heat.

Do not place the food too far in the back of the grill. This is the hottest area and fatty food may catch fire.

Cooking times table for grilling

Grilling with electric grill

Food	Insertion level	Grilling time (approx.)
Fish	4...5	20...25 min. [#]
Sliced chicken	4...5	25...35 min.
Lamb chops	4...5	20...25 min.
Roast beef	4...5	25...30 min. [#]
Veal chops	4...5	25...30 min. [#]
Toast bread	4	1...2 min.

[#] depending on thickness

7 Maintenance and care

General information

Service life of the product will extend and the possibility of problems will decrease if the product is cleaned at regular intervals.



DANGER:

Disconnect the product from mains supply before starting maintenance and cleaning works.
There is the risk of electric shock!



DANGER:

Allow the product to cool down before you clean it.
Hot surfaces may cause burns!

- Clean the product thoroughly after each use. In this way it will be possible to remove cooking residues more easily, thus avoiding these from burning the next time the appliance is used.
- No special cleaning agents are required for cleaning the product. Use warm water with washing liquid, a soft cloth or sponge to clean the product and wipe it with a dry cloth.
- Always ensure any excess liquid is thoroughly wiped off after cleaning and any spillage is immediately wiped dry.
- Do not use cleaning agents that contain acid or chloride to clean the stainless or inox surfaces and the handle. Use a soft cloth with a liquid detergent (not abrasive) to wipe those parts clean, paying attention to sweep in one direction.



The surface might get damaged by some detergents or cleaning materials.
Do not use aggressive detergents, cleaning powders/creams or any sharp objects during cleaning.

Do not use harsh abrasive cleaners or sharp metal scrapers to clean the oven door glass since they can scratch the surface, which may result in shattering of the glass.



Do not use steam cleaners to clean the appliance as this may cause an electric shock.

Cleaning the hob

Glass ceramic surfaces

Wipe the glass ceramic surface using a piece of cloth dampened with cold water in a manner as not to leave any cleaning agent on it. Dry with a soft and dry cloth.

Residues may cause damage on the glass ceramic surface when using the hob for the next time. Dried residues on the glass ceramic surface should under no circumstances be scraped with hook blades, steel wool or similar tools.

Remove calcium stains (yellow stains) by a small amount of lime remover such as vinegar or lemon juice. You can also use suitable commercially available products.

If the surface is heavily soiled, apply the cleaning agent on a sponge and wait until it is absorbed well. Then, clean the surface of the hob with a damp cloth.



Sugar-based foods such as thick cream and syrup must be cleaned promptly without waiting the surface to cool down. Otherwise, glass ceramic surface may be damaged permanently.

Slight color fading may occur on coatings or other surfaces in time. This will not affect operation of the product.

Color fading and stains on the glass ceramic surface is a normal condition, and not a defect.

Cleaning the control panel

Clean the control panel and knobs with a damp cloth and wipe them dry.



Do not remove the control buttons/knobs to clean the control panel.
Control panel may get damaged!

Cleaning the oven

Clean oven door

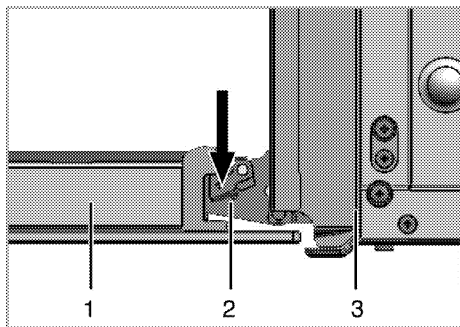
To clean the oven door, use warm water with washing liquid, a soft cloth or sponge to clean the product and wipe it with a dry cloth.



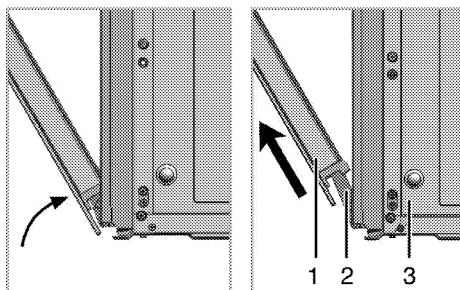
Don't use any harsh abrasive cleaners or sharp metal scrapers for cleaning the oven door. They could scratch the surface and destroy the glass.

Removing the oven door

1. Open the front door (1).
2. Open the clips at the hinge housing (2) on the right and left hand sides of the front door by pressing them down as illustrated in the figure.



- 1 Front door
- 2 Hinge
- 3 Oven



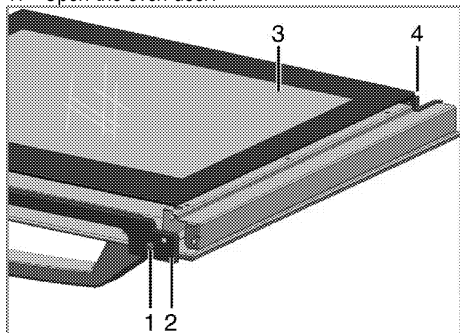
- 3. Move the front door to half-way.
- 4. Remove the front door by pulling it upwards to release it from the right and left hinges.

i Steps carried out during removing process should be performed in reverse order to install the door. Do not forget to close the clips at the hinge housing when reinstalling the door.

Removing the door inner glass

The inner glass panel of the oven door can be removed for cleaning.


- 1. Open the oven door.



- 1 Screw

- 2 Profile
 - 3 Inner glass pane
 - 4 Plastic slot
- 2. Take out the screw(1) with a screwdriver
 - 3. Take out the profile (2) than hold up to inner glass (3).
 - 4. Then group the door again, put the glass pane (3) to the plastic slots (4) and group the profile.

Replacing the oven lamp

DANGER:
 Before replacing the oven lamp, make sure that the product is disconnected from mains and cooled down in order to avoid the risk of an electrical shock.
 Hot surfaces may cause burns!

i The oven lamp is a special electric light bulb that can resist up to 300 °C. See *Technical specifications, page 11* for details. Oven lamps can be obtained from Authorised Service Agents or technician with licence.

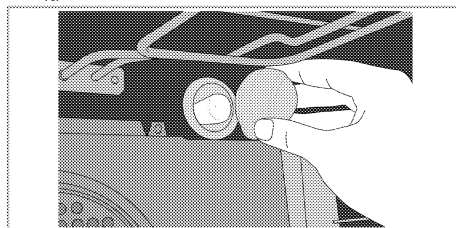
i Position of lamp might vary from the figure.

i The lamp used in this appliance is not suitable for household room illumination. The intended purpose of this lamp is to assist the user to see foodstuffs.

i The lamps used in this appliance have to withstand extreme physical conditions such as temperatures above 50 °C.

If your oven is equipped with a round lamp:

- 1. Disconnect the product from mains.
- 2. Turn the glass cover counter clockwise to remove it.



- 3. Remove the oven lamp by turning it counter clockwise and replace it with the new one.
- 4. Install the glass cover.

8 Troubleshooting

Oven emits steam when it is in use.

- It is normal that steam escapes during operation. >>> *This is not a fault.*

Product emits metal noises while heating and cooling.

- When the metal parts are heated, they may expand and cause noise. >>> *This is not a fault.*

Product does not operate.

- The mains fuse is defective or has tripped. >>> *Check fuses in the fuse box. If necessary, replace or reset them.*
- Product is not plugged into the (grounded) socket. >>> *Check the plug connection.*

Oven light does not work.

- Oven lamp is defective. >>> *Replace oven lamp.*
- Power is cut. >>> *Check if there is power. Check the fuses in the fuse box. If necessary, replace or reset the fuses.*

Oven does not heat.

- Function and/or Temperature are not set. >>> *Set the function and the temperature with the Function and/or Temperature knob/key.*
- In models equipped with a timer, the timer is not adjusted. >>> *Adjust the time.*
(In products with microwave oven, timer controls only microwave oven.)
- Power is cut. >>> *Check if there is power. Check the fuses in the fuse box. If necessary, replace or reset the fuses.*

(In models with timer) Clock display is blinking or clock symbol is on.

- A previous power outage has occurred. >>> *Adjust the time / Switch of the product and switch it on again.*



Consult the Authorised Service Agent or technician with licence or the dealer where you have purchased the product if you can not remedy the trouble although you have implemented the instructions in this section. Never attempt to repair a defective product yourself.

Arcelik A.S.

Karaağaç Caddesi No:2-6 Sütütlüce, 34445, Turkey

Made in TURKEY

Importer in Russia: «BEKO LLC»

Address: Selskaya street, 49, Fedorovskoe village, Pershinskoe rural settlement, Kirzhach district, Vladimir region, Russian Federation 601021

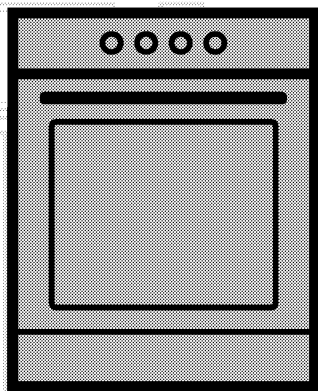
The manufacture date is included in the serial number of a product specified on rating label, which is located on a product, namely: first two figures of serial number indicate the year of manufacture, and last two – the month.

For example, "10- 100001-05" indicates that the product was produced in May, 2010.

You can ask for certification number from our Call Center 8-800-200-23-56 The manufacturer reserves the right for making changes in modification, design and specification of an electric device.

Фурна

Ръководство за употреба



BG

beko

Моля, първо прочетете това ръководство за употреба.

Уважаеми купувачо,

Благодарим ви, че избрахте продукта на фирмата Веко. Надяваме се, че ще получите възможно най-добри резултати от използването на продукта ни, произведен по най-висококачествени и модерни технологии.

Затова ви молим да прочетете това ръководство за употреба и всичката го съпътстваща документация внимателно преди да използвате уреда, а след това ги запазете за справка в бъдеще. Ако преотстъпите продукта на друг потребител, то го предайте заедно с ръководството за употреба. Следвайте всички указания и информация в ръководството за употреба.

Помнете, че това ръководство за употреба може да е за няколко модела уреда. Разликите между моделите са уточнени в ръководството.

Обяснение на символите

В това ръководство са използвани следните символи:



Важна информация или полезни съвети за употреба.



Предупреждение за риск за живота или имуществото.



Предупреждение за токов удар.



Предупреждение за риск от пожар.



Предупреждение за гореща повърхност.



Arçelik A.Ş.
Karaağaç caddesi No:2-6
34445 Sütlüce/Istanbul/TURKEY
Made in TURKEY

**1 Важни указания и предупреждения
за безопасност и опазване на
околната среда **4****

Обща безопасност	4
Електрическа безопасност	4
Безопасност при използването на продукта	6
Предвидена употреба	8
Безопасност за децата	8
Изхвърляне на остарелия продукт	9
Изхвърляне на опаковъчните материали	9

2 Основна информация **10**

Общ преглед	10
Съдържание на пакета	11
Технически спецификации	12

3 Монтаж **13**

Преди монтажа	13
Инсталация и свързване	14
Бъдещо транспортиране	15

4 Подготовка **16**

Съвети за спестяване на енергия	16
Първо ползване	16
Първоначално почистване на уреда	16
Първоначално загряване	16

5 Как да работите с котлона **18**

Обща информация за готвенето	18
Използване на котлоните	19

6 Как да работите с фурната **20**

Основна информация за готвене, печене и грила	20
Как да работите с електрическата фурна	20
Режими на работа	21
Използване на часовника на фурната	21
Таблица с времето за готвене	22
Как да работите с грила	23
Готварска плоча за печене	23

7 Поддържане и грижа **24**

Обща информация	24
Почистване на котлона	24
Почистване на контролния панел	24
Почистване на фурната	24
Сваляне на вратата на фурната	25
Сваляне на вътрешното стъкло на вратата	25
Подмяна на лампата във фурната	26

8 Отстраняване на повреди **27**

1 Важни указания и предупреждения за безопасност и опазване на околната среда

Този раздел съдържа указания за безопасност, които ще ви помогнат да избегнете риска от нараняване или повреда. Неспазването на тези указания прави всякакви гаранции невалидни.

Обща безопасност

- Уредът може да бъде ползват от деца на 8 и повече години и от лица с понижени физически, сензорни и умствени способности или такива без опит и познания, ако те са надзиравани или инструктирани относно употребата на уреда по безопасен начин и са наясно със свързаните с това рискове. Децата не бива да си играят с уреда. Почистването и потребителската поддръжка не бива да бъдат извършвани от деца без надзор.
- Ако продуктът е даден на някой друг за лична употреба или употреба втора ръка, ръководството за употреба, етикетите на продуктите и другите, отнасящи се за него документи и части трябва също да се предоставят с него.

- Никога не поставяйте продукта върху покрит с килим под. В шротивен случай, ипсата на въздух под уреда може да доведе до прегряване на електрическите части. Това ще доведе до проблеми с уреда.
- Монтажът и ремонтът на уреда трябва винаги да се извършва от представители на оторизирания сервис. Производителят не носи отговорност за щети, причинени от поправка извършена от неоторизирани лица, в който случай гаранцията може да стане невалидна. Преди монтажа прочетете внимателно всички инструкции.
- Не използвайте продукта ако даде дефект или е видимо повреден.
- След всяко ползване проверявайте дали функционалните копчета са изключени.

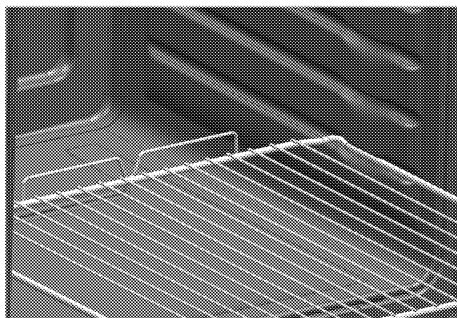
Електрическа безопасност

- Ако продуктът е повреден, той не бива да се ползва преди да бъде поправен в оторизирания сервис. Съществува риск от токов удар!

- Свързвайте уреда само към заземен контакт с мощност и защита, посочени в "Технически спецификации". Заземяването трябва да се направи от квалифициран електротехник, като продуктът се ползва със или без трансформатор. Фирмата ни не носи отговорност за проблеми, произтичащи от неправилно заземяване на уреда.
- Никога не мийте продукта като го поливате или пръскате в вода! Съществува риск от токов удар!
- Продуктът трябва да е изключен по време на монтаж, поддръжка, почистване и ремонт.
- Ако захранващият кабел на уреда е повреден, трябва да се поправи от производителя, негов сервизен представител или квалифициран техник с цел да се избегне всякакъв риск.
- Уредът трябва да е монтиран така, че да може напълно да се изключи от мрежата. Разделянето трябва да се осигурява или от щепсел, или от превключвател, монтиран във фиксираната електрическа инсталация, съгласно строителните наредби.
- По време на употреба, задната част на фурната се загрива. Проверете дали електрическата инсталация не са в контакт със задната повърхност; в противен случай свързките може да се повредят.
- Не заклещвайте захранващия кабел между вратата на фурната и рамката и не го прекарвайте над нагорещените повърхности. В противен случай изолацията на кабела може да се стопи и да предизвика пожар в следствие на късо съединение.
- Всяка манипулация по електрическите съоръжения и системи може да се извършва само от оторизирани и квалифицирани лица.
- В случай на каквато и да е повреда, изключете продукта и го изключете от захранването. За да направите това, изключете бушона вкъщи.
- Проверете дали напрежението на бушона е съвместимо с продукта.

Безопасност при използването на продукта

- Уредът и досегаемите му части се нагряват при употреба. Трябва да се внимава да не се докосват нагрятите елементи. Децата под 8-годишна възраст трябва да се държат далеч от уреда освен ако не са надзиравани постоянно.
- Никога не използвайте продукта ако сте под влиянието на алкохол и/или други опияняващи вещества.
- Внимавайте, когато в съдовете си имате алкохолни напитки. Алкохолът се изпарява при високи температури и може да предизвика пожар при възпламеняване от допира с горещата повърхност.
- Не поставяйте никакви леснозапалими материали в близост до продукта, тъй като може да се нагорещи отстрани по време на употреба.
- Уредът се нагрява по време на употреба. Трябва да се внимава да не се докосват нагревателите вътре във фурната.
- Дръжте всички вентилационни отвори отпушени.
- Не загрявайте затворени консерви и стъклени буркани във фурната. Налягането, което ще възникне в консервата/буркана, може да доведе до пукането му.
- Не поставяйте тави за печене, съдове или алуминиево фолио директно върху дъното на фурната. Акумулирането на топлина може да повреди дъното на фурната.
- Не използвайте груби абразивни или метални стъргалки за почистване на стъклената врата на фурната тъй като те могат да издраскат повърхността, което от своя страна да доведе до счупване на стъклото.
- Не използвайте парочистачки за почистване на уреда, тъй като това може да предизвика токов удар.
- Правилно поставяне на телената скара и тава върху етажерката
Важно е да поставите теления рафт и/или тавата правилно на етажерката. Плъзнете теления рафт или тавата между двете релси и се уверете, че са балансирани преди да поставите храна отгоре (Моля, вижте следващата фигура).



- Не използвайте продукта ако предното стъкло е извадено или напукано.
- Дръжката на фурната не е сушилня за кърпи. Не увесвайте кърпи, ръкавици и подобни текстилни изделия когато функцията грил работи при отворена врата.
- Винаги използвайте термоустойчиви ръкавици при поставяне или изваждане на ястия в/от горещата фурна.
- Поставете хартията за печене в съда за готвене или върху аксесоара на фурната (тава, скара и т.н.) заедно с храната и след това поставете всичко в предварително загрята фурна. Премахнете излишните части на хартията за печене, които се показват от съда или от аксесоара, за да се предотврати рискът от допир до нагревателните елементи на фурната. Никога не използвайте хартия за печене в работна температура по-висока от посочената стойност когато използвате на хартия за печене. Не поставяйте хартия за печене директно върху дъното на фурната.
- Преди даподмените лампичката на уреда, се уверете, че той е изключен, за да се избегне риска от токов удар.
- Безнадзорно готвене с мазнина върху котлона е опасно и може да доведе до пожар. НИКОГА не се опитвайте да изгасите възникнал пожар с водаю вместо това изключете уреда и покрийте пламъка с капак или противопожарно одеало.
- Опасност от пожар: Не съхранявайте никакви предмети върху готварските повърхности.
- Ако повърхността е напукана, изключете уреда за да избегнете риска от токов удар.
- В случай, че плочата на котлона се счупи: Изключете веднага всички горелки и всички електрически нагревателни елементи и изолирайте уреда от захранването. Не докосвайте повърхността на уреда. Не използвайте уреда.

- Уредът не е предназначен за работа чрез управление от външен таймер или отделно дистанционно управление.
- Парното налягане, което се наслабва в следствие на влагата по повърхността на котлона или върху дъното на тенджерата може да накара тенджерата да подскочи. Затова винаги проверявайте дали повърхността на фурната и дъното на тенджерите са сухи.
- Използвайте само предпазители за котлони, проектирани от производителя на готварския уред или такива, които са указани от производителя в инструкциите за употреба на уреда, или предпазители, вградени в уреда. Употребата на неподходящи предпазители за деца може да доведе до злополука.

За надеждността на пламъка на продукта;

- Щепселът трябва да е наместен в контакта, така че да не излизат искри.
- Не използвайте повреден, срязан или удължен кабелю използвайте само оригиналния кабел на уреда.

- Щепселът не бива да се включва в контакта ако е намокрен или влажен.

Предвидена употреба

- Този продукт е предвиден за битова употреба. Употребата му за търговски цели не е допустима.
- Този уред е предназначен само за готварски цели. Той не бива да се използва за други цели, като Например отопляване на стаята.
- Продуктът не бива да се ползва за затопляне на чинии под грила, сушене на кърпи, ръкохватки и др. върху дръжките, за сушене или за отопление.
- ÛПроизводителят не носи отговорност за щети, причинени от неправилна употреба.
- Фурната може да се използва за размразяване и печене на храна.

Безопасност за децата

- Външните части на уреда може да се нагорещят при употреба. Малките деца трябва да се държат далеч от уреда.
- Опаковъчните материали са опасни за децата. Дръжте далеч от децата опаковъчните

материали. Изхвърлете всички части от опаковката по природосъобразен начин.

- Електрическите уреди са опасни за децата. Дръжте децата далеч от уреда по време на работа и не им позволявайте да си играят с него.
- Не поставяйте върху уреда предмети, които децата може да опитат да достигнат.
- Когато вратата е отворена, не оставяйте никакви тежки предмети върху нея и не позволявайте децата да седат върху нея. Вратата може да се извърне или пантите ѝ да се повредят.

Изхвърляне на остарелия продукт

Съвместимост с WEEE Директива за изхвърляне на отпадъчни продукти:



Продуктът отговаря на изискванията на директивата на ЕС за изхвърляне на отпадъчни продукти (2012/19/EU). Този продукт носи класификационен символ за отпадъчно електрическо и електронно оборудване (WEEE). Продуктът е произведен от висококачествени части и материали, които могат да се използват повторно и са подходящи за рециклиране. Не изхвърляйте уреда заедно с обикновените битови и други отпадъци в края на оперативния му живот. Занесете го в събирателния център за рециклиране на електронно и електрическо оборудване. Обърнете се към местните власти за повече подробности относно тези събирателни центрове.

Съвместимост с директивата за ограничаване на употребата на определени опасни вещества:

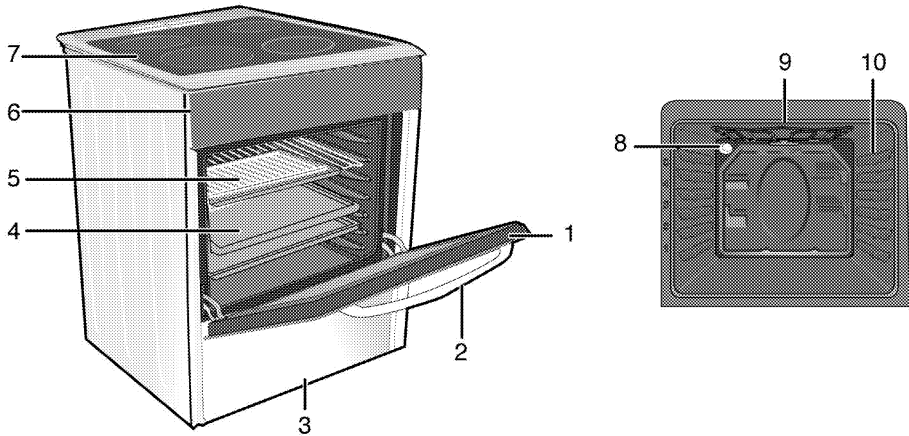
Закупеният от вас продукт отговаря на изискванията на директивата за ограничаване на употребата на определени опасни вещества на ЕС (2011/65/EU). Той не съдържа никой от вредните и забранени материали, описани в Директивата.

Изхвърляне на опаковъчните материали

- Опаковъчните материали са опасни за децата. Дръжте опаковъчните материали на безопасно място, извън достъпа на деца. Опаковъчните материали на продукта са изработени от преработваеми материали. Изхвърлете ги по подходящ начин и сортирайте в съответствие с указанията за рециклиране на отпадъци. Не ги изхвърляйте с нормалните битови отпадъци.

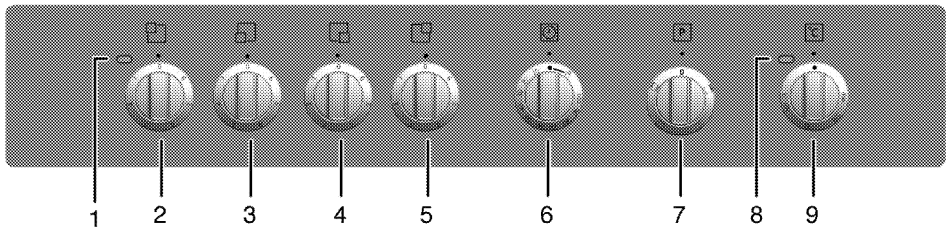
2 Основна информация

Общ преглед



- 1 Предна врата
- 2 Дръжка
- 3 Долна част
- 4 Тава
- 5 Метална скара

- 6 Контролен панел
- 7 Плъча на котлон
- 8 Лампа
- 9 Нагревател на грила
- 10 Положения на скарата



- 1 Предупредителна лампа
- 2 Готварска плоча с един прекъсвач Заден ляв
- 3 Готварска плоча с един прекъсвач Преден ляв
- 4 Готварска плоча с един прекъсвач Преден десен

- 5 Готварска плоча с един прекъсвач Заден десен
- 6 Механичен таймер
- 7 Селектор за функциите
- 8 Лампа на термостата
- 9 Селектор за термостата

Съдържание на пакета

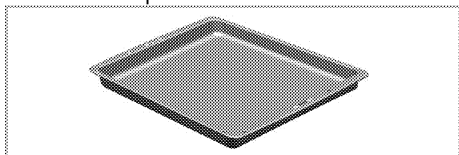


Предоставените аксесоари могат да варират, в зависимост от модела. Вашият продукт може да не е снабден с всички принадлежности, описани в ръководството.

1. **Ръководство за употреба**

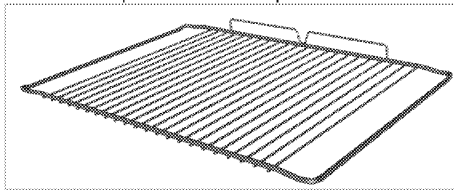
2. **Тава на фурната**

Използва се за баници, замразени храни и големи парчета месо.



3. **Телен рафт**

Използва се за печене и поставяне на храна, която ще се пече в касерол на желания етаж.



Технически спецификации

ОБЩА ИНФОРМАЦИЯ	
Външни размери (височина/ширина/дълбочина)	850 мм/500 мм/600 мм
Волтаж/честота	230 V ~ 50 Hz
Обща консумация на енергия	7.7 kW
Бушон	мин. 25 A
Кабел тип/сечение	мин. H05VV-FG 3 x 2,5 мм ²
ПЛОТ	
Горелки	
Заден лъв	Готварска плоча с един прекъсвач
Размер	140 мм
Мощност	1200 W
Преден лъв	Готварска плоча с един прекъсвач
Размер	180 мм
Мощност	1700 W
Преден десен	Готварска плоча с един прекъсвач
Размер	140 мм
Мощност	1200 W
Заден десен	Готварска плоча с един прекъсвач
Размер	180 мм
Мощност	1700 W
ФУРНА/ГРИЛ	
Основна фурна	Конвенционална фурна
Вътрешна лампа	15-25 W
Енергийна консумация на грила	1.6 kW

Базови данни: Информацията върху енергийния етикет на електрическите фурни е дадена в съответствие със стандарт EN 60350-1 / IEC 60350-1. Тези стойности са определени при стандартно натоварване с използване на функции долен-горен нагревател или вентилаторно нагряване (ако има такива).

Класът енергийна ефективност се определя съгласно следните приоритети в зависимост от това дали съответните функции са налични в продукта или не. 1-Готвене с еко вентилатор, 2- Турбо бавно готвене, 3- Турбо готвене, 4- Вентилаторно горно/долно нагряване, 5-Горно и долно нагряване.



Техническите спецификации може да бъдат променени без предупреждение с цел подобряване качеството на продукта.



Фигурите в това ръководство са схематични и може да не съвпадат точно с вашия продукт.



Стойностите посочени върху етикетите на продукта или в прдружителната документация са получени в лабораторни условия при спазване на съответните стандарти. Тези стойности може да варират в зависимост от условията на работа и околната среда на продукта.

3 Монтаж

Продуктът трябва да се монтира от квалифициран специалист в съответствие с текущите законови разпоредби. В противен случай гаранцията става невалидна. Производителят не носи отговорност за щети, причинени от поправка извършена от неоторизирани лица, в който случай гаранцията може да стане нева.



Подготовката на мястото и свързването на електричеството продукта са отговорност на клиента.



ОПАСНОСТ:
Уредът трябва да бъде монтиран в съответствие с всички местни наредби относно газовите и/или електрически уреди.

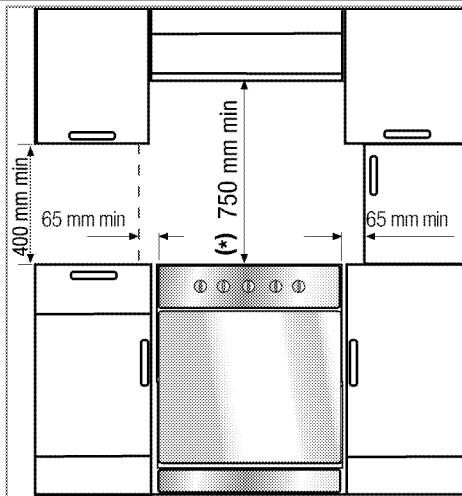


ОПАСНОСТ:
Преди монтажа, разгледайте продукта за видими дефекти. Ако има такива, то не го монтирайте.
Повредените продукти водят до риск за безопасността.

Преди монтажа

С цел обезопасяване на жизненоважните въздушни отвори отдолу на уреда, препоръчваме уредът да се монтира върху здрава основа, а крачетата да не потъват в килим или друг вид меко покритие на пода.

Кухненският под трябва да е способен да издържа теглото на уреда, плюс допълнителното тегло на съдовете за готвене и храната.

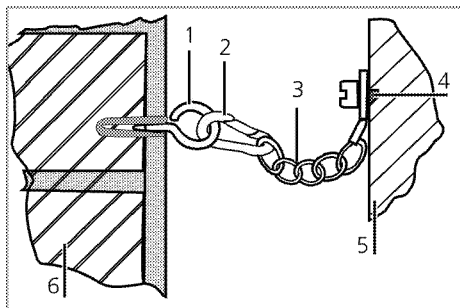


- Може да се използва с шкафове и от двете страни, но за да се осигури минимално разстояние от 400мм над нивото на нагреващата плоча оставете разстояние от 65мм отстрани, между уреда и стени, прегради или високи шкафове.
- Може да се използва и в свободно положение. Оставете минимално разстояние от 750 мм над повърхността на котлоните.
- (*) Ако над печката ще бъде монтиран абсорбатор, направете справка с указанията на производителя за височината на монтиране (мин 650 мм).
- Уредът отговаря на устройство от клас 1, т.е. може да се постави със задната и **една** от страничните части към стените в кухнята, кухненските шкафове или оборудване с всякакъв размер. Кухненските мебели или оборудване от **другата** страна трябва да е със същия или с по-малък размер.
- Всяка мебелировка, разположена до уреда трябва да бъде топлоустойчива (100 °C мин.).

Обезопасителна верига

Уредът трябва да се обезопаси срещу свръхбалансиране с помощта на двете вериги, доставени с фурната.

Закачете куката на кухненската стена (1) като използвате подходящ дюбел (6) и свържете обезопасителната верига (3) към куката чрез заключващия механизъм (2).



- 1 Стабилизираща кука
- 2 Заклучващ механизъм
- 3 Обезопасителна верига
- 4 Закачете веригата стабилно към задната част на печката
- 5 Задна част на печката
- 6 Стена в кухнята

i Поддържащата верига трябва да е възможно най-къса за да се избегне накланянето на фурната напред и разположена по диагонал за да се избегне накланянето на фурната настрани.

Поддържащата верига за готварски печки не е проектирана с отвор за скоби.

Инсталация и свързване

Уредът трябва да бъде инсталиран и свързан в съответствие с установените правила за монтажа.

i Не монтирайте уреда до хладилници и фризери. Топлината, излъчвана от уреда, ще повиши консумацията на електроенергия на охлаждаемите тела.

- Уредът трябва да бъде пренесен от най-малко двама души.
- Уредът трябва да се постави направо върху пода. Не трябва да се поставя върху основа или пиедестал.

i Не хващайте за вратата или дръжката при пренасяне на уреда. Това поврежда вратата, дръжката и пантите.

Свързване към електричеството

Свържете продукта със заземен контакт, защитен с бушон с подходящ капацитет, както е указано в таблица "Технически спецификации".

Заземяването трябва да се направи от квалифициран електротехник, като продуктът се ползва със или без трансформатор. Фирмата ни не носи отговорност за щети, причинени от

употребата на продукта без направено заземяване на инсталацията в съответствие с местните разпоредби.



ОПАСНОСТ:

Уредът трябва да бъде свързан към електрическата мрежа от оторизирано и квалифицирано лице. Периодът на гаранцията на уреда започва едва след правилен монтаж. Производителят не носи отговорност за щети, причинени от поправка извършена от неоторизирани лица.



ОПАСНОСТ:

Захранващият кабел не бива да се защитава, преглежда или да допира горещите части на уреда. Повреденият захранващ кабел трябва да се подмени от квалифициран електротехник. В противен случай съществува риск от токов удар, късо съединение или пожар!

Данните на захранването трябва да отговарят на данните, описани върху етикета на уреда. В зависимост от вида на уреда информационната табелка може да се види, когато вратата или долния капак са отворени, както и на задната част на уреда.

Захранващият кабел на уреда трябва да отговаря на стойностите в таблица "Технически спецификации".



ОПАСНОСТ:

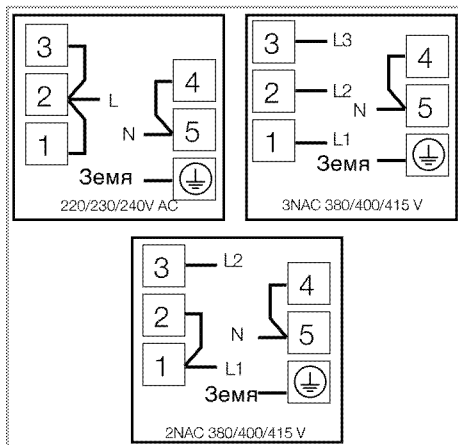
Преди да започнете каквато и да е работа по електрическата инсталация, изключете уреда от захранването. Съществува риск от токов удар!

Свързване на захранващия кабел

1. Не може да разкачите всички полюси на електрозахранването, трябва да свържете дисконектор с поне 3 мм контактно разстояние (бушони, обезопасяващи прекъсвачи, контактори) и всички полюси на дисконектора трябва да са близо до (не над) уреда в съответствие с директивите на ИЕЕ. Неспазването на тези указания може да доведе до проблеми в работата на уреда, както и да направят гаранцията му невалидна.

Препоръчва се допълнителна защита чрез прекъсвач на остатъчния ток.

Ако с продукта е доставен кабел:



2. **За еднофазна връзка**, свържете както е показано по-долу:

- Кафяв кабел = L (Фаза)
- Син кабел = N (Нула)
- Зелен/жълт кабел= (E) \equiv (заземен)
- Бутнете уреда към кухненската стена.
- **Регулиране на крачетата на фурната**
Вибрациите по време на употреба може да доведат до клатене на готварските съдове. Тези рискови ситуации може да се избегнат с правилно нивелиране и балансиране на уреда.
С оглед на вашата собствена безопасност се уверете, че уредът е нивелиран като

регулируйте четирите крачета отдолу като ги завъртите наляво или надясно и ги подравните с работния плот.

Финална проверка

1. Свържете уреда отново към захранването.
2. Проверете електрическите функции.

Бъдещо транспортиране

- Запазете оригиналния кашон на продукта и го пренасяйте в него. Следвайте указанията върху кашона. Ако не сте запазили оригиналния кашон, опакойте уреда в найлон с мехурчета и го залепете плътно.
- За да предпазите телената скара и тавата да не повредят вратата, поставете картонена лента от вътрешната част на вратата, така че да се изравни с положението на тавите. Залепете вратата на фурната към страничните стени.
- Не хващайте за вратата или дръжката при пренасяне на уреда.



Не поставяйте никакви предмети върху продукта и го пренасяйте в исправено положение.



Огледайте продукта отвън за евентуални повреди при пренасянето.

4 Подготовка

Съвети за спестяване на енергия

Следващата информация ще ви помогнат да използвате електроуреда по екологичен начин и да спестявате електроенергия:

- Използвайте тъмно оцветени и емайлирани покрития на съдовете за печене, тъй като те предават по-добре топлината.
- Ако в ръководството за употреба или в рецептата се препоръчва да извършите операцията подгряване докато приготвяте ястията си, тогава я направете.
- Не отваряйте често вратата на фурната по време на готвене.
- Ако е възможно пригответе едновременно повече от едно ястие във фурната. Може да готвите като поставите два съда върху телената скара.
- Пригответе повече ястия едно след друго. Фурната вече ще е нагорещена.
- Можете да спестите енергия като изключите фурната няколко минути преди края на времето за готвене. Не отваряйте вратата на фурната.
- Размразете замразените храни преди да ги сготвите.
- За готвене използвайте съдове с капацитет. Ако готвите без капак, консумацията на енергия се увеличава до 4 пъти.
- Изберете горелката, която е най-подходяща за размера на дъното на съда, който използвате. Винаги избирайте подходящия размер тенджерата за яденето, което ще приготвяте. По-големите тенджери харчат повече енергия.
- При готвене на електрически котлони дъното на съдовете трябва да е равно. Тенджерите с дебело дъно осигуряват по-добър топлообмен. Може да спестите до 1/3 електроенергия.
- Съдовете и тенджерите, които използвате, трябва да са съвместими с котлоните. Дъното на съдовете или тенджерите трябва да е по-малко от котлона.
- Поддържайте зоните за готвене и дъното на тенджерите чисти. Наслаганията от мръсотия намаляват проводимостта между зоните за готвене и дъното на тенджерата.
- При по-продължително готвене, изключете зоната за готвене 5-10 минути преди края на

времето за готвене. Може да спестите до 20% електроенергия при ползване на остатъчната топлина.

Първо ползване

Първоначално почистване на уреда



Повърхността може да се повреди от някои почистващи препарати и материали. Не използвайте агресивни почистващи препарати, прахообразни/кремообразни препарати или остри предмети при почистването.

1. Премахнете всички опаковъчни материали.
2. С мокър парцал или гъба забършете всички повърхности и подсушете.

Първоначално загряване

Загрейте уреда за около 30 минути и след това го изключете. По този начин всякакви утайки и наслаганията, останали от процеса на производство, ще бъдат премахнати.



ПРЕДУПРЕЖДЕНИЕ

Горещите повърхности могат да причинят изгаряния!

Уредът може да е горещ по време на употреба. Никога не пипайте горещите горелки, вътрешните части на фурната, загряващите елементи и т.н. Дръжте децата надалеч. Винаги използвайте термоустойчиви ръкавици при поставяне или изваждане на ястия в/от горещата фурна.

Електрическа фурна

1. Извадете от фурната всички тави и телената скара.
2. Затворете вратата на фурната.
3. Изберете позиция "Статично".
4. Изберете най-високата мощност на грила; Виж *Как да работите с електрическата фурна*, стр. 20
5. Пуснете фурната за около 30 минути.
6. Изключете фурната; Виж *Как да работите с електрическата фурна*, стр. 20

Грил-фурна

1. Извадете от фурната всички тави и телената скара.
2. Затворете вратата на фурната.
3. Изберете най-високата мощност на грила; виж *Как да работите с грила*, стр. 23
4. Пуснете фурната за около 30 минути.

5. Изключете грипа; виж *Как да работите с грипа, стр. 23*



По време на първата употреба за няколко часа могат да възникнат дим и миризма. Това е съвсем нормално. Стаята трябва да е с добра вентилация за да се премахне пушека и миризмата. Избягвайте директно вдишване на излизация пушек и миризма.

5 Как да работите с котлона

Обща информация за готвенето



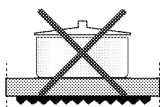
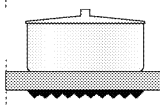
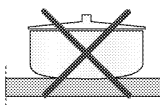
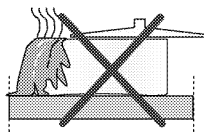
Никога не пълнете тигана с олио над 1/3 от обема му. Не оставяйте котлона без наблюдение когато нагрявате олио. Пренагрятата мазнина води до риск от пожар. **Никога не опитвайте да потушите евентуално възникнал пожар с вода!** Ако олиот се подпали, го покрийте с противопожарно одеало или влажен парцал. Изключете котлона ако това не представлява опасност и се обадете в пожарната.

- Преди пържене на хранителни продукти, винаги ги подсушавайте добре и ги поставяйте внимателно в нагорещената мазнина. Замразените храни трябва да се размразят напълно преди пържене.
- Не покривайте съда в който загревате олио.
- Поставяйте тиганите и тенджерите по такъв начин, че дръжките им да не изложени на горещината от котлона. Не поставяйте небалансирани и лесно накланящи се съдове върху котлона.
- Не поставяйте празни съдове и тенджери във включените зони за готвене. Това може да ги повреди.
- Пускането на зона за готвене без поставяне на съд или тенджера отгоре ще повреди уреда. Изключете зоните за готвене след приключване на готвенето.
- Не поставяйте пластмасови и алуминиеви съдове върху уреда тъй като повърхността му може да бъде нагорещена. Разтопени вещества от такъв вид трябва да се почистват незабавно. Тези съдове не бива да се използват и за съхранение на храна.
- Използвайте само тенджери и съдове с плоско дъно.
- Поставяйте съразмерно количество ядене в тенджерите и тиганите. По този начин ще си спестите излишното чистене на преляло ядене. Не поставяйте капациите на тенджерите и тиганите в зоните за готвене.

Поставяйте тенджерите така, че да са центрирани върху зоните за готвене. Ако желаете да преместите тенджерата върху друга зона за готвене, я повдигнете и преместете вместо да я плъзгате.

Съвети за стъклокерамичните котлони

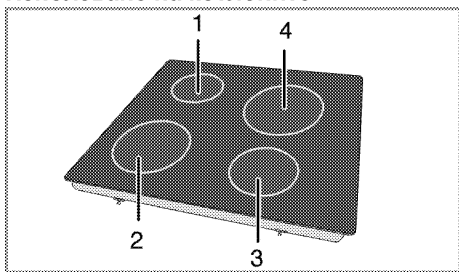
- Стъклокерамичната повърхност е топлоустойчива и не се влияе от големи температурни разлики
- Не използвайте стъклокерамичната повърхност като място за съхранение на продукти или като дъска за рязане.
- Използвайте само тенджери и тигани с равни дъна. Острите ръбове издраскват повърхността.
- Не използвайте алуминиеви съдове и тенджери. Алуминият поврежда стъклокерамичната повърхност.



Разлятото ядене може да повреди стъклокерамичната повърхност и да предизвика пожар. Не използвайте съдове с вдлъбнато или изпъкнало дъно.

Използвайте само тенджери и тигани с равни дъна. Те осигуряват по-добър топлообмен. Ако диаметърът на тенджерата е втърде малък се похабява енергия.

Използване на котлоните



- 1 Готварска плоча с един прекъсвач 14-16 см
 - 2 Готварска плоча с един прекъсвач 18-20 см
 - 3 Готварска плоча с един прекъсвач 14-16 см
 - 4 Готварска плоча с един прекъсвач 18-20 см
- е списък на препоръчителните диаметри на съдовете, които следва да бъдат използвани със съответните котлони.



ОПАСНОСТ:

Внимавайте върху плочата да не падат предмети. Дори малки предмети от рода на солница могат да я повредят. Не използвайте плочата ако е напукана. Водата може да протече през тези пукнатини и да предизвика късо съединение. В случай на видима повреда на повърхността (напр. видими пукнатини), изключете незабавно уреда за да намалите до минимум риска от токов удар.

Стъклокерамичният котлон е оборудван с работна лампа и предупредителен индикатор за нагорещена зона.

Предупредителният индикатор за нагорещена зона обозначава позицията на активната зона за готвене и продължава да свети след изключването ѝ. Когато зоната за готвене се охлади достатъчно за да може да бъде докосната с ръка, предупредителният индикатор изгасва. Мъждукането на предупредителния индикатор за нагорещена зона не е повреда.

Включване на стъклокерамичните зони за готвене

Използвайте копчетата на зоните за готвене за да включите стъклокерамичните зони за готвене. Завъртете копчето на зоната за готвене на съответното ниво за да включите желаното ниво за готвене.

Ниво на готвене	1	2 — 3	4 — 6
	загряване	задушаване, готвене	готвене, пържене

Изключване на стъклокерамичните зони за готвене

Завъртете копчето на котлона на най-горната позиция (изключено).

6 Как да работите с фурната

Основна информация за готвене, печене и грила



ПРЕДУПРЕЖДЕНИЕ

Горещите повърхности могат да причинят изгаряния!

Уредът може да е горещ по време на употреба. Никога не пипайте горещите горелки, вътрешните части на фурната, загривачите елементи и т.н. Дръжте децата надалеч.

Винаги използвайте термоустойчиви ръкавици при поставяне или изваждане на ястия в/от горещата фурна.



ОПАСНОСТ:

Внимавайте при отваряне на вратата, възможно е бълване на гореща пара.

Излизащата пара може да опари ръцете, лицето и/или очите ви.

Съвети при печене

- Използвайте подходящи метални съдове с незалепващо покритие, алуминиеви контейнери или топлоустойчиви силиконови формички.
- Използвайте възможно най-добро пространството върху поставката.
- Поставете формата за печене по средата на рафта.
- Преди да пуснете фурната или грила, изберете правилната позиция на рафта. Не променяйте позицията на рафта докато фурната е гореща.
- Дръжте вратата на фурната затворена.

Съвети за изпичане

- Обработването на пилета, пуйки и едри парчета месо с лимонов сол, черен пипер и други подобни преди готвенето подобряват печенето.
- Печенето на месо с костите отнема около 15 до 30 минути повече отколкото същото количество обезкостено месо.
- Всеки сантиметър от дебелината на месото отнема приблизително 4 до 5 минути печене.
- Оставете месото във фурната за около 10 минути след като го пригответе. Сокът се разпределя по-добре по цялото печено месо и не потича, когато го разрязвате.
- Рибата трябва да се постави в средата на долния рафт в термоустойчив съд.

Съвети за запичане

Когато месото, рибата или пилешкото се запичат, те бързо потъмняват, имат хубава коричка и не се изсушават. Пържоли, шишчета и наденички са особено подходящи за печене на грил, както и зеленчуци с високо водно съдържание като напр. домати и лук.

- Разпределете парчетата, които ще печете върху теления грил или в тавата за печене с теления грил като заетото пространство не бива да ревишава размера на нагревателя.
- Плъзнете теления грил или тавата с грила на желаното ниво на фурната. Ако печете върху теления грил, плъзнете тавата на долния рафт за да събира мазнината. За полесно почистване добавете вода в тавата за мазнината.

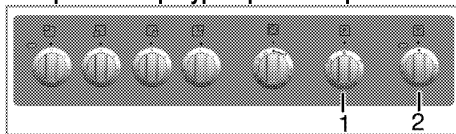


Неподходящи за печене на грил храни водят до опасност от пожар.

За печене на грил използвайте само храна, която е подходяща за излагане на интензивно печене. Не поставяйте храната много навътре в задната част на грила. Това е най-горещият сектор и мазната храна може да се възпламени.

Как да работите с електрическата фурна

Избор на температура и режим на работа



- 1 Селектор за функциите
 - 2 Селектор за термостата
1. Настройте таймера на фурната на желаното време за готвене; виж *Използване на часовника на фурната, стр. 21*
 2. Настройте копчето за температурата на желаната температура.
 3. Настройте копчето за функциите на желания режим на работа.

» Фурната се загрева до настроената температура и я поддържа. През време на нагряването, лампата на температурата остава включена.

Изключване на електрическата фурна

Преместете таймера на фурната на изключено положение.

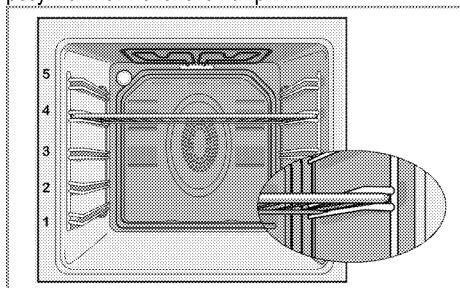


Докато таймерът е настроен на определен период от време, той ще се изключи автоматично; виж *Използване на часовника на фурната, стр. 21*

Завъртете копчетата за функциите и термостата в изключена позиция (горе).

Важно е да поставите правилно телената скара върху телената решетка. Телената скара трябва да бъде поставена между телените редове както е показано на фигурата.

Не оставяйте телената скара да се обляга на задната стена на фурната. Плъзнете телената скара в предната част на рафта и я закрепете с помощта на вратата за да получите добри резултати от печенето на грил.



Режими на работа

Показаният тук ред на оперативните режими може да се различава от подредбата върху вашия уред.

Горен и долен нагревател



Горният и долен нагревател работят. Яденето се загрева едновременно отгоре и отдолу. Например е подходящо за кексове, баници или кексове и касероли във форми за печене. Печете само една тава.

Долно нагряване



Работи само долното нагряване. Подходящо е за пица и за постепенно запичане на ястието отдолу.

Грил



Малкият грил на тавана на фурната работи. Подходящ за запичане

- За запичане, поставете малък или среден размер порции на правилно позиционирания рафт, под нагревателя на грила.
- Настройте температурата на максимално ниво.
- Обърнете храната, след като изтече половината от времето за запичане.

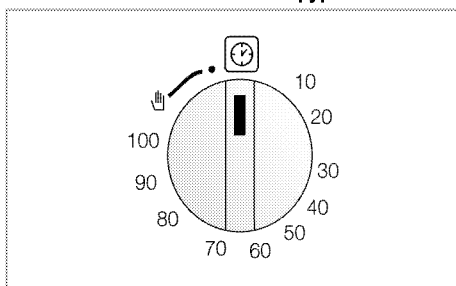
Цял грил



Големият грил на тавана на фурната работи. Подходящ е за препичане на големи количества месо.

- За запичане, поставете среден или голям размер порции на правилно позиционирания рафт, под нагревателя на грила.
- Настройте температурата на максимално ниво.
- Обърнете храната, след като изтече половината от времето за запичане.

Използване на часовника на фурната



Стартиране на готвенето



За да използвате фурната, трябва да изберете режим на готвене и желаната температура и да настроите времето. В противен случай фурната няма да работи.

1. Завъртете копчето за регулиране на времето по посока на часовниковата стрелка за да настроите времето на готвене.
2. Поставете ястието във фурната.
3. Изберете работен режим и температура; виж *Как да работите с електрическата фурна, стр. 20.*

» Фурната ще се нагрява до настроената температура и ще поддържа тази температура до края на избрания период за готвене.

4. След като времето за готвене приключи, копчето за настройка на времето автоматично ще се завърти обратно на часовниковата стрелка. Предупредителен звук сигнал показва, че зададеното време е изтекло и че захранването е прекъснато.



Ако не желаете да използвате функция таймер, завъртете селектора обратно на часовниковата стрелка до символ „ръка“.

5. Изключете фурната с помощта на копчето за температурата и копчето за функциите.

Изключване на фурната преди настроеното време

1. Завъртете копчето за настройка на времето обратно на часовниковата стрелка докато спре.
2. Изключете фурната с помощта на копчето за функциите и копчето за температурата.

Таблица с времето за готвене



Времетраенето в тази таблица са с ориентировъчна цел. В действителност времетраенето може да варира в зависимост от храната, дебелината, типа и предпочитанията ви на готвене.

Печене и запичане



Първото ниво на фурната е **долното**.

Ястие	Брой тапи (tepsi aseti)		Позиция на рафта	Температура (°C)	Време на готвене (приблиз. в мин.)
**Кексове в тава	Една тава	<input type="checkbox"/>	3	175	30 ... 45
**Кексове във форма	Една тава	<input type="checkbox"/>	3	175	30 ... 50
**Кексове в готварска хартия	Една тава	<input type="checkbox"/>	3	160 ... 170	20 ... 30
**Пандишпан	Една тава	<input type="checkbox"/>	3	180 ... 200	10 ... 20
**Сладки	Една тава	<input type="checkbox"/>	3	160 ... 170	20 ... 30
**Тесто за сладки	Една тава	<input type="checkbox"/>	3	200	20 ... 30
**Мазна баница	Една тава	<input type="checkbox"/>	3	190	25 ... 35
**Мая	Една тава	<input type="checkbox"/>	3	190	20 ... 40
**Лазаня	Една тава	<input type="checkbox"/>	2	180	25 ... 45
**Пица	Една тава	<input type="checkbox"/>	2	200	15 ... 25
Бифтек (цял) / Печено	Една тава	<input type="checkbox"/>	2	25 мин. 220, тогава 180 ... 190	80 ... 120
Пилешки бут (касерол)	Една тава	<input type="checkbox"/>	2	25 мин. 220, тогава 180 ... 190	70 ... 100
Печено пиле	Една тава	<input type="checkbox"/>	2	15 мин. 220, тогава 190	55 ... 75
Пуйка (Нарязана на филии)	Една тава	<input type="checkbox"/>	2	25 мин. 220, тогава 190	70 ... 120
Риба	Една тава	<input type="checkbox"/>	3	200	20 ... 30

(**) При готвене, изискващо предварително загреване, загрейте в началото докато лампата на термостата изгасне.

Съвети при печене на кекс

- Ако кексът е твърде сух, увеличете температурата с около 10°C и намалете времето на готвене.

- Ако кексът е влажен, използвайте по-малко течност или намалете температурата с 10°C.
- Ако кексът потъмнее твърде много отгоре, го поставете на по-долен рафт, намалете

температурата и увеличете времето на готвене.

- Ако е добре опечен отвърте, но лепне отвън, използвайте по-малко течност, намалете температурата и увеличете времето на готвене.

Съвети при печене на баница

- Ако баницата е твърде суха, увеличете температурата с около 10°C и намалете времето на готвене. Напоете слоевете тесто със сос направен от мляко, олио, яйца и кисело мляко.
- Ако баницата се пече твърде дълго, внимавайте дебелината на баницата, която сте приготвили да не надвишава дълбочината на тавата.
- Ако баницата почернее отгоре, а отдолу е недопечена, трябва да внимавате да не използвате твърде много сос в долната част на баницата. Опитайте да разпределите равномерно соса между и върху слоевете на баницата за развомерно изпичане.



Печете баницата съгласно режима и температурата, посочени в таблицата за готвене. Ако долната част все още не е изпечена достатъчно, я поставете един рафт по-надолу във фурната следващия път.

Съвети за приготвяне на зеленчуци

- Ако зеленчуковите ястия останат без течност и станат твърде сухи, то ги пригответе в тиган с капак вместо в тава следващия път. Затворените съдове запазват сока на ястието.
- Ако зеленчуковите ястия не се изпичат добре, ги сварете предварително или ги

подгответе като консервирана храна и след това поставете във фурната.

Как да работите с грила



ПРЕДУПРЕЖДЕНИЕ

По време на печенето затворете вратата на фурната.

Горещите повърхности могат да причинят изгаряния!

- **Завъртете копчето за регулиране на времето обратно на часовниковата стрелка към символ "Ръка" при използване на грила.**

Включване на грила

1. Завъртете копчето за функциите до желания символ грил.
 2. След това изберете желаната температура за печене на грил.
 3. При необходимост, извършете предварително загряване за 5 минути.
- » Лампичката за температурата светва.

Изключване на грила

1. Завъртете функционалното копче в изключена позиция (горе).



Неподходящи за печене на грил храни водят до опасност от пожар. За печене на грил използвайте само храна, която е подходяща за излагане на интензивно печене. Не поставяйте храната много навътре в задната част на грила. Това е най-горещият сектор и мазната храна може да се възпламени.

Готварска плоча за печене

Печене с електрически грил

Храна	Включване на ниво	Време на печене (приблизително)
Риба	4..5	20..25 мин. #
Нарязано пиле	4..5	25..35 мин.
Агнешки котлет	4..5	20..25 мин.
Говеждо печено	4..5	25..30 мин. #
Телешки котлети	4..5	25..30 мин. #
Тостер	4	1..2 мин.

в зависимост от дебелината

7 Поддържане и грижа

Обща информация

Оперативният живот на уреда ще се удължи, а често срещаните проблеми ще намалееят ако уредът се почиства редовно.



ОПАСНОСТ:

Изключете уреда от захранването при почистване и поддръжка.
Съществува риск от токов удар!



ОПАСНОСТ:

Преди да почистите уреда, го оставете да изстине.
Горещите повърхности могат да причинят изгаряния!

- След всяко ползване почиствайте уреда добре. По този начин всякакви остатъци от готвенето се почистват по-лесно и се избягва изгарянето им при следващото ползване на уреда.
- За почистването на уреда не са необходими специални почистващи препарати. Използвайте хладка вода и измивен препарат, мек парцал или гъба за почистване на фурната и я забършете със сух парцал.
- Внимавайте излишната вода да бъде добре подсушена след почистването, а всякакви разляти течности незабавно да бъдат подсушавани.
- Не използвайте почистващи вещества, съдържащи киселина или хлор за почистване на неръждаемото покритие и дръжката. Използвайте мек парцал с течен препарат (неабразивен) за да забършете тези части, като внимавате да забърсвате в една посока.



Повърхността може да се повреди от някои почистващи препарати и материали. Не използвайте агресивни почистващи препарати, прахообразни/кремообразни препарати или остри предмети при почистването.



Не използвайте парочистачки за почистване на уреда, тъй като това може да предизвика токов удар.

Почистване на котлона

Стъклокерамични повърхности

Забършете стъклокерамичната повърхност с помощта на навлажнене със стъдена вода парцал по такъв начин, че по нея да не остават следи от измивния препарат. Подсушете с мек сух парцал. Остатъчният материал може да повреди стъклокерамичната повърхност при следващото ползване на котлоните.

Засъхналите остатъци по стъклокерамичната повърхност в никакъв случай не бива да се чегъртат с остри четки, стоманена тел и подобни. Калциевите петна (жълти на цвят) се премахват с малко количество оцет или лимонов сок. Можете също така да ползвате подходящи за целта препарати.

Ако повърхността е силно замърсена, нанесете почистващият препарат с гъба и изчакайте да полие добре. След това почистете повърхността на плота с влажен парцал.



Храни на захарна основа като гъста сметана и сироп трябва да бъдат почистени бързо преди повърхността да се охлади. В противен случай рискувате стъклокерамичната повърхност да се повреди перманентно.

Повърхностното покритие може да се обезцвети леко с течение на времето. Това не се отразява на работата на продукта.

Обезцветяването и петната по стъклокерамичната повърхност са нормално явление, а не дефект.

Почистване на контролния панел

Почистете контролния панел и копчетата с влажен парцал и подсушете.



Не сваляйте бутоните/копчетата за да почистите контролния панел.
Това може да повреди контролния панел!

Почистване на фурната

Почистване на вратата на фурната

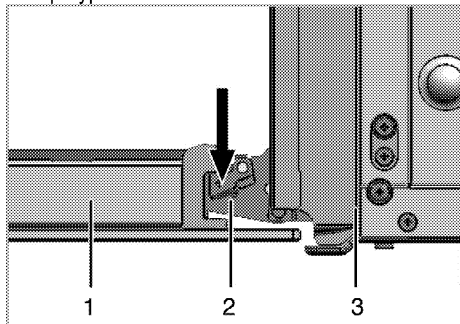
За почистване на вратата на фурната, използвайте хладка вода и измивен препарат, мек парцал или гъба за почистване на уреда и после забършете със сух парцал.



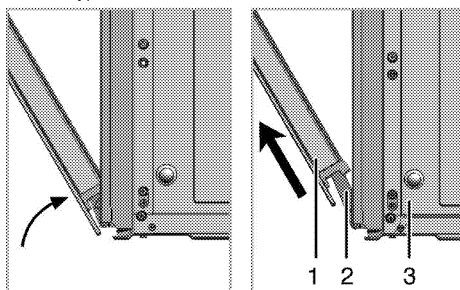
Не използвайте никакви груби абразивни почистващи материали или остри метални стъргалки за почистване на вратата на фурната. Те може да издраскат повърхността и да повредят стъклото.

Сваляне на вратата на фурната

1. Отворете предната врата (1).
2. Отворете скобите върху гнездата на пантите (2) отляво и отдясно на предната врата, като ги натиснете надолу по илюстрирания на фигурата начин.



- 1 Предна врата
- 2 Панта
- 3 Фурна



3. Преместете предната врата до половината.
4. Премахнете предната врата като я издърпате нагоре, докато се освободи от лявата и дясната панта.

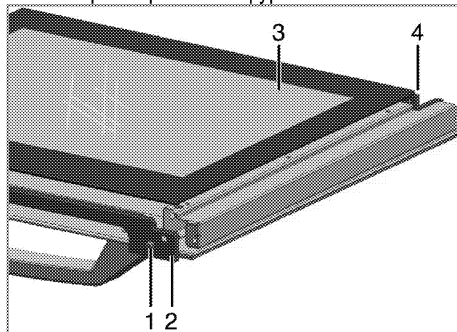


Стъпките, изпълнени при свалянето на вратата се извършват в обратен ред за да я монтирате. Не забравяйте да затворите скобите върху гнездото на пантата, когато поставяте вратата отново.

Сваляне на вътрешното стъкло на вратата

Вътрешния стъклен панел на вратата на фурната може да се маха за почистване.

1. Отворете вратата на фурната.



- 1 Винт
 - 2 Профил
 - 3 Вътрешен стъклен панел
 - 4 Пластмасов прорез
2. Извадете винта (1) с отверка
 3. Извадете профила (2), прикрепен към вътрешното стъкло (3).
 4. След това сглобете вратата отново, поставете вътрешната стъклена рамка (3) в пластмасовите отвори (4) и сглобете профила.

Подмяна на лампата във фурната



ОПАСНОСТ:

Преди да подмените лампата във фурната, уредът трябва да е изключен от захранването и охладен за да се избегне риск от токов удар. Горещите повърхности могат да причинят изгаряния!



Лампата във фурната е специална електрическа крушка, която издържа на температура до 300 °C. За повече детайли виж *Технически спецификации, стр. 12*. Можете да се сдобиете с лампи за фурната от оторизиран сервизен агент.



Позицията на лампата може да се различава от фигурата.



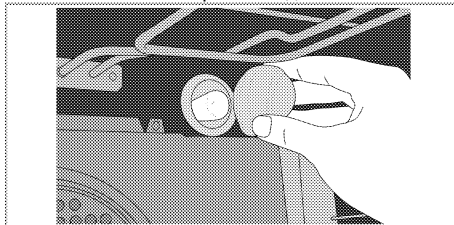
Лампата, която се използва в този уред не е подходящ за осветление на битови стая. Предназначението на тази лампа е да помогне на потребителя да види храните.



Лампите използвани в този уред, трябва да издържат на екстремни физически условия като температура над 50°C.

Ако фурната ви е оборудвана с кръгла лампа:

1. Изключете уреда от захранването.
2. Завъртете стъкления капак обратно на часовниковата стрелка за да го свалите.



3. Развийте лампата на фурната като завъртите обратно на часовниковата стрелка и я подмените с нова.
4. Монтирайте обратно стъкления капак.

8 Отстраняване на повреди

Фурната изпуска пара при употреба.

- Нормално е да излиза пара по време на работа. >>> *Това не е повреда.*

Уредът издава металически звуци при загряване и охлаждане.

- Когато металните части се загряват, може да се разширят и да предизвикат шум. >>> *Това не е повреда.*

Уредът не работи.

- Бушонът е дефектен или се е изключил. >>> *Проверете предпазителите в електрическата кутия. Ако е необходимо ги сменете или ги пренастройте.*
- Уредът не е включен в (заземен) контакт. >>> *Проверете контакта.*

Лампата във фурната не работи.

- Лампата на фурната е дефектна. >>> *Подменете лампата на фурната.*
- Токът е спрял. >>> *Проверете има ли ток. Проверете предпазителите в електрическата кутия. Ако е необходимо ги сменете или ги пренастройте.*

Фурната не се загрява.

- Няма настроени функция и/или температура. >>> *Настройте функцията и температурата с копчето за функциите и/или копчето за температурата.*
- При модели, оборудвани с таймер, таймерът не е настроен. >>> *Настройте часа.* (При продукти съдържащи микровълнова фурна, таймерът контролира само микровълновата фурна.)
- Токът е спрял. >>> *Проверете има ли ток. Проверете предпазителите в електрическата кутия. Ако е необходимо ги сменете или ги пренастройте.*

(При модели с таймер) Дисплеят на часовника мига или часовниковият символ е включен.

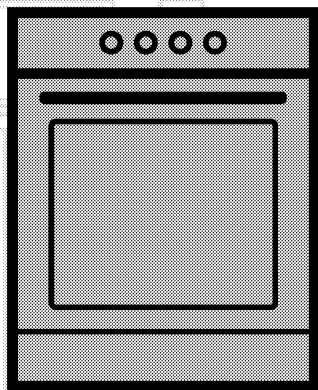
- Имало е прекъсване на тока. >>> *Настройте часа / Изключете уреда и го включете отново.*



Ако въпреки, че сте изпълнили указанията от този раздел не можете да решите проблема, се консултирайте с представител на оторизирания сервиз или магазина, от който сте закупили уреда. Нкога не се опитвайте сами да поправите неизправния уред.

Pećnica

Korisnički priručnik



SB

beko

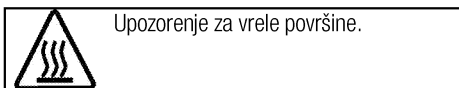
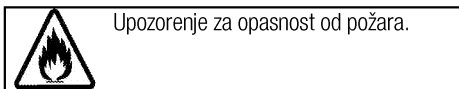
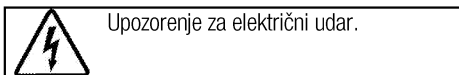
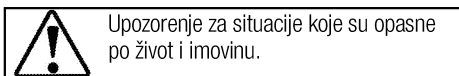
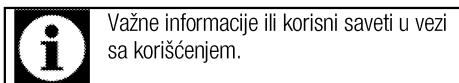
Molimo da prvo pročitate ovo uputstvo!

Poštovani korisniče, zahvaljujemo na izboru Beko proizvoda. Nadamo se da ćete na najbolji mogući način iskoristiti Vaš proizvod, koji je napravljen sa visokim kvalitetom i vrhunskom tehnologijom. Stoga, molimo da pročitate ovo celo korisničko uputstvo i sva prateća dokumenta pažljivo pre korišćenja proizvoda i čuvajte ih kao podsetnik za buduću upotrebu. Ako ovaj proizvod predate trećem licu, priložite i ovo korisničko uputstvo. Pratite sva upozorenja i informacije iz korisničkog uputstva.

Imajte na umu da ovo korisničko uputstvo može da se primeni i na nekoliko drugih modela. Razlike između modela će biti naznačene u priručniku.

Objašnjenje simbola

U ovom korisničkom uputstvu su korišćeni sledeći simboli:



Arçelik A.Ş.
Karaağaç caddesi No:2-6
34445 Sütlüce/Istanbul/TURKEY
Made in TURKEY

1 Važna uputstva i upozorenja za bezbednost i okruženje 4

Opšta bezbednost	4
Bezbednost električnih proizvoda	4
Bezbednost proizvoda	5
Namena	7
Bezbednost dece	7
Odlaganje dotrajalog proizvoda u otpad	8
Odlaganje ambalažnog materijala.....	8

2 Opšte informacije 9

Pregled	9
Sadržaji pakovanja	10
Tehničke specifikacije	11

3 Instalacija 12

Pre instalacije	12
Instalacija i povezivanje	13
Odlaganje dotrajalog proizvoda u otpad	14

4 Pripreme 15

Saveti za uštedu energije.....	15
Prva upotreba	15
Prvo čišćenje proizvoda	15
Prvo zagrevanje	15

5 Kako koristiti ploču za kuvanje 16

Opšte informacije o kuvanju	16
Korišćenje ploča za kuvanje	16

6 Kako rukovati rernom 18

Opšte informacije o pečenju, pečenju mesa i pečenju na roštilju	18
Kako koristiti električnu rernu	18
Režimi rada.....	19
Korišćenje sata rerne.....	19
Tabela vremena kuvanja	20
Kako rukovati roštiljem	21
Tabela vremena kuvanja za pečenje roštilja.....	21

7 Održavanje i nega 22

Opšte informacije	22
Očistite ploču za kuvanje.	22
Čišćenje komandne table.....	22
Čišćenje rerne.....	22
Skidanje vrata rerne	22
Skidanje unutrašnjeg stakla na vratima.....	23
Zamena sijalice u rerni	23

8 Otklanjanje kvarova 24

1 Važna uputstva i upozorenja za bezbednost i okruženje

Ovaj odeljak sadrži sigurnosna uputstva koja će vam pomoći da se zaštitite od opasnosti povreda i oštećenja imovine. Neuspešno praćenje ovih uputstava će poništiti garanciju.

Opšta bezbednost

- Ovaj uređaj mogu koristiti deca starija od 8 godina i osobe sa smanjenim fizičkim, senzornim ili mentalnim sposobnostima ili kojima nedostaju iskustvo i znanje, ako su pod nadzorom ili su dobili uputstva u vezi sa bezbednom upotrebom uređaja i razumeju uključene opasnosti. Deca se ne smeju igrati sa uređajem. Deca ne smeju čistiti ili održavati uređaj bez nadzora.
- Ako se proizvod ustupi drugoj osobi za ličnu upotrebu ili kao polovan proizvod, potrebno je takođe proslediti korisnički priručnik, etikete proizvoda i druge relevantne dokumente i delove.
- Nikada ne stavljajte uređaj na pod pokriven tepihom. Inače, umanjen protoka vazduha ispod proizvoda će uzrokovati pregrevanje električnih delova. Ovo će izazvati probleme sa Vašim proizvodom.
- Instalaciju i popravke smeju da vrše samo ovlašćeni serviseri.

Proizvođač neće snositi odgovornost za štete koje nastanu zbog postupaka koje su obavile neovlašćene osobe, što takođe može poništiti garanciju. Pre instalacije, pažljivo pročitajte uputstva.

- Ne uključujte proizvod ako je u kvaru ili ima vidljivo oštećenje.
- Prekontrolišite da li su funkcijski tasteri na proizvodu isključeni nakon svake upotrebe.

Bezbednost električnih proizvoda

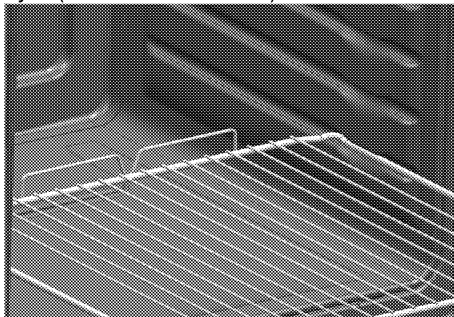
- Ako je proizvod neispravan, ne treba da se koristi dok ga ne popravi ovlašćeni serviser. Postoji opasnost od električnog udara!
- Proizvod povežite samo na uzemljenu utičnicu/vod sa naponom i zaštitom navedenim u „Tehničkim specifikacijama“. Uzemljenje instalacije mora da obavi kvalifikovani električar u slučaju da se proizvod koristi sa ili bez transformatora. Naša kompanija neće biti odgovorna ni za kakve probleme koji nastanu zbog korišćenja proizvoda sa neuzemljenom instalacijom u skladu sa lokalnim propisima.
- Nikada ne perite proizvod prskanjem ili sipanjem vode na njega! Postoji opasnost od električnog udara!

- Proizvod mora da bude isključen za vreme instalacije, održavanja, čišćenja i popravke.
- Ako je priključni kabl za napajanje proizvoda oštećen, mora da ga zameni proizvođač, njegov serviser ili odgovarajuće kvalifikovano lice kako bi se izbegle opasnosti.
- Aparat mora da se instalira tako da može potpuno da se isključi sa mreže. Razdvajanje mora da bude obezbeđeno ili putem mrežnog utikača ili putem prekidača ugrađenog u fiksnu električnu instalaciju u skladu sa građevinskim propisima.
- Zadnja strana rerne se jako zagreva za vreme upotrebe. Pobrinite se da električni priključak ne dodiruje zadnju površinu, jer se može oštetiti.
- Ne prignječujte kabl za napajanje između vrata rerne i okvira i ne vodite ga preko vrućih površina. U suprotnom može doći do topljenja izolacije kabla i do požara zbog kratkog spoja.
- Sve radove na električnoj opremi i sistemima treba da vrše samo ovlašćena kvalifikovana lica.
- U slučaju oštećenja, isključite proizvod i odvojite od električne mreže. Da biste to uradili, isključite osigurač u domaćinstvu.
- Uverite se da je jačina osigurača kompatibilna sa ovim proizvodom.

Bezbednost proizvoda

- Uređaj i njegovi pristupačni delovi se zagrevaju tokom upotrebe. Budite pažljivi da biste izbegli dodirivanje vrućih elemenata. Decu mlađu od 8 godina treba udaljiti osim u slučaju da ih neprekidno nadgledate.
- Nikad ne koristite proizvod u slučaju oslabljenog rasuđivanja ili koordinacije pod uticajem konzumiranja alkohola i/ili lekova.
- Budite pažljivi kada koristite alkoholna pića u vašem posuđu. Alkohol na visokim temperaturama isparava i može da prouzrokuje požar jer se može upaliti ako dođe u kontakt sa vrućim površinama.
- Ne stavljajte nikakav zapaljivi materijal blizu proizvoda, jer njegove stranice mogu da se zagrevaju u toku upotrebe.
- Uređaj se zagreva tokom upotrebe. Budite pažljivi da biste izbegli dodirivanje vrućih elemenata u unutrašnjosti rerne.
- Održavajte čistoću svih ventilacionih otvora.
- Ne zagrevajte zatvorene konzerve i staklene tegle u rerni. Pritisak koji se može stvoriti u plehu/tegli može da izazove njihovo pucanje.

- Plehove za pečenje, posuđe ili aluminijumsku foliju ne stavljajte direktno na dno rerne. Akumulirana toplota bi mogla da ošteti dno rerne.
- Ne koristite abrazivna sredstva za čišćenje ili tvrde metalne strugače za čišćenje stakla na vratima rerne jer mogu izgubiti površinu, što može dovesti do razbijanja stakla
- Ne koristite paročištače za čišćenje uređaja da ne biste izazvali električni udar.
- Pravilno postavljanje žičane police i pleha na žičane police
Važno je da se žičana policica i/ili pleh pravilno postave na policu. Žičanu policu ili pleh gurnite između 2 šine i proverite stabilnost pre postavljanja jela na njih (vidi sledeću sliku).



- Ne koristite proizvod ako je staklo na prednjim vratima skinuto ili napuklo.
- Ručica rerne ne služi za sušenje peškira. Ne kačite peškir, rukavice ili slične proizvode od

tekstila dok roštilj radi sa otvorenim vratima rerne.

- Uvek koristite termootporne rukavice za rernu kada posuđe stavljate ili vadite iz vruće rerne.
- Postavite papir za pečenje u šerpu ili na dodatak za rernu (pleh, grill itd.) zajedno sa hranom, a zatim ubacite sve u prethodno zagrejanu rernu. Uklonite višak delova papira za pečenje koji prelazi dodatak ili šerpu da biste sprečili rizik od dodirivanja grejnih elemenata u rerni. Nikada nemojte da koristite papir za pečenje na temperaturi koja je veća od naznačene temperature za papir za pečenje. Nemojte da stavljate papir za pečenje direktno na dno rerne.
- Pobrinite se da aparat bude isključen pre zamene sijalice da biste izbegli mogućnost električnog udara.
- Kuvanje na ringli sa zagrejanom masti ili uljem može biti opasno i dovesti do požara. NIKADA ne pokušavajte da gasite vatru vodom, već isključite uređaj, a zatim pokrijte plamen tj., pokrijte ga poklopcem ili protivpožarnim ćebetom.
- Opasnost od požara: Nemojte držati predmete na površinama za kuvanje.

- Ako je površina naprsila, isključite uređaj da biste izbegli mogućnost električnog udara.
- U slučaju da se staklo ploče za kuvanje polomi: Odmah isključite sve gorionike i sve električne grejne elemente i izolujte uređaj od napajanja. Nemojte da dodirujete površinu uređaja. Nemojte da koristite uređaj.
- Ovaj aparat nije predviđen da se upravlja putem eksternog tajmera ili posebnog sistema daljinskog upravljača.
- Pritisak pare koji se može stvoriti zbog vlage na površini ploče za kuvanje ili na dnu šerpe može da izazove pomeranje šerpe. Zbog toga treba da se uverite da su površina rerne i dna šerpi uvek suve.
- Koristite samo štitnike ploče za kuvanje koje je dizajnirao proizvođač aparata za kuvanje ili koje je proizvođač aparata odredio kao pogodne u uputstvu za upotrebu, ili štitnike ploče za kuvanje koje sadrži aparat. Upotreba neodgovarajućih štitnika može izazvati nezgode.

Za pouzdanost proizvoda od požara:

- Uverite se da je utikač dobro umetnut u utičnicu kako ne bi izazvao varnice.

- Ne koristite oštećen, isečen ili produžni kabl, osim originalnog kabla.
- Pobrinite se da na utičnici na koju je priključen proizvod nema ni vlage ni tečnosti.

Namena

- Ovaj proizvod je namenjen za kućnu upotrebu. Komercijalna upotreba nije dozvoljena.
- Ovaj aparat služi samo za kuvanje. On ne sme da se koristi za druge svrhe, na primer za grejanje prostorije."
- Ovaj proizvod ne sme se koristiti za zagrevanje tanjira ispod rešetke roštilja, vešanje peškira, kuhinjskih krpa itd. na ručici, niti u druge svrhe zagrevanja.
- Proizvođač neće biti odgovoran ni za kakve štete koje su nastale kao posledica nenamenske upotrebe ili pogrešnog rukovanja.
- Rerna može da se koristi za odmrzavanje, pečenje i pečenje hrane na roštilju.

Bezbednost dece

- Pristupačni delovi mogu da se zagreju za vreme upotrebe. Decu treba udaljiti.
- Materijali za pakovanje su opasni za decu. Ambalažne materijale držite van domašaja dece. Molimo da sve delove ambalaže odložite u otpad u skladu sa ekološkim standardima.

- Električni proizvodi su opasni za decu. Udaljite decu od proizvoda kada je uključen i nemojte im dozvoliti da se igraju sa proizvodom.
- Iznad uređaja ne stavljajte predmete koje bi deca mogla da dohvate.
- Kada su vrata otvorena, ne stavljajte teške predmete na njih i ne dozvolite da deca sede na njima. To može da dovede do prevrtanja i mogu da se oštete šarke vrata.

Odlaganje dotrajalog proizvoda u otpad

Usaglašenost sa WEEE direktivom i odlaganje otpada:



Ovaj proizvod je usaglašen sa WEEE direktivom Evropske Unije (2012/19/EU). Ovaj proizvod nosi znak klasifikacije za električni i elektronski otpad (WEEE). Ovaj proizvod je proizveden od visoko kvalitetnih delova i materijala koji se mogu ponovo koristiti i pogodni su za reciklažu. Nemojte odlagati proizvod u otpad sa običnim kućnim otpadom i drugim otpadima na kraju veka trajanja. Odložite ga u centar za sakupljanje i reciklažu električnog i elektronskog otpada. Konsultujte se sa svojim lokalnim vlastima da biste saznali o ovim centrima za sakupljanje otpada.

Usaglašenost sa RoHS direktivom:

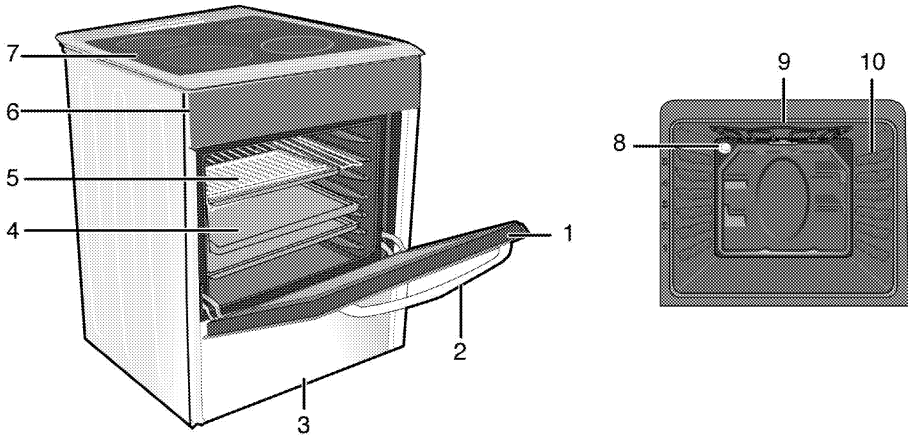
Proizvod koji ste kupili u saglasnosti je sa RoHS direktivom Evropske Unije (2011/65/EU). On ne sadrži štetne i zabranjene materijale navedene u direktivi.

Odlaganje ambalažnog materijala

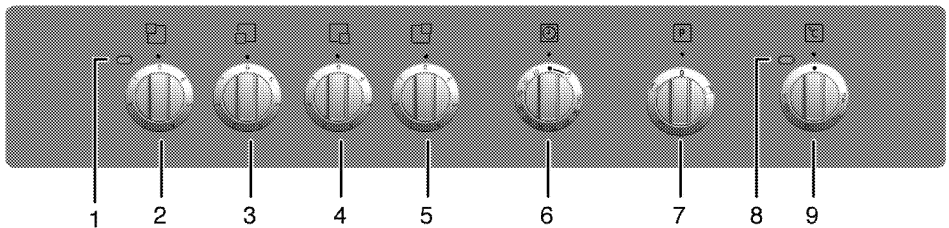
- Ambalažni materijali su opasni po decu. Ambalažni materijal čuvajte na bezbednom mestu, van domašaja dece. Ambalažni materijali za ovaj proizvod su proizvedeni od materijala koji se mogu reciklirati. Odložite ih pravilno i sortirajte u skladu sa uputstvima za recikliranje otpada. Ne odlazite ih sa običnim kućnim otpadom.

2 Opšte informacije

Pregled



- | | | | |
|---|---------------|----|---------------------|
| 1 | Prednja vrata | 6 | Kontrolna tabla |
| 2 | Ručka | 7 | Ploča sa gorionikom |
| 3 | Donji deo | 8 | Lampa |
| 4 | Pleh | 9 | Grejač roštilja |
| 5 | Žičana polica | 10 | Položaji police |



- | | | | |
|---|--|---|---------------------------------|
| 1 | Lampica za upozorenje | 6 | Mehanički vremenski programator |
| 2 | Ploča za kuvanje sa jednim krugom Pozadi levo | 7 | Obrtno dugme za izbor funkcije |
| 3 | Ploča za kuvanje sa jednim krugom Napred levo | 8 | Lampica termostata |
| 4 | Ploča za kuvanje sa jednim krugom Napred desno | 9 | Obrtno dugme termostata |
| 5 | Ploča za kuvanje sa jednim krugom Pozadi desno | | |

Sadržaji pakovanja

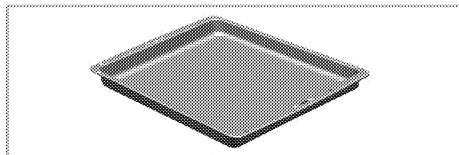


Isporučeni pribor može da se razlikuje u zavisnosti od modela uređaja. Sav pribor, koji je opisan u ovom korisničkom priručniku, možda neće postojati kod vašeg proizvoda.

1. **Korisnički priručnik**

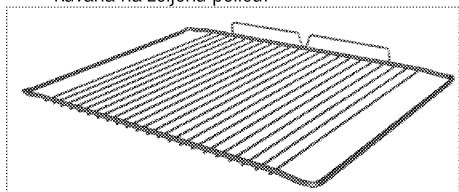
2. **Pleh za renu**

Koristi se za peciva, smrznutu hranu ili pečenje velikih komada mesa.



3. **Žičana polica**

Koristi se za pečenje i za stavljanje šerpe sa hranom koja treba da bude pečena, pržena ili kuvana na željenuolicu.



Tehničke specifikacije

OPŠTE	
Spoljne dimenzije (visina/širina/dubina)	850 mm/500 mm/600 mm
Napon/frekvencija	230 V ~ 50 Hz
Ukupna potrošnja energije	7.7 kW
Osigurač	min. 25 A
Tip kabla / poprečni presek	min.H05VV-FG 3 x 2,5 mm ²
Ploča za kuvanje	
Gorionici	
Pozadi levo	Ploča za kuvanje sa jednim krugom
Dimenzije	140 mm
Snaga	1200 W
Napred levo	Ploča za kuvanje sa jednim krugom
Dimenzije	180 mm
Snaga	1700 W
Napred desno	Ploča za kuvanje sa jednim krugom
Dimenzije	140 mm
Snaga	1200 W
Pozadi desno	Ploča za kuvanje sa jednim krugom
Dimenzije	180 mm
Snaga	1700 W
RERNA/ROŠTILJ	
Glavna rerna	Klasična rerna
Unutrašnja lampa	15–25 W
Potrošnja roštilja	1.6 kW

Osnovi: Informacije na nalepnici energetskega rejtinga električnih rerni navedene su u skladu sa EN 60350-1 / IEC 60350-1 standardom. Ove vrednosti su određene pod standardnim opterećenjem sa gornjim i donjim grejačem ili sa funkcijama koje uključuju ventilator (ako postoje).

Klasa energetske efikasnosti je određena u skladu sa sledećim prioritetom u zavisnosti od toga da li relevantne funkcije postoje kod proizvoda ili ne. 1-Kuvanje sa eko ventilatorom, 2- Turbo sporo kuvanje, 3- Turbo kuvanje, 4- Zagrevanje odozdo/odozgo uz pomoć ventilatora, 5-Zagrevanje odozgo i odozdo.



Tehničke specifikacije se mogu izmeniti bez prethodnog obaveštenja da bi se poboljšao kvalitet proizvoda.



Slike koje su date u ovom uputstvu za upotrebu su samo ilustrativne i možda se neće u potpunosti poklapati sa vašim proizvodom.



Vrednosti, koje su navedene na oznakama proizvoda ili u drugoj dokumentaciji koju ste dobili uz proizvod, dobijene su pod laboratorijskim uslovima u skladu sa odgovarajućim standardima. U zavisnosti od radnih uslova i uslova okruženja proizvoda, ove vrednosti se mogu razlikovati.

3 Instalacija

Proizvod mora da instalira kvalifikovano lice u skladu sa važećim propisima. U suprotnom, garancija neće važiti. Proizvođač neće biti odgovoran za štete koje nastanu zbog postupaka koje su obavile neovlašćene osobe i može da poništi garanciju.



Priprema lokacije i električne instalacije za proizvod su odgovornost kupca.



OPASNOST:

Ovaj proizvod mora da se instalira u skladu sa svim lokalnim propisima za gasne i/ili električne instalacije.

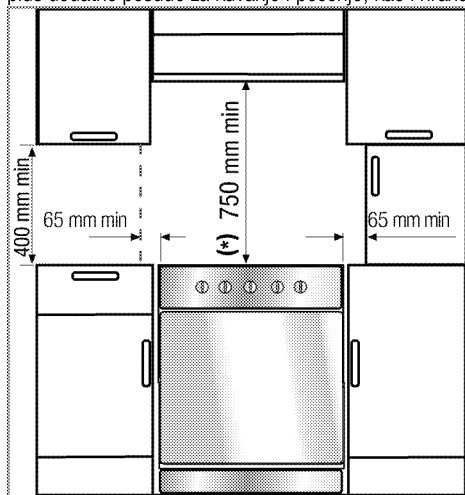


OPASNOST:

Pre instalacije vizuelno proverite da li na proizvodu postoje bilo kakva oštećenja. Ako ustanovite oštećenja, nemojte ga instalirati. Oštećeni proizvodi predstavljaju opasnost po vašu bezbednost.

Pre instalacije

Da biste osigurali da ispod aparata postoji kritičan slobodan vazdušni prostor, preporučujemo da se ovaj aparat montira na čvrstoj osnovi i da nožice ne upadaju u tepih ili neku drugu mekanu podnu oblogu. Kuhinjski pod mora da bude u stanju da izdrži aparat plus dodatno posude za kuvanje i pečenje, kao i hranu.

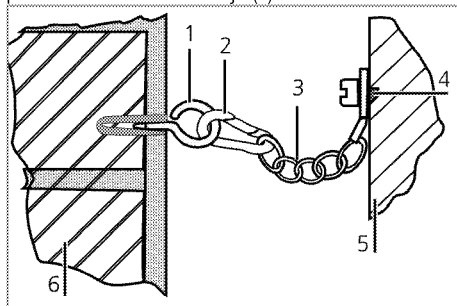


- Može se koristiti sa ormaricama sa obe strane, ali se mora obezbediti minimalan slobodan prostor od 400mm iznad nivoa ploče za kuvanje i slobodan prostor od 65mm između šporeta i bilo kog bočnog zida, pregrade ili visokog ormarića.

- Može se koristiti i u slobodno stojećem položaju. Obezbedite minimalni razmak od 750mm iznad površine ploče za kuvanje.
- (*) Ako se kuhinjski aspirator montira iznad šporeta, pogledajte uputstvo proizvođača aspiratora u vezi sa visinom instalacije (min. 650 mm).
- Uređaj odgovara aparatu klase 1, tj. njegova zadnja strana i **jedna** bočna strana može da se postavi uz zidove kuhinje, kuhinjski nameštaj ili drugi uređaj bilo koje veličine. Kuhinjski nameštaj ili uređaj sa **druge** strane šporeta mora da bude iste veličine ili niži.
- Svaki element kuhinskog nameštaja koji se nalazi uz aparat mora da bude otporan na toplotu (min. do 100 °C).

Sigurnosni lanac

Uređaj mora da se osigura od pada korišćenjem dva sigurnosna lanca sa kojim je rerna isporučena. Zakačite kuku (1) pomoću odgovarajućeg eksera na kuhinjski zid (6) i učvrstite sigurnosni lanac (3) na kuku preko mehanizma blokiranja (2).



- Kuka za stabilizaciju
- Mehanizam blokiranja
- Sigurnosni lanac
- Učvrstite lanac na zadnjoj strani šporeta
- Zadnja strana šporeta
- Kuhinjski zid



Stabilizacioni lanac treba da bude što je moguće kraći da bi se sprečilo da se rerna naginje prema napred i treba da stoji dijagonalno da bi se sprečilo bočno naginjanje rerne.

Stabilizacioni lanac za šporete nije dizajniran sa mestom za pričvršćivanje konzole.

Instalacija i povezivanje

Uređaj se može instalirati i povezati samo u skladu sa propisanim pravilima za instalaciju.



Ne instalirajte proizvod pored frižidera ili zamrzivača. Toplota koju emituje proizvod može da prouzrokuje povećanu potrošnju energije rashladnih aparata.

- Uređaj moraju da nose najmanje dve osobe.
- Uređaj mora pravilno da se osigura na pod. Ne sme da se postavlja na postolje ili podnožje.



Ne koristite vrata i/ili ručicu za nošenje ili pomeranje ovog proizvoda. Vrata, ručica za ili šarke se mogu oštetiti.

Električno povezivanje

Povežite proizvod na uzemljenu utičnicu/vod zaštićen osiguračem odgovarajućeg kapaciteta, kao što je navedeno u tabeli "Tehničke specifikacije". Uzemljenje instalacije mora da obavi kvalifikovani električar u slučaju da se proizvod koristi sa ili bez transformatora. Naša kompanija neće biti odgovorna ni za kakve štete koje su nastale zbog korišćenja proizvoda sa neuzemljenom instalacijom, u skladu sa lokalnim propisima.



OPASNOST:

Na gasnu mrežu proizvod sme da priključi samo ovlašćeno kvalifikovano lice. Garantni rok za proizvod počinje samo nakon pravilne instalacije. Proizvođač neće biti odgovoran za štete koje nastanu zbog postupaka koje su obavile neovlašćene osobe.



OPASNOST:

Električni kabl za napajanje ne sme da se priklešti, savije ili prignječi ili da dođe u dodir sa vrućim delovima proizvoda. Oštećeni kabl za napajanje mora da zameni kvalifikovani električar. U suprotnom, postoji opasnost od električnog udara, kratkog spoja ili požara!

Podaci o mrežnom napajanju moraju da odgovaraju podacima koji su navedeni na tipskoj pločici proizvoda. Tipska pločica se vidi kada se otvore vrata ili donji poklopac ili se nalazi na zadnjoj strani uređaja, što zavisi od tipa uređaja.

Kabl za napajanje vašeg proizvoda mora da bude u skladu sa vrednostima u tabeli „Tehničke specifikacije“.



OPASNOST:

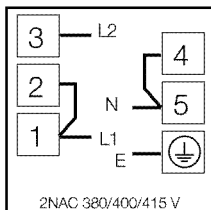
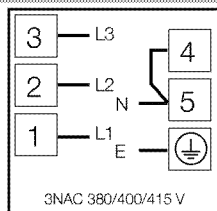
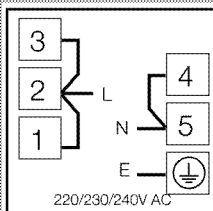
Pre radova na električnoj instalaciji isključite proizvod iz struje. Postoji opasnost od električnog udara!

Povezivanje kabla za napajanje


1. Ukoliko nije moguće isključiti napajanje preko svih izvoda (polova), rastavni uređaj sa najmanje 3 mm zazora kontakta (osigurači, fazni sigurnosni prekidači, kontaktori) moraju da se povežu, a svi polovi ovog rastavnog uređaja moraju da budu u blizini proizvoda (ne iznad) u skladu sa IEE smernicama. Nepridržavanje ovog uputstva može da dovede do problema u radu i poništavanja garancije za proizvod.

Preporučuje se dodatna zaštita putem FID sklopke za zaštitu od struje greške.

Ako je kabl isporučen sa proizvodom:



2. **Za jednofazno povezivanje**, žice treba povezati na sledeći način:

- Braon kabl = L (faza)
- Plavi kabl = N (nula)
- Zeleno/žuti kabl = (E)  (Uzemljenje)
- Gurnite uređaj prema kuhinjskom zidu.
- **Podešavanje nožica rene**

Vibracije tokom upotrebe mogu izazvati pomeranje posuda. Ova opasna situacija se može izbeći ako je uređaj nivelisan i stabilan. Radi vaše bezbednosti, proverite da li je uređaj nivelisan podešavanjem četiri nožica na dnu okretanjem na levo ili desno da biste ujednačili nivo sa radnom površinom.

Finalna provera

1. Ponovo priključite uređaj na napajanje.
2. Proverite sve električne funkcije.

Odlaganje dotrajalog proizvoda u otpad

- Sačuvajte originalnu ambalažnu kutiju ovog proizvoda i transportujte proizvod u njoj. Pratite uputstva na kutiji. Ako nemate originalnu ambalažnu kutiju, proizvod upakujte u foliju za pakovanje sa vazdušnim mehurićima ili deblji karton i dobro zalepite.
- Da biste sprečili da rešetka za roštilj i pleh u rerni oštete vrata rerne, postavite komad kartona na unutrašnju stranu vrata rerne prema položaju plehova. Vrata rerne zalepite trakom za bočne stranice.
- Ne koristite vrata ili ručicu za podizanje ili pomeranje ovog proizvoda.



Ne stavljajte nikakve predmete na proizvod i premeštajte ga u uspravnom položaju.



Proverite opšti izgled svog proizvoda da biste pronašli eventualna oštećenja koja su mogla nastati za vreme transporta.

4 Pripreme

Saveti za uštedu energije

Sledeće informacije će vam pomoći da vaš uređaj koristite na ekološki način i štedite energiju:

- U rerni koristite emajlirane poklopce ili poklopce tamne boje jer će prenos toplote biti bolji.
- Dok kuvate jela, obavite predzagrevanje ako se to savetuje u korisničkom uputstvu ili receptu.
- U toku pečenja ne otvarajte često vrata rerne.
- Kad god je moguće, kuvajte više jela u rerni istovremeno. Možete da kuvate dva jela u dve šerpe koje se mogu staviti na žičanu rešetku za roštilj.
- Kuvajte više jela jedno za drugim. Jer će rerna već biti zagrejana.
- Možete da uštedite energiju tako što ćete električnu rernu isključiti nekoliko minuta pre kraja vremena kuvanja. Ne otvarajte vrata rerne.
- Odmrznite smrznuta jela pre pečenja.
- Za kuvanje koristite šerpe i tiganje sa poklopcem. Ako se ne stavi poklopac, potrošnja energije može biti 4 puta veća.
- Izaberite gorionik koji odgovara veličini dna šerpe koja će biti korišćena. Uvek birajte pravilnu veličinu šerpe za svoje jelo. Veće šerpe zahtevaju više energije.
- Koristite šerpe sa ravnim dnom kada kuvate na električnim ringlama. Šerpe sa debelim dnom obezbeđuju bolju toplotnu provodnost. Možete da uštedite do 1/3 energije.
- Posude i šerpe moraju da odgovaraju zonama za kuvanje. Dno posuda ili šerpe ne sme biti manje od ringle.
- Održavajte čistoću zona za kuvanje i dna šerpi. Nečistoće će smanjiti provođenje toplote između zone za kuvanje i dna šerpe.
- U slučaju dužeg kuvanja, isključite zonu za kuvanje 5 ili 10 minuta pre završetka vremena kuvanja. Možete da uštedite do 20% energije korišćenjem preostale toplote.

Prva upotreba

Prvo čišćenje proizvoda



Prilikom upotrebe nekih deterdženata ili sredstava za čišćenje mogla bi da se ošteti površina.

Ne koristite agresivne deterdžente, praškove/tečnosti za čišćenje ili oštre predmete tokom čišćenja.

1. Uklonite sve ambalažne materijale.
2. Obrišite površine proizvoda vlažnom krpom ili sunderom i osušite ga krpom.

Prvo zagrevanje

Uključite proizvod da bi se zagrejao i ostavite ga tako oko 30 minuta, a zatim ga isključite. Tako će da sagore bilo kakvi ostaci ili slojevi iz proizvodnje.



UPOZORENJE

Vruće površine mogu da prouzrokuju opekotine!

Uređaj može da bude vruć za vreme upotrebe. Nikada ne dodirujte vruće gorionike, unutrašnje delove rerne, grejače itd. Udaljite decu.

Uvek koristite termootporne rukavice za rernu kada posude stavljate ili vadite iz vruće rerne.

Električna rerna

1. Izvadite sve plehove za pečenje i žičanu rešetku roštilja iz rerne.
2. Zatvorite vrata rerne.
3. Izaberite statičan položaj.
4. Izaberite najveću jačinu za roštilj; pogledajte *Kako koristiti električnu rernu, strana 18*.
5. Uključite na oko 30 minuta.
6. Isključite rernu; pogledajte *Kako koristiti električnu rernu, strana 18*

Rerna za roštilj

1. Izvadite sve plehove za pečenje i žičanu rešetku roštilja iz rerne.
2. Zatvorite vrata rerne.
3. Izaberite najveću jačinu za roštilj; pogledajte *Kako rukovati roštiljem, strana 21*.
4. Uključite na oko 30 minuta.
5. Isključite roštilj; pogledajte *Kako rukovati roštiljem, strana 21*



Tokom prvog uključivanja se par sati može javiti dim i osetiti neobičan miris. To je potpuno normalno. Pobrinite se da soba ima dobru ventilaciju radi uklanjanja dima i neobičnog mirisa. Izbegavajte direktno udisanje dima i mirisa koji se osećaju.

5 Kako koristiti ploču za kuvanje

Opšte informacije o kuvanju

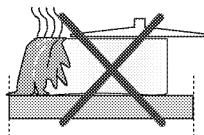


Nikad puniti posudu uljem više od jedne trećine. Ne ostavljajte ploču za kuvanje bez nadzora kada zagrevate ulje. Pregrejano ulje predstavlja opasnost od požara. **Nikada ne pokušavajte da eventualnu vatru gasite vodom!** Ako se ulje zapali, pokrijte ga protivpožarnim čebetom ili vlažnom krpom. Isključite ploču za kuvanje, ako se to može bezbedno uraditi i pozovite vatrogasce.

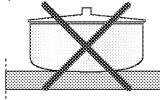
- Pre prženja hrane, uvek je dobro osušite i pažljivo spustite u vrelo ulje. Postarajte se da namirnice budu potpuno odmrznute pre prženja.
- Ne poklapajte posudu koju koristite kada zagrevate ulje.
- Postavite lonce i šerpe na način da njihove ručice ne budu iznad ploče za kuvanje kako biste sprečili njihovo zagrevanje. Ne stavljajte na ploču za kuvanje nestabilne posude ili one koje se mogu lako prevrnuti.
- Ne stavljajte prazne posude i šerpe na zone za kuvanje koje su uključene. Mogu da se oštete.
- Rad zone za kuvanje bez posude ili šerpe na njoj izazvaće oštećenje uređaja. Isključite zone za kuvanje nakon što je kuvanje završeno.
- Kako površina uređaja može biti vruća, ne stavljajte na nju plastične ili aluminijumske posude. Odmah očistite sve takve otopljene materijale sa površine. Takve posude ne bi trebalo koristiti ni za držanje hrane.
- Koristite samo šerpe ili posude sa ravnim dnom.
- U šerpe i lonce stavljajte odgovarajuću količinu hrane. Tako ćete sprečiti nepotrebno čišćenje zbog preliivanja. Ne stavljajte poklopce za šerpe i lonce na zone za kuvanje. Postavite šerpe na način da budu u centru zone za kuvanje. Kada želite da premestite šerpu na drugu zonu za kuvanje, podignite je i stavite na zonu za kuvanje koju želite umesto da je povlačite po površini.

Saveti za staklokeramičke ploče za kuvanje

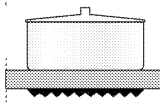
- Staklokeramička površina je otporna na toplotu i na nju ne utiču velike temperaturne razlike.
- Ne koristite staklokeramičku površinu kao mesto za čuvanje ili kao dasku za sečenje hrane.
- Koristite samo šerpe i lonce sa obrađenim dnom. Oštre ivice mogu izgubiti površinu.
- Ne koristite aluminijumske posude i šerpe. Aluminijum oštećuje staklokeramičku površinu.



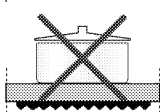
Prolivanja hrane mogu oštetiti staklokeramičku površinu i izazvati požar.



Nemojte koristiti posude sa konkavnim ili konveksnim dnom.

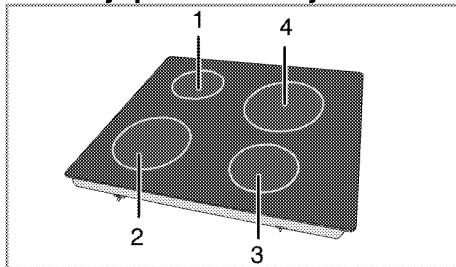


Koristite samo šerpe i lonce sa ravnim dnom. Oni obezbeđuju lakši prenos toplote.



Ako je prečnik šerpe suviše mali, nepotrebno će se izgubiti energija.

Korišćenje ploča za kuvanje



- 1 Ploča za kuvanje sa jednim krugom 14-16 cm
- 2 Ploča za kuvanje sa jednim krugom 18-20 cm
- 3 Ploča za kuvanje sa jednim krugom 14-16 cm
- 4 Ploča za kuvanje sa jednim krugom 18-20 cm je lista preporučeni prečnika šerpi koje mogu da se koriste na odgovarajućim ringlama.

**OPASNOST:**

Pazite da na ploču za kuvanje ne padne neki predmet. Čak i mali predmeti, npr. slanik, mogu da oštete ploču za kuvanje.

Ne koristite naprsu ploču za kuvanje. Voda može ući u naprsline i prouzrokovati kratak spoj.

U slučaju bilo kakvog oštećenja površine (npr. vidljive naprsline), odmah isključite proizvod da biste smanjili opasnost od električnog udara.

Staklokeramička ploča za kuvanje je opremljena svetlom za rad i signalnom lampicom upozorenja za vruću zonu.

Signalna lampica upozorenja za vruću zonu označava položaj aktivne zone za kuvanje i ostaje upaljena nakon što se zona za kuvanje isključi. Kada se zona za kuvanje ohladi do mere kada može biti dodirnuta rukom, signalna lampica upozorenja se isključuje.

Treperenje signalne lampice upozorenja za vruću zonu ne predstavlja kvar.

Uključivanje staklokeramičkih zona za kuvanje

Koristite tastere zone za kuvanje da biste upravljali staklokeramičkim zonama za kuvanje. Pomerajte dugme zone za kuvanje do odgovarajuće jačine da biste postigli željeni nivo kuvanja.

Jačina kuvanja	1	2 — 3	4 — 6
	zagrevanje	ključanje, mirovanje	kuvanje, prženje

Isključivanje staklokeramičkih zona za kuvanje

Okrenite dugme za ringlu u položaj "ISKLJUČENO" (gore).

6 Kako rukovati rernom

Opšte informacije o pečenju, pečenju mesa i pečenju na roštilju



UPOZORENJE

Vruće površine mogu da prouzrokuju opekotine!

Uredaj može da bude vruć za vreme upotrebe. Nikada ne dodirujte vruće gorionike, unutrašnje delove rerne, grejače itd. Udaljite decu.

Uvek koristite termootporne rukavice za rernu kada posude stavljate ili vadite iz vruće rerne.



OPASNOST:

Vodite računa kada otvarate vrata rerne, jer može da izađe para.

Para koja izlazi može da opeče vaše ruke, lice i/ili oči.

Saveti za pečenje

- Koristite odgovarajuće metalne tepsije ili aluminijumske posude ili termootporne silikonske kalupe.
- Prostor na polici iskoristite što je moguće bolje.
- Stavite kalup za pečenje na sredinu police.
- Izaberite pravilan položaj police pre nego što uključite rernu ili roštilj. Ne menjajte položaj police dok je rerna vruća.
- Vrata rerne držite zatvorena.

Saveti za pečenje mesa

- Prelivanje celog pileta, ćurke i velikih komada mesa sa prelivima kao što su sok od limuna i crni biber pre kuvanja će povećati efikasnost kuvanja.
- Pečenje mesa sa kostima traje 15 do 30 minuta duže u poređenju sa pečenjem iste količine mesa bez kostiju.
- Svaki centimetar debljine mesa zahteva približno 4 do 5 minuta kuvanja.
- Pustite da meso ostane u rerni oko 10 minuta po završetku vremena kuvanja (cooking time). Sokovi se bolje raspodeljuju po celom pečenju i ne ističu kada se meso seče.
- Riba se može staviti na srednju ili donju policu u termootpornu posudu.

Saveti za pečenje na roštilju

Ako se meso, riba i piletina peku na roštilju, oni brzo dobijaju braonkastu boju, imaju lepu koru i ne suše se. Ravni komadi, ražnjići i kobasice su naročito

pogodni za pečenje na roštilju, kao i povrće sa visokim sadržajem vode kao što su paradajz i crni luk.

- Rasporedite komade koje treba peći na žičanoj rešetki roštilja ili u plehu za pečenje sa rešetkom za roštilj tako da oni ne prelaze veličinu grejača.
- Namestite rešetku za roštilj ili pleh za pečenje sa rešetkom za roštilj na odgovarajući nivo u rerni. Ako pečete na rešetki za roštilj, namestite pleh za pečenje na donju policu radi sakupljanja masnoće. U pleh za pečenje dodajte malo vode radi lakšeg čišćenja.

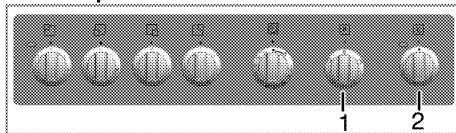


Hrana koja nije podesna za pečenje na roštilju može da prouzrokuje požar. Za pečenje na roštilju koristite samo hranu koja je prikladna za intenzivnu toplotu roštilja.

Ne stavljajte hranu u zadnji deo rešetke za roštilj. To je najtoplija oblast, pa bi masna hrana mogla da se upali.

Kako koristiti električnu rernu

Izbor temperature i način rada



1 Obrtno dugme za izbor funkcije

2 Obrtno dugme termostata

1. Podesite vremenski programator rerne na željeno vreme kuvanja; pogledajte *Korišćenje sata rerne, strana 19*.

2. Podesite dugme za temperaturu na željenu temperaturu.

3. Podesite dugme za izbor funkcije na željeni režim rada.

» Rerna se zagreva na podešenu temperaturu i održava je. Za vreme zagrevanja, kontrolna lamica za temperaturu je uključena.

Isključivanje električne rerne

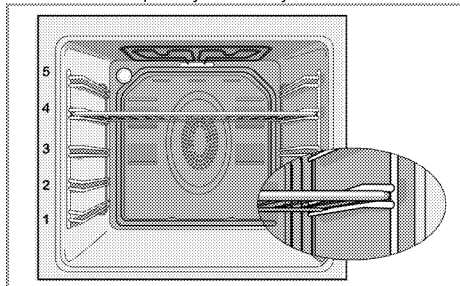
Vremenski programator rerne prebacite u položaj „isključeno“.



Ako je podešen na određeno vreme, vremenski programator će se automatski isključiti; pogledajte *Korišćenje sata rerne, strana 19*.

Okrenite dugme za izbor funkcije i dugme termostata u položaj „isključeno“ (gore).

Važno je da se rešetka za roštilj pravilno postavi na žičanu policu. Rešetka za roštilj mora biti ubačena između žičanih policica kao što je prikazano na slici. Ne dozvolite da se rešetka za roštilj oslanja na zadnji zid rerne. Namestite rešetku za roštilj na prednji deo police i uglavite je uz pomoć vrata kako bi se postigla veća efikasnost pečenja na roštilju.



Režimi rada

Redosled radnih režima je prikazan tamo gde bi mogao da odstupa od konfiguracije vašeg proizvoda.

Gornji i donji grejač



Gornji i donji grejač su uključeni. Jelo se istovremeno zagreva i od vrha i od dna. Na primer, pogodno je za torte, peciva, ili kolače i musaku u kalupima za pečenje. Kuvajte samo sa jednim plehom.

Donji grejač



Uključen je samo donji grejač. Pogodan je za picu i da naknadno zapečete jelo odozdo.

Roštilj



Uključen je mali roštilj ispod donjeg dela rerne. Pogodno za pečenje roštilja.

- Da biste ispekli roštilj, stavite male ili srednje porcije na odgovarajuću policu ispod grejača za roštilj.
- Podesite temperaturu na maksimalni nivo.
- Okrenite hranu nakon polovine vremena pečenja roštilja.

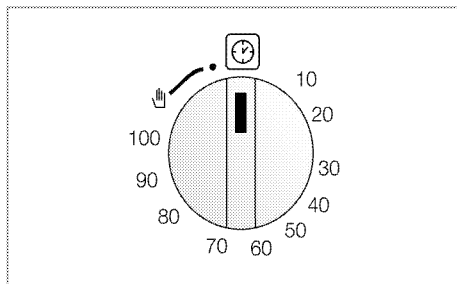
Full grill (Veliki roštilj)



Uključen je veliki roštilj ispod gornjeg dela rerne. To je pogodno za pečenje velikog komada mesa na roštilju.

- Da biste ispekli roštilj, stavite velike ili srednje porcije na odgovarajuću policu ispod grejača za roštilj.
- Podesite temperaturu na maksimalni nivo.
- Okrenite hranu nakon polovine vremena pečenja roštilja.

Korišćenje sata rerne



Starting the cooking (Početak kuvanja)



Da biste uključili rernu, morate podesiti režim kuvanja i željenu temperaturu i podesiti vreme. U suprotnom, rerna neće raditi.

1. Okrenite dugme za podešavanje vremena u smeru kretanja kazaljke na satu da biste podesili vreme kuvanja.
2. Stavite jelo u rernu.
3. Izaberite režim rada i temperaturu; vidite. *Kako koristiti električnu rernu, strana 18.*
» Rerna se zagreva do podešene temperature i održava je do kraja izabranog vremena kuvanja.
4. Kada vreme kuvanja (cooking time) istekne, dugme za podešavanje vremena će se automatski okretati u smeru suprotnom smeru kretanja kazaljke na satu. Oglašava se alarmni zvuk, koji ukazuje da je podešeno vreme završeno i da je napajanje isključeno.



Ako ne želite da koristite funkciju vremenskog programatora, okrenite dugme u smeru suprotnom kretanju kazaljke na satu do simbola ruke.

5. Isključite rernu pomoću dugmeta termostata i/ili dugmeta za izbor funkcije i dugmeta za izbor temperature.

Isključivanje rerne pre zadatog vremena

1. Okrenite dugme za podešavanje vremena suprotno od smera kretanja kazaljke na satu dok se ne zaustavi.
2. Isključite rernu pomoću dugmeta za izbor funkcije i/ili termostata .

Tabela vremena kuvanja



Vremena navedena u tabeli su orijentaciona. Ona mogu da budu različita u zavisnosti od vrste hrane, debljine, tipa i vašeg načina kuvanja.

Pečenje jela i pečenje mesa



Prva polica rerne je **donja** polica.

Jelo	Broj plehova		Položaj police	Temperatura (°C)	Vreme kuvanja (približ. u min.)
**Kolači u plehu	Jedan pleh		3	175	30 ... 45
**Kolač u kalupu	Jedan pleh		3	175	30 ... 50
**Kolači u papiru	Jedan pleh		3	160 ... 170	20 ... 30
**Koh	Jedan pleh		3	180 ... 200	10 ... 20
**Kolači	Jedan pleh		3	160 ... 170	20 ... 30
**Pecivo od kvasnog testa	Jedan pleh		3	200	20 ... 30
**Obogaćena peciva	Jedan pleh		3	190	25 ... 35
**Kvasac	Jedan pleh		3	190	20 ... 40
**Lazanje	Jedan pleh		2	180	25 ... 45
**Pica	Jedan pleh		2	200	15 ... 25
Govede šnicle (cele) / Pečene	Jedan pleh		2	25 min. 220, zatim 180 ... 190	80 ... 120
Jagnjeći but (musaka)	Jedan pleh		2	25 min. 220, zatim 180 ... 190	70 ... 100
Pečeno pile	Jedan pleh		2	15 min. 220, zatim 190	55 ... 75
Čuretina (Sečena)	Jedan pleh		2	25 min. 220, zatim 190	70 ... 120
Riba	Jedan pleh		3	200	20 ... 30

(**) Kod kuvanja koje zahteva predzagrevanje, na početku kuvanja vršite predzagrevanje sve dok se lampica termostata ne ugasi.

Saveti za pečenje kolača

- Ako je kolač previše suv, povećajte temperaturu za nekih 10 i skratite vreme pečenja.
- Ako je kolač vlažan, koristite manje tečnosti ili smanjite temperaturu za 10°C.
- Ako je kolač previše taman na površini, stavite ga na donju policu, smanjite temperaturu i produžite vreme pečenja.
- Ako je dobro ispečen iznutra ali je lepljiv spolja koristite manje tečnosti, smanjite temperaturu i produžite vreme pečenja.

Saveti za pečenje testenine

- Ako je testenina previše suva, povećajte temperaturu za nekih 10 i skratite vreme pečenja. Naprskajte slojeve testa sosom od mleka, ulja, jaja i jogurta.
- Ako je testenini potrebno puno vremena da se ispeče, povedite računa da debljina testenine koju ste pripremili ne premašuje dubinu pleha.
- Ako gornji sloj testenine dobije braon boju, ali donji deo nije ispečen, postarajte se da se

prevelika količina sosa koji ste upotrebili za testeninu ne nalazi na dnu testenine. Pokušajte da sos ravnomerno raspodelite na sve slojeve testa i na površinski sloj radi podjednagog pečenja.



Testeninu pecite u skladu sa režimom i temperaturom, koji su navedeni u tablici kuvanja. Ako donji deo još uvek nije dovoljno ispečen, sledeći put pleh postavite za jedan nivo niže.

Saveti za kuvanje povrća

- Ako jelo sa povrćem izgubi tečnost i postane previše suvo, kuvajte ga u šerpi sa poklopcem radije nego u plehu. Zatvorene posude će zadržati sokove jela.
- Ako se jelo od povrća ne skuva, obarite povrće pre samog kuvanja ili ga pripremite kao konzerviranu hranu i stavite u rernu.

Kako rukovati roštiljem



UPOZORENJE

Zatvorite vrata rerne za vreme pečenja na roštilju.

Vruće površine mogu da prouzrokuju opekotine!

- **Kada pečete na roštilju, okrenite dugme za podešavanje vremena u smeru kretanja kazaljke na satu di simbola ruke.**

Switching on the grill (Paljenje roštilja)

1. Okrenite dugme za izbor funkcija na željeni simbol roštilja.
2. Zatim izaberite željenu temperaturu roštilja.
3. Ako je potrebno, izvršite predzagrevanje oko 5 minuta.

» Lampica temperature se pali.

Gašenje roštilja

1. Okrenite dugme za izbor funkcije u položaj "isključeno" (gore).



Hrana koja nije podesna za pečenje na roštilju može da prouzrokuje požar. Za pečenje na roštilju koristite samo hranu koja je prikladna za intenzivnu toplotu roštilja.

Ne stavljajte hranu u zadnji deo rešetke za roštilj. To je najtoplija oblast, pa bi masna hrana mogla da se upali.

Tabela vremena kuvanja za pečenje roštilja

Pečenje na električnom roštilju

Hrana	Visina umetanja	Vreme pečenja na roštilju (približno)
Riba	4..5	20..25 min. #
Pileći fileti	4..5	25..35 min.
Jagnjeći kottleti	4..5	20..25 min. #
Goveđe kremenadle	4..5	25..30 min. #
Teleće kremenadle	4..5	25..30 min. #
Tost-hleb	4	1..2 min.
# zavisno od debljine		

7 Održavanje i nega

Opšte informacije

Servisni vek trajanja ovog proizvoda će se produžiti i učestali problemi će se smanjiti ako se uređaj redovno čisti.



OPASNOST:

Isključite proizvod iz struje pre nego što započnete radove održavanja i čišćenje. Postoji opasnost od električnog udara!



OPASNOST:

Pre čišćenja sačekajte da se proizvod ohladi. Vruće površine mogu da prouzrokuju opekotine!

- Temeljno očistite uređaj posle svake upotrebe. Na taj način će biti moguće lakše ukloniti ostatke od kuvanja i izbeći njihovo obgorevanje pri sledećoj upotrebi uređaja.
- Za čišćenje nisu potrebna specijalna sredstva za čišćenje. Koristite toplu vodu i tečnost za pranje, meku tkaninu ili sunđer za čišćenje uređaja i obrišite ga suvom tkaninom.
- Uvek se pobrinite da višak tečnosti nakon čišćenja bude temeljno obrisan i prosipana tečnost odmah uklonjena brisanjem.
- Nemojte koristiti sredstva za čišćenje koja sadrže kiselinu ili hlorid za čišćenje nerđajućih ili inox površina i ručice. Koristite mekanu tkaninu sa tečnim deterdžentom (ne abrazivnim) za brisanje tih delova, vodeći računa da brišete u jednom smeru.



Prilikom upotrebe nekih deterdženata ili sredstava za čišćenje mogla bi da se ošteti površina.

Ne koristite agresivne deterdžente, praškove/tečnosti za čišćenje ili oštre predmete tokom čišćenja.



Ne koristite paročištače za čišćenje uređaja da ne biste izazvali električni udar.

Očistite ploču za kuvanje.

Staklokeramičke površine

Obrišite staklokeramičku površinu komadom tkanine navlažene hladnom vodom tako da na njoj ne ostane sredstvo za čišćenje. Osušite je mekom i suvom tkaninom. Ostaci mogu oštetiti staklokeramičku površinu prilikom sledećeg korišćenja ploče za kuvanje.

Osušene ostatke na staklokeramičkoj površini ne bi nikako trebalo strugati noževima, čeličnom vunom ili sličnim alatima.

Uklonite tragove kamenca (žute mrlje) malom količinom sredstva za skidanje kamenca kao što je sirće ili sok od limuna. Možete koristiti i odgovarajuće komercijalne proizvode koji su dostupni.

Ako je površina jako zaprljana, nanesite sredstvo za čišćenje na sunđer i sačekajte da dobro upije. Zatim vlažnom tkaninom očistite površinu ploče za kuvanje.



Slatka hrana, kao što su kremovi i sirupi, mora se odmah očistiti i ne sme se čekati da se površina ohladi. U suprotnom, može doći do trajnog oštećenja staklokeramičke površine.

Vremenom može doći do blagog bleđenja boje na zaštitnom sloju i drugim površinama. Ovo neće uticati na rad uređaja.

Bleđenje boje i mrlje na staklokeramičkoj površini su normalna pojava, a ne oštećenje.

Čišćenje komandne table

Komandnu tablu i obrtnu dugmad očistite vlažnom krpom i osušite brisanjem.



Ne uklanjajte komandne tastere / dugmad radi čišćenja komandne table.

Komandna tabla može da se ošteti!

Čišćenje rerne

Čišćenje vrata rerne

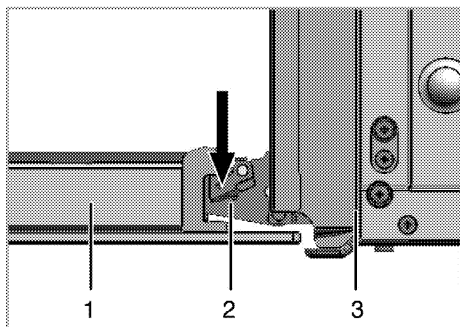
Za čišćenje vrata rerne, koristite toplu vodu i tečnost za pranje, meku tkaninu ili sunđer za čišćenje uređaja i obrišite ga suvom tkaninom.



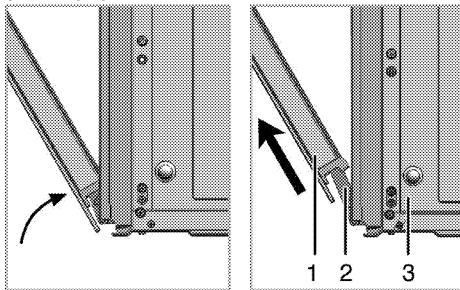
Ne koristite oštra sredstva za čišćenje ili tvrde metalne strugače za čišćenje vrata rerne. Oni mogu da izgrebu površinu i unište staklo.

Skidanje vrata rerne

1. Otvorite prednja vrata (1).
2. Otvorite stezaljke na kućištu šarke (2) sa desne i leve strane prednjih vrata tako što ćete ih pritisnuti nadole, kao što je ilustrovano na slici.



- 1 Prednja vrata
- 2 Šarka
- 3 Rerna



- 3. Prednja vrata pomerite do pola.
- 4. Skinite prednja vrata tako što ćete ih povući prema napred kako bi se oslobodila iz leve i desne šarke.

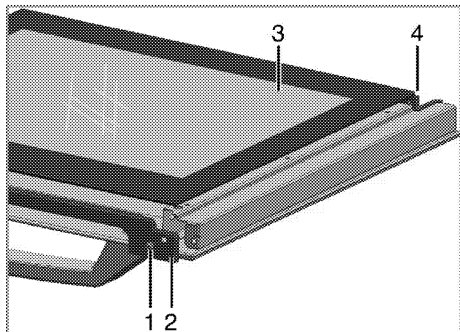


Korake načinjene prilikom procesa skidanja treba ponoviti obrnutim redosledom da bi se instalirala vrata. Ne zaboravite da zatvorite stezaljke na kućištu šarke kada ponovo nameštate vrata.

Skidanje unutrašnjeg stakla na vratima

Unutrašnja staklena ploča u vratima rerne može da se izvadi radi čišćenja.

- 1. Otvorite vrata rerne.



- 1 Zavrtanj

- 2 Profil
 - 3 Unutrašnja staklena ploča
 - 4 Plastični žleb
- 2. Uklonite zavrtnanj(1) pomoću odvijača
 - 3. Skinite profil (2), a zatim podignite unutrašnje staklo (3).
 - 4. Zatim ponovo sastavite vrata, postavite staklenu ploču (3) u plastične žlebove (4) i sastavite profil.

Zamena sijalice u rerni



OPASNOST:

Pre zamene sijalice u rerni uverite se da je proizvod isključen iz struje i ohlađen radi izbegavanja opasnosti od električnog udara. Vruće površine mogu da prouzrokuju opekotine!



Sijalica u rerni je specijalna električna sijalica koja je otporna na temperature do 300 °C. Pogledajte *Tehničke specifikacije, strana 11* za više detalja. Sijalice za rernu možete nabaviti kod ovlašćenih serviserata.



Položaj sijalice može da se razlikuje od položaja na slici.



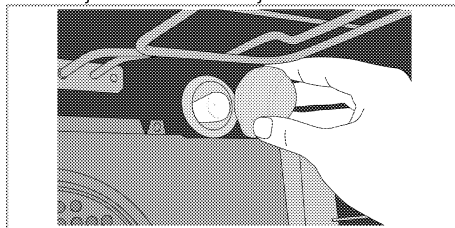
Lampa koja se koristi u ovom uređaju nije prikladna za osvetljavanje prostorije u domaćinstvu. Namena ove lampe je da pomogne korisniku da vidi hranu.



Lampe u ovom uređaju moraju da izdržavaju ekstremne fizičke uslove, kao što su temperature preko 50 °C.

Ako vaša rerna ima okruglu sijalicu:

- 1. Isključite proizvod iz struje.
- 2. Stakleni poklopac okrećite suprotno smeru kazaljke na satu da biste je uklonili.



- 3. Uklonite sijalicu rerne okrećući je suprotno smeru kretanja kazaljke na satu i zamenite je novom.
- 4. Namestite stakleni poklopac.

8 Otklanjanje kvarova

Rerna može da ispušta paru za vreme upotrebe.

- Normalno je da se u toku rada javlja para. >>> *To nije kvar.*

Proizvod emituje metalni zvuk (buka) tokom grejanja i hlađenja.

- Kada se zagrevaju metalni delovi, može doći do njihovog širenja i izvešnog šuma. >>> *To nije kvar.*

Proizvod ne radi.

- Osigurač napajanja je pregoreo ili je reagovao. >>> *Proverite osigurače u kutiji sa osiguračima. Ako je potrebno, zamenite ih ili ih resetujte.*
- Proizvod nije priključen na (uzemljenu) utičnicu. >>> *Proverite utikač.*

Sijalica u rerni ne radi.

- Sijalica u rerni je u kvaru. >>> *Zamenite sijalicu u rerni.*
- Nema struje. >>> *Proverite da li ima struje. Proverite osigurače u kutiji sa osiguračima. Ako je potrebno, zamenite ih ili ih resetujte.*

Rerna ne greje.

- Funkcija i/ili temperatura nisu podešeni. >>> *Podesite funkciju i temperaturu pomoću obrtnog dugmeta/tastera za izbor funkcije i/ili temperature.*
- Kod modela opremljenim tajmerom, tajmer nije podešen. >>> *Podesite vreme.* (Kod proizvoda sa mikrotalasnom rernom, tajmer kontroliše samo mikrotalasnu rernu.)
- Nema struje. >>> *Proverite da li ima struje. Proverite osigurače u kutiji sa osiguračima. Ako je potrebno, zamenite ih ili ih resetujte.*

(Kod modela sa tajmerom) Displej sata trepće ili prikazuje simbol sata.

- Nestajala je struja. >>> *Podesite vreme / isključite i ponovo uključite proizvod.*



Posavetujte se sa ovlašćenim serviserom ili distributerom na mestu kupovine proizvoda ukoliko ne možete da rešite problem i pored primene navedenih uputstava. Nikad ne pokušavajte sami da popravite neispravan proizvod.

