



Heavy-duty chilled vertical cabinet

Chłodzona szafa pionowa do cięższych zastosowań

Svislá chlazená skříňka pro náročné používání

Chladený vertikálny priestor na náročné použitie

Nagy teljesítményű hűtött függőleges szekrény

Frigorifer vertikal për punë të rënda

WSA29000

WARNING!

In order to ensure a normal operation of your refrigerating appliance, which uses a completely environmentally friendly refrigerant the R600a (flammable only under certain conditions) you must observe the following rules:

- Do not hinder the free circulation of the air around the appliance.
- Do not use mechanical devices in order to accelerate the defrosting, others than the ones recommended by the manufacturer.
- Do not destroy the refrigerating circuit.
- Do not use electric appliances inside the food keeping compartment, other than those that might have been recommended by the manufacturer.

UWAGA!

Aby zapewnić normalną pracę tej, wykorzystującej całkowicie przyjazny środowisku (łatwopalny tylko w pewnych warunkach) środek chłodniczy R600a, chłodziarko-zamrażarki, należy przestrzegać następujących zasad:

- Nie należy blokować swobodnego przepływu powietrza wokół chłodziarko-zamrażarki.
- W celu przyspieszenia rozmrażania nie należy używać żadnych innych urządzeń mechanicznych niż zalecane przez producenta.
- Nie wolno uszkodzić obwodu chłodniczego.
- Wewnątrz komory przechowywania żywności nie należy używać żadnych innych urządzeń elektrycznych niż ewentualnie zalecanych przez producenta.

UPOZORNĚNÍ!

Aby byl zajištěn normální provoz vaší chladničky, která používá pro životní prostředí zcela neškodné chladicí médium R600a (vznětlivé pouze za určitých podmínek), musíte dodržet následující pravidla:

- Nebráňte ve volné cirkulaci vzduchu kolem přístroje.
- Nepoužívejte mechanická zařízení pro zrychlení odmražení kromě těch, která jsou doporučena výrobcem.
- Nelikvidujte chladicí okruh.
- Nepoužívejte elektrické spotřebiče uvnitř prostoru pro potraviny kromě těch, která by mohl doporučit výrobce.

VAROVANIE!

Aby sa zabezpečila normálna prevádzka vašej chladničky, ktorá používa úplne ekologicky nezávadné chladivo R600a (horľavé len pri určitých podmienkach), musíte dodržiavať nasledujúce pravidlá:

- Nebráňte voľnej cirkulácii vzduchu okolo spotrebiča.
- Nepoužívajte mechanické prístroje na urýchľovanie rozmrazovacieho procesu, iné ako odporúča výrobca.
- Neporušujte chladiaci okruh.
- Nepoužívajte elektrické spotrebiče vo vnútri pípacieho priestoru potravín, iné ako tie, ktoré odporúča výrobca.

FIGYELMEZTETÉS!

AzI, R600a (csak bizonyos körülmények között gyúlékony) teljesen környezetberát gázzal működő hűtőberendezés normális működésének eléréséhez, kövesse a következő szabályokat:

- Ne gátolja a levegő keringését a készülék körül!
- Ne használjon más mechanikus eszközöket a gyorsabb felolvasztás érdekében, mint amit a gyártó ajánl!
- Ne szakítsa meg a hűtőközeg keringésrendszerét!
- Ne használjon más elektromos eszközöket a mélyfagyasztó részben, mint amiket a gyártó javasolhat!

PARALAJMËRIM!

Për të siguruar një përdorim normal të frigoriferit tuaj, që përdor një mjet ftohës plotësisht ekologjik, R600a (i ndezshëm vetëm në kushte të veçanta), duhet të ndiqni rregullat vijuese:

- Mos pengoni qarkullimin e lirë të ajrit përreth aparatit.
- Mos përdorni sende mekanike që nuk janë rekomanduara nga prodhuesi, për ta përsheptuar shkrijen e akullit.
- Mos e prishni qarkun ftohës.
- Mos përdorni aparate elektrike të përekomanduara nga prodhuesi brenda dhomës për mbajtjen e ushqimeve.

EN Index

Advice for the recycling of your old refrigerating appliance /2
Packing recycling /2
Transport instructions /2
Installation /3
Mains connection /3
Starting the appliance /3
Temperature adjustment /4
Appliance description /4
Replacing the interior lamp /4
Repositioning the door /4
The appliance defrosting /4
Cleaning and care /4-5
Trouble - shooting guide /5

PL Spis treści

Porady jak zutilizować twoją starą lodówkę /7
Utylizacja opakowania /7
Transport urządzenia /7
Bezpieczeństwo i porady /7
Instalacja /8
Podłączenie do sieci elektrycznej /8
Uruchomienie urządzenia /8
Ustawianie temperatury /9
Opis urządzenia /9
Wymiana żarówki oświetlenia wewnętrznego /9
Przekładanie drzwi /9
Rozmrażanie urządzenia /9
Czyszczenie i konserwacja /9
Możliwe usterki /10
Gwarancja jakości /11

CZ Index

Rady pro recyklaci vaší staré chladničky /13
Recyklace obalu /13
Pokyny pro transport /13
Bezpečnostní opatření a obecné rady /13
Instalace /14
Zapojení do sítě /14
Zapnutí spotřebiče /14
Nastavení teploty /15
Popis spotřebiče /15
Výměna vnitřní lampy /15
Výměna dvířek /15
Odmražení spotřebiče /15
Čištění a péče /15
Návod na odstraňování potíží /16

SK Index

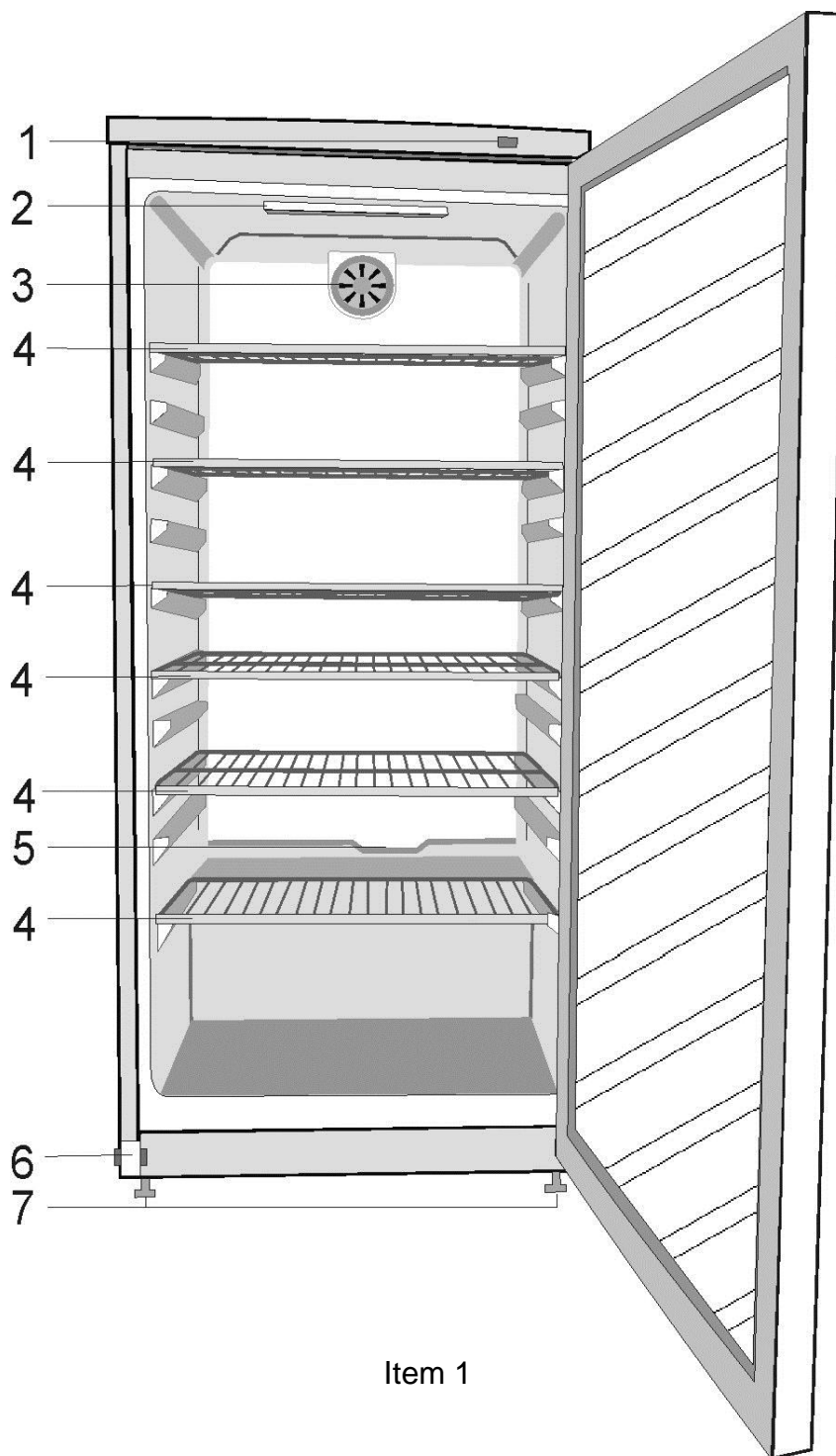
Poučenie o recyklácii vašej starej chladničky /18
Recyklačný obal /18
Inštrukcie o preprave /18
Bezpečnostné opatrenia a základné rady /18
Inštalácia /19
Sieťové pripojenie /19
Spustenie spotrebiča /19
Regulácia teploty /20
Popis spotrebiča /20
Výmena interiérovej lampy /20
Premiestňovanie dverí /20
Používanie odmrazovania /20
Čistenie a údržba /20
Poradca hľadania chýb /21

HU Tárgymutató

Tanácsok régi fagyasztójának újrahasznosításához /23
Csomagolás újrahasznosítás /23
Szállítási utasítások /23
Biztonsági intézkedések és általános információk /23
Beüzemelés /24
Fő csatlakozás /24
Készülék beindítása /24
Hőmérséklet beállítása /25
Készülék leírás /25
Belső lámpa cseréje /25
Ajtó áthelyezése /25
Készülék leolvasztása /25
Tisztítás és védelem /25
Zavarelhárítási útmutató /26

AL Indeks

Këshilla për riciklimin e frigoriferit tuaj të vjetër /28
Riciklimi i ambalazhit /28
Udhëzime transporti /28
Instalimi /29
Lidhja elektrike /29
Ndezja e pajisjes /29
Rregullimi i temperaturës /30
Përshkrimi i aparatit /30
Ndërrimi i llambës të brendshme /30
Ripozicionimi i derës /30
Shkrirja e pajisjes /30
Pastrimi dhe kujdesi /30
Udhzime për zgjidhjen e problemeve /31



Item 1

❗ Figures that take place in this instruction manual are schematic and may not correspond exactly with your product. If the subject parts are not included in the product you have purchased, then it is valid for other models.

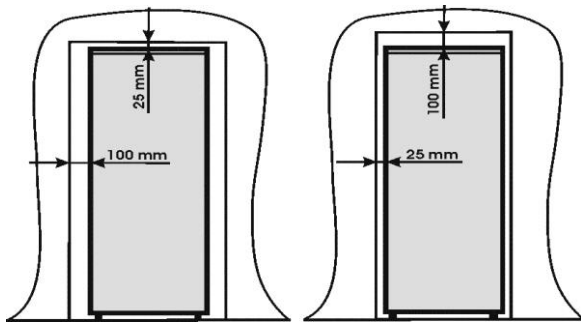
❗ Rysunki w niniejszej instrukcji to tylko schematy i nie muszą ściśle odpowiadać Waszemu modelowi lodówki. Jeśli pewnych części nie ma w nabytej chłodziarce, to znaczy, że odnoszą się do innych modeli.

❗ Obrázky uvedené v tomto návodu k použití jsou schematické a nemusejí přesně korespondovat s vaším výrobkem. Pokud zobrazené části nejsou obsaženy v produktu, který jste zakoupili, jde o součásti jiných modelů.

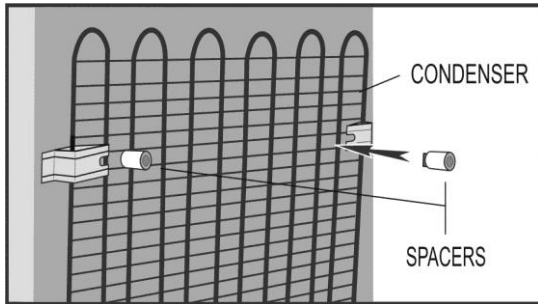
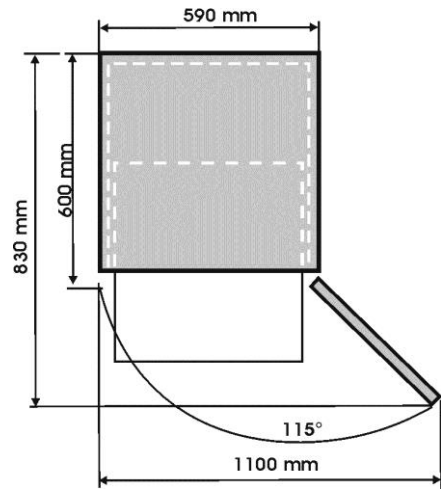
❗ Obrázky v tejto príručke k obsluhu sú schematické a nemusia sa presne zhodovať s vaším produktom. Ak produkt, ktorý ste si zakúpili, nedisponuje uvádzanými časťami, potom sa to týka iných modelov.

❗ A használati útmutatóban található képek szemléltető jellegűek, nem a valódi terméket ábrázolják. Amennyiben olyan részeket talál, melyek nem találhatók meg, az Ön által megvásárolt termékben, akkor azok más modellekre vonatkoznak.

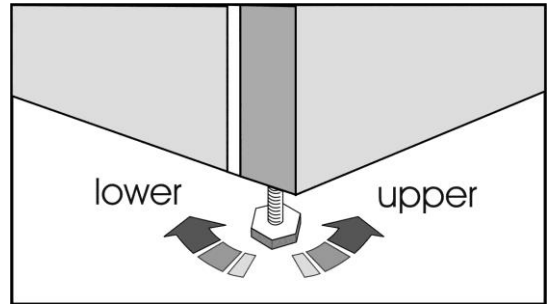
❗ Figurat që ndodhen në këtë manual janë skematike dhe mund të mos korrespondojnë saktësisht me produktin tuaj. Nëse pjesët e subjektit nuk janë përfshirë në produktin që keni blerë atëherë janë të vlefshme për modele të tjera.



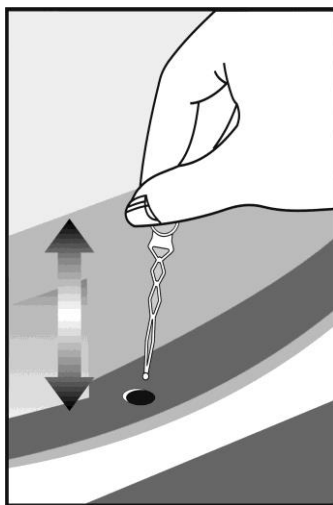
Item 2



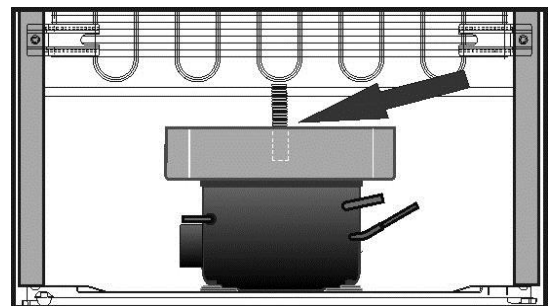
Item 3



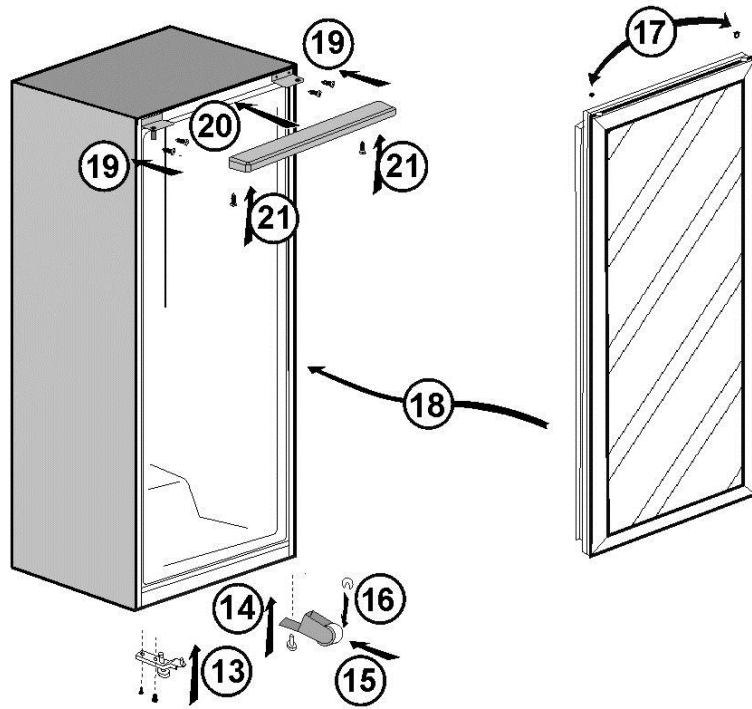
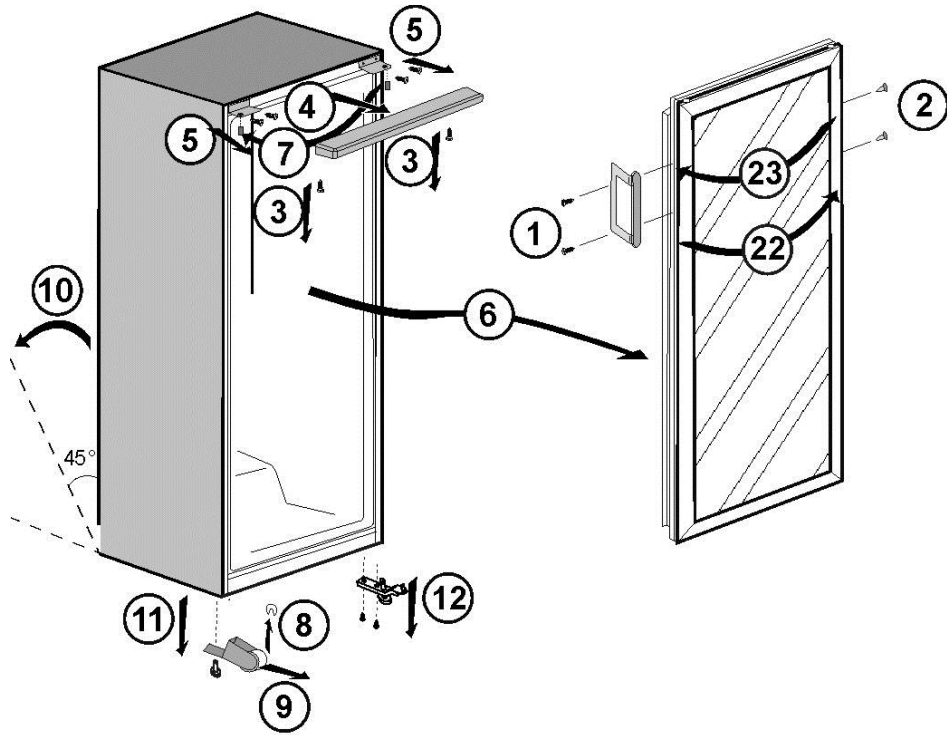
Item 4



Item 5



Item 6



Item 7

Congratulations on your choice of a **BEKO** Quality Appliance, designed to give you many years of service.

The „Heavy-duty chilled vertical cabinet” are appliances for the cooling of beverages and for preserving the fresh food.

They are provided with transparent door made of safety glass.

It has a new and attractive design and it's manufactured according to the international rules, which guarantee you the working and safety capacities.

To use your show-window refrigerator in the best conditions, please read carefully these usage instructions.

Original Spare parts will be provided for 10 years, following the product purchasing date.

This appliance is not intended for use by person with reduced physical, sensory or mental capabilities or lack of experience and knowledge unless they have been given supervision or instruction concerning use of the appliance by a person responsible for their safety. Children should be supervised to ensure that they do not play with the appliance.

This is not a household product, this is a commercial product for professional use.

Advice for the recycling of your old refrigerating appliance

If the „Heavy-duty chilled vertical cabinet“ replaces an older one, you should comply with some things.

The old appliances aren't valueless wastes. Their removal according to ambient environment allows the recovering of some important raw materials.

How you can do the old appliance to be disposed:

- disconnect the unit from the power supply,
- remove the supply cable (cut off),
- remove the possible locks on the door in order to avoid the children to be blocked inside when playing and their life to be in danger.

The refrigerators and freezers contain insulating materials and refrigerating agents that require an adequate recycling.

Packing recycling

Warning !

- Don't let the children play with the packing or with some parts of it. There is the risk of suffocation with pieces of the folded cardboard and plastic sheet.
- In order to be received in good conditions, the appliance was protected with an adequate packing. All materials of the wrap are according to the environment and they can be recycled. Please help us to recycle the packing in accordance with the environment !

Important !

Read carefully and entirely all these instructions before the starting up of the appliance. These instructions contain important information regarding to the installation, using and maintenance of the appliance.

The manufacturer will not be responsible if these instructions are not accordingly complied with the manual. Keep this manual into a safe place in order to easy consult it if necessary. Furthermore, it could be useful for another user.

Warning !

This appliance should be used only for the purpose for which it was manufactured, in adequate spaces, kept away from the rain, humidity or other atmospheric factors.

Transport instructions

The appliance must be transported only in vertical position. The packing must be intact during the transport. Before plugging in the appliance, let it rest at least 4 hours.

If these instructions are not complied with, can result in the motorcompressor failure and the appliance could be took out from the guarantee.

Safety measures and general advice

If you observed any failure please do not put the appliance into operation.

- ◆ Do not leave the doors open more than it is necessary to take out and to put inside the food.
- ◆ Do not keep inside products containing flammable or explosive gases.
- ◆ Do not let the children play or hide in the appliance.
- ◆ Before any cleaning operation, unplug the appliance.

To unplug the appliance, pull the plug, not the cable!

- ◆ Do not climb on the appliance, do not lean on the door, shelves.
- ◆ Don't use the appliance near the heaters, cooking machines or other heat sources.
- ◆ In order to prevent any possibility of damage or accident, do not put on the appliance (top) any instable objects containing liquids or fire sources (flower vases, flower pots, candles, lamps, etc).
- ◆ Do not leave the food in the appliance if it is not working.

♦ It is not recommended to stop the appliance if you will not use it for a few days. If you don't use it for a longer period, please proceed as follows:

- unplug the appliance;
- empty the refrigerator and the freezer;
- defrost and clean the appliance;
- let the doors open in order to avoid the unpleasant odors.
- ♦ If the supply cord is damaged, it must be replaced by the manufacturer, its service agent or similarly qualified persons in order to avoid a hazard.

Installation

♦ This appliance is intended for use in ambient temperatures up to 30 °C and humidity %55, Climate class 4 (according with Reg EU 1095-2005) , which should be kept relatively constant. Assemble the appliance far from any heat source. Assemble the appliance far from any heat source. Placing the appliance in a warm room, exposing it directly to sunshine or placing it near a heat source (heaters, cookers, ovens) results in energy consumption increase and reduce the life of the appliance.

- ♦ Please observe the following minimal distances:
 - 100 cm from the cookers with coal or petrol;
 - 150 cm from the electric and/or gas cookers
 Provide free air circulation around the appliance, by observing the distances mentioned in the drawings **(Items 2)**.
- ♦ Put the back airing lid to the back of your refrigerator to set the distance between the refrigerator and the wall **(Item 3)**.
- ♦ Place the appliance in a dry and well ventilated place, perfectly even, adjusting the front feet if necessary **(Item 4)**.

♦ Any “suspended” furniture will be assembled at a minimum distance of 10 cm above the appliance. The same distance will be also provided in case of a niche or another construction element.

- ♦ The appliance is not made to be built in the furniture.
- ♦ Please assemble the accessories.

Mains connection

Your appliance is designed to work at a mono-phase voltage of 220-240V, 50Hz. Before connecting the appliance to the mains, be sure that the mains parameters of your house (voltage, current type, and frequency) are according to the working parameters of the appliance.

- ♦ The information concerning the supply tension and absorbed power are given in the marking label, placed inside on the side, which can be seen after drawing the crisper.
- ♦ The electric installation must be done according to the law requirements.
- ♦ The manufacturer is not responsible for the eventual problems occurred to persons, animals or property due to the non-observance of the above-mentioned conditions.
- ♦ The appliance has a supply cable and a plug (European type, marked 10/16A), with double earthing. If the plug is not the same type as the socket, ask a specialised electrician to change it.
- ♦ Do not use adaptors.

Starting the appliance

Before starting the appliance, clean the inside of the appliance. (See “Cleaning and care”). After doing this, connect the appliance to the mains. Adjust the thermostat buttons on an average position.

For inside lighting, adjust a button of the signalling block on medium position . Leave the appliance operate abt. 2 hours without placing inside any beverages or food inside.

Temperature adjustment

The internal temperature could be adjusted by means of the button from the thermostat.

The temperatures obtained inside the appliance could oscillate depending on the usage conditions: location, environmental temperature, doors opening frequency, foods quantity. Position of thermostat button will change depending on these conditions.

Generally, for an environmental temperature of 30°C, thermostat button will be settled on a medium position. This position can be adjusted subsequently towards plus or minus according to the user's wish

The thermostat (placed in the rear side of the appliance, in the ventilation grill) also assures the automatic defrost of the refrigerator.

During the defrost period the temperature inside the refrigerator could reach up to +12°C, but it decreases up to 2-3°C.

Avoid some positions of thermostat button that could involve a continuously running of the appliance.

Appliance description (Item 1)

- 1 - Lamp switch
- 2 - Lamp box - inside lighting
- 3 - Fan
- 4 - Grids
- 5 - Water collector
- 6 - Door support roller
- 7 - Adjustable foot

Replacing the interior lamp

To change the Bulb/LED used for illumination of your refrigerator, call your Authorised Service.

The lamp(s) used in this appliance is not suitable for household room illumination. The intended purpose of this lamp is to assist the user to place foodstuffs in the refrigerator/freezer in a safe and comfortable way.

The lamps used in this appliance have to withstand extreme physical conditions such as temperatures below -20°C.

Repositioning the door

The door of your „Heavy-duty chilled vertical cabinet” is designed to operate towards both sides at your convenience. If you want the door to open towards the other side, please call the nearest authorized maintenance service for assistance.

Proceed in numerical order **(Item 7)**.

The appliance defrosting

The defrosting is fully automatic and takes place at pre-set periods. It is not necessary any intervention from you.

The resulted water is collected in a drip pan located on the compressor. The water evaporates there because of the heat issued during its working **(Item 5)**.

Important !

Keep clean the collector and draining hose for the water flow resulted after defrosting. To do so, use the supplied trench part. Check the hose to be permanently with the end inside the drip tray on the compressor in order to prevent the water flow above the electric wiring or on the floor **(Item 6)**.

Cleaning and care

1. We recommend that you switch off the appliance at the socket outlet and pull out the mains plug before cleaning.
2. Never use any sharp instruments or abrasive substances, soap, household cleaner, detergent or wax polish for cleaning.
3. Use luke warm water to clean the cabinet of the appliance and wipe it dry.
4. Use a damp cloth wrung out in a solution of one teaspoon of bicarbonate of soda to one pint of water to clean the interior and wipe it dry.
5. Make sure that no water enters the temperature control box and lamp box.
6. We recommend that you polish the metal parts of the product (i.e. door exterior, cabinet slides) with a silicone wax (car polish) to protect the high quality paint finish.
7. Check door seals regularly to ensure they are clean and free from food particles.

8. Never :

- Clean the appliance with unsuitable material; eg petroleum based products.
- Subject it to high temperatures in any way,
- Scour, rub etc., with abrasive material.

Never use gasoline or similar materials for cleaning purposes.

9. Clean the outside part of the refrigerating circuit (compressor, condenser, connection, tubes) by a soft brush or by the vacuum-cleaner. During this operation, please take care not to distort the tubes or to remove the cables.

10. When you finish the cleaning arrange the accessories at their place and connect the appliance to the mains.

Trouble-shooting guide

Appliance does not work

- ◆ There is an energy cut-off.
- ◆ The plug of the supply cord is not well inserted in the socket.
- ◆ The fuse is blown.
- ◆ The thermostat is on position Stop (O).

The appliance does not cool

- ◆ There was an energy cut-off for a longer period of time.
- ◆ Fresh food was introduced to be frozen.
- ◆ The appliance was not placed correctly.
- ◆ The appliance is too near of a heat source.
- ◆ The thermostat button is not on the correct position.
- ◆ Ambient temperature is too high.

The inside lighting does not work when the compressor is running

- ◆ The lamp is blown. Unplug the appliance, take out the lamp and replace it with another and assemble.
- ◆ The switch is on off position or out of order.
- ◆ The switch is not acted.

The appliance is too noisy

- ◆ The appliance was not installed properly.
- ◆ The back pipes are touching or vibrating. There is a contact between the bottles or other vessels inside.

There is water on the inside of the cabinet linear.


- ◆ The water drainage channel is clogged.

If you followed the above-mentioned information and did not succeed to find the failure, please contact the Service.

Warning!

Do not attempt at any time to repair the appliance or its electric components yourself. Any repair done by an unskilled person is dangerous for the user and can lead to warranty loss.



The symbol  on the product or on packaging indicates that this product may not be treated as household waste. Instead it shall be handed over to the applicable collection point for the recycling of electrical and electronic equipment. By ensuring this product is disposed of correctly, you will help prevent potential negative consequences for the environment and human health, which could otherwise be caused by inappropriate waste handling of this product. For more detailed information about recycling of this product, please contact your local city office, your household waste disposal service or the shop where you purchased the product.

Gratulujemy Państwu wyboru naszego produktu, który z pewnością dobrze będzie Państwu służył przez wiele lat.

Lodówka z witryną przeznaczona jest do chłodzenia napojów i przechowywania świeżego pożywienia. Przezroczyste drzwi zostały wykonane ze sprawdzonego, bezpiecznego szkła.

Jest to nowa i bardzo atrakcyjna konstrukcja, wyprodukowana zgodnie z międzynarodowymi normami, która gwarantuje niezawodną pracę i bezpieczne przechowywanie.

Aby zapewnić twojej lodówce z witryną najlepsze warunki pracy, przeczytaj uważnie tę instrukcję obsługi.

Oryginalne części zamienne będą dostępne przez 10 lat od daty zakupu produktu.

Używanie urządzenia przez osoby z fizycznymi sensorycznymi lub mentalnymi ograniczeniami powinno odbywać się tylko pod kontrolą osób odpowiedzialnych za ich bezpieczeństwo. Należy dopilnować, aby dzieci nie używały urządzenia do zabawy.

To nie jest produkt gospodarstwa domowego, jest to komercyjny produkt do profesjonalnego użytku.

Porady jak zutylizować Twoją starą

lodówkę

Jeśli twoja lodówka z oknem ma zastąpić starą powinieneś zastosować się do kilku zaleceń:

Twoja stara lodówka nie jest bezwartościowym odpadem. Usunięcie jej z uwzględnieniem otaczającego nas środowiska pozwoli na odzyskanie niektórych materiałów. Jak zrobić, by stara lodówka jeszcze się do czegoś przydała?

- odłącz urządzenie od sieci elektrycznej
- usuń kabel elektryczny (obetnij go)
- usuń lub zniszcz zatrzaski i zamki. W ten sposób zapobiegiesz możliwości zatrzaśnięcia się w środku bawiących się dzieci. Gdyby tak się stało, mogłoby to zagrazać ich życiu.

Lodówki i zamrażarki używają czynnika chłodzącego, co wymaga specjalnych metod recyklingu.

Utylizacja opakowania

UWAGA !

- Nie pozwalaj bawić się dzieciom opakowaniem ani żadnymi jego elementami. Istnieje ryzyko pokaleczenia się o tekturę i części plastikowe.

- Aby urządzenie przetransportować w dobrym stanie zaprojektowano specjalne opakowanie. Wszystkie elementy, w które opakowano urządzenie nadają się do recyklingu. Bardzo prosimy o pomoc w odzyskiwaniu tych materiałów, po to by nie cierpiało na tym nasze środowisko.

Ważne !

Prosimy dokładnie zapoznać się z instrukcją obsługi. Zawiera ona bardzo ważne informacje jak używać twojego nowego urządzenia. Jeśli instrukcja nie będzie przestrzegana, możesz stracić prawo do naprawy gwarancyjnej. Prosimy zachowaj tę instrukcję w bezpiecznym miejscu, tak byś zawsze mógł do niej zajrzeć, a gdy będziesz sprzedawał urządzenie przekaż ją następnemu nabywcy.

Uwaga !

Urządzenie może być używane tylko zgodnie z przeznaczeniem, np. do przechowywania pożywienia. Nie zalecamy używania urządzenia w nieogrzewanych pomieszczeniach takich jak np. garaż, przybudówka, szopa czy na zewnątrz. Patrz "ustawienie urządzenia".

Transport urządzenia

Urządzenie może być transportowane tylko w pozycji pionowej. Opakowanie w czasie transportu powinno pozostać w stanie nienaruszonym. Zanim lodówkę podłączysz do prądu pozostaw ją, na co najmniej 4 godzin w pomieszczeniu, w którym zamierzasz jej używać.

Bezpieczeństwo i porady

Jeśli te warunki nie zostaną spełnione, kompresor może nie zadziałać, a lodówka utraci gwarancję.

- jeśli zauważysz usterkę nie podłączaj urządzenia
- nie zostawiaj otwartych drzwi dłużej niż jest to absolutnie niezbędne
- nie przechowuj w lodówce wybuchowych ani łatwopalnych gazów
- nie pozwalaj dzieciom bawić się lodówką
- każdorazowo, przed czyszczeniem urządzenia odłącz je od sieci

Aby odłączyć lodówkę od sieci, ciągnij za wtyczkę a nie za kabel!

- nie wchodź na lodówkę, nie wieszaj się na drzwiach ani półkach
- nie używaj lodówki obok grzejników, kuchenek ani żadnych innych źródeł ciepła
- z uwagi na niebezpieczeństwo uszkodzeń lub wypadków nie stawiaj na lodówce żadnych chwiejnych przedmiotów z płynami lub przedmiotami łatwopalnymi (np. wazon z kwiatami, doniczki, świece, lampy itp.)
- nie zostawiaj jedzenia w lodówce, gdy urządzenie nie pracuje

- nie zalecamy wyłączenia lodówki, jeśli nie będziesz jej używał przez kilka dni. Jeśli nie będziesz używał jej przez dłuższy okres czasu postępuj następująco:

- odłącz urządzenie od sieci
- opróżnij lodówkę i zamrażalnik
- rozmroź i wyczyść lodówkę
- pozostaw drzwi otwarte, aby zapobiec powstawaniu nieprzyjemnych zapachów
- w razie uszkodzenia przewodu zasilającego, aby uniknąć niebezpieczeństwa, musi go wymienić producent, jego agent serwisowy lub podobnie wykwalifikowany personel.

Instalacja

- Urządzenie jest przeznaczone do stosowania w temperaturze otoczenia do 30°C i wilgotności do 55%, klasa klimatyczna 4 (zgodnie z rozporządzeniem 1095/2005/WE). Parametry te należy utrzymywać na względnie stałym poziomie. Urządzenie należy montować z dala od źródeł ciepła. Umieszczenie lodówki w gorącym pomieszczeniu, wystawienie jej na bezpośrednie działanie promieni słonecznych lub ustawienie w pobliżu źródeł ciepła (np. grzejników, kuchenek, piekarników, itp.) może spowodować wzrost zużycia energii i znacząco skrócić żywotność urządzenia.
- Ustawiając lodówkę przestrzegaj minimalnych odległości:
 - 100 cm od kuchenek na węgiel lub olej;
 - 150 cm od kuchenek elektrycznych i gazowych.
- Zapewnij swobodną cyrkulację powietrza wokół urządzenia, zachowując odległości wskazane na rysunku (**Rys. 2**). Zamontuj kołki dystansowe z tyłu lodówki, aby zapewnić minimalny odstęp między urządzeniem a ścianą (**Rys. 3**).
- Ustaw lodówkę w suchym i dobrze wentylowanym pomieszczeniu. W prawidłowym ustawieniu urządzenia pomogą regulowane przednie nóżki (**Rys. 4**).
- Wszelkie wiszące szafki powinny znajdować się minimum 10 cm nad lodówką. Ta sama odległość powinna być zachowana między w przypadku ustawienia lodówki we wnęce.
- Urządzenie nie jest przeznaczone do zabudowy.
- Umieść wszystkie akcesoria.

Podłączenie do sieci elektrycznej

Twoje urządzenie zostało przygotowane do pracy z prądem jednofazowym, o napięciu 220-240V i częstotliwości 50Hz.

Przed podłączeniem urządzenia do prądu, upewnij się, że parametry instalacji elektrycznej (napięcie, typ i częstotliwość) w twoim domu odpowiadają parametrom pracy urządzenia.

- informacje dotyczące parametrów zasilania umieszczone są na tabliczce znamionowej umieszczonej w środku urządzenia. Aby je odczytać należy wysunąć pojemnik na owoce i warzywa.
- Instalacja elektryczna musi odpowiadać regulacjom prawnym.
- Producent nie odpowiada za ewentualne szkody na ludziach, zwierzętach lub przedmiotach, powstałe w wyniku niedopełnienia podanych w tej instrukcji warunków.
- Urządzenie zostało wyposażone w kabel zasilający z wtyczką (typ europejski, o symbolu 10/16A), z podwójnym uziemieniem. Jeśli wtyczka nie pasuje do gniazdka, poproś wykwalifikowanego elektryka o wymianę.
- Nie używaj złącz pośrednich, przedłużaczy ani rozgałęziaczy.

Uruchamianie urządzenia

Zanim uruchomisz lodówkę, umyj ją w środku (patrz "czyszczenie i konserwacja").

Po wykonaniu tej czynności podłącz lodówkę do prądu. Ustaw termostat w pozycji pośredniej. Aby uruchomić oświetlenie na ustaw przełącznik na panelu sygnalizacyjnym w pozycji środkowej.

Pozostaw pracujące urządzenie na około 2 godziny bez wkładania do środka żadnych napojów ani jedzenia.

Ustawianie temperatury

Temperatura wewnątrz lodówki może być ustawiana za pomocą głównego regulatora na termostacie. Temperatury wewnątrz lodówki uzależniona jest od wielu czynników zewnętrznych takich jak: usytuowanie, temperatura na zewnątrz, częstotliwość otwierania drzwi, rodzaju umieszczonych wewnątrz produktów. Pozycja regulatora termostatu, będzie się zmieniała w zależności od tych warunków. Generalnie, dla temperatury zewnętrznej 30°C regulator będzie ustawiony na pozycję środkową. Ta pozycja później może być zmieniona na plus lub minus w zależności od potrzeb użytkownika.

Termostat (umieszczony z tyłu urządzenia) również czuwa nad automatycznym rozmrażaniem lodówki. W czasie rozmrażania temperatura wewnątrz lodówki może osiągnąć 12°C, ale zostanie zredukowana do 2-3°C.

Opis urządzenia (Rys. 1)

1. Przełącznik światła
2. Lampa - oświetlenie wewnętrzne
3. Wentylator
4. Półki
5. Pojemnik na ściekającą wodę
6. Ogranicznik do drzwi
7. Regulowane nóżki

Wymiana żarówki oświetlenia wewnętrznego

Odłącz urządzenie od sieci, wyjmij żarówkę i wymień na nową. Ponownie zamontuj lampę. Lampa (lampy) wykorzystywane w tym urządzeniu nie są przeznaczone do oświetlania pomieszczeń. Lampa ta ma pomagać użytkownikowi wygodnie i bezpiecznie umieszczać pożywienie w lodówce/zamrażarce.

Żarówki używane w urządzeniu muszą wytrzymać ekstremalne warunki fizyczne, jak np. temperatury poniżej -20°C.

Zmiana stron otwierania drzwi

Drzwi do twojej lodówki zostały tak zaprojektowane, aby było możliwe otwieranie ich w obie strony. Jeśli chciałbyś, aby drzwi otwierały się w drugą stronę, zadzwoń do najbliższego autoryzowanego serwisu po pomoc.

Postępuj w kolejności pokazanej na **Rys. 7**.

Rozmrażanie lodówki

Rozmrażanie lodówki jest w pełni zautomatyzowane i nie wymaga żadnej interwencji z twojej strony.

Rozmrożona woda ścieka do pojemnika umieszczonego na kompresorze. Następnie woda odparowuje z uwagi na ciepło wydobywające się z pracującego kompresora (**Rys. 5**).

Ważne!

Utrzymuj w czystości kanaliki odpływowe, aby woda w czasie rozmrażania miała swobodny odpływ. Sprawdź czy rurka odpływowa jest szczelnie połączona z pojemnikiem na kompresorze. Zapobiegnie to ściekaniu wody ponad przewodami elektrycznymi na podłogę (**Rys. 6**).

Czyszczenie i konserwacja

1. Zalecamy, aby przed czyszczeniem odłączyć urządzenie wyciągając wtyczkę z gniazdka, lub wyłączyć bezpiecznik.
2. Do czyszczenia lodówki nigdy nie używaj ostrych narzędzi, substancji ścierających, mydła, detergentów ani wosków.
3. Do mycia z zewnątrz, użyj ciepłej wody a następnie wytrzyj do sucha.
4. Wnętrze lodówki przetrzyj wilgotną i wyciśniętą ściereczką. Użyj wody z dodatkiem sody oczyszczonej (łyżeczka sody na ok. pół litra wody). Następnie wytrzyj lodówkę do sucha.
5. Uważaj, aby woda nie dostała się do urządzenia sterującego temperaturą ani do lampki.
6. Aby zabezpieczyć lakier na częściach metalowych lodówki (np. zewnętrzne elementy drzwi, prowadnice) zalecamy czyszczenie ich pastą silikonową.

7. Regularnie sprawdzaj uszczelkę na drzwiach. Powinna być zawsze czysta.

8. Nigdy:

- Nie czyść lodówki nieodpowiednimi środkami, np. ropą lub środkami ropopochodnymi.
- W żaden sposób nie narażaj urządzenia na wysoką temperaturę.
- Nie szoruj, nie trzymaj lodówki materiałami ściernymi.

Nigdy do czyszczenia nie używaj benzyny ani żadnych materiałów pochodnych.

9. Zewnętrzne części układu chłodzenia (kompresor, kondensator, połączenia, rurki) należy czyścić miękkim pędzelkiem lub odkurzaczem. Podczas tych czynności należy zwracać uwagę, aby nie powykrzywiać rurek, ani nie powyrywać przewodów.

10. Gdy skończysz czyszczenie powkładaj akcesoria na swoje miejsce i podłącz lodówkę do prądu.

Możliwe usterki

Urządzenie nie działa

- Odłączone jest zasilanie.
- Wtyczka przewodu zasilającego jest niedokładnie włożona do gniazdka.
- Wyłączyły się bezpieczniki.
- Termostat jest w pozycji Stop (0).

Urządzenie nie chłodzi

- Zasilanie było odłączone na dłuższy czas.
- Świeże produkty wprowadzono do zamrożenia.
- Lodówka nie została dobrze ustawiona.
- Urządzenie stoi zbyt blisko źródła ciepła.
- Termostat jest źle ustawiony.
- Temperatura na zewnątrz jest zbyt wysoka.

Oświetlenie wewnątrz nie działa, gdy pracuje kompresor

- Żarówka jest przepalona. Odłącz urządzenie od prądu, wyjmij lampę i wymień żarówkę. Następnie zamontuj lampę i podłącz urządzenie do prądu.
- Światło jest wyłączone. Sprawdź czy przełącznik jest we właściwym położeniu.

Urządzenie działa zbyt głośno

- Urządzenie zostało niewłaściwie ustawione.
- Rurki na tylnej ścianie dotykają się lub drgają.
- Hałasują źle rozmieszczone butelki lub inne naczynia wewnątrz urządzenia.

Pojawiła się woda wewnątrz lodówki

- Zapchany jest kanał odpływowy.
- Jeśli postępowaleś zgodnie z niniejszą instrukcją i nie udało się zlikwidować usterki skontaktuj się z autoryzowanym serwisem.

Uwaga!

Nigdy nie próbuj samodzielnie naprawiać urządzenia ani jego elektrycznych elementów. Wszelkie tego typu naprawy przez osoby niewykwalifikowane mogą być niebezpieczne dla użytkowników i prowadzą do utraty gwarancji.



To urządzenie jest oznaczone zgodnie z Dyrektywą Europejską 2002/96/WE oraz polską Ustawą o zużytym sprzęcie elektrycznym i elektronicznym symbolem przekreślonego kontenera na odpady.

Takie oznakowanie informuje, że sprzęt ten, po okresie jego użytkowania nie może być umieszczany łącznie z innymi odpadami pochodzącymi z gospodarstwa domowego.

Użytkownik jest zobowiązany do oddania go prowadzącym zbieranie zużytego sprzętu elektrycznego i elektronicznego. Prowadzący zbieranie, w tym lokalne punkty zbiórki, sklepy oraz gminne jednostki, tworzą odpowiedni system umożliwiający oddanie tego sprzętu.

Właściwe postępowanie ze zużytym sprzętem elektrycznym i elektronicznym przyczynia się do uniknięcia szkodliwych dla zdrowia ludzi i środowiska naturalnego konsekwencji, wynikających z obecności składników niebezpiecznych oraz niewłaściwego składowania i przetwarzania takiego sprzętu.

Gwarancja jakości

Twój produkt marki BEKO posiada gwarancję jakości udzieloną przez Beko S.A z siedzibą w Warszawie ul. Puławska 366, 02-819 Warszawa (dalej Gwarant).

Gwarancja jakości udzielana jest wyłącznie na produkty marki BEKO wprowadzane do obrotu na terytorium Rzeczypospolitej Polskiej przez Gwaranta. Termin gwarancji wynosi 24 miesiące od daty zakupu produktu. Oświadczenie gwarancyjne określające warunki gwarancji znajdziesz na stronie internetowej www.beko.pl w sekcji serwis.

Warunkiem wykonywania uprawnień z gwarancji jest przedstawienie dowodu zakupu produktu lub zarejestrowanie produktu na stronie www.beko.pl w sekcji serwis .

Zarejestruj swój produkt.

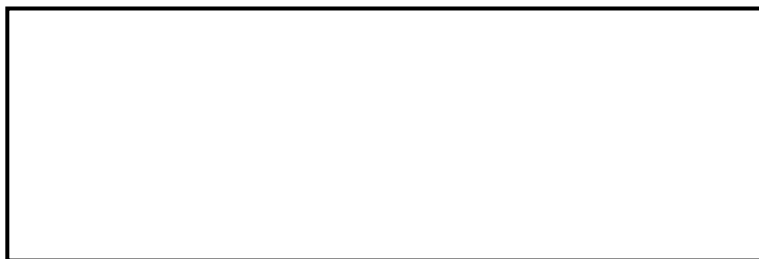
Załącz konto oraz zarejestruj teraz swój produkt marki BEKO objęty gwarancją na naszej stronie internetowej www.beko.pl w sekcji serwis. Dzięki temu nie będziesz musiał się martwić w sytuacji gdy zgubisz dowód zakupu. Ponadto będziesz miał możliwość otrzymania oświadczenia gwarancyjnego w postaci „cyfrowej karty gwarancyjnej”.

Obsługa klienta – infolinia 22 250 14 14

W celu zgłoszenia reklamacji lub usterki produktu marki BEKO prosimy o kontakt telefoniczny z infolinią . Nasi konsultanci pomogą ci rozwiązać problem lub skierują do właściwego serwisu BEKO.

Infolinia czynna jest 7 dni w tygodniu od 8.00 do 20:00.

* Koszt połączenia jak za połączenie lokalne (z telefonu stacjonarnego) lub według stawek operatora sieci komórkowej.



Podpis i pieczęć instalatora (z numerem uprawnienia) w przypadku montażu urządzeń gazowych lub płyt i piekarników elektrycznych

Aby otrzymać więcej informacji dotyczących serwisu BEKO np. gdzie kupić części zamienne lub akcesoria należy odwiedzić stronę internetową www.beko.pl i wybrać zakładkę serwis.

Blahopřejeme k výběru kvalitního spotřebiče **BEKO** který je určen pro mnoho let služby.

Prosklené vitríny jsou spotřebiče na chlazení nápojů a uchování čerstvých potravin.

Jsou vybaveny průhlednými dvířky z bezpečnostního skla

Má nový a atraktivní design a je vyroben podle mezinárodních pravidel, která vám zaručují provozní a bezpečnostní kapacitu.

Pro používání skříňové chladničky v nejlepších podmínkách si prosím pozorně přečtete návod k používání.

Tento spotřebič by neměly používat osoby se sníženou fyzickou, senzorickou nebo mentální způsobilostí a nebo s nedostatečnými zkušenostmi a poznatky. Tyto osoby mohou spotřebič používat jen pod dohledem osoby zodpovědné za jejich bezpečnost, a nebo pokud je zodpovědná osoba poučila o správném používání spotřebiče.

Děti by měly být pod dozorem, aby si nehrály se spotřebičem.

Toto není produkt pro domácnost, jedná se o komerční produkt pro profesionální použití.

Rady pro recyklaci vaší staré chladničky

Pokud novou skříňovou chladničku pořizujete za starou, měli byste splnit určité věci.

Staré spotřebiče nejsou bezcenný odpad.

Jejich odstranění v souladu s životním prostředím umožňuje izolaci některých důležitých surovin.

Jak můžete zajistit likvidaci starého spotřebiče:

- odpojte jednotku ze sítě.
- oddělte napájecí kabel (odříznutím),
- odstraňte možné zámky na dvířkách, aby se uvnitř nemohly zamknout děti při hře a nedošlo k ohrožení jejich života.

Chladničky a mrazničky obsahují izolační materiály a chladicí činidla, jež vyžadují adekvátní recyklaci.

Recyklace obalu

Upozornění!

Nedovolte dětem, aby si hrály s obaly či jejich částmi. Hrozí riziko udušení kusy složeného kartonu a plastů.

- Spotřebič je chráněn adekvátním obalem tak, aby bylo zaručeno dodání v dobrém stavu. Veškeré obalové materiály jsou v souladu s životním prostředím a lze je recyklovat. Pomozte nám prosím recyklovat obaly v souladu s životním prostředím!

Důležité upozornění!

Pozorně si přečtěte všechny tyto pokyny, než spotřebič spustíte. Tyto pokyny obsahují důležité informace týkající se instalace, používání a údržby spotřebiče.

Výrobce nelze činit zodpovědným, pokud tyto pokyny nejsou náležitě v souladu s příručkou. Uchovejte tuto příručku na bezpečném místě pro případ nutné další konzultace.

Mohla by navíc být užitečná jinému uživateli.

Upozornění!

Tento spotřebič by měl být používán jen pro účel, pro nějž byl vyroben, na adekvátních místech, udržován mimo déšť, vlhkost či jiné atmosférické faktory.

Pokyny pro transport

Spotřebič se smí přenášet jen ve svislé pozici. Obaly musí během transportu zůstat nedotčeny. Než přístroj zapojíte do sítě, nechte jej nejméně 4 hodin stát.

Pokud tyto pokyny nedodržíte, může dojít k závadě motorkompresoru a přístroj může být vyjmut ze záruky.

Bezpečnostní opatření a obecné rady

Pokud jste si povšimli jakékoli závady, nezapínejte spotřebič.

- ♦ Nenechávejte dvířka otevřená přes dobu nezbytně nutnou.
- ♦ Neskladujte uvnitř výrobky obsahující vznětlivé či výbušné plyny.
- ♦ Nedovolte dětem hrát si či schovávat se v spotřebiči.
- ♦ Před jakýmkoli čištěním odpojte přístroj ze sítě.

Při odpojování přístroje ze sítě tahejte za zásuvku, nikoli za kabel!

- ♦ Nevystupujte na spotřebič, neopírejte se o dvířka, o police.
- ♦ Nepoužívejte přístroj v blízkosti radiátorů, sporáků či jiných zdrojů tepla.
- ♦ Abyste předešli jakékoli možnosti poškození či nehody, nestavte na přístroj (vršek) žádné nestabilní předměty obsahující kapaliny či zdroje ohně (Vázy s květinami, květináče, svíčky, lampy atd.
- ♦ Nenechávejte potraviny v přístroji, pokud není v provozu.

- ♦ Nedoporučuje se spotřebič vypínat, pokud jej nebudete pár dní používat. Pokud jej nepoužíváte delší období, postupujte podle následujících pokynů:
 - odpojte spotřebič ze sítě;
 - vyprázdněte chladničku a mrazničku;
 - odmrazte a vyčistěte spotřebič;
 - nechte dvířka otevřená, aby nedošlo ke vzniku nepříjemných zápachů.
- ♦ V případě poškození napájecího kabelu je nutno jej nechat vyměnit u výrobce, jeho servisního zástupce či podobně kvalifikované osoby, aby se předešlo nebezpečí.

Instalace

- ♦ Tento spotřebič je určen k použití v teplotách do 30°C a při vlhkosti 55%, klimatická třída 4 (podle nařízení EU 1095-2005), jež by měly být na relativně stálé úrovni. Sestavte spotřebič ve vzdálenosti od jakýchkoli zdrojů tepla. Když umístíte spotřebič do teplé místnosti a vystavíte jej přímo slunečnímu záření nebo jej postavíte v blízkosti zdroje tepla (radiátory, sporáky, trouby), dojde ke zvýšené spotřebě elektrické energie a snížení životnosti spotřebiče.
- ♦ Dodržujte následující minimální vzdálenosti:
 - 100 cm od kamen na uhlí či petrolej;
 - 150 cm od elektrických a/nebo plynových sporáků
 Zajistěte volnou cirkulaci vzduchu v okolí spotřebiče, dodržujte vzdálenosti v nákresech **(Položky 2 a 3)**
- ♦ Vložte distanční rozpěrky do zadní části chladničky, aby jste vymezili prostor mezi chladničkou a stěnou **(Položka 3)**.
- ♦ Umístěte spotřebič na suché a dobře odvětrávané místo, naprosto rovné, v případě nutnosti upravte přední kolečka **(Položka 4)**.
- ♦ Jakýkoli „zavěšený“ kus nábytku bude montován v minimální vzdálenosti 10 cm nad spotřebičem. Tataž vzdálenost bude zajištěna v případě instalace do niky či jiného konstrukčního prvku.
- ♦ Spotřebič není určen na vestavbu do nábytku.
- ♦ Smontujte příslušenství.

Zapojení do sítě

- Váš spotřebič je určen na provoz na jednofázové napětí 220-240 V, 50 Hz. Před zapojením spotřebiče do sítě se ujistěte, že parametry sítě ve vašem domě (napětí, typ proudu a kmitočet) odpovídají provozním parametrům spotřebiče.
- ♦ Informace týkající se napětí sítě a spotřebované energie jsou uvedeny na štítku na vnitřní straně.
 - ♦ Elektrická izolace musí být provedena v souladu s právními požadavky.
 - ♦ Výrobce nezodpovídá za eventuální problémy, které se přihodí osobám, zvířatům či majetku vlivem nedodržení výše uvedených podmínek.
 - ♦ Spotřebič má napájecí kabel a zástrčku (evropský typ, označení 10-16A) s dvojnásobným uzemněním. Pokud zástrčka není stejného typu jako zásuvka, požádejte specializovaného elektrikáře o výměnu.
 - ♦ Nepoužívejte adaptéry.

Zapnutí spotřebiče

Než zapnete spotřebič, vyčistěte jeho vnitřek. (Viz „Čištění a péče“). Pak připojte spotřebič do sítě. Nastavte tlačítka termostatu na průměrnou hodnotu. Pro vnitřní osvětlení nastavte tlačítko signálního bloku na střední pozici. Nechte přístroj v provozu přibližně 2 hodiny, zatím dovnitř nevkládejte žádné nápoje nebo potraviny.

Nastavení teploty

Vnitřní teplotu lze nastavit pomocí tlačítek termostatu.

Teplota dosahovaná uvnitř přístroje by mohla kolísat podle podmínek používání: Umístění, teplota prostředí, četnost otevírání dvířek, množství potravin. Pozice tlačítka termostatu se změní v závislosti na těchto podmínkách. Pro teplotu okolí 30°C bude tlačítko termostatu nastaveno na střední pozici. Jejich umístění můžete kdykoliv změnit podle Vašich představ.

Termostat (umístěný na zadní straně spotřebiče, ve ventilační mřížce) také zajišťuje automatické odmrazování chladničky. Během odmrazování může teplota uvnitř chladničky dosáhnout až +12°C, ale klesne až na 2-3°C.

Popis spotřebiče (Položka 1)

1. Spínač osvětlení
2. Kryt světla - vnitřní osvětlení
3. Ventilátor
4. Rošty
5. Sběrač vody
6. Podpěrný váleček dveří
7. Nastavitelná nožička

Výměna vnitřní lampy

Odpojte spotřebič ze sítě, vyjměte žárovku a vyměňte ji za novou, znovu smontujte.

Lampa (y) použité v tomto přístroji nejsou vhodné pro osvětlení místnosti domácnosti.

Zamýšlený účel tohoto svítidla je pomoci uživateli umístit potraviny do chladničky / mrazničky bezpečně a pohodlně.

Žárovky použité v tomto spotřebiči musí vydržet extrémní fyzické podmínky, např. teploty pod -20°C.

Výměna dvířek

Podle potřeby můžete u Vašeho spotřebiče změnit směr otevírání dveří. Pokud chcete, aby se dveře otevíraly na opačnou stranu, kontaktujte prosím nejbližší autorizovaný servis.

Postupujte v číselném pořadí **(Položka 7)**.

Odmrazování spotřebiče

Odmrazování je plně automatické a probíhá v předem nastavených intervalech. Žádný zásah do tohoto procesu není nutný. Uvolněná voda se hromadí v pánvi umístěné na kompresoru. Voda se tam vypařuje vlivem tepla vznikajícího při jeho provozu (Položka 5).

Důležité upozornění!

Kolektor a odvodnou hadici udržujte čisté, aby voda mohla odtékat. Používejte proto dodávanou odvodnou část. Kontrolujte hadici, aby byla neustále koncem uvnitř odkapávacího tácu na kompresu s cílem předejít toku vody nad elektrickým zapojením či na podlaze.

Čištění a péče

1. Doporučujeme vypnout přístroj ze sítě a vyjmout hlavní zásuvku, než přistoupíte k čištění.
 2. Nikdy nepoužívejte ostré předměty či brusné látky, mýdlo, domovní čistič, odmašťovač či voskové čisticí.
 3. Používejte vlažnou vodu pro vyčištění skříňe a otřete ji pak dosucha.
 4. Používejte vlhký hadřík namočený do roztoku jedné čajové lžičky sody bikarbony na půl litru vody na vyčištění vnitřku, pak jej dosucha otřete.
 5. Ujistěte se, že do skříňky pro kontrolu teploty a skříňky pro žárovku nepronikne žádná voda.
 6. Doporučujeme vyčistit kovové součásti výrobku (např. vnější část dvířek, posuvné části) silikonovým voskem (autoleštidlem) pro ochranu vysoce kvalitního povrchového nátěru.
 7. Pravidelně kontrolujte těsnění dvířek, abyste zajistili jejich čistotu a nezanesení částicemi potravin.
 8. Nikdy:
 - Nečištějte spotřebič nevhodnými materiály; tzn. výrobky na bázi petroleje.
 - Jej nevystavujte vysokým teplotám.
 - Nedrhňte, nebruste atd. brusnými materiály.
- Nikdy na čištění nepoužívejte benzín a podobné materiály.**

9. Vyčistěte vnější stranu chladicího okruhu (kompresor, kondenzátor, spojení, hadice) měkkým kartáčem nebo vysavačem. Během této operace prosím nepoškodíte trubice a neodstraňujte kabely.

10. Když dokončíte čištění, vraťte příslušenství na místo a zapojte spotřebič do sítě.

Návod na odstraňování potíží

Přístroj nefunguje

- ♦ Došlo k výpadku energie.
- ♦ Zástrčka napájecího kabelu není správně zasunutá do zásuvky.
- ♦ Je vypálená pojistka.
- ♦ Termostat je v pozici Stop (O).

Přístroj nechladí

- ♦ Došlo k přerušení energie na delší dobu.
- ♦ Na zmrazení byly uloženy čerstvé potraviny
- ♦ Přístroj nebyl správně umístěn.
- ♦ Spotřebič je příliš blízko od zdroje tepla.
- ♦ Tlačítko termostatu není ve správné pozici.
- ♦ Okolní teplota je příliš vysoká.

Vnitřní osvětlení nefunguje, když je v chodu kompresor.

- ♦ Je prasklá žárovka. Odpojte spotřebič ze sítě, vyjměte žárovku a vyměňte ji za novou, znovu smontujte.
- ♦ Spínač je v pozici vypnuto nebo nefunguje.
- ♦ Spínač není aktivován.

Spotřebič je příliš hlučný

- ♦ Přístroj nebyl správně umístěn.
- ♦ Zadní trubice se dotýkají nebo vibrují.
- ♦ Lahve či jiné nádoby uvnitř se dotýkají.

Uvnitř skříně je voda.


- ♦ Je ucpaný odvod vody.

Pokud jste postupovali podle výše uvedených pokynů a nepodařilo se vám odhalit závadu, kontaktujte prosím servis.

Upozornění!

Nikdy se nepokoušejte opravit přístroj či jeho elektrické součástky sami. Jakákoli oprava provedená neškolenou osobou je nebezpečná pro uživatele a může vést k ukončení záruky.



Symbol  na výrobku nebo na obalu upozorňuje na skutečnost, že spotřebič nepatří do běžného domácího odpadu. Místo toho je třeba jej odevzdat do speciální sběrné odpadů na recyklování elektrických a elektronických zařízení. Vaší podporou správné likvidace pomáháte zabránit potenciálně negativním vlivům na životní prostředí a lidské zdraví, které by jinak nesprávná likvidace výrobku mohla způsobit. Další informace a recyklování tohoto spotřebiče získáte na místním úřadě, ve sběrně odpadů nebo u prodejce, kde jste spotřebič zakoupili.

Blahoželáme k Vášmu výberu **BEKO** kvalitného spotrebiča, navrhnutého tak, aby Vám slúžil veľa rokov.

Výkladové okienka sú spotrebiče na chladenie nápojov a pre konzervovanie čerstvého jedla.

Sú vyhotovené s priehľadnými dverami z bezpečnostného skla.

Má nový a atraktívny dizajn a je vyrobená podľa medzinárodne uznávaných pravidiel, ktoré garantujú fungovanie a výkon.

K používaniu výkladu chladničky za najlepších podmienok, prosíme prečítajte si podrobne tento návod na použitie.

Originálne náhradné súčiastky budú dodávané po dobu 10 rokov od kúpy výrobku.

Tento spotrebič by nemali používať osoby so zníženou fyzickou, senzorickou alebo mentálnou spôsobilosťou alebo s nedostatočnými skúsenosťami a poznatkami. Tieto osoby môžu spotrebič používať len pod dohľadom osoby zodpovednej za ich bezpečnosť, alebo ak ich zodpovedná osoba poučila o správnom používaní spotrebiča. Deti by mali byť pod dozorom, aby sa nehrali so spotrebičom.

Nie je to výrobok pre domácnosť, jedná sa o komerčný produkt pre profesionálne použitie.

Poučenie o recyklácii vašej starej chladničky

Ak nový výklad chladničky nahradí starší, mali by ste splniť nejaké podmienky.

Staré spotrebiče netvorí bezhodnotný odpad. Ich odstránenie vzhľadom k okolitému prostrediu umožňuje získať späť niektoré dôležité ťažobné materiály.

Ako môžete zabezpečiť korektné odstránenie starého spotrebiča:

- odpojte jednotku z elektrickej siete,
- odstrihnite elektrický kábel,
- odstráňte možný zámok na dverách, aby ste predišli tomu, že sa dnu zamknú deti.

Chladničky a mraziaky pozostávajú z izolačných materiálov a chladiacich médií, ktoré si vyžadujú adekvátnu recykláciu.

Recyklačný obal

Varovanie!

- Nenechajte deti hrať sa s obalom, prípadne s ktorýmkoľvek jeho časťami. Je tu riziko udusení sa kúskami zosúkanej lepenky a plastickou fóliou.
- Za účelom prijatia tovaru v dobrom stave je spotrebič chránený adekvátnym obalom. Všetky materiály obalu sú v súlade so životným prostredím a môžu byť recyklované. *Prosíme Vás, pomôžte nám recyklovať obaly v súlade s požiadavkami životného prostredia!*

Dôležité!

Podrobne do konca si prečítajte tieto inštrukcie predtým, než spotrebič začnete používať. Tieto inštrukcie pozostávajú z dôležitých informácií týkajúcich sa inštalácie, použitím údržby používania. Výrobca nebude niesť zodpovednosť ak tieto inštrukcie nie sú adekvátne v súlade s manuálom. Uschovajte tento manuál na bezpečnom mieste za účelom konzultácie, ak to bude nevyhnutné. Okrem toho by mohol byť užitočný pre iného užívateľa.

Varovanie!

Tento spotrebič by mal byť použitý iba za účelom pre ktorý bol vyrobený, v príslušných medziach, chránený pred dažďom, vlhkosťou alebo inými atmosférickými činiteľmi.

Inštrukcie prepravy

Spotrebič musí byť prepravovaný výlučne vo vertikálnej polohe. Obal musí ostať počas prepravy nepoškodený. Pred zapojením nechajte spotrebič stáť v kľude minimálne 4 hodín.

Ak tieto inštrukcie nebudú splnené, môže to mať vplyv na motor kompresora a prípadná reklamácia na spotrebič by tak nemusela byť uznaná.

Bezpečnostné opatrenia a základné rady

Ak ste zistili nejaký problém, držte spotrebič mimo prevádzky.

- ♦ Dvere nenechávajte otvorené viac ako je nevyhnutné na vybratie a vloženie jedla dnu a von.
- ♦ Neuchovávajte dnu produkty obsahujúce horľavé alebo explozívne plyny.
- ♦ Nedovoľte deťom hrať sa alebo sa schovávať v jednotke.
- ♦ Pred akýmkoľvek čistením odpojte spotrebič od siete.

Ak odpájate, ťahajte za zástrčku, nie za elektrickú šnúru!

- ♦ Nešplhajte sa na spotrebič, nevešajte sa na dvere a šuflíky.
- ♦ Neumiestňujte spotrebič v blízkosti vyhrievaj jednotky, sporáka alebo iných telies produkujúcich teplo.
- ♦ Za účelom prevencie proti poškodeniu alebo nehody, nepokladajte na spotrebič iné nestabilné objekty obsahujúce tekutiny alebo horľavé látky (kvetináče, vázy, lampy...).
- ♦ V spotrebiči nenechávajte jedlo, ak nie je v prevádzke.

- ♦ Neodporúčame vypínať spotrebič, ak ho neplánujete používať pár dní. Ak spotrebič nebudete používať dlhšie obdobie, postupujte nasledovne:
 - odpojte jednotku zo siete;
 - vyprázdnite vnútorné priestory, chladničku aj mraziak;
 - odmrázte a vyčistite spotrebič;
 - nechajte dvere pootvorené aby ste predišli nepríjemnému zápachu.
- ♦ Ak je sieťový kábel poškodený, je potrebné, aby ho vymenil výrobca, servisný agent alebo podobne kvalifikovaná osoba, vyhnite sa tak možnému nebezpečenstvu.

Inštalácia

- ♦ Tento spotrebič je určený na použitie pri okolitých teplotách až do 30°C a vlhkosti až do 55 %, klimatická trieda 4 (podľa regulácie EÚ 1095-2005), ktorá by sa mala udržiavať relatívne konštantná. Predchádzajte použitie výkladu pri okolitej teplote <math>< 5^{\circ}\text{C}</math>. Umiestnenie spotrebiča v teplej miestnosti vystavený priamemu slnečnému žiareniu alebo umiestnenie blízko tepelného zdroja (radiátor, varič, sporák...) má vplyv na rast spotreby energie a znižuje životnosť spotrebiča.
 - ♦ Prosíme dodržte nasledujúce minimálne vzdialenosti.
 - 100 cm od sporákov na uhlie a tekuté palivo;
 - 150 cm od elektrických alebo plynových sporákov
- Zabezpečte voľnú cirkuláciu vzduchu okolo spotrebiča, dodržaním vzdialeností uvedených na náčrte (**Položka 2 a 3**).
- ♦ Vložte dištančný kolík do zadnej časti chladničky, aby ste vymedzili priestor medzi chladničkou a stenou (**obrázok 3**).
 - ♦ Umiestnite spotrebič v suchom a dobre vetranom prostredí, vo vodorovnej polohe, nastavením predných nôh ak je to nevyhnutné (**Položka 4**).
 - ♦ Akýkoľvek závesný nábytok bude namontovaný v minimálnej vzdialenosti 10 cm nad spotrebičom. Rovnaká vzdialenosť bude

- ♦ podobne dodržaná v prípade výklenku alebo iného konštrukčného elementu.
- ♦ Spotrebič nie je vyrobený aby bol vstavaný do nábytku.
- ♦ Prosíme zhromaždite príslušenstvo.

Sieťové pripojenie

Spotrebič je navrhnutý pre jednofázové napätie 220-240V, 50Hz. Pred zapojením spotrebiča do siete sa uistite, či sú parametre vašej elektrickej sústavy domu (napätie, Hz) v súlade s pracovnými parametrami spotrebiča.

- ♦ Informácie týkajúce sa dodávky napätia a spotrebovanej energie sú uvedené v označenej tabuľke, umiestnenej vo vnútri stránky, ktorú možno vidieť na náčrtku.
- ♦ Elektrická inštalácia musí byť vykonaná v súlade s normami.
- ♦ Výrobca nie je zodpovedný za eventuálne problémy, ktoré sa stanú zavinením osôb, zvierat alebo nedodržaním hore uvedených pravidiel.
- ♦ Spotrebič má napájacie vedenie a zástrčku (Európsky typ, označený 10/16A) s dvojitým zemnením. Zástrčka nie je rovnakého typu ako zásuvka, požiadajte špecialistu aby vykonal zmenu.
- ♦ Nepoužívajte adaptér.

Spustenie spotrebiča

Pred uvedením spotrebiča do prevádzky, vyčistite jeho interiér. (Pozrite „Čistenie a údržba“).

Potom ako to urobíte, pripojte spotrebič do elektrickej siete. Nastavte termostat na priemernú polohu.

Pre vnútorné osvetlenie nastavte tlačidlo signalizácie na strednú pozíciu.

Nechajte spotrebič pracovať. 2 hodiny bez vkladania akýchkoľvek nápojov, či jedla.

Regulácia teploty

Vnútorná teplota by mala byť nastavená pomocou tlačidla termostatu.

Teploty získané vo vnútri spotrebiča by sa mali pohybovať v závislosti od podmienok použitia: umiestnenie, okolitá teplota, frekvencia otvárania dvier, množstvo jedla.

Poloha tlačidla termostatu bude zmenená v závislosti na týchto požiadavkách. Zvyčajne pre vonkajšiu teplotu 30°C, bude tlačidlo termostatu nastavené na strednú polohu. Túto polohu môžete následne nastaviť podľa Vašho želania

Termostat (umiestnený na zadnej strane spotrebiča, pri ventilačnom rošte) taktiež zaručuje automatické rozmrazovanie. Počas rozmrazovacej periódy by mala vnútorná teplota dosiahnuť +12°C, a poklesne do 2-3°C.

Predchádzajte takým polohám tlačidla termostatu, ktorý by mohli spôsobiť permanentný chod spotrebiča.

Popis spotrebiča (Položka 1)

- 1 - Lamp switch
- 2 - Kryt svetla - vnútorné osvetlenie
- 3 - Ventilátor
- 4 - Rošty
- 5 - Zberač vody
- 6 - Podporný valček dverí
- 7 - Nastaviteľná nožička

Výmena interiérovej lampy

Odpojte spotrebič, vyberte lampu a namontujte novú lampu.

Lampa(y) použité v tomto prístroji nie sú vhodné pre osvetlenie miestnosti domácnosti.

Zamýšľaný účel tohto svietidla je pomôcť užívateľovi umiestniť potraviny do chladničky/mrazničky bezpečne a pohodlne.

Žiarovky použité v tomto spotrebiči musí vydržať extrémne fyzické podmienky, napr. teploty pod -20°C.

Premiestnenie dverí

Smer otvárania dvierok môžete podľa potreby zmeniť. Ak chcete, aby sa dvierka otvárali opačným smerom, obráťte sa na najbližšie autorizované servisné stredisko.

Vysvetlené v poradí **(Položka 7)**.

Použitie rozmrazovania

Rozmrazovanie je plne automatické a vykonávané v stanovených periódach. Od vás sa nevyžaduje žiaden zásah.

Voda z rozmrazovania sa zberá do nádoby umiestnenej nad kompresorom. Voda sa odtiaľ odparuje vplyvom produkovaného tepla počas prevádzky spotrebiča **(Položka 5)**.

Dôležité!

Kolektory a odtekanie hadicu udržiavajte čisté aby mala kadiaľ odtekať voda po rozmrazovaní. Aby ste tak urobili, použite dodané odtekanie žliabky. Skontrolujte hadicu, ktorá by mala byť permanentne zastrčená v zbernej nádobe na kompresore za účelom aby voda nevytiekla na elektrické príslušenstvo a podlahu.

Čistenie a údržba

1. Odporúčame vypnúť spotrebič zo zástrčky a odtrhnúť elektrickú šnúru pred čistením.

2. Nikdy na čistenie nepoužívajte akékoľvek ostré predmety alebo brúsne substancie, mydlo, domáce čistidlá, detergenty alebo voskové politúry.

3. Použite teplú vodu na čistenie spotrebiča a vytrite ho do sucha.

4. Použite sacie plátno a rozmiešajte roztok jednej čajovej lyžičky sódy bikarbóny a pol litra vody. Umyte interiér a vytrite do sucha.

5. Uistite sa, či do krytu termostatu prípadne lampy nevošla voda.

6. Odporúčame vyleštiť kovové časti interiéru (napr.: dvere, mriežky...) so silikónovým voskom (leštidlo na karosériu) na ochranu farbených častí.

7. Skontrolujte tesnenie dverí či je čisté a zbavené odrobiniek z jedla.

8. Nikdy :

- Nečistite spotrebič s nevhodnými materiálmi; ako sú petrolejové produkty.
- Nepodrobujte ho vysokým teplotám,
- Neleštite, neutierajte atď. s brúsnyimi materiálmi.

Nikdy nepoužívajte benzínové alebo podobné materiály na čistiace účely.

9. Vonkajšie časti chladiaceho okruhu čistite (kompresor, kondenzátor, rozvody...) jemnou kefkou alebo vysávačom. Počas tejto činnosti dávajte pozor, aby sne neskrivil rozvody pre chladiace médium alebo neprerušili káble.

10. Keď dokončíte čistenie príslušenstvo na ich miesto a zapojte spotrebič do siete.

Poradca hľadania chýb**Spotrebič nepracuje**

- ♦ Nie je prívod energie.
- ♦ Zástrčka nie je dobre zasunutá do zásuvky.
- ♦ Vyhoreli poistky.
- ♦ Termostat je na pozícii stop (O).

Spotrebič nechladí

- ♦ Energetický prísun je prerušený už dlhšiu dobu.
- ♦ Čerstvé jedlo bolo uvedené do mrazenia.
- ♦ Spotrebič nebol korektne umiestnený.
- ♦ Spotrebič je príliš blízko tepelného zdroja.
- ♦ Tlačidlo termostatu nie je v správnej pozícii.
- ♦ Okolité teplota je príliš vysoká.

Vnútorne osvetlenie nefunguje keď beží kompresor

- ♦ Lampa je vypálená. Odpojte spotrebič, vyberte lampu a nahradte ju novou lampou.
- ♦ Vypínač je v polohe vypnuté alebo pokazený.
- ♦ Vypínač nie je činný.

Spotrebič je príliš hlasný

- ♦ Spotrebič nebol vhodne umiestnený.
- ♦ Zadné rozvody média sa dotýkajú predmetu alebo vibrujú.
- ♦ Vo vnútri spotrebiča sa dotýkajú fľaše alebo iné nádoby.

Voda vo vnútornej skrinke.


- ♦ Drenážne kanálky sú zanesené.

Ak budete postupovať podľa vyššie uvedených informácií a nebudete mať úspech pri hľadaní chyby, kontaktujte servis.

Varovanie!

Nepokúšajte sa sami opravovať elektrické komponenty prípadne iné príslušenstvo. Akákoľvek oprava vykonaná neskúsenou osobou je nebezpečná pre užívateľa a môže viesť k strate záruky.



Symbol  na výrobku alebo na balení označuje, že s týmto výrobkom sa nesmie manipulovať ako s odpadom z domácnosti. Namiesto toho by ste ho mali odovzdať na príslušnom zbernom mieste, kde sa zabezpečuje recyklácia elektrických a elektronických zariadení. Zabezpečením správnej likvidácie tohto výrobku pomôžete zabrániť potenciálne nebezpečným negatívnym následkom na životné prostredie a zdravie ľudí, ktoré by inak mohla spôsobiť nevhodná likvidácia tohto výrobku. Ak chcete získať podrobnejšie informácie o recyklácii tohto výrobku, obráťte sa na miestny mestský úrad, na spoločnosť, ktorá sa zaoberá likvidáciou odpadu z domácností, alebo na predajňu, v ktorej ste výrobok kúpili.

Gratulálunk a **BEKO** minőségű készülékválasztásához melyet sok évnyi használatra terveztek.

A kirakat eszköz az ital hűtésére és az étel frissen tartásához.

Az átlátszó ajtók bizonyítottan biztonsági üvegből készültek.

Ez egy új és vonzó tervezés és megfelel az európai szabályoknak, amely garantálja Önnek a működés és biztonság minőségét.

Nagy teljesítményű hűtött függőleges szekrény legmegfelelőbb körülmények közötti használatához olvassa el figyelmesen ezeket a használati utasításokat.

Ennek a készüléknek a használata, csökkentett szellemi és fizikai képességekkel rendelkezők számára csak felügyelet mellett tanácsos.

A készülék a gyerekek számára veszélyes, ezért, csak felügyelet mellett használhatják.

A készülék nem játékszer.

Ez nem egy háztartási termék, ez kereskedelmi termék professzionális használatra.

Tanácsok régi fagyasztójának újrahaznosításához

A régi hűtőszekrény újra való cseréléséhez néhány dolognak eleget kell tenni.

A régi készülék nem értéktelen hulladék. A kiszerelese a környezetvédelmi előírásoknak megfelelően lehetővé teszi néhány fontos nyersanyag újrafelhasználását.

Hogyan értékesítheti régi készülékét:

- szerelje le az egységet az áramellátásról,
- távolítsa el az áramellátó kábelt (kikapcsol)
- távolítsa el a lehetséges zárat az ajtón, hogy elkerülje annak veszélyét, hogy egy gyerek bezárja magát a belsejébe, ha játszik.

A hűtőszekrény és mélyhűtő szigetelőanyagokat és hűtő hatóanyagokat tartalmaz, amely megfelelő újrahaznosítást igényel.

Csomagolás újrahaznosítás

Figyelem!

-Ne engedje, hogy a csomagolással vagy annak valamely részével gyerekek játszanak. A hajtogatott karton és műanyag fólia darabjai fulladásveszélyesek.

-Azért, hogy jó állapotban érkezzen meg, a készüléket megfelelő csomagolással védik. A csomagolás minden anyaga megfelel a környezeti előírásoknak és újrahaznosíthatóak. Kérem segítsen a környezeti előírásoknak megfelelően a csomagolást újrahaznosítani!

Fontos !

Figyelmesen olvasson végig minden utasítást, mielőtt beüzemeli a készüléket! Ezek az utasítások fontos információkat tartalmaznak a készülék beüzemelésre, használatra és karbantartására vonatkozóan.

A gyártó nem felelős, ha ezeket az utasításokat nem tartják be a kézikönyvnek megfelelően. Tartsa a kézikönyvet biztonságos helyen, hogy könnyedén utánanézzon valaminek, ha szükséges!

Továbbá hasznos lehet más felhasználók zámára.

Figyelem!

A készülék csak a gyártásnak megfelelő célra használható, megfelelő helyen, távol tartva esőtől, párától vagy egyéb légköri tényezőtől.

Szállítási utasítások

A készüléket csak függőleges állapotban szabad szállítani. A csomagolásnak sértetlennek kell lennie a szállítás alatt. Mielőtt bedugná a készüléket, hagyja 4 órát állni.

Ha nem tesz eleget ezeknek az utasításoknak, az a motorkompresszor meghibásodását okozhatja és a garanciát elveszítheti.

Biztonsági intézkedések és általános információk

Ha valamilyen hibát észrevesz, kérem ne üzemeltesse a készüléket.

- ◆ Kérem ne hagyja nyitva tovább az ajtót, mint amennyi az étel kivételéhez és betételéhez szükséges.
- ◆ Ne tartson olyan terméket benne, amely gyúlékony vagy robbanásveszélyes.
- ◆ Ne hagyja, hogy a gyerekek játszanak vagy elbújjanak a készülékben.
- ◆ Húzza ki a dugót, mielőtt tisztítaná..

A készülék kihúzásához a dugót húzza, ne a kábelt!

- ◆ Ne másszon fel a készülékre, és ne dőljön az ajtónak vagy a polcoknak.
- ◆ Ne használja a készüléket fűtés, gáztűzhely vagy más egyéb hőforrás közelében.
- ◆ Hogy elkerülje bármilyen sérülés vagy baleset lehetőségét, ne tegyen a készülék tetejére semmiféle folyadékot tartalmazó instabil tárgyat vagy tűz forrását (Virágos váza, virágcserep, gyertyák lámpák, stb.)
- ◆ Ne hagyjon élelmiszert a készülékben, ha nem működik.

- ◆ Nem ajánlatos a készüléket kikapcsolni, ha néhány napig nem használja. Ha hosszabb ideig nem használja, kérem a következőképpen járjon el:
 - húzza ki a készüléket,
 - ürítse ki a hűtőszekrényt és fagyasztót,
 - olvassa le és tisztítsa meg a készüléket,
 - hagyja nyitva az ajtót, hogy elkerülje a kellemetlen szagokat.
- ◆ Ha az áramellátó zsinór megsérült, annak kicserélését a gyártóval, a gyártó szervizelőjével vagy hasonló képzett szakemberrel kell elvégeztetni a veszély elkerülése érdekében.

Beüzemelés

- ◆ Jelen készüléket környezeti hőmérsékletekben, akár 30°C valamint 55%-os páratartalomban történő használatra készítették, 4. klímaosztály (Az UE 1094/2015 előírás alapján), melyet aránylag állandó értéken kell tartani. Bármilyen hőforrástól távol szerelje össze a készüléket. A készüléket meleg helyiségbe helyezve, közvetlenül napfényre kiállítva vagy hőforrás közelébe helyezve (fűtés, tűzhely, sütő) növeli az energiafogyasztást és csökkenti a készülék élettartamát.
- ◆ Kérem tartsa be a következő minimális távolságokat:
 - 100 cm szén- vagy olajtűzhelytől;
 - 150 cm elektromos- és/vagy gázsütőtől
 Biztosítson szabad légkeringést a készülék körül, megtartva a rajzokon **(2 tétel)** feltüntetett távolságokat.
- ◆ Tegye a hátsó szellőztető fedelet a hűtőszekrény hátuljához, hogy beállíthassa a fal és a készülék közötti távolságot
- ◆ Helyezze a készüléket száraz és jól szellőző helyre, éppen egészen az első talpazathoz beállítva, ha szükséges **(4.tétel)**.
- ◆ Bármilyen "felfüggesztett" bútor minimum 10 cm távolságra legyen beszerelve a készüléktől. Hasonló távolságról gondoskodjon falmélyedés vagy egyéb konstrukciós elem esetén is.
- ◆ A készülék nem helyezhető beépített bútorba.
- ◆ Kérem gyűjtse össze a kellékeket.

Fő csatlakozás

Az Ön készülékét 220-240V, 50Hz monofázisú feszültséghez tervezték. Mielőtt csatlakoztatná készülékét a fő áramkörhöz, győződjön meg róla, hogy házának fő paraméterei (feszültség, aktuális típus, és frekvencia) megfelelnek a készülék működési paramétereinek.

- ◆ Az elektromos ellátás és használt energia a jelölőcímkén fel van tüntetve, amely a belső oldalon van elhelyezve- amely az elhúzás után jobban látható.
- ◆ Az elektromos bevezetést a jogi követelményeknek megfelelően kell végezni.
- ◆ A gyártó nem felelős a lehetséges problémákért, amely a fent említett feltételek figyelmen kívül hagyása miatt személyi, állati vagy vagyoni eredetű..
- ◆ A készülék rendelkezik áramellátó kábellel és dugóval (európai típus, 10/16A jelzett), dupla földeléssel. Ha a dugó más típusú, mint a foglalat, erre szakosodott villanyszerelőt kérjen meg a cserére.
- ◆ Ne használjon elosztókat.

Készülék beindítása

Mielőtt beindítja a készüléket, tisztítsa meg a belsejét. (Lásd: Tisztítás és védelem) Miután ezut elvégezte, csatlakoztassa a készüléket a fő áramkörhöz. Állítsa be a termosztát gombot a megfelelő állásba- A belső világításhoz állítsa a fagyasztásjelző gombot középső állásba. Hagyja a készüléket abt. működni. 2 óra bármilyen ital vagy ételkészítés elhelyezés nélkül.

Hőmérséklet beállítás

A belső hőmérsékletet beállíthatja a termosztát gomb segítségével.

A készülék belsejében fennálló hőmérséklet ingadozhat a használat feltételeitől függően:

Elhelyezés, környezeti hőmérséklet, ajtó nyitásának gyakorisága, ételminőség. A termosztát gombjának állapota ezen feltételektől függően változik. Rendszerint, 30°C környezeti hőmérséklet esetén, a termosztát gomb egy középállapotban helyezkedik el. A távolság utólagosan is beállítható.

A termosztát (a készülék hátsó részén, a szellőzésnél helyezkedik el) biztosítja a hűtőszekrény automatikus kiolvasztását. A kiolvasztás ideje alatt a belső hőmérséklet elérheti a legfeljebb +12°C-t, de lecsökken legfeljebb 2-3°C-ra.

Készülék leírás

(1. tétel)

- 1 - lámpa kapcsoló
- 2 - lámpabúra - belső világítás
- 3 - ventilátor
- 4 - rács
- 5 - (olvadék) víz elvezető
- 6 - zsanér
- 7 - állítható láb

Belső lámpa cseréje

Húzza ki a készüléket, vegye ki a lámpát, cserélje ki másikra és szerelje be.

A készülékben lévő lámpa/lámpák háztartásban lévő helyiségek megvilágítására nem alkalmas/alkalmasak. A lámpa rendeltetése, hogy segítse a felhasználót az élelmiszerek

hűtőszekrénybe/fagyasztószekrénybe való gyors és biztonságos behelyezésében.

A készülékben használt lámpáknak extrém környezeti hatásokat kell kibírniuk, mint pl. a -20°C hőmérséklet.

Ajtó áthelyezése

Eljárás számsorrendben (7 tétel).

Készülék kiolvasztása

A kiolvasztás teljesen automatikus és előre beállított időpontban történik. Az Ön részéről semmilyen beavatkozás nem szükséges.

A keletkező víz egy csöpögő edényben gyűlik össze a kompresszoron. A víz itt elpárolog a működés közben a kibocsátott hő miatt (5. tétel).

Fontos !

Tartsa tisztán a gyűjtőt és lefolyó csövet a kiolvasztás után keletkező víz számára. Hogy így történjen, használja a szállított csatornát. Állandóan ellenőrizze a csövet a kompresszoron lévő csöpögő tálca belső végénél, hogy elkerülje az elektromos vezeték fölötti vagy padlóra folyást (6. tétel).

Tisztítás és védelem

1. Azt tanácsoljuk, hogy kapcsolja ki a készüléket és húzza ki a fő dugót, mielőtt tisztítja.

2. Soha ne használjon éles tárgyat vagy csiszoló anyagot, szappant, háztartási tisztítót, tisztítószert vagy wax polírozót a tisztításhoz.

3. Használjon langyos vizet a készülék vitrinjének tisztításához és törölje szárazra.

4. Használjon nedves, kicsavart ruhát egy teáskanálnyi bikarbónát, szódát fél liternyi vízben feloldva a tisztításhoz és törölje szárazra.

5. Győződjön meg róla, hogy nem került víz a hőmérsékletszabályozó dobozba és lámpa dobozba.

6. Azt tanácsoljuk, hogy a termék fémrészeit (pl.: külső ajtó, vitrin oldalak) szilikon wax-szal (autó polírozó) polírozza, hogy a minőségi fedőfestést megóvja.

7. Rendszeresen ellenőrizze az ajtó tömítéseket, hogy meggyőződjön róla, hogy tiszták és ételmaradékoktól mentesek.

8. Soha:

- Ne tisztítsa a készüléket arra alkalmatlan anyagokkal, pl.: petróleum alapú termékekkel.
- Semmilyen körülmények között ne szolgáltatassa ki magas hőnek.

- Ne tisztítsa, súrolja, stb., csiszoló anyaggal. Soha ne használjon gázolajat vagy hasonló anyagokat tisztítási célra.

9. A fagyasztó áramkör külső részeit (kompresszor, kondenzátor, csatlakozó, csövek) finom kefével vagy vákuum-tisztítóval tisztítsa. A folyamat alatt ügyeljen arra, hogy ne csavarja ki a csöveket vagy ne távolítsa el a kábeleket.

10. Ha befejezte a tisztítást, rendezze vissza a kiegészítőket a helyükre és csatlakoztassa a készüléket a fő áramkörhöz.

Zavarelhárítási útmutató

A készülék nem működik

- ◆ Áramszünet esetén.
- ◆ Az áramellátó zsinór dugója nem jól illeszkedik a konnektorba.
- ◆ Kiolvadt a biztosíték.
- ◆ A termosztát Stop(állj) állapotban van (O).

A készülék nem hűt

- ◆ Hosszabb ideig tartó áramszünet esetén.
- ◆ Friss élelmiszert fagyasztva tettek be.
- ◆ A készülék nem helyesen lett elhelyezve.
- ◆ A készülék túl közel van egy hőforráshoz.
- ◆ A termosztát nincs a megfelelő állásban.
- ◆ A környezet hőmérséklete túl magas.

A belső világítás nem működik, ha a kompresszor megy

- ◆ Kiegett lámpa. Húzza ki a készüléket, vegye ki a lámpát, cserélje ki másikra és szerelje be.
- ◆ A kapcsoló "ki" állapotban van vagy nem működik.
- ◆ A kapcsoló nem működik.

A készülék túl hangos

- ◆ A készülék nem helyesen lett beüzemelve.
- ◆ A hátsó cső érintkezik vagy vibrál.
- ◆ Az üvegek vagy egyéb edények érintkeznek belül.

Víz van a vitrin belső oldalán.


- ◆ A vízlecsapoló csatorna eltömődött.

Ha következi a fent említett információkat és nem sikerül megtalálni a hibát, kérem lépjen kapcsolatba a szervízzel.

Figyelem!

Soha ne próbálja meg egyedül a készülék vagy elektromos részek javítását. Bármilyen képzetlen személy általi javítás veszélyes lehet a felhasználóra és a garancia elvesztését eredményezheti.



A terméken vagy a csomagoláson található  ábra azt jelzi, hogy a termék nem kezelhető háztartási hulladékként, hanem a megfelelő, az elektromos és elektronikus felszerelések újrahasznosítására létesült begyűjtő pontokban kell leadni. Ha gondoskodik a termék megfelelő leselejtezéséről, segít megelőzni azokat a környezetre és egészségre káros hatásokat, amelyeket a termék nem megfelelő leselejtezése eredményezne. A termék leselejtezésével kapcsolatos további részletekért forduljon a lakóhelyén található háztartási hulladék begyűjtőhöz vagy az áruházhoz, ahol a terméket megvásárolta.

Urime për zgjedhjen tuaj në Pajisjen e Cilësisë **BEKO**, të ndërtuar për t'ju dhënë shumë vjet shërbim.

“Frigorifer vertikal për punë të rënda” janë pajisje për të ftohur pije dhe për të mbajtur ushqime të freskëta. Ato janë të pajisura me derë transparente prej xhami sigurie.

Ka një ndërtim të ri dhe tërheqës dhe është prodhuar sipas rregullave ndërkombëtare të cilat ju garantojnë kapacitete punimi dhe sigurie.

Për ta përdorur frigoriferin tuaj 'dritare ekspozimi' në kushtet më të mira, ju lutem lexoni me kujdes këto udhëzime përdorimi.

Pjesët origjinale të ndërrimit do të ofrohen për 10 vite, pas datës së blerjes së produktit.

Ky aparat nuk parashikohet për përdorim nga persona me aftësi të kufizuara fizike, shqisore ose mendore ose mungesë përvojë dhe njohurie, përderisa nuk mbikëqyren ose udhëzohen për përdorimin e aparatit nga një person përgjegjës për sigurinë e tyre.

Fëmijët duhet të mbikëqyren për të siguruar që të mos luajnë me aparatit.

Ky nuk është një produkt shtëpiak, ky është një produkt komercial për përdorim profesional.

Këshilla për riciklimin e frigoriferit tuaj të vjetër

Nëse frigoriferi i ri 'dritare ekspozimi' zëvendëson një të vjetër, duhet t'i përmbaheni disa gjërave.

Pajisjet e vjetra nuk janë mbeturina pa vlerë. Hedhja e tyre në përputhje me mbrojtjen e mjedisit lejon rikuperimin e disa lëndëve të para të rëndësishme.

Çfarë mund të bëni që të hidhet pajisja juaj e vjetër:

- shkëputeni njësinë nga energjia,
- hiqeni kabllin e korrentit (pritëni),
- hiqni kyçet e mundshme në derë me qëllim që të mos lejoni që fëmijët të bllokohen brenda kur luajnë duke vënë jetën e tyre në rrezik.

Frigoriferët dhe ngrirësit përmbajnë materiale izolimi dhe agjentë ftohës që kërkojnë një riciklim të përshtatshëm.

Riciklimi i ambalazhit

Paralajmërim!

- Mos lejoni që fëmijë të luajnë me ambalazhin ose me pjesë të tij. Ekziston rreziku i asfiksionit me pjesë të kartonave të palosur dhe me fletët plastike.
- Që të merret në gjendje të mirë, pajisja është e mbrojtur me ambalazh të përshtatshëm. Të gjitha materialet e mbështjelljes janë në përputhje me mjedisin dhe mund të riciklohen. Ju lutem na ndihmoni për ta ricikluar ambalazhin duke e mbrojtur mjedisin!

E rëndësishme!

Lexoni me kujdes të gjitha këto udhëzime para se ta vini në punë pajisjen. Këto udhëzime përmbajnë informacione të rëndësishme në lidhje me instalimin, përdorimin dhe mirëmbajtjen e pajisjes. Prodhuesi nuk do të mbajë përgjegjësi nëse i përmbaheni udhëzimeve në këtë manual. Mbajeni këtë manual në një vend të sigurt për t'iu konsultuar nëse është e nevojshme. Për më tepër, mund të jetë i dobishëm për një përdorues tjetër.

Paralajmërim!

Pajisja duhet të përdoret vetëm për qëllimet për të cilat është prodhuar, në hapësira të përshtatshme, të mbahet larg nga shiu, lagështia dhe faktorët e tjerë atmosferikë.

Udhëzime transporti

Pajisja duhet të transportohet vetëm në pozicion vertikal. Ambalazhi duhet të jetë i paprekur gjatë transportit. Para se ta lidhni pajisjen në prizë, lëreni të paktën 4 orë. Nëse nuk i përmbaheni këtyre udhëzimeve, kjo mund të çojë në dëmtim të motorkompresorit dhe pajisja mund të dalë jashtë garancisë.

Masa sigurie dhe këshilla të përgjithshme

Nëse vini re ndonjë defekt ju lutem mos e vini pajisjen në punë.

- ♦ Mos i lini dyert të hapura më shumë nga sa është e nevojshme për të nxjerrë dhe vendosur brenda ushqime.
- ♦ Mos mbani brenda produkte që përmbajnë gazra të djegshme ose shpërthyes.
- ♦ Mos i lini fëmijët të luajnë ose të fshihen brenda pajisjes.
- ♦ Para çdo veprimi pastrimi, hiqeni pajisjen nga priza.

Për ta hequr pajisjen nga priza, tërhiqni spinën, jo kabllin!

- ♦ Mos hipni mbi pajisje, mos u varni mbi derë, raftet.
- ♦ Mos e përdorni pajisjen pranë ngrohëseve, pajisjeve të gatimit ose burimeve të tjera të nxehtësisë.
- ♦ Për të parandaluar çdo dëmtim ose aksident të mundshëm, mos vendosni mbi pajisje (sipër) asnjë objekt të lëvizshëm që përmban lëngje ose burime zjarri (vazo lulesh, poçe lulesh, qirinj, llamba, etj.)
- ♦ Mos e lini ushqimin në aparat në qoftë se ai nuk punon.

- ♦ Nuk rekomandohet që ta ndaloni pajisjen nëse nuk do ta përdorni për pak ditë. Nëse nuk do ta përdorni për një periudhë më të gjatë, ju lutem veproni si më poshtë:
 - hiqeni aparatin nga priza;
 - zbrazeni frigoriferin dhe ngrirësin;
 - shkrijeni dhe pastrojeni pajisjen;
 - lërini dyert të hapura për të shmangur erërat e pakëndshme.
- ♦ Kablloja elektrike mund të zëvendësohet vetëm nga një person i autorizuar.
- ♦ Nëse kabli i energjisë është dëmtuar, ai duhet të ndërrohet nga prodhuesi, agjenti i tij i shërbimit ose persona të ngjashëm të kualifikuar për të shmangur rreziqet.

Instalimi

- ♦ Kjo pajisje është bërë për përdorim në temperatura ambienti deri në 30°C dhe lagështi 55%, Kategoria klimaterike 4 (në përputhje me Reg EU 1095-2005), e cila duhet të mbahet relativisht konstante. Montojeni pajisjen larg nga burimet e nxehtësisë. Vendosja e pajisjes në një dhomë të ngrohtë, ekspozimi direkt në dritën e diellit ose vendosja pranë një burimi nxehtësie (ngrohëse, sobë, furrë) çon në rritje të konsumit të energjisë dhe ulje të jetëgjatësisë të pajisjes.
- ♦ Ju lutem zbatoni distancat minimale të mëposhtme:
 - 100 cm nga sobat me qymyr ose naftë;
 - 150 cm nga sobat elektrike dhe/ose me gaz;
 Siguroni qarkullim të lirë të ajrit rrotull pajisjes, duke zbatuar distancat e përmendura në vizatime (**Artikujt 2**).
- ♦ Vendoseni kapakun e pasmë të ajrimit prapa frigoriferit tuaj për të vendosur distancën midis frigoriferit dhe murit (**Artikulli 3**).
- ♦ Vendoseni pajisjen në një vend të thatë dhe të ajrosur mirë, në nivel perfekt duke rregulluar këmbët e para nëse është e nevojshme (**Artikulli 4**).

- ♦ Çdo mobile “e varur” do të montohet në një distancë minimale 10 cm mbi pajisje. E njëjta distancë do të sigurohet në rast të një qosheje ose elementi tjetër ndërtimi.
- ♦ Pajisja nuk është bërë që të integrohet në mobilie.
- ♦ Ju lutem montoni aksesoret.

Lidhja elektrike

- Pajisja juaj është ndërtuar që të punojë në tension mono-fazë prej 220-240V, 50Hz. Para se ta lidhni pajisjen me energjinë, sigurohuni që parametrat e energjisë të shtëpisë (tensioni, lloji i rrymës dhe frekuenca) të jenë në përputhje me parametrat e punimit të pajisjes.
- ♦ Informacionet në lidhje me tensionin e energjisë dhe energjinë e tërhequr janë dhënë në etiketën e vlerave të vendosur anash, të cilat mund të shihen pasi të keni tërhequr krisperin.
 - ♦ Instalimi elektrik duhet të përputhet me kërkesat ligjore.
 - ♦ Prodhuesi nuk mban përgjegjësi për problemet e mundshme që u ndodhin personave, kafshëve ose pronave për shkak të mos zbatimit të kushteve të përmendura më sipër.
 - ♦ Pajisja ka një kabëll energjie dhe një spinë (tipi European, i shënuar 10/16A), me tokëzim dysh. Në qoftë se spina nuk është e të njëjtit tip me prizën, kërkojini një elektrikësi ta ndërrojë.
 - ♦ Mos përdorni adaptorë.

Ndezja e pajisjes

- Para se ta ndizni pajisjen, pastrojeni pjesën e brendshme të pajisjes. (Shiko “Pastrimi dhe kujdesi”).
- Pasi të bëni këtë, lidhni pajisjen me energjinë. Rregulloni butonat e termostatit në një pozicion mesatar.
- Për ndriçim brenda, rregulloni butonin e bllokut të sinjalizimit në pozicionin mesatar.
- Lëreni pajisjen të punojë rreth 2 orë para se të vendosni brenda ushqime ose pije.

Rregullimi i temperaturës

Temperatura e brendshme duhet të rregullohet me anë të butonit nga termostati.

Temperaturat e arritura brenda pajisjes mund të luhatin në varësi të kushteve të përdorimit: vendi, temperatura e ambientit, shpeshtësia e hapjes së dyerve, sasia e ushqimeve.

Pozicioni i butonit të termostatit do të ndryshojë në varësi të këtyre kushteve. Në përgjithësi, për një temperaturë ambienti prej 30°C, butoni i termostatit do të vendoset në pozicion mesatar. Ky pozicion mund të rregullohet me radhë drejt plusit ose minusit sipas dëshirës të përdoruesit

Termostati (i vendosur në pjesën e pasme të pajisjes, në grilën e ajrimit) garanton gjithashtu shkëmbimin automatik të frigoriferit. Gjatë periudhës të shkëmbimit, temperatura brenda frigoriferit mund të arrijë deri në +12°C, por ulet deri në 2-3°C.

Shmangni disa pozicione të butonit të termostatit të cilat mund të përfshijnë një punim të vazhdueshëm të pajisjes.

Përshkrim i pajisjes (Artikulli 1)

- 1 - Çelësi i llambës
- 2 - Kutia e llambës - ndriçimi i brendshëm
- 3 - Ventilatori
- 4 - Rrjetat
- 5 - Kolektori i ujit
- 6 - Ruli mbajtës i derës
- 7 - Këmbë e rregullueshme

Ndërrimi i llambës të brendshme

Hiqeni pajisjen nga priza, nxirreni llambën dhe ndërrojeni me një tjetër.

Llamba(t) e përdorur në këtë pajisje nuk është e përshtatshme për ndriçimin e dhomave të shtëpisë. Qëllimi i kësaj llambe është të ndihmojë përdoruesin të vendosë ushqime në frigorifer/ngjirës në një mënyrë të sigurt dhe të lehtë.

Llambat e përdorura në këtë pajisje duhet t'i rezistojnë kushteve fizike ekstreme si temperaturat nën -20°C.

Ripozicionimi i derës

Veproni në rend numerik. (Artikulli 7).

Shkëmbimi i pajisjes

Shkëmbimi është plotësisht automatik dhe bëhet në periudha të caktuara përpara. Nuk ka nevojë për asnjë ndërhyrje nga ju.

Uji që del grumbullohet në një enë kullimi që ndodhet mbi kompresor. Uji avullon për shkak se ka nxehtësi që del nga punimi (Artikulli 5).

E rëndësishme!

Mbajeni kolektorin dhe tubin e shkëmbimit të pastër për derdhjen e ujit që vjen nga shkëmbimi. Për të bërë këtë, përdorni pjesën e kanalit. Kontrolloni tubin që të jetë përfundimisht me fundin brenda enës të kullimit mbi kompresor me qëllim që të mos lejoni ujin të derdhet mbi lidhjet elektrike ose mbi dysheme (Artikulli 6).

Pastrimi dhe kujdesi

1. Rekomandojmë që ta fikni pajisjen në prizë dhe të hiqni spinën e korrentit para se ta pastroni.

2. Asnjëherë mos përdorni mjete të mprehta ose substanca gërryese, sapun, pastrues shtëpikë, detergjent ose dyll lustrues për pastrim.

3. Përdorni ujë të ngrohtë për të pastruar kabinetin e pajisjes dhe fshijeni me leckë.

4. Përdorni një leckë të njomë me një lugë çaji bikarbonat sode me një masë uji për të pastruar pjesën e brendshme dhe fshijeni me leckë të thatë.

5. Sigurohuni që të mos hyjë ujë në kutinë e kontrollit të temperaturës dhe kutinë e llambës.

6. Rekomandojmë që t'i lustroni pjesët metalike të produktit (p.sh. pjesën e jashtme të derës, anët e kabinetit) me dyll silikon (lustrues makine) për të mbrojtur lustrën e bojës të jashtme me cilësi të lartë.

7. Ushqimi prek tavanin e sirtarit.

>>> Rivendosni ushqimet në sirtar.

8. Asnjëherë:

- Mos e pastroni pajisjen me materiale të papërshtatshme; p.sh. produkte me bazë naftë.
- Mos e ekspozoni në temperatura të larta, në asnjë mënyrë.
- Mos e krruani, fërkoni, etj me materiale gërryese.

Asnjëherë mos përdorni benzinë ose materiale të ngjashme për qëllime pastrimi.

9. Pastroni pjesën e jashtme të qarkut të ftohjes (kompresori, kondensatori, lidhja, tubat) me një furçë të butë ose me fshesë me korrent. Gjatë këtij veprimi, ju lutem bëni kujdes të mos ngacmoni tubat ose të hiqni kabllot.

10. Kur të mbaroni pastrimin, vendosni aksesoret në vendet e tyre dhe lidheni pajisjen me energjinë.

Udhëzime për zgjidhjen e problemeve

Pajisja nuk punon

- ♦ Ka një ndërprerje energjie.
- ♦ Spina e kabllit të energjisë nuk është vendosur mirë në prizë.
- ♦ Siguresa është djegur.
- ♦ Termostati është në pozicionin Stop (O).

Pajisja nuk ftoh

- ♦ Ka pasur një ndërprerje energjie për një kohë më të gjatë.
- ♦ Janë vendosur brenda ushqime të freskëta për t'u ngrirë.
- ♦ Aparati nuk u vendos në mënyrë të saktë.
- ♦ Pajisja është shumë pranë një burimi nxehtësie.
- ♦ Butoni i termostatit nuk është në pozicionin e duhur.
- ♦ Temperatura e ambientit është shumë e lartë.

Ndriçimi i brendshëm nuk punon kur kompresori është në punë

- ♦ Llamba është djegur. Hiqeni pajisjen nga prizja, nxirreni llambën dhe ndërrojeni me një tjetër.
- ♦ Çelësi është në pozicionin e fikur ose është dëmtuar.

♦ Çelësi nuk punon.

Pajisja bën shumë zhurmë

- ♦ Pajisja nuk është instaluar mirë.
- ♦ Tubat e pasmë prekin ose dridhen. Ka një kontakt midis shisheve ose enëve të tjera brenda.

Ka ujë në pjesën e brendshme të kabinetit.


- ♦ Kanali i kullimit të ujit është bllokuar.

Nëse keni ndjekur informacionet e treguara më sipër dhe nuk e keni gjetur defektin, ju lutem kontaktoni me kujdesin ndaj klientit.

Paralajmërim!

Mos u mundoni në asnjë moment të riparoni pajisjen ose pjesët elektrike vetë. Çdo riparim i bërë nga një person jo i aftë është i rrezikshëm për përdoruesin dhe mund të çojë në humbje të garancisë.



Simboli  mbi produktin ose mbi ambalazhin tregon që ky produkt nuk duhet të trajtohet si mbeturinë shtëpiake. Në vend të kësaj duhet të dorëzohet në pikën e përshtatshme mbledhëse për riciklimin e aparateve elektrike dhe elektronike. Duke siguruar që ky produkt të hidhet siç duhet, ndihmoni të parandalohen pasoja të mundshme negative për mjedisin dhe shëndetin e njeriut, të cilat mund të shkaktohen ndryshe nga hedhja e papërshtatshme e këtij produkti. Për informacione më të hollësishme për riciklimin e këtij produkti, ju lutem kontaktoni zyrën lokale të qytetit tuaj, shërbimin tuaj të mënjanimit të

4577370000/AP
EN,PL,CZ,SK,HU,AL

www.beko.com