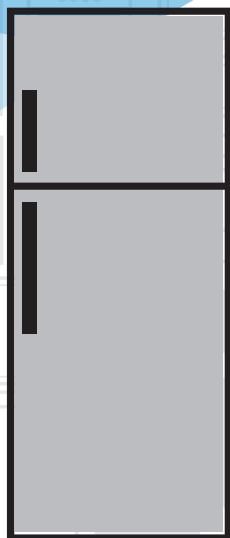


Refrigerator

User manual



DN 147120

DN 147120X

EN | AR |

beko

Please read this user manual first!

Dear Customer,

We hope that your product, which has been produced in modern plants and checked under the most meticulous quality control procedures, will provide you an effective service.

Therefore, read this entire user manual carefully before using the product and keep it as a reference. If you handover the product to someone else, give the user manual as well.

The user manual will help you use the product in a fast and safe way.

- Read the manual before installing and operating the product.
- Make sure you read the safety instructions.
- Keep the manual in an easily accessible place as you may need it later.
- Read the other documents given with the product.

Remember that this user manual is also applicable for several other models. Differences between models will be identified in the manual.

Explanation of symbols

Throughout this user manual the following symbols are used:

 Important information or useful tips.

 Warning against dangerous conditions for life and property.

 Warning against electric voltage.

1 Your refrigerator **4**

1 Your refrigerator **5**

2 Important Safety Warnings **6**

Intended use 6
General safety 6
For products with a 9
water dispenser; 9
Child safety 9
Compliance with WEEE Directive and
Disposing of the Waste Product: 9
Package information 9
HC warning 10
Things to be done for
energy saving 10
Recommendations for the
fresh food compartment 10

3 Installation **11**

Points to be paid attention to when
the relocation of the refrigerator 11
Electrical connection 11
Disposing of the packaging 12
Disposing of your old refrigerator 12
Placing and Installation 12
Installing the lower ventilation
cover 13
Changing the illumination lamp 13
Door Open Warning 13
Adjusting the legs 13

4 Preparation **14**

5 Using your refrigerator **15**

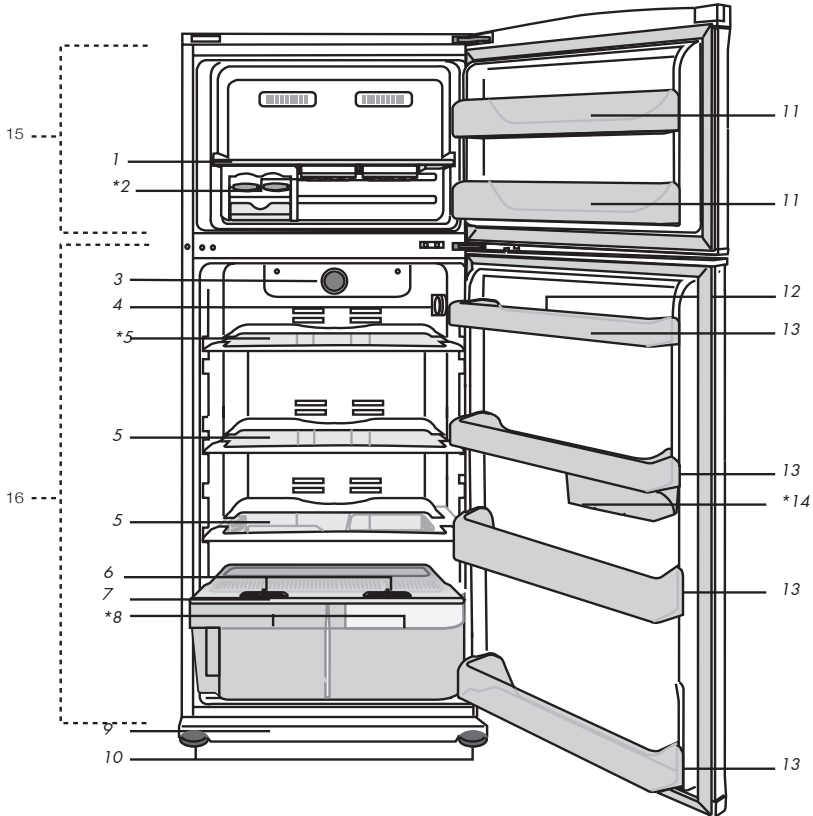
Temperature setting button 15
Setting the temperature of
your refrigerator 15
Dual cooling system 15
Dual protection 15
Vacation Function 16
Icematic and ice storage
container 16
Crisper humidity control sliders 17
Making ice 17
Odour filter 17
Using the rotary crisper (in
some models) 18
Rotary storage container 18
Reversing the doors 19
Reversing the doors 20
Freezing fresh food 21
Recommendations for preservation
of frozen food 21
Placing the food 21
Deep-freeze information 22

6 Maintenance and cleaning **23**

Protection of plastic surfaces 23

7. Troubleshooting **24**

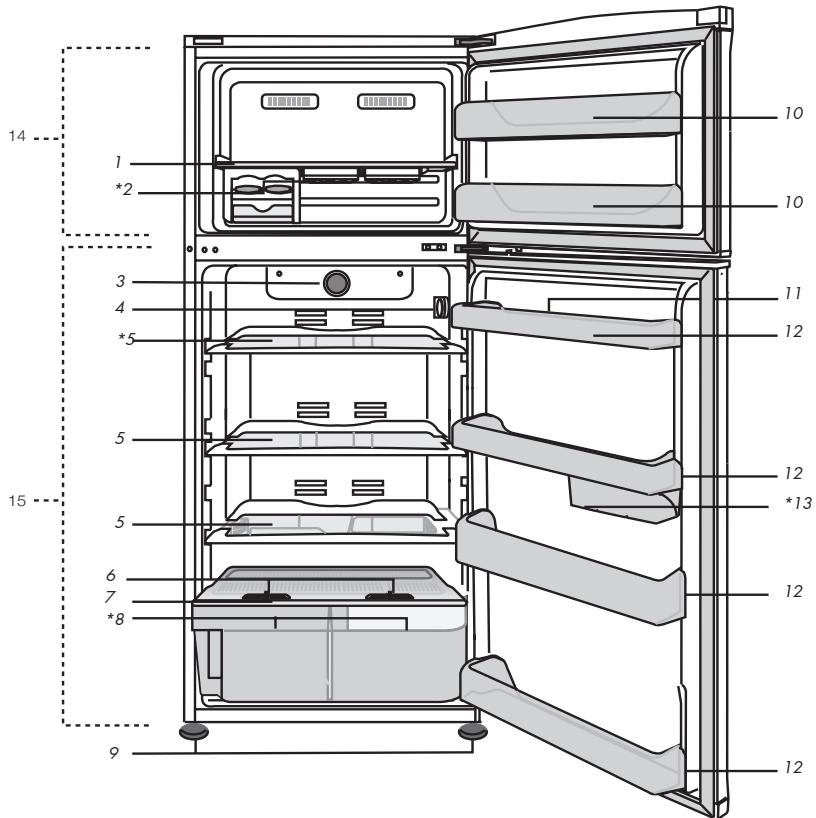
1 Your refrigerator



- 1. Freezer compartment shelf
 - 2. Ice storage container
 - 3. Odour filter (in the air duct)
 - 4. Temperature setting button
 - 5. Adjustable glass shelves
 - 6. Crisper humidity control sliders
 - 7. Crisper cover
 - 8. Crisprs
 - 9. Lower ventilation cover
 - 10. Adjustable legs
 - 11. Freezer compartment door shelf
 - 11. Freezer compartment door shelf
 - 12. Egg holders
 - 13. Fridge compartment door shelves
 - 13. Fridge compartment door shelves
 - *14. Sliding storage containers
 - 15. Freezer compartment
 - 16. Fridge compartment
- * OPTIONAL**

Figures that take place in this instruction manual are schematic and may not correspond exactly with your product. If the subject parts are not included in the product you have purchased, then it is valid for other models.

1 Your refrigerator



1. Freezer compartment shelf
2. Ice storage container
3. Odour filter (in the air duct)
4. Temperature setting button
5. Adjustable glass shelves
6. Crisper humidity control sliders
7. Crisper cover
8. Crispers

9. Adjustable legs
10. Freezer compartment door shelf
11. Egg holders
12. 1 Fridge compartment door shelves
13. Sliding storage containers
14. Freezer compartment
15. Fridge compartment

* OPTIONAL

Figures that take place in this instruction manual are schematic and may not correspond exactly with your product. If the subject parts are not included in the product you have purchased, then it is valid for other models.

2 Important Safety Warnings

Please review the following information. Failure to observe this information may cause injuries or material damage. Otherwise, all warranty and reliability commitments will become invalid.

Original spare parts will be provided for 10 years, following the product purchasing date.

Intended use

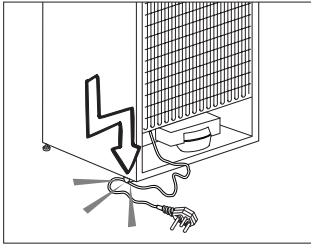
This product is intended to be used

- indoors and in closed areas such as homes;
- in closed working environments such as stores and offices;
- in closed accommodation areas such as farm houses, hotels, pensions.
- It should not be used outdoors.

General safety

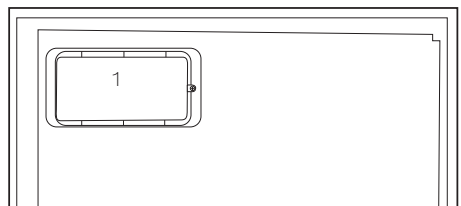
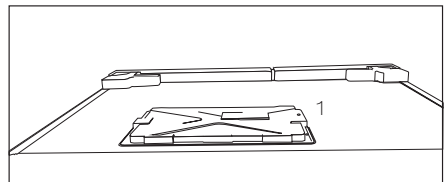
- When you want to dispose/ scrap the product, we recommend you to consult the authorized service in order to learn the required information and authorized bodies.
- Consult your authorized service for all your questions and problems related to the refrigerator. Do not intervene or let someone intervene to the refrigerator without notifying the authorised services.
- For products with a freezer compartment; Do not eat cone ice cream and ice cubes immediately after you take them out of the freezer compartment! (This may cause frostbite in your mouth.)
- For products with a freezer compartment; Do not put bottled and canned liquid beverages in the freezer compartment. Otherwise, these may burst.
- Do not touch frozen food by hand; they may stick to your hand.
- Unplug your refrigerator before cleaning or defrosting.
- Vapor and vaporized cleaning materials should never be used in cleaning and defrosting processes of your refrigerator. In such cases, the vapor may get in contact with the electrical parts and cause short circuit or electric shock.
- Never use the parts on your refrigerator such as the door as a means of support or step.
- Do not use electrical devices inside the refrigerator.
- Do not damage the parts, where the refrigerant is circulating, with drilling or cutting tools. The refrigerant that might blow out when the gas channels of the evaporator, pipe extensions or surface coatings are punctured causes skin irritations and eye injuries.
- Do not cover or block the ventilation holes on your refrigerator with any material.
- Electrical devices must be repaired by only authorised persons. Repairs performed by incompetent persons create a risk for the user.

- In case of any failure or during a maintenance or repair work, disconnect your refrigerator's mains supply by either turning off the relevant fuse or unplugging your appliance.
- Do not pull by the cable when pulling off the plug.
- Ensure highly alcoholic beverages are stored securely with the lid fastened and placed upright.
- Never store spray cans containing flammable and explosive substances in the refrigerator.
- Do not use mechanical devices or other means to accelerate the defrosting process, other than those recommended by the manufacturer.
- This product is not intended to be used by persons with physical, sensory or mental disorders or unlearned or inexperienced people (including children) unless they are attended by a person who will be responsible for their safety or who will instruct them accordingly for use of the product
- Do not operate a damaged refrigerator. Consult with the service agent if you have any concerns.
- Electrical safety of your refrigerator shall be guaranteed only if the earth system in your house complies with standards.
- Exposing the product to rain, snow, sun and wind is dangerous with respect to electrical safety.
- Contact authorized service when there is a power cable damage to avoid danger.
- Never plug the refrigerator into the wall outlet during installation. Otherwise, risk of death or serious injury may arise.
- This refrigerator is intended for only storing food items. It must not be used for any other purpose.
- Label of technical specifications is located on the left wall inside the refrigerator.
- Never connect your refrigerator to electricity-saving systems; they may damage the refrigerator.
- If there is a blue light on the refrigerator, do not look at the blue light with optical tools.
- For manually controlled refrigerators, wait for at least 5 minutes to start the refrigerator after power failure.
- This operation manual should be handed in to the new owner of the product when it is given to others.
- Avoid causing damage on power cable when transporting the refrigerator. Bending cable may cause fire. Never place heavy objects on power cable. Do not touch the plug with wet hands when plugging the product



- Do not plug the refrigerator if the wall outlet is loose.
- Water should not be sprayed on inner or outer parts of the product for safety purposes.
- Do not spray substances containing inflammable gases such as propane gas near the refrigerator to avoid fire and explosion risk.
- Never place containers filled with water on top of the refrigerator; in the event of spillages, this may cause electric shock or fire.
- Do not overload the refrigerator with food. If overloaded, the food items may fall down and hurt you and damage refrigerator when you open the door.
- Never place objects on top of the refrigerator; otherwise, these objects may fall down when you open or close the refrigerator's door.
- As they require a precise temperature, vaccines, heat-sensitive medicine and scientific materials and etc. should not be kept in the refrigerator.
- If not to be used for a long time, refrigerator should be unplugged. A possible problem

- in power cable may cause fire.
- The plug's tip should be cleaned regularly with a dry cloth; otherwise, it may cause fire.
- Refrigerator may move if adjustable legs are not properly secured on the floor. Properly securing adjustable legs on the floor can prevent the refrigerator to move.
- When carrying the refrigerator, do not hold it from door handle. Otherwise, it may be snapped.
- When you have to place your product next to another refrigerator or freezer, the distance between devices should be at least 8cm. Otherwise, adjacent side walls may be humidified.
- The product shall never be used while the compartment which is located at the top or back of your product and in which electronic boards are available (electronic board box cover) (1) is open.



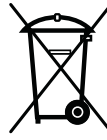
For products with a water dispenser;

- Pressure for cold water inlet shall be maximum 90 psi (6.2 bar). If your water pressure exceeds 80 psi (5.5 bar), use a pressure limiting valve in your mains system. If you do not know how to check your water pressure, ask for the help of a professional plumber.
- If there is risk of water hammer effect in your installation, always use a water hammer prevention equipment in your installation. Consult Professional plumbers if you are not sure that there is no water hammer effect in your installation.
- Do not install on the hot water inlet. Take precautions against the risk of freezing of the hoses. Water temperature operating interval shall be 33°F (0.6°C) minimum and 100°F (38°C) maximum.
- Use only potable water.

Child safety

- If the door has a lock, the key should be kept away from reach of children.
- Children must be supervised to prevent them from tampering with the product.

Compliance with WEEE Directive and Disposing of the Waste Product:



This product complies with EU WEEE Directive (2012/19/EU). This product bears a classification symbol for waste electrical and electronic equipment (WEEE).

This product has been manufactured with high quality parts and materials which can be reused and are suitable for recycling. Therefore, do not dispose the product with normal domestic waste at the end of its service life. Take it to a collection point for the recycling of electrical and electronic equipment. Please consult your local authorities to learn the nearest collection point. Help protect the environment and natural resources by recycling used products. For children's safety, cut the power cable and break the locking mechanism of the door, if any, so that it will be non-functional before disposing of the product.

Package information

Packaging materials of the product are manufactured from recyclable materials in accordance with our National Environment Regulations. Do not dispose of the packaging materials together with the domestic or other wastes. Take them to the packaging material collection points designated by the local authorities.

Do not forget...

Any recycled substance is an indispensable matter for nature and our national asset wealth.

If you want to contribute to the re-evaluation of the packaging materials, you can consult to your environmentalist organizations or the municipalities where you are located.

HC warning

If your product's cooling system contains R600a:

This gas is flammable. Therefore, pay attention to not damaging the cooling system and piping during usage and transportation. In the event of damage, keep your product away from potential fire sources that can cause the product catch a fire and ventilate the room in which the unit is placed.

Ignore this warning if your product's cooling system contains R134a.

Type of gas used in the product is stated in the type label which is on the left wall inside the refrigerator.

Never throw the product in fire for disposal.

Things to be done for energy saving

- Do not leave the doors of your refrigerator open for a long time.
- Do not put hot food or drinks in your refrigerator.
- Do not overload your refrigerator so that the air circulation inside of it is not prevented.
- Do not install your refrigerator under direct sunlight or near heat emitting appliances such as ovens, dishwashers or radiators. Keep your refrigerator at least 30cm away from heat emitting sources and at least 5cm from electrical ovens.
- Pay attention to keep your food in closed containers.
- For products with a freezer compartment; You can store maximum

amount of food items in the freezer when you remove the shelf or drawer of the freezer. Energy consumption value stated for your refrigerator has been determined by removing freezer shelf or drawer and under maximum load. There is no harm to use a shelf or drawer according to the shapes and size of food to be frozen.

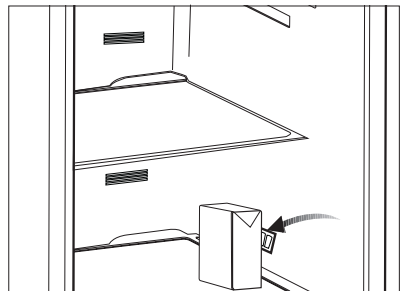
- Thawing frozen food in fridge compartment will both provide energy saving and preserve the food quality.

Recommendations for the fresh food compartment

***May not be available in all models**

Do not allow the food to touch the temperature sensor in fresh food compartment. To allow the fresh food compartment keep its ideal storage temperature, sensor must not be hindered by food.

Do not place hot foods in the product.



3 Installation

⚠ In case the information which are given in the user manual are not taken into account, manufacturer will not assume any liability for this.

Points to be paid attention to when the relocation of the refrigerator

1. Your refrigerator should be unplugged. Before transportation of your refrigerator, it should be emptied and cleaned.

2. Before it is re-packaged, shelves, accessories, crisper, etc. inside your refrigerator should be fixed with adhesive tape and secured against impacts. Package should be bound with a thick tape or sound ropes and the transportation rules on the package should be strictly observed.

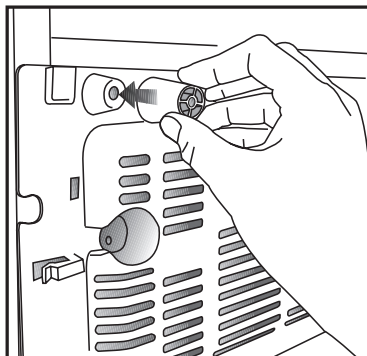
3. Original packaging and foam materials should be kept for future transportations or moving.

Before you start the refrigerator,

Check the following before you start to use your refrigerator:

1. Attach 2 plastic wedges as illustrated below. Plastic wedges are intended to keep the distance which will ensure the air circulation between your refrigerator and the wall. (The picture is drawn up as a representation and it is not identical with your product.)

2. Clean the interior of the refrigerator as recommended in the "Maintenance and cleaning" section.



3. Connect the plug of the refrigerator to the wall socket. When the fridge door is opened, fridge internal lamp will turn on.

4. When the compressor starts to operate, a sound will be heard. The liquid and gases sealed within the refrigeration system may also give rise to noise, even if the compressor is not running and this is quite normal.

5. Front edges of the refrigerator may feel warm. This is normal. These areas are designed to be warm to avoid condensation.

Electrical connection

Connect your product to a grounded socket which is being protected by a fuse with the appropriate capacity.

Important:

The connection must be in compliance with national regulations.

- The power plug must be easily accessible after installation.
- Electrical safety of your refrigerator shall be guaranteed only if the earth system in your house complies with standards.

- The voltage stated on the label located at left inner side of your product should be equal to your network voltage.
- Extension cables and multi plugs must not be used for connection.

⚠ A damaged power cable must be replaced by a qualified electrician.

⚠ Product must not be operated before it is repaired! There is the risk of electric shock!

Disposing of the packaging

The packing materials may be dangerous for children. Keep the packing materials out of the reach of children or dispose of them by classifying them in accordance with the waste instructions stated by your local authorities. Do not throw away with regular house waste, throw away on packaging pick up spots designated by the local authorities.

The packing of your refrigerator is produced from recyclable materials.

Disposing of your old refrigerator

Dispose of your old refrigerator without giving any harm to the environment.

- You may consult your authorized dealer or waste collection center of your municipality about the disposal of your refrigerator.

Before disposing of your refrigerator, cut out the electric plug and, if there are any locks on the door, make them inoperable in order to protect children against any danger.

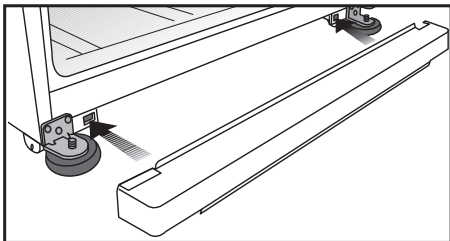
Placing and Installation

⚠ If the entrance door of the room where the refrigerator will be installed is not wide enough for the refrigerator to pass through, then call the authorized service to have them remove the doors of your refrigerator and pass it sideways through the door.

1. Install your refrigerator to a place that allows ease of use.
2. Keep your refrigerator away from heat sources, humid places and direct sunlight.
3. There must be appropriate air ventilation around your refrigerator in order to achieve an efficient operation. If the refrigerator is to be placed in a recess in the wall, there must be at least 5 cm distance with the ceiling and at least 5 cm with the wall. Do not place your product on the materials such as rug or carpet.
4. Place your refrigerator on an even floor surface to prevent jolts.

Installing the lower ventilation cover

You can install the lower ventilation cover as illustrated in the figure.



Changing the illumination lamp

To change the Bulb/LED used for illumination of your refrigerator, call your AuthorisedService.

The lamp(s) used in this appliance is not suitable for household room illumination. The intended purpose of this lamp is to assist the user to place foodstuffs in the refrigerator/freezer in a safe and comfortable way. The lamps used in this appliance have to withstand extreme physical conditions such as temperatures below -20°C . (only chest and upright freezer)

Door Open Warning

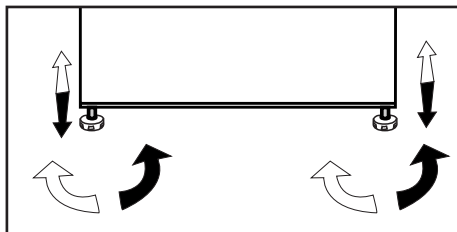
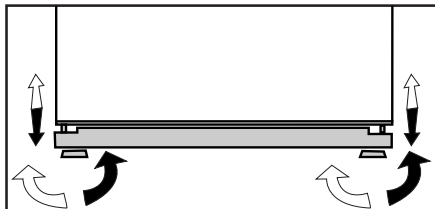
***May not be available in all models**

An audio warning signal will be given when the door of your product is left open for at least 1 minute. This warning will be muted when the door is closed or any of the display buttons (if any) are pressed.

Adjusting the legs

If your refrigerator is unbalanced;

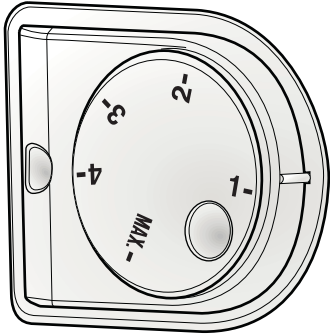
You can balance your refrigerator by turning its front legs as illustrated in the figure. The corner where the leg exists is lowered when you turn in the direction of black arrow and raised when you turn in the opposite direction. Taking help from someone to slightly lift the refrigerator will facilitate this process.



4 Preparation

- Your cooler/freezer should be installed at least 30 cm away from heat sources such as hobs, ovens, central heater and stoves and at least 5 cm away from electrical ovens and should not be located under direct sunlight.
- Please make sure that the interior of your cooler/freezer is cleaned thoroughly.
- If two coolers are to be installed side by side, there should be at least 2 cm distance between them.
- When you operate your cooler/freezer for the first time, please observe the following instructions during the initial six hours.
- Its door should not be opened frequently.
- It must be operated empty without placing any food in it.
- Do not unplug your cooler/freezer. If a power failure occurs out of your control, please see the warnings in the “Recommended solutions for the problems” section.
- The baskets/drawers that are provided with the chill compartment must always be in use for low energy consumption and for better storage conditions.
- Food contact with the temperature sensor in the freezer compartment may increase energy consumption of the appliance. Thus any contact with the sensor(s) must be avoided.
- This product has been designed to function at ambient temperatures up to 43 °C (90 SDgrF). Even if the ambient temperature falls to -15 °C, frozen food in the freezer does not thaw thanks to its Advanced Electronic Temperature Control System. For the first installation, the product should NOT be placed under low ambient temperatures. This is because the freezer cannot go down to standard operation temperature. When reaching continuous operation, the product can be moved to another place. Thus, later you can place your product in the garage or an unheated room without the concern of causing frozen food to get rotten. However, it is likely that above mentioned low temperatures may cause the freezing of the food in the fridge compartment; thus, please consume the food items in the fridge in a controlled way as needed. When ambient temperature goes back to normal, you may change button setting according to your need.
- If the ambient temperature is below 0°C, the food in fridge compartment will freeze. Therefore, we recommend not using the fridge compartment in such low ambient temperatures. You may continue to use the freezer compartment as usual.
- In some models, the instrument panel automatically turns off 5 minutes after the door has closed. It will be reactivated when the door has opened or pressed on any key.
- Due to temperature change as a result of opening/closing the product door during operation, condensation on the door/body shelves and the glass containers is normal.

5 Using your refrigerator



Temperature setting button

Temperature setting button allows you to make the temperature setting of your refrigerator.

Setting the temperature of your refrigerator

The overall temperature setting of your refrigerator is made by means of the temperature setting button on the right wall of the fridge compartment. This button has 4 different temperature setting position. Select the position suitable to your needs.

Dual cooling system

Your refrigerator is equipped with two separate cooling systems to cool the fresh food compartment and freezer compartment. Thus, air in the fresh food compartment and freezer compartment do not get mixed. Thanks to these two separate cooling systems, cooling speed is much higher than other refrigerators. Odours in the compartments do not get mixed. Also additional power saving is provided since the automatic defrosting is performed individually.

Dual protection

Hygiene : Odour filter in the air duct of the fridge compartment helps to clean the air in the refrigerator. This filter reduces the formation of bad odours by means of its coating.

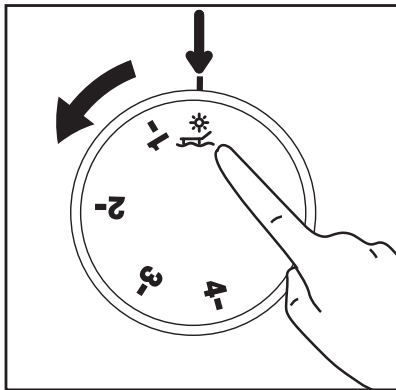
Vacation Function

If the doors of the product are not opened for 12 hours after the thermostat is switched to the hottest position, then the vacation function will be activated automatically.

Open the door of the product or change the thermostat setting to cancel the function.

Vacation function is optional. It may vary depending on the product type and may not be contained in every product.

It is not recommended to store food in cooler compartment when the vacation function is active.



Icematic and ice storage container

***May not be available in all models**
Using the Icematic

Fill the Icematic with water and place it into its seat. Your ice will be ready approximately in two hours. Do not remove the Icematic from its seating to take ice.

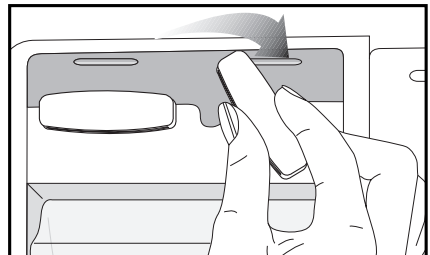
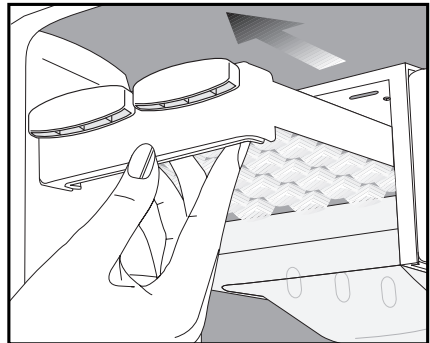
Turn the knobs on the ice reservoirs clockwise by 90 degrees.

Ice cubes in the reservoirs will fall down into the ice storage container below.

You may take out the ice storage container and serve the ice cubes. If you wish, you may keep the ice cubes in the ice storage container.

Ice storage container

Ice storage container is only intended for accumulating the ice cubes. Do not put water in it. Otherwise, it will break.



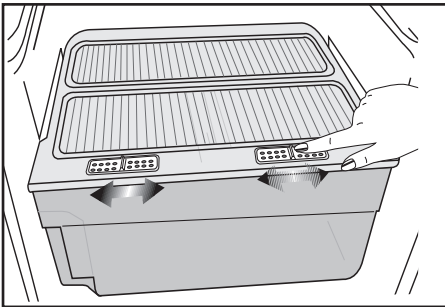
Crisper humidity control sliders

Using the crisper humidity control sliders

Crisper of your refrigerator is designed specially to keep your vegetables fresh without losing their humidity. Cold air circulates basically around the crisper and the amount of the cold air passing through the crisper is controlled by the sliders on the front side of the crisper cover.

You can adjust the humidity control sliders to a suitable position according to the humidity and cooling condition of your food in the crisper.

If you want your food in the crisper to cool more, open the holes of the humidity control sliders and if you want them to cool less and keep their humidity for a longer time, close the holes.



Making ice

***optional**

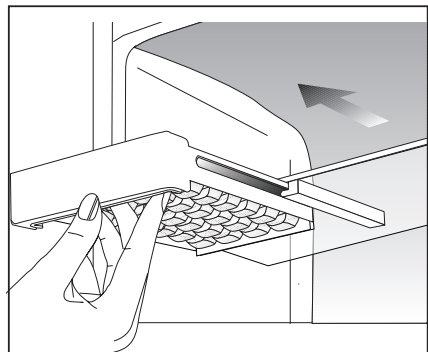
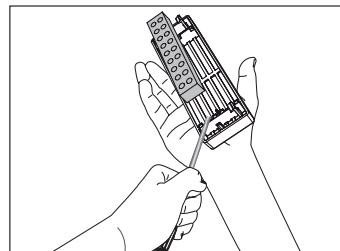
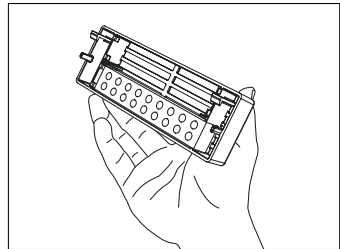
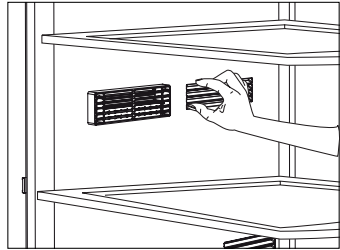
Fill the ice container with water and place it into the freezer compartment. Your ice will be ready approximately in two hours.

You can remove the ice in the ice container by removing it from the freezer and twisting it.

Odour filter

*** OPTIONAL**

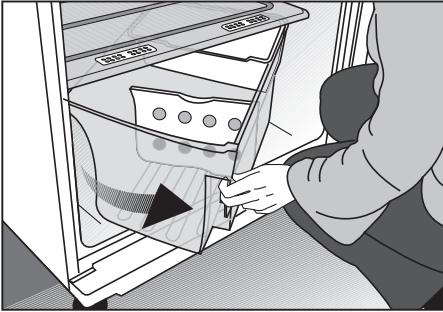
Odour filter in the air duct of the fridge compartment prevents the build-up of unpleasant odours in the refrigerator.



Using the rotary crisper (in some models)

The crisper of your refrigerator which opens with a rotating movement is designed specially to provide ease of usage and allow you to store more vegetables and fruits (large volume) you buy during large shopping.

When you grab and pull the handle on the lower left hand side of the crisper, it will rotate from left to right and open easily. The separator in the crisper will allow you to separate the vegetables and fruits according to their types and prevent them from crushing.

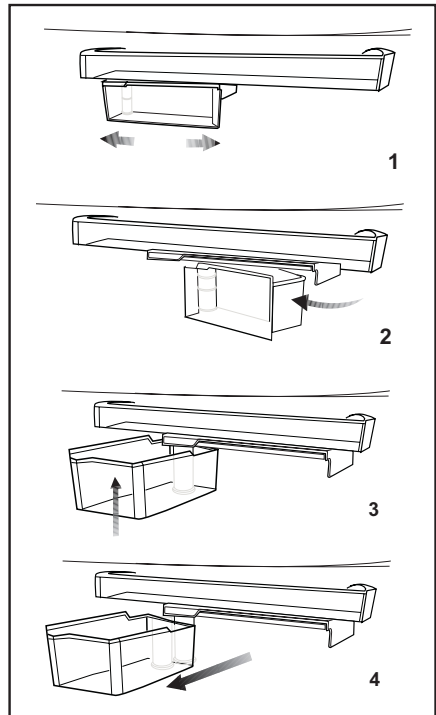


Rotary storage container (in some models)

Sliding body shelf can be moved to left or right in order to allow you place the tall bottles, jars or boxes to the lower shelf (Fig. 1)

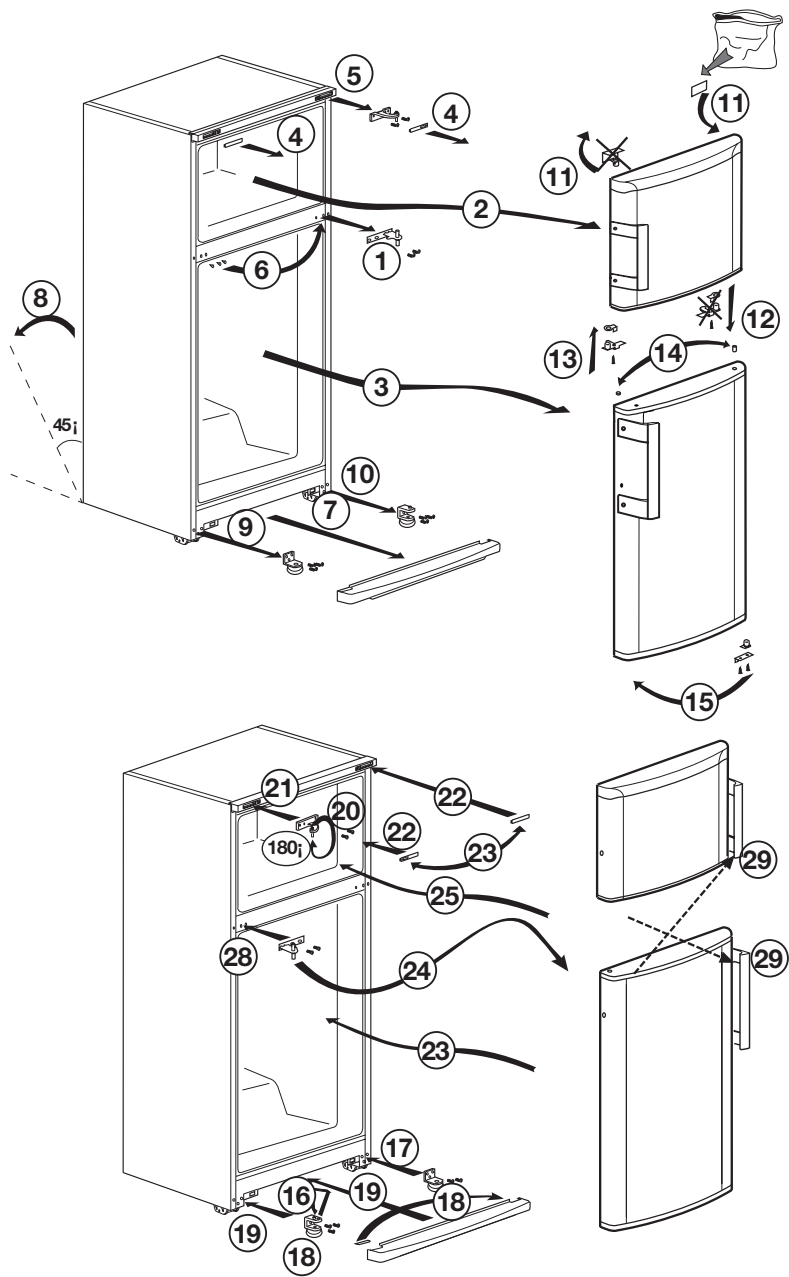
You can reach the food that you have placed into the shelf by grabbing and turning it from its right edge (Fig.2).

When you want to load or remove it to clean, turn it by 90 degrees, raise it up and pull towards yourself (Fig. 3-4).



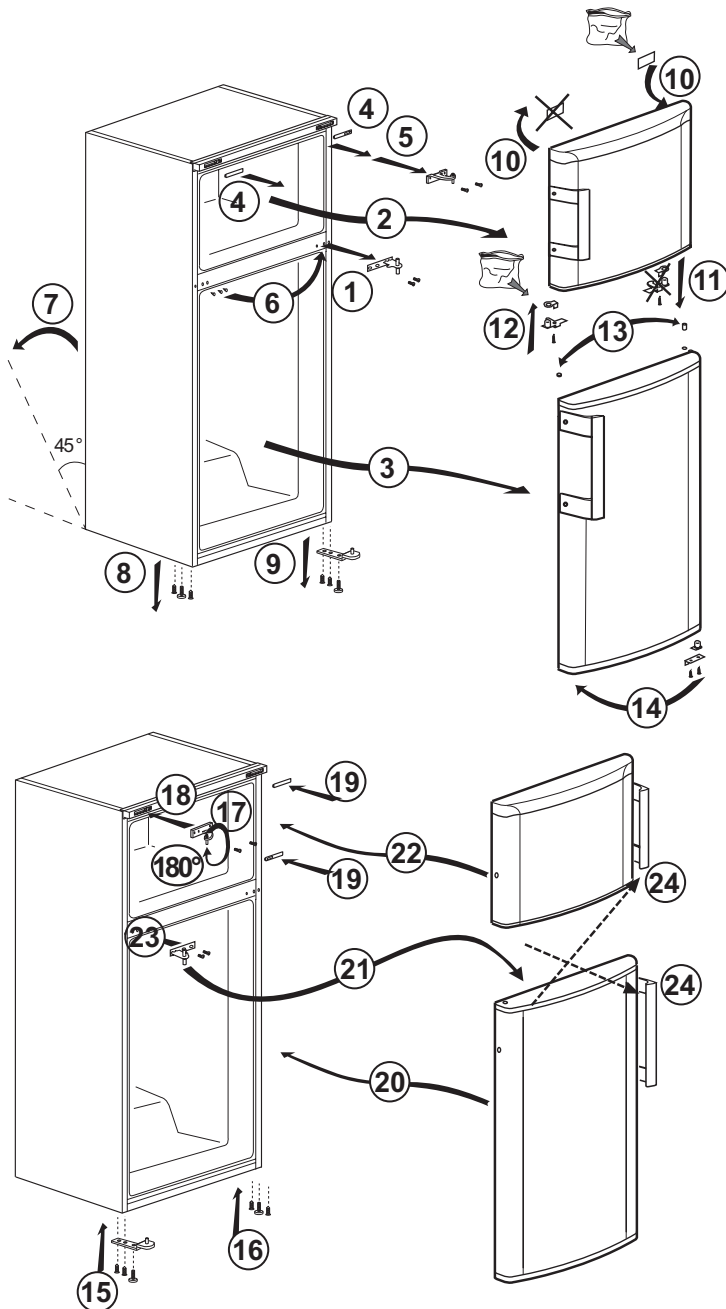
Reversing the doors

Proceed in numerical order .



Reversing the doors

Proceed in numerical order .



Freezing fresh food

- It must be preferred to wrap or cover the food before placing them in the refrigerator.
- Hot food must cool down to the room temperature before putting them in the refrigerator.
- The foodstuff that you want to freeze must be fresh and in good quality.
- Foodstuff must be divided into portions according to the family's daily or meal based consumption needs.
- The foodstuff must be packaged in an airtight manner to prevent them from drying even if they are going to be kept for a short time.
- Materials to be used for packaging must be tear-proof and resistant to cold, humidity, odor, oils and acids and they must also be airtight. Moreover, they must be well closed and they must be made from easy-to-use materials that are suitable for deep freeze usage.
- Frozen food must be used immediately after they are thawed and they should never be re-frozen.
- Please observe the following instructions to obtain the best results.
 1. Do not freeze too large quantities of food at one time. The quality of the food is best preserved when it is frozen right through to the core as quickly as possible.
 2. Placing warm food into the freezer compartment causes the cooling system to operate continuously until the food is frozen solid.
 3. Take special care not to mix already frozen food and fresh food.

Recommendations for preservation of frozen food

- Prepacked commercially frozen food should be stored in accordance with the frozen food manufacturer's instructions for a **★★★★** (4 star) frozen food storage compartment.
- To ensure that the high quality achieved by the frozen food manufacturer and the food retailer is maintained, the following should be remembered:
 1. Put packages in the freezer as quickly as possible after purchase.
 2. Ensure that contents are labeled and dated.
 3. Do not exceed "Use By", "Best Before" dates on the packaging.

Defrosting

The freezer compartment defrosts automatically.

Placing the food

Freezer compartment shelves	Various frozen food such as meat, fish, ice cream, vegetables and etc.
Egg tray	Egg
Fridge compartment shelves	Food in pans, covered plates and closed containers
Fridge compartment door shelves	Small and packaged food or drinks (such as milk, fruit juice and beer)
Crisper	Vegetables and fruits
Freshzone compartment	Delicatessen products (cheese, butter, salami and etc.)

Deep-freeze information

Food must be frozen as rapidly as possible when they are put in a refrigerator in order to keep them in good quality.

It is possible to keep the food for a long time only at -18°C or lower temperatures.

You can keep the freshness of food for many months (at -18°C or lower temperatures in the deep freeze).

WARNING!

- Foodstuff must be divided into portions according to the family's daily or meal based consumption needs.
- Foodstuff must be packaged in an airtight manner to prevent them from drying even if they are going to be kept for a short time.
- Materials necessary for packaging:
- Cold resistant adhesive tape
- Self adhesive label
- Rubber rings
- Pen

Materials to be used for packaging the foodstuff must be tear-proof and resistant to cold, humidity, odor, oils and acids.

Foodstuff to be frozen should not be allowed to come in contact with the previously frozen items to prevent their partial thawing.

Frozen food must be used immediately after they are thawed and they should never be re-frozen.

6 Maintenance and cleaning

- ⚠ Never use gasoline, benzene or similar substances for cleaning purposes.
- ⚠ We recommend that you unplug the appliance before cleaning.
- ⚠ Never use any sharp abrasive instrument, soap, household cleaner, detergent and wax polish for cleaning.
- ℹ Use lukewarm water to clean the cabinet of your refrigerator and wipe it dry.
- ℹ Use a damp cloth wrung out in a solution of one teaspoon of bicarbonate of soda to one pint of water to clean the interior and wipe it dry.
- ⚠ Make sure that no water enters the lamp housing and other electrical items.
- ⚠ If your refrigerator is not going to be used for a long period of time, unplug the power cable, remove all food, clean it and leave the door ajar.
- ℹ Check door seals regularly to ensure they are clean and free from food particles.
- ⚠ To remove door racks, remove all the contents and then simply push the door rack upwards from the base.
- ⚠ Never use cleaning agents or water that contain chlorine to clean the outer surfaces and chromium coated parts of the product. Chlorine causes corrosion on such metal surfaces.
- ⚠ Do not use sharp, abrasive tools, soap, household cleaning agents, detergents, kerosene, fuel oil, varnish etc. to prevent removal and deformation of the prints on the plastic part. Use lukewarm water and a soft cloth for cleaning and then wipe it dry.

Protection of plastic surfaces

- ℹ Do not put the liquid oils or oil-cooked meals in your refrigerator in unsealed containers as they damage the plastic surfaces of your refrigerator. In case of spilling or smearing oil on the plastic surfaces, clean and rinse the relevant part of the surface at once with warm water.

Check this list before contacting the service. Doing so will save you time and money. This list includes frequent complaints that are not related to faulty workmanship or materials. Certain features mentioned herein may not apply to your product.

The refrigerator is not working.

- The power plug is not fully settled. >>> Plug it in to settle completely into the socket.
- The fuse connected to the socket powering the product or the main fuse is blown. >>> Check the fuses.

Condensation on the side wall of the cooler compartment (MULTI ZONE, COOL, CONTROL and FLEXI ZONE).

- The door is opened too frequently >>> Take care not to open the product's door too frequently.
- The environment is too humid. >>> Do not install the product in humid environments.
- Foods containing liquids are kept in unsealed holders. >>> Keep the foods containing liquids in sealed holders.
- The product's door is left open. >>> Do not keep the product's door open for long periods.
- The thermostat is set to too low temperature. >>> Set the thermostat to appropriate temperature.

Compressor is not working.

- In case of sudden power failure or pulling the power plug off and putting back on, the gas pressure in the product's cooling system is not balanced, which triggers the compressor thermic safeguard. The product will restart after approximately 6 minutes. If the product does not restart after this period, contact the service.
- Defrosting is active. >>> This is normal for a fully-automatic defrosting product.

The defrosting is carried out periodically.

- The product is not plugged in. >>> Make sure the power cord is plugged in.
- The temperature setting is incorrect. >>> Select the appropriate temperature setting.
- The power is out. >>> The product will continue to operate normally once the power is restored.

The refrigerator's operating noise is increasing while in use.

- The product's operating performance may vary depending on the ambient temperature variations. This is normal and not a malfunction.

The refrigerator runs too often or for too long.

- The new product may be larger than the previous one. Larger products will run for longer periods.
- The room temperature may be high. >>> The product will normally run for long periods in higher room temperature.
- The product may have been recently plugged in or a new food item is placed inside. >>> The product will take longer to reach the set temperature when recently plugged in or a new food item is placed inside. This is normal.
- Large quantities of hot food may have been recently placed into the product. >>> Do not place hot food into the product.
- The doors were opened frequently or kept open for long periods. >>> The warm air moving inside will cause the product to run longer. Do not open the doors too frequently.

- The freezer or cooler door may be ajar. >>> Check that the doors are fully closed.
- The product may be set to temperature too low. >>> Set the temperature to a higher degree and wait for the product to reach the adjusted temperature.
- The cooler or freezer door washer may be dirty, worn out, broken or not properly settled. >>> Clean or replace the washer. Damaged / torn door washer will cause the product to run for longer periods to preserve the current temperature.

The freezer temperature is very low, but the cooler temperature is adequate.

- The freezer compartment temperature is set to a very low degree. >>> Set the freezer compartment temperature to a higher degree and check again.

The cooler temperature is very low, but the freezer temperature is adequate.

- The cooler compartment temperature is set to a very low degree. >>> Set the freezer compartment temperature to a higher degree and check again.

The food items kept in cooler compartment drawers are frozen.

- The cooler compartment temperature is set to a very low degree. >>> Set the freezer compartment temperature to a higher degree and check again.

The temperature in the cooler or the freezer is too high.

- The cooler compartment temperature is set to a very high degree. >>> Temperature setting of the cooler compartment has an effect on the temperature in the freezer compartment. Wait until the temperature of relevant parts reach the sufficient level by

changing the temperature of cooler or freezer compartments.

- The doors were opened frequently or kept open for long periods. >>> Do not open the doors too frequently.
- The door may be ajar. >>> Fully close the door.
- The product may have been recently plugged in or a new food item is placed inside. >>> This is normal. The product will take longer to reach the set temperature when recently plugged in or a new food item is placed inside.
- Large quantities of hot food may have been recently placed into the product. >>> Do not place hot food into the product.

Shaking or noise.

- The ground is not level or durable. >>> If the product is shaking when moved slowly, adjust the stands to balance the product. Also make sure the ground is sufficiently durable to bear the product.
- Any items placed on the product may cause noise. >>> Remove any items placed on the product.

The product is making noise of liquid flowing, spraying etc.

- The product's operating principles involve liquid and gas flows. >>> This is normal and not a malfunction.

There is sound of wind blowing coming from the product.

- The product uses a fan for the cooling process. This is normal and not a malfunction.

There is condensation on the product's internal walls.

- Hot or humid weather will increase icing and condensation. This is normal and not a malfunction.
- The doors were opened frequently or kept open for long periods. >>> Do not open the doors too frequently; if open,

- The door may be ajar. >>> Fully close the door.

There is condensation on the product's exterior or between the doors.

- The ambient weather may be humid, this is quite normal in humid weather. >>> The condensation will dissipate when the humidity is reduced.

The interior smells bad.

- The product is not cleaned regularly. >>> Clean the interior regularly using sponge, warm water and carbonated water.
- Certain holders and packaging materials may cause odour. >>> Use holders and packaging materials without free of odour.
- The foods were placed in unsealed holders. >>> Keep the foods in sealed holders. Micro-organisms may spread out of unsealed food items and cause malodour. Remove any expired or spoilt foods from the product.

The door is not closing.

- Food packages may be blocking the door. >>> Relocate any items blocking the doors.
- The product is not standing in full upright position on the ground. >>> Adjust the stands to balance the product.
- The ground is not level or durable. >>> Make sure the ground is level and sufficiently durable to bear the product.

The vegetable bin is jammed.

- The food items may be in contact with the upper section of the drawer. >>> Reorganize the food items in the drawer.

If The Surface Of The Product Is Hot.

- High temperatures may be observed between the two doors, on the side panels and at the rear grill while the product is operating. This is normal and does not require service maintenance! Be careful when touching these areas.



WARNING:

If the problem persists after following the instructions in this section, contact your vendor or an Authorised Service. Do not try to repair the product.

<ul style="list-style-type: none"> • يزيد الطقس الحار والرطب من التخليج والتكاثف. وهذا طبيعي ولا يعد ذلك عيباً. • الأبواب مفتوحة جزئياً. تأكد أن الأبواب مغلقة تماماً. • قد تكون الأبواب مفتوحة بصورة متكررة جداً أو قد تكون متروكة مفتوحة لفترة طويلة، افتح الأبواب بتكرار أقل.
<p>تحدث الرطوبة في الإطار الخارجي للثلاجة أو بين الأبواب.</p> <ul style="list-style-type: none"> • قد يكون الطقس رطباً، هذا شيء طبيعي جداً في الأجواء الرطبة. وعندما تكون الرطوبة أقل؛ يختفي التكثف.
<p>توجد رائحة كريهة داخل الثلاجة.</p> <ul style="list-style-type: none"> • يجب تنظيف الجزء الداخلي من الثلاجة. نظف داخل الثلاجة بقطعة أسفنجية وماء دافئ أو ماء مكربن. • قد تنتسب بعض الأوعية أو مواد التعبئة في هذه الرائحة، استخدم وعاء مختلف أو مواد تعبئة مختلفة.
<p>الباب (الأبواب) لا يغلق.</p> <ul style="list-style-type: none"> • عبوات الطعام قد تمنع إغلاق الباب، غير وضع عبوات الطعام التي تعيق الباب. • الثلاجة ليست عمودياً تماماً على الأرض وقد تهتز عند تحريكها قليلاً لضبط مسامير الارتفاع. • الأرض ليست مستوية أو قوية. تأكد من أن الأرض مستوية وتحمل الثلاجة.
<p>الأدراج عالقة.</p> <ul style="list-style-type: none"> • قد يكون الطعام ملامساً لسقف الدرج. أعد ترتيب الطعام في الدرج.
<p>إذا كان سطح المنتج ساخناً</p> <ul style="list-style-type: none"> • قد يلاحظ ارتفاع درجات الحرارة بين البابين، وعلى الألواح الجانبية والشواية الخلفية أثناء تشغيل المنتج. وهذا طبيعي ولا يعد ذلك عيباً يتطلب الصيانة. كن حذراً عند لمس هذه الأماكن.

<p>تجمد الطعام المحفوظ في أدراج صندوق الثلاجة.</p> <ul style="list-style-type: none"> • تم ضبط الثلاجة على درجة باردة جداً. اضبط درجة حرارة الثلاجة على درجة أعلى ثم تحقق ثانية.
<p>درجة حرارة الثلاجة أو الفريزر عالية جداً.</p> <ul style="list-style-type: none"> • تم ضبط الثلاجة على درجة حرارة عالية جداً، يؤثر ضبط الثلاجة على درجة حرارة الفريزر، غير درجة حرارة الثلاجة أو الفريزر حتى تصل إلى مستوى مناسب. • قد يكون الباب مفتوح جزئياً. أغلق الباب تماماً. • قد تكون هناك كميات كبيرة من الطعام الساخن تم وضعها في الثلاجة مؤخراً. انتظر حتى تصل الثلاجة أو الفريزر إلى درجة الحرارة المطلوبة. • تم توصيل الثلاجة بالكهرباء مؤخراً. فتبريد الثلاجة تماماً يستغرق وقتاً بسبب الحجم.
<p>تشبه الضوضاء الناتجة عن الثلاجة صوت الثواني الذي تصدره ساعة.</p> <ul style="list-style-type: none"> • تصدر هذه الضوضاء من صمام اللولبي للثلاجة. يعمل هذا الصمام بغرض ضمان تبريد المسار عبر الصندوق والذي يمكن ضبطه على درجات حرارة التبريد أو التجميد. كما أنه يقوم بوظائف التبريد. وهذا أمر طبيعي وليس عيباً.
<p>ترتفع ضوضاء التشغيل عند تشغيل الثلاجة.</p> <ul style="list-style-type: none"> • قد تتغير سمات أداء الثلاجة تبعاً للتغيرات في درجة الحرارة المحيطة بالثلاجة. وهذا طبيعي ولا يعد ذلك عيباً.
<p>اهتزازات أو ضوضاء.</p> <ul style="list-style-type: none"> • الأرض ليست مستوية أو ليست صلبة، تهتز الثلاجة عند تحريكها ببطء. تأكد من أن الأرض مستوية وقوية وتحمل الثلاجة. • قد يصدر صوت من الأشياء الموضوعة على الثلاجة يجب إزالة هذه الأشياء من على سطح الثلاجة.
<p>تصدر ضوضاء مثل صوت انسكاب سائل أو رشه.</p> <ul style="list-style-type: none"> • تنساب السوائل والغازات وفقاً لمواعد تشغيل الثلاجة. وهذا طبيعي ولا يعد ذلك عيباً.
<p>تحدث ضوضاء شبيهة بصفير الرياح.</p> <ul style="list-style-type: none"> • تستخدم منشطات الهواء (المراوح) للسماح للثلاجة بالتبريد بشكل فعال. وهذا طبيعي ولا يعد ذلك عيباً.
<p>تكاثف في الحوائط الداخلية للثلاجة.</p>

7 حلول مقترحة للمشكلات

يرجى مراجعة هذه القائمة قبل الاتصال بمركز الخدمة. فقد يوفر عليك وقتاً ومالاً. تشمل هذه القائمة الشكاوى التي لم تنتج عن عيوب صناعة أو المواد المستخدمة. قد لا تتوافر بعض الميزات الواردة في هذا الدليل في المنتج الخاص بك.

<ul style="list-style-type: none"> • قد تكون الثلاجة الجديدة أكبر من القديمة. هذا شيء طبيعي تماماً. الثلاجات الكبيرة تعمل لفترات أطول. • قد تكون درجة الحرارة المحيطة عالية. وهذا أمر طبيعي جداً. • الثلاجة متصلة بالكهرباء منذ قليل أو مليئة بالطعام. قد يستمر تبريد الثلاجة كلياً لساعات أطول. 	<p>الثلاجة لا تعمل</p> <ul style="list-style-type: none"> • هل الثلاجة متصلة بالتيار الكهربائي؟ توصيل القابس بمنفذ الكهرباء بالحائط. • هل احترق منصهر القابس المتصلة به الثلاجة أو المنصهر الرئيسي؟ افحص المنصهر.
<ul style="list-style-type: none"> • قد تكون هناك كميات كبيرة من الطعام الساخن تم وضعها في الثلاجة مؤخراً. يتسبب الطعام الساخن في تشغيل الثلاجة حتى يصل إلى درجة حرارة التخزين الآمنة. • قد تكون الأبواب مفتوحة بصورة متكررة أو مفتوحة جزئياً لفترة طويلة. يتسبب الهواء الساخن الذي دخل الثلاجة في تشغيل الثلاجة لفترة أطول. افتح الأبواب عدداً أقل من المرات. • قد يكون باب صندوق الفريزر أو الثلاجة مفتوح جزئياً. تأكد أن الأبواب مغلقة تماماً. • تم ضبط الثلاجة على درجة باردة جداً. اضبط درجة حرارة الفريزر على درجة أعلى وانتظر حتى تصل إلى درجة الحرارة المطلوبة. 	<p>تكثف في جانب صندوق الثلاجة. (المنطقة المتعددة التحكم في التبريد والمنطقة المبردة)</p> <ul style="list-style-type: none"> • الظروف المحيطة باردة جداً. فتح الأبواب وغلغها بشكل متكرر. الظروف المحيطة عالية الرطوبة. تخزين طعام يحتوي على سائل في أوعية مفتوحة. ترك الباب مفتوح جزئياً. • تغيير وضع الترموستات إلى الدرجة أكثر برودة. • تقليل الوقت الذي ترك الباب فيه مفتوحاً أو استخدامه بصورة أقل. • تغطية الطعام المخزن في حاويات مفتوحة بمادة مناسبة. • مسح التكثف بقطعة قماش جافة والتحقق من بقاءه.
<ul style="list-style-type: none"> • قد يكون عازل باب الثلاجة أو الفريزر متسخاً أو بالياً أو متهتكاً أو مثبت بطريقة غير صحيحة. نظف العازل أو استبدله. لأن العازل التالف أو المتهتك يتسبب في أن تعمل الثلاجة لفترات أطول للحفاظ على درجة الحرارة الحالية. 	<p>جهاز ضغط الهواء لا يعمل</p> <ul style="list-style-type: none"> • سينصهر العازل الحراري لجهاز ضغط الهواء أثناء الانقطاع المفاجئ للتيار الكهربائي أو توصيل قابس الثلاجة بالتيار الكهربائي أو فصله. لأن ضغط الثلاجة في نظام تبريد الثلاجة لم يتوازن بعد. • ستبدأ الثلاجة في العمل بعد 6 دقائق تقريباً. يرجى الاتصال بمركز الصيانة إذا لم تبدأ الثلاجة في العمل بعد انتهاء هذه المدة.
<p>درجة حرارة الفريزر منخفضة جداً بينما درجة حرارة الثلاجة غير كافية.</p>	<ul style="list-style-type: none"> • إزالة الثلج دورياً. • إزالة الثلج دورياً.
<ul style="list-style-type: none"> • تم ضبط الفريزر على درجة باردة جداً. اضبط درجة حرارة الفريزر على درجة أعلى ثم تأكد ثانية. 	<ul style="list-style-type: none"> • إزالة الثلج دورياً. • إزالة الثلج دورياً.
<p>درجة حرارة الثلاجة منخفضة جداً بينما درجة حرارة الفريزر غير كافية.</p>	<ul style="list-style-type: none"> • تأكد أن القابس موضوع بإحكام في مقبس الحائط. • هل تم ضبط درجة الحرارة بشكل صحيح؟ انقطع التيار الكهربائي. اتصل بشركة الكهرباء.
<ul style="list-style-type: none"> • تم ضبط الثلاجة على درجة باردة جداً. اضبط درجة حرارة الثلاجة على درجة أعلى ثم تحقق ثانية. 	<ul style="list-style-type: none"> • تعمل الثلاجة بصورة متكررة أو لوقت طويل.

6 الصيانة والتنظيف

⚠ لا تستخدم الجازولين أو البنزين أو أي مواد مشابهة لأغراض التنظيف.

⚠ نوصي بفصل الجهاز عن التيار الكهربائي قبل تنظيفه.

⚠ لا تستخدم أبداً أي مواد كاشطة أو صابون أو منظفات منزلية أو منظفات غسيل أو شمع التلميع عند التنظيف.

⚠ في غير المنتجات التي تمنع تكون الثلج (No Frost)، يتساقط الماء ويمكن أن يتراكم الثلج بمقدار يصل إلى عرض الإصبع على الجدار الخلفي الداخلي لصندوق الثلاجة. لا تنظفه، ولا تستعمل مطلقاً النفط أو عوامل مماثلة عليه.

⚠ استخدم فقط قطعة قماش من الأنسجة دقيقة رطبة قليلاً لتنظيف السطح الخارجي للمنتج. قد يخدش الإسفنج والأنواع الأخرى من أقمشة التنظيف سطح المنتج.

ⓘ استخدم المياه الفاترة لتنظيف صندوق الثلاجة ثم امسحه ليجف.

ⓘ استخدم قطعة من القماش الملتوية والرطبة مع ملء ملعقة شاي من بيكربونات الصودا مضافة لجالون من الماء لتنظيف الداخل ثم يجفف.

ⓘ تأكد من عدم دخول المياه إلى مبيت المصباح وغيره من العناصر الكهربائية.

ⓘ إذا كانت الثلاجة لن تستعمل لفترة زمنية طويلة، فافصل كابل التيار الكهربائي ثم أفرغ جميع الأطعمة ثم نظفها واترك الباب مفتوح جزئياً.

ⓘ قم بفحص عوازل التسريب في الباب بانتظام للتأكد من سلامتها وخلوها من جزيئات الطعام.

ⓘ لإزالة أرفف الباب، أخرج جميع المحتويات ثم ادفع رف الباب لأعلى بعيداً عن القاعدة.

ⓘ لا تستخدم أبداً مواد التنظيف أو المياه التي تحتوي على الكلورين لتنظيف الأسطح الخارجية والأجزاء المطلوبة بالكروم من المنتج. فالكلورين يتسبب في تآكل هذه الأسطح المعدنية.

ⓘ لا تستخدم الأدوات الحادة والكاشطة أو الصابون، أو مواد التنظيف المنزلية، المنظفات، البنزين، الشمع، الخ، وإلا سنزول الأختام على الأجزاء البلاستيكية ويحدث تشوه. استخدم ماء فاتراً وقماشاً ناعمة للتنظيف والتجفيف.

حماية الأسطح البلاستيكية

ⓘ لا تضع زيوتاً سائلة أو وجبات مطبوخة بالزيت في الثلاجة في علب غير معزولة، إذ قد تتسبب في تلف الأسطح البلاستيكية للثلاجة. في حالة انسكاب زيت أو تسربه على الأسطح البلاستيكية، نظف هذا الجزء واشطفه فوراً بماء دافئ.

• شريط لاصق مقاوم للبرد

• شريط لاصق ذاتي

• حلقات مطاطية

• قلم

يجب أن تكون المواد المزمع استخدامها لتعبئة الطعام مقاومة للقطع وللبرد والرطوبة والزيوت والأحماض.

يجب عدم ملامسة الأطعمة المزمع تجميدها للمواد المذابة سابقاً لمنع الإذابة الجزئية.

يجب استخدام الطعام المجمد مباشرة بعد إذابته، كما يجب عدم إعادة تجميده مطلقاً.

نظام التبريد المزدوج

الثلاجة مزودة بنظامي تبريد منفصلين لتبريد صندوق الطعام الطازج وصندوق الفريزر. وبالتالي فإن الهواء في صندوق الطعام الطازج وصندوق الفريزر لا يختلطان. وذلك لأن نظامي التبريد المنفصلين أفضل بكثير من الثلاجات الأخرى. كما أن الراحة داخل الصندوقين لا تختلط أيضاً. كما أن هناك أيضاً ميزة توفير الطاقة الإضافية، نظراً لأن عمليات إزالة التجميد التلقائية مستقلة.

تجميد الأطعمة الطازجة

- قم بتغليف أو تغطية الطعام قبل وضعه في الثلاجة.
- يجب تبريد الطعام الساخن إلى درجة حرارة الغرفة قبل وضعه في الثلاجة.
- يجب أن يكون الطعام المراد تجميده جيداً وطازجاً.
- يجب تقسيم الأطعمة إلى أجزاء طبقاً للاستهلاك اليومي للعائلة أو الوجبة اليومية.
- * يجب تعبئة الأطعمة بطريقة محكمة لمنع جفاف أي منها إذا كانت ستُحفظ لوقت قصير.
- يجب أن تكون المواد المستخدمة في التعبئة ضد القطع ومقاومة للبرد والرطوبة والرائحة والزيوت والأحماض كما يجب أن تكون محكمة الهواء. وبالإضافة إلى ذلك، يجب أن تكون هذه المواد مغلقة ومصنوعة من مواد سهلة الاستخدام ومناسبة للاستخدام في الديب فريزر.
- يجب استخدام الطعام المجمد مباشرة بعد إذابته، كما يجب عدم إعادة تجميده مطلقاً.
- يرجى اتباع التعليمات الآتية للحصول على أفضل النتائج.

1. لا تتم تجميد كميات كبيرة من الطعام مرة واحدة في نفس الوقت. يتم الاحتفاظ بجودة الطعام بشكل أفضل عند تجميده بطريقة صحيحة بالكامل في أسرع وقت ممكن.
2. يتسبب وضع الطعام دافئ في تجويف الفريزر إلى عمل نظام التبريد باستمرار حتى يتم تجميد الطعام وجعله صلباً.
3. توخ الحذر جيداً لعدم خلط الأطعمة المجمدة فعلياً بالأطعمة الطازجة.

توصيات المحافظة على الأطعمة المجمدة

- يجب حفظ الأطعمة المجمدة التجارية مسبقاً التعبئة وفقاً لإرشادات مصنع الطعام المجمد بالنسبة لصندوق حفظ الطعام المجمد [***] ✖ (4 نجوم).
 - لضمان المحافظة على أفضل جودة لدى جهة تصنيع الطعام المجمد والبائع؛ يجب تذكر ما يلي:
1. توضع العبوات في الفريزر بأسرع ما يمكن بعد الشراء.
 2. تأكد من أن المحتويات ملصقة على العبوة ومدون عليها التاريخ.
 3. يجب عدم تجاوز تاريخ 'استخدام حتى' أو 'يفضل قبل' على العبوة.

إزالة الثلج

يقوم تجويف الفريزر بإزالة الثلج بشكل تلقائي.

وضع الطعام

زريبلا قودنص ففراً	لثم عونتمة نمجم ماعط ميرك س.بلاو لكسلاو محللا بجلا تاورضخاو
ضريبلا جرد	ضريبلا
مجلاتلا قودنص ففراً	قاطعم قباطو تابلمعي ف ماعطلا بمقلعم بابعو
مجلاتلا قودنص باب ففراً	تابورشو وأ فلغم وأ لبلق ماعط (مكاوفا رناصعو نبللا لثم)
جرد	مهاكافاو تاورضخاو
ماعطلا تمطنم قودنص جزاطلا	ن بجا) تبلعملا تمعللا تاجنتم (بجلا...ملاسلاو ديزلاو

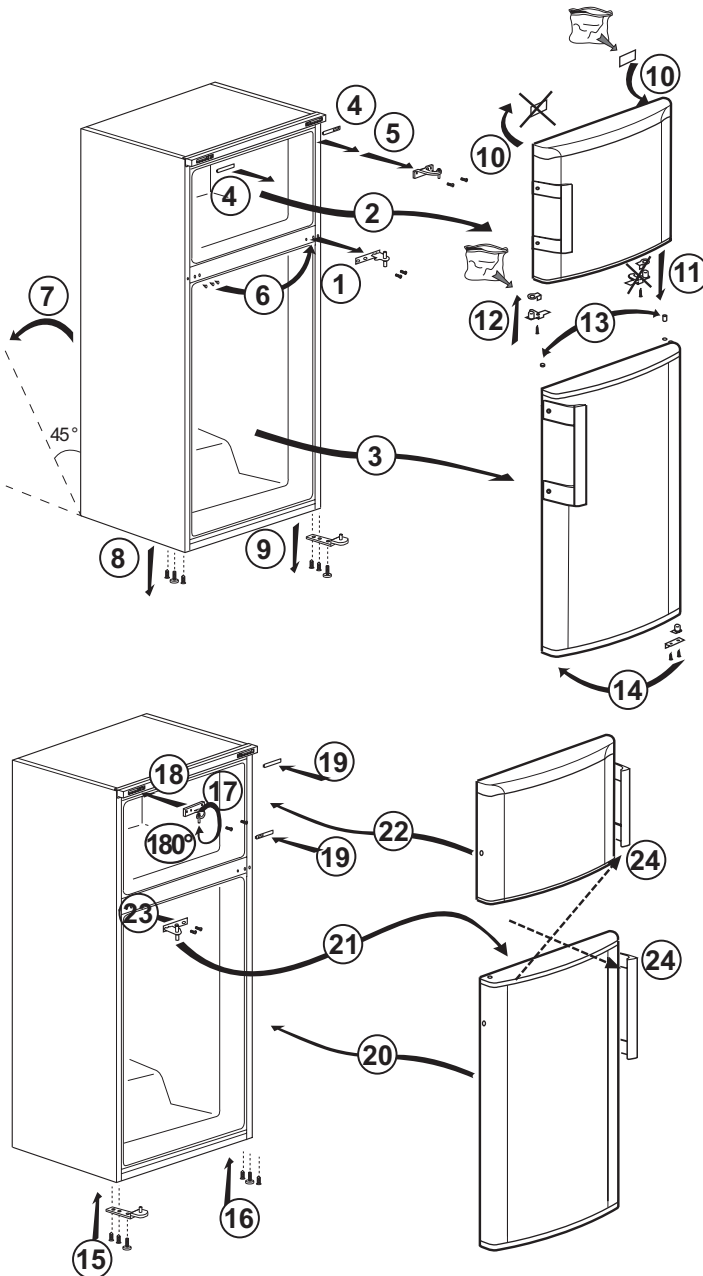
معلومات التجميد العميق

يجب تجميد الطعام بأسرع ما يمكن عند وضعه في الثلاجة للحفاظ على جودته. يمكن الحفاظ على طازجة الطعام لشهور عديدة (عند درجة حرارة 18- أو أقل في الديب فريزر).

تحذير!

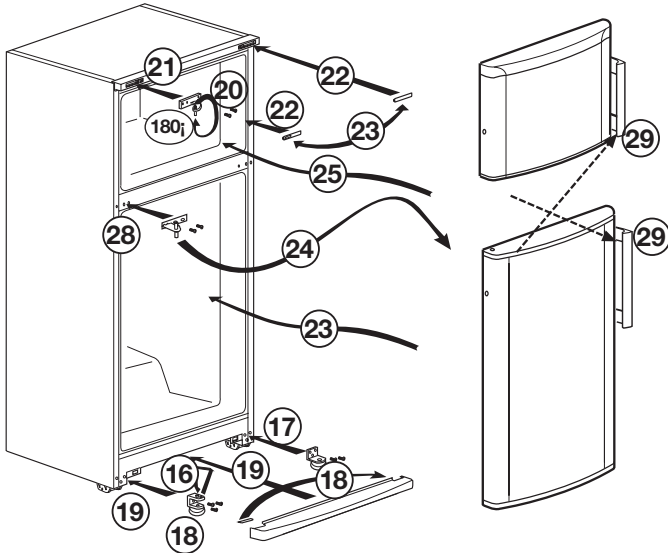
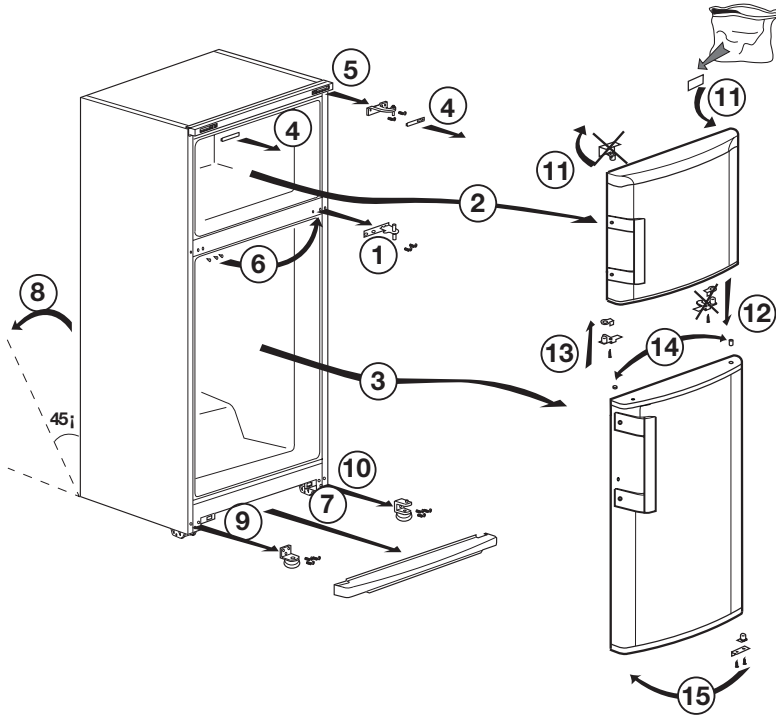
- يجب تقسيم الأطعمة إلى أجزاء طبقاً للاستهلاك اليومي للعائلة أو الوجبة اليومية.
- يجب تغليف الأطعمة بطريقة محكمة لمنع جفاف أي منها إذا كانت ستُحفظ لوقت قصير.
- المواد الضرورية للتعبئة.

عكس الأبواب
اتبع الترتيب الرقمي

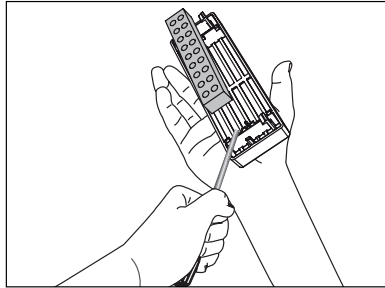
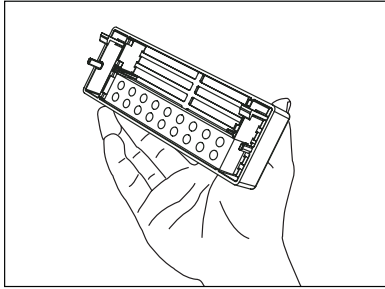
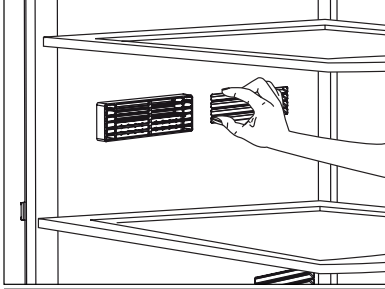


عكس الأبواب

اتبع الترتيب الرقمي



مرشح الروائح
يساعد مرشح الروائح الموجود في قناة هواء
صندوق التلاجة على تنظيف الهواء الموجود
بداخلها.

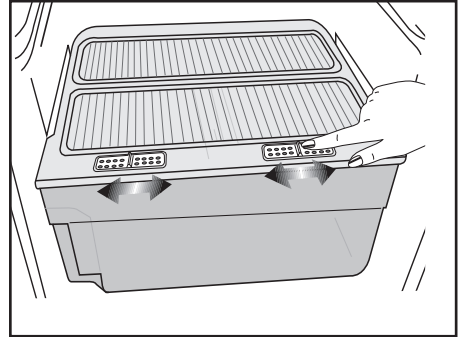


مزايا التحكم في الرطوبة في الدرج

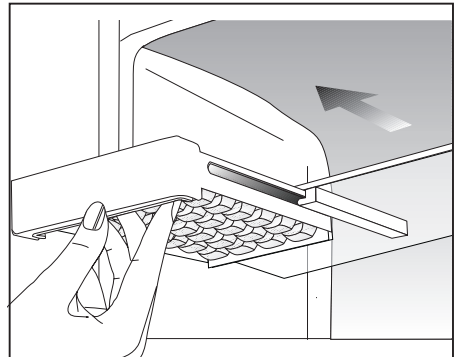
استخدام مزليج التحكم في الرطوبة في الدرج
تم تصميم درج الثلاثة خصيصاً بحيث يحتفظ
بالخضروات طازجة دون فقدان رطوبتها. يتم توزيع
الهواء البارد بشكل أساسي حول الدرج، كما يتم
التحكم في مقدار الهواء البارد الذي يمر من خلال
الدرج بواسطة مزليق الجانب الأمامي من غطاء
الدرج.

ويمكنك ضبط مزليق التحكم في الرطوبة على
الوضع المناسب طبقاً لحالة الرطوبة والتبريد التي
تناسب الطعام الموجود بالدرج.

فإذا رغبت في رفع مستوى تبريد الطعام الموجود
بالدرج، افتح فتحات مزليق التحكم في الرطوبة، وإذا
رغبت في تقليل مستوى تبريد الطعام والاحتفاظ به
رطباً لفترة أطول، فأغلق تلك الفتحات.



عمل مكعبات الثلج

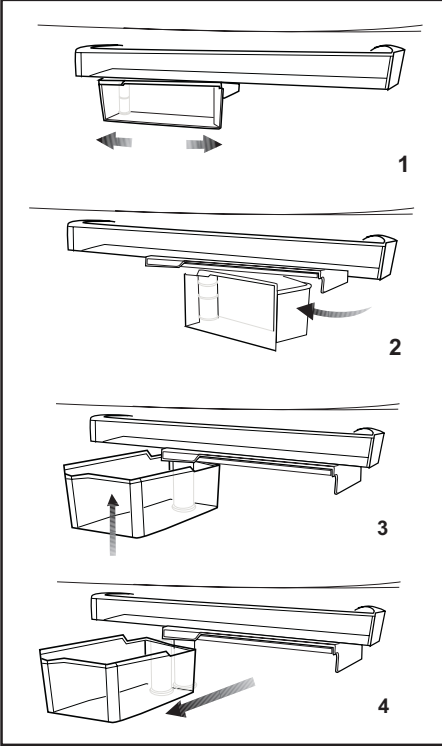


أملء جهاز عمل الثلج بالمياه وضعه في مكانه. سيتم
إعداد الثلج في حوالي ساعتين تقريباً.
يمكنك إزالتها بسهولة من خلال لف وعاء الثلج

صندوق التخزين الدوار

يمكن تحريك الرف المائل إلى اليسار أو اليمين لإيجاد مكان للزجاجات الطويلة أو المرطبات أو الصناديق في رف منخفض (الشكل 1).

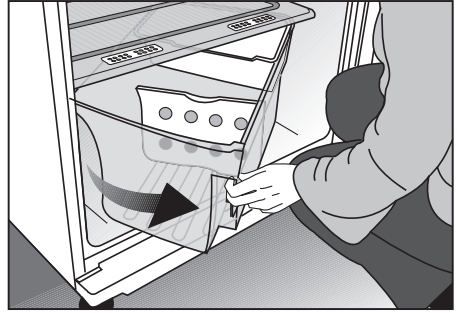
يمكن الوصول إلى الطعام الذي وضعته في الرف بجذبه ولفه من حافته اليمنى (الشكل 2). عندما تريد تحميل الرف أو إخراجها لتنظيفه قم بلفه 90 درجة وارفعه لأعلى واجذبه تجاهك (الشكل 3-4).



استخدام الدرج الدوار (في بعض الطرازات) إن درج ثلاثتك ذي الحركة الدوارة مصمم خصيصاً لتوفير مزيد من السهولة في الاستخدام وليمكنك من تخزين المزيد من الخضروات والفاكهة (بأحجام كبيرة) التي تشتريها عند التسوق بكميات ضخمة.

عندما تمسك وتجذب المقبض الموجود

بالجانب الأيسر من الدرج، يدور الدرج من اليسار إلى اليمين ويفتح بسهولة. كما سيتيح لك الفاصل المزود به الدرج في فصل الخضروات والفاكهة حسب النوع، وحمايتها من السحق.



وظيفة الأجازات

إذا لم يتم فتح أبواب المنتج لمدة 12 ساعة على أعلى وضع درجة حرارة، فسيتم تشغيل وظيفة الأجازات تلقائياً.

قم بفتح باب المنتج أو قم بتغيير إعدادات مقياس درجة الحرارة لإلغاء هذه الخاصية.

خاصية الأجازات اختيارية. قد تختلف وفقاً لنوع المنتجات وقد لا تكون موجودة في كل منتج. لا ينصح بتخزين الطعام أثناء تفعيل خاصية الأجازات.

وحدة صنع الثلج وصندوق تخزين الثلج

استخدام وحدة صنع الثلج

(في بعض الطرازات)

أملء جهاز عمل الثلج بالمياه وضعه في مكانه.

سيتم إعداد الثلج في حوالي ساعتين تقريباً. لا تخرج صندوق الثلج من مكانه لإخراج الثلج.

أدر المقابض باتجاه عقارب الساعة كما هو موضح في الشكل.

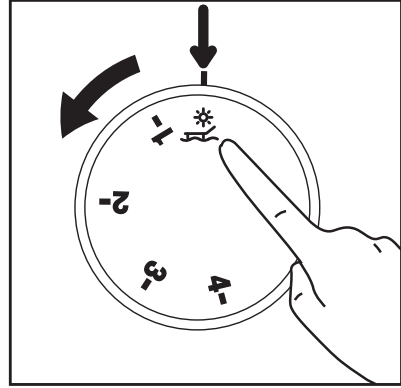
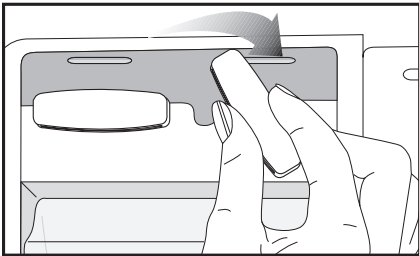
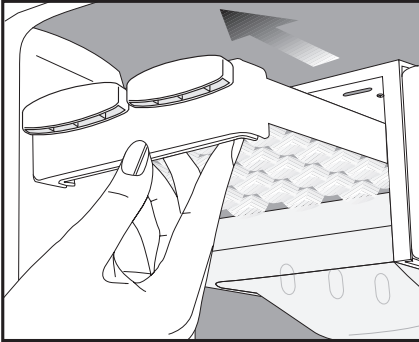
سحسقط مكعبات الثلج في خزان الثلج أدناه.

يمكن إخراج خزان الثلج وتقديم مكعبات الثلج.

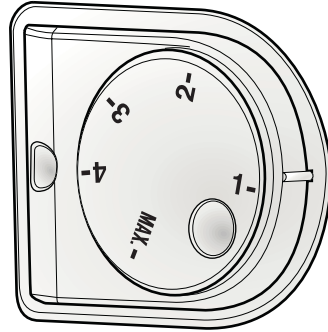
يمكن الاحتفاظ بمكعبات الثلج في خزان الثلج إذا أردت.

صندوق تخزين الثلج

فخزان الثلج مخصص فقط لتجميع مكعبات الثلج. لا تضع ماء فيه. وإلا فيكسر.



❶ الأشكال الواردة في دليل التعليمات هذا هي رسومات بيانية وقد لا تتطابق تماماً مع المنتج. إذا لم تكن هذه القطع واردة في هذا الجهاز الذي اشتريته، فإنها مناسبة لأنواع أخرى.



زر ضبط درجة الحرارة

يسمح لك زر ضبط درجة الحرارة بضبط درجة الحرارة للثلاجة.

الحماية المزدوجة

صحي: يساعد مرشح الروائح الموجود في قناة هواء صندوق الثلاجة على تنظيف الهواء الموجود بداخلها. يقلل المرشح تكوين الرائحة الكريهة بواسطة الحشو الموجود به.

ضبط درجة حرارة الثلاجة.

يتم الضبط العام لدرجة حرارة الثلاجة، المكونة من صندوق الثلاجة وصندوق الفريزر بواسطة زر ضبط درجة الحرارة الموجود أعلى الرف العلوي لصندوق الثلاجة. يوجد بهذا الزر 5 أوضاع ضبط درجة حرارة مختلفة. اختر الوضع المناسب لحاجاتك.

نظام التبريد المزدوج

الثلاجة مزودة بنظامي تبريد منفصلين لتبريد صندوق الطعام الطازج وصندوق الفريزر. وبالتالي فإن الهواء في صندوق الطعام الطازج وصندوق الفريزر لا يختلطان. وذلك لأن نظامي التبريد المنفصلين أفضل بكثير من التلاجات الأخرى. كما أن الرائحة داخل الصندوقين لا تختلط أيضا. كما أن هناك أيضا ميزة توفير الطاقة الإضافية، نظرا لأن عمليات إزالة التجميد التلقائية مستقلة.

- يجب تركيب الثلاجة على بعد 30 سم متر على الأقل من مصادر الحرارة مثل المواقد والأفران والسخان المركزي والمواقد وعلى بعد 5 سم متر على الأقل من الأفران الكهربائية ويجب عدم وضعها في ضوء الشمس المباشر.
- تأكد من نظافة الثلاجة من الداخل بالكامل.
- إذا كنت بصدد تركيب مبردين جنباً إلى جنب، يجب المباشرة بينهما بمسافة 2 سم على الأقل.
- عند تشغيل الثلاجة للمرة الأولى، يرجى مراعاة التعليمات التالية أثناء الساعات الستة الأولى.
- يجب عدم فتح الباب بصورة متكررة.
- يجب تشغيلها وهي خاوية بدون وضع أي أطعمة داخلها.
- لا تنزع قابس التيار الكهربائي للثلاجة. إذا توقف التيار الكهربائي رغماً عنك، فيرجى قراءة التحذيرات الواردة في قسم "حلول مقترحة للمشكلات".
- هذا المنتج صمم ليعمل تحت درجات حرارة محيطية تصل إلى 43 ° مئوية (90 فهرنهايت). حتى إذا انخفضت درجة الحرارة المحيطة إلى 15- ° مئوية، فإن الطعام المجمد في الفريزر لا يذوب بفضل النظام الإلكتروني المتقدم للتحكم بالحرارة. لأول تركيب، لا ينبغي وضع المنتج تحت درجات حرارة محيطية منخفضة. ذلك بسبب أن الفريزر لا يمكنه أن ينخفض عن درجات حرارة التشغيل المعيارية. عند الوصول لتشغيل مستمر، يمكن تحريك المنتج إلى مكان آخر. وبالتالي، يمكنك فيما بعد وضع منتجك في الجراج أو غرفة غير مدفأة بدون قلق من التسبب في تجمد الطعام حتى يفسد. ومع ذلك، فمن المحتمل أن تتسبب درجات الحرارة المنخفضة المذكورة أعلاه في تجميد الطعام في مقصورة الثلاجة، ولذلك يرجى استهلاك الأطعمة في الثلاجة بطريقة مخططة على قدر الحاجة. عندما تعود درجات الحرارة المحيطة إلى الطبيعية، يمكنك تغيير إعدادات المفتاح وفقاً لحاجتك.
- إذا انخفضت درجة الحرارة المحيطة إلى أدنى من 0 ° مئوية، فسيجمد الطعام في مقصورة الثلاجة. وبالتالي، ننصح بعدم استخدام مقصورة الثلاجة

بمثل هذه الدرجات من درجات الحرارة المنخفضة المحيطة. ويمكنك الاستمرار باستخدام مقصورة الفريزر كالمعتاد.

في بعض الموديلات، تتوقف لوحة الأذونات 5 دقائق بعد إغلاق الباب. سيتم إعادة تفعيلها عند فتح الباب أو الضغط على أي مفتاح.

نظراً لتغير درجات الحرارة نتيجة لفتح / إغلاق باب الجهاز أثناء العملية، فالتكثيف على الباب / والرفوف والعبوات الزجاجية أمر طبيعي.

التخلص من الثلجة القديمة

تخلص من الجهاز القديم دون إحداث أي ضرر بالبيئة.

- يمكنك استشارة الوكيل المعتمد لديك أو مركز تجميع النفايات بمدينتك حول التخلص من الثلجة القديمة. قبل التخلص من الثلجة، اقطع القابس الكهربائي، وفي حالة وجود أي أقفال على باب الثلجة، اجعلها غير قابلة للتشغيل لحماية الأطفال من أي خطر.

الوضع والتركيب

⚠ إذا كان باب الحجرة التي ستوضع بها الثلجة ضيق بدرجة لا تسمح بمرور الثلجة من خلاله، فاتصل بمركز الصيانة المعتمد لإزالة أبواب الثلجة وتمريرها وهي ماثلة من الباب.

1. ركب الثلجة في مكان يسمح بسهولة الاستخدام.
2. ضع الثلجة بعيداً عن مصادر الحرارة والمناطق الرطبة وأشعة الشمس المباشرة.
3. يجب أن تتوفر التهوية المناسبة حول الثلجة للحصول على تشغيل يتسم بالكفاءة. إذا كانت الثلجة ستوضع في تجويف داخل الحائط، فيجب أن يكون يترك 5 سم على الأقل بينها وبين السقف و 5 سم على الأقل بينها وبين الحائط. لا تضع ثلاجتك على مواد مثل السجاد أو الموكيت.
4. ضع الثلجة على سطح مستو لمنع الحركة المفاجئة.

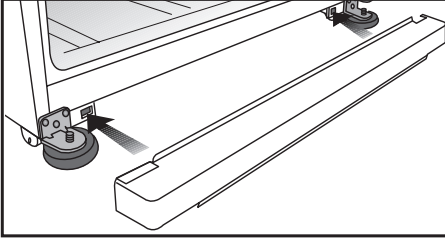
تغيير مصباح الإضاءة

لتغيير المصباح/مصباح الإضاءة الخلفية (LED) المستخدم في إضاءة الثلجة، يرجى الاتصال بمركز الصيانة المعتمد.

- أذهب في مدمختسلا (حبيباصلا) حابصلا
فرغلا في فةاضلا ةيسانم ريغ زاهلجا
وهو حابصلا انهلا في ساسلا ضرغلا. ةيلزنلا
في فاعطلا تاودأ عضول مدمختسلا ةعاسم
ةنمأو ةلهسد ةقيرط حمجا/ةجلانلا
ةردق لهلا زاهلجا انهلا في مدمختسلا حبيباصلا
20- ن.م. ل. قأ ةرارحلا تاجرد في لثمتة ل.م. ح.
ةيوئم ةجرد

تركيب غطاء التهوية السفلي

يمكنك تركيب غطاء الهوية السفلي كما هو موضح في الشكل التوضيحي.



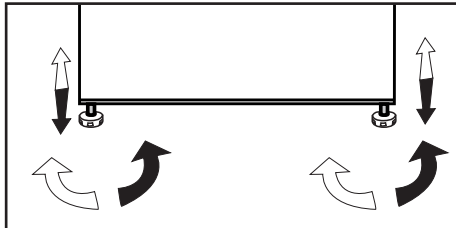
تحذير فتح الباب

يُسمع صوت تحذير عندما يكون باب صندوق الفريزر أو الثلجة مفتوحاً لفترة زمنية معينة. سيصمت هذا الصوت عند الضغط على أي زر على المؤشر أو عندما يتم إغلاق الباب.

ضبط أقدام الثلجة

إذا كانت الثلجة غير متزنة؛

يمكن ضبط ائزان الثلجة بتدوير الأقدام الأمامية كما هو موضح بالشكل. يتم خفض الركن الموجود به القدم عند التدوير باتجاه السهم الأسود ويرتفع عند التدوير في الاتجاه المعاكس. ستساعد الاستعانة بشخص آخر في رفع الثلجة قليلاً في إنجاز هذه العملية.



ل يلدب قدر اولاً تامو لعلما ب دخلاً مدء قلا د في \triangle ف
ع نصلما لمحتي لا ، راي تء علا ي ف م دختسما
انهل ءجيبئء ءيلو ويسم ي ا

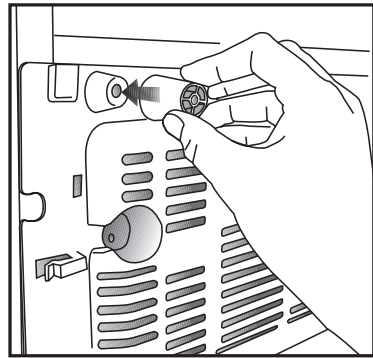
نقاط يجب الإهتمام بها عند التلاجة.

1. يجب نزع القابس. قبل نقل التلاجة بالموصلات يجب تفرغها وتنظيفها.
2. قبل إعادة تعبئتها، يجب تثبيت الأرفف والملحقات والدرج... إلخ، داخل التلاجة بشرط لاصق وتأمينها ضد الصدمات. يجب لف عبوة التلاجة بشريط سميك أو بحبال سليمة ويجب الالتزام بقواعد نقل عبوة التلاجة بصرامة.
3. يجب الحفاظ على العبوة الأصلية ومواد التغليف المصاحبة لأغراض النقل المستقبلية أو الانتقال.

قبل بدأ تشغيل التلاجة،

تحقق من التالي قبل بدأ تشغيل التلاجة:

1. أرفق الأسافين البلاستيكية كما هو موضح أدناه. يتم استخدام الأسافين البلاستيكية للحفاظ على وجود مسافة والتي ستؤكد على تدوير الهواء بين التلاجة والحائط. (وضعت هذه الصورة كوصف تصويري ولا تتطابق بالكامل مع المنتج الخاص بك.)



2. نظف الجزء الداخلي للتلاجة كما هو موصى به في قسم "الصيانة والتنظيف".

3. قم بتوصيل قابس التلاجة مع مقبس الحائط. عند فتح باب التلاجة، سيضيء المصباح الداخلي.

4. عندما يبدأ المكثف بالعمل، ستسمع صوتاً قد يؤدي السوائل والغازات المتسربة من جهاز التلاجة إلى إحداث ضوضاء، حتى إن كان جهاز ضغط الهواء لا يعمل وهذا أمر طبيعي.

5. قد يكون ملمس الحواف الأمامية للتلاجة دافئاً. هذا شيء طبيعي. حيث تم تصميم هذه المناطق حتى تكون دافئة تجنّباً للتكاثف.

التوصيل الكهربائي

صل المنتج بمنفذ توصيل أرضي محمي بمنصهر ذي سعة مناسبة.

هام:

- يجب أن يتوافق التوصيل مع اللوائح الوطنية.
- يجب أن يكون قابس التيار في مكان يسهل الوصول إليه بعد التركيب.
- يمكن ضمان السلامة الكهربائية للتلاجة فقط إذا كان نظام التوصيل الأرضي في منزلك يتوافق مع المعايير.
- جهد التيار الكهربائي المذكور على الملصق الموجود على الجانب الداخلي الأيسر من المنتج يجب أن يكون مساوياً لجهد الشبكة لديك.
- يجب عدم استخدام الوصلات الكهربائية والمقابس متعددة المسالك للتوصيل.

\triangle يجب أن يتم استبدال كابل التيار التالف بواسطة فني الكهرباء المعتمد.

\triangle يجب ألا يتم تشغيل المنتج قبل إصلاحه! حيث يوجد خطر يكمن في التعرض لصدمة كهربائية!

التخلص من عبوة المنتج

قد تكون مواد التغليف خطرة على الأطفال. احتفظ بمواد التغليف بعيداً عن متناول الأطفال أو تخلص منها بتصنيفها وفقاً لتعليمات التخلص من المخلفات المحددة من السلطات المحلية. لا تتخلص من المخلفات مع مخلفات المنزل العادية، قم بالتخلص منها من خلال نقاط التقاط مواد التعبئة والتغليف المحددة من السلطات المحلية.

يتم تصنيع حزمة تعبئة التلاجة من مواد قابلة لإعادة التدوير.

بيانات التغليف

تم تصنيع مواد التغليف الخاصة بهذا المنتج من مواد قابلة لإعادة التصنيع وفقاً للوائح البيئية المحلية الخاصة بنا. لا تتخلص من مواد التغليف مع النفايات المنزلية أو النفايات الأخرى. بل تتخلص منها في نقاط تجميع مواد التغليف المعينة من قبل السلطات المحلية. لا تتسى...

يجب عدم التخلص من أية مواد قابلة لإعادة التدوير حفاظاً على الطبيعة ووفرة الموارد القومية.

إذا كانت تريد أن تشارك في إعادة تقييم مواد التعبئة، يمكنك استشارة منظمات البيئة أو المجالس البلدية التي بجوارك.

تحذير الحرارة والتبريد والتهوية (HC)

إذا كان المنتج مزوداً بنظام تبريد يحتوي على

R:600a

هذا الغاز قابل للاشتعال. ولذا، يجب توخي الحذر حتى لا يتم إتلاف نظام التبريد والأنابيب أثناء الاستخدام والنقل. في حالة التلف، لا تتخلص من المنتج بإلقائه في النيران، واحتفظ به بعيداً عن مصادر النيران المحتملة والتي يمكن أن تتسبب في نشوب النيران بالمنتج واحرص على تهوية الحجرة التي تحتفظ بالمنتج فيها.

إذا كان المنتج مزوداً بنظام تبريد يحتوي على

R:134a

نوع الغاز المستخدم في هذا المنتج مذكور على ملصق النوع الموجودة على الجانب الأيسر الداخلي للثلاجة.

لا تتخلص من المنتج مطلقاً بإلقائه في النيران.

أشياء يجب عملها لتوفير الطاقة

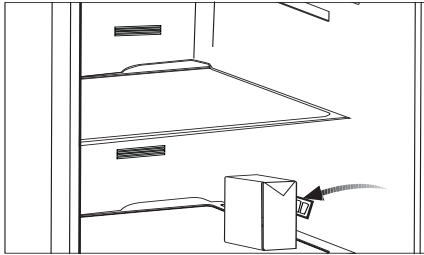
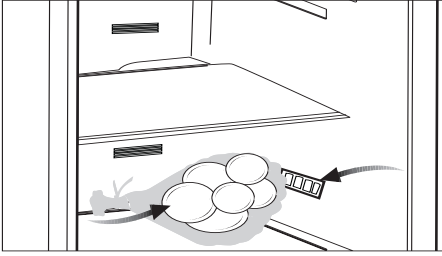
- لا تترك أبواب الثلاجة مفتوحة لفترة طويلة.
- لا تضع الأطعمة أو الخضروات الساخنة في الثلاجة.
- لا تزيد حمل الثلاجة بحيث لا تمنع دورة الهواء داخلها.
- لا تترك الثلاجة تحت أشعة الشمس المباشرة أو بالقرب من أجهزة تنبعث من حرارة مثل الفرن أو غسالة الأطباق أو المشع. يجب وضع الثلاجة على بعد 30 سم على الأقل من مصادر الحرارة المنبعثة وعلى الأقل 5 سم من الموافد الكهربائية.
- يجب وضع الطعام في علب مغلقة.
- بالنسبة للمنتجات المزودة بمقصورة فريزر، يمكنك تخزين الحد الأقصى من كمية الطعام في

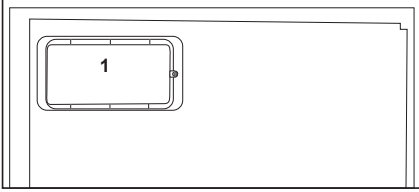
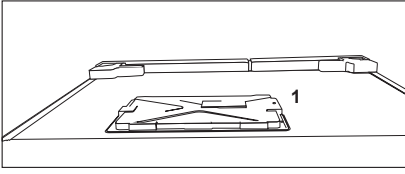
- الفريزر عندما تقوم بإخراج الرفوف أو الأدراج منه. استهلاك الطاقة المذكورة والخاص بالثلاجة تم تحديده أثناء إخراج الرف والدرج من الفريزر وتحميله بالحد الأقصى للحمولة. ولا توجد خطورة من استخدام الرف أو الدرج وفقاً للأشكال وأحجام الأطعمة المطلوب تجميدها.
- إذابة الطعام المجمد في مقصورة الثلاجة ستوفر الطاقة وتحفظ جودة الطعام.

توصيات لمقصورة الطعام الطازج

يرايمنخا *

- يرجى عدم ترك أي أغذية تصل إلى مستشعر درجة الحرارة في مقصورة الطعام الطازج. وللحفاظ على مقصورة الطعام الطازج في درجة حرارة التخزين المثالية، لا يجب تغطية المستشعر بأية أغذية.
- لا تقم بوضع طعام ساخن في الجهاز الخاص بك.





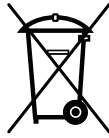
تأمين سلامة الأطفال

- إذا كان الباب مزوداً بقفل، فينبغي الاحتفاظ بالمفتاح بعيداً عن متناول الأطفال.
- يجب رقابة الأطفال حتى لا يعثروا بالمنتج.

متوافق مع تشريعات WEEE في التخلص من المنتجات التالفة.

هذا الجهاز لا يحتوي على مواد مؤذية أو محرمة من تلك المشار إليها في "تشريعات الرقابة على نفايات الأجهزة الكهربائية والإلكترونية" المصدرة من وزارة البيئة وتخطيط المدن التركية. متوافق مع تشريعات WEEE.

تم تصنيع هذا الجهاز بأجزاء ومواد عالية الجودة يمكن إعادة استخدامها وهي مناسبة لإعادة التدوير. وعلى ذلك، لا تتخلص من الجهاز مع النفايات المنزلية العادية في نهاية فترة حياته. عليك أخذه إلى نقطة التجميع لإعادة تدوير المعدات



الكهربائية والإلكترونية. يرجى التشاور مع السلطات المحلية لمعرفة أقرب نقطة تجميع. ساعد في حماية البيئة والموارد الطبيعية عبر إعادة تدوير المنتجات المستخدمة. لسلامة الأطفال، اقطع كابل الطاقة واكسر آلية القفل للباب، إن وجدت، حتى لا يمكن استخدامها قبل التخلص من الجهاز.

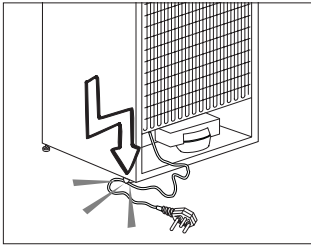
التوافق مع توجيهات RoHS:

يتوافق المنتج الذي قمت بشرائه مع توجيهات RoHS للاتحاد الأوروبي (EU/2011/65). لا يحتوي على مواد ضارة أو محظورة مشار إليها في التوجيهات.

- كهربية أو نشوب حريق.
- لا تزيد من حمولة الثلاجة بالأطعمة. إذا كانت الثلاجة بها حمل زائد، فقد يسقط الطعام ويصيبك ويتلف الثلاجة عند فتح الباب.
- لا تضع أشياء ثقيلة أعلى الثلاجة حيث قد تقع عند فتح باب الثلاجة أو غلقه.
- ينبغي عدم حفظ المنتجات التي تحتاج إلى تحكم دقيق في درجات الحرارة (الأمصال أو الأنوية ذات الحساسية للحرارة أو المواد العلمية أو ما شابه) في الثلاجة.
- إذا لن يتم استخدام الثلاجة لفترة طويلة، فيجب فصلها عن التيار الكهربائي. قد تتسبب أي مشكلة في عزل الكابل في نشوب حريق.
- من الممكن أن تتحرك الثلاجة إذا لم يتم تثبيتها بإحكام على الأرض. يمكن للأقدام القابلة للضغط المثبتة بإحكام على الأرض أن تثبت الثلاجة في مكانها ولا تتحرك.
- عند حمل الثلاجة، لا تمسكها من مقبض الباب. وإلا فيكسر.
- يجب أن يكون ضغط مدخل الماء البارد 90psi كحد أقصى (6.2 بار). إذا تجاوز ضغط الماء (5.5 80 psi بار)، استخدم صمام حد الضغط في نظامك الرئيسي. إذا كنت لا تعلم كيف تفحص ضغط الماء الخاص بك، اطلب المساعدة من سمكري متخصص.
- إذا ظهر خطر تأثير الطرق المائي أثناء التركيب، استخدم معدات منع الطرق المائي في التركيب دائماً. استشر سمكري متخصص إن لم تكن متأكدًا من عدم وجود تأثير للطرق المائي في التركيب.
- لا تركبه على مدخل الماء الساخن. يجب أخذ الحيلة من خطر تجمد الخراطيم. يجب أن تكون درجة حرارة الماء 33 ف (0.6 م) كحد أدنى و100 ف (38 م) كحد أقصى.
- لا تستخدم الجهاز إذا كان القسم الموجود على سطح الجهاز أو على ظهره الذي يحوي ألواحاً إلكترونية مطبوعة في الداخل مفتوحاً (غطاء وح الدائرة الإلكترونية المطبوعة) (1).

بالبطارية الكهربية.
اتصل بفني خدمة مؤهل في حالة وجود تلف
بكابلات الطاقة لتجنب المخاطر.
لا تقم بتوصيل الثلجة بمنفذ الحائط أبداً أثناء
عملية التركيب. وإلا، فهناك خطر أن تلقى
مصراعك أو تلحق بك إصابة خطيرة.
تم تصميم هذه الثلجة فقط لحفظ الطعام.
يجب ألا تستخدم لأية أغراض أخرى.
يوجد ملصق التصنيف الذي يحتوي على
المواصفات الفنية للمنتج في الجزء الأيسر
الداخلي للثلجة.

لا تصل الثلجة بأي نظم إلكترونية لتوفير
الطاقة فقد يتلف المنتج.
إذا كانت الثلجة بها لون أزرق، فلا تنتظر
إلى اللون الأزرق من خلال أجهزة بصرية.
إذا كان هناك ضوء أزرق على الثلجة،
لا تنتظر إليه بالعين المجردة أو بالأدوات
البصرية لفتره طويلة.
ينبغي تسليم دليل التشغيل هذا إلى المالك
الجديد للثلجة عند بيعها للآخرين.
تجنب تلف كابلات الطاقة أثناء نقل الثلجة. قد
يتسبب الكابلات المثني في نشوب حريق. لا
تضع أي أشياء ثقيلة على كابلات الطاقة.
لا تقم بلمس القابس بأيدي مبتلة عند توصيل
قابس الثلجة.



تصل الثلجة إذا كان منفذ التيار الكهربائي
غير محكم.
ينبغي عدم نثر الماء على الأجزاء الداخلية أو
الخارجية للثلجة لدواعي السلامة.
لا تترس مواد قابلة للاشتعال مثل غاز
البروبين بالقرب من الثلجة بسبب مخاطر
نشوب النيران والانفجار.
لا تضع أشياء مملوءة بالماء أعلى الثلجة،
ففي حالة إنسكابها، فقد تؤدي إلى صدمة

- البارد بأدوات حفر أو قطع. فقد ينفجر
المبرد عند ثقب قنوات الغاز أو المبخر
أو وصلات الأنابيب أو طلاءات السطح،
وقد يتسبب ذلك في حدوث اعتلال للجلد
وإصابات للعين.
- لا تعط فتحات تهوية الثلجة أو تسدها بأي
مواد.
- يجب إجراء الإصلاحات بواسطة شخص
مؤهل فقط. فعمليات الإصلاح التي يقوم بها
أشخاص غير مؤهلين قد تمثل خطورة على
المستخدم.
- في حالة وقوع أي عطل أو أثناء أي عملية
صيانة أو أعمال إصلاح، افصل الثلجة
عن مصدر التيار الكهربائي الرئيسي إما
بإغلاق المنصهر المعني أو بنزع قابس
التيار الكهربائي الخاص بالجهاز.
- لا تجنب الكابل - بل اجذب من المقبس.
تحقق من أن المشروبات الكحولية مخزنة
بشكل آمن، محكمة الإغلاق و في وضع
رأسي.
- يجب عدم الاحتفاظ في الثلجة بالمواد
القابلة للاشتعال أو المنتجات التي تحتوي
على غازات قابلة للاشتعال (مثل الإسبراي)
وكذلك المواد القابلة للانفجار.
- يجب عدم استخدام أدوات ميكانيكية أو
أية وسائل أخرى للتسريع من عملية إزالة
التجميد، بخلاف الأدوات التي توصي بها
الجهة المصنعة.
- هذا الجهاز غير مُعد للاستخدام بواسطة
الأفراد (بما في ذلك الأطفال) ذوي القدرات
الجسمانية والحسية والذهنية المحدودة، أو
الأفراد الذين يفتقدون للخبرة والمعرفة ما
لم يتم الإشراف عليهم أو إعطائهم تعليمات
استخدام الجهاز بواسطة شخص مسنون عن
سلامتهم أو الشخص الذي سيقوم بإعطائهم
التعليمات الخاصة باستخدام المنتج.
- لا تقم بتشغيل الثلجة وهي تالفة. استشر
مركز الصيانة إذا لديك أي شك.
- يمكن ضمان السلامة الكهربية للثلجة فقط
إذا كان نظام التوصيل الأرضي في منزلك
يتوافق مع المعايير.
- إن تعريض الجهاز للأمطار والثلج و
الشمس والرياح يمثل خطورة فيما يتعلق

يرجى فحص المعلومات التالية. ربما يؤدي الإخفاق في اتباع هذه المعلومات إلى إصابات أو تلف للممتلكات. ومن ثم، قد تصبح كل التزامات الفعالية والضمان غير سارية.

• 10 قدما تيلصاً رايغ عطق ريفوت متيسج. تنتملا ءار شلا جخيرات دعب، مامو عاً

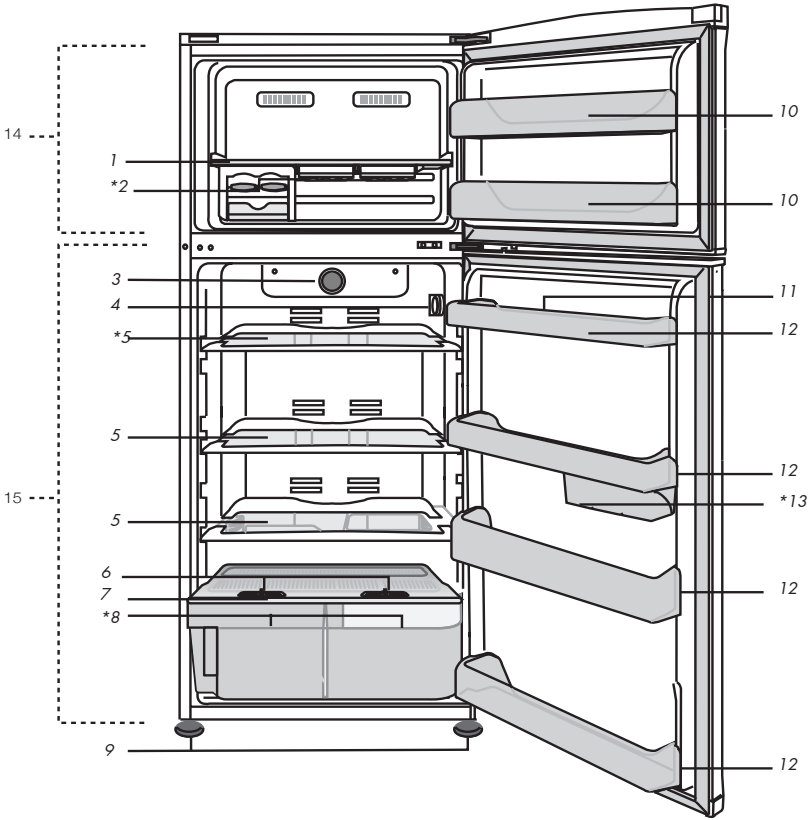
الغرض المخصص

- هذا الجهاز مصمم للاستخدام المنزلي والتطبيقات المماثلة مثل
- مناطق كادر الطبخ في المتاجر والمكاتب وبيئات العمل الأخرى؛
- المزارع و النزلاء في الفنادق وفنادق الطرق والبيئات السكنية المماثلة؛ أماكن المبيت والإفطار؛
- أماكن المبيت والإفطار؛
- عمليات التموين والتطبيقات المماثلة في غير محلات التجزئة.

السلامة العامة

- إذا أردت التخلص من الجهاز، فيوصى باستشارة مركز الصيانة المعتمد لمعرفة المعلومات المطلوبة والهيئات المعتمدة.
- استشر مركز الصيانة المعتمد حول كل الاستفسارات والمشكلات المتعلقة بالثلاجة. لا تتدخل ولا تدع أحدًا يتدخل في صيانة الجهاز دون إخبار مراكز الصيانة المعتمدة.
- بالنسبة للمنتجات المزودة بمقصورة فريزر، لا تأكل بسكويت الأيس كريم ومكعبات الثلج مباشرة بعد إخراجها من صندوق الفريزر. (فقد يسبب هذا لسعة صقيع داخل فمك.)
- بالنسبة للمنتجات المزودة بمقصورة فريزر، لا تضع المشروبات السائلة المعلبة أو الموضوعية في زجاجات في صندوق الفريزر. وإلا، فقد تنفجر.
- لا تلمس الطعام المجمد باليد، فقد يلتصق بيديك.
- أفضل قلبس التيار الكهربائي قبل تنظيف الثلجة أو إزالة الثلج.
- لا يجب استخدام البخار أو مواد التنظيف بالبخار أبداً في تنظيف أو عمليات إزالة الثلج من الثلجة. ففي مثل هذه الحالة، قد يتفاعل البخار مع القطع الكهربائية ويؤدي إلى قطع التيار الكهربائي أو وقوع صدمة كهربائية.
- لا تستخدم مطلقاً قطع الثلجة، مثل الباب كوسيلة دعم أو للوقوف عليه.
- لا تستخدم أي أجهزة كهربائية داخل الثلجة.
- لا تتلف الأجزاء حيث يتم تدوير الهواء

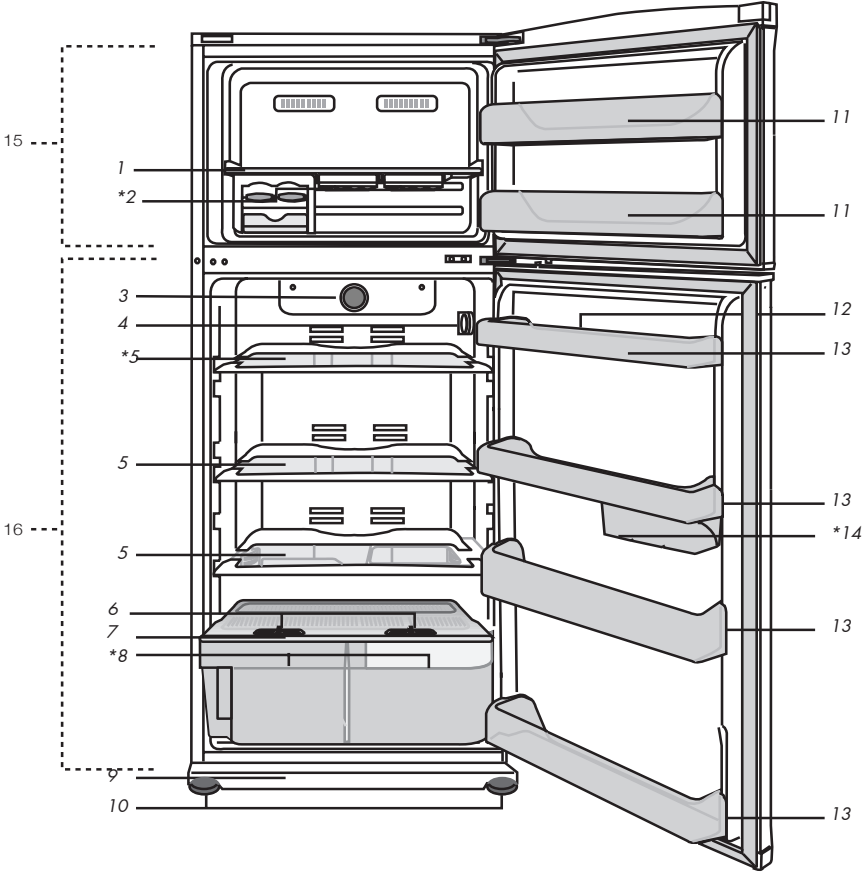
تحذير: حافظ على فتحات التهوية في تجويف الجهاز أو في البنية المدمجة خالية من الانسداد.	⚠
تحذير: لا تستخدم الأجهزة الميكانيكية أو الوسائل الأخرى لتسريع عملية إزالة الصقيع غير تلك التي يوصي بها المصنع.	⚠
تحذير: لا تلتف الدائرة الكهربائية لمادة التبريد.	⚠
تحذير: لا تستخدم الأجهزة الكهربائية في حجرة المؤن في الجهاز إلا إذا كانت من النوع الذي يوصي بها المصنع.	⚠
تحذير: لا تقم بتخزين المواد المتفجرة مثل علب الهباء الجوي مع بالوقود قابل للاشتعال في هذا الجهاز	⚠



- | | |
|----------------------------|-------------------------------------|
| 10- رف تجويف باب الفريزر | 1- درج مكعبات الثلج |
| 11- أرفف البيض | 2- صندوق تخزين الثلج |
| 12- أرفف باب صندوق الثلاجة | 3- مرشح الروائح (في قناة الهواء) |
| 13- أرفف باب صندوق الثلاجة | 4- زر ضبط درجة الحرارة |
| 14- صندوق الفريزر | 5- أرفف زجاجية قابلة للضبط |
| 15- صندوق الثلاجة | 6- مزلاج التحكم في الرطوبة في الدرج |
| | 7- غطاء الدرج |
| | 8- الأدراج |
| | 9- أقدام قابلة للضبط |

يرائتخا *

❗ الأشكال الواردة في دليل التعليمات هذا هي رسومات بيانية وقد لا تتطابق تمامًا مع المنتج. إذا لم تكن هذه القطع واردة في هذا الجهاز الذي اشتريته، فإنها مناسبة لأنواع أخرى.



- | | |
|----------------------------|--------------------------------------|
| 10- أقدام قابلة للضبط | 1- درج مكعبات الثلج |
| 11- رف تجويف باب الفريزر | 2- صندوق تخزين الثلج |
| 12- أرفف البيض | 3- مرشح الروائح (في قناة الهواء) |
| 13- أرفف باب صندوق الثلاجة | 4- زر ضبط درجة الحرارة |
| 14- أرفف باب صندوق الثلاجة | 5- أرفف زجاجية قابلة للضبط |
| 15- صندوق الفريزر | 6- مزاليج التحكم في الرطوبة في الدرج |
| 16- صندوق الثلاجة | 7- غطاء الدرج |
| | 8- الأدراج |
| | 9- غطاء التهوية السفلي |

يرايئخا *

❶ الأشكال الواردة في دليل التعليمات هذا هي رسومات بيانية وقد لا تتطابق تمامًا مع المنتج. إذا لم تكن هذه القطع واردة في هذا الجهاز الذي اشتريته، فإنها مناسبة لأنواع أخرى.

1 ثلاثتك

3 4 الإعداد

11

1 ثلاثتك

4

5 استخدام الثلاجة

12

- زر ضبط درجة الحرارة.....12
 ضبط درجة حرارة الثلاجة.....12
 نظام التبريد المزدوج.....12
 الحماية المزدوجة.....12
 وظيفة الأجزاء.....13
 وحدة صنع الثلج وصندوق تخزين الثلج.....13
 استخدام الدرج الدوار (في بعض الطرازات).....41
 صندوق التخزين الدوار.....14
 مزلاج التحكم في الرطوبة في الدرج.....15
 عمل مكعبات الثلج.....15
 مرشح الروائح.....15
 عكس الأبواب.....16
 عكس الأبواب.....17
 نظام التبريد المزدوج.....18
 تجميد الأطعمة الطازجة.....18
 توصيات المحافظة على الأطعمة المجمدة.....18
 وضع الطعام.....18
 معلومات التجميد العميق.....18

6 الصيانة والتنظيف

20

- حماية الأسطح البلاستيكية.....20

7 حلول مقترحة للمشكلات

21

2 تحذيرات السلامة المهمة

5

- الغرض المخصص.....5
 السلامة العامة.....5
 تأمين سلامة الأطفال.....7
 متوافق مع تشريعات WEEE في التخلص من
 المنتجات التالفة.....7
 التوافق مع توجيهات RoHS:.....7
 توصيات لمقصورة الطعام الطازج.....8
 بيانات التغليف.....8
 تحذير الحرارة والتبريد والتهوية (HC).....8
 أشياء يجب عملها لتوفير الطاقة.....8

3 التركيب

9

- نقاط يجب الإهتمام بها عند الثلاجة.....9
 قبل بدأ تشغيل الثلاجة،.....9
 التوصيل الكهربائي.....9
 التخلص من عبوة المنتج.....9
 تغيير مصباح الإضاءة.....10
 تركيب غطاء التهوية السفلي.....10
 ضبط أقدم الثلاجة.....10
 التخلص من الثلاجة القديمة.....10
 الوضع والتركيب.....10

يرجى قراءة هذا الدليل أولاً!

عميلنا العزيز،

عميلنا العزيز نأمل أن هذا المنتج والذي تم إنتاجه في مصانع حديثة وفحصه بإجراءات صارمة لرقابة الجودة سيقدم لكم خدمة فعالة.




ولذلك فنحن نوصي بقراءة هذا الدليل بالكامل بعناية قبل استخدامه وحفظه للرجوع إليه في المستقبل.

هذا الدليل

- سيساعدك على استخدام الجهاز بسرعة وبطريقة مأمونة.
- يرجى قراءة هذا الدليل قبل تركيب المنتج وتشغيله.
- يرجى اتباع الإرشادات، خاصة تلك المتعلقة بالسلامة.
- احتفظ بهذا الدليل في مكان يسهل الوصول إليه عند الحاجة إليه في المستقبل.
- وبالإضافة إلى ذلك، يرجى قراءة المستندات الأخرى المرفقة مع المنتج.
- يرجى ملاحظة أن هذا الدليل قد يكون صالحاً لأنواع أخرى أيضاً.

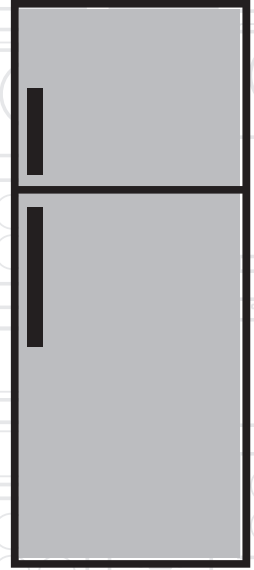
الرموز ومعانيها.

يحتوي دليل التعليمات هذا على الرموز التالية.

- | | |
|--|---|
| معلومات مهمة أو تلميحات استخدام مفيدة |  |
| تحذير ضد الأحوال الخطرة على حياة البشر والممتلكات. |  |
| تحذير ضد الفولتية الكهربائية. |  |

الثلاجة

دليل المستخدم



AR |

beko



48 9042 0000/AZ
EN-AR



www.beko.com