

Dishwasher

**BEKO**

Dear customer,

Please read carefully right through this instruction booklet before installing or operating your dishwasher. The following instructions should prevent the risk of personal injury and/or damage to the appliance.

Please keep these documents in a safe place for later reference.


This operating manual has been written for several different machines, and some of the features mentioned here may not apply to your particular model.

## **Symbols and legend**

Following symbols are included in the user manual:

 Important information and tips about usage.

 Warning for hazardous situations with respect to security of life and property.

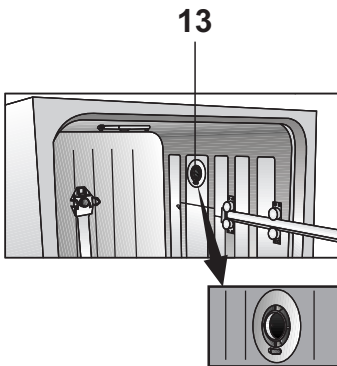
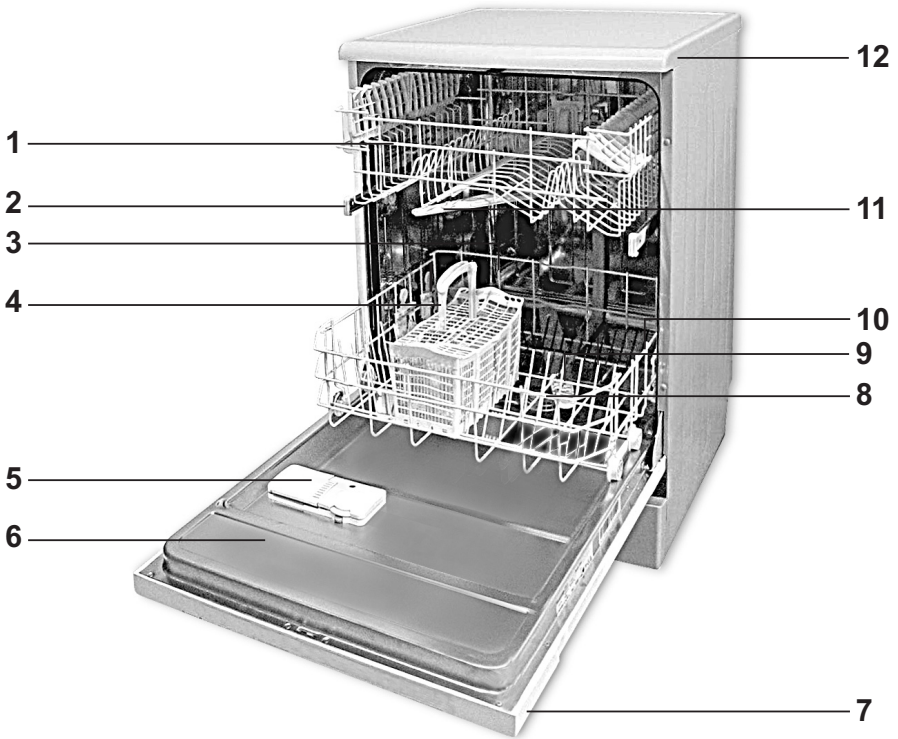
 Warning for electrical voltage and shock hazard.

## TABLE OF CONTENTS

<b>1 Getting To Know Your Machine</b>	<b>3</b>	Program Steps Follow-up	25
View of the Machine	3	Canceling a Program	26
<b>2 Safety Instructions</b>	<b>4</b>	Changing a Program	26
Before Installation	4	Programming the Delayed Start	26
Before First Use	4	Salt Indicator	27
Child Safety	4	Rinse Aid Indicator	27
Technical Specifications	4	Rinse Aid Indicator Setting	27
For daily operation	5	Starting Your Machine	27
Problems	5	<b>6 How to clean your dishwasher</b>	<b>30</b>
What should not be washed in your dishwasher	5	Cleaning the filters	30
<b>3 Directions for Assembly</b>	<b>6</b>	Cleaning the spray arms	31
Safety notes for installation	6	<b>7 Troubleshooting:</b>	<b>32</b>
Installing Your Dishwasher	6	What to do if the dishwasher will not run	32
Water connection	7	The cleaning results are unsatisfactory	32
Connect water inlet hose	7	Service	38
Water drainage	8		
Electrical connection	8		
Disposal	8		
<b>4 Using Your Dishwasher</b>	<b>9</b>		
Filling the dishwasher salt	9		
When operating for the first time:	10		
Filling the Rinse Aid Dispenser	11		
Filling the Detergent Dispenser	11		
Detergent	12		
Multipurpose Detergents	13		
Loading the dishwasher	13		
Suggestions for loading the dishwasher	14		
Loading suggestions	19		
<b>5 Program Selection and Operating Your Machine</b>	<b>23</b>		
Button and Button Descriptions	24		
Program Selection	25		
Adding Functions to the Program	25		

# 1 Getting To Know Your Machine

## View of the Machine



1. Upper dish basket with shelf
2. Guide rail for the upper dish basket
3. Salt container
4. Cutlery basket
5. Detergent dispenser
6. Door
7. Control panel
8. Filters
9. Lower sprayer arm
10. Lower basket
11. Upper sprayer arm
12. Housing (depends on the model)
13. Turbo fan heat drying system (depends on the model)

## Technical Specifications

**Permitted water pressure:** 0,3 –10 bar (= 3 – 100 N/cm<sup>2</sup> = 0,01-1,0Mpa)

**Electrical connection:** 220-240 Volts, 10 Amps (see type plate)

**Output:** 1900-2200 W

**Heat output:** 1800 W



**This device corresponds to the following EU directives:**

**2006/95/EC:** Low Voltage Directive

**2004/108/EC:** EMV Directive

**DIN EN 50242:** Electrical dishwasher for home use Testing procedures for practical service conditions

Because we continually strive to improve our products, we may change our specifications and designs without prior notice.

### Note for Testing Institutes

The necessary information for performance testing will be provided upon request. The request can be done by e-mail through:

**dishwasher@standardloading.com**

Please do not forget to write the model code and stock code information of the appliance besides your contact information in the e-mail. The model code and stock code information can be found on the rating label, which is placed on the side of the door.

## 2 Safety Instructions

### Before Installation

Check the appliance for transit damage. Never install or use damaged machines. If in doubt, contact your supplier.

### Before First Use

- See Notes for Installation on page 6.
- Have the grounding system installed by a qualified electrician. The manufacturer cannot be held liable for any damage caused by operating the appliance without proper grounding.
- Before operating the system, please check that the information on the type plate corresponds to the information on your power supply.
- The dishwasher must be disconnected from the mains

during installation.

- The appliance must not be connected to the mains using an extension cable. Extension cables do not provide the necessary safety (e.g. danger of overheating).
- Always use the original plug delivered with the appliance.
- The plug must be freely accessible after the appliance has been installed.

### Child Safety

- Do not allow children to play with the appliance.
- Dishwasher detergents are caustic and may cause injury to the eyes, mouth and throat. Please note the safety instructions provided by the manufacturers of the detergents.
- Never leave children unsupervised

while the appliance is open, as the appliance may still contain detergent leftovers.

- The water in the dishwasher is not drinking water. Danger of caustic injuries.
- Always place long and sharp/pointed objects (e.g. serving forks, bread knives) into the cutlery basket with the pointed end down or flat on the upper basket to avoid possible injuries.

### **For daily operation**


- Use your appliance only for the following domestic uses: Washing household dishes.
- Do not use chemical solvents in the appliance; there is a danger of explosion.
- This appliance is not intended for use by persons (including children) with reduced physical, sensory or mental capabilities, or lack of experience and knowledge, unless they have been given supervision or instruction concerning use of the appliance by a person responsible for their safety.
- Do not sit or stand on the opened door or place other objects on it. The appliance may tip over.
- Do not open the door while the appliance is running, as hot water or steam may escape.
- Do not leave the door open – an open door can be a hazard.
- If you need to move your appliance, do it in upright position and hold from the rear side. Tilting the appliance onto its front side may cause the electronic parts in it to get wet and damaged.


### **Problems**

- Repairs and modifications to the appliance may only be carried out by qualified customer service personnel.
- In the event of a problem, or before performing a repair, disconnect the appliance from the mains supply:
  - disconnect the appliance by pulling out the mains plug
  - shut off the power.
- Do not pull on the cable – pull on the plug. Turn off the water supply tap.

### **What should not be washed in your dishwasher**

- Rust sensitive steel parts
- Cutlery with wooden or horn handles
- Cutlery with mother of pearl or porcelain handles
- Non heat resistant plastic parts
- No glued dish or cutlery parts
- No items made out of copper, tin or aluminium
- Sensitive decorative glasses and porcelain parts
- Lead crystal glasses
- Art and crafted articles
- Aluminium and silver tend to discolour
- Glass and crystal articles may lose their shine over time
- Sponges and dishcloths

 Do not wash items soiled with cigarette ash, candle wax, varnish, paints or chemicals.

 Recommendation: When buying new dishes, note whether they are suitable for the dishwasher. (marked as dishwasher proof)


## 3 Directions for Assembly

---

### Safety notes for installation


Prior to installing and using your appliance, please check it for possible transit damage.


If the appliance is damaged, please contact your supplier.


 Never install or use a damaged appliance.


The following directions must be followed to connect the dishwasher properly.

Before operating your dishwasher, please ensure that the information on the type plate corresponds to the current and voltage of your power supply.

 The appliance may only be connected using a properly grounded socket. Ensure that the appliance is grounded according to regulations. The grounded socket must be easily accessible and close to the appliance.

 Do not use extension cables or multiple adapters, as this can lead to overheating, which can be a fire hazard.

 Hardwiring may only be carried out by a qualified electrician.

 Check the power cable, the water inlet hose and the drainage hose. Damaged parts may only be replaced by customer service personnel or by a qualified electrical service expert.

### Installing Your Dishwasher

- Choose a suitable location for your dishwasher. Take care to ensure that the appliance is stable on a level surface.
- Unevenness in the floor can be equalised by adjusting the screw feet. When the appliance is standing correctly, the door can be closed without difficulty.
- Water inlet and drainage hoses must be positioned so that they can move freely without bending or squeezing.
- The appliance may not be installed in a room where the temperature is below 0° Celsius.

## Water connection

**Permitted water temperature: up to 25°C**

- The dishwasher may not be connected to open warm water devices or flow-through water heaters.

### Permitted water pressure:

Lowest permitted water pressure: 0.3 bars = 3 N/cm<sup>2</sup> = 30 kPa

When the water pressure is below 1 bar, please contact your technician.

Highest permitted water pressure: 10 bar = 100N/cm<sup>2</sup> = 1Mpa

When the water pressure is above 10 bars, a pressure reduction valve must be installed (available in trade supply stores).

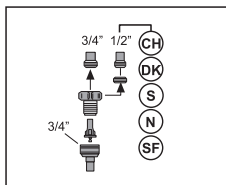
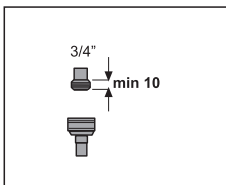
## Connect water inlet hose

Ensure that the water inlet hose is not bent or squeezed. Do not install a used hose set.

Use a screw-on hose connector to connect the water inlet hose to a water tap with a 3/4 inch external thread. If required, use a filter insert to filter deposits from the pipes.

Check that the connection does not leak.

**i** For safety reasons, turn off the tap after every rinse process.



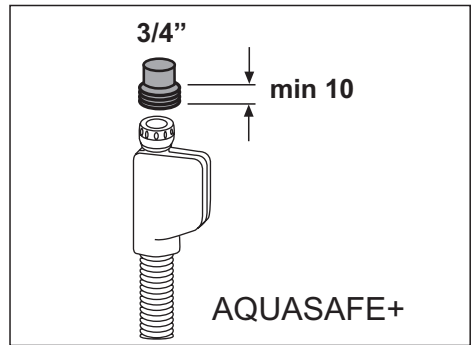
## AQUASAFE+ (depending on the model)

The AQUASAFE+ System protects against water damage which may be caused at the water inlet hose.

**⚠** Do not immerse the system's valve box into water; it contains electrical components.

**⚠** In case of damage, pull out the power supply plug.

**⚠** Do not shorten or lengthen the hose insert as it contains electrical cables and components.



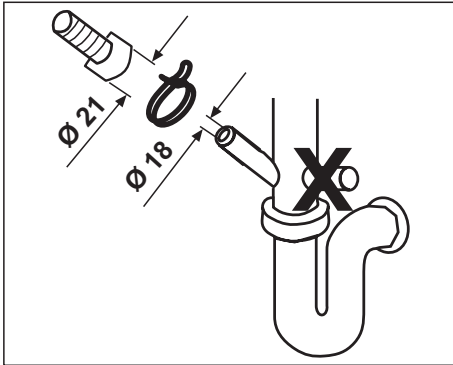
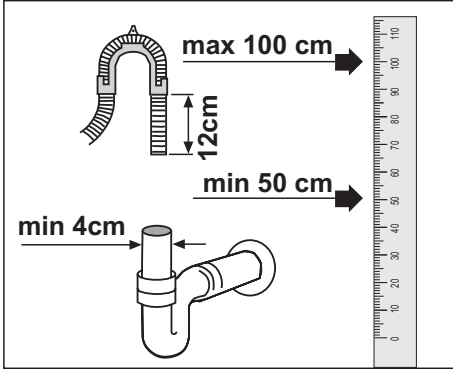


## Water drainage

Connecting the drainage hose.

Take care to ensure that the drainage hose is not bent or squeezed.

Check that the drainage hose is firmly seated.



## Extension hoses

If a hose extension is required, a drainage hose of equal quality must be used.

❶ The maximum length must not exceed 4m. Using a longer hose will produce poorer cleaning results.

## Siphon connection

❶ The drainage height must be between 50 and 100cm above the floor.

Use hose clamps to fasten the drainage hose to the siphon.

## Electrical connection

Please refer to the type plate for information on current type, mains voltage, and fuse protection.

The type plate is located on the inside of the door.


The mains plug must be freely accessible after installation.

Power cables and insulated cables must not be accessible (exposed) after installation.

## Disposal Packaging

The packaging and some parts of your appliance are made from recyclable materials. These materials are marked with the recycling symbol and the relevant material type (PE, PS, POM).

Before operating your appliance, remove the packaging material and dispose of it in accordance with regulations.

 Packaging materials may be dangerous to children. Reusable substances may be dropped off at your local disposal facilities. You may obtain further information from your local authorities and disposal facilities.




### **Used appliances – Environmental notice**

This product must not be disposed of with your regular household waste. Instead, you need to dispose of the waste equipment by handing it over to a designated collection point for the recycling of waste electrical and electronic equipment. This is indicated by a symbol to be found on the product, it's packaging or in the manual.


Materials used are recyclable according to their labelling. Reuse, recycling of materials and further reutilization of used products are important contributions to protect our environment.

Please ask your local town council for the nearest collection point.


 To avoid possible dangers, disable your waste appliance prior to discarding it. Pull the mains plug and cut the power cord. Disable any door locks.

## **4 Using Your Dishwasher**

---

 The electricity and water connections of the dishwasher must be in compliance with the instructions in this booklet.

### **Filling the dishwasher salt**

 Only use special dishwasher salt in your appliance. The manufacturer is not liable for damage resulting from the use of the wrong type of salt.

Use Dishwasher salt only. Moderate or coarse grained and easily soluble salts are recommended. Don't use table salt, or any other type, these types of salt do not dissolve in water easily and will damage the softening device.

Remove the lower basket from the appliance.

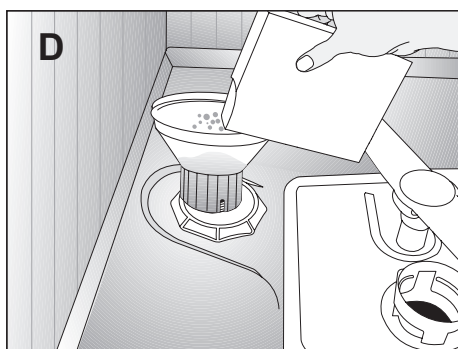
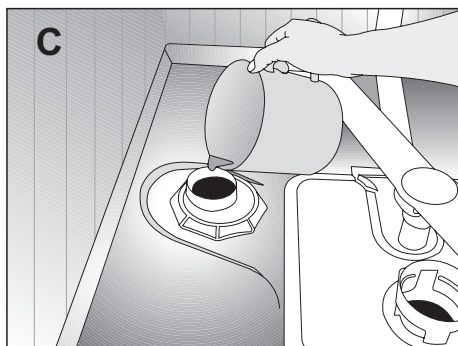
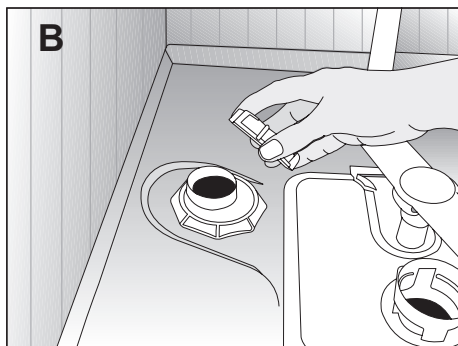
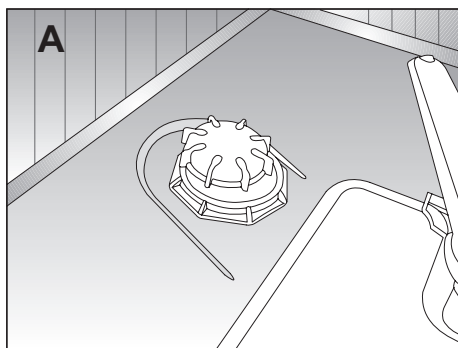
Open the screw-in cap of the salt container by turning it counter clockwise (fig. **A,B**).

## When operating for the first time:

- Pour 1 litre of water into the salt container (Fig. C).
- Pour the salt into the container with the aid of the salt funnel provided (Fig. D).
- Pour in enough salt to fill the container. The container holds approx. 2 kg.
- To speed up the rate of dissolution of salt in water, stir it with a spoon.
- Close the cap tightly.
- Begin a washing program immediately after filling the salt container. The washing program prevents damage to the appliance which may be caused by any spilled salt solution. After the first washing cycle, the salt level indicator light will go out.

**i** Depending on the particle sizes of different salt brands in the market, tablet properties and water hardness, dissolution of the salt in water may take a couple of hours.

So, the salt indicator continues lighting for a while after filling salt into the machine. (For models with a salt indicator)



## Filling the Rinse Aid Dispenser

Rinse aids allow washing water to rinse off more cleanly and prevent watermarks or streaks on the dishes. Only use rinse aid designed for use in dishwashers.

**i** If you use “2 in 1” or “3 in 1” detergents / tablets, you do not need an additional rinse aid.

Open the rinse aid dispenser by pressing the locking lever (**B**)

Carefully pour in rinse aid to the MAX mark. Close the lid until it clicks (**3**).

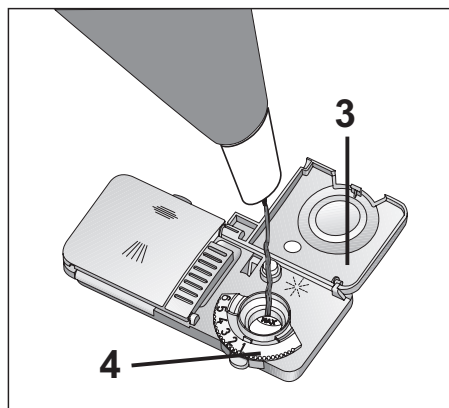
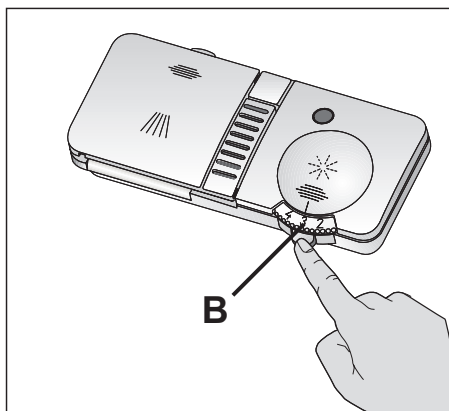
Carefully wipe off spilled rinse aid. Excessive rinse aid causes excessive foam formation, which may hinder cleaning.

### Set the dose of rinse aid

The dose of rinse aid to be used can be set by means of the dispenser regulator (between levels 1 and 6) (**4**). Your appliance is pre-set at the factory to level 3.

Only change the setting if the following applies after washing:

- Watermarks are visible on the dishes: Set dosage higher
- Streaks are visible on the dishes: Set dosage lower



## Filling the Detergent Dispenser

**i** Only use detergents formulated for use in dishwashers.

**⚠** Do not put solvents into the washing compartment; there is the risk of explosion!

Open the detergent container by pushing the locking lever to the right (**A**).

The lines on the inside of the detergent container will help you measure the correct amount of detergent.

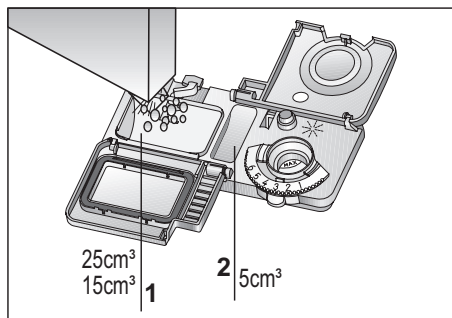
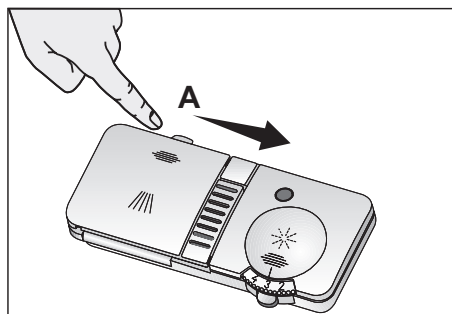
The detergent container holds a total of 40 cm<sup>3</sup> of detergent (1).

When the dishwasher is fully loaded and the dishes are very dirty, we recommend filling the detergent container up to the 25 cm<sup>3</sup> mark. When the dishes are less dirty, it is generally sufficient to fill the detergent up to the 15 cm<sup>3</sup> mark.

If your dishes have been in the dishwasher for some time without being washed, you should also fill the small detergent container up to the line (2).

The programme table shows the amounts of detergent required for the different wash programmes.

These may differ according to how dirty the dishes are and the water hardness in your location.



## Detergent

Please use detergents produced specially for the dishwashers in your machine.

⚠ Keep the opened detergent packages in a cool and dry place where children can not reach.

⚠ We recommend you not to use detergents that contain chlorine and phosphate as they are harmful for the environment. Detergents that contain enzymes are effective in temperatures below 50 °C and help to obtain the same washing efficiency as obtained at higher temperatures.

Put the detergent into the detergent dispenser just before operating the machine.

Please contact the manufacturer to get detailed information about the detergent you are using.

ⓘ Always use powder detergents in short programs without pre-washing. Fill in the powder detergent into the compartment nr. 2 with a grid cover as shown in the picture and close the detergent box lid. When completely full, this compartment will contain 6 g of powder detergent.

ⓘ Do not use tablet detergents in short programs since the solubility of them changes depending on the temperature and time.

In programs with pre-washing and high temperature, in which you may use tablet detergents, make sure that the detergent box lid is closed firmly.

Excessive usage of powder detergents can cause the detergent not dissolve completely and can also cause scratches on the glassware.

## **Multipurpose Detergents**

The best washing results in dishwashers is obtained by using detergent, rinse aid and water softening salt individually.

New products of the detergent producers what they call as “Multipurpose Detergent” can act as water softening salt and/or rinse aid in addition to acting as a detergent. Some types of these detergents can also contain special-purpose washing chemicals such as glass and stainless steel protectors.

Multipurpose detergents commonly found in the market:

2in1: Those contain detergent, rinse aid or water softening salt.

3in1: Those contain detergent, rinse aid and water softening salt.

4in1: Those containing glass protectors in addition to detergent, rinse aid and water softening salt.

5in1: Those containing glass and stainless steel protectors in addition to detergent, rinse aid and water softening salt.

Multipurpose detergents give satisfying results only under certain usage conditions. Observe the instructions of the detergent manufacturer on the package when using such detergents.

Contact the detergent producer if your dishes are wet and/or if you notice lime spots particularly on your glasses after the washing program is over.

When you give up using such detergents:

Make sure that salt and rinse aid compartments are full.

Set the water hardness to its highest degree and perform an empty run.

After the empty washing review the user manual and readjust the water hardness level so as to suit your water supply.

Make the appropriate rinse aid settings.

Depending on the model, salt indicator and/or rinse aid indicator should be enabled again if they are disabled before.

## **Loading the dishwasher**

### **General:**

Before you load the dishwasher with dishes

- Remove coarse food leftovers
- Place all containers such as cups, glasses and pots into the machine with the opening facing downwards (so that no water can collect)
- Dishes and cutlery may not be placed above each other
- Glasses may not touch

- The movement of the spray arms must not be hindered
- Place all large and very dirty items in the lower basket.
- Small and light items can go into the upper basket.
- Long and narrow items are placed in the middle of the baskets.

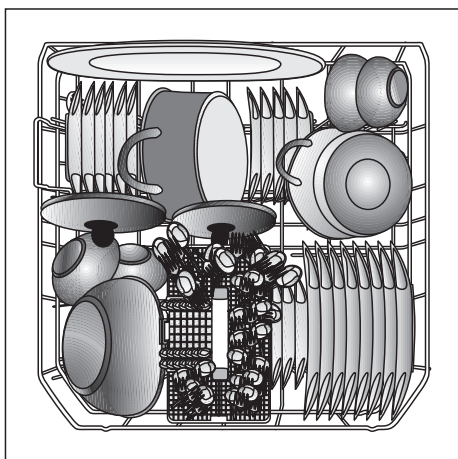
⚠ Knives and other utensils with sharp tips and edges must be placed horizontally into the upper basket due to risk of injury.

**i** Please do not overload your dishwasher and pay attention to the notes regarding dishes which are suited to the dishwasher. Only in this manner will you obtain optimal washing results with a sensible use of energy.

**i** Start unloading the dishes from the lower basket, then switch to the upper basket.

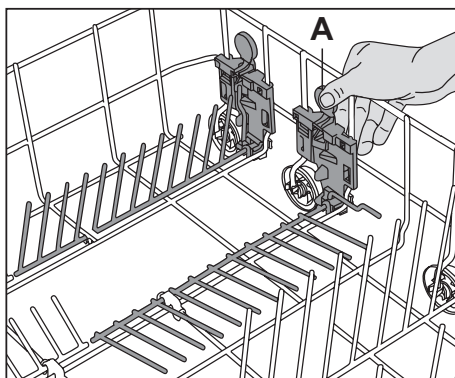
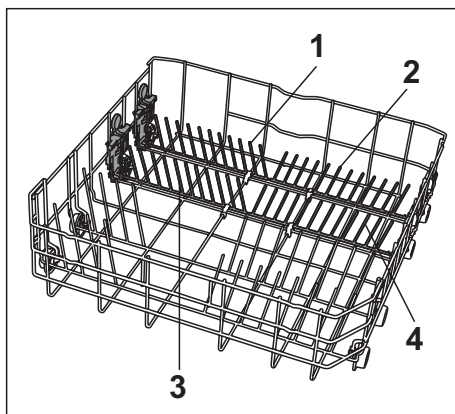
## Suggestions for loading the dishwasher

Use the lower basket for plates, bowls, pots etc.



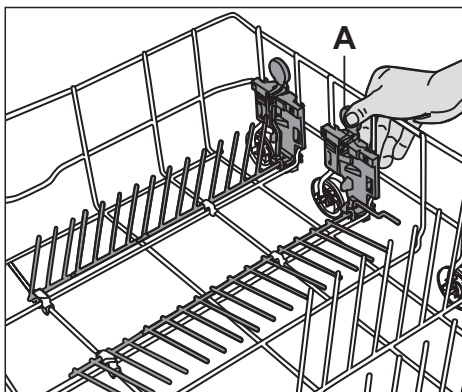
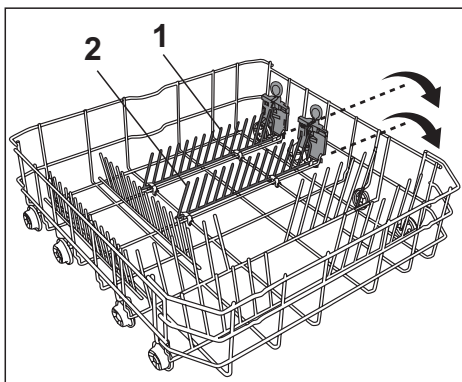
## 4 folding plate support rods (depends on the model)

There are four separate “folding plate support rods” in the lower basket of your dishwasher designed to allow you more space to accommodate saucepans and large bowls in the lower basket. You can either fold each section (1, 2, 3, 4) individually or, all at once, to create a large empty space. Simply press the handgrips (A) and fold them down”



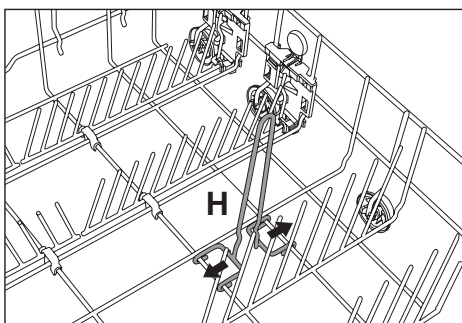
## 2 folding plate support rods (depends on the model)

There are two separate “folding plate support rods” in the lower basket of your dishwasher designed to allow you more space to accommodate saucepans and large bowls in the lower basket. You can either fold each section (1, 2) individually or, all at once, to create a large empty space. Simply press the handgrips (A) and fold them down”



## Bottle holder (depends on the model)

For cleaning your bottles. To remove, pull the holders apart in opposite directions (H).





## Variable cutlery basket (depends on the model)

The variable cutlery basket can be separated into 3 parts depending on the amount of cutlery and the degree of dirtiness.

Small cutlery basket sections also fit into the upper basket.

To do this, turn the lock on the handle to the right (A).

Pull the smaller cutlery basket upwards and out of its holders (B).

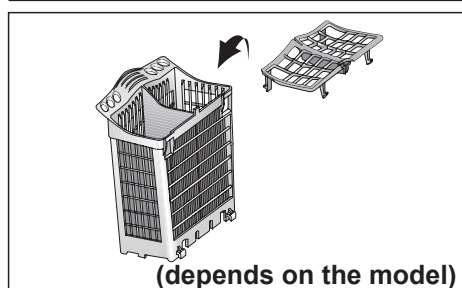
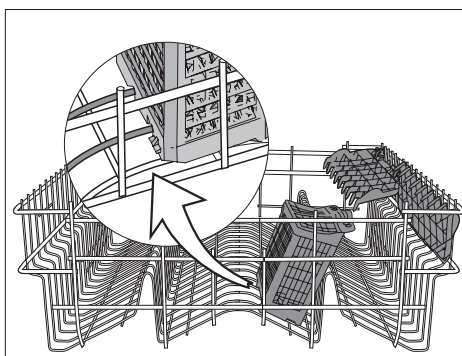
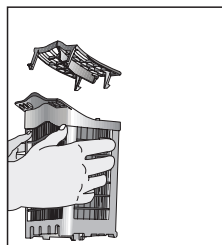
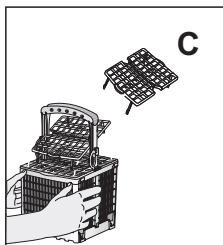
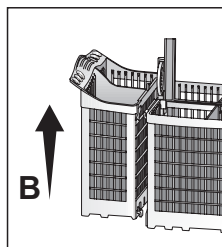
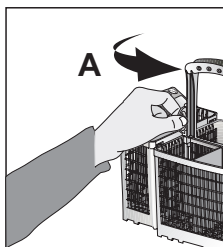
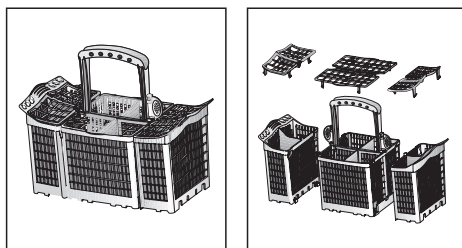
To put the parts together again, proceed in the opposite direction.

Use the basket inset (C) for your cutlery so that all items in the basket are surrounded by a sufficient water flow.

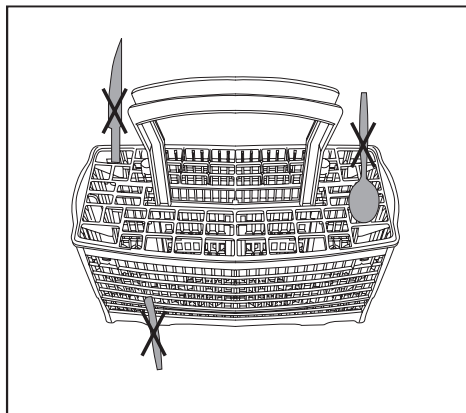
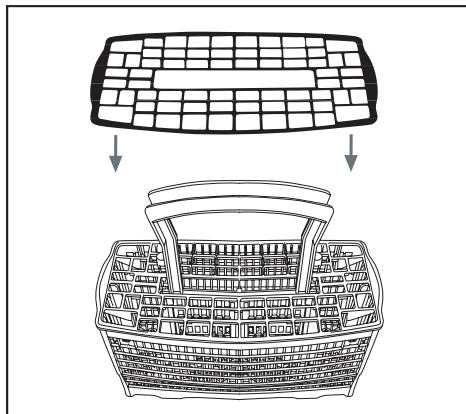
For larger items (e.g. wire whisks), the basket inset may be removed (C).

To make loading easier, the cutlery basket can be removed.

Place long items such as ladles, cooking spoons etc. on the rack in the upper basket.

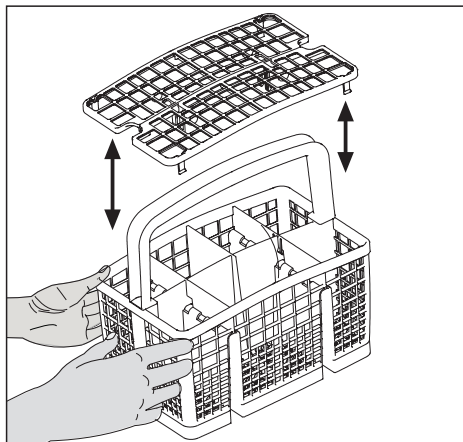
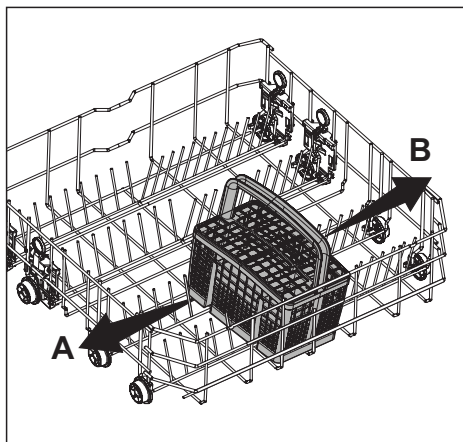


## Cutlery Basket (depends on the model)



## Movable Cutlery Basket (depends on the model)

Designed to allow free placement of the dishes according to their size, the movable cutlery basket can slide over the tines to the left (A) and right (B) side.



## Basket insert with variable height settings (depends on the model)

You can also use this insert in the lower basket for glasses and long-handled cutlery / utensils.

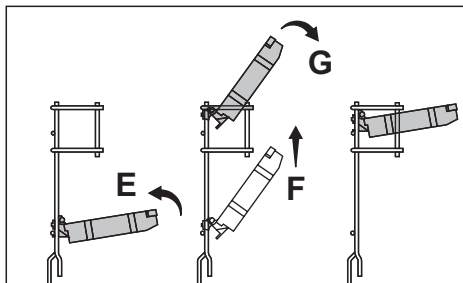
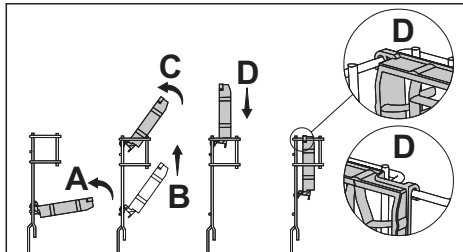
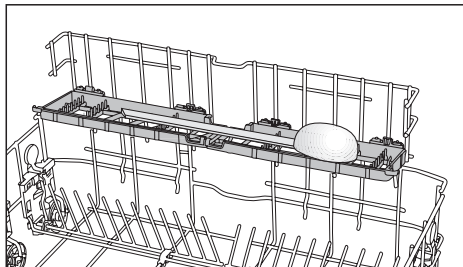
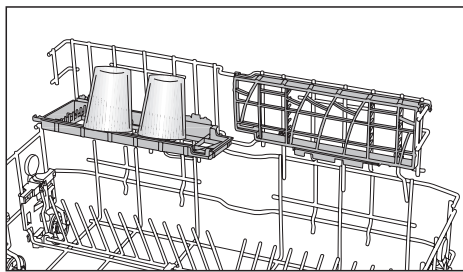
If you do not need the insert, fold the rack upwards at the angle shown (A).

Push the entire insert upwards (B). Place the insert in the upright position (C). Push the insert downwards and lock it into place with the holder (D).

When you want to use the basket again, reverse the procedure.

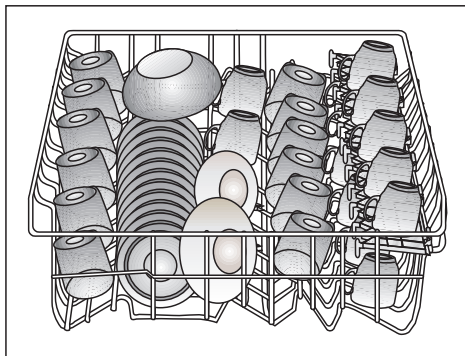
To set the height, push the rack upwards and fold it open in position (G).

When finished, check that the sprayer arm can still move freely.



## Loading suggestions

Load the upper basket with dessert plates, cups, glasses etc.

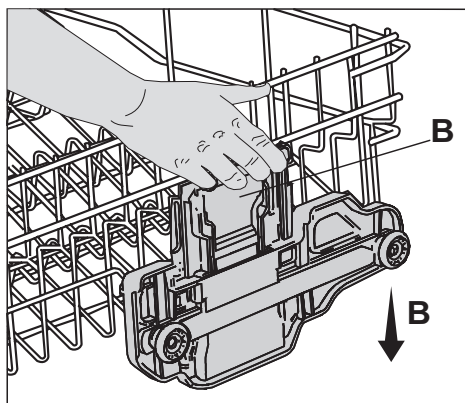
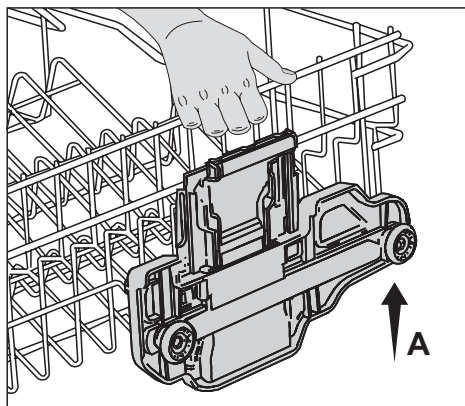


## Upper basket with variable height setting (depends on the model)

The upper basket is equipped with a lifting mechanism which enables you to change the height of the basket without having to remove it from the dishwasher, even if it is fully loaded.

The height of the upper basket was set to its lowest position at the factory. To lift the upper basket to the “high” (A) position, hold it on one side and carefully pull it upwards. To lift the opposite side of the basket, hold it and pull it upwards in the same manner (A).

To lower the upper basket, hold the basket lever on one side and carefully lower the basket without releasing the lever (B). Repeat the procedure with the lever on the opposite side of the basket. Make sure that both levers catch at the same height.

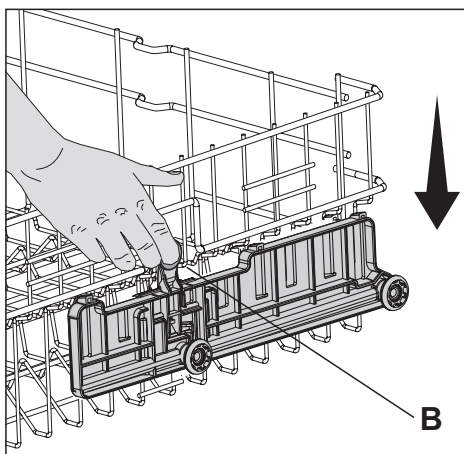
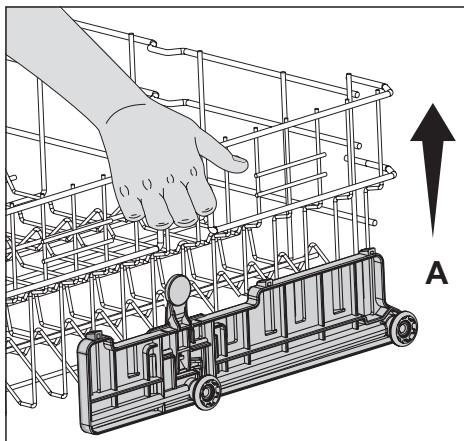


## Upper basket with variable height setting (depends on the model)

The upper basket is equipped with a lifting mechanism which enables you to change the height of the basket without having to remove it from the dishwasher, even if it is fully loaded.

The height of the upper basket was set to its lowest position at the factory. To lift the upper basket to the “high” (A) position, hold it on one side and carefully pull it upwards. To lift the opposite side of the basket, hold it and pull it upwards in the same manner (A).

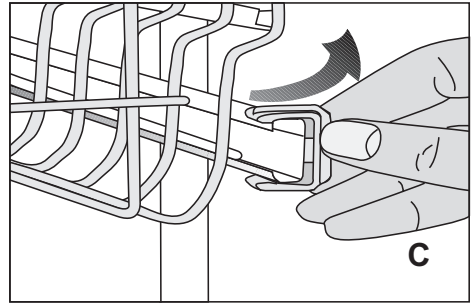
To lower the upper rack, hold and press in the rack lever on one side and carefully lower the rack without releasing the lever (B). Repeat the procedure with the lever on the opposite side of the basket. Make sure that both levers catch at the same height.



### Height setting with empty basket (depends on the model)

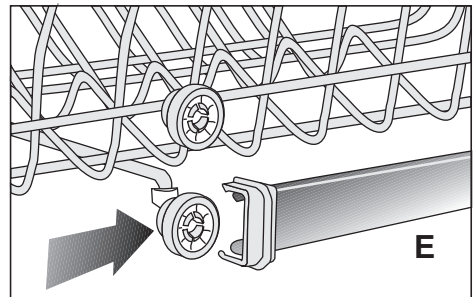
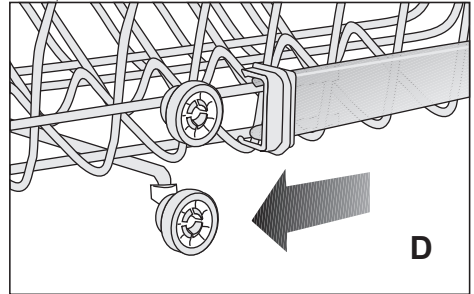
In this model, the height setting of the upper basket may be changed using the wheels which are mounted at two different heights.

Release the latches on both the right and left tracks of the upper basket by pushing them outwards (C).



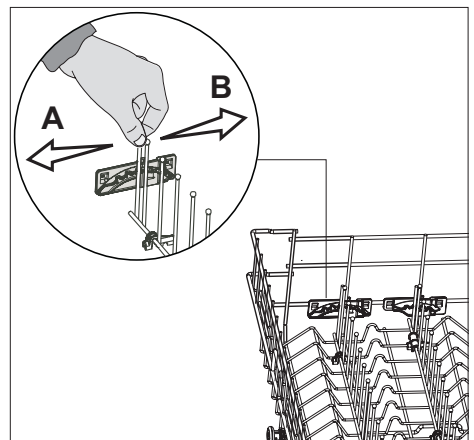
Pull out the basket out completely (D).

Place the basket back into the tracks at the desired height (E).



### Folding Tines (depends on the model)

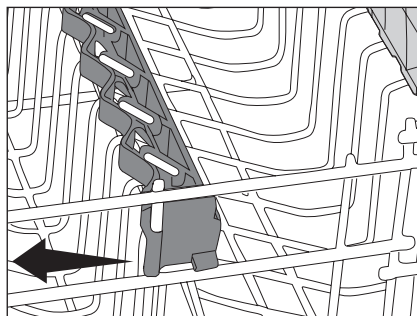
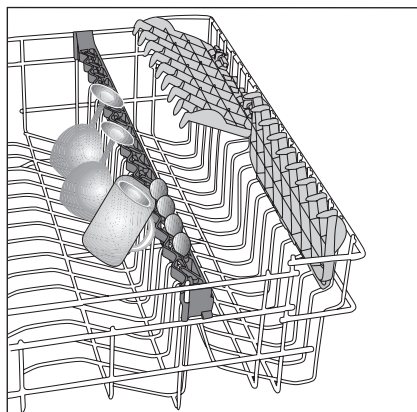
There are “folding tines” in the upper rack to allow you more space to accommodate glasses or cups. Simply pull in the first front folding tine, move it to left (A) and right (B) to place in another position. When you need, take the tines down until the tines fall down.



## Glass Support (depends on the model)

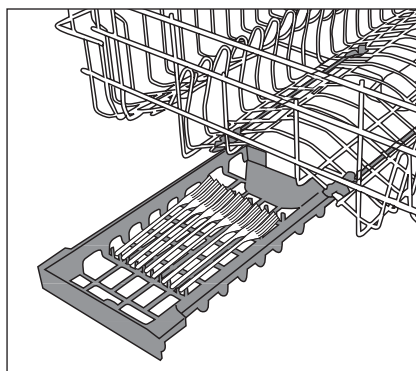
When placing the glasses or goblets with a long grip, lean them against the glass support, the edge of the basket or the shelf but not against the other pieces. Do not lean the long glasses against each other, otherwise they do not remain stable during washing cycle and may get damaged.

When you need to place the bulky pieces into the upper basket, disconnect the lug of the glass support from the bar of the basket where it is attached to. Thus, you will acquire a wider place.



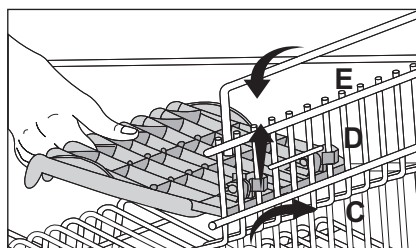
## Upper Basket Drawer (depends on the model)

You can easily place additional desert spoons, small forks and knives into the drawer installed to the upper basket of your machine.

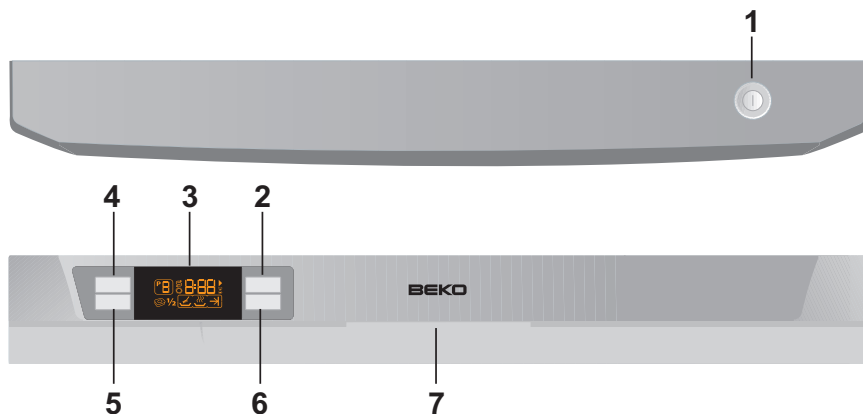


## Rack (depends on the model)

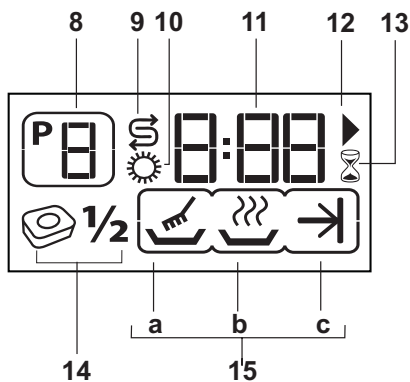
Depending on the size of the glasses and cups, the rack height setting may be adjusted (C, D, E).



## 5 Program Selection and Operating Your Machine



- |                              |                                      |
|------------------------------|--------------------------------------|
| 1. On / Off Button           | 5. Half Load/Tablet Detergent Button |
| 2. Start/Pause/Cancel Button | 6. Delayed Start Button              |
| 3. Display                   | 7. Handle                            |
| 4. Program Selection Button  |                                      |



- |   |  |
|---|--|
| 8. Program Indicator                              | 14. Half Load/Tablet Detergent Indicator |
| 9. Salt Indicator                                 | 15. Program Steps Follow-up Indicator    |
| 10. Rinse Aid Indicator                           | a Washing Step Indicator “☹️”            |
| 11. Remaining Time Indicator/Delay Time Indicator | b Drying Step Indicator “☹️”             |
| 12. Start Indicator                               | c End of Program Indicator “→”           |
| 13. Delayed Start Indicator                       |  |



## Button and Button Descriptions

### On / Off Button (1)

When you press the On/Off button, the display switches on with the last program used and it dims when you turn the machine off.

If the Half Load/Tablet Detergent (5), function are enabled during the last program used, these functions will remain active when the machine is turned off and on again. If you would like to disable these functions after turning the machine off and on again, you must press the relevant buttons.

### Start / Pause / Cancel Button (2)

It is used to start, pause or cancel the selected program or the delayed start countdown. The selected program will start running when the Start / Pause / Cancel button (2) is pressed. When the button is pressed, (12) lights up.

Wait for two seconds to view the full display on the screen after you turn on the machine by pressing the On/Off button (1) before you press Start / Pause / Cancel (2) button.

### Program Selection Button (4)

You can select the washing program you want to use with the aid of the "Program Data and Table of Average Consumption Values" after pressing the program selection button. Number of the selected program appears in the program indicator (8) on the display (3) in the format of  $\text{P } \underline{1}$ ,  $\text{P } \underline{2}$ ,  $\text{P } \underline{3}$ , .....

Program number will increase by one each time you press the program selection button. Number of the defined

programs can change depending on the model you have purchased.

### Half Load / Tablet Detergent Button (5)

Half Load / Tablet Detergent Button allows you to turn on and off the Half Load and Tablet Detergent functions of your machine.

### Half Load Function

If you want to run your machine without loading it completely, place your dishes into the machine as you desire. Press On / Off button to turn on your machine. Press the Half Load / Tablet Detergent button after selecting the desired programme until Half Load Indicator lights up, then press Start / Pause / Cancel button and close the door of your machine. With the Half Load option you can use every part of your lower and upper baskets and you can save from both water and power.

### Tablet Detergent Function


Depending on the hardness level of the tap water, the Tablet Detergent function allows obtaining a better drying performance from the multi-purpose detergents such as 2in1, 3in1, 4in1, 5in1, etc., called as all-in-one detergents. Tablet Detergent Indicator lights when the Tablet Detergent function is selected.

Salt and Rinse Aid indicators turn off when this function is activated.

Turn on your machine by pressing the On / Off key to use the Tablet Detergent function. Press the Half Load / Tablet Detergent button after selecting the desired programme until Half Load Indicator lights up, then press Start / Pause / Cancel button and

close the door of your machine.

To use the Half Load and Tablet Detergent functions concurrently, turn on your machine by pressing the On / Off button and then press the Half Load / Tablet Detergent button until Half Load and Tablet Detergent Indicators illuminate together.

 If you have used the Half Load or Tablet Detergent features during the last programme you used, Half Load or the Tablet Detergent function will remain active in the next washing programme you will select. If you do not want to use these functions in the new programme you have selected, press the Half Load / Tablet Detergent button until the indicator of the relevant function turns off.

### **Delayed Start Button (6)**

You can delay the start of the selected program until 9 hours with increments of 1 hour by means of the Delayed Start Function.

### **Program Selection**

You can select the desired program after turning on the machine by pressing the On / Off button (1). Switch to the program you want to operate by pressing program selection button (4). You can follow up the program you are in from the program indicator (8) on the screen. Program number will increase by one each time you press the program selection button (Number of the defined programs can change depending on the model you have purchased). The selected washing program will start running when the Start / Pause / Cancel button (2) is pressed ► symbol (12) light up.

Time indicator (11) will start displaying the estimated remaining time to the end of program.

**Total time can be different from the time indicated at the beginning since it can change while the program is running, depending on the temperature of the room where your machine is installed, temperature of the supply water, auto-cleaning of the water softening system (regeneration) and amount of the dishes.**

### **Adding Functions to the Program**

With the help of the add function buttons, you can run the selected program together with the Half Load  $\frac{1}{2}$  (5) and Delayed Start (6) functions.

To add a function to the program:

1. Select the program by pressing program selection button (4).
2. Press the button of the function that you want to enable and check to see a indicator for the relevant function on the display.
3. You can start the program by pressing the Start / Pause / Cancel button (2).

### **Program Steps Follow-up**

You can follow up the step while current program is running from the Program Steps follow up indicator (15)  
**a** Washing Step Indicator (15 a)  
**b** Drying Step Indicator (15 b)  
**c** End of Program Indicator (15 c)

The display shows the steps for washing **15 a** and drying **15 b**, respectively, while the selected program is running. Only the End of

Program indicator **15 c** lights up when the program is over. Remaining Time Indicator (**3**) displays "0:00".

## Canceling a Program

Press Start / Pause / Cancel button (**2**) for three seconds to cancel a program that is already running. Release the button when ► symbol (**12**) start flashing in the display. For a couple of minutes the machine will fulfill the necessary operations required for cancellation. Remaining time indicator (**11**) displays "0:00". You may select and operate a new program following the program cancellation process. There might be residues of detergent or rinse aid left in the machine and/or on the pieces being washed depending on the step the previous program was in at the time of such cancellation.



## Changing a Program

If you want to change running program, first of all press Start / Pause / Cancel button (**2**) to switch your machine into pause mode. Second, switch to the desired program by pressing Program Selection button (**4**). Third, Start the new program by pressing Start / Pause / Cancel button (**2**) again. Your new selection will resume operation from the step in the previous program (For example, if the previous program was in rinsing step, the new one will also start from the rinsing step). If you want to run the newly selected program from the beginning, you have to apply the program cancellation process first and then select a new program.


## Programming the Delayed Start

You can delay the start of the selected

program until 9 hours. Delayed start can not be set after the program starts. The selected program must not be started in order to be able to set the delay time.

Delayed start indicator  sand glass (**13**) will start flashing when the delayed start button (**6**) is pressed. You can set the desired time by pressing the delayed start button (**6**). Press the Start / Pause / Cancel button (**2**) after setting the time. The delayed start indicator  sand glass (**13**) and play icon (**12**) will remain lit on the display during the delayed start countdown and the delay time indicator (**11**) will display the remaining time. Program will start automatically when the countdown is over.

You can use the delayed start function if you are utilizing the economic electricity tariff.

If you want to change the program or functions while the delayed start function is enabled, then pause the machine by pressing the Start / Pause / Cancel button (**2**). You will see that the countdown stops. The delayed start indicator  will start flashing. Select the new program and/or add the functions as described in **Program Selection and Table of Average Consumption Values**. Resume the delayed start countdown by pressing the Start / Pause / Cancel button (**2**).

If you want to cancel delayed start countdown while it is in progress, then press the Start / Pause / Cancel button (**2**) for three seconds. Release the button when ► symbols (**12**) start flashing in the display. For a couple of

minutes the machine will fulfill the necessary operations required for cancellation. Remaining time indicator (11) displays "0:00". You may select and operate a new program following the delayed start countdown cancellation process.

If you want to select a new delayed start time while the delayed start countdown is in progress, then pause the machine by pressing the Start / Pause / Cancel button (2). Set the desired time by pressing the Delayed Start Button (6). Start the countdown for the new time by pressing the Start / Pause / Cancel button (2) again.

## Salt Indicator

Please check the salt indicator (9) on the display to see whether there is enough softening salt in your machine or not. You need to refill the powder dispenser whenever the salt warning indicator light lights.

### WARNING:

If the water hardness level is stored as (r1), salt indicator will never come on even if the salt container is empty. (Adjusting the water hardness level is explained in Water Softening System section.)

## Rinse Aid Indicator

Check the rinse aid warning display (10) on the screen to find out if there is sufficient amount of rinse aid in your machine. You must refill the rinse aid container when the rinse aid indicator comes on.

### WARNING:

If the Rinse Aid Indicator is set to

(OFF), rinse aid indicator will never come on even if the rinse aid container is empty.

## Rinse Aid Indicator Setting

- When your machine is switched off, press Half Load  $\frac{1}{2}$  button (5) and then On / Off button (1) to switch it on.
- Hold Half Load/Tablet Detergent button (5) pressed and release On / Off button (1).
- Keep Half Load/Tablet Detergent button (5) pressed for three seconds more.
- Rinse Aid Indicator (10) comes on and the stored rinse aid indicator status of your machine appears on the display in the format of "ON" or "OFF".
- You can change the status of the indicator as "ON" or "OFF" with Start / Pause / Cancel button (2). If you switch off the machine with "On/Off" button (1) when the status is "ON", then the rinse aid indicator will come on when the rinse aid level in your machine becomes low while the machine is in use. If you switch off the machine with "On/Off" button (1) when the status is "OFF", then the rinse aid indicator will never come on.

## Starting Your Machine

- Plug the mains plug into the wall socket.
- Open the tap.
- Open the door.
- Place the dishes.
- Check if the upper and lower impellers rotate freely.
- Put sufficient amount of

detergent in the detergent dispenser and close its lid.

- Press On/Off button.
- Check if the salt and rinse aid warning indicators (9,10) light and add salt and/or rinse aid if needed.
- Determine your washing program with the aid of the Program Data and Table of Average Consumption Values.
- You can select the determined washing program by pressing program selection button (4).
- You can see the program time in the Remaining Time Indicator (11).
- If necessary, you can change your washing program as you prefer by means of the Add Function Buttons (5, 6).
- Start the program by pressing the Start / Pause / Cancel button (2).

cooled down. Your dishes will dry in a shorter time if you leave the door of your machine ajar during this period. **This will increase the drying effectiveness of your machine.**

#### **WARNING:**

Pay attention not to open the door of the machine when it is running. Stop the machine by pressing Start / Pause / Cancel button (2) if you have to open the door. Then, open the door of your machine. There may be a rush of vapor when you open the door of your machine; be careful. Close the door and press Start/Pause/Cancel button (2) again. Program will resume running.

- End of Program indicator (15 c) will light up.
- Turn off your machine by pressing On / Off button (1).
- Close the tap.
- Unplug the mains plug from the wall socket.
- Leave your dishes in the machine for about 15 minutes after they are washed in order to have them

## Programme Table

Programme number	1	2 Reference*	3	4	5
Programme name	<b>Prewash</b>	<b>Eco</b>	<b>Quick &amp; Clean</b>	<b>Intensive</b>	<b>Auto</b>
Cleaning temperature	-	50 °C	60 °C	70 °C	40 °C-65 °C
Degree of Soiling	Suitable for removing the remnants on the soiled dishes that will be kept waiting in the machine for a few days, and thus, for preventing the bad odor buildup.	Most economical washing program for the medium soiled daily dishes that are kept waiting.	Daily washing program at which the medium soiled dishes that are kept waiting are cleaned in the fastest way.	Suitable for heavily soiled dishes, pots and pans.	Determines the soiling degree of the dishes and sets the temperature and amount of the washing water, as well as the washing time automatically. Suitable for all types of dishes.
Detergents A=25 cm <sup>3</sup> /15 cm <sup>2</sup> B=5 cm <sup>3</sup>	-	Medium	Medium	High	Medium to high
Programme sequence (without options)	Pre-wash ▼ End	<b>A+B</b>  Pre-wash ▼ Wash ▼ Cold rinse ▼ Hot Rinse ▼ Dry ▼ End	<b>A+B</b>  Wash ▼ Cold rinse ▼ Hot Rinse ▼ Dry ▼ End	<b>A+B</b>  Pre-wash ▼ Wash ▼ Cold rinse ▼ Hot Rinse ▼ Dry ▼ End	The programme sequence is adjusted to the amount of soiling
Duration (min)	15	144	58	115	81-163
Water (l)	4,2	15	11,8	17,5	12,6-17,0
Energy (kWh)	-	1,03	1,32	1,67	1,09-1,84

The consumption values shown in the table were determined under standard conditions. Differences may therefore occur under practical conditions.

\* Reference programme for testing institutes The tests in accordance with EN 50242 must be carried out with a full water softener salt dispenser and a full rinse aid reservoir, and using the test programme.

## 6 How to clean your dishwasher

Cleaning your machine at regular intervals ensures longer product life and reduces the risk of recurring problems.

**⚠** Always unplug the machine and turn off the water supply before cleaning. Use a gentle household cleaner for the outside and the door seals. Clean the control panel only with a moist cloth and clear water.

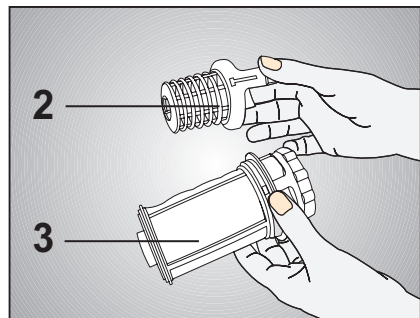
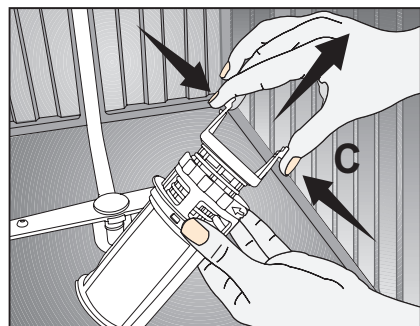
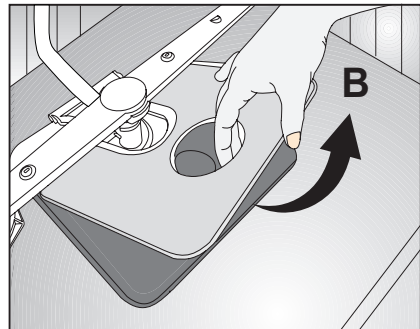
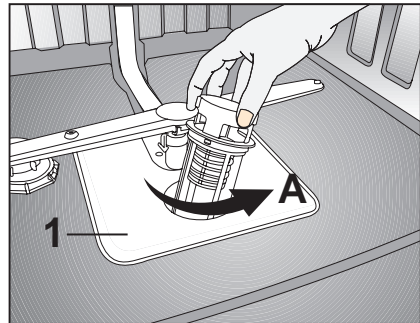
### Cleaning the filters

Clean the filters and the spray arms regularly. A dirty machine will have a negative effect on the cleaning results.

1. Main filter
2. Coarse filter
3. Micro filter

1. Remove the lower basket from the machine.
2. Turn the coarse filter to the right and pull it out in an upward direction (A).
3. Pull out the main filter (B).
4. Press on the two tongues of the coarse filter and remove the micro filter (C).
5. Clean the filters thoroughly under running water. Use a brush if necessary.
6. Replace main filter.
7. Replace the micro filter and the coarse filter into the main filter. Twist it clockwise until it clicks in.

**i** Do not operate your dishwasher without a filter. Ensure that your filters are correctly installed. Clean the filters regularly.

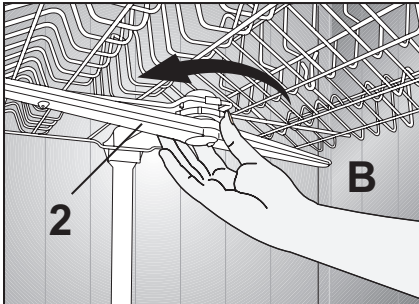
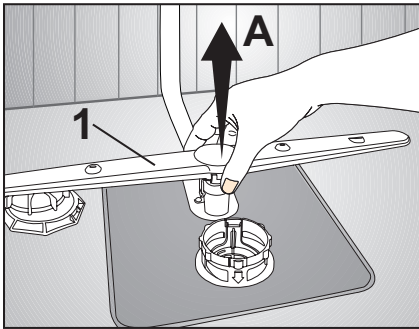


## Cleaning the spray arms

Dirt or calcium residue may block the nozzles on the spray arms. For this reason, regularly check the spray arm nozzles.

1. Lower spray arm
  2. Upper spray arm
1. Remove the lower basket from the machine.
  2. Pull off the lower spray arm in an upward direction **(A)**.
  3. Loosen the fastening screw of the upper spray arm and pull off the spray arm **(B)**.
  4. Clean the spray arms under running water.
  5. Replace the spray arms.

**i** Ensure that the fastening screws are screwed tight.



## Cleaning the filter inset in the water inlet hose (depends on the model)

Dirt from deposits in the water pipes is prevented by a filter in the water inlet hose. Check the filter and the water inlet from time to time.

1. Close the water tap and unscrew the water inlet hose.
2. Take out the filter and clean it under running water.
3. Replace the cleaned filter.
4. Fasten the water inlet hose to the water tap again.



## 7 Troubleshooting:

---

### What to do if the dishwasher will not run

- Check that the mains plug is properly connected.
- Are all fuses working?
- Is the water supply fully turned on?
- Is the dishwasher door closed firmly?
- Have you pressed the On/Off button?
- Is the filter on the water intake and dishwasher clogged?

### The cleaning results are unsatisfactory



**Uncleaned Dishes**

#### **Disorderly placement**

- Load your dishes as described in the manual.

#### **Program selection**

- For products with program selecting feature, choose a longer program that washes in higher temperatures.

#### **Blocked impellers**

- Prior to starting the program, ensure by turning by hand that the upper and lower impellers are freely rotating.

#### **Clogged filters**

- From time to time, remove the complete filter system as shown in the manual and wash it under flowing water.

#### **Misplaced or displaced filters**

- After washing the filter system, replace them as shown in the manual.

#### **Clogged impeller holes**

- Take out and clean the impellers from time to time as shown in the figure.

#### **Overloading the baskets**

- Do not overload the baskets in excess of their capacity

#### **Detergent kept under unsuitable conditions**

- If you are using powder detergents, do not store them in humid places after you open their boxes. Keep them in a closed container, if possible. For ease-of-storing, we recommend you to use tablet detergents.

#### **Inadequate detergent**

- If you are using powder detergents, adjust the amount of detergent according to the soiling degree of your dishes and/or program definitions. We recommend you to use tablet detergents for optimum results.

### **Inadequate rinse aid**

- Increase rinse aid setting or add rinse aid into rinse aid compartment.

### **Unsealed detergent dispenser lid**

- Always ensure that the detergent compartment lid is closed tightly after every detergent filling process.

## **Drying**

### **Disorderly placement**

- Load your dishes as described in the manual.

### **Inadequate rinse aid**

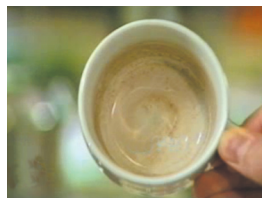
- Increase rinse aid setting or add rinse aid into rinse aid compartment.

### **Unloading the machine right after dishwashing**

- Do not unload your dishwasher right after washing process is completed. Slightly open the door and wait for evacuation of the inside steam for a while. Unload the dishes after the pieces cool down to a touchable level. Start unloading process from the lower basket.

### **Program Selection**

- For products with program selecting feature, choose a longer program that washes in higher temperatures.



## **Tea, Coffee And Lipstick Stains**

### **Program Selection**

- For products with program selecting feature, choose a longer program that washes in higher temperatures.

### **Detergent kept under unsuitable conditions**

- If you are using powder detergents, do not store them in humid places after you open their boxes. Keep them in a closed container, if possible.
- For ease-of-storing, we recommend you to use tablet detergents.

### **Usage of silverware-kitchenware with corrupted surface quality**

- Silverware or kitchenware with corrupted surface quality should not be washed in dishwashers.



## Lime Stains, Hazy Look

### Inadequate rinse aid

- Increase rinse aid setting or add rinse aid into rinse aid compartment.

### Insufficient water softening

- In products equipped with water softening setting, water softening should be properly set in accordance with the hardness of the supply water. Add salt into the salt container, if necessary.

### Salt leakage\*

- Use the supplied salt funnel while filling in softening salt. Make sure that the salt box cover is tightly closed after finishing the filling process. Run a washing program to clean up the salts spilled in the machine. Recheck the salt box cover after the program is completed.

## Metallic Look In Bluish Rainbow Color

### Excessive rinse aid

- Lower rinse aid setting.



## Hazy, Milky-Dish Look And Bluish / Rainbow Color Appearance In Glassware When They Are Hold Against Light

### Glass corrosion due to soft water

- In products equipped with water softening setting, water softening should be properly set in accordance with the hardness of the supply water. If your supply water is soft (<5dH), do not use salt. For products with program selecting feature, choose programs that wash in higher temperatures (e.g. 60-65°C).



## Scratch / Break In Glassware

### **Kitchenware containing Aluminum**

- Kitchenware that contains aluminum should not be washed in dishwashers.

### **Salt leakage\***

- Use the supplied salt funnel while filling in softening salt. Make sure that the salt box cover is tightly closed after finishing the filling process. Run a washing program to clean up the salts spilled in the machine. Recheck the salt box cover after the program is completed.

### **Low water softening setting, inadequate salt\***

- In products equipped with water softening setting, water softening should be properly set in accordance with the hardness of the supply water. Add salt into the salt container, if necessary.

### **Detergent kept under unsuitable conditions**

- If you are using powder detergents, do not store them in humid places after you open their boxes. Keep them in a closed container, if possible. For ease-of-storing, we recommend you to use tablet detergents.

### **Overloading the baskets**

- In order to avoid scratches and breaks in glasses and other glass tableware because of collision with each other during washing process arising from their placement, do not overload the baskets in excess of their capacity.



## Rusts, Blackening And Corruption Of Surface

### **Unsealed closing of the salt box cover\***

- Salt may cause oxidation on metal surfaces. Use the supplied salt funnel while filling in softening salt. Make sure that the salt box cover is tightly closed after finishing the filling process. Run a washing program to clean up the salts spilled in the machine. Recheck the salt box cover after the program is completed.

### **Grounding line**

- Check if your dishwasher is connected to the actual grounding line. Otherwise, the static electric created in the dishwasher may remove the protective coating on metal surfaces and cause blackening and corruption.



## Detergent Remains In The Detergent Dispenser

### Damp detergent compartment

- Make sure that the detergent dispenser is well dried prior to filling it with detergent.

### Putting detergent in the detergent dispenser long before washing

- Take care that detergent is put shortly before startup of washing.

### Blocking the opening of detergent dispenser lid during washing

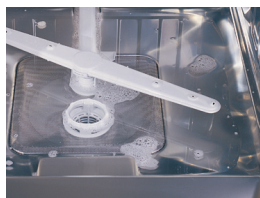
- Ensure that the lid of detergent dispenser is not blocked by improperly loaded dishes. The detergent dispenser lid should open without any block during washing.

### Detergent kept under unsuitable conditions

- If you are using powder detergents, do not store them in humid places after you open their boxes. Keep them in a closed container, if possible. For ease-of-storing, we recommend you to use tablet detergents.

### Clogged impeller holes

- Take out and clean the impellers from time to time as shown in the figure.



## Water Remained In The Dishwashing Compartment After Washing

### Clogged filters

- From time to time, remove the complete filter system as shown in the manual and wash it under flowing water.

### Blocking / twisting of drainage hose

- Connect the drainage hose as described in the manual.

## Odour

### Odor of new dishwasher

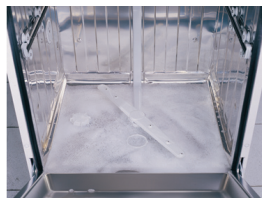
- A new dishwasher has a peculiar odor. It will fade out after a couple of washings.

### Clogged filters

- From time to time, remove the complete filter system as shown in the manual and wash it under flowing water.

### **Leaving the dishes in the dishwasher for a long time**

- If you are not going to run your dishwasher immediately, load the dishes into your machine after scraping the excessive soil on them and do not tightly close the door of the machine. Every other day, perform washing without detergent in the shortest program for products with program selecting feature.



**Foam**

### **Loading the dishes into the dishwasher without completely drying after washing them with hand-wash detergent.**

- Hand-wash detergents do not contain antifoam. There is no need to hand-wash the dishes with detergent before loading the dishes into the machine. Scraping the coarse soil on the surfaces with a tissue paper or fork will be sufficient.

### **Spilling rinse aid in the machine while filling**

- Take care that rinse aid is not spilled in the machine when you are filling it. Clean any spilled amount with the help of a tissue paper/towel.

### **Leaving the rinse aid lid open or not closing it**

- Rinse aid compartment should always be closed as shown in the manual after it is filled with rinse aid.



**Erasing Of Decorations**

### **Usage of decorated glasses and porcelains**

- Decorated glasses and decorated luster porcelains are not suitable for dishwasher washing. Manufacturers of glassware and porcelain tableware items do not recommend washing these items in the dishwashers either.

\*: In products with a salt container

## **Service**

If your appliance ever malfunctions, check the notes and advice given in the operating manual.

If this does not fix the problem, our customer service staff are available to assist you.

