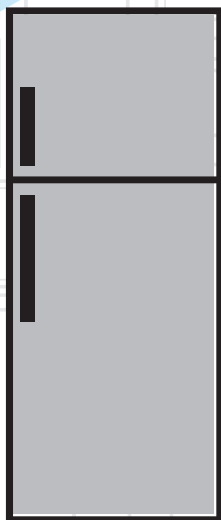


# Refrigerator

User manual



DSE 30080  
DSE 30000  
DSE 30080 M  
DSE 30000 G

DSE 30000 M  
DSE30020

EN | FR | EL | AR

**beko**

## **Please read this manual first!**

Dear Customer,

We hope that your product, which has been produced in modern plants and checked under the most meticulous quality control procedures, will provide you an effective service.

For this, we recommend you to carefully read the entire manual of your product before using it and keep it at hand for future references.




### **This manual**

- Will help you use your appliance in a fast and safe way.
- Read the manual before installing and operating your product.
- Follow the instructions, especially those for safety.
- Keep the manual in an easily accessible place as you may need it later.
- Besides, read also the other documents provided with your product.

Please note that this manual may be valid for other models as well.

### **Symbols and their descriptions**

This instruction manual contains the following symbols:

-  Important information or useful usage tips.
-  Warning against dangerous conditions for life and property.
-  Warning against electric voltage.

## CONTENTS

---

### **1 Your refrigerator 3**

---

### **2 Important Safety Warnings 4**

---

|   |    |
|---|----|
| Intended use .....  | 4  |
| General safety .....  | 5  |
| For products with a .....   | 9  |
| water dispenser; .....  | 9  |
| Child safety.....   | 9  |
| Compliance with WEEE Directive and<br>Disposing of the Waste Product: ..... | 9  |
| Package information.....  | 10 |
| HC warning .....  | 10 |
| Things to be done for energy saving   | 10 |

### **3 Installation 11**

---

|   |    |
|---|----|
| Points to be paid attention to when the<br>relocation of the refrigerator ..... | 11 |
| Electrical connection.....  | 11 |
| Disposing of the packaging .....  | 12 |
| Disposing of your old refrigerator .....  | 12 |
| Placing and Installation .....  | 12 |
| Adjusting the legs .....  | 13 |
| Changing the illumination lamp .....  | 13 |
| Reversing the doors .....   | 14 |
| Reversing the doors .....   | 15 |

### **4 Preparation 16**

---

---

### **5 Using your refrigerator 17**

---

|                                |    |
|--------------------------------|----|
| Thermostat setting button..... | 17 |
| Defrost .....                  | 17 |
| Making ice.....                | 18 |
| Stopping your product.....     | 18 |

### **6 Maintenance and cleaning 19**

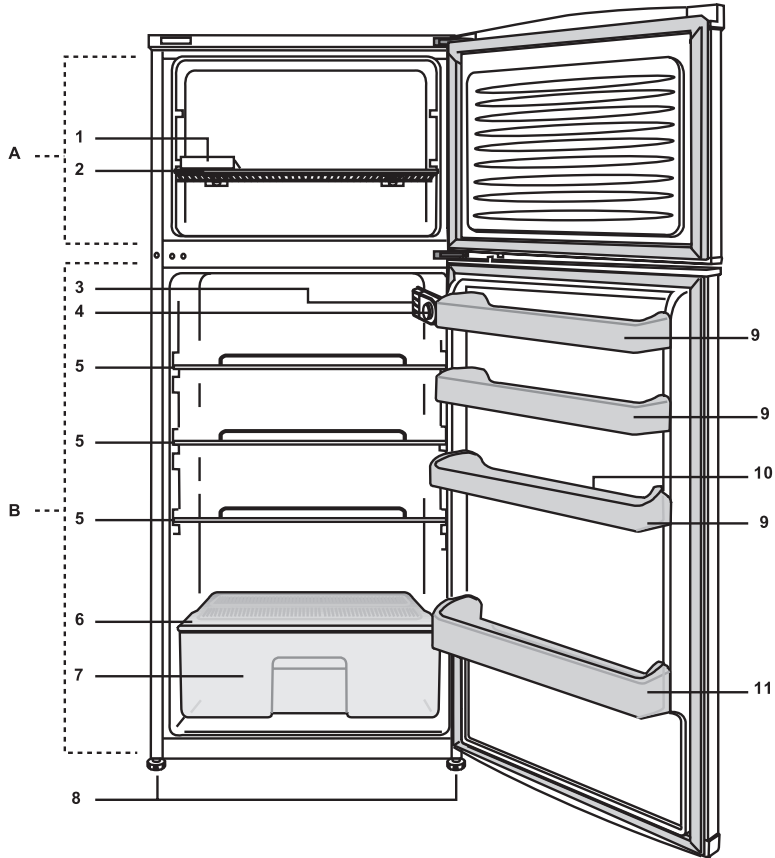
---

|                                      |    |
|--------------------------------------|----|
| Protection of plastic surfaces ..... | 19 |
|--------------------------------------|----|

### **7 Troubleshooting 20**

---

# 1 Your refrigerator



A- Freezer compartment

B- Fridge compartment

1) Ice cube tray

2) Freezer shelf

3) Interior light

4) Thermostat knob

5) Fridge compartment shelves

6) Crisper cover

7) Salad crisper

8) Adjustable front feet

9) Door shelves

10) Egg tray

11) Bottle shelf


Figures that take place in this instruction manual are schematic and may not correspond exactly with your product. If the subject parts are not included in the product you have purchased, then it is valid for other models.

## 2 Important Safety Warnings

Please review the following information. Failure to observe this information may cause injuries or material damage. Otherwise, all warranty and reliability commitments will become invalid.


Original spare parts will be provided for 10 years, following the product purchasing date.

### Intended use

 **WARNING:**  
Keep ventilation openings, in the appliance enclosure or in the built-in structure, clear of obstruction.

 **WARNING:**  
Do not use mechanical devices or other means to accelerate the defrosting process, other than those recommended by the manufacturer.

 **WARNING:**  
Do not damage the refrigerant circuit.

 **WARNING:**  
Do not use electrical appliances inside the food storage compartments of the appliance, unless they are of the type recommended by the manufacturer.

 **WARNING:**  
Do not store explosive substances such as aerosol cans with a flammable propellant in this appliance.

This appliance is intended to be used in household and similar applications such as

- staff kitchen areas in shops, offices and other working environments;
- farm houses and by clients in hotels, motels and other residential type

environments;  
– bed and breakfast type environments;  
– catering and similar non-retail applications.

### **General safety**

- When you want to dispose/scrap the product, we recommend you to consult the authorized service in order to learn the required information and authorized bodies.
- Consult your authorized service for all your questions and problems related to the refrigerator. Do not intervene or let someone intervene to the refrigerator without notifying the authorised services.
- For products with a freezer compartment; Do not eat cone ice cream and ice cubes immediately after you take them out of the freezer compartment! (This may cause frostbite in your mouth.)
- For products with a freezer compartment; Do not put bottled and canned liquid beverages in the freezer compartment. Otherwise, these may burst.
- Do not touch frozen food by hand; they may stick to your hand.
- Unplug your refrigerator before cleaning or defrosting.
- Vapor and vaporized cleaning materials should never be used in cleaning and defrosting processes of your refrigerator. In such cases, the vapor may get in contact with the electrical parts and cause short circuit or electric shock.
- Never use the parts on your refrigerator such as the door as a means of support or step.
- Do not use electrical devices inside the refrigerator.
- Do not damage the parts, where the refrigerant is circulating, with drilling or cutting tools. The refrigerant

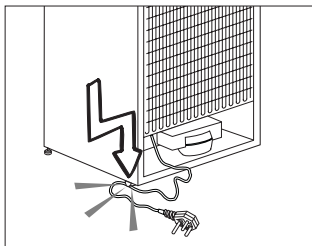
that might blow out when the gas channels of the evaporator, pipe extensions or surface coatings are punctured causes skin irritations and eye injuries.

- Do not cover or block the ventilation holes on your refrigerator with any material.
- Electrical devices must be repaired by only authorised persons. Repairs performed by incompetent persons create a risk for the user.
- In case of any failure or during a maintenance or repair work, disconnect your refrigerator's mains supply by either turning off the relevant fuse or unplugging your appliance.
- Do not pull by the cable when pulling off the plug.
- Ensure highly alcoholic beverages are stored securely with the lid fastened and placed upright.
- Never store spray cans containing flammable and explosive substances in the refrigerator.
- Do not use mechanical devices or other means to accelerate the defrosting process, other than those recommended by the manufacturer.
- This product is not intended to be used by persons with physical, sensory or mental disorders or unlearned or inexperienced people (including children) unless they are attended by a person who will be responsible for their safety or who will instruct them accordingly for use of the product
- Do not operate a damaged refrigerator. Consult with the service agent if you have any concerns.
- Electrical safety of your refrigerator shall be guaranteed only if the earth system in your house complies with standards.
- Exposing the product to rain, snow, sun and

wind is dangerous with respect to electrical safety.

- Contact authorized service when there is a power cable damage to avoid danger.
- Never plug the refrigerator into the wall outlet during installation. Otherwise, risk of death or serious injury may arise.
- This refrigerator is intended for only storing food items. It must not be used for any other purpose.
- Label of technical specifications is located on the left wall inside the refrigerator.
- Never connect your refrigerator to electricity-saving systems; they may damage the refrigerator.
- If there is a blue light on the refrigerator, do not look at the blue light with optical tools.
- For manually controlled refrigerators, wait for at least 5 minutes to start the refrigerator after power failure.

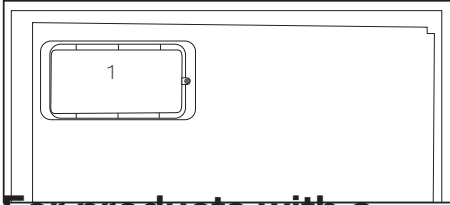
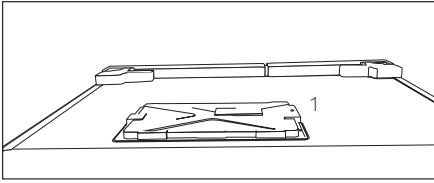
- This operation manual should be handed in to the new owner of the product when it is given to others.
- Avoid causing damage on power cable when transporting the refrigerator. Bending cable may cause fire. Never place heavy objects on power cable. Do not touch the plug with wet hands when plugging the product



- Do not plug the refrigerator if the wall outlet is loose.
- Water should not be sprayed on inner or outer parts of the product for safety purposes.
- Do not spray substances containing inflammable gases such as propane gas near the refrigerator to avoid fire and explosion risk.



- Never place containers filled with water on top of the refrigerator; in the event of spillages, this may cause electric shock or fire.
- Do not overload the refrigerator with food. If overloaded, the food items may fall down and hurt you and damage refrigerator when you open the door.
- Never place objects on top of the refrigerator; otherwise, these objects may fall down when you open or close the refrigerator's door.
- As they require a precise temperature, vaccines, heat-sensitive medicine and scientific materials and etc. should not be kept in the refrigerator.
- If not to be used for a long time, refrigerator should be unplugged. A possible problem in power cable may cause fire.
- Refrigerator may move if adjustable legs are not properly secured on the floor. Properly securing adjustable legs on the floor can prevent the refrigerator to move.
- When carrying the refrigerator, do not hold it from door handle. Otherwise, it may be snapped.
- When you have to place your product next to another refrigerator or freezer, the distance between devices should be at least 8cm. Otherwise, adjacent side walls may be humidified.
- The product shall never be used while the compartment which is located at the top or back of your product and in which electronic boards are available (electronic board box cover) (1) is open.



### For products with a water dispenser;

- Pressure for cold water inlet shall be maximum 90 psi (6.2 bar). If your water pressure exceeds 80 psi (5.5 bar), use a pressure limiting valve in your mains system. If you do not know how to check your water pressure, ask for the help of a professional plumber.
- If there is risk of water hammer effect in your installation, always use a water hammer prevention equipment in your installation. Consult Professional plumbers if you are not sure that there is no

water hammer effect in your installation.

- Do not install on the hot water inlet. Take precautions against the risk of freezing of the hoses. Water temperature operating interval shall be 33°F (0.6°C) minimum and 100°F (38°C) maximum.
- Use only potable water.

### Child safety

- If the door has a lock, the key should be kept away from reach of children.
- Children must be supervised to prevent them from tampering with the product.

### Compliance with WEEE Directive and Disposing of the Waste Product:



  
(WEEE).

This product complies with EU WEEE Directive (2012/19/EU). This product bears a classification symbol for waste electrical and electronic equipment

This product has been manufactured with high quality parts and materials which can be reused and are suitable for recycling. Therefore, do not dispose the product with normal domestic waste at the end of its service life. Take it to a collection point for the recycling of electrical and electronic equipment. Please consult your local authorities to learn the nearest collection point. Help protect the environment and natural resources by recycling used products. For children's safety, cut the power cable and break the locking mechanism of the door, if any, so that it will be non-functional before disposing of the product.

### **Package information**

Packaging materials of the product are manufactured from recyclable materials in accordance with our National Environment Regulations. Do not dispose of the packaging materials together with the domestic or other wastes. Take them to the packaging material collection points designated by the local authorities.

### **Do not forget...**

Any recycled substance is an indispensable matter for nature and our national asset wealth.

If you want to contribute to the re-evaluation of the packaging materials, you can consult to your environmentalist organizations or the municipalities where you are located.

### **HC warning**

#### **If your product's cooling system contains R600a:**

This gas is flammable. Therefore, pay attention to not damaging the cooling system and piping during usage and transportation. In the event of damage,

keep your product away from potential fire sources that can cause the product catch a fire and ventilate the room in which the unit is placed.

#### **Ignore this warning if your product's cooling system contains R134a.**

Type of gas used in the product is stated in the type label which is on the left wall inside the refrigerator.

Never throw the product in fire for disposal.

#### **Things to be done for energy saving**

- Do not leave the doors of your refrigerator open for a long time.
- Do not put hot food or drinks in your refrigerator.
- Do not overload your refrigerator so that the air circulation inside of it is not prevented.
- Do not install your refrigerator under direct sunlight or near heat emitting appliances such as ovens, dishwashers or radiators. Keep your refrigerator at least 30cm away from heat emitting sources and at least 5cm from electrical ovens.
- Pay attention to keep your food in closed containers.
- For products with a freezer compartment; You can store maximum amount of food items in the freezer when you remove the shelf or drawer of the freezer. Energy consumption value stated for your refrigerator has been determined by removing freezer shelf or drawer and under maximum load. There is no harm to use a shelf or drawer according to the shapes and size of food to be frozen.
- Thawing frozen food in fridge compartment will both provide energy saving and preserve the food quality.

## 3 Installation

⚠ In case the information which are given in the user manual are not taken into account, manufacturer will not assume any liability for this.

### Points to be paid attention to when the relocation of the refrigerator

1. Your refrigerator should be unplugged. Before transportation of your refrigerator, it should be emptied and cleaned.

2. Before it is re-packaged, shelves, accessories, crisper, etc. inside your refrigerator should be fixed with adhesive tape and secured against impacts. Package should be bound with a thick tape or sound ropes and the transportation rules on the package should be strictly observed.

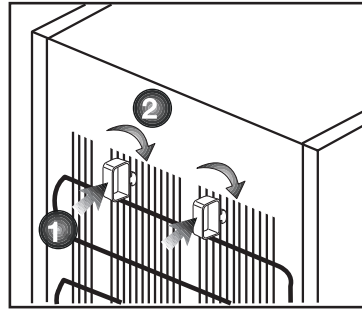
3. Original packaging and foam materials should be kept for future transportations or moving.

Before you start the refrigerator,

### Check the following before you start to use your refrigerator:

1. Attach 2 plastic wedges as illustrated below. Plastic wedges are intended to keep the distance which will ensure the air circulation between your refrigerator and the wall. (The picture is drawn up as a representation and it is not identical with your product.)

2. Clean the interior of the refrigerator as recommended in the "Maintenance and cleaning" section.



3. Connect the plug of the refrigerator to the wall socket. When the fridge door is opened, fridge internal lamp will turn on.

4. When the compressor starts to operate, a sound will be heard. The liquid and gases sealed within the refrigeration system may also give rise to noise, even if the compressor is not running and this is quite normal.

5. Front edges of the refrigerator may feel warm. This is normal. These areas are designed to be warm to avoid condensation.

### Electrical connection

Connect your product to a grounded socket which is being protected by a fuse with the appropriate capacity.

#### Important:

The connection must be in compliance with national regulations.

- The power plug must be easily accessible after installation.
- Electrical safety of your refrigerator shall be guaranteed only if the earth system in your house complies with standards.

- The voltage stated on the label located at left inner side of your product should be equal to your network voltage.
- Extension cables and multi plugs must not be used for connection.

⚠ A damaged power cable must be replaced by a qualified electrician.

⚠ Product must not be operated before it is repaired! There is the risk of electric shock!

### **Disposing of the packaging**

The packing materials may be dangerous for children. Keep the packing materials out of the reach of children or dispose of them by classifying them in accordance with the waste instructions stated by your local authorities. Do not throw away with regular house waste, throw away on packaging pick up spots designated by the local authorities.

The packing of your refrigerator is produced from recyclable materials.

### **Disposing of your old refrigerator**

Dispose of your old refrigerator without giving any harm to the environment.

- You may consult your authorized dealer or waste collection center of your municipality about the disposal of your refrigerator.

Before disposing of your refrigerator, cut out the electric plug and, if there are any locks on the door, make them inoperable in order to protect children against any danger.

## **Placing and Installation**

⚠ If the entrance door of the room where the refrigerator will be installed is not wide enough for the refrigerator to pass through, then call the authorized service to have them remove the doors of your refrigerator and pass it sideways through the door.

**1.** Install your refrigerator to a place that allows ease of use.

**2.** Keep your refrigerator away from heat sources, humid places and direct sunlight.

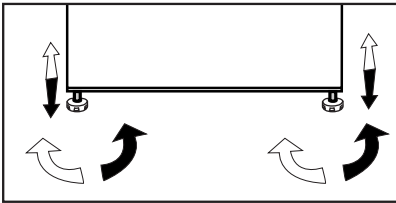
**3.** There must be appropriate air ventilation around your refrigerator in order to achieve an efficient operation. If the refrigerator is to be placed in a recess in the wall, there must be at least 5 cm distance with the ceiling and at least 5 cm with the wall. Do not place your product on the materials such as rug or carpet.

**4.** Place your refrigerator on an even floor surface to prevent jolts.

## Adjusting the legs

If your refrigerator is unbalanced;

You can balance your refrigerator by turning the front legs of it as illustrated in the figure. The corner where the leg exists is lowered when you turn in the direction of black arrow and raised when you turn in the opposite direction. Taking help from someone to slightly lift the refrigerator will facilitate this process.



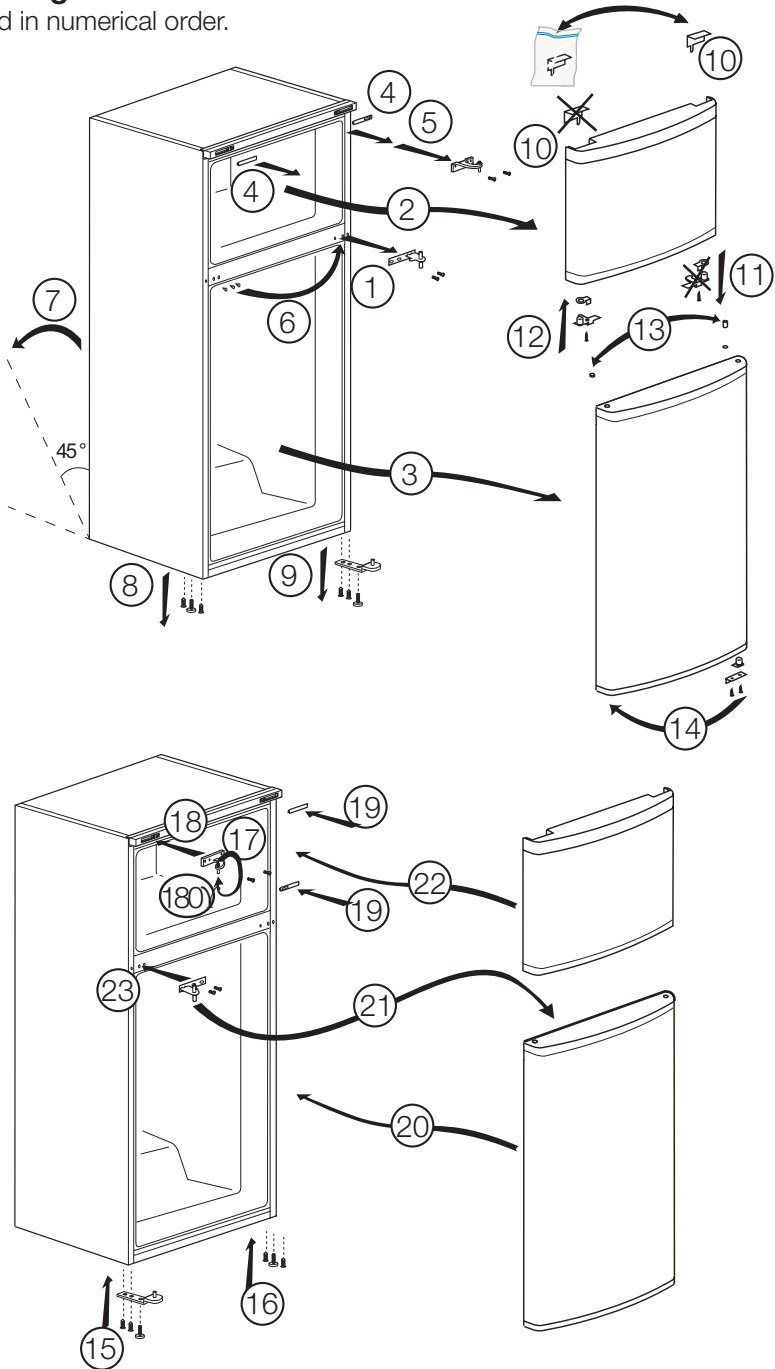
## Changing the illumination lamp

To change the Bulb/LED used for illumination of your refrigerator, call your AuthorisedService.

The lamp(s) used in this appliance is not suitable for household room illumination. The intended purpose of this lamp is to assist the user to place foodstuffs in the refrigerator/freezer in a safe and comfortable way. The lamps used in this appliance have to withstand extreme physical conditions such as temperatures below  $-20\text{ }^{\circ}\text{C}$ . (only chest and upright freezer)

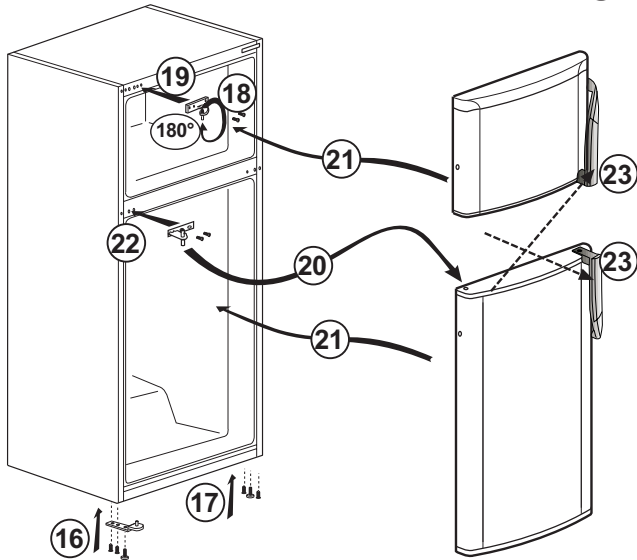
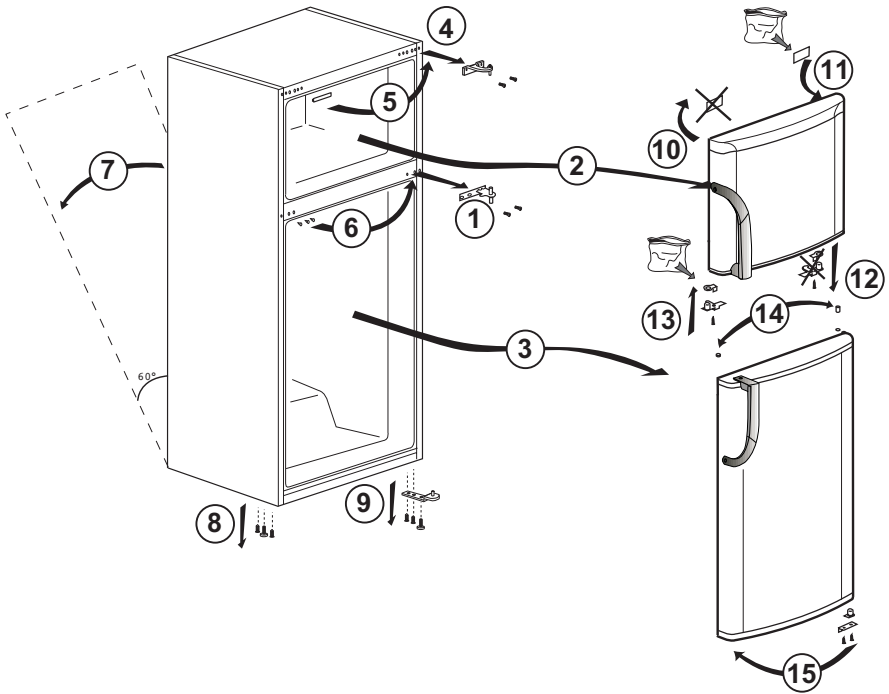
# Reversing the doors

Proceed in numerical order.



# Reversing the doors

Proceed in numerical order.



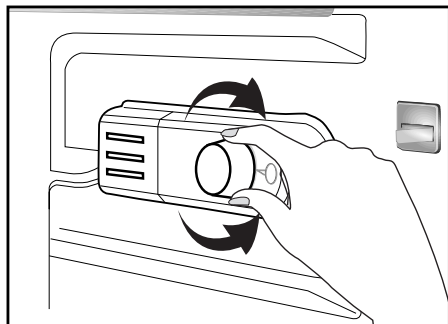


## 4 Preparation

---

- Your refrigerator should be installed at least 30 cm away from heat sources such as hobs, ovens, central heater and stoves and at least 5 cm away from electrical ovens and should not be located under direct sunlight.
- The ambient temperature of the room where you install your refrigerator should at least be 10°C. Operating your refrigerator under cooler conditions is not recommended with regard to its efficiency.
- Please make sure that the interior of your refrigerator is cleaned thoroughly.
- If two refrigerators are to be installed side by side, there should be at least 2 cm distance between them.
- When you operate your refrigerator for the first time, please observe the following instructions during the initial six hours.
- The door should not be opened frequently.
- It must be operated empty without any food in it.
- Do not unplug your refrigerator. If a power failure occurs out of your control, please see the warnings in the “Recommended solutions for the problems” section.
- Original packaging and foam materials should be kept for future transportations or moving.
- The baskets/drawers that are provided with the chill compartment must always be in use for low energy consumption and for better storage conditions.
- Food contact with the temperature sensor in the freezer compartment may increase energy consumption of the appliance. Thus any contact with the sensor(s) must be avoided.
- In some models, the instrument panel automatically turns off 5 minutes after the door has closed. It will be reactivated when the door has opened or pressed on any key.
- Due to temperature change as a result of opening/closing the product door during operation, condensation on the door/body shelves and the glass containers is normal

## 5 Using your refrigerator



### Thermostat setting button

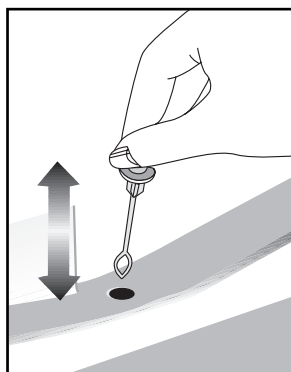
The interior temperature of your refrigerator changes for the following reasons;

- Seasonal temperatures,
- Frequent opening of the door and leaving the door open for long periods,
- Food put into the refrigerator without cooling down to the room temperature,
- The location of the refrigerator in the room (e.g. exposing to sunlight).
- You may adjust the varying interior temperature due to such reasons by using the thermostat. Numbers around the thermostat button indicates the cooling degrees.
- If the ambient temperature is higher than 32°C, turn the thermostat button to maximum position.
- If the ambient temperature is lower than 25°C, turn the thermostat button to minimum position.

### Defrost

Fridge compartment performs full-automatic defrosting. Water resulting from the defrosting passes from the water collection groove and flows into the evaporator through the drain pipe and evaporates here by itself.

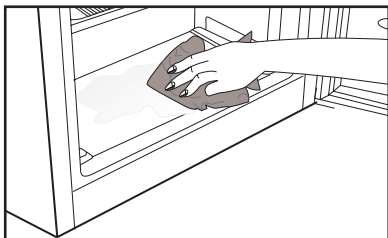
- Deep freezer compartment does not perform automatic defrosting in order to prevent decaying of the frozen food.
- Check regularly to see if the drain pipe is clogged or not and clear it with the stick in the hole when necessary.



- Frost formation in the freezer compartment must be defrosted every 6 months. It is recommended to defrost the ice when the deep freezer compartment is not filled too much or is empty.
- To do this, wrap the frozen food by paper and keep them in the coolest place possible or in another refrigerator if available.
- Stop your refrigerator by means of the temperature setting button or unplug the power cord from the outlet. You can place a container filled with hot water into the freezer compartment

or leave the door of the freezer compartment open in order to hasten the defrosting.

- Remove the water that accumulates in the lower container of the freezer compartment with an absorbent cloth or sponge.
- Dry the freezer compartment completely and return the temperature setting button to its previous position.



- Operate your refrigerator for 2 hours while it is empty and its doors are closed before replacing your food into the deep freezer.

## Stopping your product

If your thermostat is equipped with “0” position:

- Your product will stop operating when you turn the thermostat button to “0” (zero) position. Your product will not start unless to you turn the thermostat button to position “1” or one of the other positions again.

If your thermostat is equipped with “min” position:

- Unplug your product to stop it.

## Making ice

### \*optional

Fill the ice container with water and place it into the freezer compartment. Your ice will be ready approximately in two hours.

You can remove the ice in the ice container by removing it from the freezer and twisting it.

## 6 Maintenance and cleaning

---

- ⚠ Never use gasoline, benzene or similar substances for cleaning purposes.
- ⚠ We recommend that you unplug the appliance before cleaning.
- ⚠ Never use any sharp abrasive instrument, soap, household cleaner, detergent and wax polish for cleaning.
- ⚠ In producten die geen No Frost hebben ontstaan er op de achterwand van het koelvak waterdruppels en een vingerdikke ijslaag. Maak het niet schoon; doe er nooit olie op soortgelijke middelen op.
- ⚠ Gebruik uitsluitend licht vochtige microvezeldoeken om de buitenkant van het product schoon te maken. Sponzen en andere soorten schoonmaakdoeken kunnen het oppervlak krassen.
- ⚠ For non-No Frost products, water drops and frosting up to a fingerbreadth occur on the rear wall of the Fridge compartment. Do not clean it; never apply oil or similar agents on it.
- ⚠ Only use slightly damp microfiber cloths to clean the outer surface of the product. Sponges and other types of cleaning cloths may scratch the surface.
- ℹ Use lukewarm water to clean the cabinet of your refrigerator and wipe it dry.
- ℹ Use a damp cloth wrung out in a solution of one teaspoon of bicarbonate of soda to one pint of water to clean the interior and wipe it dry.
- ⚠ Make sure that no water enters the lamp housing and other electrical items.
- ⚠ If your refrigerator is not going to be used for a long period of time, unplug the power cable, remove all food, clean it and leave the door ajar.
- ℹ Check door seals regularly to ensure they are clean and free from food particles.
- ⚠ To remove door racks, remove all the contents and then simply push the door rack upwards from the base.
- ⚠ Never use cleaning agents or water that contain chlorine to clean the outer surfaces and chromium coated parts of the product. Chlorine causes corrosion on such metal surfaces.
- ⚠ Do not use sharp, abrasive tools, soap, household cleaning agents, detergents, kerosene, fuel oil, varnish etc. to prevent removal and deformation of the prints on the plastic part. Use lukewarm water and a soft cloth for cleaning and then wipe it dry.

### Protection of plastic surfaces

- ℹ Do not put the liquid oils or oil-cooked meals in your refrigerator in unsealed containers as they damage the plastic surfaces of your refrigerator. In case of spilling or smearing oil on the plastic surfaces, clean and rinse the relevant part of the surface at once with warm water.

## 7 Troubleshooting

Please review this list before calling the service. It will save your time and money. This list includes frequent complaints that are not arising from defective workmanship or material usage. Some of the features described here may not exist in your product.

The refrigerator does not operate.

- The plug is not inserted into the socket correctly. >>>Insert the plug into the socket securely.
- The fuse of the socket which your refrigerator is connected to or the main fuse have blown out. >>>Check the fuse.

Condensation on the side wall of the fridge compartment (MULTIZONE, COOL CONTROL and FLEXI ZONE).

- Door has been opened frequently. >>>Do not open and close the door of refrigerator frequently.
- Ambient is very humid. >>>Do not install your refrigerator into highly humid places.
- Food containing liquid is stored in open containers. >>>Do not store food with liquid content in open containers.
- Door of the refrigerator is left ajar. >>>Close the door of the refrigerator.
- Thermostat is set to a very cold level. >>>Set the thermostat to a suitable level.

Compressor is not running

- Protective thermic of the compressor will blow out during sudden power failures or plug-out plug-ins as the refrigerant pressure in the cooling system of the refrigerator has not been balanced yet. The refrigerator will start running approximately after 6 minutes. Please call the service if the refrigerator does not startup at the end of this period.
- The fridge is in defrost cycle. >>>This is normal for a full-automatically defrosting refrigerator. Defrosting cycle occurs periodically.
- The refrigerator is not plugged into the socket. >>>Make sure that the plug is fit into the socket.
- Temperature settings are not made correctly. >>>Select the suitable temperature value.
- There is a power outage. >>>Refrigerator returns to normal operation when the power restores.

The operation noise increases when the refrigerator is running.

- The operating performance of the refrigerator may change due to the changes in the ambient temperature. It is normal and not a fault.

The refrigerator is running frequently or for a long time.

- New product may be wider than the previous one. Larger refrigerators operate for a longer period of time.
- The room temperature may be high. >>>It is normal that the product operates for longer periods in hot ambient.
- The refrigerator might be plugged in recently or might be loaded with food. >>>When the refrigerator is plugged in or loaded with food recently, it will take longer for it to attain the set temperature. This is normal.
- Large amounts of hot food might be put in the refrigerator recently. >>>Do not put hot food into the refrigerator.
- Doors might be opened frequently or left ajar for a long time. >>>The warm air that has entered into the refrigerator causes the refrigerator to run for longer periods. Do not open the doors frequently.
- Freezer or fridge compartment door might be left ajar. >>>Check if the doors are closed completely.
- The refrigerator is adjusted to a very low temperature. >>>Adjust the refrigerator temperature to a warmer degree and wait until the temperature is achieved.
- Door seal of the fridge or freezer may be soiled, worn out, broken or not properly seated. >>>Clean or replace the seal. Damaged/broken seal causes the refrigerator to run for a longer period of time in order to maintain the current temperature.

Freezer temperature is very low while the fridge temperature is sufficient.

- The freezer temperature is adjusted to a very low value. >>>Adjust the freezer temperature to a warmer degree and check.

Fridge temperature is very low while the freezer temperature is sufficient.

- The fridge temperature is adjusted to a very low value. >>>Adjust the fridge temperature to a warmer degree and check.

Food kept in the fridge compartment drawers is frozen.

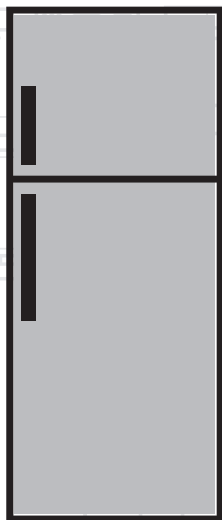
- The fridge temperature is adjusted to a very high value. >>>Adjust the fridge temperature to a lower value and check.

Temperature in the fridge or freezer is very high.

- The fridge temperature is adjusted to a very high value. >>>Fridge compartment temperature setting has an effect on the temperature of the freezer. Change the temperatures of the fridge or freezer and wait until the relevant compartments attain a sufficient temperature.
- Doors are opened frequently or left ajar for a long time. >>>Do not open the doors frequently.
- Door is ajar. >>>Close the door completely.
- The refrigerator is plugged in or loaded with food recently. >>>This is normal. When the refrigerator is plugged in or loaded with food recently, it will take longer for it to attain the set temperature.
- Large amounts of hot food might be put in the refrigerator recently. >>>Do not put hot food into the refrigerator.

|  |
|--|
| <ul style="list-style-type: none"> <li>• Vibrations or noise.</li> </ul>   |
| <ul style="list-style-type: none"> <li>• The floor is not level or stable. &gt;&gt;&gt; If the refrigerator rocks when moved slowly, balance it by adjusting its feet. Also make sure that the floor is strong enough to carry the refrigerator, and level.</li> <li>• The items put onto the refrigerator may cause noise. &gt;&gt;&gt;Remove the items on top of the refrigerator.</li> </ul>  |
| There are noises coming from the refrigerator like liquid flowing, spraying, etc.  |
| <ul style="list-style-type: none"> <li>• Liquid and gas flows occur in accordance with the operating principles of your refrigerator. It is normal and not a fault.</li> </ul>   |
| Whistle comes from the refrigerator.   |
| <ul style="list-style-type: none"> <li>• Fans are used in order to cool the refrigerator. It is normal and not a fault.</li> </ul>   |
| Condensation on the inner walls of refrigerator.   |
| <ul style="list-style-type: none"> <li>• Hot and humid weather increases icing and condensation. It is normal and not a fault.</li> <li>• Doors are opened frequently or left ajar for a long time. &gt;&gt;&gt;Do not open the doors frequently. Close them if they are open.</li> <li>• Door is ajar. &gt;&gt;&gt;Close the door completely.</li> </ul>  |
| Humidity occurs on the outside of the refrigerator or between the doors.   |
| <ul style="list-style-type: none"> <li>• There might be humidity in the air; this is quite normal in humid weather. When the humidity is less, condensation will disappear.</li> </ul>   |
| Bad odour inside the refrigerator.   |
| <ul style="list-style-type: none"> <li>• No regular cleaning is performed. &gt;&gt;&gt;Clean the inside of the refrigerator regularly with a sponge, lukewarm water or carbonate dissolved in water.</li> <li>• Some containers or package materials may cause the smell. &gt;&gt;&gt;Use a different container or different brand packaging material.</li> <li>• Food is put into the refrigerator in uncovered containers. &gt;&gt;&gt;Keep the food in closed containers. Microorganisms spreading out from uncovered containers can cause unpleasant odours.</li> <li>• Remove the foods that have expired best before dates and spoiled from the refrigerator.</li> </ul> |
| The door is not closing.   |
| <ul style="list-style-type: none"> <li>• Food packages are preventing the door from closing. &gt;&gt;&gt;Replace the packages that are obstructing the door.</li> <li>• The refrigerator is not completely even on the floor. &gt;&gt;&gt;Adjust the feet to balance the refrigerator.</li> <li>• The floor is not level or strong. &gt;&gt;&gt;Make sure that the floor is level and capable to carry the refrigerator.</li> </ul>  |
| Crispers are stuck.  |
| <ul style="list-style-type: none"> <li>• The food is touching the ceiling of the drawer. &gt;&gt;&gt;Rearrange food in the drawer.</li> </ul>  |
| If The Surface Of The Product Is Hot.  |
| <ul style="list-style-type: none"> <li>• High temperatures may be observed between the two doors, on the side panels and at the rear grill while the product is operating. This is normal and does not require service maintenance!</li> </ul>   |

# Réfrigérateur Manuel d'utilisation



FR |

**beko**



## **Veillez d'abord lire la notice d'utilisation !**

Chère cliente, cher client,

Nous espérons que votre produit, qui a été fabriqué dans des usines modernes et vérifié au terme des procédures de contrôle de qualité les plus méticuleuses, vous aidera efficacement.

Pour cette raison, nous vous conseillons de lire attentivement tout le manuel d'utilisation de votre produit avant de vous en servir, et de le conserver ensuite pour une utilisation ultérieure.

### **Le présent manuel**

- vous aidera à utiliser votre produit avec rapidité et sécurité.
  - Lisez le manuel avant d'installer et de faire fonctionner votre produit.
  - Respectez les instructions, notamment celles relatives à la sécurité.
  - Conservez ce manuel dans un endroit facilement accessible car vous pouvez en avoir besoin ultérieurement.
  - En plus, lisez également les autres documents fournis avec votre produit.
- Veillez noter que ce manuel peut également être valide pour d'autres modèles.

### **Symboles et descriptions**

Vous retrouverez les symboles suivants dans le présent manuel :

 Informations importantes ou astuces.

 Avertissement relatif aux conditions dangereuses pour la vie et la propriété.

 Avertissement relatif à la tension électrique.

## Table des matières

---

### **1 Votre réfrigérateur** **3**

#### **2 Précautions de sécurité importantes** **4**

|  |    |
|--|----|
| Sécurité générale.....   | 5  |
| Pour les appareils dotés d'une fontaine à eau .....                  | 10 |
| Sécurité enfants.....  | 10 |
| Conformité avec la réglementation DEEE et mise au rebut des déchets. | 11 |
| Informations relatives à l'emballage..                               | 11 |
| Avertissement HC.....  | 11 |
| Mesures d'économie d'énergie.....                                    | 12 |

#### **3 Installation** **13**

|  |    |
|--|----|
| Éléments à prendre en considération lors du déplacement de votre réfrigérateur ..... | 13 |
| Avant de mettre votre réfrigérateur en marche.....                                   | 13 |
| Branchement électrique.....  | 14 |
| Mise au rebut de l'emballage .....   | 14 |
| Mise au rebut de votre ancien réfrigérateur .....                                    | 14 |
| Disposition et Installation .....  | 14 |
| Réglage des pieds.....   | 15 |
| Remplacement de l'ampoule .....  | 15 |
| Réversibilité des portes.....  | 16 |
| Réversibilité des portes.....  | 17 |

#### **4 Préparation** **18**

### **5 Utilisation de votre réfrigérateur** **19**

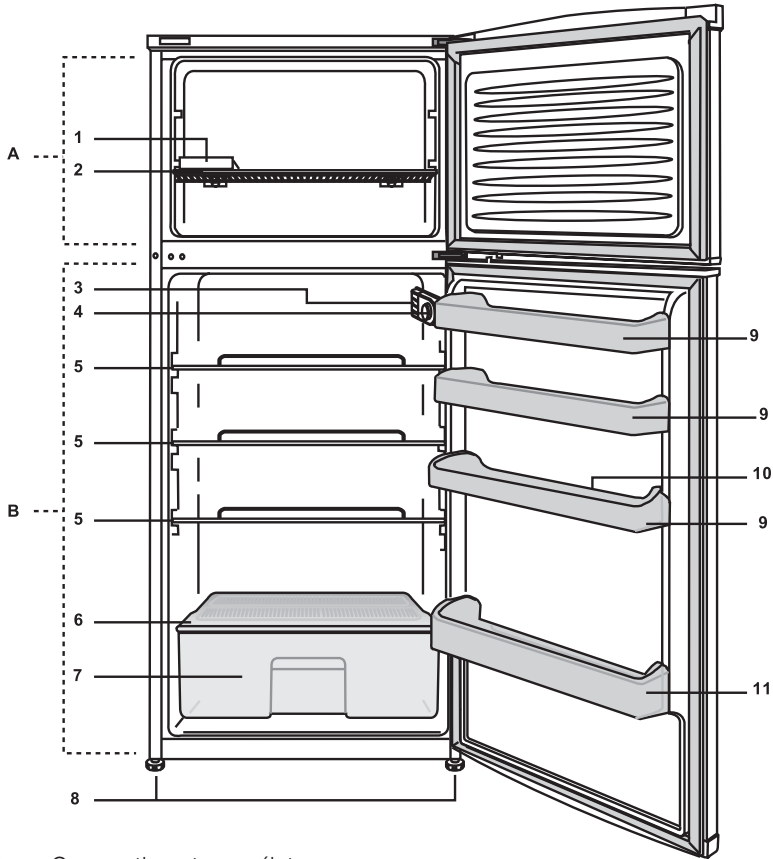
|                                      |    |
|--------------------------------------|----|
| Bouton de réglage du thermostat .... | 19 |
| Décongélation .....                  | 19 |
| Interruption du produit .....        | 20 |
| Fabrication de glaçons .....         | 20 |

#### **6 Entretien et nettoyage** **21**

|  |    |
|--|----|
| Protection des surfaces en plastique. .... | 21 |
|--|----|

#### **7 Solutions recommandées aux problèmes** **22**

# 1 Votre réfrigérateur



A- Compartiment congélateur

B- Compartiment réfrigérateur

1- Bac à glaçons

2 - Clayette du congélateur

3- Éclairage intérieur

4- Commande du thermostat

5- Clayettes du compartiment de réfrigération

6- Couvercle du bac à légumes

7- Bac à légumes

8 - Pieds avant réglables

9 - Balconnets de porte

10- Casier à œufs

11 - Clayette range-bouteilles

**i** Les illustrations présentées dans cette notice d'utilisation sont schématiques et peuvent ne pas correspondre exactement à votre produit. Si des pièces présentées ne sont pas comprises dans le produit que vous avez acheté, elles sont valables pour d'autres modèles.

## 2 Précautions de sécurité importantes

Veillez examiner les informations suivantes : Cet appareil peut être utilisé par des enfants âgés d'au moins 8 ans et par des personnes ayant des capacités physiques, sensorielles ou mentales réduites ou dénuées d'expérience ou de connaissance, s'ils (si elles) sont correctement surveillé(e)s ou si des instructions relatives à l'utilisation de l'appareil en toute sécurité leur ont été données et si les risques encourus ont été appréhendés. Les enfants ne doivent pas jouer avec l'appareil. Le nettoyage et l'entretien par l'utilisateur ne doivent pas être effectués par des enfants sans surveillance. Le non respect de ces consignes peut entraîner des blessures ou dommages matériels. Sinon, tout engagement lié à la garantie et à la fiabilité du produit devient invalide. Les pièces détachées

d'origine sont disponibles pendant 10 ans, à compter de la date d'achat du produit.



### **REMARQUE :**

Assurez-vous que les trous d'aération ne sont pas fermés quand le dispositif est dans son boîtier ou est installé à sa place.



### **REMARQUE:**

Ne pas utiliser tout dispositif mécanique ou un autre dispositif hors des recommandations du fabricant pour accélérer le processus de décongeler.



### **REMARQUE:**

Ne pas endommager le circuit de fluide du réfrigérateur.

|   |  |
|---|--|
| ⚠ | <p><b>REMARQUE:</b><br/>Ne pas utiliser des appareils électriques non prévus par le fabricant dans les compartiments de conservation des aliments.</p> |
| ⚠ | <p><b>AVERTISSEMENT:</b><br/>Ne conservez pas de substances explosives comme des aérosols avec un liquide inflammable dans cet appareil.</p>           |

Ce dispositif est conçu pour l'usage domestique ou les applications similaires suivantes :

- Pour être utilisé dans la cuisine de personnel dans les magasins, bureaux et autres environnements de travail ;
- Pour être utilisé par les clients dans les maisons de campagne et hôtels et les autres environnements d'hébergement ;
- Dans des environnements de type

de pension de famille

- Dans des applications similaires n'ayant pas de service alimentaire et non détaillants

### **Sécurité générale**

- Si le cordon d'alimentation est endommagé, celui-ci doit être remplacé par le fabricant, ses agents agréés ou tout autre agent qualifié afin d'être à l'abri de tout danger.
- Avant de vous débarrasser de votre appareil, veuillez consulter les autorités locales ou votre revendeur pour connaître le mode opératoire et les organismes de collecte agréés.
- Consultez le service après-vente agréé concernant toutes questions ou problèmes relatifs au réfrigérateur. N'intervenez pas ou ne laissez personne intervenir sur le réfrigérateur sans le communiquer au service après-vente agréé.

- Pour les produits équipés d'un compartiment congélateur : ne mangez pas de cônes de crème glacée ou des glaçons immédiatement après les avoir sortis du compartiment de congélation ! (Cela pourrait provoquer des engelures).
- Pour les produits équipés d'un compartiment congélateur : ne placez pas de boissons en bouteille ou en cannette dans le compartiment de congélation. Cela peut entraîner leur éclatement.
- Ne touchez pas des produits congelés avec les mains, ils pourraient se coller à celles-ci.
- Débranchez votre réfrigérateur avant de le nettoyer ou de le dégivrer.
- La vapeur et des matériaux de nettoyage pulvérisés ne doivent jamais être utilisés pour les processus de nettoyage ou de dégivrage de votre réfrigérateur. La vapeur pourrait pénétrer dans les pièces électriques et provoquer des courts-circuits ou des électrocutions.
- Ne jamais utiliser les pièces de votre réfrigérateur telles que la porte, comme un support ou une marche.
- N'utilisez pas d'appareils électriques à l'intérieur du réfrigérateur.
- N'endommagez pas les pièces où circule le liquide réfrigérant avec des outils de forage ou coupants. Le liquide réfrigérant qui pourrait s'échapper si les canalisations de gaz de l'évaporateur, les rallonges de tuyau ou les revêtements de surface étaient percés, cela pourrait irriter la peau et provoquer des blessures aux yeux.
- Ne pas couvrir ou obstruer les orifices de ventilation du réfrigérateur.
- Les appareils électriques

peuvent être réparés seulement par des personnes autorisées. Les réparations réalisées par des personnes ne présentant pas les compétences requises peuvent présenter un risque pour l'utilisateur.

- En cas de dysfonctionnement ou lors d'opérations d'entretien ou de réparation, débranchez l'alimentation électrique du réfrigérateur soit en désactivant le fusible correspondant, soit en débranchant l'appareil.
- Assurez-vous que les boissons comportant un taux d'alcool très élevé sont conservées en sécurité avec leur couvercle fixé et placées en position verticale.
- Placez les boissons alcoolisées verticalement, dans des récipients convenablement fermés.
- Ne conservez jamais des aérosols contenant des substances inflammables et

explosives dans le réfrigérateur.

- N'utilisez pas d'outils mécaniques ou autres dispositifs pour accélérer le processus de décongélation autres que ceux qui sont recommandés par le fabricant.
- Ce produit n'est pas conçu pour être utilisé par des personnes (enfants compris) souffrant de déficience physique, sensorielle, mentale, ou inexpérimentées, à moins d'avoir obtenu une autorisation auprès des personnes responsables de leur sécurité.
- Ne faites pas fonctionner un réfrigérateur endommagé. Consultez le service agréé en cas de problème.
- La sécurité électrique du réfrigérateur n'est assurée que si le système de mise à la terre de votre domicile est conforme aux normes en vigueur.

- L'exposition du produit à la pluie, la neige, au soleil ou au vent présente des risques concernant la sécurité électrique.
- Contactez le service agréé quand un câble d'alimentation est endommagé pour éviter tout danger.
- Ne branchez jamais le réfrigérateur à la prise murale au cours de l'installation. Vous vous exposeriez à un risque de mort ou à de blessures graves.
- Ce réfrigérateur est conçu seulement pour conserver des aliments. Par conséquent, il ne doit pas être utilisé à d'autres fins.
- L'étiquette avec les caractéristiques techniques est située sur la paroi gauche à l'intérieur du réfrigérateur.
- Ne branchez jamais votre réfrigérateur à des systèmes d'économie d'énergie, cela peut l'endommager.
- S'il y a une lumière bleue sur le réfrigérateur, ne le regardez ni avec vos yeux nus, ni avec des outils optiques pendant longtemps.
- Pour les réfrigérateurs contrôlés manuellement, attendez au moins 5 minutes pour allumer le réfrigérateur après une coupure de courant.
- Si cet appareil venait à changer de propriétaire, n'oubliez pas de remettre la présente notice d'utilisation au nouveau bénéficiaire.
- Évitez d'endommager le câble d'alimentation quand vous transportez le réfrigérateur. Tordre le câble peut entraîner un incendie. Ne placez jamais d'objets lourds sur le câble d'alimentation.
- Évitez de toucher à la prise avec des mains mouillées au moment de brancher l'appareil.
- Évitez de brancher le réfrigérateur lorsque la prise de courant électrique a lâché.
- Pour des raisons de sécurité, évitez de pulvériser directement



de l'eau sur les parties externes et internes du réfrigérateur.

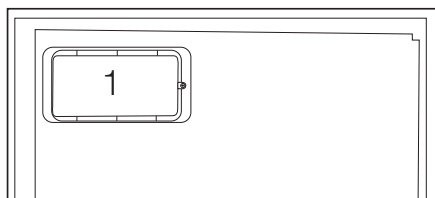
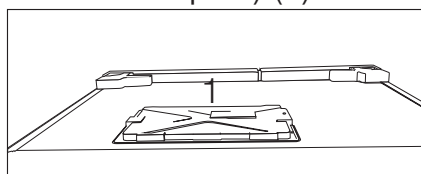
- Ne pulvérisez pas de substances contenant des gaz inflammables comme du propane près du réfrigérateur pour éviter tout risque d'incendie et d'explosion.
- Ne placez jamais de récipients contenant de l'eau sur votre réfrigérateur, ils pourraient causer des chocs électriques ou un incendie.
- Évitez de surcharger le réfrigérateur avec une quantité excessive d'aliments. S'il est surchargé, les aliments peuvent tomber, vous blesser et endommager le réfrigérateur quand vous ouvrez la porte.
- Ne placez jamais d'objets au-dessus du réfrigérateur, ils pourraient tomber quand vous ouvrez ou fermez la porte du réfrigérateur.
- Les produits qui nécessitent un contrôle

de température précis (vaccin, médicament sensible à la chaleur, matériels scientifiques, etc.) ne doivent pas être conservés dans le réfrigérateur.

- Si le réfrigérateur n'est pas utilisé pendant longtemps, il doit être débranché. Un problème avec le câble d'alimentation pourrait causer un incendie.
- Le réfrigérateur peut bouger si ses pieds réglables ne sont pas bien fixés sur le sol. Bien fixer les pieds réglables sur le sol peut empêcher le réfrigérateur de bouger.
- Quand vous transportez le réfrigérateur, ne le tenez pas par la poignée de la porte. Cela peut le casser.
- Quand vous devez placer votre produit près d'un autre réfrigérateur ou congélateur, la distance entre les appareils doit être d'au moins 8 cm. Sinon, les murs adjacents peuvent

être humidifiés.

- Ne jamais utiliser le produit si la section située dans sa partie supérieure ou inférieure avec cartes de circuits imprimés électroniques à l'intérieur est ouverte (couvercle de cartes de circuits imprimés électroniques) (1).



## Pour les appareils dotés d'une fontaine à eau

- La pression de l'eau froide à l'entrée ne doit pas excéder 90 psi (6.2 bar). Si votre pression d'eau dépasse 80 psi (5,5 bar), utilisez une soupape de limitation de pression sur votre réseau de conduite. Si vous ne savez pas comment vérifiez la pression

de l'eau, demandez l'assistance d'un plombier professionnel.

- S'il existe un risque d'effet coup de bélier sur votre installation, utilisez systématiquement un équipement de protection contre l'effet coup de bélier sur celle-ci. Consultez des plombiers professionnels si vous n'êtes pas sûr de la présence de cet effet sur votre installation.
- Ne l'installez pas sur l'entrée d'eau chaude. Prenez des précautions contre le risque de congélation des tuyaux. L'intervalle de fonctionnement de la température des eaux doit être de 33 F (0,6°C) au moins et de 100 F (38 C) au plus.
- Utilisez uniquement de l'eau potable.

## Sécurité enfants

- Si la porte a un verrouillage, la clé doit rester hors de portée des enfants.
- Les enfants doivent être surveillés et empêchés

de s'amuser avec le produit.

## **Conformité avec la réglementation DEEE et mise au rebut des déchets**

Ce produit ne contient pas de matériaux dangereux et interdits décrits dans la « Réglementation sur le contrôle des déchets d'équipements électriques et électroniques » publié par le Ministère de l'Environnement et de l'Urbanisme. Conforme avec la réglementation DEEE.



Le présent produit a été fabriqué avec des pièces et du matériel de qualité supérieure susceptibles d'être réutilisés et adaptés au recyclage. Par conséquent, nous vous

conseillons de ne pas le mettre au rebut aux côtés des ordures ménagères à la fin de sa durée de vie. Au contraire, rendez-vous dans un point de collecte pour le recyclage de tout matériel électrique et électronique. Veuillez vous rapprocher des autorités de votre localité pour plus d'informations concernant le point de collecte le plus proche. Aidez-nous à protéger l'environnement et les ressources naturelles en recyclant les produits usagés. Pour la sécurité des enfants, coupez le câble d'alimentation et le mécanisme de verrouillage de la porte, le cas échéant. Ce faisant, vous rendez l'appareil inopérant avant sa mise au rebut.

## **Informations relatives à l'emballage**

Les matériaux d'emballage de cet appareil sont fabriqués à partir de matériaux recyclables, conformément

à nos Réglementations Nationales en Environnement. Ne mélangez pas les matériaux d'emballage avec les déchets domestiques ou d'autres déchets. Amenez-les aux points de collecte des matériaux d'emballage, désignés par les autorités locales.

### **N'oubliez pas...**

Pour la préservation de la nature et de notre santé, il est indispensable de recycler les matières.

Si vous voulez contribuer au recyclage des matériaux d'emballage, vous pouvez vous renseigner auprès d'organisations environnementales ou de l'autorité locale proche de votre domicile.

## **Avertissement HC**

### **Si le système de refroidissement de votre appareil contient R600a :**

Ce gaz est inflammable. Par conséquent, veuillez prendre garde à ne pas endommager le système de refroidissement et les tuyauteries lors de son utilisation ou de son transport. En cas de dommages, éloignez votre produit de toute source potentielle de flammes susceptible de provoquer l'incendie de l'appareil. De même, placez le produit dans une pièce aérée.

### **Ne tenez pas compte de cet avertissement si le système de refroidissement de votre appareil contient R134a.**

Le type de gaz utilisé dans l'appareil est mentionné sur la plaque signalétique située sur la paroi gauche de l'intérieur du réfrigérateur.

Ne jetez jamais l'appareil au feu pour vous en débarrasser.

## **Mesures d'économie d'énergie**

- Ne laissez pas les portes du réfrigérateur ouvertes pendant une durée prolongée.
- N'introduisez pas de denrées ou de boissons chaudes dans le réfrigérateur.
- Ne surchargez pas le réfrigérateur pour ne pas obstruer pas la circulation d'air à l'intérieur.
- N'installez pas le réfrigérateur à la lumière directe du soleil ou près d'appareil émettant de la chaleur tels qu'un four, un lave-vaisselle ou un radiateur. Maintenez une distance d'au moins 30 cm entre votre réfrigérateur et toute source de chaleur, et à une distance de 5cm d'un four électrique.
- Veillez à conserver vos denrées dans des récipients fermés.
- Pour les produits équipés d'un compartiment congélateur : vous pouvez conserver une quantité maximale d'aliments dans le congélateur quand vous enlevez l'étagère ou le tiroir du congélateur. La consommation d'énergie précisée pour votre réfrigérateur a été déterminée en enlevant l'étagère ou le tiroir du congélateur et avec la charge maximale. Il n'y aucun risque à utiliser une étagère ou un tiroir en fonction des formes et tailles des denrées à congeler.
- La décongélation des aliments dans le compartiment réfrigérateur permet de faire des économies d'énergie et de préserver la qualité des aliments.

## 3 Installation

### **⚠ AVERTISSEMENT:**

Dans l'hypothèse ou l'information contenue dans ce manuel n'a pas été prise en compte par l'utilisateur, le fabricant ne sera aucunement responsable en cas de problèmes.

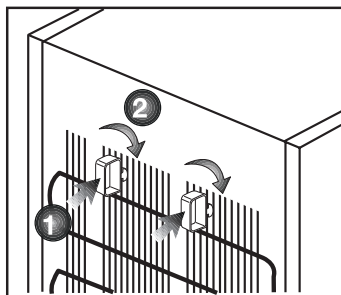
### **Éléments à prendre en considération lors du déplacement de votre réfrigérateur**

1. Votre réfrigérateur doit être débranché. Avant le transport de votre réfrigérateur, vous devez le vider et le nettoyer. Avant d'emballer votre réfrigérateur, vous devez fixer ses étagères, bac, accessoires, etc, avec du ruban adhésif afin de les protéger contre les chocs.
1. L'emballage doit être solidement attaché avec du ruban adhésif épais ou avec un cordage solide. La réglementation en matière de transport et de marquage de l'emballage doit être strictement respectée.
2. L'emballage et les matériaux de protection d'emballage doivent être conservés pour les éventuels transports ou déplacements à venir.

### **Avant de mettre votre réfrigérateur en marche**

Vérifiez les points suivants avant de commencer à utiliser votre réfrigérateur

1. Fixez les câles en plastique tel qu'indiqué sur le schéma ci-dessous. Les câles en plastique servent à maintenir une distance permettant la circulation de l'air entre le réfrigérateur et le mur. (Cette image n'est donnée qu'à titre indicatif ; elle n'est pas identique à votre produit.)
2. Vous pouvez installer les 2 cales en plastique comme illustré dans le schéma. Les cales en plastique maintiendront la distance nécessaire entre votre Congélateur / réfrigérateur et le mur pour permettre une bonne circulation de l'air. (Le schéma présenté est fourni à titre indicatif et peut ne pas correspondre exactement avec votre produit.)



3. Nettoyez l'intérieur du réfrigérateur tel qu'indiqué dans la section « Entretien et nettoyage ».
4. Insérez la prise du réfrigérateur dans la prise murale. Lorsque la porte du réfrigérateur est ouverte, la lampe interne du réfrigérateur s'éclaire.
5. Lorsque le compresseur commence à fonctionner, il émettra un son. Le liquide et les gaz intégrés au système du réfrigérateur peuvent également faire du bruit, que le compresseur soit en marche ou non. Ceci est tout à fait normal.
6. Les parties antérieures du réfrigérateur peuvent chauffer. Ce phénomène est normal. Ces zones doivent en principe être chaudes pour éviter tout risque de condensation.

## Branchement électrique

Branchez votre réfrigérateur à une prise électrique protégée par un fusible ayant une capacité appropriée.

Important :

- Le branchement doit être conforme aux normes en vigueur sur le territoire national.
- La fiche du câble d'alimentation doit être facilement accessible après installation.
- La sécurité électrique du réfrigérateur n'est assurée que si le système de mise à la terre de votre domicile est conforme aux normes en vigueur.
- La tension indiquée sur l'étiquette située sur la paroi gauche interne de votre produit doit correspondre à celle fournie par votre réseau électrique.
- **Les rallonges et prises multivoies ne doivent pas être utilisés pour brancher l'appareil.**

### AVERTISSEMENT:

Un câble d'alimentation endommagé doit être remplacé par un électricien qualifié.

### AVERTISSEMENT:

L'appareil ne doit pas être mis en service avant d'être réparé ! Cette précaution permet d'éviter tout risque de choc électrique!

## Mise au rebut de l'emballage

Les matériaux d'emballage peuvent être dangereux pour les enfants. Tenez les matériaux d'emballage hors de portée des enfants ou jetez-les conformément aux consignes établies par les autorités locales en matière de déchets. Ne les jetez pas avec les déchets domestiques, déposez-les dans les centres de collecte désignés par les autorités locales.

L'emballage de votre appareil est produit à partir de matériaux recyclables.

## Mise au rebut de votre ancien réfrigérateur

Débarassez-vous de votre ancien réfrigérateur sans nuire à l'environnement.

- Vous pouvez consulter le service après-vente agréé ou le centre chargé de la mise au rebut dans votre municipalité pour en savoir plus sur la mise au rebut de votre produit.

Avant de procéder à la mise au rebut de votre machine, coupez la prise électrique et, le cas échéant, tout verrouillage susceptible de se trouver sur la porte. Rendez-les inopérants afin de ne pas exposer les enfants à d'éventuels dangers.

## Disposition et Installation

### AVERTISSEMENT:

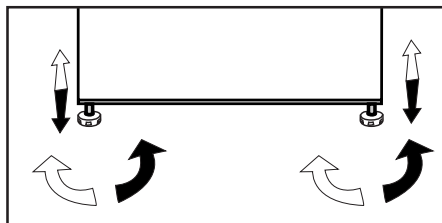
Si la porte d'entrée de la pièce où sera installé le réfrigérateur n'est pas assez large pour laisser passer le réfrigérateur, appelez le service après-vente qui retirera les portes du réfrigérateur et le fera entrer latéralement dans la pièce.

1. Installez le réfrigérateur dans un emplacement qui permette une utilisation pratique.
2. Maintenez le réfrigérateur éloigné de toutes sources de chaleur, des endroits humides et de la lumière directe du soleil.

3. Une ventilation d'air autour du réfrigérateur doit être aménagée pour obtenir un fonctionnement efficace. Si le réfrigérateur est placé dans un enfoncement du mur, il doit y avoir un espace d'au moins 5 cm avec le plafond et d'au moins 5 cm avec le mur. Ne placez pas l'appareil sur des revêtements tels qu'un tapis ou de la moquette.
4. Placez le réfrigérateur sur une surface plane afin d'éviter les à-coups.

### Réglage des pieds

Si le réfrigérateur n'est pas stable. Vous pouvez équilibrer le réfrigérateur en tournant les pieds avant, tel qu'illustré dans le schéma. Le côté où se trouve le pied s'abaisse lorsque vous tournez dans le sens de la flèche noire, et s'élève lorsque vous tournez dans le sens opposé. Si vous vous faites aider par quelqu'un pour légèrement soulever le réfrigérateur, l'opération s'en trouvera simplifiée.



### Remplacement de l'ampoule

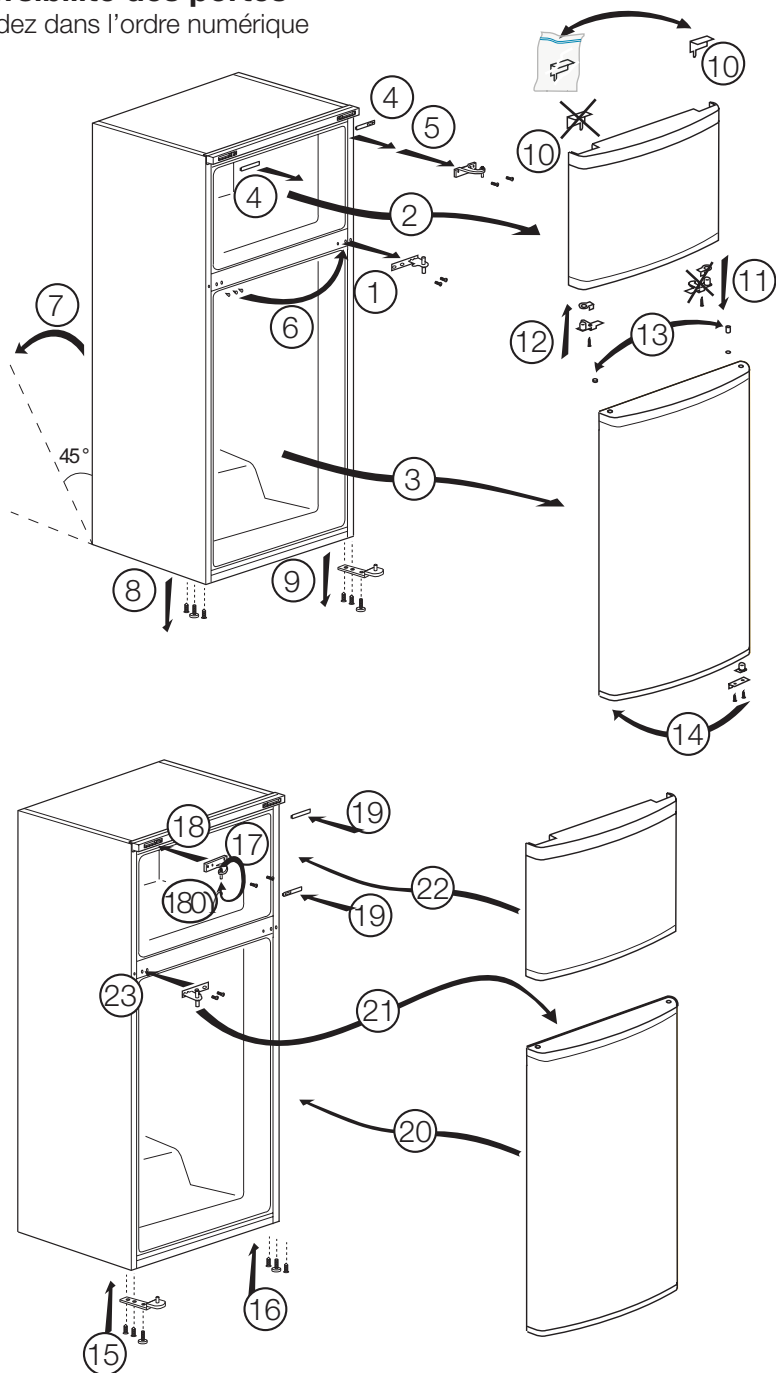
Pour remplacer la lampe LED du réfrigérateur, veuillez contacter le service après-vente agréé.

Les ampoules de cet appareil d'électroménager ne sont pas adaptées à une utilisation d'éclairage. L'utilisation recherchée de cette lampe est de permettre à l'utilisateur de placer confortablement et en sécurité les aliments dans le réfrigérateur / coffre.

Les voyants utilisés dans cet appareil doivent résister aux conditions physiques extrêmes telles que des températures inférieures à -20 °C.

## Réversibilité des portes

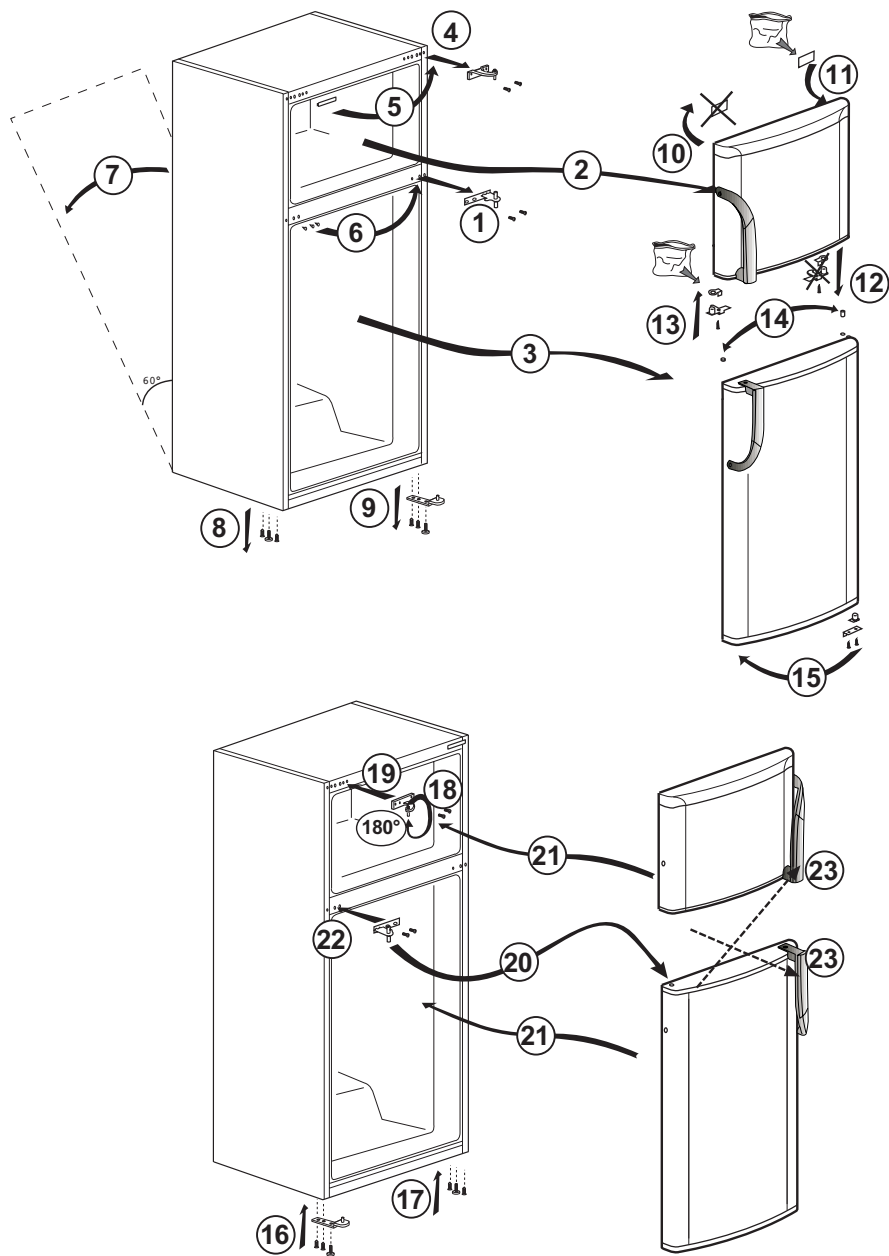
Procédez dans l'ordre numérique





# Réversibilité des portes

Procédez dans l'ordre numérique

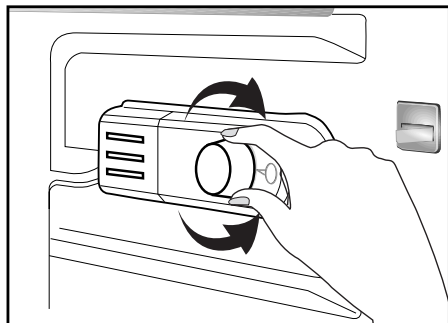


## 4 Préparation

---

- Votre congélateur / réfrigérateur doit être installé à au moins 30 cm des sources de chaleur telles que les plaques de cuisson, les fours, appareils de chauffage ou cuisinières, et à au moins 5 cm des fours électriques. De même, il ne doit pas être exposé à la lumière directe du soleil.
- Veuillez vous assurer que l'intérieur de votre appareil est soigneusement nettoyé.
- La température ambiante de la pièce où vous installez le congélateur / réfrigérateur doit être d'au moins 10°C. Faire fonctionner l'appareil sous des températures inférieures n'est pas recommandé et pourrait nuire à son efficacité.
- Si deux congélateur / réfrigérateurs sont installés côte à côte, ils doivent être séparés par au moins 2 cm.
- Lorsque vous faites fonctionner le congélateur / réfrigérateur pour la première fois, assurez-vous de suivre les instructions suivantes pendant les six premières heures.
- La porte ne doit pas être ouverte fréquemment.
- Le congélateur / réfrigérateur doit fonctionner à vide, sans denrées à l'intérieur.
- Ne débranchez pas le congélateur / réfrigérateur. Si une panne de courant se produit, veuillez vous reporter aux avertissements dans la section « Solutions recommandées aux problèmes ».
- L'emballage et les matériaux de protection d'emballage doivent être conservés pour les éventuels transports ou déplacements à venir.
- Les paniers/tiroirs fournis avec le compartiment rafraîchissement doivent être utilisés de manière continue pour une consommation énergétique minimale et de meilleures conditions de conservation.
- Le contact entre le capteur de température et les denrées alimentaires à l'intérieur du compartiment de congélation peut augmenter la consommation énergétique de l'appareil. Pour cette raison, les contacts avec les capteurs doivent être évités.
- Dans certains modèles, le tableau de bord s'éteint automatiquement 5 minutes après la fermeture de la portière. Il est réactivé à l'ouverture de la portière ou lorsqu'on appuie sur n'importe quelle touche.
- En raison des variations de température dues à l'ouverture ou à la fermeture de la porte de l'appareil en fonctionnement, il est normal que la condensation se forme sur la porte, les étagères ou les récipients en verre.

## 5 Utilisation de votre réfrigérateur



### Bouton de réglage du thermostat

La température intérieure de votre réfrigérateur change pour les raisons suivantes ;

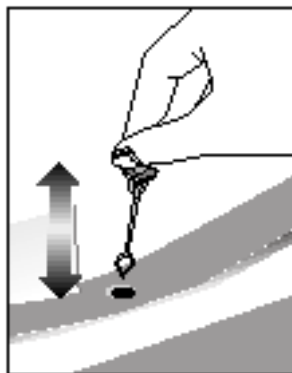
- Températures saisonnières,
- Ouverture fréquente de la porte et porte laissée ouverte pendant de longues périodes,
- Denrées introduites dans le réfrigérateur sans réduction à la température ambiante.
- Emplacement du réfrigérateur dans la pièce (par ex. exposition à la lumière directe du soleil)
- Vous pouvez régler les différentes températures intérieures dues à de telles raisons en utilisant le thermostat. Les numéros entourant le bouton du thermostat indiquent le niveau de refroidissement.
- Si la température ambiante est supérieure à 32°C, réglez le bouton du thermostat à la position maximale.

- Si la température ambiante est inférieure à 25°C, réglez le bouton du thermostat à la position minimale..

### Décongélation

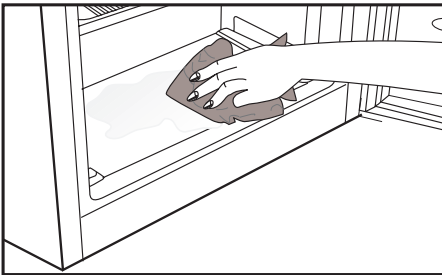
Le compartiment réfrigérateur se dégivre automatiquement. L'eau générée par le dégivrage s'écoule dans la rainure de collecte de l'eau et passe dans l'évaporateur par le tuyau de vidange où elle s'évapore.

- Le compartiment du surgélateur ne réalise pas de dégivrage automatique pour empêcher la détérioration des denrées congelées.
- Vérifiez régulièrement le tuyau de vidange pour vous assurer qu'il n'est pas obstrué et débouchez-le en introduisant un bâton dans le trou si nécessaire.



- La formation de givre dans le compartiment de congélation doit être éliminée tous les 6 mois. Il est recommandé de réaliser le dégivrage lorsque le compartiment du surgélateur n'est pas beaucoup rempli ou lorsqu'il est vide.

- Emballez les denrées congelées dans le réfrigérateur à l'aide de quelques feuilles de papier et conservez-le dans l'endroit le plus froid possible ou dans un autre réfrigérateur.
- Arrêtez votre réfrigérateur à l'aide du bouton de réglage de la température, ou débranchez la prise d'alimentation. Vous pouvez mettre un récipient plein d'eau chaude dans le compartiment congélateur ou laisser sa porte ouverte afin d'accélérer le processus de dégivrage.
- Enlevez l'eau qui s'accumule dans le récipient inférieur du compartiment de congélation à l'aide d'une éponge ou d'un chiffon absorbant.
- Séchez le compartiment complètement et replacez le bouton de réglage de la température dans sa position d'origine.
- Faites fonctionner votre réfrigérateur à vide pendant 2 heures, portes fermées, avant d'y remettre vos denrées.



## Interruption du produit

Si la position « 0 » se trouve sur votre thermostat :

- Votre appareil cessera de fonctionner lorsque vous mettrez le bouton du thermostat à la position « 0 » (zéro). Votre appareil ne démarrera pas à moins que vous mettiez le bouton du thermostat sur la position « 1 » ou sur l'une des autres positions.

Si la position « min » se trouve sur votre thermostat :

- Débranchez votre appareil pour l'arrêter.

## Fabrication de glaçons

(dans certains modèles)

Remplissez le bac à glaçons avec de l'eau et placez-le dans le compartiment du congélateur. Vos glaçons seront prêts dans environ deux heures.

Pour enlever les glaçons du bac à glaçons, sortez ce dernier du congélateur et tordez-le.

## 6 Entretien et nettoyage

- ⚠ N'utilisez jamais d'essence, de benzène ou de matériaux similaires pour le nettoyage.
- ⚠ Nous vous recommandons de débrancher l'appareil avant de procéder au nettoyage.
- ❗ N'utilisez jamais d'ustensiles tranchants, savon, produit de nettoyage domestique, détergent et cirage pour le nettoyage.
- ❗ Pour des appareils qui ne sont pas de la marque No Frost, des gouttes d'eau et une couche de givre pouvant atteindre la largeur d'un doigt se forment sur la paroi arrière du compartiment réfrigérateur. Ne les nettoyez pas et évitez d'y utiliser de l'huile ou des produits similaires.
- ❗ Utilisez uniquement des tissus en microfibres légèrement mouillés pour nettoyer la surface externe de l'appareil. Les éponges et autres tissus de nettoyage sont susceptibles de rayer la surface.
- ❗ Utilisez de l'eau tiède pour nettoyer la carrosserie du congélateur / réfrigérateur et séchez-la soigneusement à l'aide d'un chiffon.
- ❗ Utilisez un chiffon humide imbibé d'une solution composée d'une cuillère à café de bicarbonate de soude pour un demi litre d'eau pour nettoyer l'intérieur et séchez soigneusement.
- ⚠ Prenez soin de ne pas faire couler d'eau dans le logement de la lampe et dans d'autres éléments électriques.
- ⚠ En cas de non utilisation de votre congélateur / réfrigérateur pendant

une période prolongée, débranchez le câble d'alimentation, sortez toutes les denrées, nettoyez-le et laissez la porte entrouverte.

- ❗ Inspectez les joints de porte régulièrement pour vérifier qu'ils sont propres et qu'il n'y a pas de résidus de nourriture.
- ❗ Pour retirer les balconnets de portes, sortez tout son contenu puis poussez simplement le balconnet vers le haut à partir de la base.
- ❗ Ne jamais utiliser des produits nettoyants ou de l'eau contenant du chlore pour le nettoyage des surfaces externes et des pièces chromées du produit. Le chlore entraîne la corrosion de ces surfaces métalliques.
- ❗ Évitez d'utiliser des objets tranchants ou abrasifs, du savon, des produits ménagers de nettoyage, des détergents, de l'essence, du benzène, de la cire, ect. ; autrement, les marques sur les pièces en plastique pourraient s'effacer et les pièces elles-mêmes pourraient présenter des déformations. Utilisez de l'eau tiède et un torchon doux pour nettoyer et sécher.

### Protection des surfaces en plastique.

- Ne placez pas d'huiles ou de plats huileux dans le congélateur / réfrigérateur dans des récipients non fermés, car les graisses peuvent endommager les surfaces en plastique du congélateur / réfrigérateur. Si vous versez ou éclaboussez de l'huile sur les surfaces en plastique, nettoyez et lavez les parties souillées avec de l'eau chaude immédiatement.

## 7 Solutions recommandées aux problèmes

Veillez vérifier la liste suivante avant d'appeler le service après-vente. Cela peut vous faire économiser du temps et de l'argent. Cette liste regroupe les problèmes les plus fréquents ne provenant pas d'un défaut de fabrication ou d'utilisation du matériel. Il se peut que certaines des fonctions décrites ne soient pas présentes sur votre produit.

### Le réfrigérateur ne fonctionne pas

- Le réfrigérateur est-il correctement branché ? Insérez la prise dans la prise murale.
- Est-ce que le fusible ou la douille de raccord du réfrigérateur sont connectés ou est-ce que le fusible principal a sauté ? Vérifiez le fusible.

### Condensation sur la paroi intérieure du compartiment réfrigérateur. (MULTI ZONE, COOL CONTROL et FLEXI ZONE)

- Température ambiante très basse. Ouvertures et fermetures fréquentes de la porte. Humidité ambiante très élevée. Conservation de denrées liquides dans des récipients ouverts. Porte laissée entrouverte.
- Réglez le thermostat à un niveau de froid supérieur.
- Réduisez les temps d'ouverture de la porte ou utilisez-la moins fréquemment.
- Couvrez les denrées dans des récipients ouverts à l'aide d'un matériau adapté.
- Essuyez la condensation à l'aide d'un tissu sec et vérifiez si elle persiste.

### Le compresseur ne fonctionne pas.

- Le dispositif de protection thermique du compresseur sautera en cas de coupures soudaines du courant ou de débranchement intempestif, en effet la pression du liquide réfrigérant du système de refroidissement ne sera pas équilibrée.
- Le réfrigérateur recommencera à fonctionner normalement après 6 minutes environ. Veuillez contacter le service après-vente si le réfrigérateur ne redémarre pas après cette période.
- Le réfrigérateur est en mode de dégivrage. Cela est normal pour un réfrigérateur à dégivrage semi-automatique. Le cycle de dégivrage se déclenche régulièrement.
- Le réfrigérateur n'est pas branché à la prise. Assurez-vous que la prise est branchée correctement à la prise murale.
- Les réglages de température sont-ils corrects ? Il y a une panne de courant. Veuillez contacter votre fournisseur d'électricité.

### Le réfrigérateur fonctionne fréquemment ou pendant de longues périodes.

- Votre nouveau réfrigérateur est peut être plus large que l'ancien. Ceci est tout à fait normal. Les grands réfrigérateurs fonctionnent pendant une période de temps plus longue.
- La température ambiante de la salle peut être élevée. Ce phénomène est tout à fait normal.
- Le réfrigérateur pourrait y avoir été branché tout récemment ou pourrait avoir été chargé de denrées alimentaires. Le refroidissement complet du réfrigérateur peut durer quelques heures de plus.
- D'importantes quantités de denrées chaudes ont peut être été introduites dans le réfrigérateur récemment. Les denrées chaudes provoquent un fonctionnement prolongé du réfrigérateur avant d'atteindre le niveau de température de conservation raisonnable.
- Les portes ont peut être été ouvertes fréquemment ou laissées entrouvertes pendant une durée prolongée. L'air chaud qui entre dans le réfrigérateur le fait fonctionner pendant de plus longues périodes. Ouvrez les portes moins souvent.
- La porte du réfrigérateur ou du congélateur ont peut être été laissées entrouvertes. Vérifiez que les portes sont bien fermées.
- Le réfrigérateur est réglé à une température très basse. Réglez la température du réfrigérateur à un degré supérieur et attendez jusqu'à ce que la température soit bonne.
- Le joint de la porte du réfrigérateur ou du congélateur peut être sale, déchiré, rompu ou mal en place. Nettoyez ou remplacez le joint. Tout joint endommagé/ déchiré fait fonctionner le réfrigérateur pendant une période de temps plus longue afin de conserver la température actuelle.

La température du congélateur est très basse alors que celle du réfrigérateur est correcte.

- La température du congélateur est réglée à une température très basse. Réglez la température du congélateur à un degré supérieur et vérifiez.

La température du réfrigérateur est très basse alors que celle du congélateur est correcte.

- La température du réfrigérateur est réglée à une température très basse. Réglez la température du réfrigérateur à un degré supérieur et vérifiez.

Les denrées conservées dans les tiroirs du compartiment de réfrigération congèlent.

- La température du réfrigérateur est réglée à une température très basse. Réglez la température du réfrigérateur à un degré supérieur et vérifiez.

La température dans le réfrigérateur ou le congélateur est très élevée.

- La température du réfrigérateur est réglée à un niveau de froid très élevé. Le réglage du réfrigérateur a un effet sur la température du congélateur. Modifiez la température du réfrigérateur ou du congélateur jusqu'à ce qu'elles atteignent un niveau correct.
- La porte est peut être restée ouverte. Refermez complètement la porte.
- D'importantes quantités de denrées chaudes ont peut être été introduites dans le réfrigérateur récemment. Attendez que le réfrigérateur ou le congélateur atteigne la bonne température.
- Le réfrigérateur y a peut être été branché récemment. Le refroidissement complet du réfrigérateur nécessite du temps à cause de sa taille.

Un bruit similaire au son émis par l'aiguille des secondes d'une horloge analogique provient du réfrigérateur.

- Ce bruit provient de la valve solénoïde du réfrigérateur. La valve solénoïde fonctionne afin d'assurer le passage du réfrigérant à travers le compartiment qui peut être ajusté aux températures de refroidissement et de congélation, et dans le but d'effectuer les fonctions de refroidissement. Ce phénomène est tout à fait normal et ne constitue nullement un dysfonctionnement.

Le niveau sonore augmente lorsque le réfrigérateur est en marche.

- Les caractéristiques de performance du réfrigérateur peuvent changer en fonction des variations de la température ambiante. Cela est normal et n'est pas un défaut.

Vibrations ou bruits

- Le sol n'est pas plat ou n'est pas solide. Le réfrigérateur oscille lorsqu'on le bouge lentement. Assurez-vous que le sol est plat, solide et qu'il peut supporter le réfrigérateur.
- Les bruits peuvent être produits par les objets placés sur le réfrigérateur. De tels objets doivent être enlevés du dessus du réfrigérateur.

Le réfrigérateur produit des bruits semblables à de l'eau qui coule ou à la pulvérisation d'un liquide.

- Des écoulements de gaz et de liquides se produisent dans le réfrigérateur, de par ses principes de fonctionnement. Cela est normal et n'est pas un défaut.

Le réfrigérateur produit des bruits semblables à du vent.

- Des activateurs d'air (ventilateurs) sont utilisés pour permettre au réfrigérateur de fonctionner efficacement. Cela est normal et n'est pas un défaut.

Condensation sur les parois intérieures du réfrigérateur.

- Un temps chaud et humide augmente la formation de givre et de condensation. Cela est normal et n'est pas un défaut.
- Les portes sont entrouvertes. Assurez-vous que les portes sont complètement fermées.
- Les portes ont peut être été ouvertes très fréquemment ou ont peut être été laissées ouvertes pendant une durée prolongée. Ouvrez la porte moins souvent.

De l'humidité est présente à l'extérieur ou entre les portes du réfrigérateur.



- Le temps est peut être humide. Ceci est tout à fait normal avec un temps humide. Lorsque l'humidité est faible, la condensation disparaîtra.

#### Présence d'une mauvaise odeur dans le réfrigérateur.

- L'intérieur du réfrigérateur doit être nettoyé. Nettoyez l'intérieur du réfrigérateur avec une éponge, de l'eau ou de l'eau gazeuse chaude.
- Certains récipients ou matériaux d'emballage peuvent provoquer ces odeurs. Utilisez un autre récipient ou changez de marque de matériau d'emballage.

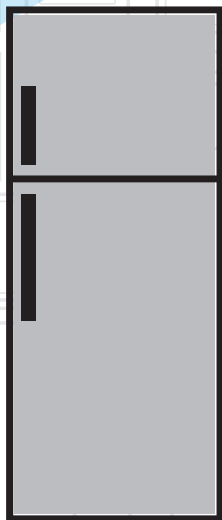
#### La (les) porte(s) ne se ferme(nt) pas.

- Des récipients peuvent empêcher la fermeture de la porte. Remplacez les emballages qui obstruent la porte.
- Le réfrigérateur n'est probablement pas complètement vertical et il peut balancer lorsqu'on le bouge légèrement. Réglez les vis de levage.
- Le sol n'est pas plat ou solide. Assurez-vous que le sol est plat et qu'il peut supporter le réfrigérateur.

#### Les bacs à légumes sont coincés.

- Il se peut que les denrées touchent le plafond du tiroir. Disposez à nouveau les denrées dans le tiroir.

# Ψυγείο Εγχειρίδιο Χρήστη



EL |

**beko**

## **Παρακαλούμε διαβάστε πρώ τα το παρόν εγχειρίδιο!**

Αγαπητέ Πελάτη,

Ελπίζουμε ότι το προϊόν σας, που έχει κατασκευαστεί σε μοντέρνες εγκαταστάσεις και έχει ελεγχθεί με τις πιο αυστηρές διαδικασίες ελέγχου ποιότητας, θα σας προσφέρει μια αποδοτική υπηρεσία.




Για το λόγο αυτό, συνιστούμε να διαβάσετε προσεκτικά όλο το εγχειρίδιο οδηγιών του προϊόντος σας πριν το χρησιμοποιήσετε και κατόπιν να το φυλάξετε σε εύκολα προσπελάσιμο σημείο για μελλοντική αναφορά.

### **Το παρόν εγχειρίδιο**

- Θα σας βοηθήσει να χρησιμοποιήσετε τη συσκευή σας με γρήγορο και ασφαλή τρόπο.
- Διαβάστε το εγχειρίδιο πριν την εγκατάσταση και τη χρήση του προϊόντος σας.
- Ακολουθείτε τις οδηγίες και ιδιαίτερα αυτές που αφορούν την ασφάλεια.
- Φυλάξτε το εγχειρίδιο σε εύκολα προσπελάσιμο μέρος γιατί μπορεί να το χρειαστείτε αργότερα.
- Επιπλέον, διαβάστε και την υπόλοιπη τεκμηρίωση που συνοδεύει το προϊόν σας. Έχετε υπόψη σας ότι το παρόν εγχειρίδιο μπορεί να ισχύει και για άλλα μοντέλα.

### **Σύμβολα και οι περιγραφές τους**

Το παρόν εγχειρίδιο οδηγιών περιέχει τα εξής σύμβολα:

-  Σημαντικές πληροφορίες ή χρήσιμες συμβουλές για τη χρήση
-  Προειδοποίηση για συνθήκες επικίνδυνες για τη ζωή και την περιουσία.
-  Προειδοποίηση για ηλεκτρική τάση.

## ΠΕΡΙΕΧΟΜΕΝΑ

### 1 Το ψυγείο σας 3

### 2 Σημαντικές προειδοποιήσεις ασφαλείας 4

|   |    |
|---|----|
| Προβλεπόμενος σκοπός χρήσης                       | 4  |
| Για προϊόντα με διανομέα νερού:                   | 10 |
| Ασφάλεια των παιδιών                              | 11 |
| Προειδοποίηση HC (Για συσκευές Ψύξης - Θέρμανσης) | 11 |
| Τι πρέπει να κάνετε για εξοικονόμηση ενέργειας    | 12 |

### 3 Εγκατάσταση 13

|  |    |
|--|----|
| Σημεία που πρέπει να προσέξετε κατά την εκ νέου μεταφορά του ψυγείου | 13 |
| Πριν θέσετε σε λειτουργία το ψυγείο σας                              | 13 |
| Διάθεση των υλικών συσκευασίας                                       | 14 |
| Διάθεση του παλιού σας ψυγείου                                       | 14 |
| Τοποθέτηση και εγκατάσταση   | 14 |
| Ρύθμιση των ποδιών   | 15 |
| Αντικατάσταση της λάμπας φωτισμού                                    | 15 |
| Αντιστροφή της φοράς ανοίγματος των πορτών                           | 16 |
| Αντιστροφή της φοράς ανοίγματος των πορτών                           | 17 |

### 4 Προετοιμασία 18

### 5 Χρήση του ψυγείου σας 19

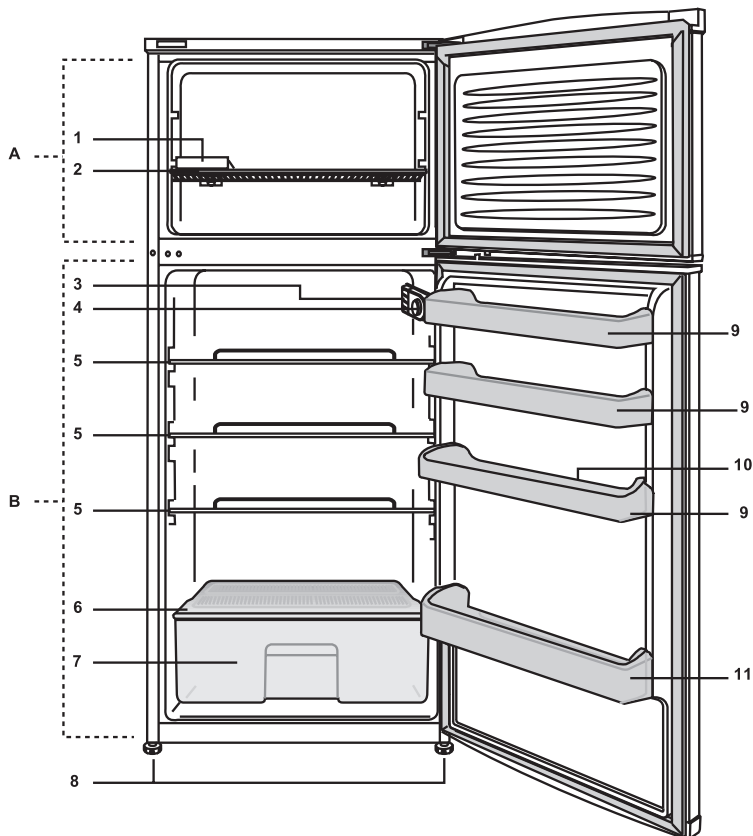
|  |    |
|--|----|
| Κουμπί ρύθμισης θερμοστάτη               | 19 |
| Απόψυξη                                  | 19 |
| Πώς να φτιάχνετε παγάκια                 | 20 |
| Διακοπή της λειτουργίας της συσκευής σας | 20 |

### 6 Συντήρηση και καθαρισμός 21

|                                    |    |
|------------------------------------|----|
| Προστασία των πλαστικών επιφανειών | 21 |
|------------------------------------|----|

### 7 Συνιστώμενες λύσεις για προβλήματα 22

# 1 Το ψυγείο σας



A- Θάλαμος κατάψυξης  
B- Θάλαμος συντήρησης

1- Δίσκος για παγάκια  
2- Ράφι κατάψυξης  
3- Εσωτερικός φωτισμός  
4- Περιστροφικό κουμπι θερμοστάτη

5- Ράφια θαλάμου συντήρησης  
6- Κάλυμμα συρταριού λαχανικών  
7- Συρτάρι λαχανικών  
8 - Ρυθμιζόμενα μπροστινά πόδια  
9. Ράφια πόρτας  
10- Θήκη αυγών  
11- Ράφι για μπουκάλια

**ⓘ** Οι εικόνες σ' αυτό το εγχειρίδιο οδηγιών είναι σχηματικές και ενδέχεται να μην ανταποκρίνονται ακριβώς στο προϊόν σας. Αν ορισμένα τμήματα δεν περιλαμβάνονται στο προϊόν που έχετε προμηθευτεί, τότε ισχύουν για άλλα μοντέλα.

## 2 Σημαντικές προειδοποιήσεις ασφαλείας

Παρακαλούμε να μελετήσετε τις πληροφορίες που ακολουθούν. Η μη τήρηση αυτών των πληροφοριών μπορεί να γίνει αιτία τραυματισμών ή υλικών ζημιών. Αν δεν το κάνετε αυτό, θα καταστεί άκυρη κάθε εγγύηση και κάθε δέσμευση περί αξιοπιστίας.

Γνήσια ανταλλακτικά θα είναι διαθέσιμα για 10 έτη από την ημερομηνία αγοράς του προϊόντος.

### Προβλεπόμενος σκοπός χρήσης

**ΠΡΟΣΟΧΗ:**  
βεβαιωθείτε ότι οι οπές εξαερισμού δεν είναι κλεισμένοι όταν η συσκευή είναι στη δική συσκευασία της και όταν είναι εγκατεστημένη.



### ΠΡΟΣΟΧΗ:

Για να επιταχυνθεί η λειτουργία απόψυξης, παρακαλούμε να μη χρησιμοποιείτε κανένα άλλο μηχανικό ή άλλο εξοπλισμό εκτός από τα οποία που συνιστώνται από τον κατασκευαστή.



### ΠΡΟΣΟΧΗ:

Μην καταστρέψετε το ψυκτικό κύκλωμα.



### ΠΡΟΣΟΧΗ:

Μην χρησιμοποιείτε ηλεκτρικές συσκευές που δεν συνιστώνται από τον κατασκευαστή στους χώρους αποθήκευσης τροφίμων.

Αυτή η συσκευή έχει σχεδιαστεί για χρήση στο σπίτι ή στις παρακάτω περιοχές εφαρμογής

- Μπορεί να χρησιμοποιηθεί στις κουζίνες των γραφείων, μαγαζιών και των άλλων των εργασιακών περιβαλλόντων,
- Μπορεί να χρησιμοποιηθεί από τους πελάτες στα αγρόκτηματα, ξενοδοχεία, μοτέλ και στα άλλα περιβάλλοντα καταλύματος,

## Γενικές οδηγίες ασφαλείας

- Όταν θέλετε να πετάξετε ως άχρηστο ή να ανακυκλώσετε το προϊόν, συνιστούμε για τις απαιτούμενες πληροφορίες να συμβουλευτείτε το εξουσιοδοτημένο σέρβις ή τους αρμόδιους φορείς.
- Να συμβουλευέστε το εξουσιοδοτημένο

σέρβις για όλες τις ερωτήσεις και προβλήματα σχετικά με το ψυγείο. Μην επεμβαίνετε και μην αφήνετε οποιονδήποτε άλλον να επέμβει στο ψυγείο χωρίς να ειδοποιήσετε το εξουσιοδοτημένο σέρβις.

- Για προϊόντα με χώρο κατάψυξης: Μην καταναλώνετε παγωτό και παγοκύβους αμέσως μόλις τα βγάλετε από το χώρο της κατάψυξης! (Αυτό μπορεί να προκαλέσει κρυσπαγήματα στο στόμα σας).
- Για προϊόντα με χώρο κατάψυξης: Μην τοποθετείτε στην κατάψυξη ποτά ή αναψυκτικά σε μπουκάλια ή μεταλλικά κουτιά. Αλλιώς, υπάρχει κίνδυνος να σκάσουν.
- Μην αγγίζετε τα παγωμένα τρόφιμα με τα χέρια, γιατί μπορεί να κολλήσουν στο χέρι σας.

- Αποσυνδέετε το ψυγείο από την πρίζα πριν τον καθαρισμό ή την απόψυξη.
- Δεν πρέπει να χρησιμοποιείτε ποτέ ατμό και ατμοποιημένα καθαριστικά υλικά στις διαδικασίες καθαρισμού και απόψυξης του ψυγείου σας. Σε τέτοιες περιπτώσεις, ο ατμός μπορεί να έλθει σε επαφή με τα ηλεκτρικά εξαρτήματα και να γίνει η αιτία βραχυκυκλώματος ή ηλεκτροπληξίας.
- Ποτέ μη χρησιμοποιείτε εξαρτήματα του ψυγείου σας, όπως η πόρτα, ως μέσο στήριξης ή ως σκαλοπάτι.
- Μη χρησιμοποιείτε ηλεκτρικές συσκευές στο εσωτερικό του ψυγείου.
- Μην προξενήσετε ζημιά με εργαλεία διάτρησης ή κοπής στα μέρη της συσκευής όπου κυκλοφορεί το ψυκτικό μέσο. Το ψυκτικό μέσο που μπορεί να εκτιναχθεί αν τρυπήσουν οι διόδοι αερίου του εξατμιστήρα, των επεκτάσεων σωλήνων ή των επιφανειακών επικαλύψεων, προκαλεί ερεθισμό στο δέρμα και τραυματισμό στα μάτια.
- Μην καλύπτετε και μην φράσσετε με οποιοδήποτε υλικό τα ανοίγματα αερισμού του ψυγείου σας.
- Οι επισκευές σε ηλεκτρικές συσκευές πρέπει να διεξάγονται μόνο από εξουσιοδοτημένο προσωπικό. Οι επισκευές που γίνονται από αναρμόδια άτομα δημιουργούν κινδύνους για το χρήστη.
- Σε περίπτωση οποιασδήποτε βλάβης ή κατά τη διάρκεια των εργασιών συντήρησης ή επισκευών, να αποσυνδέετε το ψυγείο από την παροχή ηλεκτρικού ρεύματος είτε απενεργοποιώντας



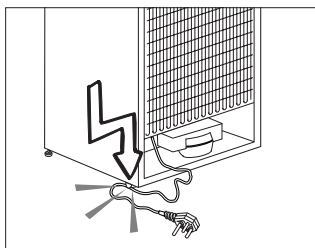
τον αντίστοιχο ασφαλειοδιακόπτη είτε βγάζοντας το φιν από την πρίζα.

- Για την αποσύνδεση του φιν μην τραβάτε το καλώδιο.
- Βεβαιωθείτε ότι τα υψηλού βαθμού αλκοολούχα ποτά αποθηκεύονται με ασφάλεια με το καπάκι στερεωμένο και τοποθετημένο σε όρθια θέση.
- Ποτέ μην αποθηκεύετε στο ψυγείο μπουκάλια σπρέι που περιέχουν εύφλεκτες και εκρηκτικές ουσίες.
- Μη χρησιμοποιείτε μηχανικές διατάξεις ή άλλα μέσα για να επιταχύνετε τη διαδικασία της απόψυξης, εκτός από τα μέσα που συνιστά ο κατασκευαστής.
- Το προϊόν αυτό δεν προορίζεται για χρήση από άτομα με σωματικά, αισθητηριακά ή διανοητικά προβλήματα

ή από άτομα με έλλειψη εμπειρίας (περιλαμβανομένων παιδιών), εκτός αν τα άτομα βρίσκονται υπό την επίβλεψη ατόμου που θα είναι υπεύθυνο για την ασφάλειά τους ή που θα τα καθοδηγήσει όπως απαιτείται για τη χρήση του προϊόντος

- Μη χρησιμοποιήσετε το ψυγείο αν έχει υποστεί βλάβη ή ζημιά. Αν έχετε οποιαδήποτε αμφιβολία συμβουλευτείτε τον αντιπρόσωπο σέρβις.
- Η ηλεκτρική ασφάλεια του ψυγείου σας θα είναι εγγυημένη μόνον αν το σύστημα γείωσης του σπιτιού σας συμμορφώνεται με τα ισχύοντα πρότυπα.
- Η έκθεση του προϊόντος σε βροχή, χιόνι, ήλιο και άνεμο δημιουργεί κινδύνους σε σχέση με την ασφάλεια με το ηλεκτρικό ρεύμα.
- Αν υπάρχει ζημιά στο καλώδιο ρεύματος, για την αποφυγή κινδύνου επικοινωνήστε με το

- εξουσιοδοτημένο σέρβις.
- Σε καμία περίπτωση μη συνδέσετε το ψυγείο στην πρίζα κατά τη διάρκεια της εγκατάστασης. Αλλιώς, μπορεί να δημιουργηθεί κίνδυνος θανάτου ή σοβαρού τραυματισμού.
  - Το ψυγείο αυτό προορίζεται αποκλειστικά για τη φύλαξη τροφίμων. Δεν πρέπει να χρησιμοποιηθεί για οποιονδήποτε άλλο σκοπό.
  - Η ετικέτα τεχνικών προδιαγραφών βρίσκεται πάνω στο αριστερό τοίχωμα στο εσωτερικό του ψυγείου.
  - Ποτέ μη συνδέσετε το ψυγείο σας σε συστήματα εξοικονόμησης ενέργειας, γιατί αυτά μπορεί να προκαλέσουν ζημιά στο ψυγείο.
  - Αν το ψυγείο σας διαθέτει μπλε φως, μην κοιτάζετε το μπλε φως μέσω οπτικών διατάξεων.
  - Για ψυγεία με μη αυτόματο σύστημα ελέγχου, μετά από διακοπή ρεύματος περιμένετε τουλάχιστον 5 λεπτά πριν θέσετε πάλι το ψυγείο σε λειτουργία.
  - Σε περίπτωση μεταβίβασης, το παρόν εγχειρίδιο χρήσης θα πρέπει να παραδοθεί στον καινούριο ιδιοκτήτη του προϊόντος.
  - Αποφύγετε την πρόκληση ζημιάς στο καλώδιο ρεύματος όταν μεταφέρετε το ψυγείο. Αν το καλώδιο τσακίσει μπορεί να προκληθεί πυρκαγιά. Ποτέ μην τοποθετείτε βαριά αντικείμενα πάνω στο καλώδιο ρεύματος. Μην αγγίζετε το φινι με υγρά χέρια όταν συνδέετε το προϊόν στην πρίζα.



Μη συνδέσετε το ψυγείο σε πρίζα που δεν είναι καλά στερεωμένη στη θέση της.

- Για λόγους ασφαλείας, δεν πρέπει ποτέ να πιτσιλίζετε νερό απ' ευθείας σε εσωτερικά ή εξωτερικά μέρη του προϊόντος.
  - Για να αποφύγετε τον κίνδυνο πυρκαγιάς και έκρηξης, μην ψεκάζετε κοντά στο ψυγείο υλικά που περιέχουν εύφλεκτα αέρια όπως προπάνιο κ.λ.π.
  - Ποτέ μην τοποθετείτε πάνω στο ψυγείο δοχεία που περιέχουν νερό, γιατί μπορεί να προκληθεί ηλεκτροπληξία ή πυρκαγιά.
  - Μην υπερφορτώνετε το ψυγείο με υπερβολική ποσότητα τροφίμων.
- Αν υπερφορτωθεί το ψυγείο, όταν ανοίγετε την πόρτα τα τρόφιμα μπορεί να πέσουν και να σας κτυπήσουν ή να προξενήσουν ζημιά στο ψυγείο. Ποτέ μην τοποθετείτε αντικείμενα πάνω στο ψυγείο. Διαφορετικά μπορεί να πέσουν όταν ανοίγετε ή κλείνετε την πόρτα του ψυγείου.
  - Επειδή για τη φύλαξη τους απαιτούνται ακριβείς συνθήκες θερμοκρασίας, δεν πρέπει να φυλάσσονται στο ψυγείο εμβόλια, φάρμακα ευαίσθητα στη θερμοκρασία, επιστημονικά υλικά κλπ.
  - Το ψυγείο θα πρέπει να αποσυνδέεται από το ρεύμα αν δεν πρόκειται να χρησιμοποιηθεί για μεγάλο χρονικό διάστημα. Ένα ενδεχόμενο πρόβλημα στο καλώδιο ρεύματος μπορεί να προκαλέσει πυρκαγιά.

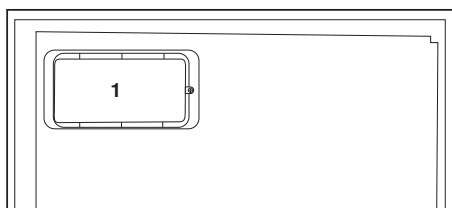
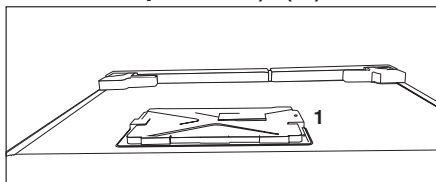
- Το ψυγείο μπορεί να μετακινηθεί αν τα ρυθμιζόμενα πόδια δεν έχουν ρυθμιστεί ώστε να έχουν σταθερή επαφή με το δάπεδο. Η σωστή στερέωση των ρυθμιζόμενων ποδιών στο δάπεδο μπορεί να αποτρέψει τη μετακίνηση του ψυγείου.

- Όταν μεταφέρετε το ψυγείο μην το κρατάτε από τη λαβή της πόρτας. Διαφορετικά, αυτή μπορεί να σπάσει.

- Όταν χρειαστεί να εγκαταστήσετε το ψυγείο σας δίπλα σε άλλο ψυγείο ή καταψύκτη, η απόσταση ανάμεσα στις συσκευές θα πρέπει να είναι τουλάχιστον 8 εκ. Διαφορετικά, μπορεί να σχηματιστεί υγρασία στα γειτονικά πλευρικά τοιχώματα.

- Σε καμία περίπτωση μη χρησιμοποιήσετε το προϊόν αν είναι ανοικτό το τμήμα στο πάνω ή πίσω μέρος του προϊόντος

που περιέχει τις πλακέτες τυπωμένων κυκλωμάτων (κάλυμμα τυπωμένων κυκλωμάτων) (1).



### Για προϊόντα με διανομέα νερού:

- Η μέγιστη πίεση για την είσοδο κρύου νερού θα είναι 90 psi (6,2 bar). Αν η πίεση νερού υπερβαίνει τα 80 psi (5,5 bar), χρησιμοποιήστε μια βαλβίδα περιορισμού πίεσης στο σύστημα παροχής νερού σας. Αν δεν γνωρίζετε πώς να ελέγξετε την πίεση νερού, ζητήστε τη βοήθεια επαγγελματία υδραυλικού.

- Αν υπάρχει κίνδυνος φαινομένου υδραυλικού πλήγματος (απότομης μεταβολής πίεσης του νερού) στην εγκατάστασή σας, πάντα να χρησιμοποιείτε στην εγκατάσταση εξοπλισμό αποτροπής του υδραυλικού πλήγματος. Συμβουλευτείτε επαγγελματίες υδραυλικούς αν δεν είστε σίγουροι ότι δεν υπάρχει φαινόμενο υδραυλικού πλήγματος στην εγκατάστασή σας.
- Μην εγκαταστήσετε στην είσοδο ζεστού νερού. Λάβετε μέτρα προφύλαξης έναντι του κινδύνου να παγώσουν οι εύκαμπτοι σωλήνες. Η περιοχή θερμοκρασιών νερού λειτουργίας είναι από ελάχιστη 0,6 °C (33 °F) έως μέγιστη 38 °C (100 °F).

- Χρησιμοποιείτε μόνο πόσιμο νερό.

### **Ασφάλεια των παιδιών**

- Αν το ψυγείο σας διαθέτει κλειδαριά, πρέπει να φυλάτε το κλειδί μακριά από παιδιά.
- Τα παιδιά πρέπει να βρίσκονται υπό επίβλεψη ώστε να μην επεμβαίνουν στο προϊόν.

### **Προειδοποίηση HC (Για συσκευές Ψύξης - Θέρμανσης)**

**Αν το ψυκτικό σύστημα της συσκευής σας περιέχει R600a:**

Το αέριο αυτό είναι εύφλεκτο. Για το λόγο αυτό, προσέχετε να μην προκληθεί ζημιά στο ψυκτικό σύστημα και τις σωληνώσεις του κατά τη χρήση και τη μεταφορά της συσκευής. Σε περίπτωση ζημιάς, κρατήστε τη συσκευή σας μακριά από ενδεχόμενες πηγές φωτιάς οι οποίες μπορούν να κάνουν το προϊόν να πιάσει φωτιά και αερίστε το χώρο στον οποίο είναι τοποθετημένη η μονάδα.

**Αγνοήστε αυτή την προειδοποίηση αν το ψυκτικό σύστημα της συσκευής σας περιέχει R134a.**

Ο τύπος αερίου που χρησιμοποιείται στο προϊόν αναφέρεται στην πινακίδα στοιχείων η οποία βρίσκεται πάνω στο αριστερό τοίχωμα στο εσωτερικό του ψυγείου.

Σε καμία περίπτωση μην πετάξετε το προϊόν σε φωτιά.

## Τι πρέπει να κάνετε για εξοικονόμηση ενέργειας

- Μην αφήνετε τις πόρτες του ψυγείου σας ανοικτές για μεγάλο χρονικό διάστημα.
- Μην τοποθετείτε ζεστά φαγητά ή ποτά στο ψυγείο σας.
- Μην υπερφορτώνετε το ψυγείο σας, ώστε να μην εμποδίζεται η κυκλοφορία αέρα στο εσωτερικό του.
- Μην τοποθετείτε το ψυγείο σας σε απ' ευθείας ηλιακό φως ή κοντά σε συσκευές που εκπέμπουν θερμότητα όπως φούρνους, πλυντήρια πιάτων ή σώματα θέρμανσης.
- Φροντίστε να διατηρείτε τα τρόφιμα σε κλειστά δοχεία.
- Για προϊόντα με χώρο κατάψυξης: Μπορείτε να φυλάξετε τη μέγιστη ποσότητα τροφίμων στην κατάψυξη όταν αφαιρέστε το ράφι ή το συρτάρι της κατάψυξης. Η αναφερόμενη τιμή κατανάλωσης ενέργειας για το ψυγείο σας προσδιορίστηκε ενώ είχε αφαιρεθεί το ράφι ή το συρτάρι της κατάψυξης και με το μέγιστο φορτίο τροφίμων. Δεν υπάρχει πρόβλημα από τη χρήση ραφιού ή συρταριού ανάλογα με τα σχήματα και τα μεγέθη των τροφίμων που πρόκειται να καταψυχθούν.
- Η απόψυξη των κατεψυγμένων τροφίμων στο χώρο συντήρησης θα παρέχει και εξοικονόμηση ενέργειας και καλύτερη διατήρηση της ποιότητας των τροφίμων.

### 3 Εγκατάσταση

⚠ Παρακαλούμε να θυμάστε ότι δεν θα θεωρείται υπεύθυνος ο κατασκευαστής αν δεν τηρηθούν οι πληροφορίες που δίνονται στο εγχειρίδιο οδηγιών.

#### Σημεία που πρέπει να προσέξετε κατά την εκ νέου μεταφορά του ψυγείου

1. Θα πρέπει να αδειάσετε και να καθαρίσετε το ψυγείο σας πριν από οποιαδήποτε μεταφορά.
2. Πριν τοποθετήσετε πάλι το ψυγείο στη συσκευασία του, τα ράφια, τα αξεσουάρ, το συρτάρι λαχανικών κλπ. θα πρέπει να στερεωθούν με χρήση κολλητικής ταινίας για προστασία από τα τραντάγματα.
3. Η συσκευασία θα πρέπει να ασφαλιστεί με ταινίες κατάλληλου πάχους και γερά σχοινιά και θα πρέπει να ακολουθούνται οι κανόνες μεταφοράς που είναι τυπωμένοι στο κιβώτιο.

#### Μην ξεχνάτε...

Κάθε υλικό που ανακυκλώνεται είναι μια απαραίτητη πηγή υλικών προς όφελος της φύσης και των εθνικών μας πόρων.

Αν επιθυμείτε να συμβάλετε στην ανακύκλωση των υλικών συσκευασίας, μπορείτε να πάρετε περισσότερες πληροφορίες από τους περιβαλλοντικούς φορείς ή τις τοπικές αρχές.

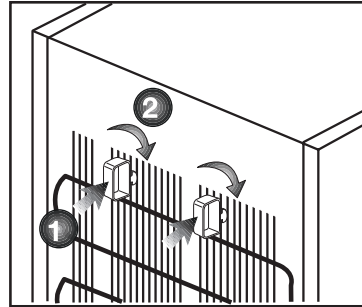
#### Πριν θέσετε σε λειτουργία το ψυγείο σας

Πριν αρχίσετε να χρησιμοποιείτε το ψυγείο σας ελέγξτε τα εξής:

Καθαρίστε το εσωτερικό του ψυγείου όπως συνιστάται στην ενότητα "Συντήρηση και καθαρισμός".

Συνδέστε το ψυγείο στην πρίζα στον τοίχο. Όταν ανοιχτεί η πόρτα, το εσωτερικό φως στο χώρο συντήρησης θα ανάψει.

Οι μπροστινές ακμές του ψυγείου μπορεί να είναι θερμές στο άγγιγμα. Αυτό είναι φυσιολογικό. Οι περιοχές αυτές έχουν σχεδιαστεί να είναι θερμές ώστε να αποφεύγεται η συμπύκνωση.



1. Είναι το εσωτερικό του ψυγείου στεγνό και μπορεί ο αέρας να κυκλοφορεί ανεμπόδιστα στο πίσω του μέρος;
2. Εισάγετε τις 2 πλαστικές σφήνες στο πίσω σύστημα αερισμού, όπως δείχνει η ακόλουθη εικόνα. Οι πλαστικές σφήνες θα παρέχουν την απαιτούμενη απόσταση ανάμεσα στο ψυγείο σας και τον τοίχο ώστε να επιτρέπεται η κυκλοφορία του αέρα.
3. Καθαρίστε το εσωτερικό του ψυγείου όπως συνιστάται στην ενότητα "Συντήρηση και καθαρισμός".

#### Ηλεκτρική σύνδεση

Συνδέστε τη συσκευή σας σε γειωμένη πρίζα η οποία προστατεύεται από ασφάλεια κατάλληλης ονομαστικής τιμής ρεύματος.

Σημαντική παρατήρηση:

- Η σύνδεση πρέπει να συμμορφώνεται με τους εθνικούς κανονισμούς.
- Το φως του καλωδίου ρεύματος πρέπει να είναι εύκολα προσπελάσιμο μετά την εγκατάσταση.
- Η καθοριζόμενη ηλεκτρική τάση πρέπει να είναι ίδια με την τάση ρεύματος του δικτύου σας.
- Δεν πρέπει να χρησιμοποιούνται καλώδια προέκτασης και πολύπριζα για τη σύνδεση στο ρεύμα.

⚠ Αν ένα καλώδιο ρεύματος έχει υποστεί ζημιά, αυτό πρέπει να αντικατασταθεί από αδειούχο ειδικό τεχνικό.

⚠ Δεν επιτρέπεται η λειτουργία της συσκευής πριν την επισκευή! Υπάρχει κίνδυνος ηλεκτροπληξίας!

## Διάθεση των υλικών ν συσκευασίας

Τα υλικά συσκευασίας μπορεί να είναι επικίνδυνα για τα παιδιά. Κρατάτε τα υλικά συσκευασίας μακριά από παιδιά ή πετάξτε τα αφού τα διαχωρίσετε ανάλογα με τις οδηγίες για απόβλητα. Μην τα πετάξετε μαζί με τα κοινά οικιακά απορρίμματα.

Η συσκευασία του ψυγείου σας έχει παραχθεί από ανακυκλώσιμα υλικά.

## Διάθεση του παλιού σας ψυγείου

Απορρίψτε το παλιό σας ψυγείο με τρόπο φιλικό προς το περιβάλλον.

- Σχετικά με τον τρόπο απόρριψης του ψυγείου σας μπορείτε να συμβουλευτείτε τον εξουσιοδοτημένο έμπορο που συνεργάζεστε ή τις δημοτικές σας αρχές.

Πριν πετάξετε το ψυγείο σας, κόψτε το καλώδιο ρεύματος, και, αν υπάρχουν κλειδαριές σε πόρτες, καταστήστε τις μη λειτουργικές, για την προστασία των παιδιών από οποιονδήποτε κίνδυνο.

## Τοποθέτηση και εγκατάσταση

⚠️ Αν η πόρτα εισόδου του χώρου όπου θα τοποθετηθεί το ψυγείο δεν είναι αρκετά πλατιά για να περάσει το ψυγείο, τότε καλέστε το εξουσιοδοτημένο σέρβις για να αφαιρέσει την πόρτα του ψυγείου σας και να το περάσει μέσα από την πόρτα με το πλάι.

1. Εγκαταστήστε το ψυγείο σε θέση που προσφέρει ευκολία στη χρήση.
2. Κρατήστε το ψυγείο σας μακριά από πηγές θερμότητας, μέρη με υγρασία και από απ' ευθείας ηλιακό φως.

3. Πρέπει να υπάρχει επαρκής κυκλοφορία αέρα γύρω από το ψυγείο σας για να επιτυγχάνεται αποδοτική λειτουργία.

Αν το ψυγείο πρέπει να τοποθετηθεί σε εσοχή στον τοίχο, θα πρέπει να υπάρχει ελάχιστη απόσταση 5 εκ. από το ταβάνι και 5 εκ. από τον τοίχο. Αν το πάτωμα είναι καλυμμένο με χαλί, το προϊόν σας θα πρέπει να ανυψωθεί κατά 2,5 εκ. από το δάπεδο.

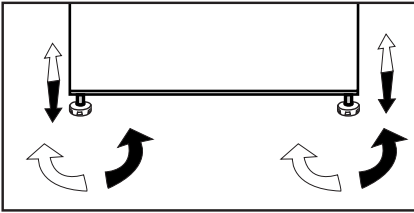
4. Τοποθετήστε το ψυγείο σας σε δάπεδο με επίπεδη επιφάνεια για να αποφευχθούν τα τραντάγματα.



## Ρύθμιση των ποδιών

Αν το ψυγείο σας δεν είναι καλά ισορροπημένο:

Μπορείτε να ισορροπήσετε το ψυγείο σας περιστρέφοντας τα μπροστινά πόδια του, όπως δείχνει η εικόνα. Η γωνία όπου βρίσκεται το πόδι χαμηλώνει όταν περιστρέψετε το πόδι στην κατεύθυνση του μαύρου βέλους και ανυψώνεται όταν το γυρίζετε στην αντίθετη κατεύθυνση. Η διαδικασία αυτή θα γίνει πιο εύκολη αν κάποιος σας βοηθήσει ανυψώνοντας ελαφρά το ψυγείο.



## Αντικατάσταση της λάμπας φωτισμού

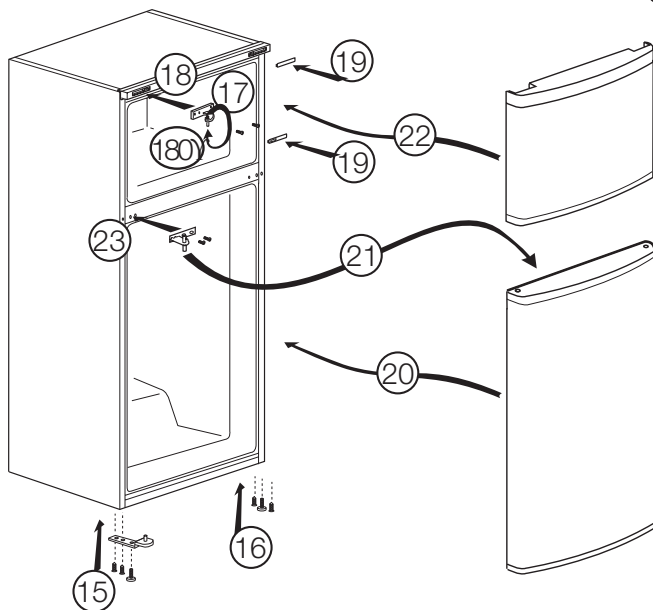
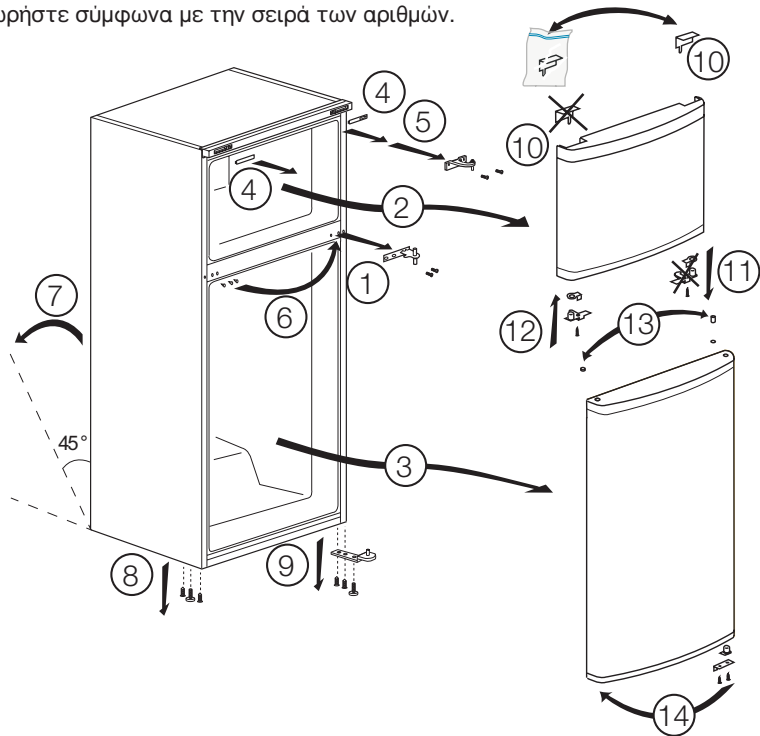
Για αλλαγή της λάμπας φωτισμού του ψυγείου σας, καλέστε το τοπικό σας εξουσιοδοτημένο σέρβις.

Ο λαμπτήρας (οι λαμπτήρες) που χρησιμοποιεί αυτή η συσκευή δεν είναι κατάλληλος(-οι) για φωτισμό των οικιακών χώρων. Ο σκοπός αυτού του λαμπτήρα είναι να βοηθά το χρήστη να βρίσκει με ασφάλεια και άνεση τα τρόφιμα στη συντήρηση/κατάψυξη.

Οι λάμπες που χρησιμοποιούνται σε αυτή τη συσκευή πρέπει να είναι ανθεκτικές σε ακραίες φυσικές συνθήκες, όπως θερμοκρασίες κάτω από -20 °C.

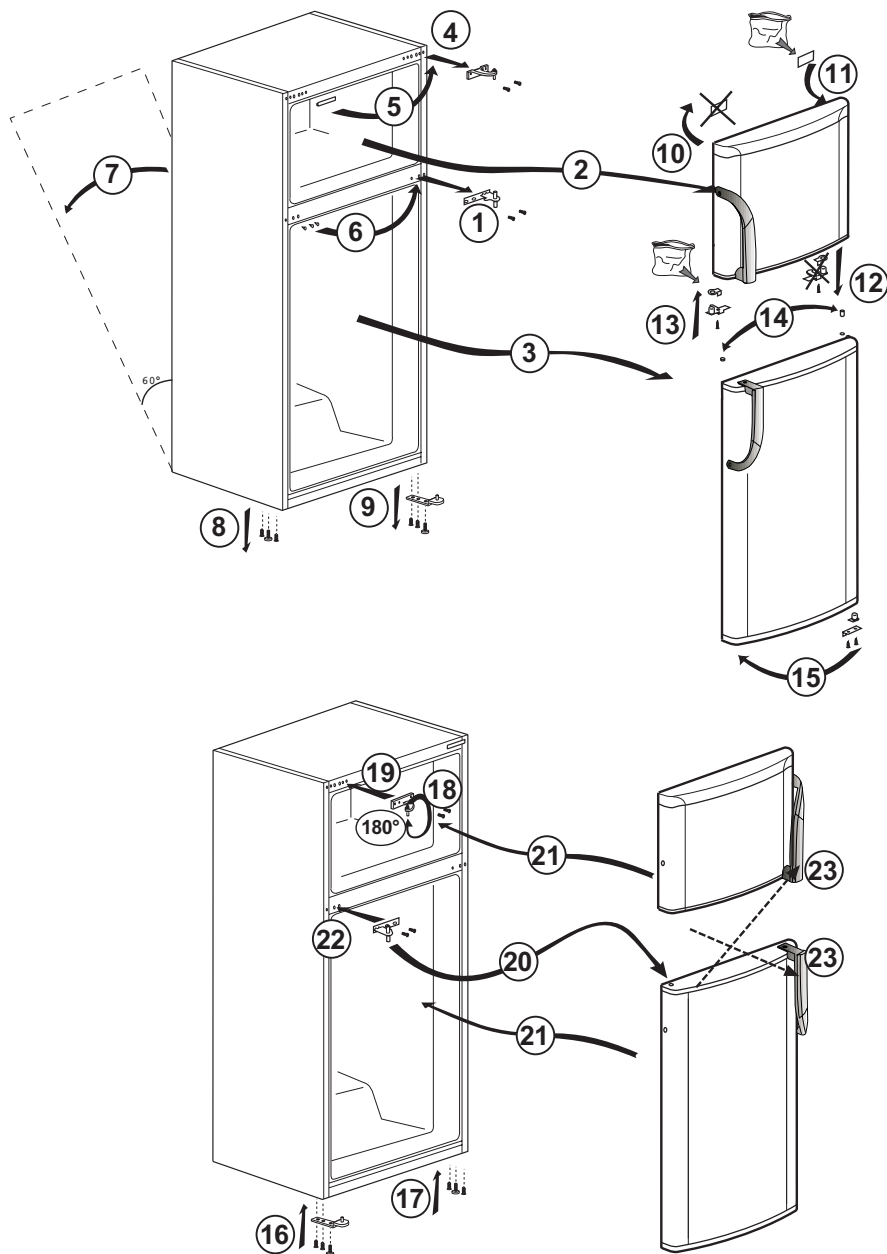
# Αντιστροφή της φοράς ανοίγματος των πορτών

Προχωρήστε σύμφωνα με την σειρά των αριθμών.



# Αντιστροφή της φοράς ανοίγματος των πορτών

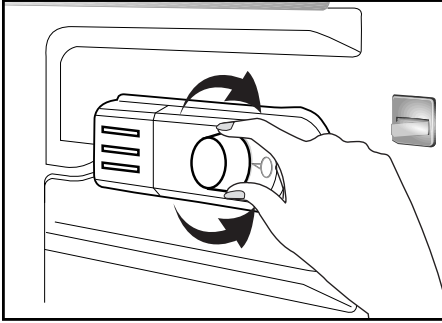
Προχωρήστε σύμφωνα με την σειρά των αριθμών.



## 4 Προετοιμασία

- i** Το ψυγείο σας θα πρέπει να εγκατασταθεί σε απόσταση τουλάχιστον 30 εκ. από πηγές θερμότητας όπως εστίες μαγειρέματος, φούρνους, σώματα κεντρικής θέρμανσης και σόμπες και τουλάχιστον 5 εκ. μακριά από ηλεκτρικούς φούρνους και δεν θα πρέπει να τοποθετείται σε μέρη όπου δέχεται απ' ευθείας ηλιακή ακτινοβολία.
- i** Η θερμοκρασία περιβάλλοντος του δωματίου που τοποθετείτε το ψυγείο σας θα πρέπει να είναι τουλάχιστον 10°C. Η λειτουργία του ψυγείου σας σε πιο κρύες συνθήκες από αυτές δεν συνιστάται από την άποψη της απόδοσής του.
- i** *Παρακαλούμε να φροντίζετε να διατηρείτε το εσωτερικό του ψυγείου σας σχολαστικά καθαρό.*
- i** *Αν πρέπει να εγκατασταθούν δύο ψυγεία το ένα δίπλα στο άλλο, θα πρέπει να υπάρχει μεταξύ τους απόσταση τουλάχιστον 2 εκ.*
- i** *Όταν θέσετε το ψυγείο σε λειτουργία για πρώτη φορά, παρακαλούμε τηρείτε τις ακόλουθες οδηγίες κατά τις αρχικές έξι ώρες.*
  - *Η πόρτα δεν θα πρέπει να ανοίγει συχνά.*
  - *Το ψυγείο θα πρέπει να λειτουργήσει κενό, χωρίς τρόφιμα στο εσωτερικό του.*
  - *Μην αποσυνδέσετε το ψυγείο σας από το ρεύμα. Αν συμβεί μια ανεξέλεγκτη διακοπή ρεύματος, δείτε τις προειδοποιήσεις στην ενότητα "Συνιστώμενες λύσεις για προβλήματα".*
- i** *Πρέπει να χρησιμοποιείτε πάντα τα καλάθια/συρτάρια που παρέχονται με το διαμέρισμα έντονης ψύξης, για χαμηλή κατανάλωση ενέργειας και καλύτερες συνθήκες φύλαξης των τροφίμων.*
- i** *Η επαφή τροφίμων με τον αισθητήρα θερμοκρασίας στο θάλαμο κατάψυξης μπορεί να αυξήσει την κατανάλωση ενέργειας της συσκευής. Επομένως πρέπει να αποφεύγετε κάθε επαφή τροφίμων με τον αισθητήρα (τους αισθητήρες).*
- i** *Η αρχική συσκευασία και τα αφρώδη υλικά θα πρέπει να φυλαχτούν για μελλοντικές μεταφορές ή μετακόμιση.*
- i** *Σε ορισμένα μοντέλα, ο πίνακας οργάνων απενεργοποιείται αυτόματα 5 λεπτά μετά το κλείσιμο της πόρτας. Θα ενεργοποιηθεί πάλι όταν ανοίξει η πόρτα ή όταν πατηθεί οποιοδήποτε πλήκτρο.*
- i** *Λόγω της μεταβολής της θερμοκρασίας, ως αποτέλεσμα του ανοίγματος/κλεισίματος της πόρτας του προϊόντος κατά τη διάρκεια της λειτουργίας, η συμπύκνωση στην πόρτα/ράφια και στα γυάλινα δοχεία είναι φυσιολογική.*

## 5 Χρήση του ψυγείου σας



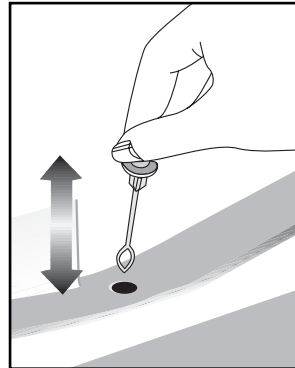
### Κουμπι ρύθμισης θερμοστάτη

Η εσωτερική θερμοκρασία του ψυγείου σας μεταβάλλεται για τους εξής λόγους:

- Εποχική διακύμανση θερμοκρασίας περιβάλλοντος,
- Συχνό άνοιγμα και παραμονή ανοικτής για μεγάλα διαστήματα της πόρτας,
- Τοποθέτηση στο ψυγείο τροφίμων χωρίς πρώτα να ψυχθούν στη θερμοκρασία περιβάλλοντος,
- Η θέση του ψυγείου στο δωμάτιο (π.χ. έκθεση σε ηλιακό φως).
- Μπορείτε με το θερμοστάτη να αντισταθμίσετε τη διακύμανση της εσωτερικής θερμοκρασίας εξαιτίας των πιο πάνω αιτιών. Οι αριθμοί περιμετρικά του κουμπιού του θερμοστάτη δείχνουν τους βαθμούς ψύξης.
- Αν η θερμοκρασία του περιβάλλοντος είναι υψηλότερη από 32°C, γυρίστε το κουμπι του θερμοστάτη στη θέση μέγιστης ψύξης.
- Αν η θερμοκρασία του περιβάλλοντος είναι χαμηλότερη από 25°C, γυρίστε το κουμπι του θερμοστάτη στη θέση ελάχιστης ψύξης.

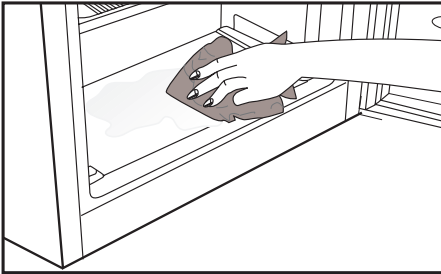
### Απόψυξη

- Ο χώρος συντήρησης εκτελεί πλήρως αυτόματη απόψυξη. Το νερό που παράγεται κατά την απόψυξη περνάει από την αυλάκωση συλλογής νερού και ρέει στον εξατμιστή μέσα από το σωλήνα αποστράγγισης. Στον εξατμιστή το νερό εξατμίζεται αυτόματα.
- Ο χώρος βαθιάς κατάψυξης δεν εκτελεί αυτόματη απόψυξη, ώστε να αποφευχθεί η αλλοίωση των κατεψυγμένων τροφίμων.
- Σε τακτά διαστήματα ελέγχετε αν είναι φραγμένος ο σωλήνας αποστράγγισης και αν είναι ανοιχτέ τον.



- Η πάχνη που δημιουργείται στο θάλαμο κατάψυξης πρέπει να αποψύχεται κάθε 6 μήνες. Συνιστάται να κάνετε απόψυξη όταν ο χώρος βαθιάς κατάψυξης δεν είναι πολύ γεμάτος ή είναι κενός.
- Για να το κάνετε, τυλίξτε τα κατεψυγμένα τρόφιμα με χαρτί και κρατήστε στο πιο κρύο μέρος που μπορείτε ή σε ένα άλλο ψυγείο αν υπάρχει διαθέσιμο.
- Σταματήστε το ψυγείο σας μέσω του κουμπιού ρύθμισης της θερμοκρασίας ή αποσυνδέστε το καλώδιο ρεύματος από την πρίζα. Για να επισπεύσετε την απόψυξη μπορείτε να τοποθετήσετε ένα δοχείο γεμάτο με ζεστό νερό στο θάλαμο κατάψυξης ή να αφήσετε την πόρτα του θαλάμου κατάψυξης ανοικτή.

- Αφαιρέστε το νερό που συγκεντρώνεται στο κάτω δοχείο του θαλάμου κατάψυξης με ένα απορροφητικό πανί ή σφουγγάρι.
- Στεγνώστε το θάλαμο κατάψυξης εντελώς και επαναφέρετε το κουμπί ρύθμισης της θερμοκρασίας στην προηγούμενη θέση του.
- Λειτουργήστε το ψυγείο σας για 2 ώρες χωρίς τρόφιμα και με τις πόρτες κλειστές πριν τοποθετήσετε πάλι τα τρόφιμα στο χώρο βαθιάς κατάψυξης.



## Πώς να φτιάχνετε παγάκια

Γεμίστε τη θήκη για παγάκια με νερό και τοποθετήστε τη στη θέση της. Ο πάγος σας θα είναι έτοιμος σε περίπου δύο ώρες. Μπορείτε να αφαιρέσετε εύκολα τα παγάκια σας στρίβοντας ελαφρά τη θήκη τους.

## Διακοπή της λειτουργίας της συσκευής σας

Αν ο θερμοστάτης της συσκευής σας διαθέτει ρύθμιση “0”:

- Μπορείτε να διακόψετε τη λειτουργία της συσκευής σας ρυθμίζοντας το κουμπί του θερμοστάτη στη θέση “0” (μηδέν). Η συσκευή σας δεν θα αρχίσει να λειτουργεί αν δεν επαναφέρετε το κουμπί θερμοστάτη στη θέση “1” ή μία από τις άλλες θέσεις.

Αν ο θερμοστάτης της συσκευής σας διαθέτει ρύθμιση “min”:

- Αποσυνδέστε τη συσκευή από την πρίζα όταν θέλετε να διακόψετε τη λειτουργία της.

## 6 Συντήρηση και καθαρισμός

- ⚠ Ποτέ μη χρησιμοποιήσετε βενζίνη, βενζόλιο ή παρόμοια υλικά για τον καθαρισμό.
- ⚠ Συνιστούμε να αποσυνδέετε τη συσκευή από την πρίζα πριν τον καθαρισμό.
- ❗ Ποτέ μη χρησιμοποιείτε για τον καθαρισμό οποιοδήποτε αιχμηρό όργανο που χαράζει, σαπούνι, οικιακά καθαριστικά, απορρυπαντικά και γυαλιστικά κεριού.
- ❗ Σε προϊόντα που δεν είναι No Frost, στο πίσω τοίχωμα του θαλάμου συντήρησης σχηματίζονται σταγόνες και πάχνη πάχους έως ενός δακτύλου. Μην καθαρίζετε και μην απλώνετε λάδι ή παρόμοια υλικά.
- ❗ Χρησιμοποιείτε μόνο ελαφρώς υγρά πανιά μικροϊνών για τον καθαρισμό της εξωτερικής επιφάνειας του προϊόντος. Οι σπόγγοι και άλλοι τύποι πανιών καθαρισμού μπορεί να χαράξουν την επιφάνεια.
- ❗ Για να καθαρίσετε το περίβλημα του ψυγείου σας, χρησιμοποιήστε χλιαρό νερό και κατόπιν σκουπίστε το για να στεγνώσει.
- ❗ Για να καθαρίσετε το εσωτερικό, χρησιμοποιήστε πανί που έχει υγρανθεί ελαφρά σε διάλυμα από μια κουταλιά του γλυκού μαγειρικής σόδας σε περίπου μισό λίτρο νερού. Κατόπιν σκουπίστε τις επιφάνειες για να στεγνώσουν.
- ⚠ Φροντίστε απαραίτητα να μην εισέλθει νερό στο περίβλημα της λάμπας και σε άλλα ηλεκτρικά εξαρτήματα.
- ⚠ Εάν το ψυγείο σας δεν πρόκειται να χρησιμοποιηθεί για μεγάλη χρονική περίοδο, αποσυνδέστε το καλώδιο ρεύματος από την πρίζα, αφαιρέστε όλα τα τρόφιμα, καθαρίστε το και αφήστε την πόρτα μισάνοιχτη.
- ❗ Ελέγχετε τακτικά τις στεγανοποιήσεις στις πόρτες για να βεβαιωθείτε ότι είναι καθαρές και απαλλαγμένες από σωματίδια τροφίμων.
- ❗ Για να αφαιρέσετε ένα ράφι πόρτας, αφαιρέστε όλα τα περιεχόμενα και κατόπιν απλά σπρώξτε το ράφι προς τα πάνω ώστε να βγει από τη βάση του.
- ❗ Ποτέ μη χρησιμοποιείτε ποτέ καθαριστικούς παράγοντες ή νερό που περιέχει χλώριο για να καθαρίσετε τις εξωτερικές επιφάνειες και τα επιχρωμασμένα εξαρτήματα του προϊόντος. Το χλώριο προκαλεί διάβρωση σε μεταλλικές επιφάνειες αυτού του είδους.
- ❗ Μη χρησιμοποιείτε εργαλεία που κόβουν και χαράζουν ή σαπούνι, οικιακά καθαριστικά, απορρυπαντικά βενζίνη, βενζόλιο, κεριό κλπ, διαφορετικά οι στάμπες στα πλαστικά εξαρτήματα θα σβήσουν και θα προκύψει παραμόρφωση. Για τον καθαρισμό χρησιμοποιήστε χλιαρό νερό και ένα μαλακό πανί και σκουπίστε για να στεγνώσει.

### Προστασία των πλαστικών επιφανειών

- ❗ Μην τοποθετείτε υγρά λάδια ή φαγητά μαγειρεμένα σε λάδι στο ψυγείο σας σε μη σφραγισμένα δοχεία, επειδή προξενούν βλάβες στις πλαστικές επιφάνειες του ψυγείου σας. Σε περίπτωση που χυθεί ή αλειφτεί λάδι στις πλαστικές επιφάνειες, αμέσως καθαρίστε και ξεπλύνετε το επηρεαζόμενο μέρος της επιφάνειας με χλιαρό νερό.

## 7 Συνιστώμενες λύσεις για προβλήματα

Παρακαλούμε συμβουλευτείτε τη λίστα πριν καλέσετε το σέρβις. Έτσι μπορείτε να εξοικονομήσετε χρόνο και χρήματα. Η λίστα αυτή περιλαμβάνει συχνά παράπονα που δεν είναι αποτέλεσμα ελαττωμάτων της κατασκευής ή των χρησιμοποιούμενων υλικών. Ορισμένες από τις δυνατότητες που περιγράφονται εδώ ίσως να μην υπάρχουν στη συσκευή σας.

|   |
|---|
| Το ψυγείο δεν λειτουργεί.   |
| <ul style="list-style-type: none"><li>• Έχει συνδεθεί το ψυγείο σωστά στο ρεύμα; Συνδέστε το φις στην πρίζα στον τοίχο.</li><li>• Μήπως έχει καεί η ασφάλεια της πρίζας στην οποία έχει συνδεθεί το ψυγείο ή η γενική ασφάλεια; Ελέγξτε την ασφάλεια.</li></ul>   |
| Συμπύκνωση στα πλευρικά τοιχώματα του χώρου συντήρησης. (MULTI ZONE, COOL CONTROL και FLEXI ZONE)   |
| <ul style="list-style-type: none"><li>• Πολύ χαμηλές θερμοκρασίες περιβάλλοντος. Συχνό άνοιγμα και κλείσιμο της πόρτας. Πολύ υψηλή υγρασία περιβάλλοντος. Αποθήκευση τροφίμων που περιέχουν υγρά σε ανοικτά δοχεία. Η πόρτα έχει ξεχαστεί μισάνοιχτη.</li><li>• Ρύθμιση του θερμοστάτη σε χαμηλότερη θερμοκρασία.</li><li>• Μείωση του χρόνου που μένει ανοικτή η πόρτα ή λιγότερη συχνή χρήση της.</li><li>• Κάλυψη με κατάλληλο υλικό του φαγητού που φυλάσσεται σε ανοικτά δοχεία.</li><li>• Σκουπίστε τη συμπυκνωμένη υγρασία με στεγνό πανί και ελέγξτε αν επιμένει.</li></ul>   |
| Ο συμπιεστής δεν λειτουργεί   |
| <ul style="list-style-type: none"><li>• Το προστατευτικό θερμικό του συμπιεστή θα ενεργοποιηθεί σε περίπτωση ξαφνικών διακοπών ρεύματος ή αν η συσκευή αποσυνδεθεί και συνδεθεί γρήγορα στο ρεύμα, όταν η πίεση του ψυκτικού μέσου στο σύστημα ψύξης του ψυγείου δεν έχει εξισορροπηθεί ακόμα.</li><li>• Η λειτουργία του ψυγείου σας θα αρχίσει πάλι μετά από 6 λεπτά. Παρακαλούμε καλέστε το σέρβις αν το ψυγείο σας δεν ξεκινήσει πάλι μετά το τέλος αυτού του χρονικού διαστήματος.</li><li>• Το ψυγείο βρίσκεται στον κύκλο απόψυξης. Αυτό είναι κανονικό για ψυγείο που δεν διαθέτει απόλυτα αυτόματα απόψυξη. Ο κύκλος απόψυξης λαμβάνει χώρα περιοδικά.</li><li>• Το ψυγείο δεν έχει συνδεθεί στην πρίζα. Βεβαιωθείτε ότι το φις έχει τοποθετηθεί σωστά στην πρίζα.</li><li>• Έχουν γίνει σωστά οι ρυθμίσεις θερμοκρασίας; Υπάρχει διακοπή ρεύματος. Καλέστε την εταιρία σας παροχής ηλεκτρισμού.</li></ul> |
| Το ψυγείο ενεργοποιείται συχνά ή για πολλή ώρα.   |



- Το νέο σας ψυγείο μπορεί να είναι πλατύτερο από το παλαιό. Αυτό είναι πολύ φυσιολογικό. Τα μεγάλα ψυγεία λειτουργούν για μεγαλύτερο χρονικό διάστημα.
- Η θερμοκρασία του περιβάλλοντος χώρου είναι πολύ υψηλή. Αυτό είναι πολύ φυσιολογικό.
- Το ψυγείο ίσως συνδέθηκε στην πρίζα πρόσφατα ή μπορεί να έχει φορτωθεί με πολλά τρόφιμα. Η πλήρης ψύξη του ψυγείου σας στη θερμοκρασία λειτουργίας μπορεί να διαρκέσει δύο ώρες επιπλέον.
- Μπορεί πρόσφατα να τοποθετήθηκαν στο ψυγείο μεγάλες ποσότητες ζεστού φαγητού. Το πολύ ζεστό φαγητό προκαλεί λειτουργία του ψυγείου για περισσότερη ώρα έως ότου φθάσει την επιθυμητή θερμοκρασία φύλαξης των τροφίμων.
- Ίσως να ανοίγονταν συχνά οι πόρτες ή να παρέμειναν μισάνοιχτες για μεγάλο χρονικό διάστημα. Ο θερμός αέρας που έχει εισέλθει στο ψυγείο προκαλεί τη λειτουργία του ψυγείου για μεγαλύτερες χρονικές περιόδους. Ανοίγετε τις πόρτες λιγότερο συχνά.
- Η πόρτα του χώρου κατάψυξης ή συντήρησης μπορεί να έχει ξεχαστεί μισάνοιχτη. Ελέγξτε αν οι πόρτες έχουν κλείσει καλά.
- Το ψυγείο έχει ρυθμιστεί σε πολύ χαμηλή θερμοκρασία. Ρυθμίστε τη θερμοκρασία του ψυγείου σε υψηλότερο επίπεδο και περιμένετε έως ότου επιτευχθεί αυτή η θερμοκρασία.
- Η στεγανοποίηση πόρτας της συντήρησης ή κατάψυξης μπορεί να είναι λερωμένη, φθαρμένη, σπασμένη ή δεν εφαρμόζει καλά. Καθαρίστε ή αντικαταστήστε τη στεγανοποίηση. Αν υπάρχει ζημιά/ σπάσιμο στη στεγανοποίηση της πόρτας, μπορεί να προκληθεί λειτουργία του ψυγείου για μεγαλύτερες περιόδους για να διατηρείται η τρέχουσα θερμοκρασία.

Η θερμοκρασία της κατάψυξης είναι πολύ χαμηλή ενώ η θερμοκρασία της συντήρησης είναι επαρκής.

- Η θερμοκρασία του χώρου κατάψυξης έχει ρυθμιστεί σε πολύ χαμηλό επίπεδο. Ρυθμίστε τη θερμοκρασία του χώρου κατάψυξης σε υψηλότερο επίπεδο και ελέγξτε.

Η θερμοκρασία της συντήρησης είναι πολύ χαμηλή ενώ η θερμοκρασία της κατάψυξης είναι επαρκής.

- Η θερμοκρασία του χώρου συντήρησης έχει ρυθμιστεί σε πολύ χαμηλό επίπεδο. Ρυθμίστε τη θερμοκρασία του χώρου συντήρησης σε υψηλότερο επίπεδο και ελέγξτε.

Τα τρόφιμα στα συρτάρια της συντήρησης παγώνουν.

- Η θερμοκρασία του χώρου συντήρησης έχει ρυθμιστεί σε πολύ χαμηλό επίπεδο. Ρυθμίστε τη θερμοκρασία του χώρου συντήρησης σε υψηλότερο επίπεδο και ελέγξτε.

Η θερμοκρασία στη συντήρηση ή την κατάψυξη είναι πολύ υψηλή.

- Η θερμοκρασία της συντήρησης έχει ρυθμιστεί σε πολύ υψηλό επίπεδο. Η ρύθμιση της συντήρησης έχει επίδραση στη θερμοκρασία της κατάψυξης. Αλλάξτε τη θερμοκρασία της συντήρησης ή κατάψυξης έως ότου η θερμοκρασία της συντήρησης ή κατάψυξης φθάσει σε επαρκές επίπεδο.
- Η πόρτα μπορεί να έχει μείνει μισάνοιχτη. Κλείστε καλά την πόρτα.
- Μπορεί πρόσφατα να τοποθετήθηκαν στο ψυγείο μεγάλες ποσότητες ζεστού φαγητού. Περιμένετε έως ότου η συντήρηση ή η κατάψυξη φθάσει στην επιθυμητή θερμοκρασία.
- Το ψυγείο μπορεί να έχει συνδεθεί στην πρίζα πρόσφατα. Η πλήρης ψύξη του ψυγείου απαιτεί χρόνο λόγω του μεγέθους του.

Το ψυγείο παράγει θόρυβο παρόμοιο με το τικ τακ του ρολογιού.

- Ο θόρυβος προέρχεται από την ηλεκτρομαγνητική βαλβίδα του ψυγείου. Ο σκοπός της ηλεκτρομαγνητικής βαλβίδας είναι η εξασφάλιση της διέλευσης ψυκτικού μέσου μέσα από το χώρο που μπορεί να ρυθμιστεί σε θερμοκρασίες ψύξης ή κατάψυξης, και η εκτέλεση των λειτουργιών ψύξης. Αυτό είναι φυσιολογικό και δεν αποτελεί ένδειξη δυσλειτουργίας.

Ο θόρυβος λειτουργίας αυξάνεται όταν λειτουργεί το ψυγείο.

- Τα χαρακτηριστικά λειτουργίας του ψυγείου μπορεί να διαφέρουν ανάλογα με τις μεταβολές της θερμοκρασίας περιβάλλοντος. Το φαινόμενο είναι φυσιολογικό και δεν αποτελεί ένδειξη δυσλειτουργίας.

Κραδασμοί ή θόρυβος.

- Το δάπεδο δεν είναι ομαλό ή δεν είναι ανθεκτικό. Το ψυγείο ταλαντεύεται όταν μετακινηθεί ελαφρά. Βεβαιωθείτε ότι το δάπεδο είναι οριζόντιο, ανθεκτικό και ικανό να φέρει το βάρος του ψυγείου.
- Ο θόρυβος μπορεί να προκαλείται από αντικείμενα που έχουν τοποθετηθεί πάνω στο ψυγείο. Αυτά τα είδη πρέπει να απομακρυνθούν από τη συσκευή.

Υπάρχουν θόρυβοι σαν ροής ή ψεκασμού υγρού.

- Η ροή υγρών και αερίων είναι σύμφωνη με την αρχή λειτουργίας του ψυγείου σας. Το φαινόμενο είναι φυσιολογικό και δεν αποτελεί ένδειξη δυσλειτουργίας.

Υπάρχει θόρυβος σαν ανέμου που φυσά.

- Για την αποτελεσματική ψύξη του ψυγείου χρησιμοποιούνται συσκευές διακίνησης αέρα (ανεμιστήρες) . Το φαινόμενο είναι φυσιολογικό και δεν αποτελεί ένδειξη δυσλειτουργίας.

Συμπύκνωση στα εσωτερικά τοιχώματα του ψυγείου.

- Ο ζεστός και υγρός καιρός αυξάνει το σχηματισμό πάγου και συμπύκνωσης. Το φαινόμενο είναι φυσιολογικό και δεν αποτελεί ένδειξη δυσλειτουργίας.
- Η πόρτες είναι μισάνοιχτες. Βεβαιωθείτε ότι οι πόρτες είναι τελείως κλειστές.
- Ίσως να ανοίγονταν συχνά οι πόρτες ή να παρέμειναν ανοικτές για μεγάλο χρονικό διάστημα. Ανοίγετε την πόρτα λιγότερο συχνά.

Εμφανίζεται υγρασία στο εξωτερικό του ψυγείου ή ανάμεσα στις πόρτες.

- Ο καιρός μπορεί να είναι υγρός. Αυτό είναι πολύ φυσιολογικό σε περίπτωση υγρού καιρού. Όταν η υγρασία είναι μικρότερη, η συμπύκνωση θα πάψει να εμφανίζεται.

#### Κακοσμία στο εσωτερικό του ψυγείου.

- Το εσωτερικό του ψυγείου πρέπει να καθαριστεί. Καθαρίστε το εσωτερικό του ψυγείου, με ένα σφουγγάρι, χλιαρό νερό ή διάλυμα μαγειρικής σόδας σε νερό.
- Ίσως η οσμή να προκαλείται από ορισμένα δοχεία ή υλικά συσκευασίας. Χρησιμοποιήστε διαφορετικό δοχείο ή διαφορετική μάρκα υλικού συσκευασίας.

#### Η (Οι) πόρτα(-ες) δεν κλείνει(-ουν).

- Συσκευασίες τροφίμων ίσως να εμποδίζουν το κλείσιμο της πόρτας. Μετατοπίστε τις συσκευασίες που εμποδίζουν την πόρτα.
- Το ψυγείο πιθανόν να μην είναι εντελώς κατακόρυφο στο δάπεδο και μπορεί να ταλαντεύεται όταν σπρωχτεί ελαφρά. Ρυθμίστε τις βίδες ανύψωσης.
- Το δάπεδο δεν είναι επίπεδο ή δεν είναι ανθεκτικό. Βεβαιωθείτε ότι το δάπεδο είναι οριζόντιο και ικανό να φέρει το βάρος του ψυγείου.

#### Τα συρτάρια λαχανικών έχουν κολλήσει.

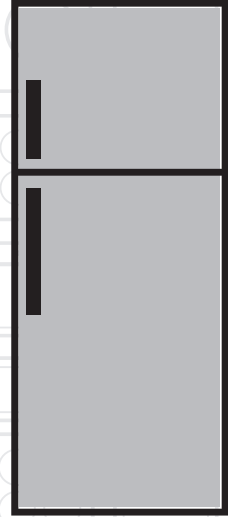
- Τα τρόφιμα μπορεί να αγγίζουν την οροφή του συρταριού. Ανακαταλείμμε τα τρόφιμα στο συρτάρι.

#### Αν Η Επιφάνεια Του Προϊόντος Είναι Θερμη.

- Ενδέχεται να παρατηρηθούν υψηλές θερμοκρασίες ανάμεσα στις δύο πόρτες, στα πλευρικά πλαίσια και στην πίσω σχάρα κατά τη λειτουργία του προϊόντος. Αυτό είναι φυσιολογικό και το προϊόν δεν χρειάζεται συντήρηση! Προσοχή όταν αγγίζετε αυτές τις επιφάνειες.

# الثلاجة

## دليل المستخدم



AR |

**beko**

يرجى قراءة هذا الدليل أولاً!

عميلنا العزيز،

عميلنا العزيز نأمل أن هذا المنتج والذي تم إنتاجه في مصانع حديثة وفحصه بإجراءات صارمة لرقابة الجودة سيقدم لكم خدمة فعالة.

ولذلك فنحن نوصي بقراءة هذا الدليل بالكامل بعناية قبل استخدامه وحفظه للرجوع إليه في المستقبل.

### هذا الدليل

- سيساعدك على استخدام الجهاز بسرعة وبطريقة مأمونة.
- يرجى قراءة هذا الدليل قبل تركيب المنتج وتشغيله.
- يرجى اتباع الإرشادات، خاصةً تلك المتعلقة بالسلامة.
- احتفظ بهذا الدليل في مكان يسهل الوصول إليه عند الحاجة إليه في المستقبل.
- وبالإضافة إلى ذلك، يرجى قراءة المستندات الأخرى المرفقة مع المنتج.
- يرجى ملاحظة أن هذا الدليل قد يكون صالحاً لأنواع أخرى أيضاً.

### الرموز ومعانيها.

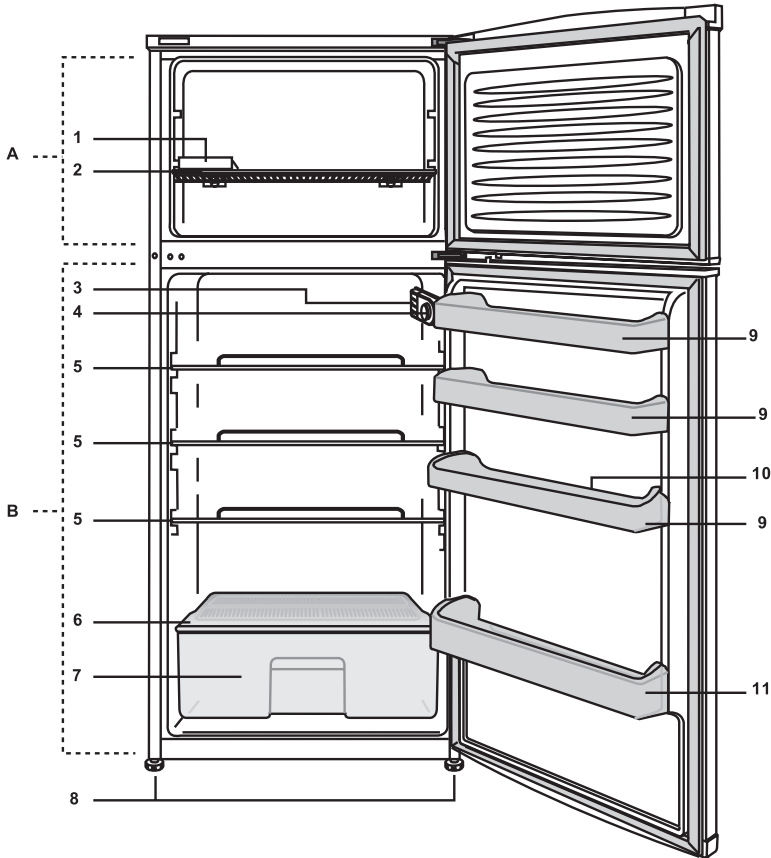
يحتوي دليل التعليمات هذا على الرموز التالية.

❗ معلومات مهمة أو تلميحات استخدام مفيدة

⚠ تحذير ضد الأحوال الخطيرة على حياة البشر والممتلكات.

⚡ تحذير ضد الفولتية الكهربائية.

|                             |           |   |           |
|-----------------------------|-----------|---|-----------|
| الإعداد                     | 4         | 1 ثلاجتك  | 3         |
|                             | <b>14</b> |   |           |
| استخدام الثلاجة             | 5         | 2 تحذيرات السلامة المهمة                              | <b>4</b>  |
|                             | 15        |   |           |
| زر ضبط الترومستات           | 15        | الغرض المخصص  | 4         |
| إزالة الثلج                 | 15        | السلامة العامة  | 5         |
| عمل مكعبات الثلج            | 16        | تأمين سلامة الأطفال                                   | 8         |
|                             |           | متوافق مع تشريعات WEEE في التخلص من المنتجات التالفة. | 8         |
| <b>الصيانة والتنظيف</b>     | <b>6</b>  | التوافق مع توجيهات RoHS:                              | 8         |
|                             | <b>17</b> | بيانات التغليف  | 8         |
| حماية الأسطح البلاستيكية    | 17        | تحذير الحرارة والتبريد والتهوية (HC)                  | 8         |
|                             |           | أشياء يجب عملها لتوفير الطاقة                         | 9         |
| <b>حلول مقترحة للمشكلات</b> | <b>7</b>  |   |           |
|                             | <b>18</b> | <b>3 التركيب</b>                                      | <b>10</b> |
|                             |           | نقاط يجب الإهتمام بها عند الثلاجة.                    | 10        |
|                             |           | قبل بدأ تشغيل الثلاجة،                                | 10        |
|                             |           | التوصيل الكهربائي                                     | 10        |
|                             |           | التخلص من عبوة المنتج                                 | 10        |
|                             |           | التخلص من الثلاجة القديمة                             | 10        |
|                             |           | الوضع والتركيب  | 11        |
|                             |           | ضبط أقدم الثلاجة                                      | 11        |
|                             |           | تغيير مصباح الإضاءة                                   | 11        |
|                             |           | عكس الأبواب   | 12        |
|                             |           | عكس الأبواب   | 13        |



- |    |                          |     |                          |
|----|--------------------------|-----|--------------------------|
| -A | صندوق الفريزر            | 6-  | غطاء الدرج               |
| -B | صندوق التلاجة            | 7-  | درج السلطة               |
| 1- | درج مكعبات الثلج         | 8-  | أقدام أمامية قابلة للضبط |
| 2- | رف الفريزر               | 9-  | أرفف الباب               |
| 3- | المصباح الداخلي          | 10- | درج البيض                |
| 4- | مقب الترومستات           | 11- | رف الزجاجات              |
| 5- | أرفف صندوق صندوق التلاجة |     |                          |

❗ الأشكال الواردة في دليل التعليمات هذا هي رسومات بيانية وقد لا تتطابق تمامًا مع المنتج. إذا لم تكن هذه القطع واردة في هذا الجهاز الذي اشتريته، فإنها مناسبة لأنواع أخرى.

يرجى فحص المعلومات التالية. ربما يؤدي الإخفاق في اتباع هذه المعلومات إلى إصابات أو تلف للممتلكات. ومن ثم، قد تصبح كل التزامات الفعالية والضمان غير سارية.

- سيتم توفير قطع غيار أصلية لمدة 10 أعوامًا، بعد تاريخ الشراء المنتج.
- الغرض المخصص**

|   |   |
|---|---|
| تحذير: حافظ على فتحات التهوية في تجويف الجهاز أو في البنية المدمجة خالية من الانسداد.                           | ⚠ |
| تحذير: لا تستخدم الأجهزة الميكانيكية أو الوسائل الأخرى لتسريع عملية إزالة الصقيع، غير تلك التي يوصي بها المصنع. | ⚠ |
| تحذير: لا تتلف الدائرة الكهربائية لمادة التبريد.  | ⚠ |
| تحذير: لا تستخدم الأجهزة الكهربائية في حجرة المؤن في الجهاز إلا إذا كانت من النوع الذي يوصي بها المصنع.         | ⚠ |
| تحذير: لا تقم بتخزين المواد المتفجرة مثل علب الهباء الجوي مع الوقود قابل للاشتعال في هذا الجهاز.                | ⚠ |

هذا الجهاز مصمم للاستخدام المنزلي والتطبيقات المماثلة مثل - مناطق كادر الطبخ في المتاجر والمكاتب وبيئات العمل الأخرى؛



- المزارع و النزلاء في الفنادق وفنادق الطرق والبيئات السكنية المماثلة؛ أماكن المبيت والإفطار؛
- أماكن المبيت والإفطار؛
- عمليات التموين والتطبيقات المماثلة في غير محلات التجزئة.

### السلامة العامة

- إذا أردت التخلص من الجهاز، فيوصى باستشارة مركز الصيانة المعتمد لمعرفة المعلومات المطلوبة والهيئات المعتمدة.
- استشر مركز الصيانة المعتمد حول كل الاستفسارات والمشكلات المتعلقة بالثلاجة. لا تتدخل ولا تدع أحدًا يتدخل في صيانة الجهاز دون إخبار مراكز الصيانة المعتمدة.
- بالنسبة للمنتجات المزودة بمقصورة فريزر، لا تأكل بسكويت الآيس كريم ومكعبات الثلج مباشرة بعد إخراجها من صندوق الفريزر. (فقد يسبب هذا لسعة صقيع داخل فمك.)
- بالنسبة للمنتجات المزودة بمقصورة فريزر، لا تضع المشروبات السائلة المعلبة أو الموضوع في زجاجات في صندوق الفريزر. وإلا، فقد تنفجر.
- لا تلمس الطعام المجمد باليد، فقد يلتصق بيدك.
- افصل قلبس التيار الكهربائي قبل تنظيف الثلاجة أو إزالة الثلج.
- لا يجب استخدام البخار أو مواد التنظيف بالبخار أبدًا في

تنظيف أو عمليات إزالة الثلج من الثلاجة. ففي مثل هذه الحالة، قد يتفاعل البخار مع القطع الكهربائية ويؤدي إلى قطع التيار الكهربائي أو وقوع صدمة كهربائية.

- لا تستخدم مطلقاً قطع الثلاجة، مثل الباب كوسيلة دعم أو للوقوف عليه.
- لا تستخدم أي أجهزة كهربائية داخل الثلاجة.
- لا تتلف الأجزاء حيث يتم تدوير الهواء البارد بأدوات حفر أو قطع. فقد ينفجر المبرد عند ثقب قنوات الغاز أو المبخر أو وصلات الأنابيب أو طلاءات السطح، وقد يتسبب ذلك في حدوث اعتلال للجلد وإصابات للعين.
- لا تغط فتحات تهوية الثلاجة أو تسدها بأي مواد.
- يجب إجراء الإصلاحات بواسطة شخص مؤهل فقط. فعمليات الإصلاح التي يقوم بها أشخاص غير مؤهلين قد تمثل خطورة على المستخدم.
- في حالة وقوع أي عطل أو أثناء أي عملية صيانة أو أعمال إصلاح، أفصل الثلاجة عن مصدر التيار الكهربائي الرئيسي إما بإغلاق المنصهر المعني أو بنزع قابس التيار الكهربائي الخاص بالجهاز.
- لا تجذب الكابل - بل اجذب من المقبس.
- تحقق من أن المشروبات

الكحولية مخزنة بشكل آمن، محكمة الإغلاق و في وضع رأسي.

• يجب عدم الاحتفاظ في الثلجة بالمواد القابلة للاشتعال أو المنتجات التي تحتوي على غازات قابلة للاشتعال (مثل الإسبراي) وكذلك المواد القابلة للانفجار.

• يجب عدم استخدام أدوات ميكانيكية أو أية وسائل أخرى للتسريع من عملية إزالة التجميد، بخلاف الأدوات التي توصي بها الجهة المصنعة.

• هذا الجهاز غير مُعد للاستخدام بواسطة الأفراد (بما في ذلك الأطفال) ذوي القدرات الجسدية والحسية والذهنية المحدودة، أو الأفراد الذين يفتقدون للخبرة والمعرفة ما لم يتم الإشراف عليهم أو إعطائهم تعليمات استخدام الجهاز بواسطة شخص مسئول عن سلامتهم أو الشخص الذي سيقوم بإعطائهم التعليمات الخاصة باستخدام المنتج.

• لا تقم بتشغيل الثلجة وهي تالفة. استشر مركز الصيانة إذا لديك أي شك.

• يمكن ضمان السلامة الكهربائية للثلجة فقط إذا كان نظام التوصيل الأرضي في منزلك يتوافق مع المعايير.

• إن تعريض الجهاز للأمطار و الثلج و الشمس و الرياح يمثل خطورة فيما يتعلق بالسلامة الكهربائية.

• اتصل بفني خدمة مؤهل

في حالة وجود تلف بكابل الطاقة لتجنب المخاطر.

• لا تقم بتوصيل الثلجة بمنفذ الحائط أبداً أثناء عملية

التركيب. وإلا، فهناك خطر أن تلقى مصرعك أو تلحق بك إصابة خطيرة.

• تم تصميم هذه الثلجة فقط لحفظ الطعام. يجب ألا تستخدم لأية أغراض أخرى.

• يوجد ملصق التصنيف الذي يحتوي على المواصفات الفنية للمنتج في الجزء الأيسر الداخلي للثلجة.

• لا تصل الثلجة بأي نظم إلكترونية لتوفير الطاقة فقد يتألف المنتج.

• إذا كانت الثلجة بها لون أزرق، فلا تنظر إلى اللون الأزرق من خلال أجهزة بصرية.

• إذا كان هناك ضوء أزرق على الثلجة، لا تنظر إليه بالعين المجردة أو بالأدوات البصرية لفترة طويلة.

• ينبغي تسليم دليل التشغيل هذا إلى المالك الجديد للثلجة عند بيعها للآخرين.

• تجنب تلف كابل الطاقة أثناء نقل الثلجة. قد يتسبب الكابل المثني في نشوب حريق. لا تضع أي أشياء ثقيلة على كابل الطاقة.

• لا تقم بلمس القابس بأيدي مبتلة عند توصيل قابس الثلجة.

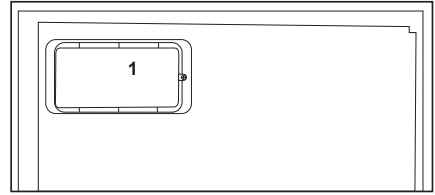
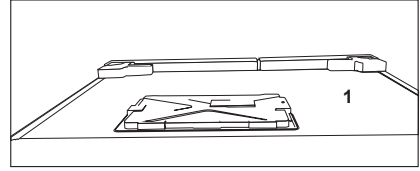
- الثلجة إذا لم يتم تثبيتها بإحكام على الأرض. يمكن للأقدام القابلة للضبط المثبتة بإحكام على الأرض أن تثبت الثلجة في مكانها ولا تتحرك.
- عند حمل الثلجة، لا تمسكها من مقبض الباب. وإلا فيكسر.
- يجب أن يكون ضغط مدخل الماء البارد 90psi كحد أقصى (6.2 بار). إذا تجاوز ضغط الماء 80 psi (5.5 بار)، استخدم صمام حد الضغط في نظامك الرئيسي. إذا كنت لا تعلم كيف تفحص ضغط الماء الخاص بك، اطلب المساعدة من سمكري متخصص.
- إذا ظهر خطر تأثير الطرق المائي أثناء التركيب، استخدم معدات منع الطرق المائي في التركيب دائماً. استشر سمكري متخصص إن لم تكن متأكداً من عدم وجود تأثير للطرق المائي في التركيب.
- لا تركبه على مدخل الماء الساخن. يجب أخذ الحيلة من خطر تجمد الخرطوم. يجب أن تكون درجة حرارة الماء 33 ف (0.6 م) كحد أدنى و100 ف (38 م) كحد أقصى.
- لا تستخدم الجهاز إذا كان القسم الموجود على سطح الجهاز أو على ظهره الذي يحوي ألواح إلكترونية مطبوعة في الداخل مفتوحاً (غطاء)
- وح الدائرة الإلكترونية

- تصل الثلجة إذا كان منفذ التيار الكهربائي غير محكم.
- ينبغي عدم نثر الماء على الأجزاء الداخلية أو الخارجية للثلجة لدواعي السلامة.
- لا ترش مواد قابلة للاشتعال مثل غاز البروبين بالقرب من الثلجة بسبب مخاطر نشوب النيران والانفجار.
- لا تضع أشياء مملوئة بالماء أعلى الثلجة، ففي حالة إنسكابها، فقد تؤدي إلى صدمة كهربائية أو نشوب حريق.
- لا تزيد من حمولة الثلجة بالأطعمة. إذا كانت الثلجة بها حمل زائد، فقد يسقط الطعام ويصيبك ويتلف الثلجة عند فتح الباب.
- لا تضع أشياء ثقيلة أعلى الثلجة حيث قد تقع عند فتح باب الثلجة أو غلقه.
- ينبغي عدم حفظ المنتجات التي تحتاج إلى تحكم دقيق في درجات الحرارة (الأمصال أو الأدوية ذات الحساسية للحرارة أو المواد العلمية أو ما شابه) في الثلجة.
- إذا لن يتم استخدام الثلجة لفترة طويلة، فيجب فصلها عن التيار الكهربائي. قد تتسبب أي مشكلة في عزل الكابل في نشوب حريق.
- من الممكن أن تتحرك

## المطبوعة (1).

### التوافق مع توجيهات RoHS:

يتوافق المنتج الذي قيمت بشرأؤه مع توجيهات RoHS للاتحاد الأوروبي (EU/2011/65). لا يحتوي على مواد ضارة أو محظورة مشار إليها في التوجيهات.



### بيانات التغليف

تم تصنيع مواد التغليف الخاصة بهذا المنتج من مواد قابلة لإعادة التصنيع وفقاً للوائح البيئية المحلية الخاصة بنا. لا تتخلص من مواد التغليف مع النفايات المنزلية أو النفايات الأخرى. بل تخلص منها في نقاط تجميع مواد التغليف المعينة من قبل السلطات المحلية.

لا تنسى...

يجب عدم التخلص من أية مواد قابلة لإعادة التدوير حفاظاً على الطبيعة وثروة الموارد القومية.

إذا كانت تريد أن تشارك في إعادة تقييم مواد التعبئة، يمكنك استشارة منظمات البيئة أو المجالس البلدية التي بجوارك.

### تحذير الحرارة والتبريد والتهوية (HC)

إذا كان المنتج مزوداً بنظام تبريد يحتوي على

**R600a**

هذا الغاز قابل للاشتعال. ولذا، يجب توخي الحذر حتى لا يتم إتلاف نظام التبريد والأنابيب أثناء الاستخدام والنقل. في حالة التلف، لا تتخلص من المنتج بإلقائه في النيران، واحتفظ به بعيداً عن مصادر النيران المحتملة والتي يمكن أن تتسبب في نشوب النيران بالمنتج واحرص على تهوية الحجره التي تحتفظ بالمنتج فيها.

إذا كان المنتج مزوداً بنظام تبريد يحتوي على

**R134a**

نوع الغاز المستخدم في هذا المنتج مذكور على ملصق النوع الموجودة على الجانب الأيسر الداخلي للثلاجة.

لا تتخلص من المنتج مطلقاً بإلقائه في النيران.

### تأمين سلامة الأطفال

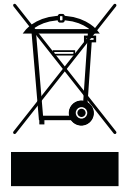
- إذا كان الباب مزوداً بقلع، فينبغي الاحتفاظ بالمفتاح بعيداً عن متناول الأطفال.
- يجب رقابة الأطفال حتى لا يعثروا

بلمنتج

### متوافق مع تشريعات WEEE في التخلص من المنتجات التالفة.

هذا الجهاز لا يحتوي على مواد مؤذية أو محرمة من تلك المشار إليها في "تشريعات الرقابة على نفايات الأجهزة الكهربائية والإلكترونية" المصدرة من وزارة البيئة وتخطيط المدن التركبية. متوافق مع تشريعات WEEE.

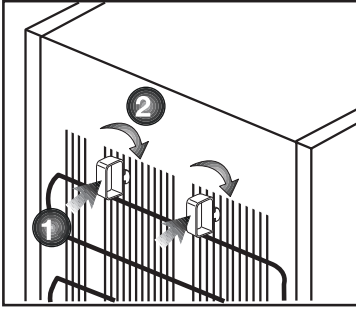
تم تصنيع هذا الجهاز بأجزاء ومواد عالية الجودة يمكن إعادة استخدامها وهي مناسبة لإعادة التدوير. وعلى ذلك، لا تتخلص من الجهاز مع النفايات المنزلية العادية في نهاية فترة حياته. عليك أخذه إلى نقطة التجميع لإعادة تدوير المعدات



الكهربائية والإلكترونية. يرجى التشاور مع السلطات المحلية لمعرفة أقرب نقطة تجميع. ساعد في حماية البيئة والموارد الطبيعية عبر إعادة تدوير المنتجات المستخدمة. لسلامة الأطفال، اقطع كابل الطاقة واكسر آلية القفل للباب، إن وجدت، حتى لا يمكن استخدامها قبل التخلص من الجهاز.

## أشياء يجب عملها لتوفير الطاقة

- لا تترك أبواب الثلاجة مفتوحة لفترة طويلة.
- لا تضع الأطعمة أو الخضروات الساخنة في الثلاجة.
- لا تزيد حمل الثلاجة بحيث لا تمنع دورة الهواء داخلها.
- لا تترك الثلاجة تحت أشعة الشمس المباشرة أو بالقرب من أجهزة تنبعث من حرارة مثل الفرن أو غسالة الأطباق أو المشع. يجب وضع الثلاجة على بعد 30 سم على الأقل من مصادر الحرارة المنبعثة وعلى الأقل 5 سم من المواقد الكهربائية.
- يجب وضع الطعام في علب مغلقة.
- بالنسبة للمنتجات المزودة بمقصورة فريزر، يمكنك تخزين الحد الأقصى من كمية الطعام في الفريزر عندما تقوم بإخراج الرفوف أو الأدراج منه. استهلاك الطاقة المذكورة والخاص بالثلاجة تم تحديده أثناء إخراج الرف والدرج من الفريزر وتحميله بالحد الأقصى للحمولة. ولا توجد خطورة من استخدام الرف أو الدرج وفقًا للأشكال وأحجام الأطعمة المطلوب تجميدها.
- إذابة الطعام المجمد في مقصورة الثلاجة ستوفر الطاقة وتحفظ جودة الطعام.



⚠️ في حالة عدم الأخذ بالمعلومات الواردة بدليل المستخدم في الإعتبار، لا يتحمل المصنع أي مسؤولية نتيجة لهذا.

### نقاط يجب الإهتمام بها عند التثابة.

1. يجب نزع القابس. قبل نقل التثابة بالموصلات يجب تفرغها وتنظيفها.
2. قبل إعادة تعبئتها، يجب تثبيت الأرفف والملفات والدرج... إلخ، داخل التثابة بشرط لاصق وتأمينها ضد الصدمات. يجب لف عبوة التثابة بشرط سميك أو بحبال سليمة ويجب الالتزام بقواعد نقل عبوة التثابة بصرامة.

3. يجب الحفاظ على العبوة الأصلية ومواد التغليف المصاحبة لأغراض النقل المستقبلي أو الانتقال.

### قبل بدأ تشغيل التثابة،

تحقق من التالي قبل بدأ تشغيل التثابة:

1. أرفق الأسافين البلاستيكية كما هو موضح أدناه. يتم استخدام الأسافين البلاستيكية للحفاظ على وجود مسافة والتي ستؤكّد على تدوير الهواء بين التثابة والحائط. (وضعت هذه الصورة كوصف تصويري ولا تتطابق بالكامل مع المنتج الخاص بك.)

2. نظف الجزء الداخلي للتثابة كما هو موصى به في قسم "الصيانة والتنظيف".

3. قم بتوصيل قابس التثابة مع مقبس الحائط. عند فتح باب التثابة، سيضيء المصباح الداخلي.

4. عندما يبدأ المكثف بالعمل، ستسمع صوتاً. قد تؤدي السوائل والغازات المتسربة من جهاز التثابة إلى إحداث ضوضاء، حتى إن كان جهاز ضغط الهواء لا يعمل وهذا أمر طبيعي.

5. قد يكون ملمس الحواف الأمامية للتثابة دافئاً. هذا شيء طبيعي. حيث تم تصميم هذه المناطق حتى تكون دافئة تجنباً للكثف.

### التوصيل الكهربائي

صل المنتج بمنفذ توصيل أرضي محمي بمنصهر ذي سعة مناسبة.

هام:

- يجب أن يتوافق التوصيل مع اللوائح الوطنية.
- يجب أن يكون قابس التيار في مكان يسهل الوصول إليه بعد التركيب.

• يمكن ضمان السلامة الكهربائية للتثابة فقط إذا كان نظام التوصيل الأرضي في منزل لك يتوافق مع المعايير.

• جهد التيار الكهربائي المذكور على الملصق الموجود على الجانب الداخلي الأيسر من المنتج يجب أن يكون مساوياً لجهد الشبكة لديك.

• يجب عدم استخدام الموصلات الكهربائية والمقابس متعددة المسالك للتوصيل.

⚠️ يجب أن يتم استبدال كابل التيار التالف بواسطة فني الكهرباء المعتمد.

⚠️ يجب ألا يتم تشغيل المنتج قبل إصلاحه! حيث يوجد خطر يكمن في التعرض لصدمة كهربائية!

### التخلص من عبوة المنتج

قد تكون مواد التغليف خطرة على الأطفال. احتفظ بمواد التغليف بعيداً عن متناول الأطفال أو تخلص منها بتصنيفها وفقاً لتعليمات التخلص من المخلفات المحددة من السلطات المحلية. لا تتخلص من المخلفات مع مخلفات المنزل العادية، قم بالتخلص منها من خلال نقاط التقاط مواد التعبئة والتغليف المحددة من السلطات المحلية.

يتم تصنيع حزمة تعبئة التثابة من مواد قابلة لإعادة التدوير.

### التخلص من التثابة القديمة

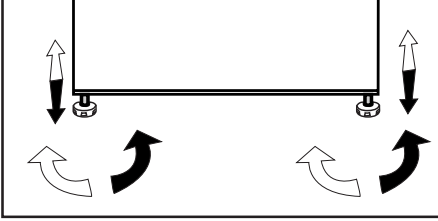
تخلص من الجهاز القديم دون إحداث أي ضرر بالبيئة.

- يمكنك استشارة الوكيل المعتمد لديك أو مركز تجميع النفايات بمدينةك حول التخلص من التثابة القديمة.

## ضبط أقدام الثلاجة

إذا كانت الثلاجة غير متزنة؛

يمكن ضبط اتزان الثلاجة بتدوير الأقدام الأمامية كما هو موضح بالشكل. يتم خفض الركن الموجود به القدم عند التدوير باتجاه السهم الأسود ويرتفع عند التدوير في الاتجاه المعاكس. ستساعد الاستعانة بشخص آخر في رفع الثلاجة قليلاً في إنجاز هذه العملية.



قبل التخلص من الثلاجة، اقطع القابض الكهربائي، وفي حالة وجود أي أقفال على باب الثلاجة، اجعلها غير قابلة للتشغيل لحماية الأطفال من أي خطر.

## الوضع والتركييب

⚠ إذا كان باب الحجرة التي ستوضع بها الثلاجة ضيق بدرجة لا تسمح بمرور الثلاجة من خلاله، فاتصل بمركز الصيانة المعتمد لإزالة أبواب الثلاجة وتمريرها وهي مائلة من الباب.

1. ركب الثلاجة في مكان يسمح بسهولة الاستخدام.
2. ضع الثلاجة بعيداً عن مصادر الحرارة والمناطق الرطبة وأشعة الشمس المباشرة.
3. يجب أن تتوفر التهوية المناسبة حول الثلاجة للحصول على تشغيل يتسم بالكفاءة. إذا كانت الثلاجة ستوضع في تجويف داخل الحائط، فيجب أن يكون بترك 5 سم على الأقل بينها وبين السقف و 5 سم على الأقل بينها وبين الحائط. لا تضع ثلاجتك على مواد مثل السجاد أو الموكيت.
4. ضع الثلاجة على سطح مستو لمنع الحركة المفاجئة.

## تغيير مصباح الإضاءة

لتغيير المصباح/مصباح الإضاءة الخلفية (LED) المستخدم في إضاءة الثلاجة، يرجى الاتصال بمركز الصيانة المعتمد.

المصباح (المصابيح) المستخدمة في هذا

الجهاز غير مناسبة للإضاءة في الغرف

المنزلية. الغرض الأساسي لهذا المصباح هو

مساعدة المستخدم لوضع أدوات الطعام في

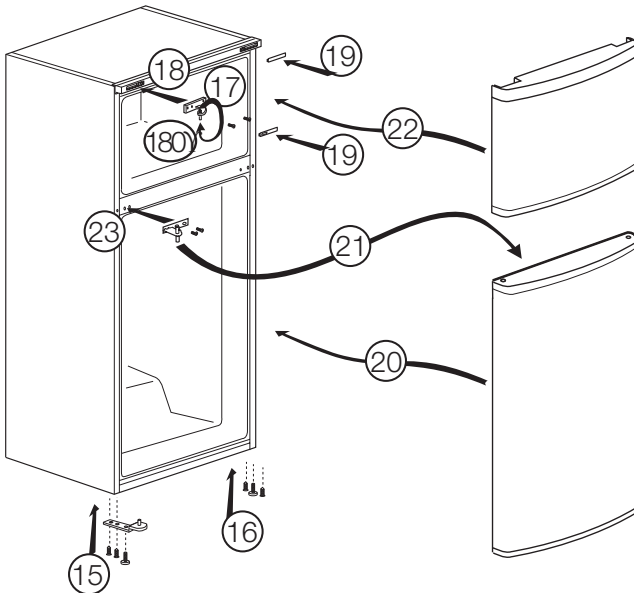
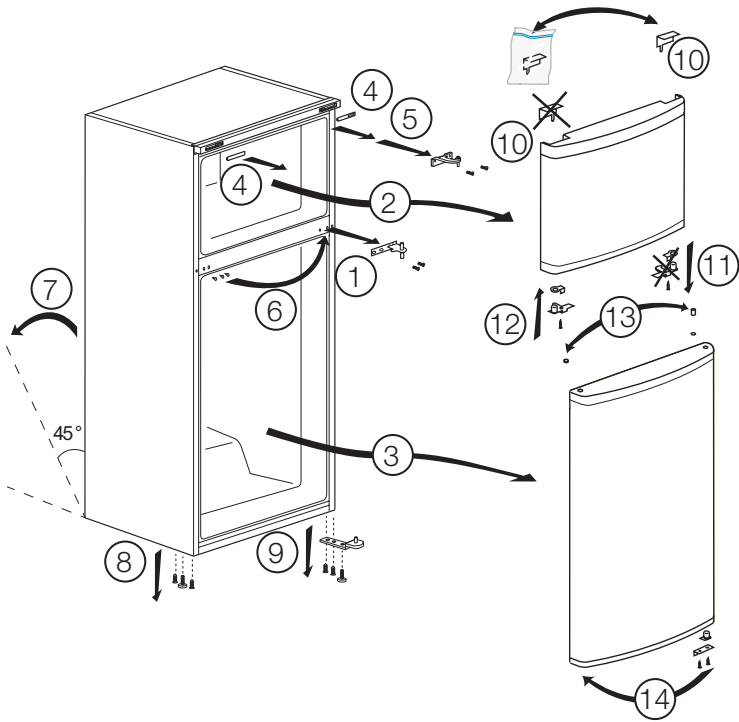
الثلاجة/المجمّد بطريقة سهلة وآمنة

المصابيح المستخدمة في هذا الجهاز لها قدرة

تحمل تتمثل في درجات الحرارة أقل من 20-

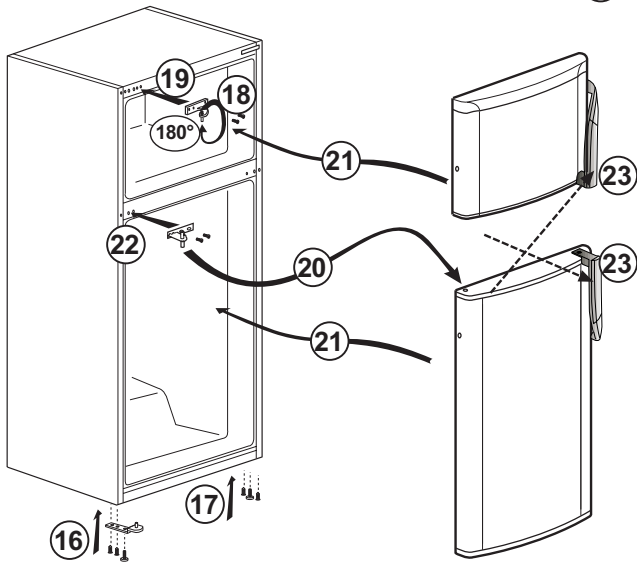
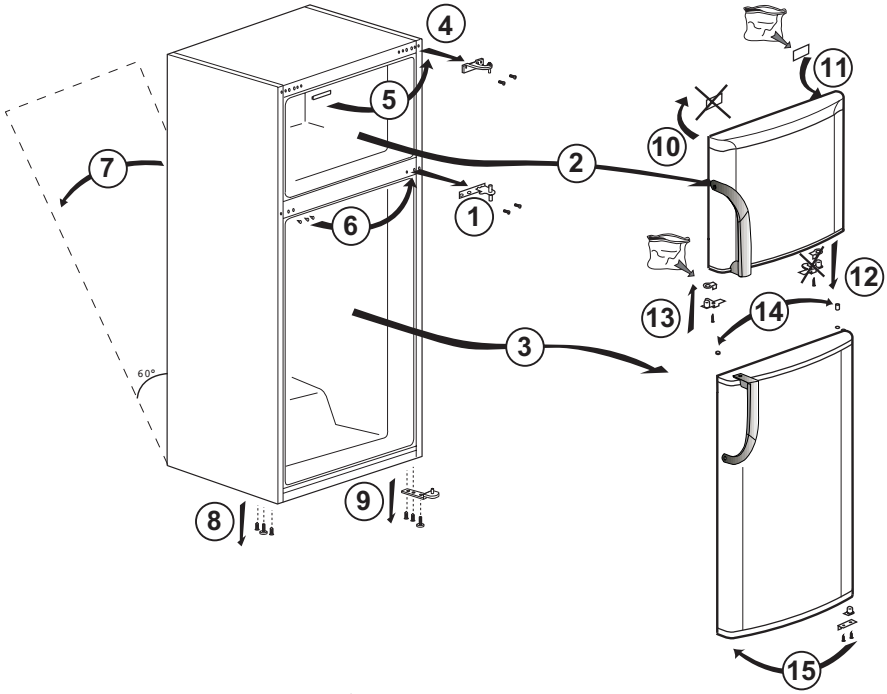
درجة مئوية.

عكس الأبواب  
اتبع الترتيب الرقمي





عكس الأبواب  
اتبع الترتيب الرقمي



- i** في بعض الموديلات، تتوقف لوحة الأدوات 5 دقائق بعد إغلاق الباب. سيتم إعادة تفعيلها عند فتح الباب أو الضغط على أي مفتاح.
- i** نظرا لتغير درجات الحرارة نتيجة لفتح /إغلاق باب الجهاز أثناء العملية، فالتكثيف على الباب /والرفوف والعبوات الزجاجية أمر طبيعي

- i** يجب تركيب الثلاجة على بعد 30 سم على الأقل من مصادر الحرارة مثل المواقد والأفران والسخان المركزي والمواقد وعلى بعد 5 سم على الأقل من الأفران الكهربائية ويجب عدم وضعها في ضوء الشمس المباشر.
- i** يجب أن تكون درجة الحرارة المحيطة للغرفة التي توضع فيها الثلاجة 10 درجة مئوية على الأقل. ولا يُوصى بتشغيل الثلاجة في ظروف درجة حرارة أقل من ذلك تحقيقاً لكفاءتها.

- i** يُرجى التأكد من تنظيف الثلاجة من الداخل بعناية.
- i** إذا كنت بصدد تركيب ثلاجتين جنباً إلى جنب، فيجب المباعرة بينهما بمسافة 2 سم على الأقل.
- i** عند تشغيل الثلاجة للمرة الأولى، يُرجى مراعاة التعليمات التالية أثناء الساعات الستة الأولى.
- يجب عدم فتح الباب بصورة متكررة.
  - يجب تشغيلها وهي خاوية بدون أي أطعمة داخلها.
  - لا تنزع قابس التيار الكهربائي للثلاجة. إذا توقف التيار الكهربائي رغماً عنك، فيرجى قراءة التحذيرات الواردة في قسم "حلول مقترحة للمشكلات".

- i** يجب استخدام السلال/الجوارير التي تزود مع حجرة التبريد دائما لتقليل استهلاك الطاقة ومن أجل ظروف تخزين أفضل.

- i** إن احتكاك الطعام مع مجس درجة الحرارة في حجرة المجمد قد يزيد من استهلاك الطاقة في الجهاز. لذا يجب تجنب الاحتكاك مع المجس.
- i** يجب الحفاظ على العبوة الأصلية ومواد التغليف المصاحبة لأغراض النقل المستقبلي أو الانتقال.

## إزالة الثلج

يقوم صندوق الثلاجة بإزالة الثلج تلقائياً. يمر

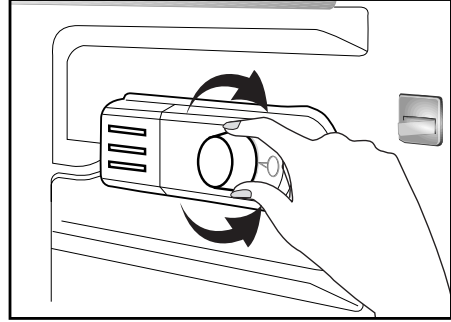
الماء الناتج عن إزالة الثلج من تجويف

تجميع الماء ويتدفق في المبخر من خلال

أنبوب الصرف ويتبخر من تلقاء نفسه.

- لا يقوم صندوق الديب فريزر بإزالة الثلج تلقائياً لمنع فساد الطعام المجمد.

- يتدفق الماء إلى طبق البخر عبر أنبوب تصريف موجود في الجدار الداخلي الخلفي. تحقق ما إذا كان أنبوب التصريف مسدوداً خلال فترات زمنية معينة وافتحه إن كان كذلك.



زر ضبط الترومستات

تتغير درجة حرارة الثلاجة للأسباب التالية:

- درجات الحرارة الموسمية
- فتح باب الثلاجة بشكل متكرر وتركه مفتوحاً لفترات طويلة،
- الطعام الذي تم وضعه في الثلاجة بدون تبريده إلى درجة حرارة الغرفة،
- مكان الثلاجة في الغرفة (مثل التعرض لأشعة الشمس).
- يمكنك ضبط درجة حرارة الثلاجة المتغيرة لهذه الأسباب بواسطة الترومستات. تشير الأرقام الموجودة على زر الترومستات إلى درجات التبريد.

- إذا كانت درجة الحرارة المحيطة

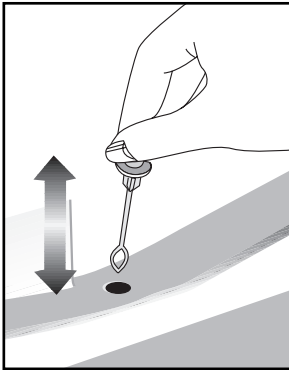
أعلى من 32 درجة مئوية، أدر زر

الترومستات إلى وضع الحد الأقصى.

- إذا كانت درجة الحرارة المحيطة أقل

من 25 درجة مئوية، أدر زر الترومستات إلى

وضع الحد الأدنى.



- يجب إزالة الثلج الذي تجمع في صندوق

الثلاجة كل 6 أشهر. يوصى بإزالة الثلج

عندما يكون صندوق الديب فريزر غير

ممتلئاً أو فارغاً.

- للقيام بذلك، قم بلف الطعام المجمد بواسطة

الورق واحفظه في أبرد مكان ممكن أو في

ثلاجة أخرى إن أمكن.

- أوقف تشغيل الثلاجة بواسطة زر ضبط درجة

الحرارة أو افصل سلك التيار الكهربائي من

منفذ التيار الكهربائي. يمكنك وضع العلبة

الممتلئة بماء ساخن في صندوق الفريزر أو

اترك باب صندوق الفريزر مفتوحاً لتسريع

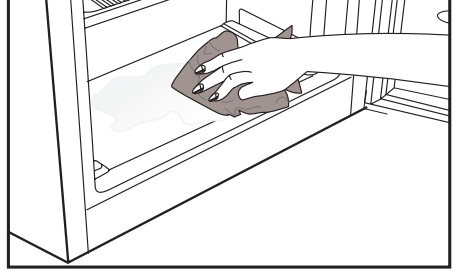
عملية إزالة الثلج.

## إيقاف تشغيل الجهاز

إذا كان الترموستات مزوداً بوضع «0»: يمكنك إيقاف تشغيل الجهاز عن طريق لف مقبض الترموستات إلى الوضع «0» (صفر). سيبدأ تشغيل الجهاز عن طريق لف مقبض الترموستات إلى الوضع «1» أو أي من الأوضاع الأخرى مرة ثانية. إذا كان الترموستات مزوداً بوضع «سالِب»: انزع القابس لإيقاف تشغيل الجهاز.

• أزل الماء المتجمع في الصندوق السفلي لصندوق الفريزر بواسطة قطعة قماش ماصة أو قطعة إسفنج.

• قم بتحفيف صندوق الفريزر تماماً وأعد زر ضبط درجة الحرارة إلى وضعه السابق.  
• قم بتشغيل الثلجة لمدة 2 ساعتين عندما تكون فارغة وأبوابها مغلقة قبل وضع الطعام في الديب فريزر.



## عمل مكعبات الثلج

(في بعض الطرازات)

أملء جهاز عمل الثلج بالمياه وضعه في مكانه. سيتم إعداد الثلج في حوالي ساعتين تقريباً. يمكنك إزالته بسهولة من خلال لف وعاء الثلج

## 6 الصيانة والتنظيف

- ⚠ لا تستخدم الجازولين أو البنزين أو أي مواد مشابهة لأغراض التنظيف.
- ⚠ نوصي بفصل الجهاز عن التيار الكهربائي قبل تنظيفه.
- ⚠ لا تستخدم أبداً أي مواد كاشطة أو صابون أو منظفات منزلية أو منظفات غسيل أو شمع التلميع عند التنظيف.
- ⚠ في غير المنتجات التي تمنع تكون الثلج (No Frost)، يتساقط الماء ويمكن أن يتراكم الثلج بمقدار يصل إلى عرض الإصبع على الجدار الخلفي الداخلي لصندوق الثلاجة. لا تنظفه، ولا تستعمل مطلقاً النفط أو عوامل مماثلة عليه.
- ⚠ استخدم فقط قطعة قماش من الأنسجة دقيقة رطبة قليلاً لتنظيف السطح الخارجي للمنتج. قد يخدش الإسفنج والأنواع الأخرى من أقمشة التنظيف سطح المنتج.
- ⓘ استخدم المياه الفاترة لتنظيف صندوق الثلاجة ثم امسحه ليجف.
- ⓘ استخدم قطعة من القماش الملتوية والرطبة مع ملء ملعقة شاي من بيكربونات الصودا مضافة لجالون من الماء لتنظيف الداخل ثم يجفف.
- ⓘ تأكد من عدم دخول المياه إلى مبيت المصباح وغيره من العناصر الكهربائية.
- ⓘ إذا كانت الثلاجة لن تستعمل لفترة زمنية طويلة، فافصل كابل التيار الكهربائي ثم أفرغ جميع الأطعمة ثم نظفها واترك الباب مفتوح جزئياً.
- ⓘ قم بفحص عوازل التسريب في الباب بانتظام للتأكد من سلامتها وخلوها من جزيئات الطعام.
- ⓘ لإزالة أرفف الباب، أخرج جميع المحتويات ثم ادفع رف الباب لأعلى بعيداً عن القاعدة.
- ⓘ لا تستخدم أبداً مواد التنظيف أو المياه التي تحتوي على الكلورين لتنظيف الأسطح الخارجية والأجزاء المطلية بالكروم من المنتج. فالكلورين يتسبب في تآكل هذه الأسطح المعدنية.
- ⓘ لا تستخدم الأدوات الحادة والكاشطة أو الصابون، أو مواد التنظيف المنزلية، المنظفات، البنزين، الشمع، الخ، والإسنزول الأختام على الأجزاء البلاستيكية ويحدث تشوه. استخدم ماء فاترًا وقماشة ناعمة للتنظيف والتجفيف.

### حماية الأسطح البلاستيكية

- ⓘ لا تضع زيوتاً سائلة أو وجبات مطبوخة بالزيت في الثلاجة في علب غير معزولة، إذ قد تتسبب في تلف الأسطح البلاستيكية للثلاجة. في حالة انسكاب زيت أو تسربه على الأسطح البلاستيكية، نظف هذا الجزء واشطفه فوراً بماء دافئ.

## 7 حلول مقترحة للمشكلات

يرجى مراجعة هذه القائمة قبل الاتصال بمركز الخدمة. فقد يوفر عليك وقتًا ومالًا. تشمل هذه القائمة الشكاوى التي لم تنتج عن عيوب صناعة أو المواد المستخدمة. قد لا تتوافر بعض الميزات الواردة في هذا الدليل في المنتج الخاص بك.

|  |
|--|
| الثلاجة لا تعمل  |
| <ul style="list-style-type: none"> <li>هل الثلاجة متصلة بالتيار الكهربائي؟ توصيل القابس بمنفذ الكهرباء بالحائط.</li> <li>هل احترق منصهر القابس المتصلة به الثلاجة أو المنصهر الرئيسي؟ افحص المنصهر.</li> </ul>   |
| تكتف في جانب صندوق الثلاجة. (المنطقة المتعددة، التحكم في التبريد، والمنطقة المرنة)   |
| <ul style="list-style-type: none"> <li>الظروف المحيطة باردة جدًا. فتح الأبواب وغلغها بشكل متكرر. الظروف المحيطة عالية الرطوبة. تخزين طعام يحتوي على سائل في أوعية مفتوحة. ترك الباب مفتوح جزئيًا.</li> <li>تغيير وضع الترموستات إلى الدرجة أكثر برودة.</li> <li>تقليل الوقت الذي ترك الباب فيه مفتوحًا أو استخدامه بصورة أقل.</li> <li>تغطية الطعام المخزن في حاويات مفتوحة بمادة مناسبة.</li> <li>مسح التكتف بقطعة قماش جافة والتحقق من بقائه.</li> </ul>   |
| جهاز ضغط الهواء لا يعمل  |
| <ul style="list-style-type: none"> <li>سينصهر العازل الحراري لجهاز ضغط الهواء أثناء الانقطاع المفاجئ للتيار الكهربائي أو توصيل قابس الثلاجة بالتيار الكهربائي أو فصله. لأن ضغط الثلاجة في نظام تبريد الثلاجة لم يتوازن بعد.</li> <li>ستبدأ الثلاجة في العمل بعد 6 دقائق تقريبًا. يرجى الاتصال بمركز الصيانة إذا لم تبدأ الثلاجة في العمل بعد انتهاء هذه المدة.</li> <li>الثلاجة في دورة إزالة الثلج. هذا أمر عادي لكل الثلاجات الأوتوماتيكية التي تزيل الثلج. تحدث عملية إزالة الثلج دوريًا.</li> <li>الثلاجة غير متصلة بالقابس. تأكد أن القابس موضوع بإحكام في مقبس الحائط.</li> <li>هل تم ضبط درجة الحرارة بشكل صحيح؟ انقطاع التيار الكهربائي. اتصل بشركة الكهرباء.</li> </ul>   |
| تعمل الثلاجة بصورة متكررة أو لوقت طويل.  |
| <ul style="list-style-type: none"> <li>قد تكون الثلاجة الجديدة أكبر من القديمة. هذا شيء طبيعي تمامًا. الثلاجات الكبيرة تعمل لفترات أطول.</li> <li>قد تكون درجة الحرارة المحيطة عالية. وهذا أمر طبيعي جدًا.</li> <li>الثلاجة متصلة بالكهرباء منذ قليل أو مليئة بالطعام. قد يستمر تبريد الثلاجة كلياً لساعات أطول.</li> <li>قد تكون هناك كميات كبيرة من الطعام الساخن تم وضعها في الثلاجة مؤخرًا. يتسبب الطعام الساخن في تشغيل الثلاجة حتى يصل إلى درجة حرارة التخزين الآمنة.</li> <li>قد تكون الأبواب مفتوحة بصورة متكررة أو مفتوحة جزئيًا لفترة طويلة. يتسبب الهواء الساخن الذي دخل الثلاجة في تشغيل الثلاجة لفترة أطول. افتح الأبواب عددًا أقل من المرات.</li> <li>قد يكون باب صندوق الفريزر أو الثلاجة مفتوح جزئيًا. تأكد أن الأبواب مغلقة تمامًا.</li> <li>تم ضبط الثلاجة على درجة باردة جدًا. اضبط درجة حرارة الفريزر على درجة أعلى وانتظر حتى تصل إلى درجة الحرارة المطلوبة.</li> <li>قد يكون عازل باب الثلاجة أو الفريزر متسخًا أو باليًا أو متهتكًا أو مثبت بطريقة غير صحيحة. نظف العازل أو استبدله. لأن العازل المتالف أو المتهتك يتسبب في أن تعمل الثلاجة لفترات أطول للحفاظ على درجة الحرارة الحالية.</li> </ul> |

|  |
|--|
| درجة حرارة الفريزر منخفضة جداً بينما درجة حرارة الثلاجة غير كافية.   |
| • تم ضبط الفريزر على درجة باردة جداً. اضبط درجة حرارة الفريزر على درجة أعلى ثم تأكد ثانية.   |
| درجة حرارة الثلاجة منخفضة جداً بينما درجة حرارة الفريزر غير كافية.   |
| • تم ضبط الثلاجة على درجة باردة جداً. اضبط درجة حرارة الثلاجة على درجة أعلى ثم تحقق ثانية.   |
| تجمد الطعام المحفوظ في أدرج صندوق الثلاجة.   |
| • تم ضبط الثلاجة على درجة باردة جداً. اضبط درجة حرارة الثلاجة على درجة أعلى ثم تحقق ثانية.   |
| درجة حرارة الثلاجة أو الفريزر عالية جداً.  |
| • تم ضبط الثلاجة على درجة حرارة عالية جداً. يؤثر ضبط الثلاجة على درجة حرارة الفريزر. غير درجة حرارة الثلاجة أو الفريزر حتى تصل إلى مستوى مناسب.  |
| • قد يكون الباب مفتوح جزئياً. أغلق الباب تماماً.   |
| • قد تكون هناك كميات كبيرة من الطعام الساخن تم وضعها في الثلاجة مؤخراً. انتظر حتى تصل الثلاجة أو الفريزر إلى درجة الحرارة المطلوبة.  |
| • تم توصيل الثلاجة بالكهرباء مؤخراً. فتبريد الثلاجة تماماً يستغرق وقتاً بسبب الحجم.  |
| تشبه الضوضاء الناتجة عن الثلاجة صوت الثواني الذي تصدره ساعة.   |
| • تصدر هذه الضوضاء من صمام اللولبي للثلاجة. يعمل هذا الصمام بغرض ضمان تبريد المسار عبر الصندوق والذي يمكن ضبطه على درجات حرارة التبريد أو التجميد. كما أنه يقوم بوظائف التبريد. وهذا أمر طبيعي وليس عيباً. |
| ترتفع ضوضاء التشغيل عند تشغيل الثلاجة.   |
| • قد تتغير سمات أداء الثلاجة تبعاً للتغيرات في درجة الحرارة المحيطة بالثلاجة. وهذا طبيعي ولا يعد ذلك عيباً.  |
| اهتزازات أو ضوضاء.   |
| • الأرض ليست مستوية أو ليست صلبة. تهتز الثلاجة عند تحريكها ببطء. تأكد من أن الأرض مستوية وقوية وتحمل الثلاجة.  |
| • قد يصدر صوت من الأشياء الموضوعة على الثلاجة يجب إزالة هذه الأشياء من على سطح الثلاجة.  |
| تصدر ضوضاء مثل صوت انسكاب سائل أو رشه.   |
| • تناسب السوائل والغازات وفقاً لقواعد تشغيل الثلاجة. وهذا طبيعي ولا يعد ذلك عيباً.   |
| تحدث ضوضاء شبيهة بصفير الرياح.   |
| • تستخدم منشطات الهواء (المراوح) للسماح للثلاجة بالتبريد بشكل فعال. وهذا طبيعي ولا يعد ذلك عيباً.  |
| تكاثف في الحوائط الداخلية للثلاجة.   |
| • يزيد الطقس الحار والرطب من التلخيش والتكاثف. وهذا طبيعي ولا يعد ذلك عيباً.   |
| • الأبواب مفتوحة جزئياً. تأكد أن الأبواب مغلقة تماماً.   |
| • قد تكون الأبواب مفتوحة بصورة متكررة جداً أو قد تكون متروكة مفتوحة لفترة طويلة. افتح الأبواب بتكرار أقل.  |
| تحدث الرطوبة في الإطار الخارجي للثلاجة أو بين الأبواب.   |
| • قد يكون الطقس رطباً. هذا شيء طبيعي جداً في الأجواء الرطبة. وعندما تكون الرطوبة أقل: يختفي التكثف.  |
| توجد رائحة كريهة داخل الثلاجة.   |

- يجب تنظيف الجزء الداخلي من الثلاجة. نظف داخل الثلاجة بقطعة أسفنجية وماء دافئ أو ماء مكرين.
- قد تتسبب بعض الأوعية أو مواد التعبئة في هذه الرائحة. استخدم وعاء مختلف أو مواد تعبئة مختلفة.

#### الباب (الأبواب) لا يغلق.

- عبوات الطعام قد تمنع إغلاق الباب. غير وضع عبوات الطعام التي تعيق الباب.
- الثلاجة ليست عمودياً تمامًا على الأرض وقد تهتز عند تحريكها قليلاً أضبط مسامير الارتفاع.
- الأرض ليست مستوية أو قوية. تأكد من أن الأرض مستوية وتحمل الثلاجة.

#### الأدراج عالقة.

- قد يكون الطعام ملامسًا لسقف الدرج. أعد ترتيب الطعام في الدرج.

#### إذا كان سطح المنتج ساخناً

- قد يلاحظ ارتفاع درجات الحرارة بين البابين، وعلى الألواح الجانبية والشواية الخلفية أثناء تشغيل المنتج. وهذا طبيعي ولا يعد ذلك عيبًا يتطلب الصيانة. كن حذرًا عند لمس هذه الأماكن.





48 6692 0001/AJ

EN-FR-EL-AR



[www.beko.com](http://www.beko.com)