



Upright Freezer

Congélateur Vertical

Gefrierschrank

Staand Diepvriezer

Congelatore Verticale

Вертикальної Морозилки

Skříňová Mraznička

Skriňová Mraznička

Вертикального Морозильника

FS225330



## **WARNING!**

In order to ensure a normal operation of your refrigerating appliance, which uses a completely environmentally friendly refrigerant the R600a (flammable only under certain conditions) you must observe the following rules:

- ◆ Do not hinder the free circulation of the air around the appliance.
- ◆ Do not use mechanical devices in order to accelerate the defrosting, others than the ones recommended by the manufacturer.
- ◆ Do not destroy the refrigerating circuit.
- ◆ Do not use electric appliances inside the food keeping compartment, other than those that might have been recommended by the manufacturer.

## **AVERTISSEMENT !**

Afin de s'assurer du fonctionnement normal de votre réfrigérateur, contenant le réfrigérant R600a qui contribue à la protection de l'environnement (inflammable dans certaines conditions seulement), il convient de respecter les règles suivantes :

- ◆ Ne pas empêcher la circulation d'air autour de l'appareil.
- ◆ Ne pas utiliser d'outils mécaniques ou autres dispositifs pour accélérer le processus de décongélation autres que ceux qui sont recommandés par le fabricant.
- ◆ Ne pas abîmer le circuit réfrigérant.
- ◆ Ne pas utiliser d'appareils électriques à l'intérieur des compartiments de conservation de denrées, à moins qu'ils soient conformes au type d'appareils recommandés par le fabricant.

## **WARNUNG!**

Damit Ihr Kühlgerät, das ein vollständig umweltverträgliches Kühlmittel (R600a, nur unter bestimmten Bedingungen entflammbar) nutzt, richtig arbeiten kann, müssen Sie die folgenden Regeln beachten:

- ◆ Sorgen Sie für freie Luftzirkulation um das Gerät herum.
- ◆ Verwenden Sie keinerlei mechanischen Geräte zum Beschleunigen des Abtauvorgangs. Ausgenommen davon sind Geräte, die vom Hersteller empfohlen werden.
- ◆ Beschädigen Sie nicht den Kühlkreislauf.
- ◆ Setzen Sie keinerlei Elektrogeräte im Inneren des Kühlgerätes ein. Ausgenommen davon sind Geräte, die vom Hersteller empfohlen werden.

## **WAARSCHUWING!**

U moet de volgende regels in acht nemen om de normale werking van uw koelkast, die het volledig milieuvriendelijke koelmiddel R600a gebruikt, te verzekeren:

- ◆ Hinder de vrije luchtcirculatie rond het toestel niet.
- ◆ Gebruik geen andere mechanische toestellen om het ontdooien te versnellen dan de toestellen die door de fabrikant worden aangeraden.
- ◆ Vernietig het koelcircuit niet.
- ◆ Gebruik geen andere elektrische toestellen in de bewaarlade voor etenswaren dan de toestellen die eventueel door de fabrikant worden aangeraden.

## **AVVERTENZA!**

Per garantire il funzionamento adeguato dell'elettrodomestico, che utilizza il refrigerante R600a completamente adatto all'ambiente (inflammabile solo in determinate condizioni), è necessario attenersi alle seguenti regole:

- ◆ Non ostacolare la libera circolazione dell'aria attorno all'elettrodomestico.
- ◆ Per accelerare lo sbrinatorio non utilizzare dispositivi meccanici diversi da quelli consigliati dal produttore.
- ◆ Non danneggiare il circuito refrigerante.
- ◆ Non utilizzare all'interno del comparto del cibo elettrodomestici diversi da quelli consigliati dal produttore.

## **УВАГА!**

Для того, щоб забезпечити нормальну роботу Вашого холодильника, в якому використовується охолоджуючий реагент R600a, абсолютно нешкідливий для навколишнього середовища (займається лише за певних умов), Вам Необхідно дотримуватися наступних правил.

- ◆ Не створюйте перепон для вільної циркуляції повітря навколо холодильника.
- ◆ Не користуйтеся жодними механічними пристроями та інструментами для видалення льоду під час розморожування холодильника, окрім тих, що рекомендовані виробником.
- ◆ Не допускайте пошкодження охолоджуючого контура.
- ◆ Не встановлюйте всередину холодильного відділення, де зберігаються продукти, жодних електричних пристроїв, окрім тих, що рекомендовані виробником.

## **UPOZORNĚNÍ!**

Aby byl zajištěn normální provoz vaší chladničky, která používá pro životní prostředí zcela neškodné chladicí médium R600a (vznětlivé pouze za určitých podmínek), musíte dodržet následující pravidla:

- ◆ Nebráňte ve volné cirkulaci vzduchu kolem přístroje.
- ◆ Nepoužívejte mechanická zařízení pro zrychlení odmrazení kromě těch, která jsou doporučena výrobcem.
- ◆ Nelikvidujte chladicí okruh.
- ◆ Nepoužívejte elektrické spotřebiče uvnitř prostoru pro potraviny kromě těch, která by mohl doporučit výrobce.

## **VAROVANIE!**

Aby sa zabezpečila normálna prevádzka vašej chladničky, ktorá používa úplne ekologicky nezávadné chladivo R600a (horľavé len pri určitých podmienkach), musíte dodržiavať nasledujúce pravidlá:

- ◆ Nebráňte voľnej cirkulácii vzduchu okolo spotrebiča.
- ◆ Nepoužívajte mechanické prístroje na urýchľovanie rozmrazovacieho procesu, iné ako odporúča výrobca.
- ◆ Neporušujte chladiaci okruh.
- ◆ Nepoužívajte elektrické spotrebiče vo vnútri pípacieho priestoru potravín, iné ako tie, ktoré odporúča výrobca.

## **ВНИМАНИЕ**

Для того, чтобы обеспечить нормальную работу Вашего холодильника в котором используется охлаждающий реагент R600a, совершенно безвредный для окружающей среды (воспламеняющийся только в определенных условиях), Вам следует соблюдать следующие правила.

- ◆ Не создавайте препятствий для свободной циркуляции воздуха вокруг холодильника.
- ◆ Не пользуйтесь никакими механическими приспособлениями и инструментами для удаления льда при размораживании холодильника, кроме тех, которые рекомендованы изготовителем.
- ◆ Не допускайте повреждения охлаждающего контура.
- ◆ Не устанавливайте внутрь холодильного отделения, где хранятся продукты, никакие электрические устройства, кроме тех, которые рекомендованы изготовителем.

## GB Index

Safety first /1  
Electrical requirements /2  
Transportation instructions; Installation instructions /2  
Temperature control and adjustment /3  
Before operating /3  
Freezer control panel; Fast freeze function /4  
Storing frozen food; Freezing fresh food /4  
Making ice cubes /5  
Getting to know your appliance /5  
Defrosting; Cleaning and care /5  
Repositioning the door /5  
Do's and don'ts /6  
Troubleshooting /6  
Energy Consumption /7  
Information about operating noises /7

## FR Sommaire

La sécurité d'abord /8  
Conditions électriques /9  
Instructions de transport; Instructions d'installation /9  
Commande de température et réglage /10  
Avant l'utilisation /10  
Bandeau de commande du congélateur /11  
Fonction de congélation rapide /11  
Conservation des denrées surgelées /11  
Congélation des produits frais; Fabrication de glaçons /12  
Apprendre à connaître votre appareil; Dégivrage /12  
Nettoyage et entretien; Repositionnement de la porte /13  
À faire / À éviter /13  
Diagnostic /14  
Consommation énergétique /15  
Informations relatives aux bruits de fonctionnement /15

## D Inhaltsverzeichnis

Wichtige Sicherheitshinweise /16  
Elektrischer Anschluss /17  
Transporthinweise; Aufstellen des Gerätes /17  
Temperaturkontrolle und – Einstellung /18  
Vor der Inbetriebnahme /18  
Tiefkühlbereich-Bedienfeld /19  
Schnellgefrierfunktion /19  
Lagerung von Tiefkühlkost /19  
Frische Lebensmittel tiefkühlen; Herstellung von Eiswürfeln /20  
Lernen Sie Ihr neues Gerät kennen; Abtauen /20  
Reinigung und Pflege; Änderung des Türanschlags /21  
Wichtige Hinweise – Bitte beachten! /21  
Problemlösung /22  
Energieverbrauch /23  
Hinweise zum Betriebsgeräusch /23

## NL Inhoud

Veiligheid eerst /24  
Elektriciteitsvereisten /25  
Transportinstructies; Installatie-instructies /25  
Opmerking en regeling van de temperatuur /26  
Alvorens de inwerkstelling /26  
Bedieningspaneel diepvriezer /27  
Shelvriesfunctie; Diepvriesproducten bewaren /27  
Verse etenswaren invriezen /28  
Ijsblokjes maken; Uw toestel leren kennen /28  
Ontdoeien /28  
Schoonmaak en onderhoud /29  
De deur verplaatsen; Wel en niet /29  
Problemen oplossen /30  
Energieverbruik /31  
Informatie over de functiegeluiden /31

## IT Indice

Sicurezza iniziale /32  
Requisiti elettrici /33  
Istruzioni per il trasporto; Istruzioni di installazione /33  
Controllo e regolazione della temperatura /34  
Prima della messa in funzione /34  
Pannello di controllo freezer /35  
Funzione congelamento rapido/35  
Conservazione di cibo congelato /35  
Congelamento di cibo fresco /36  
Preparazione dei cubetti di ghiaccio /36  
Informazioni generali sull'elettrodomestico /36  
Sbrinamento; Pulizia e manutenzione /36  
Riposizionamento dello sportello /37  
Cosa fare e cosa non fare /37  
Risoluzione dei problemi /38  
Consumo energetico /39  
Informazioni sui rumori di funzionamento /39

## УКР Зміст

Безпека перш за все! /40  
Вимоги до електропостачання /41  
Інструкція з транспортування /41  
Інструкція зі встановлення /41  
Регулювання температури /42  
Перед початком роботи; Панель керування /42  
Режим швидкого замороження /43  
Зберігання заморожених продуктів /43  
Заморожування свіжих продуктів; Заморожування льоду /44  
Загальні відомості; Розморожування морозильника /44  
Чищення морозильника і догляд за ним /45  
Перенавішування дверцят; Що слід і чого не можна робити /45  
Усунення несправностей /46  
Енергоспоживання /46  
Чому морозильник шумить /46

## CZ Rejstřík

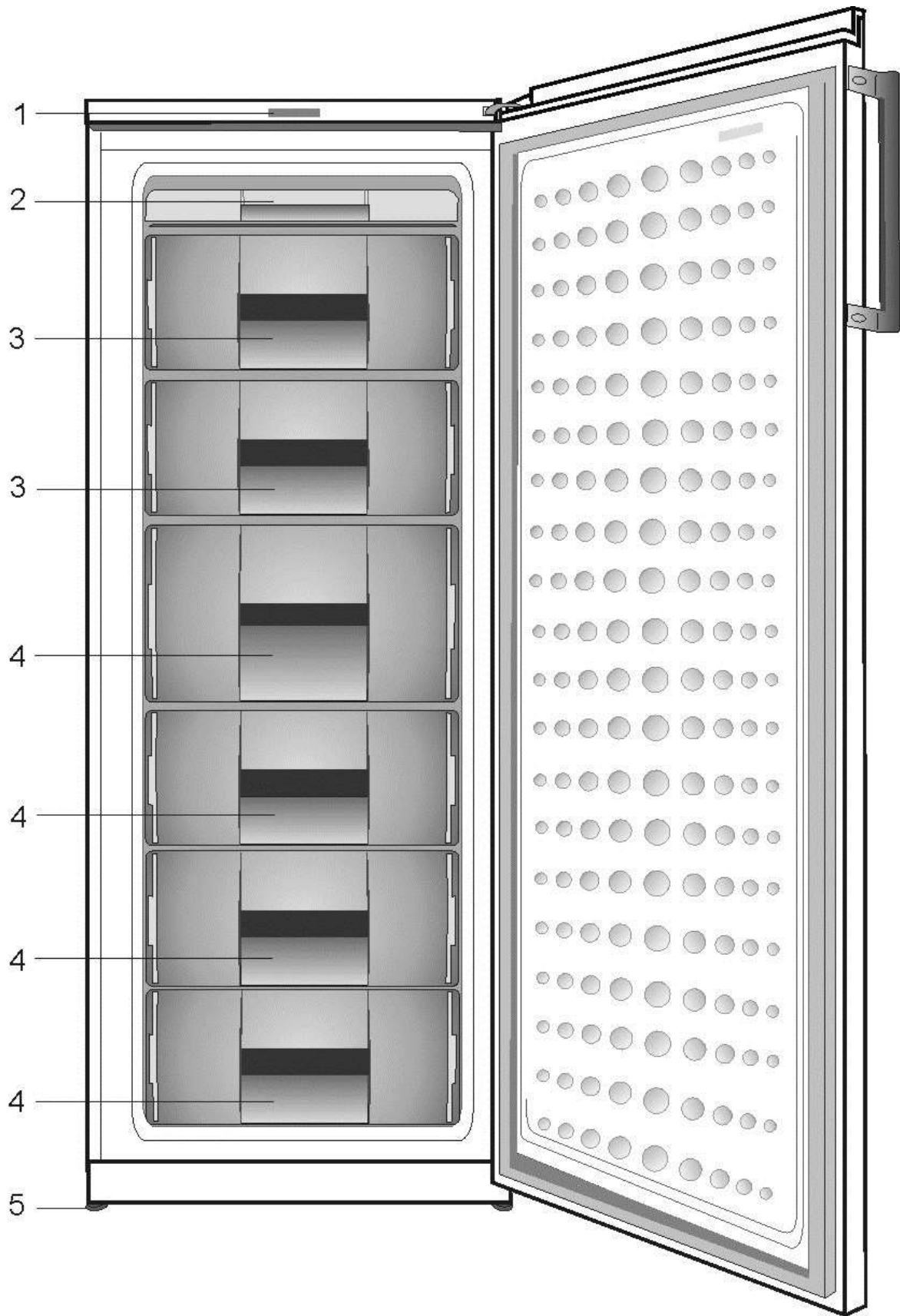
Bezpečnost především /48  
Elektrické požadavky /49  
Pokyny pro transport; Pokyny pro instalaci /49  
Kontrola a nastavení teploty /50  
Před spuštěním; Ovládací panel mrazničky /50  
Funkce rychlého zmrazení /51  
Ukládání zmrazených potravin /51  
Mražení čerstvých potravin /51  
Tvorba kostek ledu; Seznámení s vaším spotřebičem /51  
Odmrazování; Čištění a péče /52  
Výměna dvířek /52  
Co dělat a co nedělat /53  
Odstraňování potíží /54  
Spotřeba energie /54  
Informace o provozních hlucích /54

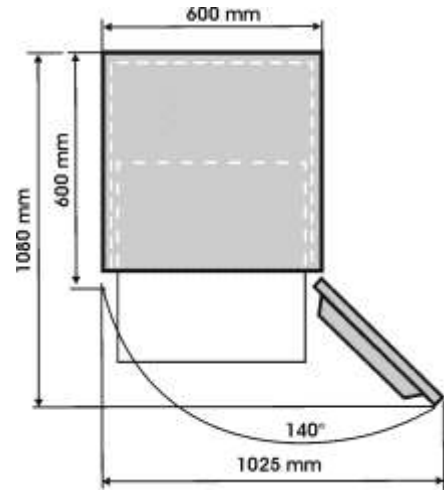
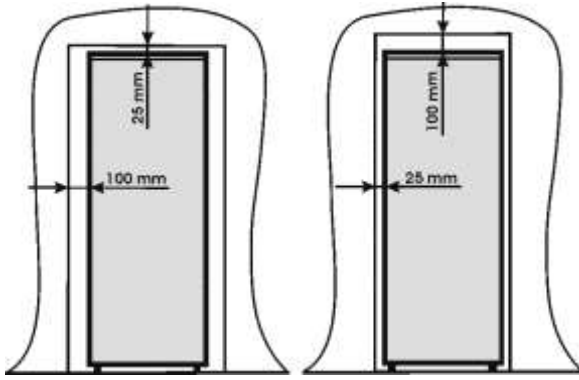
## SK Index

Bezpečnosť nadovšetko /56  
Elektrické požiadavky /57  
Prepravné pokyny; Inštaláčnne pokyny /57  
Riadenie a nastavenie teploty /58  
Pred uvedením do prevádzky /58  
Prevádzka ovládacieho panela /59  
Funkcia rýchleho zmrazenia /59  
Skladovanie zmrazených potravín /59  
Mrazenie čerstvých potravín; Tvorba kociek ľadu /60  
Poznávanie spotrebiča; Rozmrazovanie /60  
Čistenie a údržba; Premiestňovanie dverí /61  
Čo sa má a čo sa nesmie robiť /61  
Riešenie problémov /62  
Spotreba energie /62  
Informácie o prevádzkovom hluku /62

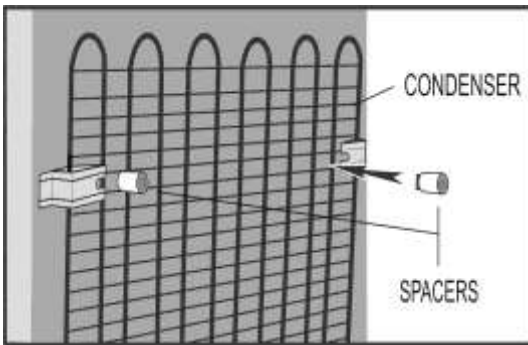
## РУС Содержание

Безопасность прежде всего! /64  
Подключение к электропитанию /65  
Инструкция по транспортировке; Инструкция по установке /65  
Регулировка температуры; Перед началом работы /66  
Панель управления морозильной камеры /67  
Режим быстрой заморозки /67  
Хранение замороженных продуктов /67  
Замораживание свежих продуктов /68  
Замораживание льда; Общие сведения /68  
Размораживание морозильника /68  
Чистка морозильника и уход за ним /69  
Перевешивание двери /69  
Что следует и чего не следует делать /69  
Устранение неисправностей; Энергопотребление /70  
Чему морозильник шумит /71

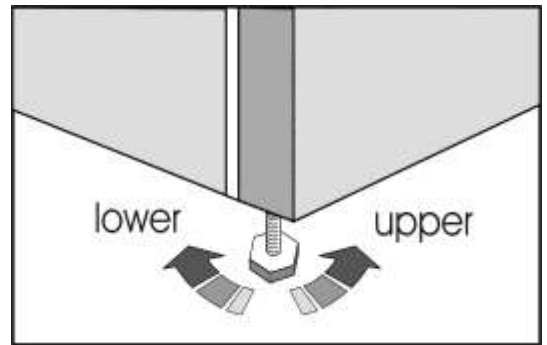




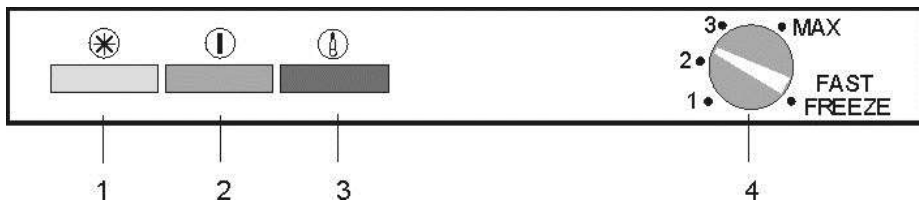
2



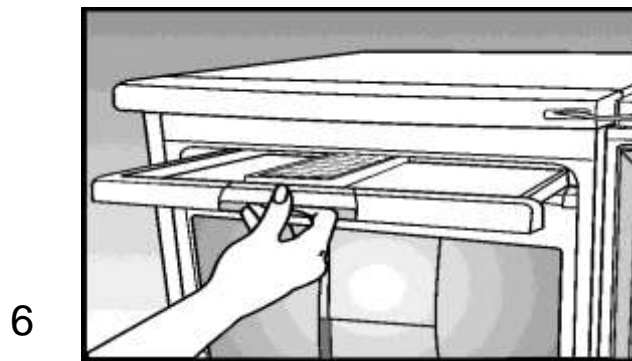
3



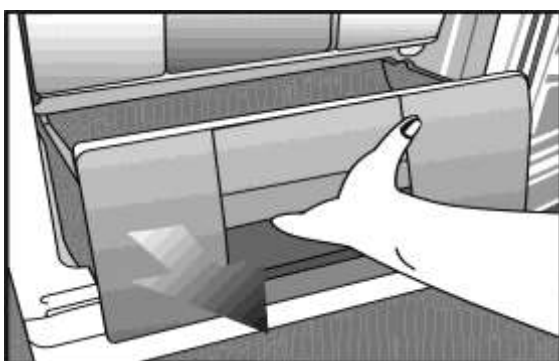
4



5



6

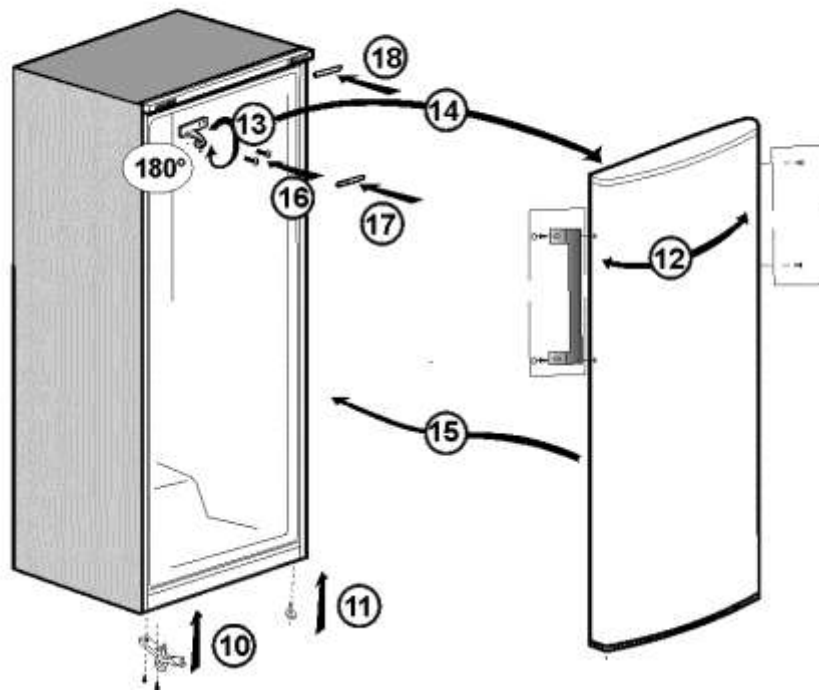
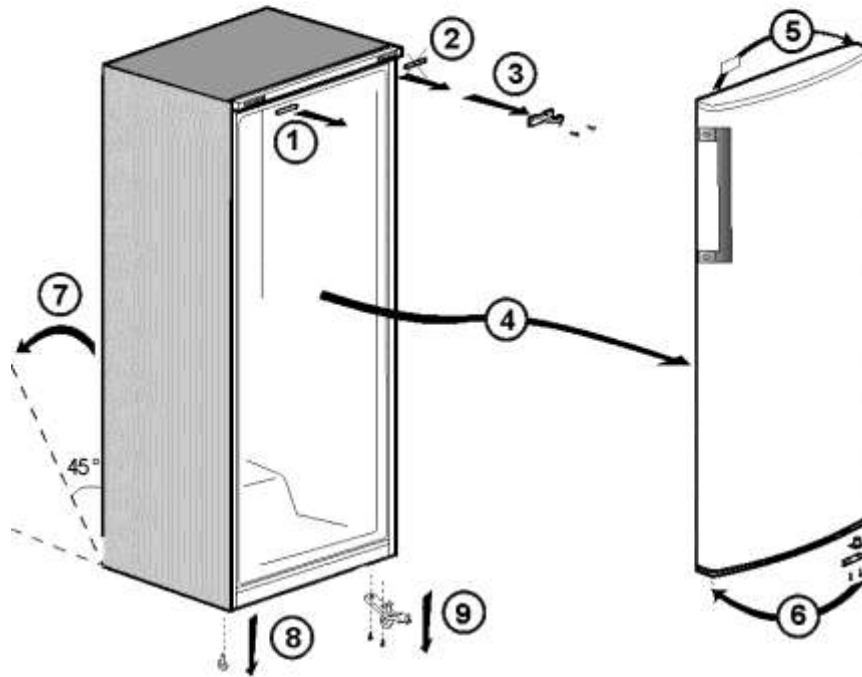
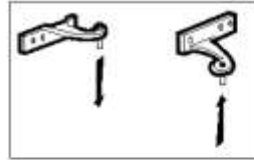


7



8

(13)



Congratulations on your choice of a **BEKO** Quality Appliance, designed to give you many years of service.

### ***Safety first!***

Do not connect your appliance to the electricity supply until all packing and transit protectors have been removed.

- Leave to stand for at least 4 hours before switching on, to allow compressor oil to settle, if transported horizontally.
- If you are discarding an old appliance with a lock or latch fitted to the door, ensure that it is left in a safe condition to prevent the entrapment of children.
- This appliance must only be used for its intended purpose.
- Do not dispose of the appliance on a fire. Your appliance contains non CFC substances in the insulation which are flammable. We suggest you contact your local authority for information on disposal and available facilities.
- We do not recommend use of this appliance in an unheated, cold room. (e.g. garage, conservatory, annex, shed, out-house etc.)

To obtain the best possible performance and trouble free operation from your appliance it is very important to read these instructions carefully. Failure to observe these instructions may invalidate your right to free service during the guarantee period.

Please keep these instructions in a safe place for easy reference.

**This appliance is not intended for use by person with reduced physical, sensory or mental capabilities or lack of experience and knowledge unless they have been given supervision or instruction concerning use of the appliance by a person responsible for their safety.  
Children should be supervised to ensure that they do not play with the appliance.**



## Electrical requirements

Before inserting the plug into the wall socket make sure that the voltage and the frequency shown in the rating plate inside the appliance corresponds to your electricity supply.

We recommend that this appliance is connected to the mains supply via a suitably switched and fused socket in a readily accessible position.

The plug has to be accessible after installation in order to allow disconnection of the appliance from the supply after installation.

### **Warning! This appliance must be earthed.**

Repairs to the electrical equipment may only be made by qualified experts. If the power cable is damaged, the manufacturer or customer service must replace it in order to avoid danger.

### **ATTENTION!**

This appliance operates with R600a which is an environmental friendly but flammable gas. During the transportation and fixing of the product, care must be taken not to damage the cooling system. If the cooling system is damaged and there is a gas leakage from the system, keep the product away from open flame sources and ventilate the room for a while.

**WARNING** - Do not use mechanical devices or other means to accelerate the defrosting process, others than those recommended by the manufacturer.

**WARNING** - Do not damage the refrigerant circuit.

**WARNING** - Do not use electrical appliances inside the food storage compartments of the appliance, unless they are of the type recommended by the manufacturer.

**WARNING** - If the supply cord is damaged, it must be replaced by the manufacturer, its service agent or similarly qualified persons in order to avoid a hazard.

## Transportation instructions

1. The appliance should be transported only in an upright position. The packing as supplied must be intact during transportation.
2. If during the transport the appliance, has been positioned horizontally, it must not be

operated for at least 4 hours, to allow the system to settle.

3. Failure to comply with the above instructions could result in damage to the appliance, for which the manufacturer will not be held liable.

4. The appliance must be protected against rain, moisture and other atmospheric influences.

### **Important!**

- Care must be taken while cleaning/carrying the appliance not to touch the bottom of the condenser metal wires at the back of the appliance, as this could cause injury to fingers and hands.
- Do not attempt to sit or stand on top of your appliance as it is not designed for such use. You could injure yourself or damage the appliance.
- Make sure that the mains cable is not caught under the appliance during and after moving, as this could damage the cable.
- Do not allow children to play with the appliance or tamper with the controls.

## Installation instructions

1. Do not keep your appliance in a room where the temperature is likely to fall below 10 degrees C (50 degrees F) at night and/or especially in winter, as it is designed to operate in ambient temperatures between +10 and +43 degrees C (50 and 109 degrees F). At lower temperatures the appliance may not operate, resulting in a reduction in the storage life of the food.

2. Do not place the appliance near cookers or radiators or in direct sunlight, as this will cause extra strain on the appliance's functions. If installed next to a source of heat or freezer, maintain the following minimum side clearances:

From Cookers 30 mm

From Radiators 300 mm

From Freezers 25 mm

3. Make sure that sufficient room is provided around the appliance to ensure free air circulation (**Item 2**).

- Put the back airing lid to the back of your refrigerator to set the distance between the refrigerator and the wall (**Item 3**).

4. The appliance should be positioned on a smooth surface. The two front feet can be adjusted as required. To ensure that your appliance is standing upright adjust the two front feet by turning clockwise or anti-clockwise, until firm contact is secured with the floor. Correct adjustment of feet prevents excessive vibration and noise (**Item 4**).
5. Refer to "Cleaning and Care" section to prepare your appliance for use.

### **Temperature control and adjustment**

The freezer temperature is influenced by the freezer temperature set button (**recommended are 2 or 3 position**).

Generally, this temperature is below  $-18^{\circ}\text{C}$ . Lower temperatures can be obtained by adjusting the thermostat knob towards position MAX.

We recommend checking the temperature with a thermometer to ensure that the storage compartments are kept to the desired temperature. Remember to take the reading immediately since the thermometer temperature will rise very rapidly after you remove it from the freezer.

Please remember that each time the door is opened cold air escapes and the internal temperature rises. Therefore never leave the door open and ensure it is closed immediately after food is put in or removed.

### **Before operating**

#### **Final Check**

Before you start using the freezer check that:

1. The feet have been adjusted for perfect levelling.
2. The interior is dry and air can circulate freely at the rear.
3. The interior is clean as recommended under "CLEANING AND CARE."
4. The plug is inserted into the wall socket and the electricity supply is switched on. Avoid accidental disconnection by taping over the switch.

#### **And note that:**

5. You will hear a noise as the compressor starts up. The liquid and gases sealed within the refrigeration system may also make some noise, whether the compressor is running or not. This is quite normal.

6. To freeze the fresh foods use the compartment marked with 4 stars (recommended second shelf).

7. Don't put in freezer a too big quantity of foods in the same time. The foods quality is well kept if they are deeply frozen in the shortest time possible. Therefore it is preferable do not exceed the freezing capacity of the appliance shown in "*Appliance record*". The thermostat knob shall be adjusted in order to obtain the lowest temperature inside the freezer, with the fast freeze function activated and the orange lamp lighting.

8. Do not load the appliance immediately it is switched on. Wait until the correct storage temperature has been reached. We recommend that you check the temperature with an accurate thermometer (see; Temperature Control and Adjustment).

#### **Important Note:**

If there is a power failure do not open the door. Frozen food should not be affected if the failure lasts for less than 19 hours. If the failure is longer, then the food should be checked and either eaten immediately or cooked and then re-frozen.

## Freezer control panel

### Item 5

The control panel adjusts the temperature in the freezer and has the following functions:

#### 1 - Orange led - Fast freeze on

When you turn the freezer temperature set button (4) to the „FAST FREEZE” position, the orange led (1) will lit and the appliance will run in lowest temperature conditions. The orange LED stops to lit after 50 hours of running in lowest temperature conditions.

#### 2 - Green led - electricity on (Voltage)

Lights when the appliance is connected to the network and remains lit as long as it is available power supply. LED green does not provide information on temperature inside the freezer.

#### 3 - Red Led - High Temperature Alarm

#### 4 - Setting temperature button

#### High temperature alarm

After the appliance is turned on for the first time the alarm is not active for 12 hours (red led is off).

After this period, red led can lights (red led is on) in the following cases:

- If the appliance is overloaded with fresh food
- If the door is left open by mistake.

In these cases the red led will remain lit until the appliance reached the preset temperature. If the red led is on wait for 24 hours before to announce the authorized service.

#### **Important:**

The temperatures obtained inside can vary according to the conditions of use of the appliance: location, ambient temperature, frequency of door opening, degree of loading with food. The temperature setting will be modified according to these conditions.

If the red led is on wait for 24 hours before to announce the authorized service.

It could be the warm food placed inside the freezer and/or the door who was left open.

In 24 hrs of functioning the allarm for hight temperature (red led) it should be off.

## Fast freeze function

To activate FAST FREEZING function, please adjust the temperature setting knob to „FAST FREEZE” position. It is advised that you place the foodstuffs that you wish to freeze faster in the freezer compartment 24 hours after you activate fast freezing function. While fast freezing is activated, your refrigerator runs at lowest temperature setting for freezer. Fast freeze function lasts for 50 hours. After terminated, your refrigerator reverts to normal use conditions with a temperature setting of 3 even though the knob is still employed at „FAST FREEZE” position. This ecodesign feature provides energy saving when fast freezing function is not cancelled for any reason. Freezing capacity of your refrigerator is measured and declared while fast freezing function is active.

## Storing frozen food

Your freezer is suitable for the long-term storage of commercially frozen foods and also can be used to freeze and store fresh food. If there is a power failure, do not open the door. Frozen food should not be affected if the failure lasts for less than 19 hrs. If the failure is longer, then the food should be checked and either eaten immediately or cooked and then re-frozen.

## Freezing fresh food

Please observe the following instructions to obtain the best results.

Do not freeze too large a quantity at any one time. The quality of the food is best preserved when it is frozen right through to the core as quickly as possible.

If large amounts of fresh food are going to be frozen, adjust the control knob to „FAST FREEZE” position with 24 hours before putting the fresh food in the fast freeze compartment. It is strongly recommended to keep the knob at „FAST FREEZE” position at least 24 hours to freeze maximum amount of fresh food declared as freezing capacity. Take special care not to mix frozen food and fresh food.

Small quantities of food up to 1/2 kg. (1 lb) can be frozen without fast freezer function. Take special care not to mix already frozen food and fresh food.

## **Making ice cubes** (Item 6)

Fill the ice - cube tray 3/4 full with water and place it in the freezer. Loosen frozen trays with a spoon handle or a similar implement; never use sharp-edged objects such as knives or forks.

## **Getting to know your appliance** (Item 1)

- 1 - Control panel, display and adjustment
- 2 - Ice tray support and ice tray
- 3 - Compartment for quickly freezing
- 4 - Compartments for frozen foods keeping
- 5 - Adjustable front feet

## **Defrosting**

Please defrost the freezer compartment at least twice a year or when the ice layer is too thick.

- Ice build-up is a normal phenomenon.
- The ice build-up, especially in the upper side of the compartment is a natural phenomenon and does not affect the good functioning of the appliance.
- It is recommended to defrost the appliance when the quantity of frozen food is not too big.
- Before the defrosting set the adjusting thermostat button on the maximum position in order to strongly freeze the foods. During this time, the temperature in the refrigerator must not be too low.
  - Unplug the appliance
  - Take out the frozen foods, pack them in several paper sheets and put them in a cool place.
  - Let the door open for a quick defrosting and put inside vessels with warm water (max.80°C).

Do not use pointed or sharp-edged objects such as knives or forks to remove the frost. Never use hairdryers, electrical heaters or other such electrical appliances for defrosting. When defrosting has finished, close the defrosting part and dry the interior thoroughly **(Item 7 & 8)**.

## **Cleaning and care**

1. We recommend that you switch off the appliance at the socket outlet and pull out the mains plug before cleaning.
2. Never use any sharp instruments or abrasive substances, soap, household cleaner, detergent or wax polish for cleaning.
3. Use luke warm water to clean the cabinet of the appliance and wipe it dry.
4. Use a damp cloth wrung out in a solution of one teaspoon of bicarbonate of soda to one pint of water to clean the interior and wipe it dry.
5. If the appliance is not going to be used for a long period of time, switch it off, remove all food, clean it and leave the door ajar.
6. We recommend that you polish the metal parts of the product (i.e. door exterior, cabinet sides) with a silicone wax (car polish) to protect the high quality paint finish.
7. Any dust that gathers on the condenser, which is located at the back of the appliance, should be removed once a year with a vacuum cleaner.
8. Check door seals regularly to ensure they are clean and free from food particles.
9. Never:
  - Clean the appliance with unsuitable material; eg petroleum based products.
  - Subject it to high temperatures in any way,
  - Scour, rub etc., with abrasive material.
10. Excess deposit of ice should be removed regularly. Large accumulation of ice will impair the performance of the freezer.
11. To remove a drawer, pull it as far as possible, tilt it upwards and then pull it out completely.

## **Repositioning the door**

Proceed in numerical order **(Item 9)**.

**Do's and don'ts**

- Do-** Check contents of the freezer at regular intervals.
- Do-** Clean and defrost your appliance regularly (See "Defrosting")
- Do-** Keep food for as short a time as possible and adhere to "Best Before" and "Use By" dates.
- Do-** Store commercially frozen food in accordance with the instructions given on the packets.
- Do-** Always choose high quality fresh food and be sure it is thoroughly clean before you freeze it.
- Do-** Prepare fresh food for freezing in small portions to ensure rapid freezing.
- Do-** Wrap frozen food immediately after purchasing and put it in to the freezer as soon as possible.
- Do-** Separate food in the compartments and complete the contents card. This will enable you to find food quickly and avoid excessive door opening, which will save electricity.
- Don't-** Leave the door open for long periods, as this will make the appliance more costly to run and cause excessive ice formation.
- Don't-** Use sharp edged objects such as knives or forks to remove the ice.
- Don't-** Put hot food into the appliance. Let it cool down first.
- Don't-** Put liquid-filled bottles or sealed cans containing carbonated liquids into the freezer, as they may burst.
- Don't-** Store poisonous or any dangerous substances in your appliance. It has been designed for the storage of edible foodstuffs only.
- Don't-** Exceed the maximum freezing loads when freezing fresh food.
- Don't-** Consume ice-cream and water ices direct from the freezer. The low temperature may cause 'freezer burns' on lips.
- Don't-** Freeze fizzy drinks.
- Don't-** Try to keep frozen food which has thawed; it should be eaten within 24 hours or cooked and refrozen.
- Don't-** Remove items from the freezer with wet hands.
- Don't-** Close the door before replacing the fast-freeze compartment cover.

**Troubleshooting**

If the appliance does not operate when switched on, check;

- That the plug is inserted properly in the socket and that the power supply is on. (To check the power supply to the socket, plug in another appliance)
- Whether the fuse has blown/circuit breaker has tripped/main distribution switch has been turned off.
- That the temperature control has been set correctly.
- That the new plug is wired correctly, if you have changed the fitted, moulded plug.

If the appliance is still not operating at all after above checks, contact the dealer from whom you purchased the unit.

Please ensure that above checks have been done, as a charge will be made if no fault is found.

## Energy Consumption

Maximum frozen food storage volume is achieved without using the drawers provided in the freezer. Energy consumption of your appliance is declared while the freezer is fully loaded without using the drawers.


### Practical advice concerning the reduction of the electricity consumption

1. Make sure that the appliance is located in well-ventilated areas, far from any source of heat (cooker, radiator etc.). At the same time, the location of the appliance must be done in such a way that it prevents it to be under the direct incidence of the sunbeams.
2. Make sure that the food purchased in refrigerated/frozen condition is placed into the appliance as soon as possible, especially during summertime. It is recommended to use thermal insulated bags to transport the food home.
3. We recommend reducing the number of door openings to the minimum.
4. Do not keep the door of the appliance open more than necessary and make sure that after each opening the door is well closed.

## Information concerning the noise and the vibrations which might appear during the operation of the appliance

1. The operation noise can increase during the operation.
  - In order to keep the temperatures at the adjusted temperatures, the compressor of the appliance starts periodically. The noise produced by the compressor becomes stronger when it starts and a click can be heard when it stops.
  - The performance and operation features of the appliance can change according to the modifications of the temperature of the ambient environment. They must be considered as normal.
2. Noises like liquids flowing or as being sprayed
  - These noises are caused by the flow of the refrigerant in the circuit of the appliance and comply with the operation principle of the appliance.
3. Other vibrations and noises.
  - The level of noise and vibrations can be caused by the type and the aspect of the floor on which the appliance is placed. Make sure that the floor does not have significant level distortions or if it can yield to the weight of the appliance (it is flexible).
  - Another source of noise and vibrations is represented by the objects placed on the appliance. These objects must be removed from the appliance.



The symbol  on the product or on packaging indicates that this product may not be treated as household waste. Instead it shall be handed over to the applicable collection point for the recycling of electrical and electronic equipment. By ensuring this product is disposed of correctly, you will help prevent potential negative consequences for the environment and human health, which could otherwise be otherwise be caused by inappropriate waste handling of this product. For more detailed information about recycling of this product, please contact your local city office, you household waste disposal service or the shop where you purchased the product.

Nous vous félicitons d'avoir choisi un Appareil de qualité **BEKO** conçu pour vous offrir de nombreuses années de service.

### ***La sécurité d'abord !***

Ne connectez pas votre appareil à l'alimentation électrique avant d'avoir enlevé tous les emballages et protections de transport.

- Attendez au moins 4 heures avant de le brancher pour que l'huile du compresseur se stabilise s'il a été transporté couché.
- Si vous vous débarrassez d'un vieil appareil à ressort ou loquet intégré à la porte, prenez soin de le rendre hors de danger pour éviter que les enfants ne s'enferment à l'intérieur.
- L'utilisation de cet appareil s'applique uniquement à l'usage prévu.
- Ne vous débarrassez pas de l'appareil dans un feu. L'isolation de votre appareil contient des substances non CFC qui sont inflammables. Veuillez contacter les autorités locales pour obtenir des renseignements concernant la mise au rebut et les endroits existants.
- L'utilisation de cet appareil dans une pièce froide, non chauffée n'est pas recommandée. (garage, jardin d'hiver, annexe, abri, remise, etc.)

Afin d'obtenir le meilleur résultat possible et un fonctionnement sans encombres de votre appareil, veuillez lire ces instructions attentivement. Le non-respect de ces instructions pourrait annuler votre droit à l'assistance sans frais pendant la période de garantie.

Veuillez conserver ces instructions soigneusement à titre de référence pratique.

**Cet appareil ne sera pas utilisé par des personnes ayant capacités physiques, sensorielles ou mentales réduites, ou sans expérience concernant l'utilisation de l'appareil, si une personne responsable de leur sécurité ne les a pas instruites pour ce but.**

**Les enfants doivent être surveillés pour avoir la certitude qu'ils ne jouent pas avec l'appareil.**

## Conditions électriques

Avant de brancher l'appareil à la prise murale, vérifiez que la tension et la fréquence indiquées sur la plaque signalétique à l'intérieur de l'appareil correspondent à votre alimentation électrique.

Nous recommandons de connecter cet appareil au réseau électrique par le biais d'une prise dotée d'un commutateur et d'un fusible et placée de façon à être facile d'accès.

La prise doit être accessible après l'installation afin de permettre le débranchement de l'appareil du secteur.

### **Avertissement ! Cet appareil doit être branché à une borne de mise à la terre.**

Les réparations de l'appareillage électrique doivent être réalisées par des techniciens qualifiés. Si le câble d'alimentation est endommagé, il doit être remplacé par le constructeur ou le service clientèle afin d'écartier tout danger.

### **ATTENTION !**

Cet appareil fonctionne avec du R600a, un gaz qui contribue à la protection de l'environnement mais qui est inflammable. Pendant le transport et l'installation du produit, veillez à ne pas endommager le système réfrigérant. Si le système réfrigérant est abîmé et qu'une fuite de gaz se produit, tenez l'appareil à l'écart des sources de flammes vives et aérer bien la pièce.

**AVERTISSEMENT** - N'utilisez pas d'outils mécaniques ou autres moyens pour accélérer le processus de décongélation autres que ceux qui sont recommandés par le fabricant.

**AVERTISSEMENT**- N'abîmez pas le circuit réfrigérant.

**AVERTISSEMENT**- Ne faites pas fonctionner d'appareils électriques à l'intérieur des compartiments de conservation de denrées, à moins qu'ils soient conformes au type d'appareils recommandés par le fabricant.

**AVERTISSEMENT**- Si le cordon d'alimentation est endommagé, celui-ci doit être remplacé par le fabricant, ses agents agréés ou tout autre agent qualifié afin d'être à l'abri de tout danger.

## Instructions de transport

1. L'appareil doit être transporté en position

debout uniquement. L'emballage fourni doit rester intact pendant le transport.

2. Si l'appareil a été couché pendant le transport, il ne doit pas être mis en service pendant au moins 4 heures pour permettre au système de se stabiliser.

3. Le non-respect des instructions ci-dessus pourrait endommager l'appareil et ne saurait engager la responsabilité du fabricant.

4. L'appareil doit être protégé contre la pluie, l'humidité et autres conditions atmosphériques.

### **Important !**

- Lors du nettoyage/déplacement de l'appareil, prenez soin de ne pas toucher les câbles métalliques du condenseur au dos de l'appareil, cela pouvant occasionner des blessures aux doigts et aux mains.
- N'essayez pas de vous asseoir ou de vous monter sur l'appareil, celui-ci n'étant pas prévu à cet effet. Vous pourriez vous blesser ou endommager l'appareil.
- Assurez-vous que le câble d'alimentation ne soit pas coincé sous l'appareil pendant et après son déplacement car cela pourrait endommager le câble.
- Veillez à ce que les enfants ne jouent pas avec l'appareil et ne touchent pas aux commandes.

## Instructions d'installation

1. N'installez pas votre appareil dans une pièce dont la température peut descendre en dessous de 10 degrés Celsius (50 degrés Fahrenheit) la nuit et/ou particulièrement en hiver. En effet, il est conçu pour fonctionner à des températures ambiantes comprises entre +10 et +43 degrés Celsius (50 et 109 degrés Fahrenheit). En cas de températures inférieures, l'appareil peut ne pas fonctionner correctement et réduire ainsi la durée de conservation des denrées.

2. Ne placez pas l'appareil à proximité de cuisinières, radiateurs ou à la lumière directe du soleil, car cela entraînerait un effort supplémentaire des fonctions de l'appareil. S'il est installé à côté d'une source de chaleur ou d'un congélateur, respectez les dégagements latéraux minimum suivants :

- des Cuisinières 30 mm
- des Radiateurs 300 mm
- des Congélateurs 25 mm



3. Assurez-vous de laisser suffisamment d'espace autour de l'appareil pour que l'air puisse circuler librement (**figure 2**).

• Placez la grille d'aération au dos de votre réfrigérateur pour établir la distance nécessaire entre le réfrigérateur et le mur (**figure 3**).

4. L'appareil doit être posé sur une surface lisse. Les deux pieds avant peuvent se régler si nécessaire. Pour s'assurer que votre appareil est à niveau, ajustez les deux pieds avant en tournant dans le sens des aiguilles d'une montre ou dans le sens inverse jusqu'à ce que l'appareil soit bien calé au sol. Le réglage approprié des pieds évite les vibrations excessives et le bruit (**figure 4**).

5. Référez-vous à la section « Nettoyage et Entretien » pour préparer votre appareil à l'emploi.

### **Commande de température et réglage**

La température du congélateur dépend de la position du bouton de réglage de la température du congélateur (**il est recommandé de le placer sur 2 ou 3**).

Généralement, cette température est inférieure à -18°C. Vous pouvez obtenir des températures plus basses en ajustant la commande du thermostat dans la direction de la Position MAX.

Nous vous conseillons de vérifier la température avec un thermomètre pour s'assurer que les compartiments de conservation soient maintenus à la température souhaitée. Pensez à lire la température sur le thermomètre immédiatement comme elle montera très rapidement après l'avoir sorti du congélateur. Veuillez vous rappeler que l'air froid s'échappe et la température interne monte à chaque ouverture de la porte. Ne laissez donc jamais la porte ouverte et assurez-vous de la fermer immédiatement après avoir introduit ou sorti des denrées.

### **Avant l'utilisation**

#### **Vérification finale**

Avant de commencer à utiliser le congélateur, vérifiez que :

1. Les pieds ont été ajustés et sont parfaitement à niveau.
2. L'intérieur est sec et l'air peut circuler librement derrière l'appareil.

3. L'intérieur est propre comme l'indique la section « NETTOYAGE ET ENTRETIEN ».

4. La prise de l'appareil est branchée à la prise murale et le courant passe. Évitez une coupure accidentelle en collant du ruban adhésif sur la prise.

#### **Et notez que :**

5. Vous remarquerez un bruit lorsque le compresseur se met en marche. Le liquide et les gaz intégrés au système du réfrigérateur peuvent également faire du bruit, que le compresseur soit en marche ou non. Ceci est tout à fait normal.

6. Pour congeler les produits frais, utilisez le compartiment indiqué par 4 étoiles (il est recommandé de le placer sur le second tiroir).

7. N'introduisez pas une trop grande quantité de denrées dans le congélateur à la fois. La qualité des denrées est bien préservée si elles sont entièrement congelées aussi rapidement que possible. Il est donc conseillé de ne pas dépasser le pouvoir de congélation de l'appareil indiqué sur la plaque signalétique. Le thermostat doit être réglé de façon à obtenir la température la plus basse dans le congélateur, le bouton de congélation rapide doit être activé et le témoin jaune doit clignoter.

8. Ne remplissez pas l'appareil immédiatement après l'avoir branché. Attendez que la bonne température de conservation soit atteinte. Nous vous conseillons de vérifier la température à l'aide d'un thermomètre précis (voir Commande de Température et Réglage).

#### **Remarque importante :**

En cas de panne de courant, n'ouvrez pas la porte. Les denrées surgelées ne devraient pas s'abîmer si la coupure dure moins de 19 heures. Si la panne dure plus longtemps, inspectez les denrées et mangez-les immédiatement ou bien faites-les cuire puis congélez-les à nouveau.

## **Bandeau de commande du congélateur**

### **Figure 5**

Le bandeau de commande contrôle la température du congélateur et dispose des fonctions suivantes :

#### **1 - LED orange - Congélation rapide active**

Lorsque vous tournez la molette de réglage de la température du congélateur en position "CONGÉLATION RAPIDE" (bouton 4), le LED orange (1) s'éclairera et l'appareil fonctionnera avec la température la plus basse. Le LED s'éteindra après 50 heures de fonctionnement de l'appareil en mode basse température.

#### **2 - LED verte - alimentation (tension)**

S'allume lorsque l'appareil est connecté au secteur et reste allumé tant qu'il est alimenté en électricité. La LED verte ne fournit aucune information sur la température à l'intérieur du congélateur.

#### **3 - LED rouge - Alarme de température élevée**

#### **4 - Bouton de réglage de fonctionnement**

##### **Alarme de température élevée**

Lorsque l'appareil a été allumé pour la première fois, l'alarme n'est pas active pendant 12 heures (la LED rouge est éteinte). Après cette période, la LED rouge peut s'allumer dans les cas suivants :

- Si l'appareil est surchargé de produits frais.
- Si la porte a été laissée ouverte par mégarde.

Dans ces cas, la LED rouge restera allumée jusqu'à ce que l'appareil atteigne la température prédéfinie.

Si la LED rouge est allumée, attendez 24 heures avant de contacter le service après vente agréé.

##### **Important :**

Les températures obtenues peuvent varier selon les conditions d'utilisation de l'appareil : emplacement, température ambiante, fréquence d'ouverture de la porte, quantité de denrées introduites. Le réglage de la température sera modifié en fonction de ces conditions.

Si la LED rouge est allumée, attendez 24 heures avant de contacter le service après vente agréé.

Des aliments chauds ont pu être introduits dans le congélateur et/ou la porte a été laissée ouverte.

Au bout de 24 heures, le voyant d'alerte de haute température (LED rouge) devrait s'éteindre.

#### **Fonction de congélation rapide**

Pour activer la fonction CONGÉLATION RAPIDE, veuillez positionner la molette de réglage de la température sur le mode "CONGÉLATION RAPIDE". Il est conseillé de ranger les aliments dont vous souhaitez une congélation rapide dans le compartiment de votre congélateur, 24 heures après que la fonction congélation rapide ait été activée. Aussi longtemps que la fonction congélation rapide est activée, votre réfrigérateur fonctionnera en mode température minimum pour le congélateur. La fonction congélation rapide dure 50 heures maximum. Une fois le processus achevé, votre réfrigérateur fonctionnera à nouveau sur un mode normal, avec un réglage de la température sur 3, et ce, même si la molette est toujours positionnée sur "CONGÉLATION RAPIDE". Cette approche d'écoconception a l'avantage d'économiser de l'énergie, au cas où vous omettriez de désactiver la fonction de congélation rapide. La capacité de congélation de votre réfrigérateur est mesurée et déclarée lorsque la fonction de congélation rapide est active.

#### **Conservation des denrées surgelées**

Votre congélateur est destiné à la conservation à long terme d'aliments surgelés du commerce et peut servir également à congeler et conserver des produits frais.

En cas de panne de courant, n'ouvrez pas la porte. Les denrées surgelées ne devraient pas s'abîmer si la coupure dure moins de 19 heures. Si la coupure est plus longue, inspectez les denrées et mangez-les immédiatement ou bien faites-les cuire puis congeler-les à nouveau.

## **Congeler les produits frais**

Veillez respecter les instructions suivantes afin d'obtenir les meilleurs résultats. Ne congelez pas une quantité trop importante à la fois. La qualité des aliments est préservée de façon optimale lorsqu'ils sont entièrement congelés aussi rapidement que possible.

Si vous vous apprêtez à congeler de grandes quantités de produits frais, positionnez le bouton de réglage sur le mode CONGÉLATION RAPIDE, 24 heures avant de ranger les produits frais dans le compartiment de congélation rapide.

Nous vous recommandons fortement de laisser la touche de congélation sur la position CONGÉLATION RAPIDE pendant au moins 24 heures pour congeler un volume maximal de produits frais correspondant au pouvoir de congélation stipulé. Faites très attention de ne pas mélanger les produits congelés avec les produits frais.

De petites quantités de nourriture ne dépassant pas 0,5 kg (1 lb) peuvent être congelées sans la fonction de congélation rapide.

Faites particulièrement attention à ne pas mélanger les produits déjà congelés et les produits frais.

## **Fabrication de glaçons (Figure 6)**

Remplissez les bacs à glaçons d'eau jusqu'aux  $\frac{3}{4}$  et introduisez les dans le congélateur. Dégagez les bacs à glaçons à l'aide du manche d'une cuillère ou outil similaire, n'utilisez jamais d'objets tranchants tels que des couteaux ou fourchettes.

## **Apprendre à connaître votre appareil (Figure 1)**

- 1 - Bandeau de commande, affichage et réglage
- 2 - Bac à glaçons et support
- 3 - Compartiment de congélation rapide
- 4 - Compartiment de conservation des denrées surgelées
- 5 - Pieds avant réglables

## **Dégivrage**

Veillez dégivrer le compartiment congélateur au moins deux fois par an ou lorsque la couche de glace est trop épaisse.

- La formation de glace est un phénomène normal.
- La formation de glace, notamment dans le compartiment supérieur, est normale et n'affecte pas le fonctionnement de l'appareil.
- Il est conseillé de dégivrer l'appareil lorsque la quantité de denrées surgelées n'est pas trop importante.
- Avant de procéder au dégivrage, réglez la commande du thermostat sur la position maximale de façon à bien congeler les denrées. Au cours de cette période, la température dans le réfrigérateur ne doit pas être trop basse.
- Débranchez l'appareil
- Sortez les denrées surgelées, enveloppez-les dans plusieurs feuilles de papier et mettez-les dans un endroit frais.
- Laissez la porte ouverte pour accélérer le dégivrage et introduisez des récipients d'eau chaude (80°C maximum).

N'utilisez pas d'objets pointus ou tranchants tels que couteaux ou fourchettes pour enlever le givre.

N'utilisez jamais de sèche-cheveux, radiateurs électriques ou autres appareils électriques similaires pour dégivrer. Une fois le dégivrage terminé, séchez soigneusement l'intérieur

**(Figure 7 et 8).**

## **Nettoyage et entretien**

1. Avant de procéder au nettoyage, veuillez déconnecter le réfrigérateur et débrancher la prise d'alimentation.
2. N'utilisez jamais d'ustensiles tranchants ni de substances abrasives, savon, produit de nettoyage domestique, détergent ou cirage pour le nettoyer.
3. Utilisez de l'eau tiède pour nettoyer la carrosserie et séchez soigneusement à l'aide d'un chiffon.
4. Utilisez un chiffon humide imbibé d'une solution composée d'une cuillère à café de bicarbonate de soude pour un demi litre d'eau pour nettoyer l'intérieur et séchez soigneusement.
5. En cas de non utilisation de l'appareil pendant une période prolongée, débranchez-le, sortez toutes les denrées, nettoyez-le et laissez la porte entrouverte.
6. Il est recommandé de polir les parties métalliques de votre appareil (extérieur de la porte, parois latérales de la carrosserie) à l'aide d'une cire en silicone (cire pour voiture) pour protéger la surface peinte de qualité supérieure.
7. Dépoussiérez le condenseur situé à l'arrière de l'appareil une fois par an à l'aide d'un aspirateur.
8. Inspectez les joints de porte régulièrement pour vérifier qu'ils sont propres et qu'il n'y a pas de particules de nourriture.
9. Ne jamais :
  - Nettoyer l'appareil au moyen d'un produit inadapté, à base de pétrole par exemple.
  - L'exposer à de hautes températures en aucune façon.
  - Récuser, frotter etc. avec un matériau abrasif.
10. Le dépôt excessif de glace doit être enlevé régulièrement. Une couche de glace trop épaisse diminuera les résultats du congélateur.
11. Pour sortir un tiroir, tirez-le vers vous autant que possible, soulevez-le et retirez-le ensuite complètement.

## **Repositionnement de la porte**

Procédez dans l'ordre numérique (**figure 9**).

## **À faire / À éviter**

- À faire-** Inspecter le contenu du congélateur à intervalles réguliers.
- À faire-** Nettoyer et dégivrer votre appareil régulièrement (voir « Dégivrage »).
- À faire-** Conserver les denrées pendant une durée aussi courte que possible et respecter les « dates limite de conservation » et « dates limite de consommation ».
- À faire-** Stocker les aliments surgelés dans le commerce selon les instructions indiquées sur les emballages.
- À faire-** Toujours Sélectionner des produits frais de bonne qualité et veiller à les nettoyer soigneusement avant de les congeler.
- À faire-** Préparer de petites portions de produits frais à congeler pour permettre une congélation rapide.
- À faire-** Emballer les produits surgelés juste après les avoir achetés et les mettre au congélateur dès que possible.
- À faire-** Répartir les denrées dans les compartiments et remplir la carte du contenu. Cela vous permettra de trouver les aliments rapidement et d'éviter d'ouvrir la porte trop longtemps, ce qui économisera de l'électricité.

- À éviter-** Laisser la porte ouverte pendant une durée prolongée car cela augmentera le coût de fonctionnement de l'appareil et entraînera un dépôt excessif de glace.
- À éviter-** Utiliser des objets tranchants tels que couteaux ou fourchettes pour enlever la glace.
- À éviter-** Introduire des aliments chauds dans l'appareil. Le laisser refroidir au préalable.
- À éviter-** Mettre des bouteilles remplies de liquide ou cannettes fermées hermétiquement contenant des liquides gazeux au congélateur car elles pourraient éclater.
- À éviter-** Conserver des substances toxiques ou dangereuses dans l'appareil. Ce dernier a été conçu pour la conservation de denrées alimentaires uniquement.
- À éviter-** Dépasser le pouvoir de congélation maximal lors de la congélation de produits frais.
- À éviter-** Consommer de la glace et des bâtonnets glacés dès leur sortie du congélateur. La basse température peut provoquer des brûlures aux lèvres.
- À éviter-** Congeler des boissons gazeuses.
- À éviter-** Conserver un produit congelé qui a été dégelé ; il doit être consommé sous 24 heures ou bien cuit puis recongelé.
- À éviter-** Sortir des produits du congélateur avec les mains mouillées.
- À éviter-** Fermer la porte avant de remettre le couvercle du compartiment congélation rapide en place.

### **Diagnostic**

Si l'appareil ne fonctionne pas quand il est branché, vérifiez :

- Que la prise de l'appareil est branchée correctement à la prise murale et que le courant passe (pour vérifier l'alimentation à la prise murale, branchez un autre appareil)
- Si le fusible a sauté/le disjoncteur s'est déclenché/l'interrupteur du réseau d'alimentation est éteint.
- Que la commande de température soit réglée correctement.
- Que la nouvelle prise soit montée correctement si vous avez changé la prise moulée intégrée.

Si l'appareil ne fonctionne toujours pas après avoir effectué toutes les vérifications ci-dessus, contactez le fournisseur qui vous a vendu le produit.

Veillez vous assurer d'avoir effectué toutes les vérifications ci-dessus car vous serez facturés si aucun défaut n'est détecté.

### Consommation énergétique

Vous pouvez conserver le maximum d'aliments congelés sans recourir aux étagères du congélateur. La consommation énergétique de votre appareil est enclenchée alors que le congélateur est entièrement chargé sans utiliser les étagères.

### Conseil pratique concernant la réduction de la consommation électrique

1. Veillez à ce que l'appareil se trouve dans un espace bien aéré, loin d'une éventuelle source de chaleur (cuisinière, radiateur, etc.). Parallèlement, le choix de l'emplacement de l'appareil doit se faire de façon à éviter qu'il se trouve exposé aux rayons directs du soleil.
2. Veillez à ce que les denrées déjà réfrigérées/congelées au moment de leur achat soient introduites dans l'appareil le plus tôt possible, surtout pendant l'été. Nous vous conseillons d'utiliser des sacs à isolation thermique pour conserver vos denrées d'un réfrigérateur/congélateur à un autre.
3. Nous vous recommandons d'ouvrir la porte de la machine le moins de fois possible.
4. Évitez de laisser inutilement la porte de l'appareil ouverte et veillez à ce que celle-ci soit bien fermée après chaque ouverture.

### Informations concernant les bruits et les vibrations susceptibles de se produire pendant le fonctionnement de l'appareil

1. Les bruits peuvent augmenter pendant le fonctionnement de l'appareil.
  - Afin de maintenir les températures au niveau de la valeur réglée, le compresseur de l'appareil démarre de manière périodique. Les bruits émis par le compresseur deviennent plus importants lorsqu'ils commencent et un clic se fait entendre au moment où ils s'arrêtent.
  - Les fonctions de performance et de fonctionnement de l'appareil peuvent varier en fonction des modifications de la température et de l'environnement ambiant. Ces phénomènes sont tout à fait normaux.
2. Bruits semblables à ceux d'un écoulement ou d'une vaporisation de liquide
  - Ces bruits sont provoqués par l'écoulement du réfrigérant à l'intérieur du circuit de l'appareil et sont en conformité avec le principe de fonctionnement de l'appareil.
3. Autres vibrations et bruits.
  - Le niveau de bruits et de vibrations peut être provoqué par le type et l'aspect du sol sur lequel l'appareil est installé. Assurez-vous que le sol sur lequel l'appareil est installé est à niveau et peut supporter le poids de l'appareil (flexible).
  - Une autre source de bruits et de vibrations peut être constituée par les objets placés sur l'appareil. Ces objets doivent en effet être posés ailleurs que sur l'appareil

#### Recyclage



Ce produit est marqué du symbole du tri sélectif, relatif aux déchets d'équipements électriques et électroniques. Cela signifie que ce produit doit être pris en charge par un système de collecte sélectif conformément à la directive européenne 2002/96/CE, afin de pouvoir être recyclé ou démantelé dans le but de réduire tout impact sur l'environnement. Attention les produits électroniques n'ayant pas fait l'objet d'un tri sélectif sont potentiellement dangereux pour l'environnement et la santé humaine en raison de la présence potentielle de substances dangereuses.

Herzlichen Glückwunsch zu Ihrer Wahl eines **BEKO** Qualitätsgerätes, das Ihnen ganz sicher viele Jahre lang gute Dienste leisten wird.

### ***Wichtige Hinweise zu Ihrer Sicherheit***

Schließen Sie Ihr Gerät nicht an die Stromversorgung an, solange nicht alle Verpackungsmaterialien und Transportsicherungen entfernt wurden.

- Wenn der Transport in waagerechter Lage durchgeführt wurde, lassen Sie das Gerät mindestens 4 Stunden stehen, ehe Sie es einschalten, damit sich das Kompressoröl setzen kann.
- Wenn Sie ein altes Gerät mit einem Schloss oder Sperrklinke an der Tür ausrangieren, stellen Sie sicher, dass Kinder nicht eventuell in das Gerät klettern und eingeschlossen werden können.
- Dieses Gerät darf nur für den vorgesehenen Verwendungszweck genutzt werden.
- Entsorgen Sie das Gerät nicht durch Verbrennen. Die Isolierung Ihres Gerätes enthält brennbare Substanzen (FCKW-frei). Ihre örtlichen Behörden informieren Sie über die verfügbaren Entsorgungsmöglichkeiten und -einrichtungen.
- Wir raten von einer Nutzung dieses Gerätes in unbeheizten und kalten Räumen ab. (z. B. in Garagen, Kühlhäusern, Anbauten, Lagerhäusern, Außengebäuden, usw.)

Um eine bestmögliche Leistung und einen problemlosen Betrieb Ihres Gerätes zu gewährleisten, ist es sehr wichtig, dass Sie die Bedienungsanleitung sorgfältig durchlesen und das Gerät entsprechend bedienen. Tun Sie dies nicht, können Sie Ihr Anrecht auf kostenlosen Service während der Garantiezeit verlieren.

Bitte verwahren Sie diese Bedienungsanleitung an einem sicheren Ort, damit Sie jederzeit darin nachlesen können.

**Dieses Gerät ist nicht dafür bestimmt durch Personen (einschließlich Kinder) mit eingeschränkten physischen, sensorischen oder geistigen Fähigkeiten oder mangels Erfahrung und/oder mangels Wissen benutzt zu werden, es sei denn, sie werden durch eine für ihre Sicherheit zuständige Person beaufsichtigt oder erhalten von ihr Anweisungen, wie das Gerät zu benutzen ist.**

## Elektrischer Anschluss

Ehe Sie den Stecker in die Steckdose einstecken, kontrollieren Sie bitte, ob die auf dem Typenschild im Innenraum des Gerätes angegebene Spannung und Frequenz mit Ihrer Stromversorgung übereinstimmt. Wir empfehlen, dieses Gerät über eine entsprechend gesicherte und mit einem Schalter versehene Steckdose in leicht erreichbarer Lage mit der Stromversorgung zu verbinden.

Der Stecker muss auch nach der Installation stets zugänglich bleiben, damit das Gerät jederzeit von der Stromversorgung getrennt werden kann.

### **Warnung! Dieses Gerät muss geerdet werden.**

Reparaturen an Elektrogeräten dürfen nur von qualifizierten Fachleuten ausgeführt werden. Falls das Stromkabel beschädigt sein sollte, muss es vom Hersteller oder vom Kundendienst ersetzt werden, damit es nicht zu Gefährdungen kommen kann.

### **ACHTUNG!**

Dieses Gerät arbeitet mit R600a, welches ein umweltfreundliches, aber brennbares Gas ist. Während des Transports und der Aufstellung des Geräts muss darauf geachtet werden, dass das Kühlsystem nicht beschädigt wird. Wenn das Kühlsystem beschädigt wird und Gas aus dem System austritt, halten Sie das Gerät von offenen Flammen fern und lüften Sie den Raum für einige Zeit.

**WARNUNG-** Verwenden Sie außer der vom Hersteller empfohlenen, keine mechanischen oder anderen Hilfsmittel um den Abtauprozess zu beschleunigen.

**WARNUNG-** Beschädigen Sie den Kühlkreislauf nicht.

**WARNUNG** - Verwenden Sie im Lebensmittelaufbewahrungsbereich ihres Geräts nur vom Hersteller empfohlene elektrische Geräte.

**WARNUNG** - Wenn die Netzanschlussleitung dieses Gerätes beschädigt wird, muss sie durch den Hersteller oder seinen Kundendienst oder eine ähnlich qualifizierte Person ersetzt werden, um Gefährdungen zu vermeiden.

## Transporthinweise

1. Das Gerät sollte nur in aufrechter Position transportiert werden. Die Originalverpackung muss während des gesamten Transports unbeschädigt bleiben.
2. Wenn das Gerät in einer horizontalen Lage transportiert wurde, darf es erst 4 Stunden nach Aufstellung in Betrieb genommen werden, um dem System die Möglichkeit zur Stabilisierung zu geben.
3. Bei Nichteinhaltung der obigen Hinweise können Schäden am Gerät auftreten, für die der Hersteller nicht haftbar gemacht werden kann.
4. Das Gerät muss vor Regen, Feuchtigkeit und anderen atmosphärischen Einflüssen geschützt werden.

### **Wichtig!**

- Achten Sie darauf, nicht die Unterseite der metallischen Kondensatordrähte an der Rückseite des Geräts zu berühren, wenn Sie das Gerät reinigen oder bewegen, da Sie sich Finger und Hände verletzen könnten.
- Versuchen Sie nicht auf dem Gerät zu sitzen oder zu stehen, es ist nicht für eine solche Verwendung ausgerichtet. Sie könnten sich verletzen oder das Gerät beschädigen.
- Stellen Sie sicher, dass das Gerät während oder nach einem Ortswechsel nicht auf dem Stromkabel steht, da sonst das Kabel beschädigt werden könnte.
- Gestatten Sie Kindern nicht, mit dem Gerät oder den Gerätekontrollen zu spielen.

## Aufstellen des Gerätes

1. Stellen Sie das Gerät nicht in Räumen auf, in welchen die Raumtemperatur während der Nacht oder speziell im Winter unter 10 °C fallen könnte, da es darauf ausgerichtet ist, bei Umgebungstemperaturen von +10 bis +43 °C zu arbeiten. In Umgebungen mit geringerer Temperatur arbeitet das Gerät möglicherweise nicht; dadurch wird die Haltbarkeit eingelagerter Lebensmittel reduziert.
2. Stellen Sie das Gerät nicht in der Nähe von Herden, Heizungen oder an Stellen mit direkter Sonneneinstrahlung auf, da dies eine zusätzliche Belastung für das Gerät bedeutet. Bei Aufstellung neben Wärme- oder Kältequellen halten Sie die nachfolgend



angegebenen Mindestseitenabstände ein:

Von Kochherden: 30 mm

Von Heizungen: 300 mm

Von Kühlgeräten: 25 mm

3. Stellen Sie sicher, dass um das Gerät herum genügend Raum ist, um ungehinderte Luftzirkulation zu garantieren (**Stück 2**).

• Legen Sie die hintere Kühlklappe an die Rückseite ihres Kühlschranks an um so die Entfernung zwischen Kühlschrank und Mauer festzulegen (**Stück 3**).

4. Das Gerät sollte auf einer ebenen Fläche stehen. Die beiden Füße an der Frontseite können nach Bedarf adjustiert werden. Um Sicherzustellen, dass ihr Gerät gerade steht, adjustieren Sie die beiden Füße an der Frontseite im Uhrzeigersinn oder gegen diesen, bis ein guter Bodenkontakt gegeben ist. Eine korrekte Einstellung der Füße verhindert starke Vibrationen und Geräusche (**Stück 4**).

5. Zur Vorbereitung ihres Geräts auf die Benutzung lesen Sie den Abschnitt "Reinigung und Pflege".

### **Temperaturkontrolle und -Einstellung**

Die Temperatur des Tiefkühlbereiches wird durch die Gefriertemperaturtaste beeinflusst; **wir empfehlen die Positionen 2 oder 3.**

Diese Temperatur liegt generell unter -18 °C. Sie können noch tiefere Temperaturen erreichen, indem Sie den Thermostatknopf zur Position MAX. hin drehen.

Wir empfehlen, die Temperatur mit einem Thermometer zu überprüfen – so können Sie sicher sein, dass in den Ablagen die gewünschte Temperatur herrscht. Denken Sie daran, das Thermometer sofort abzulesen, da die angezeigte Temperatur sehr schnell ansteigt, sobald Sie das Thermometer aus dem Kühlgerät nehmen.

Bitte vergessen Sie nicht, dass bei jedem Öffnen der Tür kalte Luft aus dem Inneren entweicht und dadurch die Temperatur im Gerät ansteigt. Lassen Sie die Tür daher nie offen stehen und schließen Sie sie sofort wieder, nachdem Sie Lebensmittel hineingestellt oder herausgenommen haben.

### **Vor der Inbetriebnahme**

#### **Endkontrolle**

Ehe Sie Ihr Kühlgerät in Betrieb nehmen, überprüfen Sie bitte, dass:

1. Die Füße zwecks perfektem Stand adjustiert wurden.
2. Der Innenraum trocken ist und die Luft an der Rückseite frei zirkulieren kann.
3. Der Innenraum entsprechend der Hinweise im Abschnitt „Reinigung und Pflege“ gereinigt wurde.
4. Der Stecker in die Steckdose eingesteckt wurde und der Strom eingeschaltet ist. Geben Sie Acht, das Gerät nicht aus Versehen durch Überkleben des Schalters auszuschalten.

#### **Und beachten Sie, dass:**

5. Sie ein Geräusch hören, wenn sich der Kompressor einschaltet. Auch die im Kühlsystem befindlichen Flüssigkeiten und Gase können Geräusche verursachen, egal, ob der Kompressor läuft oder nicht. Dies ist völlig normal.
6. Zum Einfrieren frischer Lebensmittel benutzen Sie das mit vier Sternen gekennzeichnete Fach; wir empfehlen die zweite Ablage.
7. Geben Sie nicht zu viele Lebensmittel gleichzeitig in das Gefriergerät. Die Qualität der Lebensmittel bleibt am besten erhalten, wenn sie in möglichst kurzer Zeit tiefgefroren werden. Daher sollten Sie darauf achten, die im Datenblatt zum Gerät angegebene Gefrierkapazität nicht zu überschreiten. Das Thermostat sollte auf die geringste Innentemperatur eingestellt, die Schnellgefriertaste gedrückt werden – die gelbe Leuchte leuchtet auf.
8. Beladen Sie das Gerät nicht gleich nach dem Einschalten. Warten Sie, bis die richtige Lagerungstemperatur erreicht ist. Wir empfehlen, die Temperatur mit einem präzisen Thermometer zu kontrollieren (siehe „Temperaturkontrolle und -Einstellung“).

**Wichtiger Hinweis:**

Bei Stromausfall halten Sie die Gerätetür geschlossen. Gefrorene Lebensmittel sollten keinen Schaden nehmen, wenn der Ausfall nicht länger als 19 Stunden andauert. Falls der Ausfall länger andauern sollte, so sollten Sie die Lebensmittel überprüfen und entweder sofort verzehren, oder kochen und danach erneut einfrieren.

**Tiefkühlbereich-Bedienfeld****Abbildung 5**

Über das Bedienfeld stellen Sie die Tiefkühltemperatur ein; es bietet noch einige weitere Funktionen:

**1 - Orange LED - Schnellgefrieren läuft**

Wenn Sie den Temperatureinstellknopf (4) auf die Schnellgefrieren-Position einstellen, leuchtet die orange LED (1) auf, das Gerät erreicht die geringstmögliche Temperatur. Nach 50 Stunden Betrieb bei geringster Temperatur erlischt die orange LED.

**2 - Grüne LED - Stromversorgung hergestellt**

Leuchtet, solange das Gerät mit Strom versorgt wird. Die grüne LED informiert nicht über die Innentemperatur.

**3 - Rote LED - Hochtemperaturalarm****4 - Temperatureinstelltaste****Hochtemperaturalarm**

In den ersten 12 Stunden nach dem Einschalten wird dieser Alarm nicht ausgelöst. Nach Ablauf dieser Zeit kann die rote LED in folgenden Fällen aufleuchten:

- Falls das Gerät mit frischen Lebensmitteln überladen wurde.
- Falls die Tür offen gelassen wurde.

In diesen Fällen leuchtet die rote LED, bis die vorgegebene Temperatur wieder erreicht ist. Falls die rote LED leuchten sollte, warten Sie bitte erst 24 Stunden ab, bevor Sie sich an den autorisierten Kundendienst wenden.

**Wichtig:**

Je nach Einsatzbedingungen des Gerätes kann die Innentemperatur gewissen Schwankungen unterworfen sein: Aufstellungsort, Umgebungstemperatur, Häufigkeit des Türöffnens, Menge eingelagerter Lebensmittel. Die Temperatur wird entsprechend dieser Bedingungen nachgeregelt.

Falls die rote LED leuchten sollte, warten Sie 24 Stunden, bevor Sie sich an den autorisierten Kundendienst wenden.

Das Aufleuchten der LED kann dadurch verursacht worden sein, dass warme Speisen in das Kühlgerät gestellt wurden und/oder die Tür offen gelassen wurde.

Nach weiteren 24 Stunden Betrieb sollte die Warnung vor zu hoher Innentemperatur (rote LED) erlöschen.

**Schnellgefrierfunktion**

Zum Einschalten der Schnellgefrierfunktion stellen Sie den Temperatureinstellknopf auf die Schnellgefrieren-Position. Wir empfehlen, Lebensmittel 24 Stunden nach Einschalten der Schnellgefrierfunktion in das Gefrierfach zu geben. Wenn die Schnellgefrierfunktion aktiv ist, arbeitet Ihr Kühlgerät mit der geringstmöglichen Gefrierfachtemperatur. Die Schnellgefrierfunktion arbeitet 50 Stunden lang. Anschließend kehrt das Kühlgerät wieder zum Normalbetrieb mit der Temperatureinstellung 3 zurück; auch dann, wenn sich der Knopf noch in der Schnellgefrieren-Position befindet. Diese Funktion spart Energie, falls die Schnellgefrierfunktion aus jeglichen Gründen nicht abgeschaltet wird. Die Kühlungsleistung Ihres Kühlgerätes wurde bei aktiver Schnellgefrierfunktion ermittelt.

### **Lagerung von Tiefkühlkost**

Ihr Kühlgerät ist für die langfristige Lagerung handelsüblicher Tiefkühlkost geeignet und kann auch dazu benutzt werden, frische Lebensmittel einzufrieren.

Bei Stromausfall nicht die Kühlschrantür öffnen. Tiefgekühlte Lebensmittel sollten von Stromausfällen von weniger als 19 Stunden nicht in Mitleidenschaft gezogen werden. Sollte der Stromausfall länger dauern, sollten die Lebensmittel überprüft werden und entweder sofort verzehrt oder gekocht und danach wieder eingefroren werden.

### **Frische Lebensmittel tiefkühlen**

Bitte beachten Sie die folgenden Anweisungen, um beste Resultate zu erzielen.

Frieren Sie nicht zu große Mengen auf einmal ein. Die Qualität der Lebensmittel bleibt am besten erhalten, wenn sie so schnell wie möglich bis in den Kern tiefgekühlt werden. Wenn Sie größere Mengen frischer Lebensmittel auf einmal einfrieren möchten, stellen Sie den Einstellungsknopf 24 Stunden, bevor Sie die Lebensmittel in das Schnellgefrierfach geben, auf Schnellgefrieren ein.

Wir empfehlen dringend, die Schnellgefrierfunktion mindestens 24 Stunden lang eingeschaltet zu belassen – so können Sie die maximale Menge an Gefriergut verarbeiten. Achten Sie besonders darauf, tiefgekühlte und frische Speisen nicht zu vermischen. Geringe Lebensmittelmengen bis 500 g können auch ohne Schnellgefrieren eingefroren werden. Achten Sie besonders darauf, bereits tiefgekühlte und frische Speisen nicht zu vermischen.

### **Herstellung von Eiswürfeln (Abbildung 6)**

Füllen Sie die Eiswürfelschale zu etwa 3/4 mit Wasser und stellen Sie diese ins Tiefkühlfach. Lösen Sie angefrorene Schalen mit einem Löffelstil oder einem ähnlichen Hilfsmittel; verwenden Sie niemals Gegenstände mit scharfen Kanten wie Messer oder Gabeln.

### **Lernen Sie Ihr neues Gerät kennen (Abbildung 1)**

- 1 - Bedienfeld, Anzeige und Einstellung
- 2 - Eiswürfelschalenhalter und Eiswürfelschale
- 3 - Schnellgefrierfach
- 4 - Fächer zur Lagerung gefrorener Lebensmittel
- 5 - Einstellbare Füße an der Frontseite

### **Abtauen**

Bitte tauen Sie das Gefrierfach mindestens zweimal pro Jahr ab - oder spätestens dann, wenn die Eisschicht zu dick werden sollte.

- Eisansammlungen sind völlig normal.
- Die Ansammlung von Eis (insbesondere an der Oberseite des Gefrierfachs) ist vollkommen normal und beeinflusst den Betrieb des Gerätes nicht.
- Wir empfehlen, das Gerät abzutauen, wenn sich nur geringe Mengen an Lebensmitteln im Inneren befinden.
- Bevor Sie mit dem Abtauen beginnen, stellen Sie den Temperaturregler auf maximale Kühlleistung ein, damit die Lebensmittel im Inneren gut durchgefroren werden.
- Ziehen Sie den Netzstecker
- Nehmen Sie die gefrorenen Lebensmittel heraus, verpacken Sie diese in einige Lagen Papier und lagern Sie diese an einem kühlen Ort.
- Zum schnellen Abtauen lassen Sie die Tür offen stehen und stellen Gefäße mit warmem Wasser (maximal 80 °C) in das Gerät. Verwenden Sie niemals spitze oder scharfe Gegenstände (wie Messer oder Gabeln) zum Entfernen der Eisschicht. Verwenden Sie niemals Haartrockner, elektrische Heizgeräte oder ähnliches zum Beschleunigen des Abtauvorgangs. Wenn der Abtauvorgang abgeschlossen ist, trocknen Sie den Innenraum gründlich und schließen dann die Tür.

### **(Abbildungen 7 und 8)**

## Reinigung und Pflege

1. Wir empfehlen, das Gerät an der Steckdose auszuschalten und den Netzstecker zu ziehen, ehe Sie mit der Reinigung beginnen.

2. Verwenden Sie zur Reinigung niemals scharfe Gegenstände, Scheuermittel, Seife, Haushaltsreiniger, Waschmittel oder Wachspolituren.

3. Reinigen Sie die Außenflächen des Gerätes mit lauwarmem Wasser, wischen Sie die Flächen danach trocken.

4. Zur Reinigung des Innenraums verwenden Sie ein feuchtes Tuch, das Sie in eine Lösung aus 1 Teelöffel Natron und einem halben Liter Wasser getaucht und ausgewrungen haben. Nach dem Reinigen wischen Sie den Innenraum trocken.

5. Wenn das Gerät längere Zeit nicht benutzt wird, schalten Sie es ab, nehmen alle Lebensmittel heraus, reinigen das Gerät und lassen die Türe geöffnet.

6. Wir empfehlen, die Metallteile des Geräts (wie Türbeschläge, Außenwände) mit einem Silikonwachs (Autowachs) zu polieren um den Lack zu schützen.

7. Der Staub, der sich auf dem Kondensator an der Rückseite des Geräts ansammelt, sollte einmal jährlich mit dem Staubsauger entfernt werden.

8. Kontrollieren Sie die Türdichtungen regelmäßig, um sicherzustellen, dass diese sauber und frei von Speiseresten sind.

9. Niemals:

- Das Gerät mit ungeeigneten Mitteln reinigen, z. B. mit Reinigern auf Petroleum- oder Benzinbasis.

- Hohen Temperaturen aussetzen

- Scheuern, schrubben etc. mit Scheuermitteln

10. Größere Eisansammlungen sollten regelmäßig entfernt werden. Starke Eisansammlungen beeinträchtigen die Leistung des Kühlgerätes.

11. Um eine Lade zu entfernen, ziehen Sie diese so weit wie möglich heraus, heben sie etwas an und ziehen sie dann komplett heraus.

## Ändern des Türanschlags

Gehen Sie der Reihe nach vor (**Abbildung 9**).

### Wichtige Hinweise – bitte beachten!

**Ja:** Überprüfen Sie den Inhalt Ihres Kühlgerätes regelmäßig.

**Ja:** Reinigen und tauen Sie ihr Gerät regelmäßig ab (lesen Sie dazu den Abschnitt „Abtauen“)

**Ja:** Lagern Sie die Lebensmittel so kurz wie möglich und halten Sie sich an Angaben wie „Verwendbar bis“ oder an das Mindesthaltbarkeitsdatum.

**Ja:** Lagern Sie handelsübliche Tiefkühlspeisen entsprechend der Hinweise auf der Verpackung.

**Ja:** Wählen Sie immer qualitativ hochwertige, frische Ware und stellen Sie sicher, dass diese komplett sauber ist, ehe Sie sie tiefkühlen.

**Ja:** Bereiten Sie frische Speisen, die Sie tiefkühlen möchten, in kleinen Portionen vor, damit die Lebensmittel möglichst schnell eingefroren werden können.

**Ja:** Wickeln Sie Tiefkühlkost sofort nach dem Kauf gut ein und geben Sie diese so schnell wie möglich in Ihr Kühlgerät.

**Ja:** Verteilen Sie Lebensmittel auf die einzelnen Fächer und füllen Sie die Inhaltskarte aus. Dadurch finden Sie Lebensmittel schnell wieder und müssen die Tür nicht lange geöffnet halten – das spart Energie.

- NEIN:** Tür lange geöffnet halten. Dies verteuert den Betrieb des Gerätes und trägt außerdem zu vermehrter Eisbildung bei.
- NEIN:** Eisschicht mit ungeeigneten Objekten wie Messern oder Gabeln entfernen.
- NEIN:** Heiße Speisen in das Gerät stellen. Lassen Sie diese zuerst auskühlen.
- NEIN:** Mit Flüssigkeiten gefüllte Flaschen oder ungeöffnete Behälter mit kohlenensäurehaltigem Inhalt in den Tiefkühler legen – sie könnten platzen.
- NEIN:** Giftige und andere gefährliche Substanzen im Gerät lagern. Es ist nur auf die Lagerung von Lebensmitteln ausgerichtet.
- NEIN:** Überschreitung der maximalen Tiefkühlmenge beim Einfrieren frischer Lebensmittel.
- NEIN:** Kindern Eiscreme und Wassereis direkt aus dem Gefrierfach geben. Die sehr niedrige Temperatur kann zu Erfrierungen der Lippen führen.
- NEIN:** Kohlenensäurehaltige Getränke tiefkühlen.
- NEIN:** Tiefkühlware, die bereits angetaut ist, wieder einfrieren; diese sollte innerhalb von 24 Stunden entweder verzehrt, oder gekocht und danach wieder eingefroren werden.
- NEIN:** Gegenstände mit nassen Händen aus dem Tiefkühler nehmen.
- NEIN:** Tür schließen, bevor das Schnellgefrierfach richtig verschlossen wurde.

### **Problemlösung**

Wenn das Gerät nicht arbeitet, obwohl es eingeschaltet ist, kontrollieren Sie:

- Ob der Stecker richtig in der Steckdose steckt und die Stromzufuhr eingeschaltet ist. (Um die Stromzufuhr in der Steckdose zu überprüfen, stecken Sie ein anderes Gerät ein.)
- Ob die Sicherung durchgebrannt/ausgelöst oder die Hauptstromzufuhr abgeschaltet wurde.
- Dass die Temperatur richtig eingestellt wurde.
- Dass der neue Stecker richtig verdrahtet ist, sofern Sie den gelieferten, vergossenen Stecker ausgetauscht haben.

Falls das Gerät nach den oben angeführten Kontrollen immer noch nicht arbeiten sollte, wenden Sie sich bitte den Händler, bei dem Sie das Gerät gekauft haben.

Stellen Sie bitte sicher, dass alle oben genannten Kontrollen durchgeführt wurden, da eine Gebühr anfällt, falls kein Fehler gefunden werden sollten.

## Energieverbrauch

Das maximale TK-Stauvolumen wird ohne Schubladen im Tiefkühlfachbereich erreicht. Der Energieverbrauch Ihres Gerätes wurde bei komplett gefülltem Tiefkühlbereich ohne Schubladen ermittelt.

## Praktische Tipps zum Energiesparen

1. Sorgen Sie dafür, dass das Gerät an einer gut belüfteten Stelle und nicht in der Nähe von Wärmequellen (Herd, Heizung, usw.) aufgestellt wird. Achten Sie gleichzeitig darauf, dass das Gerät nicht im prallen Sonnenlicht steht.
2. Sorgen Sie dafür, dass gekühlte oder gefrorene Speisen so schnell wie möglich in das Gerät gegeben werden; dies gilt natürlich insbesondere im Sommer. Wir empfehlen, Kühltaschen zum Transport von Lebensmitteln zu verwenden.
3. Versuchen Sie, die Tür so selten wie möglich zu öffnen.
4. Öffnen Sie die Tür des Gerätes nicht unnötig, achten Sie darauf, dass die Tür anschließend wieder richtig geschlossen wird.

## Hinweise zu Geräuschen und Vibrationen, die im Betrieb auftreten können

1. Das Betriebsgeräusch kann im laufenden Betrieb zunehmen.
  - Um die vorgegebenen Temperaturen zu halten, springt der Kompressor des Gerätes von Zeit zu Zeit an. Das Betriebsgeräusch kann bei laufendem Kompressor zunehmen, beim Anhalten des Kompressors kann ein Klicken zu hören sein.
  - Die Leistung des Gerätes kann sich je nach Temperatureinstellung und unmittelbarer Umgebung ändern. Dies muss als normal betrachtet werden.
2. Geräusche wie fließende Flüssigkeiten oder Spritzer
  - Diese Geräusche werden durch den Durchfluss des Kühlmittels im Gerät verursacht; dies ist in Anbetracht der Funktionsweise des Gerätes völlig normal.
3. Sonstige Vibrationen und Geräusche.
  - Geräusche und Vibrationen können je nach Typ und Neigung des Untergrundes, auf dem das Gerät aufgestellt wurde, stärker oder schwächer ausfallen. Achten Sie darauf, dass der Boden möglichst eben ist und das Gewicht des Gerätes mühelos tragen kann.
  - Weitere Geräusche und Vibrationen können durch auf dem Gerät abgestellte Gegenstände verursacht werden. Nehmen Sie solche Gegenstände vom Gerät herunter.



### Bedeutung des Symbols „Mülltonne“

Schonen Sie unsere Umwelt, Elektrogeräte gehören nicht in den Hausmüll.

Nutzen Sie die für die Entsorgung von Elektrogeräten vorgesehenen Sammelstellen und geben dort Ihre Elektrogeräte ab die Sie nicht mehr benutzen werden.

Sie helfen damit die potenziellen Auswirkungen, durch falsche Entsorgung, auf die Umwelt und die menschliche Gesundheit zu vermeiden.

Sie leisten damit Ihren Beitrag zur Wiederverwertung, zum Recycling und zu anderen Formen der Verwertung von Elektro- und Elektronik-Altgeräten.

Informationen, wo die Geräte zu entsorgen sind, erhalten Sie über Ihre Kommunen oder die Gemeindeverwaltungen.

In vielen Ländern der EU ist die Entsorgung von Elektro- und Elektronik-Altgeräten über den Haus- und/oder Restmüll ab 13.8.2005 verboten.

In Deutschland ab 23.3.2006.

Gefeliciteerd met uw keuze voor een kwaliteitstoestel van **BEKO**, ontwikkeld voor vele jaren dienst.

### ***Veiligheid eerst!***

Sluit uw toestel niet op de stroomtoevoer aan totdat alle verpakking en transportbescherming werd verwijderd.

- Laat de koelkast, als ze horizontaal werd vervoerd, minstens 4 uur stilstaan alvorens ze in werking te stellen. Dit dient om de olie van de compressor te laten zakken.
- Als u een oud toestel met een slot of een klink aan de deur vervangt, zorg er dan voor dat het op een veilige manier wordt achtergelaten zodat kinderen er niet in opgesloten kunnen geraken.
- Dit toestel mag enkel worden gebruikt voor het doel waar het voor dient.
- Verbrand uw apparaat niet. Het apparaat bevat bestanddelen zonder C.F.K. in de isolatie. Deze zijn brandbaar. Wij raden u aan om de plaatselijke instanties te contacteren voor informatie over de beschikbare faciliteiten voor het verwijderen van uw toestel.
- Wij raden het gebruik van dit toestel af in een onverwarmde, koude ruimte. (bijv. garage, serre, aanbouw, schuurtje, bijgebouw, enz.)

Het is heel belangrijk deze instructies zorgvuldig te lezen om de best mogelijke en probleemloze werking van uw toestel te bewerkstelligen. Het niet opvolgen van deze instructies kan uw recht op gratis service tijdens de garantieperiode doen vervallen.

Gelieve deze instructies op een veilige plaats te bewaren voor eenvoudige raadpleging.

**Dit toestel is niet geschikt voor gebruik door personen met fysische of mentale problemen of met een gebrek aan ervaring of kennis tenzij er toezicht of uitleg over het product gegeven wordt door de persoon die de verantwoordelijkheid over hun veiligheid draagt.  
Kinderen moeten onder toezicht staan zodat ze niet met het toestel kunnen spelen.**

## **Elektriciteitsvereisten**

Vergewis u ervan, alvorens u de stekker in het stopcontact steekt, dat de voltage en de frequentie op de kwalificatieplaat binnenin het toestel overeenkomen met uw stroomtoevoer. Wij raden u aan dit toestel aan te sluiten op de hoofdtoevoer via een naar behoren aangesloten en verzekerd stopcontact op een onmiddellijk bereikbare plaats. Na plaatsing van het apparaat moet de stekker eenvoudig toegankelijk blijven, zodat het mogelijk is om het apparaat na installatie van de stroomtoevoer af te sluiten.

### **Waarschuwing! Dit toestel moet worden geaard.**

Reparaties aan de elektrische apparatuur mogen alleen door gekwalificeerde deskundigen worden uitgevoerd. Als de stroomkabel beschadigd is, moet deze – om gevaar te voorkomen – door de fabrikant of klantenservice worden vervangen.

### **OPGELET!**

Dit toestel werkt op R600a. Dit is een milieuvriendelijk, maar brandbaar gas. Tijdens het transport en de plaatsing van het product moet er zorg voor worden gedragen dat het koelsysteem niet wordt beschadigd. Als het koelsysteem toch wordt beschadigd en er ontstaat een gaslek, houd het product dan verwijderd van open vuurbronnen en verlucht de kamer een tijdje.

**WAARSCHUWING** - Gebruik geen andere mechanische toestellen of andere middelen om het ontdooiingproces te versnellen dan die toestellen of middelen die door de fabrikant worden aangeraden.

**WAARSCHUWING** - Beschadig het koelcircuit niet.

**WAARSCHUWING** - Gebruik geen elektrische toestellen in de bewaarladen van het toestel, tenzij ze door de fabrikant worden aangeraden.

**WAARSCHUWING** - Indien het netsnoer beschadigd is, moet dit door de producent, de dealer of een ander gekwalificeerd persoon worden gerepareerd om gevaar te voorkomen.

## **Transportinstructies**

1. Het toestel mag enkel in staande positie

worden vervoerd. De oorspronkelijke verpakking moet intact blijven tijdens het transport.

2. Als het toestel tijdens het transport horizontaal werd geplaatst, mag het minstens gedurende 4 uur niet in werking worden gesteld zodat het systeem kan stabiliseren.

3. Het niet naleven van de bovenstaande instructies kan het toestel beschadigen.

Hiervoor kan de fabrikant niet verantwoordelijk worden gehouden.

4. Het apparaat moet worden beschermd tegen regen, vochtigheid en andere weersinvloeden.

### **Belangrijk!**

- Tijdens het schoonmaken/dragen van het toestel dient u ervoor te zorgen dat de metalen draden aan de onderkant van de condensor, die zich aan de achterkant van het toestel bevindt, niet worden aangeraakt. Deze kunnen vingers en handen kwetsen.
- Probeer niet bovenop het toestel te gaan zitten of staan, omdat het daar niet voor werd ontworpen. U zou zichzelf kunnen kwetsen of het toestel beschadigen.
- Zorg ervoor dat de hoofdkabel niet onder het toestel komt vast te zitten tijdens en na het verplaatsen ervan. Dit zou de kabel kunnen beschadigen.
- Laat kinderen niet met het toestel spelen of aan de knoppen komen.

### **Installatie-instructies**

1. Plaats uw toestel niet in een kamer waar de temperatuur 's nachts en/of vooral 's winters lager dan 10°C (50°F) kan worden. Het werd ontworpen voor een werking in een omgevingstemperatuur tussen +10°C en +43°C (50°F en 109°F). Bij lagere temperaturen zou het apparaat mogelijk niet kunnen werken. Dit zou de bewaartijd van de etenswaren verkorten.

2. Plaats het toestel niet in direct zonlicht of in de nabijheid van een fornuis of een radiator.

Dit zou de functies van het toestel extra belasten. Als het toch naast een warmtebron of een diepvriezer wordt geplaatst, neem dan de volgende minimumafstanden in acht:

Van een fornuis 30 mm

Van een radiator 300 mm

Van een diepvriezer 25 mm



3. Zorg voor voldoende ruimte rond het toestel, zodat de lucht er vrij kan circuleren (**Afbeelding 2**).

• Bevestig het verluchtingstokje aan de achterkant van uw koelkast om de afstand tussen de koelkast en de muur te bepalen (**Afbeelding 3**).

4. Het toestel moet op een vlak oppervlak worden geplaatst. De twee voorste voetjes kunnen naar wens worden aangepast. Draai ze met of tegen de richting van de klok, totdat ze veilig en stevig de grond raken en uw toestel goed recht staat. Het juist afstellen van de voetjes voorkomt overdreven trillingen en lawaai (**Afbeelding 4**).

5. Raadpleeg het onderdeel "Schoonmaak en Onderhoud" om uw toestel klaar te maken voor gebruik.

### ***Opmeting en regeling van de temperatuur***

Met de instelknop voor de temperatuur van de diepvriezer kunt u de diepvriezertemperatuur aanpassen (**aanbevolen stand 2 of 3**).

Over het algemeen ligt deze temperatuur onder  $-18^{\circ}\text{C}$ . U kunt een lagere temperatuur verkrijgen door de thermostaatknop in de stand MAX te draaien.

We raden aan om de temperatuur met een thermometer te controleren om ervoor te zorgen dat de opslagvakken de gewenste temperatuur behouden. Lees de thermometer onmiddellijk af want de thermometertemperatuur zal zeer snel stijgen nadat u deze uit de vriezer genomen hebt. Vergeet niet dat telkens de deur wordt geopend, koude lucht ontsnapt en de interne temperatuur stijgt. Laat daarom de deur nooit open staan en sluit de deur onmiddellijk nadat voedsel verwijderd werd of erin werd geplaatst.

### ***Alvorens de inwerkingstelling***

#### ***Laatste controle***

Alvorens u de diepvriezer begint te gebruiken, controleer of:

1. De voetjes zo werden geregeld dat de koelkast perfect recht staat.
2. De binnenkant droog is en dat de lucht achteraan vrij kan circuleren.

3. De binnenkant proper is, zoals aanbevolen onder "SCHOONMAAK EN ONDERHOUD".

4. De stekker in het stopcontact zit en de elektriciteit is aangesloten. Vermijd een toevallige loskoppeling door de schakelaar vast te plakken.

#### ***Ter informatie:***

5. U zult een geluid horen wanneer de compressor opstart. De vloeistof en de gassen die zich in het koelsysteem bevinden, zouden ook wat lawaai kunnen veroorzaken en dit zowel wanneer de compressor aan het werken is of niet. Dit is normaal.

6. Om verse producten in te vriezen, gebruikt u het diepvriesvak dat voorzien is van vier sterren (tweede schap is hiervoor aanbevolen).

7. Plaats geen te grote hoeveelheid voedsel tegelijkertijd in de diepvries. De voedselkwaliteit wordt goed behouden als het op de kortst mogelijk tijd wordt ingevroren. Het is daarom verkieslijk om de vriescapaciteit van het toestel, weergegeven in "Toestelrecord", niet te overschrijden. De thermostaatknop moet worden afgesteld om de laagste temperatuur in de diepvriezer te verkrijgen, met de snelvries-functie geactiveerd en het oranje lampje verlicht.

8. Laad het toestel niet onmiddellijk, nadat het is aangeschakeld. Wacht tot de juiste bewaartemperatuur wordt bereikt. Wij raden u aan de temperatuur op te meten met een accurate thermometer (zie: Opmeting en regeling van de temperatuur).

#### ***Belangrijke opmerking:***

Open de deur niet in geval van een elektriciteitspanne. Ingevroren voedsel wordt niet aangetast indien de panne minder dan 19 uur duurt. Indien de panne langer duurt, moet het voedsel worden gecontroleerd en ofwel onmiddellijk worden opgegeten of worden bereid en opnieuw worden ingevroren.

## **Bedieningspaneel diepvriezer**

### **Afbeelding 5**

Met het bedieningspaneel kunt u de temperatuur in diepvriezer aanpassen en beschikt u over de volgende functies:

#### **1 - Oranje lampje - Fast freeze (snelvriezen) aan**

Als u de knop voor het instellen van de diepvriezertemperatuur (4) op de „FAST FREEZE”(snelvriezen)-stand zet, gaat het oranje lampje (1) branden en het apparaat werken onder de laagste temperatuurcondities. Het oranje LED stopt met branden na 50 uur werken onder de laagste temperatuurcondities.

#### **2 - Groene lampje - elektriciteit aan (Voltage)**

Dit lampje brandt wanneer het toestel op het netwerk is aangesloten en blijft branden zolang er stroomtoevoer is. Het groene lampje geeft geen informatie over de temperatuur binnenin de vriezer.

#### **3 - Rode lampje - Alarm Hoge Temperatuur**

#### **4 - Knop temperatuurinstelling**

#### **Alarm hoge temperatuur**

Nadat het toestel voor de eerste keer is ingeschakeld is het alarm gedurende 12 uur niet actief (rode lampje is uit).

Na deze periode kan het rode lampje in de volgende gevallen gaan branden (rode lampje aan):

- Als het toestel te vol is geladen met verse etenswaren
- Als de deur onbedoeld is open blijven staan. In deze gevallen blijft het rode lampje branden totdat het toestel de vooraf ingestelde temperatuur weer heeft bereikt.

Als het rode lampje brandt, wacht dan 24 uur voordat u een geautoriseerde onderhoudsdienst belt.

#### **Belangrijk:**

De temperatuur die binnenin verkregen wordt, kan variëren afhankelijk van de gebruiksomstandigheden van het toestel: plaats, omgevingstemperatuur, frequentie van het openen van de deur, hoeveelheid voedsel in het toestel. De temperatuurinstelling wordt afhankelijk van deze omstandigheden aangepast.

Als het rode lampje brandt, wacht 24 uur voor u een erkend servicebedrijf contacteert. Het zou het warme voedsel kunnen zijn dat in het toestel werd geplaatst en/of de deur die werd open gelaten. Na 24 uur zou het alarm voor te hoge temperatuur (rode lampje) dan uit moeten zijn.

#### **Snelvriesfunctie**

Om de FAST FREEZING (snelvriezen)-functie te activeren, draait u de instelknop voor de temperatuur naar de „FAST FREEZE”(snelvriezen)-stand. Het wordt aanbevolen dat u het voedsel dat u sneller wilt invriezen in het vriesgedeelte plaatst 24 uur nadat u de snelvries-functie heeft geactiveerd. Als de snelvries-functie wordt geactiveerd, werkt uw koelkast op de laagste temperatuur voor de diepvriezer. De snelvries-functie werkt maximaal 50 uur. Na beëindiging schakelt uw koelkast terug naar de normale condities met een temperatuurinstelling van 3, zelfs als de knop op de „FAST FREEZE”(snelvriezen)-stand staat. Deze eco-ontwerpfunctie zorgt voor energiebesparing als de snelvries-functie om welke reden dan ook niet wordt geannuleerd. De vriescapaciteit van uw koelkast wordt gemeten en bepaald als de snelvries-functie actief is.

#### **Diepvriesproducten bewaren**

Uw diepvriezer is geschikt voor het langdurige bewaren van commercieel ingevroren etenswaren en kan ook worden gebruikt om verse etenswaren in te vriezen en te bewaren. Open de deur niet in geval van een elektriciteitspanne. De ingevroren etenswaren zouden niet mogen worden aangetast, als de panne minder dan 19 uur duurt. Als ze langer duurt, moeten de etenswaren worden nagekeken en ofwel onmiddellijk worden opgegeten, ofwel worden klaargemaakt en dan opnieuw ingevroren.

## **Verse etenswaren invriezen**

Gelieve de volgende instructies in acht te nemen om de beste resultaten te bereiken. Vries nooit een al te grote hoeveelheid in één keer in. De kwaliteit van het eten blijft het best geconserveerd wanneer het zo snel mogelijk goed tot in het hart wordt ingevroren.

Als u grote hoeveelheden verse producten gaat invriezen, draait u de bedieningsknop naar de „FAST FREEZE”(snelvriezen)-positie 24 uur voordat u de verse producten in het snelvriesgedeelte legt.

Het wordt sterk aanbevolen de knop minimaal 24 uur op de „FAST FREEZE”(snelvriezen)-stand te houden om de maximale hoeveelheid verse producten in te vriezen zoals bepaald in de vriescapaciteit. Zorg dat u geen diepvriesproducten met verse etenswaren mengt.

Kleine hoeveelheden etenswaren, tot ½ kg. (1 lb.), kunnen zonder de Fast Freeze-knop worden ingevroren.

Zorg er goed voor geen ingevroren producten te mengen met verse etenswaren.

## **Ijsblokjes maken (Afbeelding 6)**

Vul de vorm voor  $\frac{3}{4}$  met water en plaats hem in de diepvriezer. Maak aangevroren vormen los met het uiteinde van een lepel of een gelijkaardig instrument; gebruik nooit scherpe voorwerpen, zoals messen of vorken.

## **Uw toestel leren kennen (Afbeelding 1)**

- 1 - Bedieningspaneel, weergave en aanpassing
- 2 - Houder voor ijschaal en ijsschaal
- 3 - Lade voor snel invriezen
- 4 - Lade voor het bewaren van ingevroren etenswaren
- 5 - Verstelbare voetjes

## **Ontdooien**

We bevelen aan om het diepvriezergedeelte minstens tweemaal per jaar te ontdooien of wanneer de ijslaag te dik is.

- Ijsaanslag is een normaal fenomeen.
- De ijsaanslag, vooral in het bovenste gedeelte van het vak, is een natuurlijk fenomeen en beïnvloedt de goede werking van het toestel niet.
- Het is aan te bevelen om het toestel te ontdooien wanneer de hoeveelheid ingevroren voedsel niet te groot is.
- Zet voor het ontdooien de thermostaatknop op de maximum positie om het voedsel diep in te vriezen. Tijdens deze tijd mag de temperatuur van de koelkast niet te laag zijn.
  - Trek de stekker uit het stopcontact.
  - Verwijder de diepgevroren etenswaren, verpak ze in verschillende lagen papier en plaats ze op een koude plaats.
  - Laat de deur open staan voor snel ontdooien en plaats in de kast potten met warm water (max. 80°C).

Gebruik geen puntige of scherpe voorwerpen, zoals messen of vorken, om het ijs te verwijderen.

Gebruik nooit haardrogers, elektrische verwarmingstoestellen of andere gelijkaardige elektrische toestellen om te ontdooien. Wanneer het ontdooien klaar is, sluit het ontdooigedeelte en droog de binnenkant grondig.

**(Afbeelding 7 & 8).**

## **Schoonmaak en onderhoud**

1. Wij raden u aan het toestel uit te schakelen aan het stopcontact en de hoofdstekker uit te trekken voor het schoonmaken.
2. Gebruik nooit scherpe instrumenten of schurende bestanddelen, zeep, huishoudproducten, afwasmiddel of boenwas om te poetsen.
3. Gebruik lauw water om het kabinet van het toestel schoon te maken en wrijf het droog.
4. Gebruik een vochtige doek, uitgewrongen in een oplossing van één koffielepel natriumbicarbonaat voor 50 cl water, om de binnenkant schoon te maken en wrijf vervolgens droog.
5. Als het toestel voor een lange periode niet zal worden gebruikt, schakel het dan uit, verwijder al de etenswaren, maak het schoon en laat de deur op een kier staan.
6. Wij raden u aan de metalen onderdelen van het product (d.i. de buitenkant van de deur, de wanden van de kast) op te poetsen met een siliconewas (autoboenwas) om de verfafwerking van hoge kwaliteit te beschermen.
7. Al het stof dat zich op de condensator nestelt, die zich achteraan het toestel bevindt, moet één keer per jaar met een stofzuiger worden verwijderd.
8. Kijk de deurgrendels regelmatig na om u ervan te vergewissen dat ze proper en vrij van etensresten zijn.
9. Nooit doen:
  - Maak het toestel nooit schoon met ongeschikt materiaal; vb. producten op basis van petroleum.
  - Stel het toestel nooit bloot aan hoge temperaturen op eender welke manier.
  - Schrob, wrijf, enz. nooit met schurend materiaal.
10. Overdreven ijsaanslag moet regelmatig worden verwijderd. Een grote ophoping van ijs zal afbreuk doen aan de prestatie van de diepvriezer.
11. Om een lade te verwijderen, trekt u hem zo ver mogelijk uit het toestel, licht u hem op en trekt u hem er vervolgens volledig uit.

## **De deur verplaatsen**

Ga te werk in de volgorde van de getallen (**Afbeelding 9**).

### **Wel en niet doen**

- Wel-** De inhoud van de diepvriezer regelmatig controleren.
- Wel-** Uw toestel regelmatig schoonmaken en ontdooien (Zie "Ontdooien")
- Wel-** Bewaar etenswaren zo kort mogelijk en houdt u aan de vervaldatum.
- Wel-** Bewaar diepvriesproducten volgens de instructies op de verpakking.
- Wel-** Opteer altijd voor verse etenswaren van hoge kwaliteit en zorg ervoor dat ze volledig proper zijn alvorens u ze invriest.
- Wel-** Verdeel in te vriezen verse etenswaren in kleine porties, zodat ze snel kunnen invriezen.
- Wel-** Pak diepvriesproducten onmiddellijk in na aankoop en plaats ze zo snel mogelijk in de diepvriezer.
- Wel-** Houd de voedingswaren gescheiden in de vakken en vul de inhoudkaarten in. Zo kunt u de voedingswaren snel vinden en vermijden om de deur te lang te openen waardoor u elektriciteit bespaart.

- Niet-** De deur voor een lange tijd open laten staan. Dit zal het toestel kostelijker maken en overdreven ijsaanslag veroorzaken.
- Niet-** Scherpe objecten, zoals messen of vorken, gebruiken om het ijs te verwijderen.
- Niet-** Warm eten in het toestel plaatsen. Laat het eerst afkoelen.
- Niet-** Flessen of luchtdichte blikken met koolzuurhoudende vloeistoffen in de diepvriezer plaatsen. Deze zouden namelijk kunnen barsten.
- Niet-** Giftige of gevaarlijke bestanddelen in uw koelkast bewaren. Het toestel werd namelijk enkel ontworpen voor het bewaren van eetbare producten.
- Niet-** De maximumlading overschrijden wanneer u verse etenswaren invriest.
- Niet-** Ijsjes of ijslolly's, die direct uit de diepvriezer komen, opeten. De lage temperatuur kan 'vriesbrandwonden' veroorzaken op de lippen.
- Niet-** Bruisende dranken diepvriezen.
- Niet-** Ingevroren etenswaren, die zijn ontdooid, proberen te bewaren; zij moeten binnen de 24 uur worden opgegeten of worden klaargemaakt en opnieuw ingevroren.
- Niet-** Items uit de diepvriezer nemen met natte handen.
- Niet-** De deur sluiten voor u het deksel van het snelvriesvak vervangt.

### ***Problemen oplossen***

Als het toestel niet werkt wanneer het is aangeschakeld, controleer dan het volgende:

- Of de stekker goed in het stopcontact steekt en of de stroomtoevoer aanstaat. (Om de stroomtoevoer naar het stopcontact te testen, sluit u een ander toestel erop aan)
- Of de zekering is gesprongen / de stroomonderbreker is doorgeslagen / de hoofddistributie werd afgesloten.
- Of de temperatuurregeling juist werd ingesteld.
- Of de nieuwe stekker juist werd aangesloten, als u de aangeleverde standaardstekker heeft vervangen.

Als het toestel nog altijd niet werkt na alle bovenstaande controles, contacteer dan de verdeler van wie u het toestel heeft gekocht. Gelieve ervoor te zorgen dat de bovenstaande controles werden uitgevoerd, aangezien u de verplaatsing zal worden aangerekend als er geen fout wordt vastgesteld.

### Energieverbruik

Een maximaal bruikbaar volume voor het bewaren van diepvriesproducten krijgt u wanneer u de laden in de diepvriezer niet gebruikt. Het energieverbruik van uw apparaat is gebaseerd op de volledig gevulde diepvriezer zonder het gebruik van de laden.


### Praktisch advies met betrekking tot vermindering van het elektriciteitsverbruik

1. Controleer of het apparaat geplaatst is in een goed geventileerde ruimte, weg van hittebronnen (fornuis, radiator etc.). Tegelijkertijd moet plaatsing van het apparaat zo worden uitgevoerd dat het apparaat niet in direct zonlicht staat.
2. Zorg ervoor dat aangekochte gekoelde/ingevroren levensmiddelen zo snel mogelijk in het apparaat worden geplaatst, met name tijdens de zomerperioden. Het is raadzaam om voor het vervoer van deze levensmiddelen koel- of diepvriestassen (thermische isolatie) te gebruiken.
3. Wij raden aan om de deur zo min mogelijk te openen.
4. Laat de deur van het apparaat niet langer open staan dan nodig is en controleer na elke opening of de deur weer goed is gesloten.

### Informatie met betrekking tot geluid en trillingen die tijdens de werking van uw apparaat kunnen optreden

1. Het werkingsgeluid kan tijdens de werking van het apparaat toenemen.
  - Om de temperatuur op de ingestelde temperatuur te houden, start de compressor van het apparaat regelmatig op. Het geluid dat door de compressor wordt geproduceerd, wordt luider wanneer deze opstart. Als de compressor stopt kunt u een klik horen.
  - De prestatie- en werkingskenmerken van het apparaat kunnen veranderen als gevolg van wijzigingen in de omgevingstemperatuur. Dit is normaal.
2. Geluid van stromende of sproeiende vloeistof
  - Deze geluiden worden veroorzaakt door de stroming van het koelmiddel in het circuit van het apparaat en zijn normaal voor het werkingsprincipe van het apparaat.
3. Ander geluid en andere trillingen.
  - Het geluid- en trillingsniveau kan veroorzaakt worden door het type en de ligging van de vloer waarop het apparaat is geplaatst. Zorg dat er in de vloer geen te grote niveauverschillen zijn of dat deze kan bezwijken onder het gewicht van het apparaat (vloer die meegeeft).
  - Geluid en trillingen kunnen tevens veroorzaakt worden door voorwerpen die op het apparaat zijn geplaatst. Deze voorwerpen moeten van het apparaat verwijderd worden.



Het symbool  op het product of op de verpakking geeft aan dat het product niet als huishoudelijke afval kan worden behandeld. In plaats daarvan moet het worden afgegeven in het toepasselijke recyclagecentrum voor het recyclen van elektrische en elektronische apparaten. Door ervoor te zorgen dat dit product op de juiste manier wordt verwijderd, helpt u potentiële negatieve gevolgen te vermijden voor het milieu en de menselijke gezondheid, die anders veroorzaakt zouden kunnen worden door de verkeerde afvalbehandeling van dit product. Voor meer gedetailleerde informatie over het recyclen van dit product, neem contact op met de plaatselijke instanties, uw huishoudafvalverwerkingsdienst of de winkel waar u het product hebt aangekocht.

Complimenti per la scelta di un elettrodomestico di qualità **BEKO**, progettato per una lunga durata.

### ***Innanzitutto la sicurezza!***

Non collegare l'elettrodomestico all'alimentazione elettrica finché non sono stati rimossi l'imballaggio e le protezioni per il trasporto.

- Lasciare l'elettrodomestico diritto per almeno 4 ore prima di accenderlo, per consentire all'olio del compressore di risistemarsi se è stato trasportato in modo orizzontale.
- Se si smaltisce un elettrodomestico vecchio con lucchetto o chiusura sullo sportello, assicurarsi che sia in condizione di sicurezza per evitare che un bambino vi resti intrappolato.
- Questo elettrodomestico deve essere utilizzato esclusivamente per l'uso per cui è stato progettato.
- Non gettare l'elettrodomestico nel fuoco.

L'elettrodomestico contiene sostanze non CFC nel materiale isolante che sono infiammabili. Si consiglia di contattare l'autorità locale per informazioni sullo smaltimento e sugli impianti disponibili.

- È sconsigliato l'utilizzo dell'elettrodomestico in ambienti freddi e non riscaldati (ad esempio garage, serra, dipendenza, rimessa, giardino, etc.).

Per ottenere le migliori prestazioni possibili e un funzionamento senza problemi è molto importante leggere con attenzione le seguenti informazioni. La mancata osservanza di queste istruzioni può invalidare il diritto alla manutenzione gratuita in periodo di garanzia.

Conservare queste istruzioni al sicuro per una rapida consultazione.

**Questo apparecchio elettrico non è inteso per essere utilizzato da persona con handicap fisico, e/o mentale o con mancanza di esperienza e competenza anche se ad esse siano state date istruzioni concernenti l'uso da un supervisore o da persona con esperienza.**

**I bambini devono essere supervisionati da un adulto affinché non utilizzino l'apparecchio per il gioco.**

## Requisiti elettrici

Prima di inserire la spina nella presa a muro assicurarsi che la tensione e la frequenza riportate sull'etichetta informativa all'interno dell'elettrodomestico corrispondano all'alimentazione in uso.

Si consiglia di collegare questo elettrodomestico alla rete di alimentazione tramite una presa dotata di interruttore e fusibile in una posizione facilmente accessibile. A installazione ultimata, la spina deve essere accessibile per poter scollegare l'apparecchio dall'alimentazione.

**Avvertenza! Questo elettrodomestico deve essere dotato di messa a terra.**

Le riparazioni ai componenti elettrici devono essere eseguite solo da personale esperto qualificati. Se il cavo di alimentazione è danneggiato, il produttore o il servizio di assistenza clienti devono sostituirlo per evitare danni.

### ATTENZIONE!

Questo elettrodomestico utilizza il gas R600a che rispetta l'ambiente ma è infiammabile. Durante il trasporto e l'installazione del prodotto è necessario fare attenzione a non danneggiare il sistema di raffreddamento. Se il sistema di raffreddamento è danneggiato e vi è perdita di gas dal sistema, tenere il prodotto lontano da fiamme e ventilare la stanza per il tempo necessario.

**AVVERTENZA** - Non utilizzare apparecchiature meccaniche o altri mezzi diversi da quelli consigliati dal produttore per accelerare il processo di sbrinamento.

**AVVERTENZA** - Non danneggiare il circuito del refrigerante.

**AVVERTENZA** - Non utilizzare componenti elettrici all'interno degli scomparti per la conservazione del cibo, a meno che non siano del tipo consigliato dal produttore.

**AVVERTENZA** - Se il cavo di alimentazione è danneggiato, deve essere sostituito dal produttore, dal suo agente per l'assistenza o da persone similmente qualificate per evitare rischi.

## Istruzioni per il trasporto

1. L'elettrodomestico deve essere trasportato

solo in posizione verticale. L'imballaggio fornito deve essere intatto durante il trasporto.

2. Se l'elettrodomestico è stato trasportato in posizione orizzontale, non deve essere messo in funzione per almeno 4 ore per consentire al sistema di risistemarsi.

3. La mancata osservanza delle istruzioni sopra riportate può causare danni all'elettrodomestico dei quali il produttore non è responsabile.

4. L'elettrodomestico deve essere protetto da pioggia, umidità e altri fenomeni atmosferici.

### Importante!

- È necessario fare attenzione quando si pulisce/trasporta l'elettrodomestico affinché quest'ultimo non tocchi la parte inferiore dei cavi metallici del condensatore sulla parte posteriore dell'elettrodomestico in quanto potrebbero verificarsi lesioni alle dita e alle mani.

- Non tentare di sedersi o di stare in piedi sull'elettrodomestico poiché non è progettato per tale uso. Potrebbero risultarne lesioni personali o danni all'elettrodomestico.

- Assicurarsi che i cavi principali non siano impigliati sotto l'elettrodomestico durante e dopo lo spostamento poiché potrebbero derivarne danni ai cavi.

- Non permettere ai bambini di giocare con l'elettrodomestico o di manomettere i comandi.

## Istruzioni di installazione

1. Non tenere l'elettrodomestico in un ambiente in cui la temperatura scenderà con ogni probabilità sotto i 10 °C (50 °F) di notte e/o in inverno, poiché è progettato per il funzionamento a temperature comprese tra i +10 e +43°C (50 e 109 °F). A temperature più basse, l'elettrodomestico potrebbe non funzionare, provocando una riduzione nella durata di conservazione del cibo.

2. Non posizionare l'elettrodomestico vicino a fornelli o radiatori o alla luce diretta del sole, poiché ciò causerebbe ulteriore sollecitazione sulle funzioni dell'elettrodomestico. Se viene installato accanto a una fonte di calore o a un freezer, mantenere le seguenti distanze laterali minime:

Da fornelli 30 mm

Da radiatori 300 mm

Da freezer 25 mm



3. Assicurarsi che ci sia spazio sufficiente intorno all'elettrodomestico per garantire la libera circolazione dell'aria **(2)**.
  - Collocare il coperchio di aerazione posteriore sul retro del frigorifero per impostare la distanza tra il frigorifero e il muro **(3)**.
4. L'elettrodomestico deve essere collocato su una superficie piana. È possibile regolare i due piedi anteriori come necessario. Per assicurare che l'elettrodomestico sia in posizione verticale regolare i due piedi anteriori ruotandoli in senso orario o antiorario finché non si ottiene contatto stabile con il pavimento. La corretta regolazione dei piedi previene vibrazione e rumore eccessivi **(4)**.
5. Consultare il capitolo "Pulizia e manutenzione" per preparare l'elettrodomestico per l'uso.

### **Controllo e regolazione della temperatura**

La temperatura del freezer viene regolata mediante il tasto di regolazione della temperatura del freezer **(si consigliano 2 o 3 posizioni)**.

In generale, la temperatura è inferiore a -18°C. È possibile raggiungere temperature inferiori portando la manopola del termostato sulla posizione MAX.

Si consiglia di controllare la temperatura con un termometro per assicurare che gli scomparti di conservazione restino della temperatura desiderata. Ricordare di effettuare la lettura subito poiché la temperatura del termometro si alzerà con molta rapidità dopo che è stato rimosso dal freezer.

Ricordare che ogni volta che viene aperto lo sportello l'aria fredda si disperde e la temperatura interna aumenta. Pertanto, non lasciare mai lo sportello aperto e accertarsi di chiuderli immediatamente dopo averli introdotto o prelevato del cibo.

### **Prima della messa in funzione**

#### **Controllo finale**

Prima di cominciare a utilizzare il freezer controllare che:

1. I piedi siano stati regolati per un livellamento perfetto.

2. L'interno sia asciutto e l'aria circoli liberamente nella parte posteriore.

3. L'interno sia pulito come consigliato nel capitolo "PULIZIA E MANUTENZIONE".

4. La spina sia stata inserita nella presa a muro e l'alimentazione elettrica sia accesa. Evitare lo scollegamento accidentale picchiando sull'interruttore.

#### **Si noti che:**

5. Si udrà un rumore quando il compressore si avvia. I liquidi e i gas sigillati nel sistema refrigerante possono produrre dei rumori, che il compressore sia in funzione o meno. Ciò è abbastanza normale.

6. Per congelare cibi freschi, utilizzare lo scomparto contrassegnato da 4 stelle (si consiglia il secondo ripiano).

7. Non inserire in una quantità troppo grande di cibi in una sola volta. La qualità dei cibi si conserva se vengono congelati nel minor tempo possibile. Pertanto è opportuno non superare la capacità di congelamento dell'elettrodomestico indicata nella sezione "*Record elettrodomestico*". La manopola del termostato verrà regolata in modo da raggiungere la temperatura più bassa all'interno del freezer, con la funzione di congelamento rapido attivata e la spia arancione illuminata.

8. Non caricare l'elettrodomestico appena lo si accende. Attendere finché non viene raggiunta la temperatura di conservazioni corretta. Si consiglia di controllare la temperatura con un termometro di precisione (vedere il capitolo Controllo e regolazione della temperatura).

#### **Nota importante:**

In caso di interruzione di alimentazioni, non aprire lo sportello. Il cibo congelato non subirà effetti negativi se il guasto dura meno di 19 ore. Se l'interruzione della corrente è prolungata, è necessario controllare il cibo e mangiarlo immediatamente o cucinarlo e ricongelarlo.

## **Pannello di controllo freezer**

5

Il pannello di controllo regola la temperatura nel freezer e ha le seguenti funzioni:

### **1 - LED arancione - congelamento rapido attivato**

Quando si ruota il pulsante di impostazione della temperatura del freezer (4) sulla posizione „FAST FREEZE”, il led arancione (1) si accende e l'apparecchio opera a temperatura minima. Il LED arancione si spegne dopo 50 ore di funzionamento a temperatura minima.

### **2 - LED verde - alimentazione attivata (tensione)**

Si accende quando l'apparecchio è collegato alla rete e resta accesa finché l'alimentazione è attivata. Il LED verde non fornisce informazioni sulla temperatura all'interno del freezer.

### **3 - Led rosso - allarme alta temperatura**

### **4 - Tasto di impostazione della temperatura**

#### **Allarme di alta temperatura**

Quando l'apparecchio è acceso per la prima volta, l'allarme non è attivo per 12 ore (il led rosso è spento).

Dopo questo periodo, il led rosso può illuminarsi (led rosso è acceso) nei casi che seguono:

- Se l'elettrodomestico è sovraccarico di cibi freschi
- Se lo sportello viene lasciato aperto per errore.

In questi casi, il led rosso resta acceso finché l'apparecchio raggiunge la temperatura preimpostata.

Se il LED rosso è acceso, aspettare 24 ore prima di chiamare l'assistenza autorizzata.

#### **Importante:**

Le temperature ottenute all'interno possono variare in base alle condizioni di utilizzo dell'elettrodomestico: collocazione, temperatura ambientale, frequenza dell'apertura dello sportello, livello di carico di cibo. L'impostazione della temperatura sarà modificata in base a queste condizioni.

Se il LED rosso è acceso, aspettare 24 ore prima di chiamare l'assistenza autorizzata. Potrebbe essere a causa di cibi caldi posizionati nel freezer e/o dello sportello lasciato aperto.

Dopo 24 ore di funzionamento, la spia di allarme per l'alta temperatura (LED rosso) dovrebbe spegnersi.

### **Funzione congelamento rapido**

Per attivare la funzione di congelamento rapido, regolare la manopola di impostazione della temperatura sulla posizione „FAST FREEZE”. Si consiglia di mettere nello scomparto freezer gli alimenti che si desidera congelare rapidamente 24 ore dopo aver attivato la funzione di congelamento rapido. Quando è attivato il congelamento rapido, il frigorifero opera con l'impostazione di temperatura minima per il freezer. La funzione di congelamento rapido dura 50 ore. Alla fine, il frigorifero torna alle condizioni normali di utilizzo con una temperatura impostata su 3 anche se la manopola è ancora sulla posizione „FAST FREEZE”. Questa funzione di ecodesign garantisce il risparmio energetico quando la funzione di congelamento rapido non viene annullata per qualsiasi motivo. La capacità di congelamento del frigorifero è misurata e dichiarata con la funzione di congelamento rapido attiva.

### **Conservazione di cibo congelato**

Il freezer è adatto alla conservazione a lungo termine di cibi congelati disponibili in commercio e può essere inoltre utilizzato per congelare e conservare cibi freschi.

In caso di interruzione di alimentazioni, non aprire lo sportello. Il cibo congelato non verrà danneggiato se la mancanza di alimentazione dura meno di 19 ore. Se dura di più, è necessario controllare il cibo e mangiarlo immediatamente o cuocerlo e quindi congelarlo di nuovo.

## ***Congelamento di cibi freschi***

Attenersi alle seguenti istruzioni per ottenere i risultati migliori.

Non congelare quantità troppo grandi in una volta sola. La qualità del cibo viene preservata in modo ottimale quando il cibo viene congelato il più velocemente possibile.

Se è necessario congelare grandi quantità di cibo fresco, regolare la manopola di controllo sulla posizione „FAST FREEZE” 24 ore prima di inserire il cibo fresco nello scomparto per il congelamento rapido.

Si consiglia di tenere la manopola sulla posizione „FAST FREEZE” per almeno 24 ore per congelare la quantità massima di alimenti freschi riportata come capacità di congelamento. Fare attenzione a non mescolare cibi congelati e cibi freschi.

È possibile congelare piccole quantità di alimenti fino a 1/2 Kg (1 lb) senza utilizzare la funzione di congelamento rapido.

Fare attenzione a non mescolare cibi già congelati e cibi freschi.

## ***Preparazione dei cubetti di ghiaccio*** **(6)**

Riempire la vaschetta per cubetti di ghiaccio per 3/4 con acqua e metterla nel freezer.

Allentare la vaschetta congelata con un cucchiaio o un attrezzo simile; non utilizzare mai oggetti appuntiti come coltelli o forchette.

## ***Conoscere l'elettrodomestico*** **(1)**

- 1 - Pannello di controllo, visualizzazione e regolazione
- 2 - Supporto per vaschetta del ghiaccio e vaschetta del ghiaccio
- 3 - Scomparto per il congelamento rapido
- 4 - Scomparti per la conservazione di cibi congelati
- 5 - Piedi anteriori regolabili

## ***Sbrinamento***

Sbrinare il freezer almeno due volte all'anno o quando lo strato di ghiaccio diventa troppo spesso.

- La formazione di ghiaccio è un fenomeno normale.
- La formazione di ghiaccio, soprattutto nella parte alta dello scomparto, è un fenomeno naturale e non influenza il buon funzionamento dell'elettrodomestico.
- Si consiglia di sbrinare l'elettrodomestico quando la quantità di cibo congelato non è troppo elevata.
- Prima di procedere allo sbrinamento, impostare il termostato di regolazione sulla posizione massima per congelare rapidamente i cibi. In questo periodo la temperatura dell'elettrodomestico non deve essere troppo bassa.
  - Scollegare l'elettrodomestico;
  - Estrarre il cibo congelato, avvolgerlo in vari fogli di carta e metterlo in un posto freddo.
  - Lasciare lo sportello aperto per il congelamento rapido e inserire dei recipienti con acqua calda (max. 80 °C).

Non utilizzare oggetti appuntiti come coltelli o forchette per rimuovere il ghiaccio.

Non utilizzare mai asciugacapelli, stufe o altri elettrodomestici simili per lo sbrinamento.

Al termine dello sbrinamento, chiudere la parte sbrinata e asciugare l'interno **(7 e 8)**.

## ***Pulizia e manutenzione***

1. Si consiglia di spegnere l'elettrodomestico dalla presa e di scollegare il cavo di alimentazione prima di pulire.
2. Non utilizzare mai attrezzi appuntiti o sostanze abrasive, saponi, detergenti per la casa o cere per la pulizia.
3. Utilizzare acqua tiepida per pulire l'armadietto del dispositivo e asciugarlo.
4. Utilizzare un panno umido intriso di una soluzione composta da un cucchiaino di bicarbonato di soda e da circa mezzo litro di acqua e pulire l'interno, quindi asciugare.

5. Se l'elettrodomestico non viene usato per un lungo periodo di tempo, spegnerlo, togliere tutti gli alimenti dal suo interno, pulirlo e lasciare lo sportello aperto.

6. Si consiglia di pulire le parti metalliche del prodotto (ad esempio l'esterno dello sportello e i lati dell'armadietto) con una cera al silicone (lucidante per auto) per proteggere la finitura della vernice di alta qualità.

7. La polvere che si raccoglie sul condensatore, che si trova sul retro dell'elettrodomestico, deve essere rimossa una volta all'anno con un aspirapolvere.

8. Controllare le guarnizioni dello sportello periodicamente per garantire che siano pulite e che non siano presenti particelle di cibo.

9. Non:

- Pulire l'elettrodomestico con sostanze non adatte ad esempio prodotti a base di petrolio.
- Esporre mai ad alte temperature in alcun modo.
- Strofinare, sfregare o simili con sostanze abrasive.

10. Eccessivi depositi di ghiaccio devono essere rimossi periodicamente. Un grande accumulo di ghiaccio influenzerà negativamente le prestazioni del freezer.

11. Per rimuovere un cassetto, tirarlo fuori per quanto è possibile, rovesciarlo e poi estrarlo completamente.

### ***Riposizionamento dello sportello***

Procedere seguendo l'ordine numerico (9).

### ***Cosa fare e cosa non fare***

- Sì** - Verificare il contenuto del ad intervalli regolari.
- Sì** - Pulire e sbrinare periodicamente l'elettrodomestico (vedere "Sbrinamento")
- Sì** - Conservare il cibo per brevi periodi come possibile e attenersi alle date di scadenza .
- Sì** - Conservare i cibi congelati in commercio seguendo le istruzioni presenti sulla confezione.
- Sì** - Scegliere sempre cibo fresco di alta qualità e assicurarsi che sia completamente pulito prima di congelarlo.
- Sì** - Preparare il cibo fresco per il congelamento in piccole porzioni per assicurare un congelamento rapido.
- Sì** - Avvolgere i cibi congelati subito dopo l'acquisto e metterli nel freezer appena possibile.
- Sì** - Separare i cibi nei vari scomparti e compilare la scheda, in modo che sia possibile trovare rapidamente il cibo ed evitare un'eccessiva aperture dello sportello, risparmiando elettricità.

- No** - Non lasciare lo sportello aperto per lunghi periodi poiché il funzionamento dell'elettrodomestico diventa più costoso e causa un'eccessiva formazione di ghiaccio.
- No** - Non usare mai oggetti con bordi taglienti come coltelli o forchette per rimuovere il ghiaccio.
- No** - Non introdurre cibi caldi nell'elettrodomestico. Attendere prima che si raffreddino.
- No** - Non inserire bottiglie riempite di liquidi o barattoli di latta contenenti liquidi carbonati nel freezer in quanto possono scoppiare.
- No** - Non conservare sostanze velenose o pericolose nell'elettrodomestico. È stato progettato solo per la conservazione di cibi commestibili.
- No** - Non superare il carico massimo di congelamento durante il congelamento di cibi freschi.
- No** - Consumare gelati e ghiaccio presi direttamente dal freezer. La bassa temperatura può provocare bruciature da freddo alle labbra.
- No** - Non congelare bevande gasate.
- No** - Non tentare di conservare cibi congelati che si sono scongelati; devono essere mangiati entro 24 ore o cucinati e ricongelati.
- No** - Non rimuovere il cibo dal freezer con le mani bagnate.
- No** - Chiudere lo sportello prima di sostituire il coperchio dello scomparto per il congelamento rapido.

### ***Risoluzione dei problemi***

Se l'elettrodomestico non funziona quando è acceso, controllare:

- che la spina sia inserita correttamente nella presa e che l'alimentazione sia accesa (per controllare l'alimentazione della presa, collegare ad essa un altro elettrodomestico)
- se il fusibile è bruciato/l'interruttore di distribuzione è spento.
- che il comando della temperatura sia impostato correttamente.
- che la nuova spina sia cablata correttamente se è stata cambiata la spina.

Se l'elettrodomestico ancora non funziona dopo i controlli elencati in precedenza, contattare il distributore presso il quale è stata acquistata l'unità.

Assicurarsi di aver effettuato questi controlli poiché verrà richiesto un sovrapprezzo se non viene trovato alcun guasto.

### Consumo energetico

Il volume massimo di conservazione di cibi freddi può essere ottenuto senza usare i cassetti che si trovano nel freezer. Il consumo energetico dell'apparecchio è dichiarato quando il freezer è completamente carico senza usare i cassetti.


### Consigli pratici sulla riduzione del consumo energetico

1. Assicurarsi che l'apparecchio si trovi in aree ben ventilate, lontano da fonti di calore (cucina, termosifoni, ecc.). Allo stesso tempo, la posizione dell'apparecchio deve essere scelta in modo tale da impedire che sia sotto la luce diretta dei raggi solari.
2. Assicurarsi che gli alimenti acquistati raffreddati/congelati siano posti nell'apparecchio appena possibile, soprattutto in estate. Si consiglia di usare borse termiche isolate per trasportare gli alimenti a casa.
3. Consigliamo di ridurre al minimo il numero di aperture dello sportello.
4. Non tenere lo sportello dell'apparecchio aperto più del necessario ed assicurarsi che dopo ogni apertura lo sportello sia ben chiuso.

### Informazioni sul rumore e sulle vibrazioni che possono presentarsi durante il funzionamento dell'apparecchio

1. Il rumore del funzionamento può aumentare durante l'uso.
  - Per mantenere le temperature ai valori regolati, i compressori dell'elettrodomestico si avviano periodicamente. Il rumore prodotto dal compressore diventa più forte quando si avvia e si può sentire un clic quando si arresta.
  - Le prestazioni e le caratteristiche di funzionamento dell'apparecchio possono cambiare secondo le modifiche della temperatura nell'ambiente. Ciò è considerato normale.
2. Rumori come liquidi che scorrono o vengono spruzzati
  - Questi rumori sono provocati dal flusso del refrigerante nel circuito dell'apparecchio e sono conformi al principio di funzionamento dell'apparecchio.
3. Ulteriori vibrazioni e rumori.
  - Il livello di rumore e vibrazioni può essere provocato dal tipo e dall'aspetto del pavimento su cui l'apparecchio è posizionato. Assicurarsi che il pavimento non abbia significativi livelli di distorsione o che possa sostenere il peso dell'apparecchio (è flessibile).
  - Un'altra fonte di rumore e vibrazioni è rappresentata dagli oggetti posti sull'apparecchio. Questi oggetti devono essere rimossi dall'apparecchio



Il simbolo  sul prodotto o sulla confezione indica che questo prodotto non può essere trattato come normale rifiuto domestico. Invece deve essere portato al punto di raccolta adatto per il riciclaggio delle apparecchiature elettriche ed elettroniche. Assicurando il corretto smaltimento di questo prodotto, si evitano potenziali conseguenze negative per l'ambiente e la salute, che potrebbero derivare da una gestione inappropriata del prodotto. Per informazioni più dettagliate sul riciclaggio di questo prodotto, contattare l'ufficio cittadino locale, il servizio di smaltimento dei rifiuti domestici o il negozio dove è stato acquistato il prodotto.

Вітаємо вас з придбанням високоякісного морозильника **ВЕКО**, що буде Вам служити тривалий час.

### **Безпека перш за все!**

Не вмикайте морозильник до електромережі, доки не приберете всю упаковку і транспортувальні кріплення.

- Якщо ви перевозили морозильник у горизонтальному положенні,

Не вмикайте його після розпакування принаймні 4 години, для того, щоб всі системи прийшли до норми.

- Якщо ви викидаєте старий морозильник, и в нього на дверях є замок чи засув, впевніться, що вони в робочому стані, щоб діти граючись, випадково не опинилися в ньому зачиненими.

- Морозильник має використовуватись лише за призначенням.

- Позбуваючись старого морозильника, не намагайтеся його спалити. В теплоізоляції морозильника використовуються займісті матеріали. Ми радимо вам зв'язатися з місцевими органами влади для отримання інформації стосовно того, куди можна викинути старий морозильник.

- Ми не рекомендуємо користуватися морозильником в неопалюваному, холодному місці (наприклад, гаражі, на складі, в прибудові, під навісом, у надвірній прибудові і т.н.) Щоб забезпечити максимально ефективну і безперебійну роботу морозильника, дуже важливо уважно прочитати цю інструкцію. Поламка морозильника в результаті недотримання наших рекомендацій може позбавити Вас права на безкоштовне обслуговування впродовж гарантійного періоду.

Будь ласка, зберігайте цю інструкцію в надійному місці, щоб її можна було легко знайти в разі необхідності.

**Пристрій не призначений для використання людьми зі зниженими фізичними або розумовими здібностями, а також порушеннями чутливості. Люди, що не мають досвіду поводження з даними пристроєм, можуть використовувати його лише під наглядом досвідчених осіб, відповідальних за безпеку. Використання пристрою дітьми також має відбуватися під контролем дорослих.**

## Вимоги до електропостачання

Перед тим, як вставити штепсель до електричної розетки, впевніться, що напруга і частота струму, вказані на заводській марці всередині морозильника, відповідають напрузі та частоті струму у Вашому будинку. Ми рекомендуємо підключати морозильник до електромережі через розетку, належним чином встановлену у легкодоступному місці. Після встановлення приладу вилка має знаходитися у легкодоступному місці, щоб пристрій можна було від'єднати від мережі живлення.

### **Увага! Морозильник має бути заземлений.**

Ремонт електрообладнання мають виконувати тільки кваліфіковані фахівці. У разі пошкодження з'єднувального кабелю для усунення небезпеки його має замінити виробник або сервісний центр.

### **Увага!**

В системі охолодження морозильника циркулює газ R600a, що не має шкідливого впливу на навколишнє середовище, але легко займається. Під час транспортування та встановлення морозильника намагайтесь не пошкодити систему охолодження. Якщо пошкодження таки сталося і має місце витік газу з системи охолодження, слідкуйте за тим, щоб поряд із морозильником не було джерел відкритого вогню добре провітрить приміщення

**УВАГА** - Не користуйтесь жодними механічними пристосуваннями окрім тих, що рекомендуються в цій інструкції для прискорення розморожування морозильника та очищення морозильної камери від льоду.

**УВАГА** - Не допускайте пошкоджень системи охолодження.

**УВАГА** - Не встановлюйте всередині морозильника електричних пристосувань, окрім тих, що рекомендовані виробником морозильника.

**УВАГА** - Для запобігання нещасним випадкам, якщо шнур живлення пошкоджений, його має замінити виробник, його спеціаліст з сервісу чи інша особа, котра має аналогічну кваліфікацію.

## Інструкція з транспортування

1. Морозильник має транспортуватися лише у вертикальному стані. Заводська упаковка під час транспортування має залишитись непошкодженою.
2. Якщо морозильник під час транспортування був розміщений горизонтально, їм не слід користуватися принаймні 4 години, щоб всі його системи прийшли до норми.
3. Виробник не несе відповідальності за пошкодження морозильника, якщо порушуються вищезгадані рекомендації.
4. Морозильник має бути захищений від дощу, вологи та інших атмосферних впливів.

### **Важливе зауваження!**

- Слід бути обережними під час чистки або переміщення морозильника и не торкатися металічних частин конденсатора в задній частині морозильника, бо в результаті можна пошкодити пальці та руки.
- Не сідайте и не ставайте на морозильник. Він для цього не призначений. Ви можете отримати травму чи пошкодити морозильник.
- Впевніться, що електричний провід не потрапив під морозильник під час і після переміщення морозильника, інакше його можна пошкодити.
- Не дозволяйте дітям грати з морозильником або гратися з ручками чи кнопками керування.

## Інструкція зі встановлення.

1. Не ставте морозильник в приміщенні, де температура може опускатися нижче 10 °C вночі або, особливо, взимку, оскільки морозильник розрахований на роботу за температури навколишнього середовища в межах від +10 до +43 °C. За більш низької температури морозильник може не працювати і термін зберігання продуктів в ньому має бути скорочений.
2. Не встановлюйте морозильник поблизу від кухонних плит або радіаторів опалення чи на прямому сонячному світлі, оскільки це викличе додаткове навантаження на агрегати морозильника. якщо ви змушені встановлювати морозильник поряд із джерелом тепла або морозильником, забезпечте наступну мінімальну відстань:

від кухонних плит 30 мм

від радіаторів опалення 300 мм

від морозильників 25мм



3. Намагайтесь, щоб навколо морозильника було достатньо вільного місця і повітря вільно циркулювало (**див. мал. 2**).

• Встановіть вентиляційну кришку на задньому боці морозильника для того, щоб забезпечити необхідну відстань між морозильником і стіною (**див. мал. 3**).

4. Морозильник має стояти на рівній поверхні. Дві передні ніжки мають бути відповідним чином відрегульовані. Щоб досягти суворо вертикального положення морозильника, відрегулюйте ніжки, обертаючи їх за або проти годинникової стрілки, доки вони не будуть стійко стояти на підлозі.

Правильне регулювання ніжок морозильника попереджує надмірну вібрацію та шум (**див. мал. 4**).

5. Зверніться до розділу “Чищення морозильника і догляд за ним”, щоб підготувати морозильник до експлуатації.

## Регулювання температури

Регулювання температури в морозильнику здійснюється за допомогою ручки встановлення температури в морозильнику (**рекомендовані положення 2 або 3**).

Загалом це температура нижче  $-18^{\circ}\text{C}$ . Для одержання нижчих температур поверніть ручку термостата в бік позначки MAX.

Ми радимо Вам періодично перевіряти термометром чи зберігається всередині морозильника потрібна температура. Показники термометра змінюються швидко, тому намагайтесь відмітити температуру одразу ж, щойно дістанете термометр з морозильника.

Мы советуем Вам периодически Пам'ятайте, що при частому відчиненні дверцят холодне повітря виходить з морозильника і температура всередині підвищується, тому не залишайте двері відчиненими і намагайтесь зачинити їх якомога швидше.

## Перед початком роботи

### Остання перевірка

Перед початком експлуатації морозильника перевірте наступне:

1. Передні ніжки мають бути відрегульовані так, щоб забезпечувати стійке положення морозильника.

2. Всередині морозильника має бути сухо, повітря за ним повинно циркулювати вільно.

3. Морозильник всередині має бути чисто вимитим, як рекомендується у розділі, “Чищення морозильника і догляд за ним”.

4. Штепсель повинен бути вставлений у розетку та електричний струм ввімкнутий.

### Зверніть увагу на те, що:

5. Ви будете чути шум при ввімкненні компресора. Рідина та газ всередині системи охолодження також можуть створювати деякий шум, незалежно від того, працює компресор чи ні. Це цілком нормально.

6. Для заморожування свіжих продуктів використовуйте відділення, позначене 4 зірочками (рекомендовано другу полицю).

7. Не заморожуйте продукти одразу у великій кількості за один раз. Продукти краще зберігаються, якщо вони проморожені наскрізь максимально швидко. Тому не

перевантажуйте морозильну камеру понад її потужність (див. таблицю «Технічні характеристики»). Для того щоб у морозильній камері встановилася найнижча температура, слід перевести регулятор температури в положення, відповідне режиму швидкого заморожування. Під час дії цього режиму світиться оранжевий індикатор.

8. Не завантажуйте морозильник одразу після ввімкнення. Зачекайте, доки всередині не встановиться потрібна температура. Ми радимо перевіряти температуру точним термометром. (див. розділ «Регулювання температури»).

## Панель управління морозильної камери

### (Рис. 5)

За допомогою панелі управління можна налаштувати температуру в морозильній камері. Вона має такі функції:

**1 - Оранжева індикаторна лампочка - увімкнення швидкого заморожування**  
Якщо встановити регулятор температури в морозильній камері (4) у положення "FAST FREEZE" (Швидке заморожування), вмикається оранжевий індикатор (1), і морозильна камера починає працювати в режимі найнижчої температури. Цей режим діє протягом 50 годин, після чого оранжевий індикатор вимикається.

**2 - Зелена індикаторна лампочка - електроживлення під'єднане** (напруга)  
Загоряється при підключенні приладу до мережі живлення та світиться, поки джерело живлення доступне. Зелена індикаторна лампочка не надає інформацію про температуру всередині морозильної камери.

**3 - Червона індикаторна лампочка - сигналізація високої температури**

**4 - Ручка регулювання температури**

**Сигналізація високої температури**

Після першого увімкнення приладу сигналізація вимкнена протягом 12 годин (червона індикаторна лампочка не горить). По завершенні цього періоду червона індикаторна лампочка загоряється в таких випадках:

- якщо прилад перевантажено свіжими продуктами;
- якщо дверцята помилково залишені відчиненими.

Червона індикаторна лампочка світитиметься, поки прилад не досягне попередньо встановленої температури. Якщо червона індикаторна лампочка засвітилася, звертайтеся до авторизованої сервісної служби лише по завершенні доби.

**Важливе зауваження:**

Температура всередині морозильника залежить від конкретних умов експлуатації: від того, де встановлено морозильник, яка температура у приміщенні, як часто відчиняють дверцята морозильника, наскільки його завантажено свіжими продуктами. Для регулювання температури встановлюйте ручку термостату відповідно до цих умов. Якщо загоряється червона лампочка, не поспішайте викликати майстра. Зачекайте добу. Можливо, ви поклали надто багато свіжих продуктів одразу або надто довго були відчинені дверцята. Якщо це так, то за добу червона лампочка згасне.

**Режим швидкого замороження**

Режим ШВИДКОГО ЗАМОРОЖУВАННЯ вмикається поворотом регулятора температури в положення "FAST FREEZE" (Швидке заморожування). Рекомендується вмикати режим швидкого заморожування за 24 години до завантаження продуктів, які потрібно швидко заморозити, в морозильну камеру. На час дії режиму швидкого заморожування в морозильній камері холодильника встановлюється найнижча можлива температура. Тривалість дії режиму швидкого заморожування — 50 години. Після закінчення дії цього режиму в холодильнику знову встановлюється нормальний режим, який відповідає положенню регулятора температури "3", навіть якщо регулятор все ще знаходиться в положенні "FAST FREEZE" (Швидке заморожування). Передбачена у приладі функція енергозбереження дає змогу автоматично вимкнути режим швидкого заморожування, якщо він не був вимкнений вручну. Наведена продуктивність холодильника по заморожуванню була визначена під час дії режиму швидкого заморожування.

**Зберігання заморожених продуктів**

Морозильник розрахований на тривале збереження харчових продуктів, Заморожених промисловим способом, а Також може бути використаний для замороження і зберігання свіжих продуктів. В разі перебоїв із електропостачанням не відкривайте дверцята морозильника. Заморожені продукти не постраждають, якщо електропостачання перервано менше, ніж на 19 годин. Якщо струму немає більш тривалий час, то слід перевірити продукти, що зберігаються і негайно використати їх або проварити і заморозити знову.

## Заморожування свіжих продуктів

Будь ласка, дотримуйтеся наступних інструкцій для отримання найкращих результатів.

Не заморожуйте продукти одразу в надто великій кількості за один раз.

Продукти краще зберігаються, якщо вони проморожені наскрізь максимально швидко.

Якщо потрібно заморозити велику кількість свіжих продуктів, регулятор температури слід встановити в положення "FAST FREEZE" (Швидке заморожування) за 24 години до завантаження продуктів до морозильної камери.

Для заморожування максимально можливої кількості свіжих продуктів (відповідно до наведеної продуктивності по заморожуванню), рекомендується встановити регулятор температури в положення "FAST FREEZE" (Швидке заморожування) щонайменше за 24 години до завантаження продуктів. Майте на увазі, що не можна змішувати заморожені та свіжі продукти.

Продукти у невеликій кількості (до 0,5 кг) можна заморожувати, не використовуючи функцію швидкого заморожування.

Зверніть особливу увагу на те, що не можна змішувати вже заморожені та свіжі продукти.

## Заморожування льоду

(Рис. 6)

Заповніть лоток для льоду водою на 3/4 і помістіть його у морозильне відділення.

Діставайте кубики льоду ручкою ложки або іншим подібним інструментом; ніколи не користуйтеся гострими або ріжучими предметами.

## Загальні відомості

(Мал. 1)

1. Панель керування, індикація та настройка
2. Лоток заморозки льоду
3. Відділення швидкого замороження
4. Відділення для зберігання заморожених продуктів
5. Регульовані передня ніжки

## Розморожування морозильника

Будь ласка, розморожуйте морозильник принаймні 2 рази на рік, або коли на стінках утворюється надто багато льоду.

- Утворення льоду та наморозі – цілком нормальне явище.
- Лід, що утворюється на верхній стінці відділення для зберігання продуктів не заважає роботі морозильника.
- Рекомендується розморожувати морозильник, коли в ньому мало продуктів.
- Перед тим, як розморожувати морозильник, встановіть за допомогою термостату максимально низьку температуру, щоб якомога сильніше проморозити продукти, що зберігаються в морозильнику.
  - Вимкніть морозильник з електромережі, витягнувши провід з розетки.
  - Витягніть з морозильника продукти, загорніть їх у декілька шарів паперу і поставте в холодне місце.
  - Відчиніть дверцята морозильника і поставте всередину ємкість з теплою водою (не гарячою 80 °C).
- Ніколи не користуйтеся гострими або ріжучими предметами (на кшталт ножів або виделок) для видалення льоду.
- Ніколи не користуйтеся феном для сушіння волосся та іншими електронагрівальними приладами для розморожування морозильника.
- По закінченні розморожування вимийте морозильник зсередини як описано в розділі «Чистка морозильника та догляд за ним» (Мал. 7&8).

## Чищення морозильника і догляд за ним

1. Ми радимо вам вимикати морозильник вимикачем і витягувати штепсель з електричної розетки перед чищенням.
2. Ніколи не користуйтеся для чищення морозильника гострими інструментами або абразивними матеріалами, милом, побутовими засобами для чищення, м'якими або поліруючими засобами.
3. Для чищення корпусу морозильника Користуйтеся теплою водою і витирайте його насухо.
4. Змочіть ганчірку у розчині харчової соди (одна чайна ложка на півлітра води) для того, щоб вимити морозильник всередині, і протріть всі поверхні насухо.
5. Якщо ви не збираєтесь користуватися морозильником тривалий час, вимкніть його, заберіть з нього всі продукти, вимийте зсередини та залишіть дверцята не причиненими
6. Ми радимо Вам полірувати металеві частини корпусу (тобто, зовнішню поверхню дверей, бокові стінки) силіконовою мастикою (автомобільний поліроль) для того, щоб зберегти високу якість пофарбування.
7. Пил, що збирається на змійовику конденсатора, розташованому в задній частині морозильника, принаймні раз на рік слід видаляти пилососом.
8. Регулярно перевіряйте ущільнення дверцят, щоб пересвідчитися, що воно чисте і на ньому немає залишків продуктів.
9. Ніколи:
  - не чистіть морозильник не призначеними для цього засобами, такими, як наприклад, речовини, що містять бензин;
  - не піддавайте морозильник впливу високої температури;
  - не мийте, не протирайте і т.п. морозильник, використовуючи абразивні матеріали;
10. Регулярно розморожуйте морозильник, щоб видалити зайвий лід. Надмірно велика кількість льоду погано впливає на ефективність роботи морозильника.
11. Для того, щоб витягнути ящик, потягніть його на себе до кінця, трохи підніміть і витягніть зовсім.

## Перенавішування дверцят

Виконайте дії в послідовності, вказаній на схемі (Мал. 9).

### Що слід і чого не можна робити

- Слід** - частіше перевіряти продукти, що зберігаються у морозильній камері.
- Слід** - регулярно чистити і розморожувати морозильник (див. розділ «Розморожування»)
- Слід** - зберігати продукти впродовж якомога меншого часу і суворо дотримуватися термінів зберігання.
- Слід** - зберігати готові заморожені продукти відповідно до інструкцій, вказаних на упаковці.
- Слід** - завжди вибирати свіжі продукти високої якості і ретельно мити їх перед замороженням.
- Слід** - ділити свіжі продукти на маленькі порції, щоб вони швидше заморожувались.
- Слід** - якомога скоріше загортати щойно куплені заморожені продукти і класти їх до морозильної камери.
- Слід** - запаковувати продукти в окремі пакети і підписувати їх. Тоді Ви зможете швидше знайти необхідні продукти і Вам не потрібно буде надто часто відчиняти дверцята, що дозволить економити електроенергію.
- Не слід** - залишати дверцята морозильника відчиненими впродовж тривалого часу, бо це призведе до значного утворення льоду.
- Не слід** - користуватись гострими або ріжучими предметами (на кшталт ножів або виделок) для видалення льоду.
- Не слід** - використовувати гострі або ріжучі предмети, на кшталт ножів або виделок для видалення наморозі.
- Не слід** - ставити до морозильника гарячі продукти. Треба спершу дати їм прохолонутися.
- Не слід** - класти до морозильної камери пляшки, наповнені водою, або не відкриті банки газованої води, бо вони можуть розірватися.

**Не слід** - зберігати в морозильнику отруйні або небезпечні речовини.  
Морозильник призначений лише для зберігання харчових продуктів.

**Не слід** - переповнювати надміру морозильну камеру під час замороження свіжих продуктів.

**Не слід** - вживати морозиво або фруктону воду прямо з морозильної камери. Ви можете обморозити губи.

**Не слід** - заморожувати газовані напої.

**Не слід** - тривалий час зберігати розморожені продукти, їх треба використати впродовж доби або проварити і заморозити знов.

**Не слід** - діставати продукти з морозильника мокрими руками

**Не слід** - закривати кришку морозильника, не закривши кришку морозильної камери.

## Усунення несправностей

Якщо морозильник не працює, коли його ввімкнено, пересвідчіться:

- що штепсель вставлений до електричної розетки правильно і що електричний струм не вимкнений. (Для перевірки наявності струму ввімкніть до цієї розетки інший прилад);
- що не згорів запобіжник, не вимкнувся вимикач, чи не вимкнений головний вимикач на розподільчому щитку;
- що регулятор температури встановлений вірно;
- що новий штепсель, що використовується замість заводського, поставлений вірно.

Якщо морозильник все ще не працює після того, як Ви виконали перераховані вище перевірочні дії, порадьтеся із продавцем, в якого ви придбали морозильник.

Будь ласка, пересвідчіться, що перевірили все, що могли, бо в іншому разі може виявитися, що Вам доведеться платити гроші, якщо пошкоджень не буде виявлено.

## Енергоспоживання

Щоб у максимальній мірі використовувати простір морозильної камери для зберігання продуктів, слід вийняти з неї висувні контейнери. Дані про енергоспоживання холодильника наведені для умов, коли висувні контейнери вийняті, й морозильна камера повністю завантажена.

## Практичні рекомендації щодо зниження споживання електроенергії

1. Побутові електроприлади слід встановлювати у добре провітрюваних місцях подалі від джерел тепла, таких як кухонні плити, радіатори опалення й т.п. Крім того, слід уникати місць, куди потрапляє пряме сонячне проміння.

2. Придбані охолоджені чи заморожені продукти слід одразу класти відповідно у холодильне або морозильне відділення, особливо, у літню пору. Для доставки продуктів з магазину додому рекомендується використовувати термосумки.

3. Рекомендується відкривати дверцята якомога рідше.

4. Не залишайте дверцята приладу відкритими без потреби й стежте за тим, щоб вони завжди були щільно закриті.

## Вібрація й шум, які можуть виникати під час роботи приладу

1. У процесі роботи холодильника рівень шуму може підвищуватися.

- Для підтримання температури у відділеннях на заданому рівні періодично вмикається компресор приладу. У момент запуску компресора шум підсилюється, а при вимиканні компресора чутно клацання.

- Робочі характеристики приладу можуть змінюватися залежно від змін температури навколишнього середовища. Це нормальне явище.

2. Шум, схожий на звук рідини, що ллється чи розбризкується.

- Причиною таких шумів є циркуляція холодоагенту в системі охолодження, що відповідає принципам роботи приладу.


3. Інші вібрації й шуми.

- Рівень шуму й вібрації залежить від типу й якості підлоги, на якій встановлено прилад.

Підлога має бути досить рівною і витримувати вагу приладу.

- Джерелом шуму можуть бути предмети, які лежать на приладі. Такі предмети слід прибрати з приладу.



Символ  на виробі чи упаковці вказує, що цей прилад не слід утилізувати з побутовими відходами. Натомість його треба здати у відповідний пункт збору для утилізації електричного та електронного обладнання. Забезпечуючи належну утилізацію цього приладу, ви сприятимете запобіганню потенційним негативним наслідкам для довкілля та здоров'я людини, які можуть бути спричинені неправильним ставленням до утилізації цього виробу. За докладнішою інформацією щодо утилізації цього виробу зверніться до місцевої адміністрації, служби утилізації побутових відходів або до магазину, в якому ви придбали прилад.

**Виробник: 'S.C. Arctic S.A.',  
Gaesti, str.13 Desembrer №210,  
Romania (Румунія)**

**Офіційний представник на території  
України: ПП Коннект м.Хмельницький,  
вул Чорновола 23**

**Термін служби 10 років**

Дата виробництва міститься в серійному номері продукту, що вказаний на етикетці, розташованій на продукті, а саме, перші дві цифри серійного номера позначають рік виробництва, а останні дві - місяць. Наприклад, «10-100001-05» означає, що продукт виготовлений в травні 2010 року.

Інформацію про сертифікацію продукту Ви можете уточнити, зателефонувавши

Blahopřejeme k výběru kvalitního spotřebiče **BEKO** který je určen pro mnoho let služby.

### ***Bezpečnost především!***

Nezapojujte spotřebič do napájecí sítě, dokud neodstraníte všechny obalové a přepravní materiály.

- Před zapnutím nechte nejméně 4 hodin stát, aby se usadil olej v kompresoru po přepravě v horizontální poloze.
- Pokud likvidujete starý spotřebič s zámkem nebo západkou na dveřích, ujistěte se, že je v bezpečném stavu a dětem nehrozí uvíznutí uvnitř.
- Tento spotřebič musí být používán pro stanovený účel.
- Neodkládejte spotřebič do ohně. Váš spotřebič obsahuje v izolační vrstvě látky bez CFC, které jsou hořlavé. Doporučujeme kontaktovat místní úřady pro informace o likvidaci a dostupných zařízeních.
- Nedoporučujeme používat tento spotřebič v nevytápěné chladné místnosti. (např. garáž, sklad, přístavba, kůlna, hospodářské stavení atd.)

Pro co nejlepší výkonnost a bezporuchovou službu vašeho spotřebiče je velmi důležité pozorně si přečíst tyto pokyny. Nedodržením těchto pokynů se vystavujete riziku zrušení možnosti servisu zdarma po dobu záruční lhůty.

Uchovejte tyto pokyny na bezpečném místě pro snadné vyhledání.

**Tento spotřebič by neměly používat osoby se sníženou fyzickou, senzorickou nebo mentální způsobilostí a nebo s nedostatečnými zkušenostmi a poznatky. Tyto osoby mohou spotřebič používat jen pod dohledem osoby zodpovědné za jejich bezpečnost, a nebo pokud je zodpovědná osoba poučila o správném používání spotřebiče.**

**Děti by měly být pod dozorem, aby si nehrály se spotřebičem.**

### **Elektrické požadavky**

Před zasunutím zásuvky do sítě se ujistěte, že napětí a kmitočet na štítku uvnitř spotřebiče odpovídají vašemu zdroji. Doporučujeme připojit tento spotřebič do sítě přes vhodně vypínanou a zajištěnou zásuvku na snadno dostupném místě. Zásuvka musí být přístupná po instalaci tak, aby se umožnilo odpojení spotřebiče od napájení po instalaci.

### **Upozornění! Tento spotřebič musí být uzemněn.**

Opravy elektrického vybavení smí provádět jen kvalifikovaný odborník. Dojde-li k poškození napájecího kabelu, výrobce nebo zákaznický servis jej musí vyměnit, aby se předešlo nebezpečí.

### **POZOR!**

Tento spotřebič používá R600a, což je plyn, který je šetrný k životnímu prostředí, ale je hořlavý. Během přepravy a upevňování výrobku je třeba dbát zvýšené opatrnosti, aby nedošlo k poškození chladicí soustavy. Pokud je chladicí soustava poškozená a ze systému uniká plyn, udržte výrobek mimo otevřený oheň a nějakou dobu v místnosti větrejte.

**UPOZORNĚNÍ** – Nepoužívejte mechanické nástroje nebo jiné prostředky k urychlení procesu odmrazení s výjimkou těch, které doporučuje výrobce.

**UPOZORNĚNÍ** – Nepoškozujte chladicí obvod.

**UPOZORNĚNÍ** – Nepoužívejte elektrické spotřebiče uvnitř prostor na skladování potravin spotřebiče, pokud se nejedná o typy doporučené výrobcem.

**UPOZORNĚNÍ** – V případě poškození napájecího kabelu je nutno jej nechat vyměnit u výrobce, jeho servisního zástupce či podobně kvalifikované osoby, aby se předešlo nebezpečí.

### **Pokyny pro přepravu**

1. Spotřebič se smí přenášet jen ve svislé pozici. Obaly musí zůstat během přepravy neporušené.
2. Pokud byl spotřebič během přepravy umístěn vodorovně, nesmí být používán po vybalení nejméně 4 hodin, aby se systém mohl ustálit.

3. Nedodržení výše uvedených pokynů by mohlo vést k poškození spotřebiče, za které výrobce nezodpovídá.

4. Spotřebič je třeba chránit proti dešti, vlhku a jiným atmosférickým vlivům.

### **Důležité upozornění!**

- Při čištění/přenášení spotřebiče se nedotýkejte spodní části kovových kabelů kondenzátoru na zadní straně spotřebiče, mohlo by dojít k poranění prstů a rukou.
- Nepokoušejte se stoupat nebo sedat na horní okraj spotřebiče, jelikož na toto není určen. Mohli byste se zranit nebo poškodit spotřebič.
- Ujistěte se, že napájecí kabel není zachycen pod spotřebičem během a po přesouvání, mohlo by to poškodit kabel.
- Nedovolte dětem hrát si se spotřebičem nebo manipulovat s ovladači.

### **Pokyny pro instalaci**

1. Nepřechovávejte spotřebič v místnosti, kde může teplota klesnout pod 10°C v noci a/nebo zejména v noci, jelikož je určen na provoz v teplotách mezi +10 a +43 stupni Celsia. Při nižších teplotách nemusí spotřebič fungovat, čímž poklesne doba skladovatelnosti potravin.
2. Neumísťujte spotřebič do blízkosti sporáků nebo radiátorů nebo na přímé sluneční světlo, dojde tím ke zvýšenému napětí funkcí spotřebiče. Při instalaci v blízkosti zdroje tepla nebo mrazničky udržujte minimální odstupy po stranách:
  - Od sporáků 30 mm
  - Od radiátorů 300 mm
  - Od mrazniček 25 mm
3. Ujistěte se, že kolem spotřebiče je dostatečný odstup tak, aby se zaručil volný oběh vzduchu (**Položka 2**).
  - Umístěte zadní odvětrávací víko na zadní stranu vaší chladničky, abyste viděli vzdálenost mezi chladničkou a stěnou (**Položka 3**).



4. Spotřebič by měl být umístěn na hladkém povrchu. Obě přední nožky lze nastavit dle potřeby. Abyste měli jistotu, že váš spotřebič stojí vzpřímeně, nastavte obě přední nožky tak, že jimi otočíte doprava nebo doleva, dokud není zajištěn pevný kontakt s podlahou. Správným nastavením nožek předejdete přílišným vibracím a hluku (**Položka 4**).

5. Informace pro přípravu spotřebiče na použití naleznete v oddíle „Čištění a údržba“.

### **Kontrola a nastavení teploty**

Na teplotu mrazničky má vliv tlačítko nastavení teploty mrazničky (doporučena je poloha 2 nebo 3). Obecně platí, že tato teplota je pod -180. Nižších teplot lze dosáhnout nastavením tlačítka termostatu směrem k poloze MAX.

Doporučujeme kontrolovat teplotu teploměrem, abyste měli jistotu, že skladovací prostory mají stále požadovanou teplotu. Nezapomínejte zjistit hodnotu okamžitě, protože teplota na teploměru stoupne velmi rychle poté, co jej vyjmete z mrazničky. Nezapomínejte, že při každém otevření dveří uniká studený vzduch ven a teplota uvnitř stoupne. Proto nikdy nenechávejte dveře otevřené a zajistěte, aby se zavřely okamžitě po vyjmutí či vložení potravin.

### **Před zahájením provozu**

#### **Poslední kontrola**

Než začnete používat mrazničku, zkontrolujte, zda:

1. Nožky byly seřizeny pro ideální rovnováhu.
2. Vnitřek je suchý a vzduch může vzadu volně cirkulovat.
3. Vnitřek je čistý dle doporučení v oddíle „ČIŠTĚNÍ A ÚDRŽBA“.
4. Zásuvka byla zasunuta do sítě a elektřina je zapnutá. Předcházejte náhodnému odpojení tím, že spínač přelepíte.

#### **A nezapomeňte, že:**

5. Uslyšíte hluk při startování kompresoru. Kapalina a plyny uzavřené v chladicí soustavě mohou dělat další hluk, ať je kompresor v chodu, nebo není. Je to zcela normální.

6. Ke zmrazení čerstvých potravin použijte přihrádku se 4 hvězdami (doporučena druhá police).

7. Nevkládejte do mrazničky příliš velké množství potravin najednou. Kvalita potravin se zachová, pokud se hloubkově zmrazí v co nejkratší době. Proto se doporučuje nepřekračovat kapacitu mrazničky uvedenou v „Záznamu spotřebiče“. Tlačítko termostatu musí být nastaveno tak, aby se v mrazničce dosáhlo nejnižší možné teploty, k čemuž se aktivuje funkce rychlé mražení a rozsvítí se oranžová kontrolka.

8. Nezapíňujte spotřebič ihned po jeho zapnutí. Počkejte na dosažení správné skladovací teploty. Doporučujeme kontrolovat teplotu přesným teploměrem (viz: Kontrola a nastavení teploty).

#### **Důležitá poznámka:**

Dojde-li k výpadku elektrické energie, neotvírejte dveře. Zmražené potraviny nebudou poškozeny, pokud výpadek trvá méně než 19 hodin. Pokud je výpadek delší, pak potraviny zkontrolujte a buď okamžitě snězte, nebo je uvařte a pak znovu zmraďte.

### **Ovládací panel mrazničky**

#### **Položka 5**

Ovládací panel upravuje teplotu v mrazničce a má následující funkce:

#### **1 - Oranžová kontrolka - Rychlé zmražení aktivováno**

Když zapnete mrazničku, nastavte tlačítko nastavení teploty (4) do pozice „RYCHLÉ MRAZENÍ“, rozsvítí se oranžová kontrolka LED (1) a spotřebič se spustí při nejnižší teplotě. Oranžová kontrolka LED se vypne po 50 hodinách provozu při nejnižší teplotě.

#### **2 - Zelená kontrolka - Napětí zapnuto (napětí)**

Svítil, když je spotřebič připojen k síti, a zůstane svítit, dokud je dostupné napájení. Zelená kontrolka neposkytuje informace o teplotě uvnitř mrazničky.

#### **3 - Červená kontrolka - Alarm na vysokou teplotu**

#### **4 - Tlačítko nastavení teploty**

**Alarm vysoké teploty**

Po prvním zapnutí spotřebiče není alarm aktivní 12 hodin (červená kontrolka nesvítí).

Po této době se může červená kontrolka rozsvítit v následujících případech:

- Pokud spotřebič přeplníte čerstvými potravinami
- Pokud dlouho necháte otevřená dvířka.

V těchto případech zůstane červená kontrolka svítit, dokud spotřebič nedosáhne předvolené teploty.

Pokud svítí červená kontrolka, počkejte 24 hodin, než kontaktujete autorizovaný servis.

**Důležité:**

Vnitřní teploty s mohou lišit podle podmínek používání spotřebiče, jako např.: umístění, okolní teplota, četnost otevírání dvířek, stupeň zaplnění jídelm. Nastavení teploty bude změněno podle těchto podmínek.

Pokud svítí červená kontrolka, počkejte 24 hodin, než kontaktujete autorizovaný servis.

Může se to stát vložením teplých potravin do mrazničky a/nebo dvířek nechaných v otevřené pozici.

Za 24 hod. by měl alarm hlásící vysokou teplotu (červená kontrolka) ustát.

**Funkce rychlého zmrazení**

Pro aktivaci funkce RYCHLÉ MRAŽENÍ nastavte tlačítko nastavení teploty do pozice "RYCHLÉ MRAŽENÍ". Doporučujeme, abyste potraviny, které chcete zmrazit rychleji, vložili do mrazničky 24 hodin po aktivaci funkce rychlého mrazení. Jakmile se rychlé mrazení aktivuje, vaše chladnička se spustí při nejnižší teplotě nastavené pro mrazničku. Funkce rychlého mrazení trvá nejvýše 50 hodin. Po ukončení se chladnička přepne do normálního stavu s nastavením teploty 3, a to i když je tlačítko stále nastavené na pozici "RYCHLÉ MRAŽENÍ". Tato funkce umožňuje úsporu energie, není-li funkce rychlého mrazení z nějakého důvodu zrušena. Mrazící kapacita vaší chladničky je změřena a deklarována během aktivace funkce rychlého mrazení.

**Skladování zmražených potravin**

Vaše mraznička je vhodná na dlouhodobé uchovávání běžně dostupných zmražených potravin a lze ji též použít na zmrazení a uskladnění čerstvých potravin.

Před uskladněním doma zmražených čerstvých potravin zkontrolujte návod na délku skladování na výplni dvířek.

Dojde-li k výpadku elektrické energie, neotvírejte dveře. Zmrzlé potraviny by měly zůstat nepoškozeny, pokud závada trvá necelých 19 hodin. Pokud je výpadek delší, pak by měly být potraviny zkontrolovány a buď ihned upraveny, nebo uvařeny a pak znovu zmrazeny.

**Mražení čerstvých potravin**

Pro dosažení nejlepších výsledků prosím dodržujte následující pokyny.

Nezmrazujte příliš velké množství najednou.

Množství potravin se nejlépe uchovává, pokud se zmrazí hloubkově a co nejrychleji.

Pokud má dojít ke zmrazení velkého množství čerstvých potravin, nastavte ovládací tlačítko do pozice "RYCHLÉHO MRAŽENÍ" max. 24 hodin před vložením potravin do prostoru pro rychlé mrazení.

Doporučujeme mít zapnutý spínač v poloze "RYCHLÉHO MRAŽENÍ" nejméně 24 hodin, abyste zmrazili maximální množství čerstvých potravin udané jako mrazící kapacita. Dávejte zvýšený pozor, abyste nesmísili již zmrzlé a čerstvé potraviny.

Malá množství do ½ kg lze zmrazit bez funkce rychlého zmrazení.

Dávejte zvýšený pozor, abyste nesmísili již zmrzlé a čerstvé potraviny.

**Tvorba ledových kostek****(Položka 6)**

Zaplňte podnos na kostky ledu ze ¾ vodou a umístěte jej do mrazničky. Zmrzlé podnosy uvolněte koncem lžičky nebo podobným nástrojem; nepoužívejte ostré předměty, jako jsou nože nebo vidličky.

**Seznámení s vaším spotřebičem****(Položka 1)**

- 1 - Ovládací panel, displej a nastavení
- 2 - Podpěra podnosu na led a podnos na led
- 3 - Prostor pro rychlé zmrazení
- 4 - Příhrádky pro uchovávání zmražených potravin
- 5 - Nastavitelné přední nožky

## Odmrazování

Prostor mrazničky odmrázujte nejméně dvakrát ročně nebo po nahromadění vrstvy ledu.

- Hromadění ledu je normální jev.
- Nahromadění ledu, zejména v horní části prostoru, je přirozený jev a neovlivňuje správnou funkci spotřebiče.
- Doporučujeme odmrazovat spotřebič, když není obsah mražených potravin příliš velký.
- Před odmražením nastavte tlačítko nastavení termostatu na maximální pozici pro silné zmrazení potravin. Během této doby nesmí být teplota v chladničce příliš nízká.
  - Odpojte spotřebič ze sítě;
  - Vyjměte mražené potraviny, zabalte je do několika listů papíru a odložte je na chladné místo.
  - Nechte dvířka otevřená pro rychlejší odmrazení a vložte dovnitř nádoby s teplou vodou (max. 80°C).

Námrazu neodstraňujte špičatými nebo ostrými předměty, jako jsou nože nebo vidličky.

Nepoužívejte sušiče na vlasy, elektrické radiátory nebo jiné elektrické spotřebiče na odmrazení.

Po skončení odmrazování zavřete díl pro odmrazování a vnitřek důkladně vysušte (**Položka 7 a 8**).

## Čištění a péče

1. Doporučujeme vypnout přístroj ze sítě a vyjmout hlavní zásuvku, než přistoupíte k čištění.

2. Nikdy nepoužívejte ostré předměty či brusné látky, mýdlo, domovní čistič, odmašťovač či voskové čisticí.

3. Používejte vlažnou vodu pro vyčištění skříně a otřete ji pak dosucha.

4. Používejte vlhký hadřík namočený do roztoku jedné čajové lžičky sody bikarbony na půl litru vody na vyčištění vnitřku, pak jej dosucha otřete.

5. Pokud spotřebič delší dobu nebudete používat, vypněte jej, vyjměte všechny potraviny, vyčistěte jej a nechte dveře otevřené.

6. Doporučujeme vyčistit kovové součásti výrobku (např. vnější část dvířek, posuvné části) silikonovým voskem (autoleštidlem) pro ochranu vysoce kvalitního povrchového nátěru.

7. Prach, který se usadí na kondenzátoru, který je umístěn na zadní straně spotřebiče, by měl být jednou ročně odstraněn vysavačem.

8. Pravidelně kontrolujte těsnění dvířek, abyste zajistili jejich čistotu a nezanesení částicemi potravin.

9. Nikdy:

- Nečištějte spotřebič nevhodnými materiály; tzn. výrobky na bázi petroleje.
- Jej nevystavujte vysokým teplotám.
- Nedrhňte, nebruste atd. brusnými materiály.

10. Přebytečné nahromadění ledu doporučujeme pravidelně odebírat. Velké nahromadění ledu sníží výkonnost mrazničky.

11. Pro vyjmutí zásuvky ji vytáhněte co nejdále, nadzvedněte ji a pak ji zcela vytáhněte ven.

## Výměna dvířek

Postupujte v číselném pořadí (**Položka 9**).

**Co dělat a co nedělat**

- Ano-** Zkontrolujte obsah mrazničky v pravidelných intervalech.
- Ano-** Pravidelně čistěte a odmrazujte spotřebič (viz „Odmrazování“)
- Ano-** Uchovávejte potraviny co nejkratší dobu a dodržujte jejich lhůtu spotřeby, doporučenou dobu spotřeby atd.
- Ano-** Již zmrazené potraviny skladujte v souladu s instrukcemi uvedenými na jejich obalech.
- Ano-** Vždy si vybírejte kvalitní čerstvé potraviny a před jejich zmrazením se ujistěte, zda jsou zcela čisté.
- Ano-** Připravte čerstvé potraviny na zmrazení v malých částech, abyste zajistili rychlé zmrazení.
- Ano-** Zmrazené potraviny obalte ihned po zakoupení a co nejrychleji je vložte do mrazničky.
- Ano-** Potraviny v přihrádkách oddělujte a vypisujte si kartičku s obsahem. Díky tomu rychle najdete potraviny a předejdete přílišnému otevírání dveří, čímž ušetříte elektřinu.
- Ne-** nechte dveře otevřené delší dobu, provoz spotřebiče se tím prodraží a dojde k nadbytečné tvorbě ledu.
- Ne-** používejte ostré předměty jako nože nebo vidličky na odstranění ledu.
- Ne-** vkládejte do spotřebiče teplé potraviny. Nechte je nejprve vychladnout.
- Ne-** vkládejte lahve s kapalinou nebo zavřené plechovky s perlivými kapalinami do mrazničky, mohly by explodovat.
- Ne-** skladujte ve spotřebiči jedovaté nebo nebezpečné látky. Byl určen na skladování jen jedlých potravin.
- Ne-** překračujte maximální náplň mrazničky při zmrazování čerstvých potravin.
- Ne-** konzumujte zmrzlinu a led do vody přímo z mrazničky. Nízká teplota může způsobit na rtech „popáleniny od mrazu“.
- Ne-** zmrazujte šumivé nápoje.
- Ne-** snažte se uchovat zmrzlé potraviny, které rozmrzly; měli byste je sníst do 24 hodin, nebo uvařit a znovu zmrazit.
- Ne-** odstraňujte předměty z mrazničky mokřýma rukama.
- Ne-** zavírejte dvířka před navrácením krytu prostoru pro rychlé zmrazení.

## **Odstraňování potíží**

Pokud spotřebič po zapnutí nefunguje, zkontrolujte;

- Zda je zásuvka správně zasunutá do sítě a je zapnutý přívod elektrické energie. (Pro kontrolu napětí v zásuvce do ní zapojte další spotřebič)
- Zda není vyhozená pojistka/se neaktivoval přerušovač obvodu/hlavní jistič není vypnutý.
- Zda byla správně nastavena funkce ovládání teploty.
- Zda je nová zásuvka správně propojená, pokud jste změnili osazenou tvarovanou zásuvku.

Pokud spotřebič po provedení těchto kontrol stále nefunguje, kontaktujte prodejce, u něhož jste přístroj zakoupili.

Provedte prosím všechny výše uvedené kontroly, v případě nezjištění závady bude kontrola zpoplatněna.

## **Spotřeba energie**

Maximální objem pro mražené potraviny dosáhnete bez použití střední přihrádky a krytu horní police v prostoru mrazničky. Spotřeba energie vašeho spotřebiče je uváděna za situace, kdy je prostor mrazničky plně naplněn bez použití střední přihrádky a krytu horní police.

## **Praktické rady ohledně snižování spotřeby elektřiny**

1. Zajistěte, aby byl spotřebič umístěn na řádně odvětraném místě, mimo zdroje tepla (sporák, radiátor, atd.). Současně musí být umístění spotřebiče provedeno tak, aby nebyl na přímém slunečním světle.
2. Zajistěte, aby potraviny, které zakoupíte v chlazeném/zmrazeném stavu, byly umístěny do spotřebiče co nejdříve, zejména v létě. Doporučujeme používat tepelně izolované tašky pro přepravu potravin domů.
3. Snižte otevírání dveří na minimum.
4. Nenechávejte dvířka spotřebiče otevřená déle než nezbytně dlouho a zajistěte, aby byla dvířka po každém otevření řádně uzavřena.


## **Informace týkající se hlučnosti a vibrací, které se mohou objevit při provozu spotřebiče**

1. Provozní hluk se může při provozu zvýšit.
  - Aby teplota zůstala na nastavených hodnotách, kompresor spotřebiče se spouští pravidelně. Hluk od kompresoru je hlasitější, když se spustí, a po jeho zastavení je slyšet cvaknutí.
  - Výkon a provozní vlastnosti spotřebiče se mohou měnit podle úprav teploty okolního prostředí. Musejí být považovány za normální.
2. Hluky připomínající tekoucí kapalinu nebo postřik
  - Tyto zvuky způsobuje proudění chladicího média v obvodu spotřebiče a jsou v souladu s provozními zásadami spotřebiče.
3. Další vibrace a zvuky.
  - Intenzita zvuku a vibrací může být ovlivněna typem a stavem podlahy, na které je spotřebič umístěn. Zkontrolujte, zda na podlaze nejsou značné výkyvy v úrovni, nebo zda unese hmotnost spotřebiče (je pružná).
  - Dalším zdrojem hluku a vibrací jsou předměty umístěné na spotřebiči. Tyto předměty je nutno ze spotřebiče odstranit.

## **Upozornění!**

Nikdy se nepokoušejte opravit přístroj či jeho elektrické součástky sami. Jakákoli oprava provedená neškolenou osobou je nebezpečná pro uživatele a může vést k ukončení záruky.



Symbol  na výrobku nebo na obalu upozorňuje na skutečnost, že spotřebič nepatří do běžného domácího odpadu. Místo toho je třeba jej odevzdat do speciální sběrný odpadu na recyklování elektrických a elektronických zařízení. Vaší podporou správné likvidace pomáháte zabránit potenciálně negativním vlivům na životní prostředí a lidské zdraví, které by jinak nesprávná likvidace výrobku mohla způsobit. Další informace a recyklování tohoto spotřebiče získáte na místním úřadě, ve sběrně odpadu nebo u prodejce, kde jste spotřebič zakoupili.

Blahoželáme k vášmu výberu kvalitného spotrebiča značky **BEKO** navrhnutého tak, aby vám slúžil veľa rokov.

### **Bezpečnosť nadovšetko!**

Nezapájajte spotrebič do elektrickej siete, kým nie sú odstránené baliace a ochranné prostriedky.

- Nechajte spotrebič stáť minimálne 4 hodiny predtým, ako ho zapnete, aby sa olej v kompresore usadil, ak bol prepravovaný horizontálne.
- Ak znehodnocujete starý spotrebič, jeho zámok alebo závoru usposobenú k dverám, uistite sa, že sú odstránené bezpečným spôsobom, aby ste predišli tomu, že sa dnu zamknú deti.
- Tento spotrebič musí byť výlučne použitý pre navrhnutý účel.
- Nevystavujte spotrebič ohňu. Spotrebič neobsahuje CFC substancie v izolácií, ktoré sú horľavé. Navrhujeme vám kontaktovať miestne úrady pre informácie na disponovanie a využitie zariadenia.
- Neodporúčame využívať toto zariadenie v nevykurovanej, studenej miestnosti. (napr.: garáž, sklad, prístavba, prístrešok, v exteriéri atď...)

Aby ste dosiahli najlepší možný výkon a bezproblémový chod spotrebiča, je veľmi dôležité podrobne si prečítať tento návod. Nedodržanie týchto pokynov môže zrušiť vaše právo na bezplatný servis počas záručnej doby.

Uchovajte tieto pokyny na bezpečnom mieste pre ľahšie použitie.

**Tento spotrebič by nemali používať osoby so zníženou fyzickou, senzorickou alebo mentálnou spôsobilosťou alebo s nedostatočnými skúsenosťami a poznatkami. Tieto osoby môžu spotrebič používať len pod dohľadom osoby zodpovednej za ich bezpečnosť, alebo ak ich zodpovedná osoba poučila o správnom používaní spotrebiča.**

**Deti by mali byť pod dozorom, aby sa nehrali so spotrebičom.**

### Elektrické požiadavky

Pred zasunutím zástrčky do zásuvky v stene sa uistite, že napätie a frekvencia uvedené na výkonovom štítku zodpovedajú zásobovaniu elektrickou energiou.

Odporúčame, aby toto zariadenie bolo zapojené do elektrickej sústavy cez vhodnú zásuvku so spínačom v ľahko dostupnej pozícii.

Zástrčka musí byť po inštalácii prístupná, aby sa umožnilo odpojenie zariadenia od sieťového napájania po inštalácii.

**Varovanie! Tento spotrebič musí byť uzemnený.**

Opravy elektrických prístrojov môžu vykonávať len kvalifikovaní experti. Ak je sieťový kábel poškodený, tak ho musí vymeniť výrobca alebo zákaznícky servis, aby sa predišlo nebezpečenstvu.

#### **POZOR!**

Tento spotrebič pracuje s plynom R 600a, ktorý je ekologicky nezávadný, ale horľavý. Počas prepravy a zostavovania produktu dbajte na to, aby ste nepoškodili chladiaci systém. Ak je poškodený chladiaci systém a unikol zo systému plyn, držte zariadenie mimo otvoreného ohňa a na chvíľu vyvetrajte miestnosť.

**VAROVANIE** – Nepoužívajte mechanické prístroje alebo iné prostriedky na urýchľovanie rozmrazovacieho procesu, inak ako odporúča výrobca.

**VAROVANIE** – Nepoškodte chladiaci okruh.

**VAROVANIE** – Nepoužívajte elektrické zariadenia vo vnútri priestoru na potraviny, iba ak ide o typy odporúčané výrobcom.

**VAROVANIE** – Ak je sieťový kábel poškodený, je potrebné, aby ho vymenil výrobca, servisný agent alebo podobne kvalifikovaná osoba, vyhnite sa tak možnému nebezpečenstvu.

### Prepravné pokyny

1. Spotrebič musí byť prepravovaný výlučne vo vertikálnej polohe. Obal musí počas prepravy ostať neporušený.

2. Ak bol spotrebič počas prepravy v horizontálnej polohe, nesmiete ho uvádzať do prevádzky najbližšie 4 hodiny, aby sa systém ustálil.

3. Nedodržanie vyššie uvedených pokynov by mohlo mať za následok poškodenie spotrebiča, za ktoré výrobca nebude niesť zodpovednosť.

4. Spotrebič musí byť chránený proti dažďu, vlhkosti a iným poveternostným vplyvom.

#### **Dôležité!**

- Kladte dôraz na opatrnosť počas čistenia/údržby spotrebiča, nedotýkajte sa spodku chladiacich kovových vedení na zadnej strane spotrebiča, mohlo by vám to spôsobiť úraz prstov a rúk.
- Nepokúšajte sa sadieť alebo stáť na vrch zariadenia, pretože nie je navrhnuté pre takéto použitie. Mohli by ste sa poraniť alebo poškodiť zariadenie.
- Uistite sa, že elektrický kábel nie je pricviknutý pod zariadením počas presúvania a po presunutí, mohlo by to poškodiť kábel.
- Nedovoľte deťom hrať sa so zariadením alebo s ovládačmi.

### Pokyny o montáži

1. Nedržte spotrebič v miestnosti, kde teplota v noci pravdepodobne klesne pod 10 stupňov C (50 stupňov F) a/alebo hlavne v zime, pretože je navrhnutý na prevádzku pri vonkajších teplotách medzi +10 až +43 stupňov C (50 až 109 stupňov F). Pri nižších teplotách spotrebič nemusí fungovať, čoho dôsledkom je zníženie doby skladovania potravín.

2. Neumiestnite spotrebič blízko pri sporákoch alebo radiátoroch, alebo pri priamom slnečnom svetle, pretože to spôsobí mimoriadne poškodenie funkcií spotrebiča. Ak je nainštalovaný pri zdroji tepla alebo mrazničke, zachovajte nasledujúce minimálne bočné vôle:

Od sporákov 30 mm

Od radiátorov 300 mm

Od mrazničiek 25 mm

3. Uistite sa, že okolo spotrebiča je dostatočný priestor na zabezpečenie voľnej cirkulácie vzduchu (**Položka 2**).

• K zadnej časti chladničky položte zadný vetrací kryt na nastavenie vzdialenosti medzi chladničkou a stenou (**Položka 3**).



4. Spotrebič by sa mal umiestniť na hladký povrch. Dve predné nohy sa dajú nastaviť podľa požiadaviek. Aby ste zabezpečili, že váš spotrebič stojí rovno, nastavte dve predné nohy otočením v smere alebo proti smeru hodinových ručičiek, kým sa nezabezpečí pevný kontakt s podlahou. Správne nastavenie nôh bráni nadmernej vibrácii a hluku (**Položka 4**).

5. Odkazujeme na časť „Čistenie a údržba“, kde nájdete popis, ako pripraviť spotrebič na používanie.

### **Riadenie a nastavenie teploty**

Na teplotu mrazničky vplýva tlačidlo nastavenia teploty v mrazničke (**odporúča sa pozícia 2 alebo 3**).

Všeobecne je táto teplota pod  $-18^{\circ}\text{C}$ . Nižšie teploty môžete získať nastavením gombíku termostatu smerom k polohe MAX.

Odporúčame, aby ste teplotu skontrolovali pomocou teplomera, aby ste zaistili, že sa priechinky pre uskladnenie udržiavajú pri požadovanej teplote. Nezabudnite skontrolovať údaje okamžite, pretože teplota teplomera bude po jeho vybratí z mrazničky veľmi rýchlo stúpať.

Nezabudnite tiež, že zakaždým, čo sa otvorí dvere, začne unikať studený vzduch a začne stúpať vnútorná teplota. Preto nikdy nenechávajte otvorené dvere a zaistite, že sa po vložení alebo vybratí potravín okamžite zatvorili.

### **Pred prevádzkou**

#### **Záverečná kontrola**

Pred začatím používania mrazničky skontrolujte či:

1. Sú nohy nastavené do úplného vyrovnaní.
  2. Vnútro je suché a vzduch môže voľne cirkulovať vzadu.
  3. Vnútro je čisté podľa odporúčania v časti „ČISTENIE A ÚDRŽBA“.
  4. Zástrčka je vsunutá do zásuvky v stene a elektrické napájanie je zapnuté.
- Predchádzajte náhodnému odpojeniu ťuknutím na spínač.

#### **A všimnite si, že:**

5. Budete počuť zvuk pri zapnutí kompresora. Aj kvapalina a plyny utesnené v chladiacom systéme môžu vydávať nejaký zvuk, či kompresor je alebo nie je v prevádzke. To je úplne normálne.

6. Na mrazenie čerstvých potravín použite priechinok označený 4 hviezdikami (odporúča sa druhá polica).

7. Do mrazničky nevkladajte priveľké množstvo potravín súčasne. Kvalita potravín sa najlepšie uchová, ak sa hlboko zmrazia v najkratšom možnom čase. Preto sa odporúča neprekračovať kapacitu mrazenia spotrebiča, ktorá je uvedená na „zázname spotrebiča“. Termostatu musí byť nastavený tak, aby sa získal čo najnižšia teplota v mrazničke, s rýchleho zmrazovania funkcia aktivovaná a oranžové lampy osvetlenia.

8. Nenapliňte spotrebič hneď po zapnutí. Počkajte, kým sa nedosiahne správna teplota skladovania. Odporúčame skontrolovať teplotu presným teplomerom (Pozrite časť Riadenie a nastavenie teploty).

#### **Dôležitá poznámka:**

Ak došlo k výpadku prúdu, neotvárajte dvere. Zmrazené potraviny nebudú ovplyvnené, ak výpadok bude trvať menej ako 19 hodín. Ak výpadok trvá dlhšie, potraviny sa musia skontrolovať a zjesť okamžite alebo sa musia uvariť a potom opätovne zamraziť.

## Ovládací panel mrazničky

### Položka 5

Ovládací panel nastavuje teplotu v mrazničke a má nasledujúce funkcie:

#### 1 - Oranžová kontrolka - rýchle zmrazenie zapnuté

Pri zapnutí mrazničky nastavenej teploty buton (4) do polohy "rýchleho zmrazenia" pozície, oranžová LED dióda (1) svieti a prístroj bude prebiehať v najnižších teplotách. Oranžová kontrolka prestane svietiť aj po 50 hodinách prevádzky v najnižších teplotách.

#### 2 - Zelená kontrolka - zapnuté napájanie (Napätie)

Rozsvieti sa, keď je zariadenie pripojené k sieti a zostane rozsvietená, kým je dostupné sieťové napájanie. Zelená kontrolka LED neposkytuje informácie o teplote v mrazničke.

#### 3 - Červená kontrolka - Upozornenie na vysokú teplotu

#### 4 - Nastavenie tlačidla teploty

##### **Upozornenie na vysokú teplotu**

Po prvom zapnutí zariadenia nebude upozornenie prvých 12 hodín aktívne (červená kontrolka je vypnutá).

Po tomto čase sa červená kontrolka LED (červená kontrolka svieti) môže rozsvietiť v nasledujúcich prípadoch:

- Ak je zariadenie preplnené čerstvými potravinami

- Ak omylom necháte otvorené dvere.

V týchto prípadoch zostane červená kontrolka rozsvietená, kým zariadenie nedosiahne predvolenú teplotu.

Ak svieti červená kontrolka, čakajte 24 hodín, kým sa obrátite na autorizovaný servis.

##### **Dôležité:**

Vnútročné teploty sa môžu meniť podľa podmienok používania spotrebiča: umiestnenie, vonkajšia teplota, frekvencia otvárania dvier, stupeň plnenia potravinami. Nastavenie teploty sa bude meniť podľa týchto podmienok.

Ak svieti červená kontrolka, čakajte 24 hodín, kým sa obrátite na autorizovaný servis. Mohla by znamenať upozornenie na umiestnenie teplých potravín do mrazničky a/alebo na dvere, ktoré boli ponechané otvorené.

Po 24 hodinách prevádzky by sa mala vypnúť signalizácia vysokej teploty (červená kontrolka).

### **Funkcia rýchleho zmrazenia**

Ak chcete aktivovať funkciu rýchleho zmrazenia, upravte nastavenie teploty do polohy "rýchleho zmrazenia" pozície. Odporúča sa umiestniť potraviny, ktoré chcete zmraziť rýchlejšie v mrazničke 24 hodín po aktivácii funkcie rýchleho zmrazenia. Pri rýchlom zmrazení je aktivovaná vaša chladnička beží na najnižšie nastavenie teploty pre mrazničky. Funkcia rýchleho zmrazenia trvá 50 hodín. Po ukončení, vaša chladnička sa vráti do normálnych podmienok použitia sa nastavenie teploty 3, aj keď je gombík stále zamestnaný u "rýchleho zmrazenia" pozície. Táto funkcia umožňuje na ekodizajn energetických úspor pri rýchle zmrazovanie funkcia nie je z akéhokoľvek dôvodu zrušená. Mraziaca kapacita chladničky sa meria a vyhlásil pri rýchlom zmrazení Funkcia je aktívna.

### **Skladovanie mrazených potravín**

Vaša mraznička je vhodná na dlhodobé skladovanie komerčne zmrazených potravín a môže sa použiť aj na mrazenie a skladovanie čerstvých potravín.

Informácie o skladovaní doma mrazených potravín nájdete v sprievodcovi dobou skladovateľnosti vo vložke dvier.

Ak došlo k výpadku prúdu, neotvárajte dvere. Mrazené potraviny by sa nemali poškodiť, ak výpadok trvá menej ako 19 hodín. Ak je výpadok dlhší, potraviny by sa mali skontrolovať a buď okamžite zjesť, alebo uvariť a potom znova zmraziť.

## **Mrazenie čerstvých potravín**

Dodržiavajte nasledujúce pokyny, aby ste dosiahli najlepšie výsledky.

Nemrazte príliš veľké množstvo naraz. Kvalita potravín sa najlepšie zachová, keď sa mrazia správne až do vnútra, čo možno najrýchlejšie. Ak sa veľké množstvo čerstvých potravín sa bude mrazené, nastavte ovládací gombík do "rýchleho zmrazenia" pozíciu s 24 hodín pred uvedením čerstvé potraviny v rýchlom zmrazení priestore.

Dôrazne sa odporúča, aby gombík u "rýchleho zmrazenia" pozícii aspoň 24 hodín zmraziť maximálne také množstvo čerstvých potravín je deklarovaný ako Mraziaci výkon. Zvláštna opatrnosť nemiešať mrazené a čerstvé potraviny.

Malé množstvá jedla až do 1/2 kg. (1 lb) môžete zmrazovať bez funkcie rýchleho mrazenia.

Budte obzvlášť opatrní, aby ste nezmiešali mrazené a čerstvé potraviny.

## **Tvorba kociek ľadu (Položka 6)**

Naplňte podnos na kocky ľadu vodou do 3/4 a položte ho do mrazničky. Zamrznuté podnosy uvoľnite rúčkou lyžice alebo podobným nástrojom; nikdy nepoužívajte predmety s ostrými hranami ako nože alebo vidličky.

## **Poznávanie spotrebiča (Položka 1)**

- 1 - Ovládací panel, zobrazovací a nastavovací panel
- 2 - Držiak tácky na ľad a tácka na ľad
- 3 - Priestor pre rýchle zmrazovanie
- 4 - Priestory pre uchovávanie mrazených potravín
- 5 - Nastaviteľné predné nôžky

## **Rozmrazovanie**

Priečinok mrazničky rozmrazujte aspoň dvakrát do roka alebo v prípade, ak je vrstva ľadu príliš hrubá.

- Vytváranie ľadu je normálne.
- Ľad sa vytvára hlavne na hornej strane priečinka je prirodzeným javom a neovplyvňuje dobré fungovanie spotrebiča.
- Spotrebič sa odporúča rozmrazovať v prípade, ak nie je príliš veľká kvalita mrazených potravín.
- Pred rozmrazovaním nastavte tlačidlo pre nastavenie termostatu do maximálnej polohy, aby ste silno zmrazili potraviny. Počas tejto doby nemusí byť teplota v chladničke veľmi nízka.
  - Zariadenie odpojte
  - Vyberte mrazené potraviny, zabaľte ich do niekoľkých vrstiev papiera a umiestnite ich na studené miesto.
  - Nechajte otvorené dvere pre rýchle rozmrazovanie a vnútorné nádoby naplňte teplou vodou (max. 80°C).

Na odstránenie námrazy nepoužívajte špicaté predmety ani predmety s ostrou hranou ako nože alebo vidličky.

Na rozmrazovanie nikdy nepoužívajte sušiče vlasov, elektrické ohrievače alebo iné elektrické spotrebiče.

Keď sa rozmrazovanie dokončilo, zatvorte rozmrazovaný priečinok a poriadne vysušte vnútornú časť.

**(Položka 7 a 8).**

## Čistenie a údržba

1. Pred čistením odporúčame vypnúť spotrebič zo zástrčky a odtrhnúť elektrickú šnúru.
2. Nikdy na čistenie nepoužívajte žiadne ostré predmety alebo brúsne látky, mydlo, domáce čističlá, čistiace prostriedky alebo voskové politúry.
3. Použite teplú vodu na čistenie spotrebiča a vytrite ho do sucha.
4. Použite sacie plátno a rozmiešajte roztok jednej čajovej lyžičky sódy bikarbóny a pol litra vody. Umyte interiér a vytrite do sucha.
5. Ak sa spotrebič nechystáte používať dlhšie obdobie, vypnite ho, odstráňte všetky potraviny, vyčistite ho a nechajte dvere pootvorené.
6. Odporúčame vyleštiť kovové časti interiéru (napr.: dvere, mriežky...) so silikónovým voskom (leštido na karosériu) na ochranu farbených častí.
7. Všetok prach, ktorý sa nazbiera na chladiči, ktorý je umiestnený na zadnej strane spotrebiča, by sa mal odstrániť vysávačom raz ročne.
8. Skontrolujte či je tesnenie dverí čisté a zbavené čiastočiek potravín.
9. Nikdy:
  - Nečistite spotrebič s nevhodnými materiálmi; ako sú ropné produkty.
  - Nepodrobujte ho vysokým teplotám,
  - Neleštite, neutierajte atď. s brúsnyimi materiálmi.
10. Pravidelne musíte odstraňovať nadmerne vytvorený ľad. Veľké nahromadenie ľadu zhorší výkonnosť mrazničky.
11. Ak chcete odstrániť zásuvku, vytiahnite ju tak ďaleko, ako je to možné, nakloňte ju nahor a potom úplne vytiahnite.

## Premiestnenie dvier

Postupujte podľa číselného poradia (Položka 9).

## Čo sa má a čo sa nesmie robiť

- Urobte-** Pravidelne kontrolujte obsah mrazničky.
- Urobte-** Pravidelne čistite a odmrázajte váš spotrebič (Pozrite „Rozmrazovanie“)
- Urobte-** Uchovávajte potraviny čo najkratší čas a dodržujte dátumy "Spotrebovať pred" a „Použiť do“.
- Urobte-** Skladujte komerčne zmrazené potraviny v súlade s pokynmi uvedenými na obale.
- Urobte-** Vždy si vyberajte vysokokvalitné čerstvé potraviny a uistite sa, že sú pred mrazením starostlivo čisté.
- Urobte-** Pripravujte čerstvé potraviny na mrazenie v malých porciách, aby sa zabezpečilo rýchlo mrazenie.
- Urobte-** Zabaľte mrazené potraviny okamžite po nákupe a vložte ich čo najskôr do mrazničky.
- Urobte-** Rozdeľte potraviny do priecinkov a vyplňte kartu ich obsahu. Toto vám umožní rýchle nájdenie potravín a vyhnete sa tak nadmernému otváraniu dverí, čím ušetríte elektrinu.
- Nerobte-** Nenechávajte dvere otvorené dlhý čas, pretože to spôsobí drahšiu prevádzku spotrebiča a nadmernú tvorbu ľadu.
- Nerobte-** Na odstránenie ľadu nepoužívajte predmety s ostrými hranami ako nože alebo vidličky.
- Nerobte-** Nevkladajte do spotrebiča horúce potraviny. Najprv ich nechajte vychladnúť.
- Nerobte-** Do mrazničky nevkladajte fľaše s kvapalinami alebo uzavreté konzervy obsahujúce sódové kvapaliny, pretože môžu vybuchnúť.
- Nerobte-** V spotrebiči neskladujte jedovaté alebo iné nebezpečné látky. Spotrebič bol navrhnutý len na skladovanie jedlých potravín.
- Nerobte-** Neprekračujte maximálne mraziace nosnosti pri mrazení čerstvých potravín.

**Nerobte-** Nekonzumujte zmrzlinu a vodové zmrzliny priamo z mrazničky. Nízka teplota môže spôsobiť omrzliny na perách.

**Nerobte-** Nezmrazujte šumivé nápoje.

**Nerobte-** Nepokúšajte sa skladovať mrazené potraviny, ktoré sa rozpustili, mali by sa zjesť do 24 hodín alebo uvariť a znovu zmraziť.

**Nerobte-** Nevyberajte tovar z mrazničky mokrymi rukami.

**Nerobte-** Nezatvárajte dvere pred opätovným nasadením krytu priečinka pre rýchle zmrazovanie.

### **Riešenie problémov**

Ak spotrebič nefunguje, keď je zapnutý, skontrolujte,

- či je zástrčka správne vložená do zásuvky a či je zapnutý napájací zdroj. (Ak chcete skontrolovať napájací zdroj k zásuvke, pripojte iný spotrebič)
- Či poistka vyhorela/sa prerušovač rozpojil/sa hlavný rozvodový spínač vypol.
- Či bolo riadenie teploty nastavené správne.
- Či je nová zástrčka správne zapojená, ak ste vymenili namontovanú, lisovanú zástrčku.

Ak spotrebič po tom všetkom stále nepracuje, kontaktujte obchodného zástupcu, od ktorého ste ho zakúpili.

Zabezpečte vykonanie vyššie uvedených kontrol, pretože, ak sa nezistí žiadna chyba, môže sa to spočítať.

### **Spotreba energie**

Maximálny úložný objem mrazených potravín dosiahnete ak vyberiete zásuvky nachádzajúce sa v mrazničke. Spotreba energie vášho spotrebiča sa deklaruje pri úplnom naplnení priečinka mrazničky bez použitia strednej zásuviek.

### **Praktické rady týkajúce sa zníženia spotreby elektrickej energie**

1. Ubezpečte sa, že sa spotrebič nachádza v dobre vetranej oblasti, ďaleko od akýchkoľvek zdrojov tepla (sporák, radiátor a pod.) Poloha spotrebiča musí zároveň zabraňovať priamemu kontaktu so slnečným žiarením.

2. Ubezpečte sa, že potraviny zakúpené v chladenom/zamrazenom stave do spotrebiča umiestnite čo možno najskôr, najmä v lete. Na prenos potravín domov odporúčame použitie tepelne izolovaných tašiek.

3. Počet otvorení dverí vám odporúčame znížiť na minimum.

4. Dvere spotrebiča nenechávajte otvorené dlhšie, ako je potrebné a po otvorení dverí sa ubezpečte, že sú dobre zatvorené.

### **Informácie týkajúce sa zvukov a vibrácií, ku ktorým môže dôjsť počas prevádzky spotrebiča**

1. Prevádzkový hluk sa môže počas prevádzky zvýšiť.

- Kompresor spotrebiča sa bude pravidelne spúšťať kvôli uchovaniu teplôt na nastavených hodnotách. Hluk vytváraný kompresorom zosilnie po jeho spustení a po jeho zastavení môžete počuť cvaknutie.

- Výkonové a prevádzkové vlastnosti spotrebiča sa môžu zmeniť podľa zmien teploty okolitého prostredia. Musíte ich považovať za normálne.

2. Zvuky podobné prúdiacim alebo rozstrekovaným kvapalinám

- Tieto zvuky sú spôsobené prúdením chladiacej zmesi v obvode spotrebiča a sú v súlade s prevádzkovým princípom spotrebiča.

3. Iné vibrácie a zvuky.


- Úroveň zvuku a vibrácií môže byť spôsobená typom a stavom podlahy, na ktorej je spotrebič umiestnený. Ubezpečte sa, že podlaha neobsahuje veľké množstvá deformácií a tiež, že unesie hmotnosť spotrebiča (ak je flexibilná).

- Ďalší zdroj zvuku a vibrácií predstavujú predmety umiestnené na spotrebiči. Tieto predmety musíte zo spotrebiča odstrániť.

### **Varovanie!**

Nepokúšajte sa sami opravovať elektrické komponenty, prípadne iné príslušenstvo. Akákoľvek oprava vykonaná neskúsenou osobou je nebezpečná pre užívateľa a môže viesť k strate záruky.



Symbol  na výrobku alebo na balení označuje, že s týmto výrobkom sa nesmie manipulovať ako s odpadom z domácnosti. Namiesto toho by ste ho mali odovzdať na príslušnom zbernom mieste, kde sa zabezpečuje recyklácia elektrických a elektronických zariadení. Zabezpečením správnej likvidácie tohto výrobku pomôžete zabrániť potenciálne nebezpečným negatívnym následkom na životné prostredie a zdravie ľudí, ktoré by inak mohla spôsobiť nevhodná likvidácia tohto výrobku. Ak chcete získať podrobnejšie informácie o recyklácii tohto výrobku, obráťte sa na miestny mestský úrad, na spoločnosť, ktorá sa zaoberá likvidáciou odpadu z domácností, alebo na predajňu, v ktorej ste výrobok kúpili.

Поздравляем Вас с покупкой высококачественного морозильника **ВЕКО**, созданного для того, чтобы служить Вам долгое время.

### **Безопасность прежде всего!**

- Не включайте морозильник в электросеть до тех пор, пока не удалите всю упаковку и транспортировочные крепления.
- Если Вы перевозили морозильник в горизонтальном положении, не включайте его после распаковки по крайней мере 4 часа для того, чтобы все системы пришли в норму.
- Прежде чем выбрасывать старый морозильник, снимите с его двери замки (если они есть), чтобы дети во время игры не оказались в нем запертыми.
- Морозильник должен использоваться только по прямому назначению, т.е. для замораживания и хранения пищевых продуктов.
- Не пытайтесь уничтожить старый морозильник, сжигая его. В теплоизоляции морозильника используются горючие материалы. Мы советуем Вам связаться с местными органами власти для получения информации относительно того, куда можно выбросить старый морозильник.
- Мы не рекомендуем пользоваться морозильником в неотапливаемом, холодном месте (например, в гараже, на складе, в пристройке, под навесом, в надворной постройке и т.п.).

Чтобы обеспечить максимально эффективную и бесперебойную работу морозильника, очень важно внимательно прочитать эту инструкцию. Поломка морозильника в результате несоблюдения наших рекомендаций может лишить Вас права на бесплатное обслуживание в течение гарантийного периода.

Пожалуйста, храните эту инструкцию в надежном месте, чтобы ее легко можно было найти в случае необходимости.

**Устройство не предназначено для использования людьми со сниженными физическими или умственными способностями, а также нарушениями чувствительности. Люди, не имеющие опыта обращения с данным устройством, могут использовать его только под наблюдением опытных лиц, ответственных за безопасность.**

**Использование устройства детьми также должно происходить под контролем взрослых.**

Изготовитель: фирма «АРКТИК» («ARCTIC S.A.») – дочерняя компания группы компаний Арчелик» («Arcelik A.S.»)

Юридический адрес: 135200, ул. 13 Дечембрие, 210, Гаести, Румыния

**Произведено в Румынии**

## Требования к электропитанию

Перед тем как вставить штепсель в электрическую розетку, убедитесь, что напряжение и частота тока, указанные на заводской марке внутри морозильника, соответствуют напряжению и частоте тока в электросети Вашего дома.

Мы рекомендуем подключать морозильник к электросети через розетку, должным образом установленную в легко доступном месте.

После установки вилка должна быть легкодоступна, чтобы устройство можно было легко отсоединять от сети питания.

### **Внимание! Морозильник должен быть заземлен**

Ремонт электрического оборудования могут выполнять только квалифицированные специалисты. При повреждении шнура питания производитель или сервисная служба должны заменить его во избежание опасности.

**ВНИМАНИЕ** – Не пользуйтесь никакими механическими приспособлениями, кроме тех, что рекомендуются в настоящей инструкции, для ускорения размораживания морозильника и очистки морозильной камеры от льда.

**ВНИМАНИЕ** – Не допускайте повреждения системы охлаждения.

**ВНИМАНИЕ** – Не устанавливайте внутри морозильника электрические приспособления кроме тех, которые рекомендованы изготовителем морозильника.

**ВНИМАНИЕ** – Во избежание несчастных случаев при повреждении шнура питания замену должен осуществлять производитель, его представитель по сервису или лицо, имеющее аналогичную квалификацию.

## Инструкция по транспортировке

1. Морозильник должен транспортироваться только в вертикальном положении. Заводская упаковка при транспортировке не должна быть повреждена.

2. Если во время транспортировки

морозильник был помещен горизонтально, им не следует пользоваться по крайней мере 4 часа для того, чтобы все его системы пришли в норму.

3. Изготовитель не несет ответственности за повреждение морозильника, если нарушаются вышеупомянутые рекомендации.

4. Морозильник должен быть защищен от дождя, влажности и других атмосферных воздействий.

### **Важное замечание!**

- Передвигая морозильник с места на место, берегите руки. Старайтесь не касаться металлических частей конденсатора в задней части морозильника. Вы можете повредить руки.
- Не садитесь и не вставайте на морозильник. Он для этого не предназначен. Вы можете получить травму или повредить морозильник.
- Убедитесь, что электрический провод не попал под морозильник во время и после перемещения морозильника, иначе его можно повредить.
- Не позволяйте детям играть с морозильником или баловаться с ручками и кнопками управления.

## Инструкция по установке

1. Не ставьте морозильник в помещение, в котором температура может опускаться ниже 10 °С ночью или, в особенности, зимой, поскольку морозильник рассчитан на работу при температуре окружающей среды в пределах от +10 до +43 °С. При более низкой температуре морозильник может не работать, и срок хранения продуктов в нем должен быть сокращен.

2. Не устанавливайте морозильник вблизи кухонных плит или радиаторов отопления или в прямом солнечном свете, поскольку это вызовет дополнительную нагрузку на агрегаты морозильника. Если Вы вынуждены устанавливать морозильник рядом с источником тепла или морозильником, обеспечьте следующее минимальное расстояние:

- от кухонных плит 30 мм
- от радиаторов отопления 300 мм
- от морозильников 25 мм



3. Для эффективной работы морозильника между ним и стеной должно оставаться пространство, достаточное для свободной циркуляции воздуха. (рис. 2).

• Укрепите на задней стенке морозильника ограничительную вентиляционную решетку, чтобы морозильник стоял на нужном расстоянии от стены (рис. 3).

4. Морозильник должен стоять на гладкой поверхности. Две передние ножки должны быть соответствующим образом отрегулированы. Чтобы добиться строго вертикального положения морозильника, отрегулируйте ножки, вращая их по часовой или против часовой стрелки, пока они не будут устойчиво стоять на полу.

Правильная регулировка ножек морозильника предотвращает чрезмерную вибрацию и шум (рис. 4).

5. Обратитесь к разделу “Чистка морозильника и уход за ним”, чтобы подготовить морозильник к эксплуатации.

## Регулировка температуры

Регулировка температуры морозильной камеры выполняется ручкой установки температуры морозильной камеры (рекомендуется установить в положение 2 или 3).

Обычно это температура ниже  $-18^{\circ}\text{C}$ . Для установки более низкой температуры ручку термостата необходимо поворачивать в направлении отметки MAX.

Показания термометра меняются быстро, поэтому постарайтесь отметить температуру сразу же как только достанете термометр из морозильника.

Помните, что при частом открывании двери холодный воздух выходит из морозильника и температура внутри него повышается, поэтому не оставляйте дверь морозильника открытой и старайтесь закрывать ее как можно быстрее.

## Перед началом работы

### Последняя проверка

Перед началом эксплуатации морозильника проверьте следующее:

1. Передние ножки должны быть отрегулированы так, чтобы обеспечивать устойчивое положение морозильника.
2. Внутри морозильника должно быть сухо, и воздух за ним должен циркулировать свободно.
3. Морозильник внутри должен быть чисто вымыт, как рекомендуется в разделе “Чистка морозильника и уход за ним”.
4. Штепсель должен быть вставлен в розетку и электричество включено. Не трогайте без необходимости выключатель, чтобы случайно не отключить морозильник.

### И обратите внимание на то, что:

5. Вы будете слышать шум при включении компрессора. Жидкость и газ внутри системы охлаждения также могут создавать некоторый шум, независимо от того, работает компрессор или нет. Это вполне нормально.

6. Для замораживания свежих продуктов пользуйтесь отделением, отмеченным 4 звездочками (рекомендуется использовать вторую полку).

7. Не замораживайте продукты сразу в слишком большом количестве за один раз. Продукты лучше сохраняются, если они заморожены насквозь максимально быстро. Поэтому не перегружайте морозильную камеру сверх ее замораживающей мощности (см. таблицу “Технические характеристики”). Ручку термостата следует установить в такое положение, чтобы получить наиболее низкую температуру в морозильном отделении при включенной функции быстрого замораживания и светящейся лампочке оранжевого цвета.

8. Не загружайте морозильник сразу же после включения. Подождите пока внутри не установится нужная температура. Мы советуем проверять температуру точным термометром (см. раздел “Регулировка температуры”).

**Важное замечание:**

В случае перебоев с электропитанием, не открывайте дверь морозильника. Замороженные продукты не пострадают, если электропитание прервано менее чем на 19 часов. Если электричества нет более длительное время, то следует проверить хранимые продукты и немедленно использовать их или проварить и заморозить заново.

## Панель управления морозильной камеры (Рис. 5)

С помощью панели управления можно настроить температуру в морозильной камере. Она имеет следующие функции:

### 1 - Оранжевый светодиод – функция быстрого замораживания включена

При повороте ручки регулировки температуры морозильного отделения кнопка (4) в положении FAST FREEZE (БЫСТРОЕ ЗАМОРАЖИВАНИЕ), загорится светодиод оранжевого цвета (1) и холодильник будет работать при максимально низкой температуре. Светодиод оранжевого цвета гаснет после 50 часов работы при максимально низкой температуре.

### 2 - Зеленый светодиод - электропитание подключено (напряжение)

Загорается при подключении устройства к сети питания и горит, пока источник питания доступен. Зеленый светодиод не предоставляет информацию о температуре внутри морозильной камеры.

### 3 - Красный светодиод - сигнализация высокой температуры

#### 4 - Ручка регулировки температуры

### Сигнализация высокой температуры

После первого включения устройства сигнализация отключена в течение 12 часов (красный светодиод не горит). По истечении этого времени красный светодиод загорается в таких случаях:

- если прибор перегружен свежими продуктами;
- если по ошибке дверца оставлена открытой.

Красный светодиод будет гореть, пока устройство не достигнет предварительно установленной температуры. Если загорелся красный светодиод, обращайтесь в авторизованную сервисную службу только по истечении суток.

**Важное замечание:**

Температура внутри морозильника зависит от конкретных условий эксплуатации: от того, где установлен морозильник, какая температура в помещении, как часто открывается дверь морозильника, насколько он загружен свежими продуктами. Для регулировки температуры устанавливайте ручку термостата согласно этим условиям. В случае если загорается красная предупреждающая лампочка, не торопитесь вызывать мастера. Подождите сутки. Возможно, Вы положили на заморозку слишком много свежих продуктов сразу или слишком долго была открыта дверь. Если это так, то через сутки красная лампочка погаснет.

## Режим быстрой заморозки

Для включения функции БЫСТРОГО ЗАМОРАЖИВАНИЯ установите ручку регулятора температуры в положение FAST FREEZE (БЫСТРОЕ ЗАМОРАЖИВАНИЕ). Продукты, которые вы хотите быстро заморозить, рекомендуется помещать в морозильное отделение через 24 часа после включения функции быстрого замораживания. Когда включена функция быстрого замораживания, холодильник работает с максимально низкой температурой в морозильном отделении. Продолжительность работы функции быстрого замораживания составляет 50 часов. По завершении этого времени холодильник возвращается в режим нормальной работы с настройкой температуры «3», даже если ручка-регулятор по-прежнему находится в положении FAST FREEZE (БЫСТРОЕ ЗАМОРАЖИВАНИЕ). Эта функция экодизайна обеспечивает экономию электроэнергии, если функция быстрого замораживания по какой-либо причине не была отменена. Производительность по замораживанию вашего холодильника измерена и указана в условиях включенной функции быстрого замораживания.

## Хранение замороженных продуктов

Морозильник рассчитан на длительное хранение пищевых продуктов, замороженных промышленным способом, а также может быть использован для замораживания и хранения свежих продуктов.

В случае перебоев с электропитанием, не открывайте дверь морозильника. Замороженные продукты не пострадают, если электропитание прервано менее чем на 19 часов. Если электричества нет более длительное время, то следует проверить хранимые продукты и немедленно использовать их или проварить и заморозить заново.

## Замораживание свежих продуктов

Пожалуйста, соблюдайте следующие рекомендации для получения наилучших результатов.

Не замораживайте продукты сразу в слишком большом количестве за один раз. Продукты лучше сохраняются, если они заморожены насквозь максимально быстро.

Если предстоит заморозить большое количество свежих продуктов, установите ручку регулятора в положение FAST FREEZE (БЫСТРОЕ ЗАМОРАЖИВАНИЕ) за 24 часа до того, как поместить свежие продукты в отделение быстрого замораживания.

Настоятельно рекомендуется установить ручку регулятора в положение FAST FREEZE (БЫСТРОЕ ЗАМОРАЖИВАНИЕ) не менее чем за 24 часа до замораживания максимального количества свежих продуктов, указанного в характеристиках производительности по замораживанию. Обратите особое внимание на то, чтобы не смешивать замороженные и свежие продукты.

Небольшие порции продуктов до 0,5 кг можно замораживать, не используя функцию быстрого замораживания. Будьте внимательны! Не смешивайте замороженные и свежие продукты.

## Замораживание льда

(Рис. 6)

Заполните лоток для льда водой на 3/4 и поместите его в морозильное отделение. Вытаскивайте кубики льда ручкой ложки или другим подобным инструментом; никогда не пользуйтесь острыми или режущими предметами вроде ножей или вилок.

## Общие сведения

(Рис. 1)

1. Панель управления, индикация и настройка
2. Лоток заморозки льда
3. Отделение быстрой заморозки
4. Отделения для хранения замороженных продуктов
5. Регулируемые передние ножки

## Размораживание морозильника

Пожалуйста, размораживайте морозильник по крайней мере два раза в год или, когда на стенках образуется слишком много льда.

- Образование льда и инея – это вполне нормальное явление.
- Лед, образующийся на верхней стенке отделений для хранения продуктов, не мешает работе морозильника.
- Рекомендуется размораживать морозильник, когда в нем мало продуктов.
- Перед тем, как размораживать морозильник, установите с помощью термостата максимально низкую температуру, чтобы как можно сильнее заморозить хранящиеся продукты.

- Отключите морозильник от электросети, вытащив провод из розетки.
- Вытащите из морозильника продукты, заверните их в несколько слоев бумаги и поместите в холодное место.
- Откройте дверь морозильника и поставьте внутрь емкость с теплой водой (не горячей 80 °С).
- Никогда не пользуйтесь острыми или режущими инструментами (типа ножей или вилок) для удаления льда.
- Никогда не пользуйтесь феном для сушки волос и другими электронагревательными приборами для размораживания морозильника.
- По окончании размораживания вымойте морозильник внутри, как описано в разделе “Чистка морозильника и уход за ним”.

### Чистка морозильника и уход за ним

1. Мы советуем Вам выключать морозильник выключателем и вытаскивать штепсель из электрической розетки перед чисткой.
2. Никогда не пользуйтесь для чистки морозильника острыми инструментами или абразивными материалами, мылом, бытовыми чистящими средствами, моющими или полирующими средствами.
3. Для чистки корпуса морозильника пользуйтесь теплой водой и вытирайте его насухо.
4. Смочите тряпку в растворе пищевой соды (одна чайная ложка на пол-литра воды) для того, чтобы вымыть морозильник внутри, и протрите все поверхности насухо.
5. Если Вы не собираетесь пользоваться морозильником в течение длительного времени, выключите его, уберите из него все продукты, вымойте внутри и оставьте дверь приоткрытой.
6. Мы советуем Вам полировать металлические части корпуса (т.е. внешнюю поверхность двери, боковые стенки) силиконовой мастикой (автомобильная полироль) для того, чтобы сохранить высокое качество окраски.

7. Пыль, скапливающуюся на змеевике конденсатора, расположенном на задней стенке морозильника, удаляйте пылесосом по крайней мере один раз в год.

8. Регулярно проверяйте уплотнение двери, чтобы убедиться, что оно чистое, и на нем нет остатков продуктов.

9. Никогда:

- не чистите морозильник не предназначенными для этого средствами;
- не подвергайте морозильник воздействию высокой температуры;
- не мойте, не протирайте морозильник, используя абразивные материалы.

10. Регулярно размораживайте морозильник, чтобы удалить излишний лед. Чрезмерно большое количество льда отрицательно сказывается на эффективности работы морозильника.

11. Для того, чтобы вытащить ящик, вытяните его до упора, приподнимите и вытащите окончательно.

### Перевешивание дверей

Выполните действия в порядке, указанном на рис. 9.

### Что следует и чего не следует делать

**Следует** - почаще проверять продукты, хранящиеся в морозильной камере.

**Следует** - регулярно чистить и размораживать морозильник (см. раздел “Размораживание морозильника”)

**Следует** - хранить продукты в течение как можно меньшего времени и строго соблюдать сроки хранения.

**Следует** - хранить готовые замороженные продукты в соответствии с инструкциями, указанными на упаковке.

**Следует** - всегда выбирать свежие продукты высокого качества и тщательно мыть их перед замораживанием.

**Следует** - делить свежие продукты на маленькие порции, чтобы они быстрее замораживались.

**Следует** - как можно скорее заворачивать только что купленные замороженные продукты и класть в морозильную камеру.

**Следует** - упаковывать продукты в отдельные пакеты и надписывать их. Тогда Вы быстрее сможете найти необходимые продукты и Вам не нужно будет слишком часто открывать дверь, что позволит экономить электроэнергию.

**Не следует** - оставлять дверь морозильника открытой в течение длительного времени, поскольку это приведет к чрезмерному образованию льда.

**Не следует** - пользоваться острыми или режущими инструментами (типа ножей или вилок) для удаления льда.

**Не следует** - помещать в морозильник горячие продукты. Надо дать им сначала остыть.

**Не следует** - помещать в морозильник наполненные жидкостью бутылки или нераспечатанные банки с газированными напитками, так как они могут разорваться.

**Не следует** - хранить в морозильнике ядовитые или опасные вещества. Морозильник предназначен для хранения только пищевых продуктов.

**Не следует** - превышать замораживающую мощность морозильника.

**Не следует** - употреблять мороженое или замороженную фруктовую воду прямо из морозильника. Вы можете обморозить губы.

**Не следует** - замораживать газированные напитки.

**Не следует** - сохранять размороженные продукты. Их необходимо использовать в течение суток, либо проварить и заморозить снова.

**Не следует** - доставать продукты из морозильника мокрыми руками.

**Не следует** - закрывать дверь морозильника, не закрыв крышку морозильной камеры.

## Устранение неисправностей

Если морозильник не работает, когда он включен, убедитесь:

- что штепсель вставлен в электрическую розетку правильно и что электричество не отключено. (Для проверки наличия тока в розетке, включите в нее другой электроприбор);
- что не сгорел плавкий предохранитель, не отключился выключатель или не отключен главный выключатель на распределительном щите;

- что регулятор температуры установлен правильно;
- что новый штепсель, используемый вместо заводского, поставлен правильно. Если морозильник все еще не работает после того, как Вы выполнили описанные выше проверочные действия, посоветуйтесь с продавцом, у которого Вы купили морозильник. Пожалуйста, убедитесь, что проверили все, что могли, иначе может получиться так, что Вам придется напрасно платить деньги за вызов специалиста, если никакого повреждения не будет обнаружено.

## Энергопотребление

Чтобы в максимальной мере использовать пространство морозильной камеры для хранения продуктов, следует вынуть из нее выдвижные контейнеры. Данные об энергопотреблении холодильника приведены для условий, когда выдвижные контейнеры вынуты, и морозильная камера полностью загружена.

### Практические рекомендации по снижению потребления электроэнергии

1. Бытовые электроприборы следует устанавливать в хорошо проветриваемых местах вдали от источников тепла, таких как кухонные плиты, радиаторы отопления и т.п. Кроме того, следует избегать мест, куда попадают прямые солнечные лучи.
2. Купленные охлажденные или замороженные продукты следует сразу же помещать соответственно в холодильное или морозильное отделение, в особенности, в летнее время. Для доставки продуктов из магазина домой рекомендуется использовать термосумки.
3. Продукты, вынутые из морозильной камеры, рекомендуется помещать для размораживания в холодильное отделение. Чтобы не допустить загрязнения холодильного отделения, замороженные продукты следует класть в емкости, куда при оттаивании будет стекать вода. Рекомендуется начинать размораживание продуктов, по крайней мере, за сутки до их употребления.
4. Рекомендуется открывать дверцы как можно реже.
5. Не оставляйте дверцы прибора открытыми без надобности и следите за тем, чтобы они были всегда плотно закрыты.

## Вибрация и шум, которые могут возникать во время работы прибора

1. В процессе работы холодильника уровень шума может повышаться.
  - Для поддержания температуры в отделениях на заданном уровне периодически включается компрессор прибора. Шум усиливается при запуске компрессора, а при выключении компрессора слышен щелчок.
  - Рабочие характеристики прибора могут изменяться в зависимости от изменений температуры окружающей среды. Это нормальное явление.
2. Шум льющейся или разбрызгивающейся жидкости.

- Причиной таких шумов является циркуляция хладагента в системе охлаждения, что соответствует принципам работы прибора.

### 3. Другие вибрации или шумы


- Уровень шума и вибрации зависит от типа и качества пола, на котором установлен прибор. Пол должен быть достаточно ровным и выдерживать вес прибора.

- Источником шума могут быть предметы, лежащие на приборе. Такие предметы следует убрать с прибора.

### **Внимание!**

Не пытайтесь устранить неисправность в работе морозильника самостоятельно. Ремонт, выполненный неквалифицированным мастером, может привести к тому, что морозильник станет опасным для эксплуатации, а гарантия будет аннулирована.



Символ  изделия или на упаковке указывает, что изделие не должно утилизироваться с бытовыми отходами. Вместо этого его следует сдать на соответствующий пункт сбора отходов по утилизации электрического и электронного оборудования. Обеспечивая надлежащую утилизацию данного изделия, вы способствуете предотвращению потенциальных негативных последствий для окружающей среды и здоровья людей, которые в противном случае могут наступить вследствие неправильного обращения с его отходами. За более подробной информацией по утилизации данного изделия обратитесь в местную городскую администрацию, службу утилизации бытовых отходов или в магазин, в котором вы приобрели изделие.



4578332516/AJ  
EN,FR,D,NL,IT,UKR,CZ,SK,RUS

[www.beko.com](http://www.beko.com)