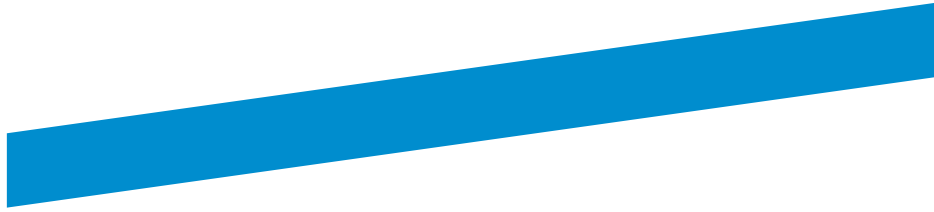


beko



Cooler/Freezer
Kühlschrank/ Gefrierschrank
Congélateur / réfrigérateur
Koelkast

BLSA821M3S

Please read this user manual first!

Dear Customer,

We hope that your product, which has been produced in modern plants and checked under the most meticulous quality control procedures, will provide you an effective service.

Therefore, read this entire user manual carefully before using the product and keep it as a reference. If you handover the product to someone else, give the user manual as well.

The user manual will help you use the product in a fast and safe way.


- Read the manual before installing and operating the product.
- Make sure you read the safety instructions.
- Keep the manual in an easily accessible place as you may need it later.
- Read the other documents given with the product.

Remember that this user manual is also applicable for several other models. Differences between models will be identified in the manual.

Explanation of symbols

Throughout this user manual the following symbols are used:

 Important information or useful tips.

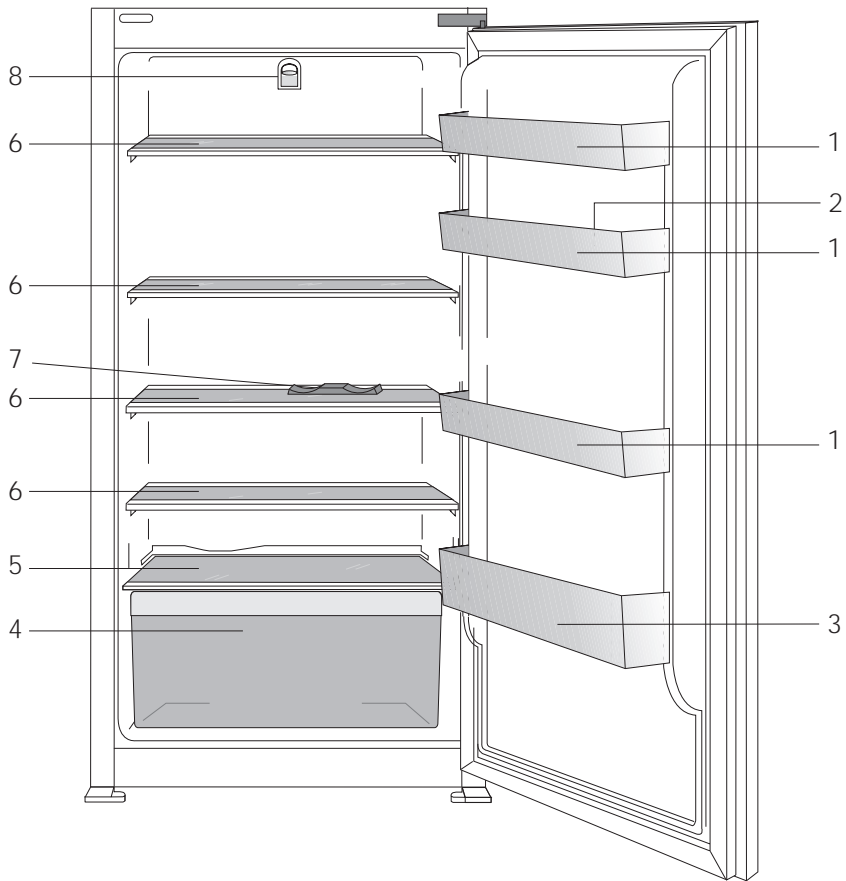
 Warning against dangerous conditions for life and property.

 Warning against electric voltage.

CONTENTS

1 Your cooler/freezer	3	4 Preparation	11
2 Important Safety Warnings	4	5 Using your cooler/freezer	12
Intended use	4	Setting the operating temperature....	12
General safety	4	Using interior compartments.....	12
For products with a water dispenser;	6	Cooling.....	12
Child safety.....	6	Defrost	13
Compliance with the WEEE Regulation and Disposing of the Waste Product..	6	Stopping your product.....	13
Package information.....	7	6 Maintenance and cleaning	14
HCA warning	7	Protection of plastic surfaces	14
Things to be done for energy saving ..	7	7 Troubleshooting	15
3 Installation	8		
Points to be paid attention to when the relocation of the cooler/freezer.....	8		
Before you start the cooler/freezer,	8		
Electrical connection.....	8		
Disposing of the packaging	9		
Disposing of your old cooler/freezer...	9		
Placing and Installation	9		
Replacing the interior lamp.....	9		
Reversing the doors	10		

1 Your cooler/freezer



- | | |
|----------------------------|----------------------------------|
| 1. Adjustable door shelves | 6. Movable shelves |
| 2. Egg tray | 7. Bottle holder |
| 3. Bottle shelves | 8. Light bulb and thermostat box |
| 4. Crisper | |
| 5. Crisper cover | |

i Figures that take place in this instruction manual are schematic and may not correspond exactly with your product. If the subject parts are not included in the product you have purchased, then it is valid for other models.

2 Important Safety Warnings

Please review the following information. Failure to observe this information may cause injuries or material damage. Otherwise, all warranty and reliability commitments will become invalid.

Original Spare parts will be provided for 10 years, following the product purchasing date.

Intended use

This product is intended to be used

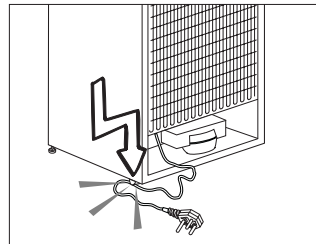
- indoors and in closed areas such as homes;
- in closed working environments such as stores and offices;
- in closed accommodation areas such as farm houses, hotels, pensions.
- It should not be used outdoors.

General safety

- When you want to dispose/scrap the product, we recommend you to consult the authorized service in order to learn the required information and authorized bodies.
- Consult your authorized service for all your questions and problems related to the cooler/freezer. Do not intervene or let someone intervene to the cooler/freezer without notifying the authorised services.
- For products with a freezer compartment; Do not eat cone ice cream and ice cubes immediately after you take them out of the freezer compartment! (This may cause frostbite in your mouth.)

- For products with a freezer compartment; Do not put bottled and canned liquid beverages in the freezer compartment. Otherwise, these may burst.
- Do not touch frozen food by hand; they may stick to your hand.
- Unplug your cooler/freezer before cleaning or defrosting.
- Vapor and vaporized cleaning materials should never be used in cleaning and defrosting processes of your cooler/freezer. In such cases, the vapor may get in contact with the electrical parts and cause short circuit or electric shock.
- Never use the parts on your cooler/freezer such as the door as a means of support or step.
- Do not use electrical devices inside the cooler/freezer.
- Do not damage the parts, where the refrigerant is circulating, with drilling or cutting tools. The refrigerant that might blow out when the gas channels of the evaporator, pipe extensions or surface coatings are punctured causes skin irritations and eye injuries.
- Do not cover or block the ventilation holes on your cooler/freezer with any material.
- Electrical devices must be repaired by only authorised persons. Repairs performed by incompetent persons create a risk for the user.

- In case of any failure or during a maintenance or repair work, disconnect your cooler/freezer's mains supply by either turning off the relevant fuse or unplugging your appliance.
- Do not pull by the cable when pulling off the plug.
- Place the beverage with higher proofs tightly closed and vertically.
- Never store spray cans containing flammable and explosive substances in the cooler/freezer.
- Do not use mechanical devices or other means to accelerate the defrosting process, other than those recommended by the manufacturer.
- This product is not intended to be used by persons with physical, sensory or mental disorders or unlearned or inexperienced people (including children) unless they are attended by a person who will be responsible for their safety or who will instruct them accordingly for use of the product
- Do not operate a damaged cooler/freezer. Consult with the service agent if you have any concerns.
- Electrical safety of your cooler/freezer shall be guaranteed only if the earth system in your house complies with standards.
- Exposing the product to rain, snow, sun and wind is dangerous with respect to electrical safety.
- Contact authorized service when there is a power cable damage to avoid danger.
- Never plug the cooler/freezer into the wall outlet during installation. Otherwise, risk of death or serious injury may arise.
- This cooler/freezer is intended for only storing food items. It must not be used for any other purpose.
- Label of technical specifications is located on the left wall inside the cooler/freezer.
- Never connect your cooler/freezer to electricity-saving systems; they may damage the cooler/freezer.
- If there is a blue light on the cooler/freezer, do not look at the blue light with optical tools.
- For manually controlled cooler/freezers, wait for at least 5 minutes to start the cooler/freezer after power failure.
- This operation manual should be handed in to the new owner of the product when it is given to others.
- Avoid causing damage on power cable when transporting the cooler/freezer. Bending cable may cause fire. Never place heavy objects on power cable.
- Do not touch the plug with wet hands when plugging the product.



- Do not plug the cooler/freezer if the wall outlet is loose.
- Water should not be sprayed on inner or outer parts of the product for safety purposes.
- Do not spray substances containing inflammable gases such as propane gas near the cooler/freezer to avoid fire and explosion risk.
- Never place containers filled with water on top of the cooler/freezer; in the event of spillages, this may cause electric shock or fire.
- Do not overload the cooler/freezer with food. If overloaded, the food items may fall down and hurt you and damage cooler/freezer when you open the door.
- Never place objects on top of the cooler/freezer; otherwise, these objects may fall down when you open or close the cooler/freezer's door.
- As they require a precise temperature, vaccines, heat-sensitive medicine and scientific materials and etc. should not be kept in the cooler/freezer.
- If not to be used for a long time, cooler/freezer should be unplugged. A possible problem in power cable may cause fire.
- The plug's tip should be cleaned regularly with a dry cloth; otherwise, it may cause fire.
- Cooler/freezer may move if adjustable legs are not properly secured on the floor. Properly securing adjustable legs on the floor can prevent the cooler/freezer to move.
- When carrying the cooler/freezer, do not hold it from door handle. Otherwise, it may be snapped.

- When you have to place your product next to another cooler/freezer or freezer, the distance between devices should be at least 8cm. Otherwise, adjacent side walls may be humidified.

For products with a water dispenser;

- Pressure of water mains should be minimum 1 bar. Pressure of water mains should be maximum 8 bars.
- Use only potable water.

Child safety

- If the door has a lock, the key should be kept away from reach of children.
- Children must be supervised to prevent them from tampering with the product.

Compliance with the WEEE Regulation and Disposing of the Waste Product

This product does not contain harmful and forbidden materials described in the "Regulation on the Control of the Waste Electrical and Electronic Equipment" issued by the T.R. Ministry of Environment and City Planning. Complies with the WEEE Regulation.



This product has been manufactured with high quality parts and materials which can be reused and are suitable for recycling. Therefore, do not dispose the product with normal domestic waste at the end of its service life. Take it to a collection point for the recycling of electrical and electronic equipment. Please consult your local authorities to learn the nearest collection

point. Help protect the environment and natural resources by recycling used products. For children's safety, cut the power cable and break the locking mechanism of the door, if any, so that it will be non-functional before disposing of the product.

Package information

Packaging materials of the product are manufactured from recyclable materials in accordance with our National Environment Regulations. Do not dispose of the packaging materials together with the domestic or other wastes. Take them to the packaging material collection points designated by the local authorities.

Do not forget...

Any recycled substance is an indispensable matter for nature and our national asset wealth.

If you want to contribute to the re-evaluation of the packaging materials, you can consult to your environmentalist organizations or the municipalities where you are located.

HCA warning

If your product's cooling system contains R600a:

This gas is flammable. Therefore, pay attention to not damaging the cooling system and piping during usage and transportation. In the event of damage, keep your product away from potential fire sources that can cause the product catch a fire and ventilate the room in which the unit is placed.

Ignore this warning if your product's cooling system contains R134a.

Type of gas used in the product is stated in the type label which is on the left wall inside the cooler/freezer.

Never throw the product in fire for disposal.

Things to be done for energy saving

- Do not leave the doors of your cooler/freezer open for a long time.
- Do not put hot food or drinks in your cooler/freezer.
- Do not overload your cooler/freezer so that the air circulation inside of it is not prevented.
- Do not install your cooler/freezer under direct sunlight or near heat emitting appliances such as ovens, dishwashers or radiators. Keep your cooler/freezer at least 30cm away from heat emitting sources and at least 5cm from electrical ovens.
- Pay attention to keep your food in closed containers.
- For products with a freezer compartment; You can store maximum amount of food items in the freezer when you remove the shelf or drawer of the freezer. Energy consumption value stated for your cooler/freezer has been determined by removing freezer shelf or drawer and under maximum load. There is no harm to use a shelf or drawer according to the shapes and size of food to be frozen.
- Thawing frozen food in fridge compartment will both provide energy saving and preserve the food quality.

3 Installation

⚠ In case the information which are given in the user manual are not taken into account, manufacturer will not assume any liability for this.

Points to be paid attention to when the relocation of the cooler/freezer

1. Your cooler/freezer should be unplugged. Before transportation of your cooler/freezer, it should be emptied and cleaned.
2. Before it is re-packaged, shelves, accessories, crisper, etc. inside your cooler/freezer should be fixed with adhesive tape and secured against impacts. Package should be bound with a thick tape or sound ropes and the transportation rules on the package should be strictly observed.
3. Original packaging and foam materials should be kept for future transportations or moving.

Before you start the cooler/freezer,

Check the following before you start to use your cooler/freezer:

1. Attach 2 plastic wedges. Plastic wedges are intended to keep the distance which will ensure the air circulation between your cooler/freezer and the wall.
2. Clean the interior of the cooler/freezer as recommended in the "Maintenance and cleaning" section.

3. Connect the plug of the cooler/freezer to the wall socket. When the fridge door is opened, fridge internal lamp will turn on.
4. When the compressor starts to operate, a sound will be heard. The liquid and gases sealed within the refrigeration system may also give rise to noise, even if the compressor is not running and this is quite normal.
5. Front edges of the cooler/freezer may feel warm. This is normal. These areas are designed to be warm to avoid condensation.

Electrical connection

Connect your product to a grounded socket which is being protected by a fuse with the appropriate capacity.

Important:

The connection must be in compliance with national regulations.

- The power plug must be easily accessible after installation.
- Electrical safety of your cooler/freezer shall be guaranteed only if the earth system in your house complies with standards.
- The voltage stated on the label located at left inner side of your product should be equal to your network voltage.
- **Extension cables and multi plugs must not be used for connection.**

⚠ A damaged power cable must be replaced by a qualified electrician.

⚠ Product must not be operated before it is repaired! There is the risk of electric shock!

Disposing of the packaging

The packing materials may be dangerous for children. Keep the packing materials out of the reach of children or dispose of them by classifying them in accordance with the waste instructions stated by your local authorities. Do not throw away with regular house waste, throw away on packaging pick up spots designated by the local authorities.

The packing of your cooler/freezer is produced from recyclable materials.


Disposing of your old cooler/freezer

Dispose of your old cooler/freezer without giving any harm to the environment.

- You may consult your authorized dealer or waste collection center of your municipality about the disposal of your cooler/freezer.

Before disposing of your cooler/freezer, cut out the electric plug and, if there are any locks on the door, make them inoperable in order to protect children against any danger.

Placing and Installation

 If the entrance door of the room where the cooler/freezer will be installed is not wide enough for the cooler/freezer to pass through, then call the authorized service to have them remove the doors of your cooler/freezer and pass it sideways through the door.

1. Install your cooler/freezer to a place that allows ease of use.
2. Keep your cooler/freezer away from heat sources, humid places and direct sunlight.
3. There must be appropriate air ventilation around your cooler/freezer in order to achieve an efficient operation. If the cooler/freezer is to be placed in a recess in the wall, there must be at least 5 cm distance with the ceiling and at least 5 cm with the wall. Do not place your product on the materials such as rug or carpet.
4. Place your cooler/freezer on an even floor surface to prevent jolts.

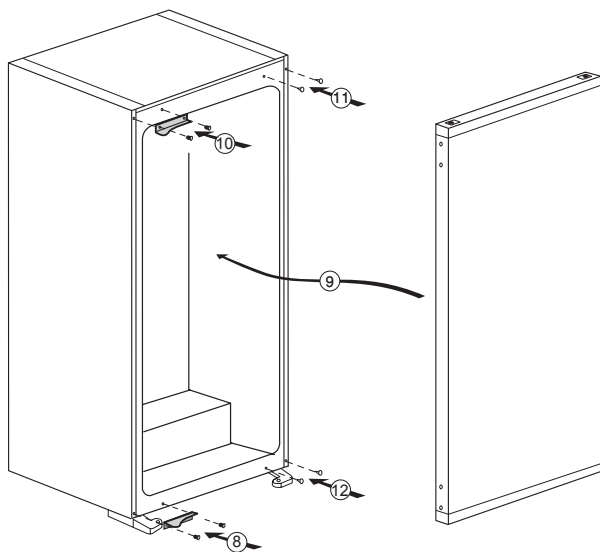
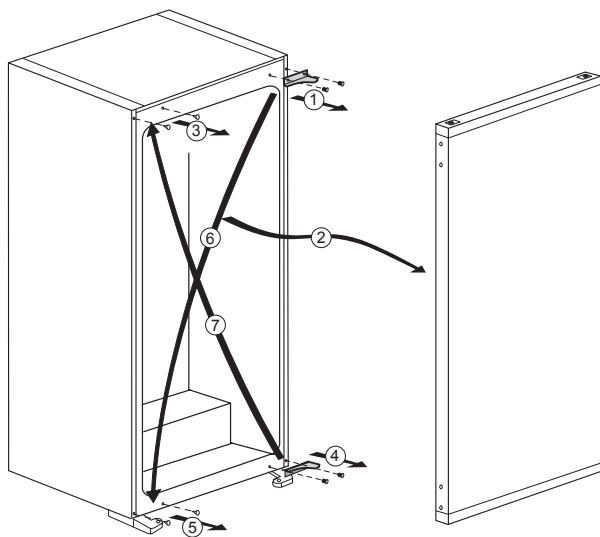
Replacing the interior lamp

To change the Bulb/LED used for illumination of your refrigerator, call your AuthorisedService.

The lamp(s) used in this appliance is not suitable for household room illumination. The intended purpose of this lamp is to assist the user to place foodstuffs in the refrigerator/freezer in a safe and comfortable way.

The lamps used in this appliance have to withstand extreme physical conditions such as temperatures below -20°C.

Reversing the doors

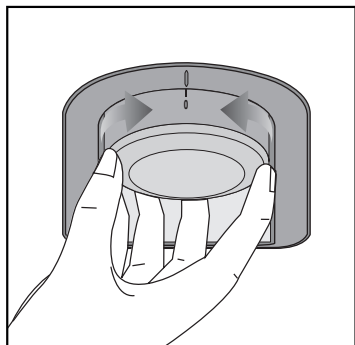


4 Preparation

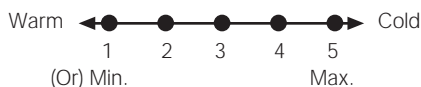
- Your cooler/freezer should be installed at least 30 cm away from heat sources such as hobs, ovens, central heater and stoves and at least 5 cm away from electrical ovens and should not be located under direct sunlight.
- The ambient temperature of the room where you install your cooler/freezer should at least be 10°C. Operating your cooler/freezer under cooler conditions is not recommended with regard to its efficiency.
- Please make sure that the interior of your cooler/freezer is cleaned thoroughly.
- If two cooler/freezers are to be installed side by side, there should be at least 2 cm distance between them.
- When you operate your cooler/freezer for the first time, please observe the following instructions during the initial six hours.
- The door should not be opened frequently.
- It must be operated empty without any food in it.
- Do not unplug your cooler/freezer. If a power failure occurs out of your control, please see the warnings in the “Recommended solutions for the problems” section.
- Original packaging and foam materials should be kept for future transportations or moving.

5 Using your cooler/freezer

Setting the operating temperature



The operating temperature is regulated by the temperature control.



1 = Lowest cooling setting (Warmest setting)

5 = Highest cooling setting (Coldest setting)

(Or)

Min. = Lowest cooling setting

(Warmest setting)

Max. = Highest cooling setting

(Coldest setting)

The average temperature inside the fridge should be around +5°C.

Please choose the setting according to the desired temperature.

Please note that there will be different temperatures in the cooling area.

The coldest region is immediately above the vegetable compartment.

The interior temperature also depends on ambient temperature, the frequency with which the door is opened and the amount of foods kept inside.

Frequently opening the door causes the interior temperature to rise.

For this reason, it is recommended to close the door again as soon as possible after use.

Using interior compartments

Movable shelves: Distance between the shelves can be adjusted when necessary.

Vegetable drawer: Vegetables and fruits can be stored in this compartment for long periods without decaying.

Bottle shelf: Bottles, jars and tins can be placed in these shelves.

Cooling

Food storage

The fridge compartment is for the short-term storage of fresh food and drinks.

Store milk products in the intended compartment in the cooler/freezer.

Bottles can be stored in the bottle holder or in the bottle shelf of the door.

Raw meat is best kept in a polyethylene bag in the compartment at the very bottom of the cooler/freezer.

Allow hot foods and beverages to cool to room temperature prior to placing them in the cooler/freezer.

- Attention

Store concentrated alcohol only standing upright and tightly closed.

- Attention

Do not store explosive substances or containers with flammable propellant gases (canned cream, spray cans etc.) in the device. There is a danger of explosion.

Defrost

The fridge compartment defrosts automatically. The thawing water flows through the drain channel into a collection container at the rear of the device.

During defrosting, water droplets form at the back of the fridge due to the evaporator.

If not all of the drops run down, they may freeze again after defrosting remove them with a cloth soaked in warm water, but never with a hard or sharp object.

Check the flow of the thawed water from time to time. It may become plugged occasionally.

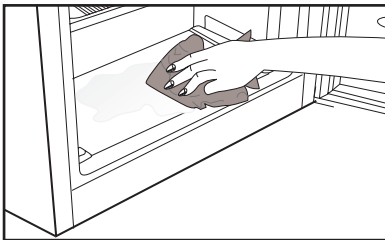
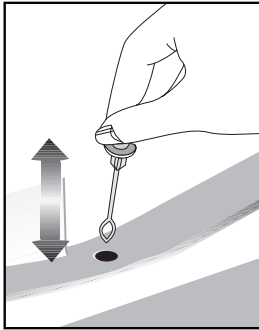
Stopping your product

If your thermostat is equipped with "0" position:

- Your product will stop operating when you turn the thermostat button to "0" (zero) position. Your product will not start unless to you turn the thermostat button to position "1" or one of the other positions again.

If your thermostat is equipped with "min" position:

- Unplug your product to stop it.



6 Maintenance and cleaning

⚠ Never use gasoline, benzene or similar substances for cleaning purposes.

⚠ We recommend that you unplug the appliance before cleaning.

⚠ Never use any sharp abrasive instrument, soap, household cleaner, detergent and wax polish for cleaning.

ℹ Use lukewarm water to clean the cabinet of your cooler/freezer and wipe it dry.

ℹ Use a damp cloth wrung out in a solution of one teaspoon of bicarbonate of soda to one pint of water to clean the interior and wipe it dry.

⚠ Make sure that no water enters the lamp housing and other electrical items.

⚠ If your cooler/freezer is not going to be used for a long period of time, unplug the power cable, remove all food, clean it and leave the door ajar.

ℹ Check door seals regularly to ensure they are clean and free from food particles.

⚠ To remove door racks, remove all the contents and then simply push the door rack upwards from the base.

⚠ Never use cleaning agents or water that contain chlorine to clean the outer surfaces and chromium coated parts of the product. Chlorine causes corrosion on such metal surfaces.

Protection of plastic surfaces

ℹ Do not put the liquid oils or oil-cooked meals in your cooler/freezer in unsealed containers as they damage the plastic surfaces of your cooler/freezer. In case of spilling or smearing oil on the plastic surfaces, clean and rinse the relevant part of the surface at once with warm water.

7 Troubleshooting

Please review this list before calling the service. It will save your time and money. This list includes frequent complaints that are not arising from defective workmanship or material usage. Some of the features described here may not exist in your product.

The cooler/freezer does not operate.

- The plug is not inserted into the socket correctly. >>>Insert the plug into the socket securely.
- The fuse of the socket which your cooler/freezer is connected to or the main fuse have blown out. >>>Check the fuse.

Condensation on the side wall of the fridge compartment (MULTIZONE, COOL CONTROL and FLEXI ZONE).

- Ambient is very cold. >>>Do not install the cooler/freezer in places where the temperature falls below 10 °C.
- Door has been opened frequently. >>>Do not open and close the door of cooler/freezer frequently.
- Ambient is very humid. >>>Do not install your cooler/freezer into highly humid places.
- Food containing liquid is stored in open containers. >>>Do not store food with liquid content in open containers.
- Door of the cooler/freezer is left ajar. >>>Close the door of the cooler/freezer.
- Thermostat is set to a very cold level. >>>Set the thermostat to a suitable level.

Compressor is not running

- Protective thermic of the compressor will blow out during sudden power failures or plug-out plug-ins as the refrigerant pressure in the cooling system of the cooler/freezer has not been balanced yet. The cooler/freezer will start running approximately after 6 minutes. Please call the service if the cooler/freezer does not startup at the end of this period.
- The fridge is in defrost cycle. >>>This is normal for a full-automatically defrosting cooler/freezer. Defrosting cycle occurs periodically.
- The cooler/freezer is not plugged into the socket. >>>Make sure that the plug is fit in o the socket.
- Temperature settings are not made correctly. >>>Select the suitable temperature value.
- There is a power outage. >>>Cooler/freezer returns to normal operation when the power restores.

The operation noise increases when the cooler/freezer is running.
<ul style="list-style-type: none"> The operating performance of the cooler/freezer may change due to the changes in the ambient temperature. It is normal and not a fault.
The cooler/freezer is running frequently or for a long time.
<ul style="list-style-type: none"> New product may be wider than the previous one. Larger cooler/freezers operate for a longer period of time. The room temperature may be high. >>>It is normal that the product operates for longer periods in hot ambient. The cooler/freezer might be plugged in recently or might be loaded with food. >>>When the cooler/freezer is plugged in or loaded with food recently, it will take longer for it to attain the set temperature. This is normal. Large amounts of hot food might be put in the cooler/freezer recently. >>>Do not put hot food into the cooler/freezer. Doors might be opened frequently or left ajar for a long time. >>>The warm air that has entered into the cooler/freezer causes the cooler/freezer to run for longer periods. Do not open the doors frequently. Freezer or fridge compartment door might be left ajar. >>>Check if the doors are closed completely. The cooler/freezer is adjusted to a very low temperature. >>>Adjust the cooler/freezer temperature to a warmer degree and wait until the temperature is achieved. Door seal of the fridge or freezer may be soiled, worn out, broken or not properly seated. >>>Clean or replace the seal. Damaged/broken seal causes the cooler/freezer to run for a longer period of time in order to maintain the current temperature.
Freezer temperature is very low while the fridge temperature is sufficient
<ul style="list-style-type: none"> The freezer temperature is adjusted to a very low value. >>>Adjust the freezer temperature to a warmer degree and check.
Fridge temperature is very low while the freezer temperature is sufficient
<ul style="list-style-type: none"> The fridge temperature is adjusted to a very low value. >>>Adjust the fridge temperature to a warmer degree and check.
Food kept in the fridge compartment drawers is frozen.
<ul style="list-style-type: none"> The fridge temperature is adjusted to a very high value. >>>Adjust the fridge temperature to a lower value and check.

Temperature in the fridge or freezer is very high.

- The fridge temperature is adjusted to a very high value. >>>Fridge compartment temperature setting has an effect on the temperature of the freezer. Change the temperatures of the fridge or freezer and wait until the relevant compartments attain a sufficient temperature.
- Doors are opened frequently or left ajar for a long time. >>>Do not open the doors frequently.
- Door is ajar. >>>Close the door completely.
- The cooler/freezer is plugged in or loaded with food recently. >>>This is normal. When the cooler/freezer is plugged in or loaded with food recently, it will take longer for it to attain the set temperature.
- Large amounts of hot food might be put in the cooler/freezer recently. >>>Do not put hot food into the cooler/freezer.

Vibrations or noise.

- The floor is not level or stable. >>> If the cooler/freezer rocks when moved slowly, balance it by adjusting its feet. Also make sure that the floor is strong enough to carry the cooler/freezer, and level.
- The items put onto the cooler/freezer may cause noise. >>>Remove the items on top of the cooler/freezer.

There are noises coming from the cooler/freezer like liquid flowing, spraying, etc.

- Liquid and gas flows occur in accordance with the operating principles of your cooler/freezer. It is normal and not a fault.

Whistle comes from the cooler/freezer.

- Fans are used in order to cool the cooler/freezer. It is normal and not a fault.

Condensation on the inner walls of cooler/freezer.

- Hot and humid weather increases icing and condensation. It is normal and not a fault.
- Doors are opened frequently or left ajar for a long time. >>>Do not open the doors frequently. Close them if they are open.
- Door is ajar. >>>Close the door completely.

Humidity occurs on the outside of the cooler/freezer or between the doors.

- There might be humidity in the air; this is quite normal in humid weather. When the humidity is less, condensation will disappear.

Bad odour inside the cooler/freezer.

- No regular cleaning is performed. >>>Clean the inside of the cooler/freezer regularly with a sponge, lukewarm water or carbonate dissolved in water.
- Some containers or package materials may cause the smell. >>>Use a different container or different brand packaging material.
- Food is put into the cooler/freezer in uncovered containers. >>>Keep the food in closed containers. Microorganisms spreading out from uncovered containers can cause unpleasant odours.
- Remove the foods that have expired best before dates and spoiled from the cooler/freezer.

The door is not closing.

- Food packages are preventing the door from closing. >>>Replace the packages that are obstructing the door.
- The cooler/freezer is not completely even on the floor. >>>Adjust the feet to balance the cooler/freezer.
- The floor is not level or strong. >>>Make sure that the floor is level and capable to carry the cooler/freezer.

Crispers are stuck.

- The food is touching the ceiling of the drawer. >>>Rearrange food in the drawer.

Bitte lesen Sie zuerst diese Anleitung!

Lieber Kunde,

Wir sind sicher, dass Ihnen dieses Produkt, das in modernsten Fertigungsstätten hergestellt und den strengsten Qualitätsprüfungen unterzogen wurde, lange Zeit gute Dienste leisten wird.




Wir empfehlen Ihnen, vor Inbetriebnahme des Gerätes das gesamte Handbuch durchzulesen und es anschließend aufzubewahren.

Diese Anleitung...

- hilft Ihnen, Ihr Gerät schnell und sicher zu bedienen.
- Lesen Sie die Anleitung, bevor Sie Ihr Gerät aufstellen und bedienen.
- Halten Sie sich an die Anweisungen, beachten Sie insbesondere die Sicherheitshinweise.
- Bewahren Sie die Anleitung an einem leicht zugänglichen Ort auf, damit Sie jederzeit darin nachschlagen können.
- Lesen Sie auch die weiteren Dokumente, die mit Ihrem Produkt geliefert wurden. Bitte beachten Sie, dass diese Anleitung eventuell auch für andere Geräte eingesetzt werden kann.

Symbole und ihre Bedeutung

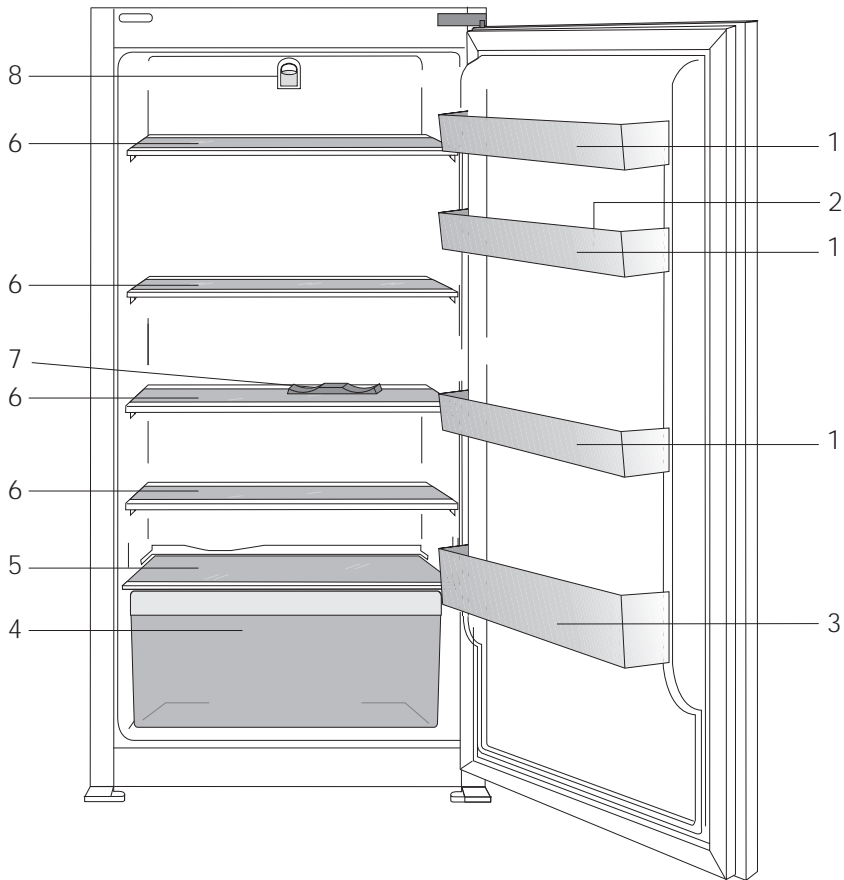
In dieser Anleitung finden Sie die folgenden Symbole:

-  Wichtige Informationen oder nützliche Tipps.
-  Warnung vor Verletzungen oder Sachschäden.
-  Warnung vor elektrischem Strom.

INHALT

1 Ihr Kühlschrank	3	4 Vorbereitung	12
2 Wichtige Sicherheitshinweise	4	5 Nutzung des Kühlschranks	13
Bestimmungsgemäßer Einsatz.....4		Einstellen der Betriebstemperatur 13	
Allgemeine Hinweise zu Ihrer Sicherheit	4	Die Betriebstemperatur wird über die Temperatursteuerung reguliert. 13	
Bei Geräten mit Wasserspender:	7	Innenfächer verwenden..... 13	
Kinder – Sicherheit	7	Kühlen..... 13	
Konformität mit der WEEE-Richtlinie zur Entsorgung von Altgeräten	7	Abtauen..... 14	
Hinweise zur Verpackung	7	Gerät stoppen	14
HCA-Warnung.....	7	6 Wartung und Reinigung	15
Tipps zum Energiesparen	8	Schutz der Kunststoffflächen	15
3 Installation	9	7 Empfehlungen zur Problemlösung	16
Was Sie bei einem weiteren Transport Ihres Kühlschranks beachten müssen			
Bevor Sie Ihren Kühlschrank einschalten	9		
Verpackungsmaterialien entsorgen ..	10		
Altgeräte entsorgen	10		
Aufstellung und Installation	10		
Austausch der Innenbeleuchtung	10		
Türanschlag umkehren.....	11		

1 Ihr Kühlschrank



- | | | | |
|----|-------------------------|----|---------------------------------|
| 1. | Verstellbare Türablagen | 6. | Bewegliche Ablagen |
| 2. | Eierbehälter | 7. | Flaschenhalter |
| 3. | Flaschenablagen | 8. | Innenbeleuchtung und Thermostat |
| 4. | Gemüsefach | | |
| 5. | Gemüsefachabdeckung | | |

! Abbildungen und Angaben in dieser Anleitung sind schematisch und können etwas von Ihrem Produkt abweichen. Falls Teile nicht zum Lieferumfang des erworbenen Gerätes zählen, gelten sie für andere Modelle.

2 Wichtige Sicherheitshinweise

Bitte lesen Sie die folgenden Hinweise aufmerksam durch. Bei Nichtbeachtung dieser Angaben kann es zu Verletzungen und Sachschäden kommen. In diesem Fall erlöschen auch sämtliche Garantie- und sonstigen Ansprüche.

Originalersatzteile stehen für einen Zeitraum von 10 Jahren ab Kaufdatum zur Verfügung.

Bestimmungsgemäßer Einsatz

Dieses Produkt dient dem Einsatz in

- Innenräumen und geschlossenen Bereichen, wie z. B. Haushalten;
- geschlossenen Arbeitsbereichen, wie Läden und Büros;
- geschlossenen Unterkunftsbereichen, wie Bauernhöfen, Hotels und Pensionen.
- Das Gerät sollte nicht im Freien benutzt werden.

Allgemeine Hinweise zu Ihrer Sicherheit

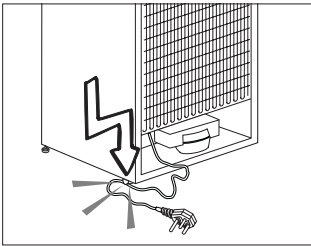
- Wenn Sie das Gerät entsorgen möchten, wenden Sie sich am besten an den autorisierten Kundendienst. Hier erhalten Sie notwendige Informationen und erfahren, welche Stellen für die Entsorgung zuständig sind.
- Bei Problemen und Fragen zum Gerät wenden Sie sich grundsätzlich an den autorisierten Kundendienst. Ziehen Sie keine Dritten zu Rate, versuchen

Sie nichts in Eigenregie, ohne den autorisierten Kundendienst davon in Kenntnis zu setzen.

- Bei Geräten mit Tiefkühlbereich: Der Verzehr von Speiseeis und Eiswürfeln unmittelbar nach der Entnahme aus dem Tiefkühlbereich ist nicht ratsam. (Dies kann zu Erfrierungen führen.)
- Bei Geräten mit Tiefkühlbereich: Bewahren Sie Getränke in Flaschen sowie Dosen niemals im Tiefkühlbereich auf. Diese platzen.
- Berühren Sie gefrorene Lebensmittel nicht mit der Hand; sie können festfrieren.
- Trennen Sie Ihren Kühlschrank vor dem Reinigen oder Abtauen vom Stromnetz.
- Verwenden Sie niemals Dampf- oder Sprühreiniger zum Reinigen und Abtauen Ihres Kühlschranks. Die Dämpfe oder Nebel können in Kontakt mit stromführenden Teilen geraten und Kurzschlüsse oder Stromschläge auslösen.
- Missbrauchen Sie niemals Teile Ihres Kühlschranks (z. B. Tür) als Befestigungen oder Kletterhilfen.
- Nutzen Sie keine elektrischen Geräte innerhalb des Kühlschranks.
- Achten Sie darauf, den Kühlkreislauf keinesfalls mit Bohr- oder Schneidwerkzeugen zu beschädigen. Das Kühlmittel kann herausspritzen, wenn die Gaskanäle des Verdunsters, Rohr- und Schlauchleitungen oder Oberflächenversiegelungen beschädigt werden. Dies kann zu Hautreizungen und Augenverletzungen führen.

- Decken Sie keinerlei Belüftungsöffnungen des Kühlschranks ab.
- Elektrische Geräte dürfen nur von autorisierten Fachkräften repariert werden. Reparaturen durch weniger kompetente Personen können erhebliche Gefährdungen des Anwenders verursachen.
- Sollten Fehler oder Probleme während der Wartung oder Reparaturarbeiten auftreten, so trennen Sie den Kühlschrank von der Stromversorgung, indem Sie die entsprechende Sicherung abschalten oder den Netzstecker ziehen.
- Ziehen Sie niemals am Netzkabel – ziehen Sie direkt am Stecker.
- Lagern Sie hochprozentige alkoholische Getränke gut verschlossen und aufrecht.
- Bewahren Sie niemals Sprühdosen mit brennbaren und explosiven Substanzen im Kühlschrank auf.
- Nutzen Sie keine mechanischen oder anderen Hilfsmittel, um das Gerät abzutauen – es sei denn, solche Hilfsmittel werden ausdrücklich vom Hersteller empfohlen.
- Dieses Produkt darf nicht von Personen (einschließlich Kindern) mit eingeschränkten physischen, sensorischen oder geistigen Fähigkeiten bedient werden, sofern sie nicht durch eine Person, die für ihre Sicherheit verantwortlich ist, in der Bedienung des Produktes angeleitet werden.
- Nehmen Sie einen beschädigten Kühlschrank nicht in Betrieb. Wenden Sie sich bei jeglichen Zweifeln an einen Kundendienstmitarbeiter.
- Die elektrische Sicherheit des Gerätes ist nur dann gewährleistet, wenn das hausinterne Erdungssystem den zutreffenden Normen entspricht.
- Setzen Sie das Gerät keinem Regen, Schnee, direktem Sonnenlicht oder Wind aus; dies kann die elektrische Sicherheit gefährden.
- Wenden Sie sich zur Vermeidung von Gefahren an den autorisierten Kundendienst, falls das Netzkabel beschädigt ist.
- Stecken Sie während der Installation niemals den Netzstecker ein. Andernfalls kann es zu schweren bis tödlichen Verletzungen kommen.
- Dieser Kühlschrank dient nur der Aufbewahrung von Lebensmitteln. Für andere Zwecke sollte er nicht verwendet werden.
- Das Etikett mit den technischen Daten befindet sich an der linken Innenwand des Kühlschranks.
- Schließen Sie Ihren Kühlschrank niemals an energiesparende Systeme an; dies kann den Kühlschrank beschädigen.
- Falls sich ein blaues Licht am Kühlschrank befindet, blicken Sie nicht längere Zeit mit bloßem Augen oder optischen Werkzeugen hinein.
- Bei manuell gesteuerten Kühlschränken warten Sie mindestens 5 Minuten, bevor Sie den Kühlschrank nach einem Stromausfall wieder einschalten.
- Falls Sie das Gerät an einen anderen Besitzer weitergeben, vergessen Sie nicht, die Bedienungsanleitung ebenfalls auszuhändigen.

- Achten Sie darauf, dass das Netzkabel beim Transport des Kühlschranks nicht beschädigt wird. Übermäßiges Biegen des Kabels birgt Brandgefahr. Platzieren Sie keine schweren Gegenstände auf dem Netzkabel.
- Berühren Sie den Netzstecker niemals mit feuchten oder gar nassen Händen.



- Schließen Sie den Kühlschrank nicht an lose Steckdosen an.
- Sprühen Sie aus Sicherheitsgründen niemals Wasser auf die Innen- und Außenflächen des Gerätes.
- Sprühen Sie keine Substanzen mit brennbaren Gasen, wie z. B. Propangas, in die Nähe des Kühlschranks; andernfalls bestehen Brand- und Explosionsgefahr.
- Stellen Sie keine mit Wasser gefüllten Gegenstände auf den Kühlschrank; dies birgt Brand- und Stromschlaggefahr.
- Überladen Sie das Gerät nicht mit Lebensmitteln. Wenn das Gerät überladen ist, können beim Öffnen der Kühlschranktür Lebensmittel herausfallen und Verletzungen verursachen.

- Stellen Sie keinesfalls Gegenstände auf den Kühlschrank; sie könnten beim Öffnen oder Schließen der Kühlschranktür herunterfallen.
- Materialien wie beispielsweise Impfstoffe, wärmeempfindliche Arznei, wissenschaftliche Proben usw. sollten nicht im Kühlschrank aufbewahrt werden, da sie bei exakt festgelegten Temperaturen gelagert werden müssen.
- Trennen Sie den Kühlschrank vom Stromnetz, wenn er längere Zeit nicht benutzt wird. Ein mögliches Problem im Netzkabel kann einen Brand auslösen.
- Die Steckerkontakte sollten regelmäßig mit einem trockenen Tuch gereinigt werden; andernfalls besteht Brandgefahr.
- Wenn die höhenverstellbaren Füße nicht sicher auf dem Boden stehen, kann sich der Kühlschrank bewegen. Die angemessene Sicherung der höhenverstellbaren Füße am Boden kann eine Bewegung des Kühlschranks verhindern.
- Halten Sie den Kühlschrank beim Tragen nicht am Türgriff. Andernfalls könnte er abbrechen.
- Wenn Sie Ihr Produkt neben einem anderen Kühl- oder Gefrierschrank aufstellen möchten, sollte der Abstand zwischen beiden Geräten mindestens 8 cm betragen. Andernfalls können die benachbarten Seitenwände feucht werden.

Bei Geräten mit Wasserspender:

Der Wasserdruck sollte zwischen 1 und 8 bar liegen.

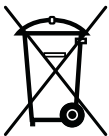
- Nur Trinkwasser verwenden.

Kinder – Sicherheit

- Bei abschließbaren Türen bewahren Sie den Schlüssel außerhalb der Reichweite von Kindern auf.
- Achten Sie darauf, dass Kinder nicht mit dem Produkt spielen.

Konformität mit der WEEE-Richtlinie zur Entsorgung von Altgeräten

Dieses Produkt enthält keine der in der vom türkischen Ministerium für Umwelt und Städteplanung ausgestellten „Richtlinie zur Steuerung von elektrischen und elektronischen Altgeräten“ beschriebenen gefährlichen oder verbotenen Materialien. Übereinstimmung mit WEEE-Richtlinie.



Dieses Gerät wurde mit hochwertigen Materialien hergestellt, die wiederverwendet und recycelt werden können.

Entsorgen Sie das Gerät am Ende seiner Einsatzzeit daher nicht mit dem regulären Hausmüll. Bringen Sie das Gerät zu einer Sammelstelle zum Recycling von elektrischen und elektronischen Geräten. Ihre Stadtverwaltung informiert Sie gerne über Sammelstellen in Ihrer Nähe. Durch das Recycling von Altgeräten leisten Sie einen wichtigen Beitrag zum Umweltschutz und zum Erhalt natürlicher Ressourcen. Zur Sicherheit von Kindern: Schneiden Sie vor der Entsorgung des Produktes das

Netzkabel ab und setzen Sie den Sperrmechanismus der Tür außer Kraft (sofern vorhanden).

Hinweise zur Verpackung

Die Verpackungsmaterialien des Gerätes wurden gemäß nationalen Umweltschutzbestimmungen aus recyclingfähigen Materialien hergestellt. Entsorgen Sie Verpackungsmaterialien nicht mit dem regulären Hausmüll oder anderen Abfällen. Bringen Sie Verpackungsmaterialien zu geeigneten Sammelstellen; Ihre Stadtverwaltung berät Sie gern.

Nicht vergessen!

Recycelte Materialien leisten einen wichtigen Beitrag zu einer schönen und gesunden Umwelt.

Wenn Sie zur Wiederverwertung von Verpackungsmaterialien beitragen möchten, informieren Sie sich bei Ihren Umweltschutzbehörden oder der Stadtverwaltung, wo entsprechende Sammelstellen zu finden sind.

HCA-Warnung

Falls das Kühlsystem Ihres Produktes R600a enthält:

Dieses Gas ist leicht entflammbar. Achten Sie also darauf, Kühlkreislauf und Leitungen während Betrieb und Transport nicht zu beschädigen. Bei Beschädigungen halten Sie das Produkt von potenziellen Zündquellen (z. B. offenen Flammen) fern und sorgen für eine gute Belüftung des Raumes, in dem das Gerät aufgestellt wurde.

Ignorieren Sie diese Warnung, falls das Kühlsystem Ihres Produktes R134a enthält.

Die Art des im Gerät eingesetzten Gases wird auf dem Typenschild an der linken Innenwand des Kühlschranks angegeben.

Entsorgen Sie das Produkt keinesfalls durch Verbrennen.

Tipps zum Energiesparen

- Halten Sie die Kühlschrankschranktüren nur möglichst kurz geöffnet.
- Geben Sie keine warmen Speisen oder Getränke in den Kühlschrank.
- Überladen Sie den Kühlschrank nicht; die Luft muss frei zirkulieren können.
- Stellen Sie den Kühlschrank nicht im direkten Sonnenlicht oder in der Nähe von Wärmequellen wie Öfen, Spülmaschinen oder Heizkörpern auf. Halten Sie den Kühlschrank mindestens 30 cm von Wärmequellen und mindestens 5 cm von elektrischen Öfen entfernt.
- Achten Sie darauf, Ihre Lebensmittel in verschlossenen Behältern aufzubewahren.
- Bei Geräten mit Tiefkühlbereich: Sie können noch mehr Lebensmittel einlagern, wenn Sie die Ablage oder Schublade aus dem Tiefkühlbereich herausnehmen. Der für Ihren Kühlschrank angegebene Energieverbrauch wurde nach dem Entfernen der Ablage oder Schublade und bei maximaler Beladung bestimmt. Ansonsten ist es Ihnen freigestellt, die Ablage oder Schublade zu verwenden.
- Das Auftauen von gefrorenen Lebensmitteln im Kühlbereich ist energiesparend und bewahrt die Qualität der Lebensmittel.

3 Installation

⚠ Bitte beachten Sie, dass der Hersteller nicht haftet, wenn Sie sich nicht an die Informationen und Anweisungen der Bedienungsanleitung halten.

Was Sie bei einem weiteren Transport Ihres Kühlschranks beachten müssen

1. Der Kühlschrank muss vor dem Transport geleert und gesäubert werden.
2. Befestigen und sichern Sie Ablagen, Zubehör, Gemüsefach, etc. mit Klebeband, bevor Sie das Gerät neu verpacken.
3. Die Verpackung muss mit kräftigem Klebeband und stabilen Seilen gesichert, die auf der Verpackung aufgedruckten Transporthinweise müssen beachtet werden.
2. Reinigen Sie das Innere des Kühlschranks wie im Abschnitt „Wartung und Reinigung“ beschrieben.
3. Stecken Sie den Netzstecker des Kühlschranks in eine Steckdose. Wenn die Kühlbereichstür geöffnet wird, schaltet sich das Licht im Inneren ein.
4. Sie hören ein Geräusch, wenn sich der Kompressor einschaltet. Die Flüssigkeiten und Gase im Kühlsystem können auch leichte Geräusche erzeugen, wenn der Kompressor nicht läuft. Dies ist völlig normal.
5. Die Vorderkanten des Kühlgerätes können sich warm anfühlen. Dies ist normal. Diese Bereiche wärmen sich etwas auf, damit sich kein Kondenswasser bildet.

Vergessen Sie nicht...

Jeder wiederverwendete Artikel stellt eine unverzichtbare Hilfe für unsere Natur und unsere Ressourcen dar.

Wenn Sie zur Wiederverwertung von Verpackungsmaterialien beitragen möchten, können Sie sich bei Umweltschutzvereinigungen und Ihren Behörden vor Ort informieren.

Bevor Sie Ihren Kühlschrank einschalten

Bevor Sie Ihren Kühlschrank in Betrieb nehmen, beachten Sie bitte Folgendes:

1. Ist der Innenraum des Kühlschranks trocken, kann die Luft frei an der Rückseite zirkulieren?

Elektrischer Anschluss

Schließen Sie das Gerät an eine geerdete (Schuko-) Steckdose an. Diese Steckdose muss mit einer passenden Sicherung abgesichert werden.

Wichtig:

- Der Anschluss muss gemäß lokaler Vorschriften erfolgen.
- Der Netzstecker muss nach der Installation frei zugänglich bleiben.
- Die angegebene Spannung muss mit Ihrer Netzspannung übereinstimmen.
- Zum Anschluss dürfen keine Verlängerungskabel oder Mehrfachsteckdosen verwendet werden.

⚠ Ein beschädigtes Netzkabel muss unverzüglich durch einen qualifizierten Elektriker ausgetauscht werden.

⚠ Das Gerät darf vor Abschluss der Reparaturen nicht mehr betrieben werden! Es besteht Stromschlaggefahr!

Verpackungsmaterialien entsorgen

Das Verpackungsmaterial kann eine Gefahr für Kinder darstellen. Halten Sie Verpackungsmaterialien von Kindern fern oder entsorgen Sie das Verpackungsmaterial gemäß den gültigen Entsorgungsbestimmungen. Entsorgen Sie Verpackungsmaterialien nicht mit dem regulären Hausmüll.

Die Verpackung Ihres Gerätes wurde aus recyclingfähigen Materialien hergestellt.

Altgeräte entsorgen

Entsorgen Sie Altgeräte auf umweltfreundliche Weise.

- Bei Fragen zur richtigen Entsorgung wenden Sie sich bitte an Ihren Händler, an eine Sammelstelle oder an Ihre Stadtverwaltung.

Bevor Sie das Gerät entsorgen, schneiden Sie den Netzstecker ab und machen die Türverschlüsse (sofern vorhanden) unbrauchbar, damit Kinder nicht in Gefahr gebracht werden.

Aufstellung und Installation

⚠ Falls die Tür des Raumes, in dem der Kühlschrank aufgestellt werden soll, nicht breit genug ist, wenden Sie sich an den autorisierten Kundendienst, lassen die Kühlschranktüren demontieren und befördern das Gerät seitlich durch die Tür.

1. Stellen Sie Ihren Kühlschrank an einer gut erreichbaren Stelle auf.

2. Platzieren Sie den Kühlschrank nicht in der Nähe von Wärmequellen oder dort, wo er Feuchtigkeit oder direktem Sonnenlicht ausgesetzt ist.

3. Damit das Gerät richtig arbeiten kann, müssen Sie ausreichend Platz um das Gerät herum freilassen, damit eine ordentliche Belüftung gewährleistet ist.

Wenn Sie den Kühlschrank in einer Nische aufstellen, müssen Sie einen Abstand von mindestens 5 cm zur Decke und 5 cm zu den Wänden einhalten.

Wenn Sie das Gerät auf einem Teppich oder Teppichboden aufstellen, müssen Sie einen Abstand von mindestens 2,5 cm zum Boden einhalten.

4. Stellen Sie Ihren Kühlschrank auf einem ebenen Untergrund auf, damit er nicht wackelt.

5. Stellen Sie den Kühlschrank nicht an Stellen auf, an denen Temperaturen von weniger als 10 °C herrschen.

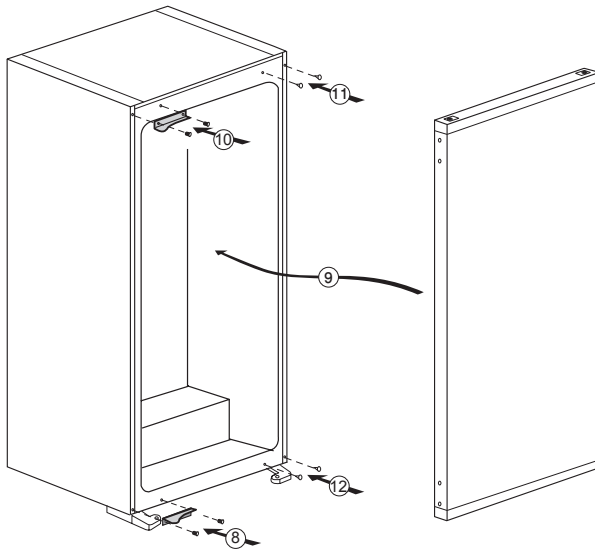
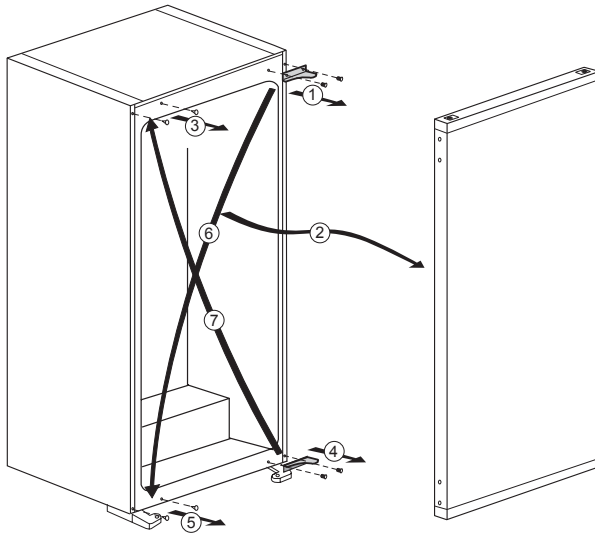
Austausch der Innenbeleuchtung

Die Innenbeleuchtung Ihres Kühlschranks sollte

ausschließlich vom autorisierten Kundendienst ausgetauscht werden. Die Glühbirnen für dieses Haushaltsgerät sind für Beleuchtungszwecke nicht geeignet. Die beabsichtigte Aufgabe dieser Lampe ist es den Benutzer zu ermöglichen die Platzierung der Lebensmittel in den Kühlschrank / Eiskühltruhe sicher und bequem vorzunehmen.

Die in diesem Gerät verwendeten Lampen müssen extremen physikalischen Bedingungen, wie z. B. Temperaturen von -20°C, standhalten.

Türanschlag umkehren

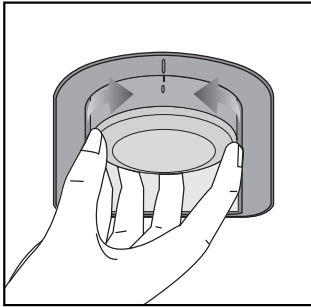


4 Vorbereitung

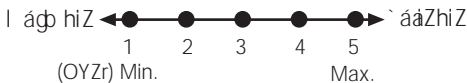
- i** Ihr Kühlschrank sollte mindestens 30 cm von Hitzequellen wie Kochstellen, Öfen, Heizungen, Herden und ähnlichen Einrichtungen aufgestellt werden. Halten Sie mindestens 5 cm Abstand zu Elektroöfen ein, vermeiden Sie die Aufstellung im direkten Sonnenlicht.
- i** Die Zimmertemperatur des Raumes, in dem der Kühlschrank aufgestellt wird, sollte mindestens 10 °C betragen. Im Hinblick auf den Wirkungsgrad ist der Betrieb des Kühlschranks bei geringerer Umgebungstemperatur nicht ratsam.
- i** Sorgen Sie dafür, dass das Innere Ihres Kühlschranks gründlich gereinigt wird.
- i** Falls zwei Kühlschränke nebeneinander aufgestellt werden sollen, achten Sie darauf, dass sie mindestens 2 cm voneinander entfernt platziert werden.
- i** Wenn Sie den Kühlschrank zum ersten Mal in Betrieb nehmen, halten Sie sich bitte an die folgenden Anweisungen für die ersten sechs Betriebsstunden.
 - Die Kühlschranktür sollte nicht zu häufig geöffnet werden.
 - Der Kühlschrank muss zunächst vollständig leer arbeiten.
 - Ziehen Sie nicht den Netzstecker. Falls der Strom ausfallen sollte, beachten Sie die Warnhinweise im Abschnitt „Empfehlungen zur Problemlösung“.
- i** Originalverpackung und Schaumstoffmaterialien sollten zum zukünftigen Transport des Gerätes aufbewahrt werden.

5 Nutzung des Kühlschranks

Einstellen der Betriebstemperatur



Die Betriebstemperatur wird über die Temperatursteuerung reguliert.



1 = Schwächste Kühlung (wärmste Einstellung)

5 = Stärkste Kühlung (kälteste Einstellung)

(Oder)

Min. = Schwächste Kühlung

(wärmste Einstellung)

Max. = Stärkste Kühlung

(kälteste Einstellung)

Die Durchschnittstemperatur im Inneren des Kühlschranks sollte bei etwa +5 °C liegen.

Bitte wählen Sie die der gewünschten Temperatur entsprechende Einstellung.

Bitte beachten Sie, dass im Kühlbereich unterschiedliche Temperaturen herrschen.

Der kälteste Bereich befindet sich unmittelbar über dem Gemüsefach. Die Innentemperatur hängt auch von der Umgebungstemperatur ab,

außerdem davon, wie oft die Tür geöffnet wird und wie viel Lebensmittel im Inneren gelagert werden.

Beim häufigen Öffnen der Tür steigt die Innentemperatur an.

Aus diesem Grund empfehlen wir, die Tür möglichst schnell wieder zu schließen.

Innenfächer verwenden

Bewegliche Ablagen: Den Abstand dieser Ablagen können Sie nach Bedarf anpassen.

Gemüsefach: Dieses Fach eignet sich zur längeren Lagerung von Gemüse und Früchten.

Flaschenablage: Diese Ablagen nutzen Sie für Flaschen, Gläser und Dosen.

Kühlen

Lagern von Lebensmitteln

Der Kühlbereich ist für die kurzfristige Lagerung von frischen Lebensmitteln und Getränken vorgesehen.

Lagern Sie Milchprodukte im dafür vorgesehenen Bereich des Kühlschranks.

Flaschen können Sie im Flaschenhalter oder in der Flaschenablage der Tür aufbewahren.

Rohes Fleisch geben Sie am besten in einen Polyethylen-Beutel (PE) und lagern es im untersten Bereich des Kühlschranks.

Lassen Sie heiße Speisen und Getränke immer erst auf Raumtemperatur abkühlen, bevor Sie diese in den Kühlschrank stellen.

- Achtung

Lagern Sie hochprozentigen Alkohol nur aufrecht stehend und fest verschlossen.

- Achtung

Lagern Sie keine explosiven

Substanzen oder Behälter mit brennbaren Treibgasen (Sprühsahne, Sprühdosen usw. im Kühlgerät. Es besteht Explosionsgefahr.

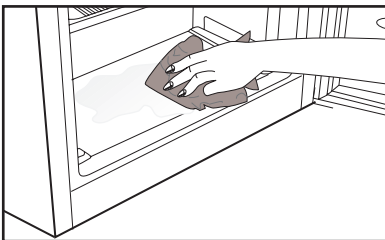
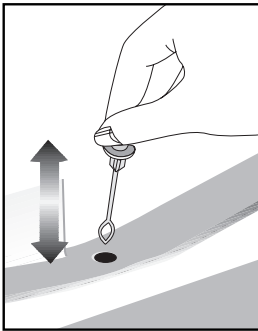
Abtauen

Der Kühlbereich taut automatisch ab. Das Tauwasser fließt durch den Abflusskanal in einen Sammelbehälter an der Rückseite des Gerätes.

Beim Abtauen bilden sich durch Verdunstung Wassertröpfchen an der Rückwand des Kühlschranks.

Falls nicht alle Tropfen nach unten ablaufen, können sie nach dem Abtauen wieder gefrieren. Entfernen Sie diese Rückstände mit einem mit warmem Wasser getränkten Tuch, niemals mit harten oder gar scharfen Gegenständen.

Kontrollieren Sie den Tauwasserfluss von Zeit zu Zeit. Dieser kann gelegentlich zum Stocken kommen.



Gerät stoppen

Bei Thermostaten mit 0-Position:

- Ihr Gerät stoppt, wenn Sie den Thermostatknopf in die 0-Position drehen. Das Gerät läuft erst dann wieder an, wenn Sie den Thermostatknopf wieder auf 1 oder eine höhere Position einstellen.

Bei Thermostaten mit „min“-Position:

- Bitte ziehen Sie zum Abschalten den Netzstecker.

6 **Wartung und Reinigung**

- ⚠ Verwenden Sie zu Reinigungszwecken niemals Benzin oder ähnliche Substanzen.
- ⚠ Wir empfehlen, vor dem Reinigen den Netzstecker zu ziehen.
- ℹ Verwenden Sie zur Reinigung niemals scharfe Gegenstände, Seife, Haushaltsreiniger, Waschmittel oder Wachspolituren.
- ℹ Reinigen Sie das Gehäuse des Gerätes mit lauwarmem Wasser, wischen Sie die Flächen danach trocken.
- ⚠ Zur Reinigung des Innenraums verwenden Sie ein feuchtes Tuch, das Sie in eine Lösung aus 1 Teelöffel Natron und einem halben Liter Wasser getaucht und ausgewrungen haben. Nach dem Reinigen wischen Sie den Innenraum trocken.
- ⚠ Achten Sie darauf, dass kein Wasser in das Lampengehäuse oder andere elektrische Komponenten eindringt.
- ⚠ Wenn Ihr Kühlgerät längere Zeit nicht benutzt wird, ziehen Sie den Netzstecker, nehmen alle Lebensmittel heraus, reinigen das Gerät und lassen die Türe geöffnet.
- ℹ Kontrollieren Sie die Türdichtungen regelmäßig, um sicherzustellen, dass diese sauber und frei von Speiseresten sind.
- ℹ Zum Entfernen einer Türablage räumen Sie sämtliche Gegenständen aus der Ablage und schieben diese dann nach oben heraus.

- ℹ Verwenden Sie zur Reinigung der Außenflächen und Chrombeschichteten Produktteile niemals Reinigungsmittel oder Wasser, die/das Chlor enthält. Chlor lässt Metalloberflächen korrodieren.

Schutz der Kunststoffflächen

- ℹ Geben Sie keine Öle oder stark fetthaltige Speisen offen in Ihren Kühlschrank / Gefrierschrank – dadurch können die Kunststoffflächen angegriffen werden. Sollten die Plastikoberflächen einmal mit Öl in Berührung kommen, so reinigen Sie die entsprechenden Stellen umgehend mit warmem Wasser.

7 Empfehlungen zur Problemlösung

Bitte arbeiten Sie diese Liste durch, bevor Sie den Kundendienst anrufen. Das kann Ihnen Zeit und Geld sparen. In der Liste finden Sie häufiger auftretende Probleme, die nicht auf Verarbeitungs- oder Materialfehler zurückzuführen sind. Nicht alle hier beschriebenen Funktionen sind bei jedem Modell verfügbar.

Der Kühlschrank arbeitet nicht.

- Ist der Kühlschrank richtig angeschlossen? Stecken Sie den Netzstecker in die Steckdose.
- Ist die entsprechende Haussicherung herausgesprungen oder durchgebrannt? Überprüfen Sie die Sicherung.

Kondensation an den Seitenwänden des Kühlbereiches. (Multizone, Kühlkontrolle und FlexiZone)

- Sehr geringe Umgebungstemperaturen. Häufiges Öffnen und Schließen der Tür. Sehr feuchte Umgebung. Offene Lagerung von feuchten Lebensmitteln. Tür nicht richtig geschlossen. Kühlere Thermostateinstellung wählen.
- Türen kürzer geöffnet halten oder seltener öffnen.
- Offene Behälter abdecken oder mit einem geeigneten Material einwickeln.
- Kondensation mit einem trockenen Tuch entfernen und überprüfen, ob diese erneut auftritt.

Der Kompressor läuft nicht

- Eine Schutzschaltung stoppt den Kompressor bei kurzzeitigen Unterbrechungen der Stromversorgung und wenn das Gerät zu oft und schnell ein- und ausgeschaltet wird, da der Druck des Kühlmittels eine Weile lang ausgeglichen werden muss. Ihr Kühlschrank beginnt nach etwa sechs Minuten wieder zu arbeiten. Bitte wenden Sie sich an den Kundendienst, falls Ihr Kühlschrank nach Ablauf dieser Zeit nicht wieder zu arbeiten beginnt.
- Der Kühlschrank taut ab. Dies ist bei einem vollautomatisch abtauenden Kühlschrank völlig normal. Das Gerät taut von Zeit zu Zeit ab.
- Der Netzstecker ist nicht eingesteckt. Überprüfen Sie, ob das Gerät richtig angeschlossen ist.
- Stimmen die Temperatureinstellungen?
- Eventuell ist der Strom ausgefallen.

Der Kühlschrank arbeitet sehr intensiv oder über eine sehr lange Zeit.

- Ihr neues Gerät ist vielleicht etwas breiter als sein Vorgänger. Dies ist völlig normal. Große Kühlgeräte arbeiten oft längere Zeit.
- Die Umgebungstemperatur ist eventuell sehr hoch. Dies ist völlig normal.
- Das Kühlgerät wurde möglicherweise erst vor kurzem in Betrieb genommen oder mit Lebensmitteln gefüllt. Es kann einige Stunden länger dauern, bis der Kühlschrank seine Arbeitstemperatur erreicht hat.
- Kurz zuvor wurden größere Mengen warmer Speisen im Kühlschrank eingelagert. Heiße Speisen führen dazu, dass der Kühlschrank etwas länger arbeiten muss, bis die geeignete Temperatur zur sicheren Lagerung erreicht ist.
- Türen wurden häufig geöffnet oder längere Zeit nicht richtig geschlossen. Der Kühlschrank muss länger arbeiten, weil warme Luft in den Innenraum eingedrungen ist. Öffnen Sie die Türen möglichst selten.
- Die Tür des Kühl- oder Tiefkühlbereichs war nur angelehnt. Vergewissern Sie sich, dass die Türen richtig geschlossen wurden.
- Die Kühlschranktemperatur ist sehr niedrig eingestellt. Stellen Sie die Kühlschranktemperatur höher ein und warten Sie, bis die gewünschte Temperatur erreicht ist.
- Die Türdichtungen von Kühl- oder Gefrierbereich sind verschmutzt, verschlissen, beschädigt oder sitzen nicht richtig. Reinigen oder ersetzen Sie die Dichtung. Beschädigte oder defekte Dichtungen führen dazu, dass der Kühlschrank länger arbeiten muss, um die Temperatur halten zu können.

Die Temperatur im Tiefkühlbereich ist sehr niedrig, während die Temperatur im Kühlbereich normal ist.

- Die Tiefkühltemperatur ist sehr niedrig eingestellt. Stellen Sie die Gefrierfachtemperatur wärmer ein und prüfen Sie.

Die Temperatur im Kühlbereich ist sehr niedrig, während die Temperatur im Tiefkühlbereich normal ist.

- Die Kühltemperatur ist eventuell sehr niedrig eingestellt. Stellen Sie die Kühlbereichtemperatur wärmer ein und prüfen Sie.

Im Kühlbereich gelagerte Lebensmittel frieren ein.

- Die Kühltemperatur ist eventuell sehr niedrig eingestellt. Stellen Sie die Kühlbereichtemperatur wärmer ein und prüfen Sie.

Die Temperatur im Kühl- oder Tiefkühlbereich ist sehr hoch.

- Die Temperatur des Kühlbereichs ist eventuell sehr hoch eingestellt. Die Einstellung des Kühlbereichs beeinflusst die Temperatur im Tiefkühlbereich. Stellen Sie den Kühl- oder Tiefkühlbereich auf die gewünschte Temperatur ein.
- Türen wurden häufig geöffnet oder längere Zeit nicht richtig geschlossen; weniger häufig öffnen.
- Die Tür wurde eventuell nicht richtig geschlossen; Tür richtig schließen.
- Kurz zuvor wurden größere Mengen warmer Speisen im Kühlschrank eingelagert. Warten Sie, bis der Kühl- oder Tiefkühlbereich die gewünschte Temperatur erreicht.
- Der Kühlschrank war kurz zuvor von der Stromversorgung getrennt. Ihr Kühlschrank braucht einige Zeit, um sich auf die gewünschte Temperatur abzukühlen.

Das Betriebsgeräusch nimmt zu, wenn der Kühlschrank arbeitet.

- Das Leistungsverhalten des Kühlgerätes kann sich je nach Umgebungstemperatur ändern. Dies ist völlig normal und keine Fehlfunktion.

Vibrationen oder Betriebsgeräusche.

- Der Boden ist nicht eben oder nicht fest. Der Kühlschrank wackelt, wenn er etwas bewegt wird. Achten Sie darauf, dass der Boden eben ist und das Gewicht des Kühlschranks problemlos tragen kann.
- Das Geräusch kann durch auf dem Kühlschrank abgestellte Gegenstände entstehen. Nehmen Sie abgestellte Gegenstände vom Kühlschrank herunter.

Fließ- oder Spritzgeräusche sind zu hören.

- Aus technischen Gründen bewegen sich Flüssigkeiten und Gase innerhalb des Gerätes. Dies ist völlig normal und keine Fehlfunktion.

Windähnliche Geräusche sind zu hören.

- Zum gleichmäßigen Kühlen werden Ventilatoren eingesetzt. Dies ist völlig normal und keine Fehlfunktion.

Kondensation an den Kühlschrankinnenflächen.

- Bei heißen und feuchten Wetterlagen tritt verstärkt Eisbildung und Kondensation auf. Dies ist völlig normal und keine Fehlfunktion.
- Die Türen wurden eventuell nicht richtig geschlossen; Türen komplett schließen.
- Türen wurden häufig geöffnet oder längere Zeit nicht richtig geschlossen; weniger häufig öffnen.

Feuchtigkeit sammelt sich an der Außenseite des Kühlschranks oder an den Türen.

- Eventuell herrscht hohe Luftfeuchtigkeit; dies ist je nach Wetterlage völlig normal. Die Kondensation verschwindet, sobald die Feuchtigkeit abnimmt.

Unangenehmer Geruch im Kühlschrankinnenraum.

- Das Innere des Kühlschranks muss gereinigt werden. Reinigen Sie das Innere des Kühlschranks mit einem Schwamm, den Sie mit lauwarmem oder kohlenstoffhaltigem Wasser angefeuchtet haben.
- Bestimmte Behälter oder Verpackungsmaterialien verursachen den Geruch. Verwenden Sie andere Behälter oder Verpackungsmaterial einer anderen Marke.

Die Tür wurde nicht richtig geschlossen.

- Lebensmittelpackungen verhindern eventuell das Schließen der Tür. Entfernen Sie die Verpackungen, welche die Tür blockieren.
- Der Kühlschrank steht nicht mit sämtlichen Füßen fest auf dem Boden und schaukelt bei kleinen Bewegungen. Stellen Sie die Höheneinstellschrauben ein.
- Der Boden ist nicht eben oder nicht stabil genug. Achten Sie darauf, dass der Boden eben ist und das Gewicht des Kühlschranks problemlos tragen kann.

Das Gemüsefach klemmt.

- Die Lebensmittel berühren eventuell den oberen Teil der Schublade. Ordnen Sie die Lebensmittel in der Schublade anders an.

Veillez d'abord lire la notice d'utilisation !

Chère cliente, cher client,

Nous espérons que votre produit, qui a été fabriqué dans des usines modernes et vérifié au terme des procédures de contrôle de qualité les plus méticuleuses, vous rendra satisfaction.

Pour cette raison, nous vous conseillons de lire attentivement tout le manuel d'utilisation de votre produit avant de vous en servir, et de le conserver ensuite pour une utilisation ultérieure.

Le présent manuel

- Vous aidera à utiliser votre produit avec rapidité et sécurité.
 - Lisez le manuel avant d'installer et de faire fonctionner votre produit.
 - Respectez les instructions, notamment celles relatives à la sécurité.
 - Conservez ce manuel dans un endroit facilement accessible car vous pouvez en avoir besoin ultérieurement.
 - En plus, lisez également les autres documents fournis avec votre produit.
- Veillez noter que ce manuel peut également être valide pour d'autres modèles.

Symboles et descriptions

Vous retrouverez les symboles suivants dans le présent manuel :




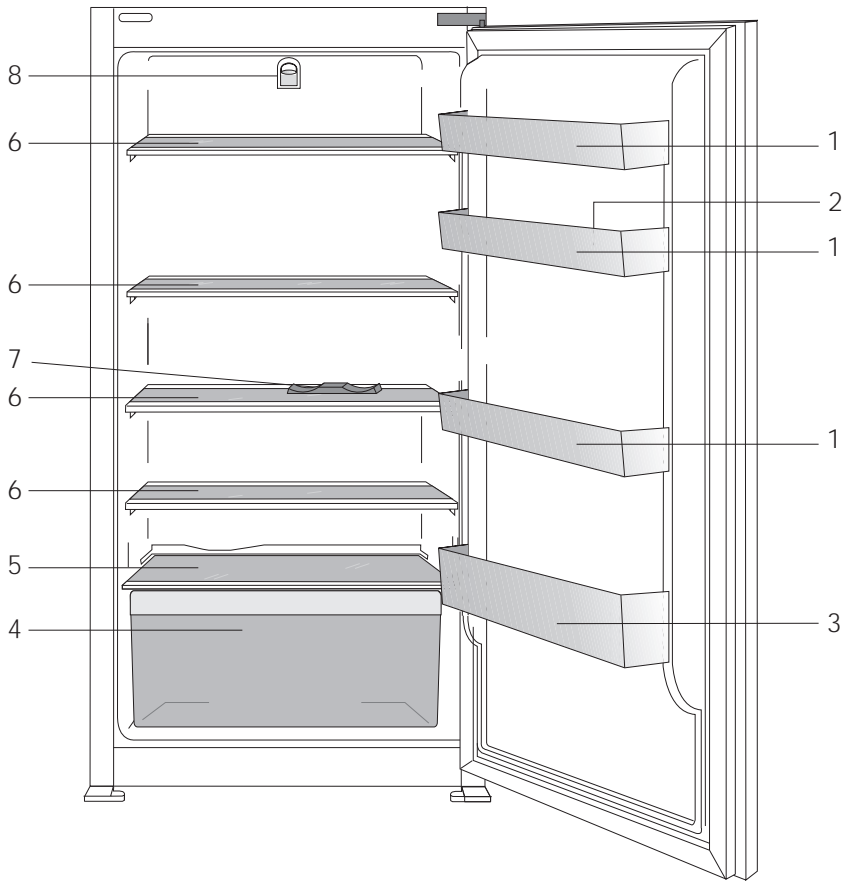
-  Informations importantes ou astuces.
-  Avertissement relatif aux conditions dangereuses pour la vie et la propriété.
-  Avertissement relatif à la tension électrique.

TABLE DES MATIÈRES

1 Votre réfrigérateur	3	4 Préparation	11
2 Précautions de sécurité importantes	4	5 Utilisation du réfrigérateur	12
Utilisation préconisée.....	4	Réglage de la température de fonctionnement	12
Sécurité générale.....	4	La température de fonctionnement est réglée à l'aide de la commande de température.....	12
Pour les appareils dotés d'une fontaine à eau reliée à l'eau courante.....	6	Utilisation des compartiments intérieurs.....	12
Sécurité enfants.....	6	Réfrigération	12
Conformité avec la réglementation DEEE et mise au rebut des déchets...6		Décongélation	13
Informations relatives à l'emballage...7		Interruption du produit	13
Avertissement sur l'usage de fluides frigorigènes	7		
Mesures d'économie d'énergie.....7		6 Entretien et nettoyage	14
3 Installation	8	Protection des surfaces en plastique.	14
Éléments à prendre en considération lors du déménagement de votre réfrigérateur	8	7 Solutions recommandées aux problèmes	15
Avant de mettre votre réfrigérateur en marche,	8		
Branchement électrique.....	8		
Mise au rebut de l'emballage	9		
Mise au rebut de votre ancien réfrigérateur	9		
Disposition et Installation	9		
Remplacement de l'ampoule intérieure	9		
Réversibilité des portes.....	10		

1 Votre réfrigérateur



- | | |
|--------------------------------|-------------------------------------|
| 1. Balconnets réglables | 6. Clayettes en verre |
| 2. Casier à œufs | 7. Porte-bouteille |
| 3. Balconnets range-bouteilles | 8. Ampoule et boîtier de thermostat |
| 4. Bac à légumes | |
| 5. Couvercle du bac à légumes | |

ⓘ Les illustrations présentées dans cette notice d'utilisation sont schématiques et peuvent ne pas correspondre exactement à votre produit. Si des pièces présentées ne sont pas comprises dans le produit que vous avez acheté, elles sont valables pour d'autres modèles.

2 Précautions de sécurité importantes

Veillez examiner les informations suivantes : Le non respect de ces consignes peut entraîner des blessures ou dommages matériels. Sinon, tout engagement lié à la garantie et à la fiabilité du produit devient invalide.

Les pièces détachées d'origine sont disponibles pendant 10 ans, à compter de la date d'achat du produit.

Utilisation préconisée

Ce produit est prévu pour une utilisation

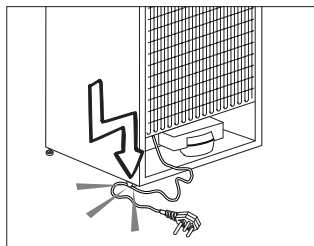
- en intérieur et dans des zones fermées telles que les maisons ;
- dans les environnements de travail fermés, tels que les magasins et les bureaux ;
- dans les lieux d'hébergement fermés, tels que les fermes, hôtels, pensions.
- Il ne doit pas être utilisé en extérieur.

Sécurité générale

- Avant de vous débarrasser de votre appareil, veuillez consulter les autorités locales ou votre revendeur pour connaître le mode opératoire et les organismes de collecte agréés.
- Consultez le service après-vente agréé concernant toutes questions ou problèmes relatifs au réfrigérateur. N'intervenez pas ou ne laissez personne intervenir sur le réfrigérateur sans le communiquer au service après-vente agréé.
- Pour les produits équipés d'un compartiment congélateur : ne mangez pas de cônes de crème glacée ou des glaçons immédiatement après les avoir sortis du compartiment de congélation ! (Cela pourrait provoquer des engelures dans votre bouche).

- Pour les produits équipés d'un compartiment congélateur : ne placez pas de boissons en bouteille ou en cannette dans le compartiment de congélation. Cela peut entraîner leur éclatement.
- Ne touchez pas des produits congelés avec les mains, ils pourraient se coller à celles-ci.
- Débranchez votre réfrigérateur avant de le nettoyer ou de le dégivrer.
- La vapeur et des matériaux de nettoyage pulvérisés ne doivent jamais être utilisés pour les processus de nettoyage ou de dégivrage de votre réfrigérateur. La vapeur pourrait pénétrer dans les pièces électriques et provoquer des courts-circuits ou des électrocutions.
- Ne jamais utiliser les pièces de votre réfrigérateur telles que la porte, comme un support ou une marche.
- N'utilisez pas d'appareils électriques à l'intérieur du réfrigérateur.
- N'endommagez pas les pièces où circule le liquide réfrigérant avec des outils de forage ou coupants. Le liquide réfrigérant qui pourrait s'échapper si les canalisations de gaz de l'évaporateur, les rallonges de tuyau ou les revêtements de surface étaient percés, peut irriter la peau et provoquer des blessures aux yeux.
- Ne pas couvrir ou obstruer les orifices de ventilation du réfrigérateur.
- Les appareils électriques peuvent être réparés seulement par des personnes autorisées. Les réparations réalisées par des personnes ne présentant pas les compétences requises peuvent présenter un risque pour l'utilisateur.

- En cas de dysfonctionnement ou lors d'opérations d'entretien ou de réparation, débranchez l'alimentation électrique du réfrigérateur soit en désactivant le fusible correspondant, soit en débranchant l'appareil.
- Ne tirez pas sur le câble lorsque vous débranchez la prise.
- Placez les boissons alcoolisées verticalement, dans des récipients convenablement fermés.
- Ne conservez jamais des aérosols contenant des substances inflammables et explosives dans le réfrigérateur.
- N'utilisez pas d'outils mécaniques ou autres dispositifs pour accélérer le processus de décongélation autres que ceux qui sont recommandés par le fabricant.
- Ce produit n'est pas conçu pour être utilisé par des personnes (enfants compris) souffrant de déficience physique, sensorielle, mentale, ou inexpérimentées, à moins d'avoir obtenu une autorisation auprès des personnes responsables de leur sécurité.
- Ne faites pas fonctionner un réfrigérateur endommagé. Consultez le service agréé en cas de problème.
- La sécurité électrique du réfrigérateur n'est assurée que si le système de mise à la terre de votre domicile est conforme aux normes en vigueur.
- L'exposition du produit à la pluie, la neige, au soleil ou au vent présente des risques concernant la sécurité électrique.
- Contactez le service agréé quand un câble d'alimentation est endommagé pour éviter tout danger.
- Ne branchez jamais le réfrigérateur à la prise murale au cours de l'installation. Vous vous exposeriez à un risque de mort ou à de blessures graves.
- Ce réfrigérateur est conçu seulement pour conserver des aliments. Par conséquent, il ne doit pas être utilisé à d'autres fins.
- L'étiquette avec les caractéristiques techniques est située sur le mur gauche à l'intérieur du réfrigérateur.
- Ne branchez jamais votre réfrigérateur à des systèmes d'économie d'énergie, cela peut l'endommager.
- S'il y a une Bluelight sur le réfrigérateur, ne la regardez ni avec vos yeux nus, ni avec des outils optiques pendant longtemps.
- Pour les réfrigérateurs contrôlés manuellement, attendez au moins 5 minutes pour allumer le réfrigérateur après une coupure de courant.
- Si cet appareil venait à changer de propriétaire, n'oubliez pas de remettre la présente notice d'utilisation au nouveau bénéficiaire.
- Évitez d'endommager le câble d'alimentation quand vous transportez le réfrigérateur. Tordre le câble peut entraîner un incendie. Ne placez jamais d'objets lourds sur le câble d'alimentation.
- Évitez de toucher à la prise avec des mains mouillées au moment de brancher l'appareil.



- Évitez de brancher le réfrigérateur lorsque la prise de courant électrique a lâché.
- Pour des raisons de sécurité, évitez de pulvériser directement de l'eau sur les parties externes et internes du réfrigérateur. Ouvrez la porte.

- Ne pulvérisez pas de substances contenant des gaz inflammables comme du propane près du réfrigérateur pour éviter tout risque d'incendie et d'explosion.
- Ne placez jamais de récipients contenant de l'eau sur votre réfrigérateur, ils pourraient causer des chocs électriques ou un incendie.
- Évitez de surcharger le réfrigérateur avec une quantité excessive d'aliments. S'il est surchargé, les aliments peuvent tomber, vous blesser et endommager le réfrigérateur quand vous ouvrez la porte.
- Ne placez jamais d'objets au-dessus du réfrigérateur, ils pourraient tomber quand vous ouvrez ou fermez la porte du réfrigérateur.
- Les produits qui nécessitent un contrôle de température précis (vaccin, médicament sensible à la chaleur, matériels scientifiques, etc.) ne doivent pas être conservés dans le réfrigérateur.
- Si le réfrigérateur n'est pas utilisé pendant longtemps, il doit être débranché. Un problème avec le câble d'alimentation pourrait causer un incendie.
- Le bout de la prise électrique doit être nettoyé régulièrement à l'aide d'un chiffon sec, sinon il peut provoquer un incendie.
- Le réfrigérateur peut bouger si ses pieds réglables ne sont pas bien fixés sur le sol. Bien fixer les pieds réglables sur le sol peut empêcher le réfrigérateur de bouger.
- Quand vous transportez le réfrigérateur, ne le tenez pas par la poignée de la porte. Cela peut l'endommager.
- Quand vous devez placer votre produit près d'un autre réfrigérateur ou congélateur, la distance entre les appareils doit être d'au moins 8 cm. Sinon, les murs adjacents peuvent être humidifiés.

Pour les appareils dotés d'une fontaine à eau reliée à l'eau courante

La pression de l'alimentation en eau doit être comprise entre 1 et 8 bars.

- Utilisez uniquement de l'eau potable.

Sécurité enfants

- Si la porte a un verrouillage, la clé doit rester hors de portée des enfants.
- Les enfants doivent être surveillés et empêchés de s'amuser avec le produit.

Conformité avec la réglementation DEEE et mise au rebut des déchets

Ce produit ne contient pas de matériaux dangereux et interdits décrits dans la « Règlementation sur le contrôle des déchets d'équipements électriques et électroniques » publié par le Ministère de l'Environnement et de l'Urbanisme. Conforme avec la réglementation DEEE.



Le présent produit a été fabriqué avec des pièces et du matériel de qualité supérieure susceptibles d'être réutilisés et adaptés au recyclage. Par conséquent, nous vous

conseillons de ne pas le mettre au rebut aux côtés des ordures ménagères à la fin de sa durée de vie. Au contraire, rendez-vous dans un point de collecte pour le recyclage de tout matériel électrique et électronique. Veuillez vous rapprocher des autorités de votre localité pour plus d'informations concernant le point de collecte le plus proche. Aidez-nous à protéger l'environnement et les ressources naturelles en recyclant les produits usagés. Pour la sécurité des enfants, coupez le câble d'alimentation et le mécanisme de verrouillage de la porte, le cas échéant. Ce faisant, vous rendez l'appareil inopérant avant sa mise au rebut.

Informations relatives à l'emballage

Les matériaux d'emballage de cet appareil sont fabriqués à partir de matériaux recyclables, conformément à nos Réglementations Nationales en Environnement. Ne mélangez pas les matériaux d'emballage avec les déchets domestiques ou d'autres déchets. Amenez-les aux points de collecte des matériaux d'emballage, désignés par les autorités locales.

N'oubliez pas...

Pour la préservation de la nature et de notre santé, il est indispensable de recycler les matières.

Si vous voulez contribuer au recyclage des matériaux d'emballage, vous pouvez vous renseigner auprès d'organisations environnementales ou de l'autorité locale proche de votre domicile.

Avertissement sur l'usage de fluides frigorigènes

Si le système de refroidissement de votre appareil contient R600a :

Ce gaz est inflammable. Par conséquent, veuillez prendre garde à ne pas endommager le système de refroidissement et les tuyauteries lors de son utilisation ou de son transport. En cas de dommages, éloignez votre produit de toute source potentielle de flammes susceptible de provoquer l'incendie de l'appareil. De même, placez le produit dans une pièce aérée.

Ne tenez pas compte de cet avertissement si le système de refroidissement de votre appareil contient R134a.

Le type de gaz utilisé dans l'appareil est mentionné sur la plaque signalétique située sur la paroi gauche de l'intérieur du réfrigérateur.

Ne jetez jamais l'appareil au feu pour vous en débarrasser.

Mesures d'économie d'énergie

- Ne laissez pas les portes du réfrigérateur ouvertes pendant une durée prolongée.
- N'introduisez pas de denrées ou de boissons chaudes dans le réfrigérateur.
- Ne surchargez pas le réfrigérateur pour ne pas obstruer pas la circulation d'air à l'intérieur.
- N'installez pas le réfrigérateur à la lumière directe du soleil ou près d'appareil émettant de la chaleur tels qu'un four, un lave-vaisselle ou un radiateur. Maintenez une distance d'au moins 30 cm entre votre réfrigérateur et toute source de chaleur, et à une distance de 5cm d'un four électrique.
- Veillez à conserver vos denrées dans des récipients fermés.
- Pour les produits équipés d'un compartiment congélateur : vous pouvez conserver une quantité maximale d'aliments dans le congélateur quand vous enlevez l'étagère ou le tiroir du congélateur. La consommation d'énergie précisée pour votre réfrigérateur a été déterminée en enlevant l'étagère ou le tiroir du congélateur et avec la charge maximale. Il n'y aucun risque à utiliser une étagère ou un tiroir en fonction des formes et tailles des denrées à congeler.
- La décongélation des aliments dans le compartiment réfrigérateur permet de faire des économies d'énergie et de préserver la qualité des aliments.

3 Installation

⚠ Dans l'hypothèse ou l'information contenue dans ce manuel n'a pas été prise en compte par l'utilisateur, le fabricant ne sera aucunement responsable en cas de problèmes.

Éléments à prendre en considération lors du déménagement de votre réfrigérateur

1. Votre réfrigérateur doit être débranché
2. Avant le transport de votre réfrigérateur, vous devez le vider et le nettoyer. Avant d'emballer votre réfrigérateur, vous devez fixer ses étagères, bac, accessoires, etc, avec du ruban adhésif afin de les protéger contre les chocs.
3. L'emballage doit être solidement attaché avec du ruban adhésif épais ou avec un cordage solide. La réglementation en matière de transport et de marquage de l'emballage doit être strictement respectée.
4. L'emballage et les matériaux de protection d'emballage doivent être conservés pour les éventuels transports ou déplacements à venir.

Avant de mettre votre réfrigérateur en marche,

Vérifiez les points suivants avant de commencer à utiliser votre réfrigérateur

1. Fixez les câbles en plastique. Les câbles en plastique servent à maintenir une distance permettant la circulation de l'air entre le réfrigérateur et le mur.
2. Vous pouvez installer les 2 cales en plastique. Les cales en plastique maintiendront la distance nécessaire entre votre Congélateur /réfrigérateur et le mur pour permettre une bonne circulation de l'air.

3. Nettoyez l'intérieur du réfrigérateur tel qu'indiqué dans la section « Entretien et nettoyage ».

4. Insérez la prise du réfrigérateur dans la prise murale. Lorsque la porte du réfrigérateur est ouverte, la lampe interne du réfrigérateur s'éclaire.

5. Lorsque le compresseur commence à fonctionner, il émettra un son. Le liquide et les gaz intégrés au système du réfrigérateur peuvent également faire du bruit, que le compresseur soit en marche ou non. Ceci est tout à fait normal.

6. Les parties antérieures du réfrigérateur peuvent chauffer. Ce phénomène est normal. Ces zones doivent en principe être chaudes pour éviter tout risque de condensation.

Branchement électrique

Branchez votre réfrigérateur à une prise électrique protégée par un fusible ayant une capacité appropriée.

Important :

- Le branchement doit être conforme aux normes en vigueur sur le territoire national.
- La fiche du câble d'alimentation doit être facilement accessible après installation.
- La sécurité électrique du réfrigérateur n'est assurée que si le système de mise à la terre de votre domicile est conforme aux normes en vigueur.
- La tension indiquée sur l'étiquette située sur la paroi gauche interne de votre produit doit correspondre à celle fournie par votre réseau électrique.
- **Les rallonges et multiprises ne doivent pas être utilisés pour brancher l'appareil.**

⚠ Un câble d'alimentation endommagé doit être remplacé par un électricien qualifié.

⚠ L'appareil ne doit pas être mis en service avant d'être réparé ! Cette précaution permet d'éviter tout risque de choc électrique!

Mise au rebut de l'emballage

Les matériaux d'emballage peuvent être dangereux pour les enfants. Tenez les matériaux d'emballage hors de portée des enfants ou jetez-les conformément aux consignes établies par les autorités locales en matière de déchets. Ne les jetez pas avec les déchets domestiques, déposez-les dans les centres de collecte désignés par les autorités locales.

L'emballage de votre appareil est produit à partir de matériaux recyclables.

Mise au rebut de votre ancien réfrigérateur

Débarrassez-vous de votre ancien réfrigérateur sans nuire à l'environnement.

- Vous pouvez consulter le service après-vente agréé ou le centre chargé de la mise au rebut dans votre municipalité pour en savoir plus sur la mise au rebut de votre produit.

Avant de procéder à la mise au rebut de votre machine, coupez la prise électrique et, le cas échéant, tout verrouillage susceptible de se trouver sur la porte. Rendez-les inopérants afin de ne pas exposer les enfants à d'éventuels dangers.

Disposition et Installation

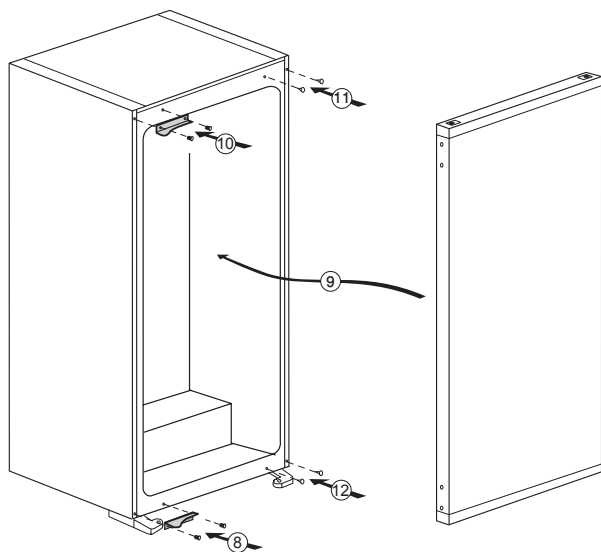
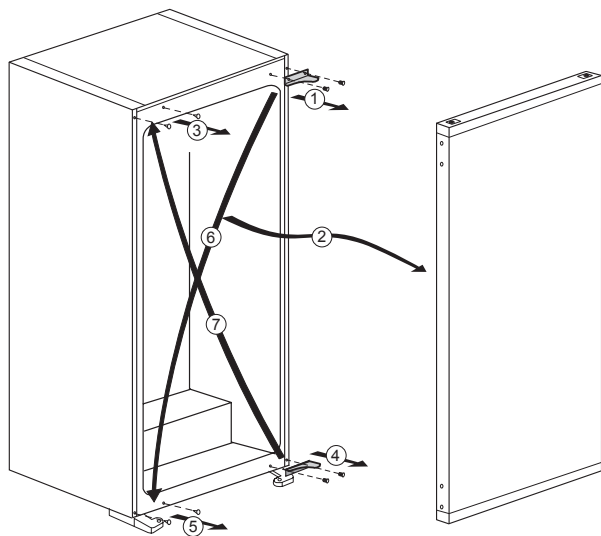
⚠ Si la porte d'entrée de la pièce où sera installé le réfrigérateur n'est pas assez large pour laisser passer le réfrigérateur, appelez le service après-vente qui retirera les portes du réfrigérateur et le fera entrer latéralement dans la pièce.

1. Installez le réfrigérateur dans un emplacement qui permette une utilisation pratique.
2. Maintenez le réfrigérateur éloigné de toutes sources de chaleur, des endroits humides et de la lumière directe du soleil.
3. Une ventilation d'air autour du réfrigérateur doit être aménagée pour obtenir un fonctionnement efficace. Si le réfrigérateur est placé dans un enfoncement du mur, il doit y avoir un espace d'au moins 5 cm avec le plafond et d'au moins 5 cm avec le mur. Ne placez pas l'appareil sur des revêtements tels qu'un tapis ou de la moquette.
4. Placez le réfrigérateur sur une surface plane afin qu'il soit stable.

Remplacement de l'ampoule intérieure

Pour remplacer l'ampoule LED du réfrigérateur, veuillez contacter le service après-vente agréé. L'ampoule (s) utilisé dans cet appareil ne convient pas pour l'éclairage de la cuisine. Le but visé par cette lampe est d'aider à l'utilisateur de placer les aliments dans le réfrigérateur / congélateur d'une manière sûre et confortable. Les voyants utilisés dans cet appareil doivent résister aux conditions physiques extrêmes telles que des températures inférieures à -20°C.

Réversibilité des portes

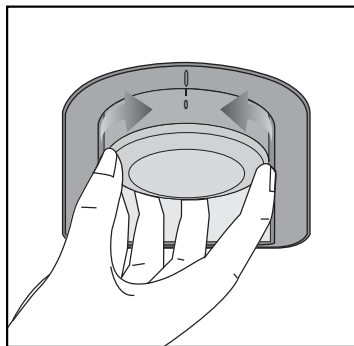


4 Préparation

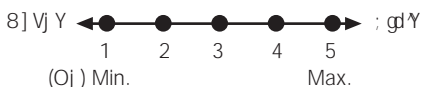
- i** Votre réfrigérateur doit être installé à au moins 30 cm des sources de chaleur telles que les plaques de cuisson, les fours, appareils de chauffage ou cuisinières, et à au moins 5 cm des fours électriques. De même, il ne doit pas être exposé à la lumière directe du soleil.
- i** La température ambiante de la pièce où vous installez le réfrigérateur doit être d'au moins 10°C. Faire fonctionner l'appareil sous des températures inférieures n'est pas recommandé et pourrait nuire à son efficacité.
- i** Veuillez vous assurer que l'intérieur de votre appareil est soigneusement nettoyé.
- i** Si deux réfrigérateurs sont installés côte à côte, ils doivent être séparés par au moins 2 cm.
- i** Lorsque vous faites fonctionner le réfrigérateur pour la première fois, assurez-vous de suivre les instructions suivantes pendant les six premières heures.
 - La porte ne doit pas être ouverte fréquemment.
 - Le réfrigérateur doit être mis en marche à vide, sans denrées à l'intérieur.
 - Ne débranchez pas le réfrigérateur. Si une panne de courant se produit, veuillez vous reporter aux avertissements dans la section « Solutions recommandées aux problèmes ».
- i** L'emballage et les matériaux de protection d'emballage doivent être conservés pour les éventuels transports ou déplacements à venir.

5 Utilisation du réfrigérateur

Réglage de la température de fonctionnement



La température de fonctionnement est réglée à l'aide de la commande de température.



1 = Réglage de réfrigération le plus faible (Réglage le plus chaud)

5 = Réglage de réfrigération le plus fort (Réglage le plus froid)

(Ou)

Min. = Réglage de réfrigération le plus faible

(Réglage le plus chaud)

Min. = Réglage de réfrigération le plus fort

(Réglage le plus froid)

La température médiane à l'intérieur du réfrigérateur doit être proche de +5 °C.

Veillez choisir le réglage en fonction de la température désirée.

Vous remarquerez qu'il y a plusieurs températures différentes dans la zone de réfrigération.

La zone la plus froide est située directement au-dessous du bac à légumes.

La température intérieure est également fonction de la température ambiante, la fréquence d'ouverture de la porte et la quantité de denrées stockées à l'intérieur.

Si la porte est ouverte fréquemment, la température intérieure monte.

Pour cette raison, il est recommandé de refermer la porte aussitôt que possible après utilisation.

Utilisation des compartiments intérieurs

Tablettes mobiles: L'écart entre les étagères peut être réglé si nécessaire.

Bac à légumes: Les fruits et légumes peuvent être conservés dans ce compartiment pendant de longues périodes sans se détériorer.

Clayette range-bouteilles : Les bouteilles, bocaux et les canettes peuvent être placés dans ces étagères.

Réfrigération

Conservation des denrées

Le compartiment réfrigérateur est destiné à la conservation à court terme d'aliments frais et de boissons.

Conservez les produits laitiers dans le compartiment prévu à cet effet dans le réfrigérateur.

Les bouteilles peuvent être stockées sur la clayette support bouteilles ou dans le balconnet range bouteilles de la porte.

La viande crue sera conservée de manière optimale dans un sac en polyéthylène dans le compartiment situé tout en bas du réfrigérateur.

Laissez refroidir les aliments et boissons à la température ambiante avant de les mettre dans le réfrigérateur.

- Attention

Conservez l'alcool à forte concentration debout et bien fermé uniquement.

- Attention

Ne conservez pas de substances explosives ni de récipients à gaz propulseurs inflammables (crème en bombe, bombes aérosols etc.) Un risque d'explosion existe.

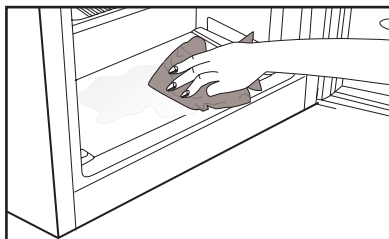
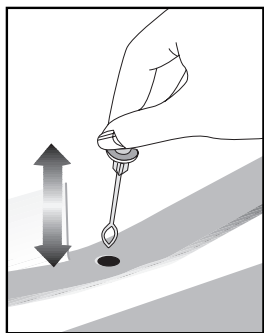
Décongélation

Le compartiment réfrigérateur dégivre automatiquement. L'eau de dégivrage s'écoule dans la voie d'écoulement et se déverse dans le bac de récupération à l'arrière de l'appareil.

Pendant le dégivrage, des gouttelettes d'eau se forment à l'arrière du réfrigérateur à cause de l'évaporateur.

Si toutes les gouttes ne s'écoulent pas, elles peuvent geler de nouveau après le dégivrage. Enlevez-les à l'aide d'un chiffon mouillé à l'eau tiède, et jamais au moyen d'un objet dur ou tranchant.

Vérifiez l'écoulement de l'eau de dégivrage de temps en temps. L'orifice peut parfois s'obstruer.



Interruption du produit

Si la position « 0 » se trouve sur votre thermostat :

- Votre appareil cessera de fonctionner lorsque vous mettrez le bouton du thermostat à la position « 0 » (zéro). Votre appareil ne démarrera pas à moins que vous mettiez le bouton du thermostat sur la position « 1 » ou sur l'une des autres positions.

Si la position « min » se trouve sur votre thermostat :

- Débranchez votre appareil pour l'arrêter.

6 Entretien et nettoyage

- ⚠ N'utilisez jamais d'essence, de benzène ou de matériaux similaires pour le nettoyage.
- ⚠ Nous vous recommandons de débrancher l'appareil avant de procéder au nettoyage.
- ℹ N'utilisez jamais d'ustensiles tranchants, savon, produit de nettoyage domestique, détergent et cirage pour le nettoyage.
- ℹ Utilisez de l'eau tiède pour nettoyer la carrosserie du congélateur / réfrigérateur et séchez-la soigneusement à l'aide d'un chiffon.
- ℹ Utilisez un chiffon humide imbibé d'une solution composée d'une cuillère à café de bicarbonate de soude pour un demi litre d'eau pour nettoyer l'intérieur et séchez soigneusement.
- ⚠ Prenez soin de ne pas faire couler d'eau dans le logement de la lampe et dans d'autres éléments électriques.
- ⚠ En cas de non utilisation de votre congélateur / réfrigérateur pendant une période prolongée, débranchez le câble d'alimentation, sortez toutes les denrées, nettoyez-le et laissez la porte entrouverte.
- ℹ Inspectez les joints de porte régulièrement pour vérifier qu'ils sont propres et qu'il n'y a pas de résidus de nourriture.
- ℹ Pour retirer les balconnets de portes, sortez tout son contenu puis poussez simplement le balconnet vers le haut à partir de la base.

- ℹ Ne jamais utiliser des produits nettoyants ou de l'eau contenant du chlore pour le nettoyage des surfaces externes et des pièces chromées du produit. Le chlore entraîne la corrosion de ces surfaces métalliques.

Protection des surfaces en plastique.

- Ne placez pas d'huiles ou de plats huileux dans le congélateur / réfrigérateur dans des récipients non fermés, car les graisses peuvent endommager les surfaces en plastique du congélateur / réfrigérateur. Si vous versez ou éclaboussez de l'huile sur les surfaces en plastique, nettoyez et lavez les parties souillées avec de l'eau chaude immédiatement.

7 Solutions recommandées aux problèmes

Veillez vérifier la liste suivante avant d'appeler le service après-vente. Cela peut vous faire économiser du temps et de l'argent. Cette liste regroupe les problèmes les plus fréquents ne provenant pas d'un défaut de fabrication ou d'utilisation du matériel. Il se peut que certaines des fonctions décrites ne soient pas présentes sur votre produit.

Le réfrigérateur ne fonctionne pas.

- Le réfrigérateur est-il correctement branché ? Insérez la prise dans la prise murale.
- Est-ce que le fusible ou la douille de raccord du réfrigérateur sont connectés ou est-ce que le fusible principal a sauté ? Vérifiez le fusible.

Condensation sur la paroi intérieure du compartiment réfrigérateur. (MULTIZONE, COOL CONTROL et FLEXI ZONE).

- Température ambiante très basse. Ouvertures et fermetures fréquentes de la porte. Humidité ambiante très élevée. Conservation de denrées liquides dans des récipients ouverts. Porte laissée entrouverte. Réglez le thermostat à un niveau de froid supérieur.
- Réduisez les temps d'ouverture de la porte ou utilisez-la moins fréquemment.
- Couvrez les denrées dans des récipients ouverts à l'aide d'un matériau adapté.
- Essayez la condensation à l'aide d'un tissu sec et vérifiez si elle persiste.

Le compresseur ne fonctionne pas.

- Le dispositif de protection thermique du compresseur sautera en cas de coupures soudaines du courant ou de débranchement intempestif, en effet la pression du liquide réfrigérant du système de refroidissement ne sera pas équilibrée. Le réfrigérateur recommencera à fonctionner normalement après 6 minutes environ. Veuillez contacter le service après-vente si le réfrigérateur ne redémarre pas après cette période.
- Le réfrigérateur est en mode de dégivrage. Cela est normal pour un réfrigérateur à dégivrage semi-automatique. Le cycle de dégivrage se déclenche régulièrement.
- Le réfrigérateur n'est pas branché à la prise. Assurez-vous que la prise est branchée à la prise murale.
- Les réglages de température sont-ils corrects ?
- Il se peut qu'il y ait une panne d'électricité.

Le réfrigérateur fonctionne fréquemment ou pendant de longues périodes.

- Votre nouveau réfrigérateur est peut-être plus large que l'ancien. Ceci est tout à fait normal. Les grands réfrigérateurs fonctionnent pendant une période de temps plus longue.
- La température ambiante de la salle peut être élevée. Ceci est tout à fait normal.
- Le réfrigérateur pourrait y avoir été branché tout récemment ou pourrait avoir été chargé de denrées alimentaires. Le refroidissement complet du réfrigérateur peut durer quelques heures de plus.
- D'importantes quantités de denrées chaudes ont peut-être été introduites dans le réfrigérateur récemment. Les denrées chaudes provoquent un fonctionnement prolongé du réfrigérateur avant d'atteindre le niveau de température de conservation raisonnable.
- Les portes ont peut-être été ouvertes fréquemment ou laissées entrouvertes pendant une durée prolongée. L'air chaud qui entre dans le réfrigérateur le fait fonctionner pendant de plus longues périodes. Ouvrez les portes moins souvent.
- La porte du réfrigérateur ou du congélateur ont peut-être été laissées entrouvertes. Vérifiez que les portes sont bien fermées.
- Le réfrigérateur est réglé à une température très basse. Réglez la température du réfrigérateur à un degré supérieur et attendez jusqu'à ce que la température soit bonne.
- Le joint de la porte du réfrigérateur ou du congélateur peut être sale, déchiré, rompu ou mal en place. Nettoyez ou remplacez le joint. Tout joint endommagé/déchiré fait fonctionner le réfrigérateur pendant une période de temps plus longue afin de conserver la température actuelle.

La température du congélateur est très basse alors que celle du réfrigérateur est correcte.

- La température du congélateur est réglée à une température très basse. Réglez la température du congélateur à un degré supérieur et vérifiez.

La température du réfrigérateur est très basse alors que celle du congélateur est correcte.

- Il se peut que la température du réfrigérateur a réglée à une température très basse. Réglez la température du réfrigérateur à un degré supérieur et vérifiez.

Les denrées conservées dans les tiroirs du compartiment de réfrigération congèlent.

- Il se peut que la température du réfrigérateur a réglée à une température très basse. Réglez la température du réfrigérateur à un degré supérieur et vérifiez.

La température dans le réfrigérateur ou le congélateur est très élevée.

- La température du réfrigérateur a peut être été réglée à un degré très élevé. Le réglage du réfrigérateur a un effet sur la température du congélateur. Modifiez la température du réfrigérateur ou du congélateur jusqu'à ce qu'elles atteignent un niveau correct.
- Les portes ont peut être été ouvertes fréquemment ou laissées entrouvertes pendant une durée prolongée; ouvrez-les moins fréquemment.
- La porte est peut être restée ouverte; refermez complètement la porte.
- D'importantes quantités de denrées chaudes ont peut être été introduites dans le réfrigérateur récemment. Attendez que le réfrigérateur ou le congélateur atteigne la bonne température.
- Le réfrigérateur y a peut être été branché récemment. Le refroidissement complet du réfrigérateur nécessite du temps.

Le niveau sonore augmente lorsque le réfrigérateur est en marche.

- Les caractéristiques de performance du réfrigérateur peuvent changer en raison des variations de la température ambiante. Cela est normal et n'est pas un défaut.

Vibrations ou bruits

- Le sol n'est pas plat ou n'est pas solide. Le réfrigérateur oscille lorsqu'on le bouge lentement. Assurez-vous que le sol est plat et suffisamment solide pour supporter le réfrigérateur.
- Les bruits peuvent être produits par les objets placés sur le réfrigérateur. Enlevez tout ce qu'il y a au-dessus du réfrigérateur.

Le réfrigérateur produit des bruits semblables à de l'eau qui coule ou à la pulvérisation d'un liquide.

- Des écoulements de gaz et de liquides se produisent dans le réfrigérateur, de par ses principes de fonctionnement. Cela est normal et n'est pas un défaut.

Le réfrigérateur produit des bruits semblables à du vent.

- Les ventilateurs sont utilisés pour refroidir le réfrigérateur. Cela est normal et n'est pas un défaut.

Condensation sur les parois intérieures du réfrigérateur.

- Un temps chaud et humide augmente la formation de givre et de condensation. Cela est normal et n'est pas un défaut.
- La porte est peut être restée ouverte; assurez-vous que les portes sont complètement fermées.
- Les portes ont peut être été ouvertes fréquemment ou laissées entrouvertes pendant une durée prolongée; ouvrez-les moins fréquemment.

De l'humidité est présente à l'extérieur ou entre les portes du réfrigérateur.

- Il y a peut être de l'humidité dans l'air; ceci est tout à fait normal par un temps humide. Lorsque l'humidité est faible, la condensation disparaîtra.

Présence d'une mauvaise odeur dans le réfrigérateur.

- L'intérieur du réfrigérateur doit être nettoyé. Nettoyez l'intérieur du réfrigérateur avec une éponge, de l'eau tiède ou de l'eau gazeuse.
- Certains récipients ou matériaux d'emballage peuvent provoquer ces odeurs. Utilisez un autre récipient ou changez de marque de matériau d'emballage.

La porte ne se ferme pas.

- Des récipients peuvent empêcher la fermeture de la porte. Remplacez les emballages qui obstruent la porte.
- Le réfrigérateur n'est pas complètement vertical et peut balancer lorsqu'on le bouge légèrement. Réglez les vis de levage.
- Le sol n'est pas plat ou solide. Assurez-vous que le sol est plat et qu'il peut supporter le réfrigérateur.

Les bacs à légumes sont coincés.

- Il se peut que les denrées touchent le haut du tiroir. Disposez à nouveau les denrées dans le tiroir.

Gelieve eerst deze gebruiksaanwijzing te lezen!

Beste klant,

We hopen dat uw product, dat in een moderne fabriek werd geproduceerd en onder de meest nauwkeurige procedures voor kwaliteitscontrole werd gecontroleerd, u doeltreffend van dienst zal zijn.

Wij bevelen daarom aan dat u eerst zorgvuldig de volledige gebruiksaanwijzing van uw product leest voordat u het product gaat gebruiken. Bewaar de handleiding voor toekomstige raadpleging.




Deze gebruiksaanwijzing

- Helpt u uw toestel snel en veilig te gebruiken.
- Lees de gebruiksaanwijzing voordat u het product installeert en gebruikt.
- Volg de instructies, in het bijzonder die met betrekking tot veiligheid.
- Bewaar de gebruiksaanwijzing op een eenvoudig toegankelijke plaats aangezien u deze later nodig kunt hebben.
- Daarnaast dient u ook de andere documenten die bij uw product worden geleverd te lezen.

Let erop dat deze gebruiksaanwijzing ook voor andere modellen kan gelden.

Symbolen en hun beschrijvingen

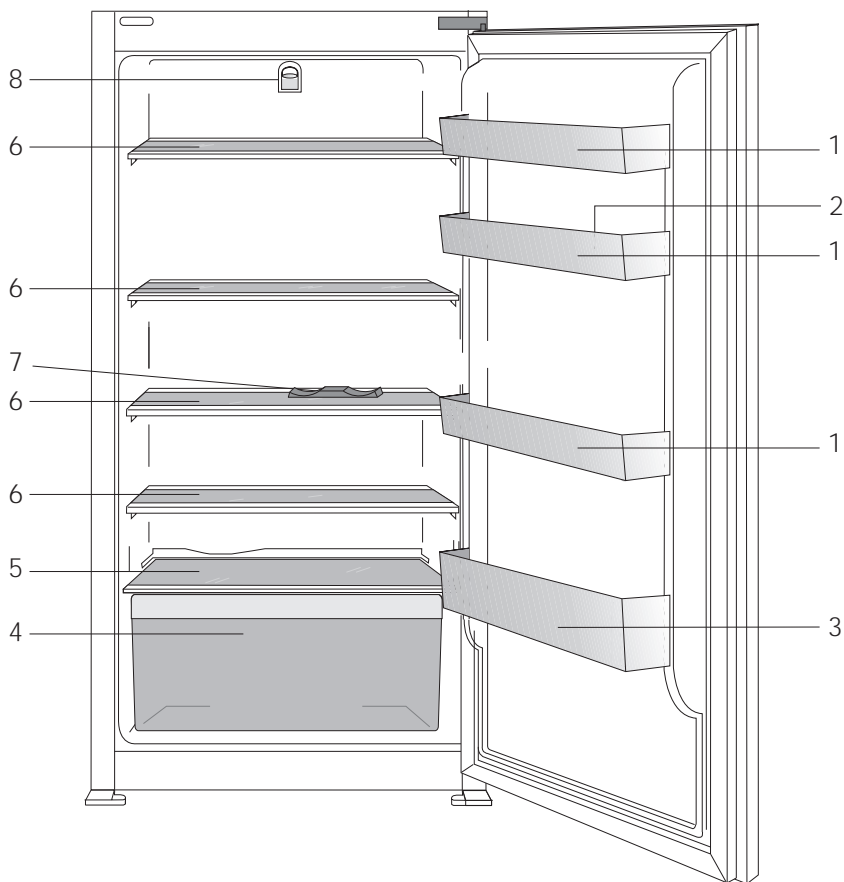
Deze instructiehandleiding bevat de volgende symbolen:

-  Belangrijke informatie of nuttige gebruikstips.
-  Waarschuwing tegen gevaarlijke omstandigheden voor leven en eigendommen.
-  Waarschuwing tegen elektrische spanning.

INHOUD

1 Uw koelkast	3	4 Voorbereiding	11
2 Belangrijke veiligheidswaarschuwingen	4	5 Gebruik van uw koelkast	12
Bedoeld gebruik	4	De werkingstemperatuur instellen	12
Algemene veiligheid	4	De werkingstemperatuur wordt geregeld via de temperatuursturing.	12
Kinderbeveiliging	6	Gebruik van de binnengedeelten	12
Voldoet aan de WEEE-richtlijn en de richtlijnen voor afvoeren van het restproduct.....	6	Koelen.....	12
Voldoet aan RoHS-richtlijn:	6	Ontdooien	13
Verpakkingsinformatie.....	6	Uw product uitschakelen	13
HCA-waarschuwing.....	7	6 Onderhoud en reiniging	14
Aanwijzingen ter besparing van energie ...	7	Bescherming van de plastic oppervlakken	14
3 Installatie	8	7 Aanbevolen oplossingen voor problemen	15
Punten waarop gelet moet worden bij de verplaatsing van een koelkast	8		
Voordat u de koelkast inschakelt,	8		
Afvoeren van de verpakking.....	9		
Afvoeren van uw oude koelkast	9		
Plaatsing en installatie.....	9		
Het binnenlichtje vervangen	9		
De deuren omkeren	10		

1 Uw koelkast



- | | |
|------------------------------------|--|
| 1. Verstelbare deurschappen | 6. Verplaatsbare schappen |
| 2. Eierrek | 7. Houder fles |
| 3. Flessenrekken | 8. Binnenverlichting en thermostaat |
| 4. Groentelade | |
| 5. Deksel groentelade | |

i De afbeeldingen in deze gebruiksaanwijzing zijn schematisch en hoeven niet exact met uw product overeen te komen. Wanneer onderdelen niet tot het product behoren dat u hebt gekocht, gelden deze voor andere modellen.

2 Belangrijke veiligheidswaarschuwingen

Gelieve de volgende informatie goed te bestuderen. Niet-inachtneming van deze informatie kan verwondingen of materiële schade veroorzaken. In dat geval worden alle garanties en betrouwbaarheidsengagementen ongeldig.

De originele onderdelen worden beschikbaar gehouden gedurende een periode van 10 jaar vanaf de aankoopdatum.

Bedoeld gebruik

Dit product is bedoeld om te worden gebruikt:

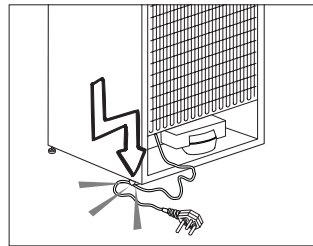
- binnen en in gesloten omgevingen zoals huizen;
- in gesloten werkomgevingen zoals kantoren en winkels;
- in gesloten accommodatieomgevingen zoals boerderijen, hotels, pensions.
- Het toestel mag niet buitenshuis worden gebruikt.

Algemene veiligheid

- Wanneer u het product wenst af te voeren, raden wij u aan de bevoegde onderhoudsdienst te raadplegen om de benodigde informatie en bevoegde instanties te leren kennen.
- Raadpleeg uw bevoegde onderhoudsdienst voor alle vragen en problemen met betrekking tot de koelkast. Voer geen ingrepen aan de koelkast uit en laat dit ook niet door iemand anders doen zonder de bevoegde onderhoudsdienst op de hoogte te stellen.
- Voor producten met een diepvriesvak; Eet geen ijs of ijsblokjes meteen nadat u deze uit het diepvriesvak heeft gehaald. (Dit kan bevriezing in uw mond veroorzaken.)

- Voor producten met een diepvriesvak; Plaats geen flessen of blikjes met vloeibare dranken in het diepvriesvak. Deze zouden kunnen barsten.
- Raak ingevroren levensmiddelen niet met de hand aan; deze kunnen aan uw hand vastplakken.
- Verwijder de stekker uit uw koelkast voor u deze reinigt of ontdooit.
- Bij het schoonmaken en ontdoeien van de koelkast mogen geen stoom en stoomreinigers gebruikt worden. De stoom kan in contact komen met de elektrische onderdelen en kortsluiting of een elektrische schok veroorzaken.
- Gebruik geen onderdelen van uw koelkast zoals de deur als steun of opstapje.
- Gebruik geen elektrische apparaten binnen in de koelkast.
- Beschadig de onderdelen, waar de koelmoeistof circuleert, niet door boor- of snijgereedschap. De koelmoeistof kan naar buiten geblazen worden wanneer de gasleidingen van de verdamper, leidingverlengingen of oppervlaktecoatings worden doorboord en dit kan huidirritatie en oogletsel veroorzaken.
- Dek of blokkeer de ventilatieopeningen van uw koelkast met geen enkel materiaal.
- Elektrische toestellen mogen enkel door bevoegde personen worden hersteld. Reparaties die door onbevoegde personen worden uitgevoerd kunnen een risico voor de gebruiker opleveren.
- Sluit in geval van storing of tijdens onderhouds- of reparatiewerken de stroomtoevoer van de koelkast af door de zekering eruit te draaien of de stekker van het apparaat eruit te trekken.
- Bij het uittrekken van de stekker deze niet aan de kabel uittrekken.

- Plaats alcoholische dranken goed afgesloten en verticaal.
- Bewaar nooit spuitbussen met een ontvlambare of explosieve inhoud in de koelkast.
- Gebruik geen andere mechanische gereedschappen of andere middelen om het ontdooiproces te versnellen dan deze aangeraden door de fabrikant.
- Dit product is niet bestemd voor gebruik door personen met een fysieke, zintuiglijke of mentale stoornis of ongeschoolde of onervaren mensen (inclusief kinderen) tenzij deze worden bijgestaan door een persoon die verantwoordelijk is voor hun veiligheid of die hen dienovereenkomstig instructies geeft bij het gebruik van het product
- Gebruik geen beschadigde koelkast. Neem contact op met de dealer als u vragen heeft.
- Elektrische veiligheid van uw koelkast wordt alleen gegarandeerd wanneer het aardingssysteem in uw huis aan de normen voldoet.
- Blootstelling van het product aan regen, sneeuw, zon en wind is gevaarlijk met betrekking tot de elektrische veiligheid.
- Neem contact op met een bevoegde dienst wanneer de stroomkabel beschadigd is om zo gevaar te voorkomen.
- Steek tijdens installatie nooit de stekker van de koelkast in de wandcontactdoos. Er bestaat een kans op overlijden of serieuw letsel.
- Deze koelkast is enkel bestemd voor het bewaren van voedsel. Hij mag niet voor andere doeleinden worden gebruikt.
- Het label met technische specificaties bevindt zich aan de linkerwand binnenin de koelkast.
- Sluit je koelkast nooit aan op energiebesparende systemen; deze kunnen de koelkast beschadigen.
- Als er zich een blauwe lamp in uw koelkast bevindt, kijk hier dan niet voor een lange tijd in met het blote oog of met optische hulpmiddelen. Wacht minstens 5 minuten met het inschakelen van de koelkast na stroomuitval bij manueel bediende koelkasten.
- Deze gebruikershandleiding moet aan de nieuwe eigenaar van het toestel gegeven worden wanneer het toestel doorgegeven wordt.
- Vermijd schade aan de stroomkabel bij transport van de koelkasten. De kabel plooiën kan vuur veroorzaken. Plaats geen zware voorwerpen op de stroomkabel.
- Raak de stekker niet aan met natte handen wanneer deze in het stopcontact wordt geplaatst.



- Plaats de stekker van de koelkast niet in het stopcontact als dit stopcontact los is.
- Er mag om veiligheidsredenen geen water rechtstreeks op de binnen- of buitendelen van het toestel gesproeid worden.
- Sproei geen stoffen met ontvlambare gassen zoals propaan dichtbij de koelkast om gevaar op vuur en ontploffing te voorkomen.
- Plaats geen containers gevuld met water op de koelkast; dit kan bij morsen elektrische schokken of vuur veroorzaken.
- Laad de koelkast niet te vol met voedsel. Indien de koelkast overladen is, kan voedsel naar beneden vallen bij het openen en u kwetsen of de koelkast beschadigen.

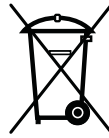
- Plaats geen objecten op de koelkast; deze kunnen naar beneden vallen wanneer u de deur open of dicht doet.
- Producten die een nauwkeurige temperatuurregeling nodig hebben (vaccins, hittegevoelige medicatie, wetenschappelijke materialen, enz.) mogen niet in koelkast bewaard worden.
- De koelkast moet worden losgekoppeld indien deze langdurig niet wordt gebruikt. Een mogelijk probleem met de stroomkabel kan vuur veroorzaken.
- Het uiteinde van de stekker moet regelmatig worden gereinigd met een droge doek, anders kan deze brand veroorzaken.
- De koelkast kan bewegen als de stelvoetjes niet juist op de vloer worden vastgezet. De stelvoetjes juist vastzetten op de vloer kan voorkomen dat de koelkast beweegt.
- Hef de koelkast niet aan het handvat bij verplaatsing. Anders breekt het.
- Als u het product naast een andere koelkast of diepvriezer plaatst, moet de afstand hiertussen minstens 8 cm zijn. Anders kunnen aaneensluitende zijwanden nat worden.

Kinderbeveiliging

- Indien de deur een slot heeft, moet de sleutel buiten het bereik van kinderen worden gehouden.
- Kinderen moeten onder toezicht staan om te voorkomen dat ze met het product knoeien.

Voldoet aan de WEEE-richtlijn en de richtlijnen voor afvoeren van het restproduct

Dit product bevat geen schadelijke of verboden materialen zoals beschreven in de "Verordening op controle voor afvalsortering van elektrische en elektronische apparatuur" uitgegeven door het T.R. ministerie van milieu en planologie. Voldoet aan de WEEE-verordening.



Dit product werd vervaardigd uit onderdelen en materialen van hoge kwaliteit die hergebruikt kunnen worden en geschikt zijn voor recycling. Gooi het product daarom niet weg met het normaal

huishoudafval aan het einde van zijn levensduur. Breng het naar een recyclingpunt voor het recyclen van elektrische en elektronische apparaten. Vraag uw plaatselijke overheid waar het dichtstbijzijnde verzamelpunt gelegen is. Help het milieu en natuurlijke bronnen te beschermen door gebruikte producten te recyclen. Snij, voordat u zich van het product ontdoet, de stroomkabel door en breek het vergrendelmechanisme van de deur, zodat het niet meer werkt, om zo de veiligheid van kinderen te beschermen.

Voldoet aan RoHS-richtlijn:

Het door u aangekochte product voldoet aan de EU-richtlijn RoHS (2011/65/EU). Het bevat geen schadelijke en verboden materialen die in deze richtlijn zijn opgenomen.

Verpakkingsinformatie

De verpakkingsmaterialen van het product zijn vervaardigd uit recycleerbare materialen in overeenstemming met onze nationale milieunormen. Gooi het verpakkingsmateriaal niet weg met het huishoudelijk of ander afval. Breng het naar een verzamelpunt voor verpakkingsmateriaal dat is aangesteld door de lokale autoriteiten.

Vergeet niet...

Elk gerecyclede stof is een essentieel belang voor de natuur en onze nationale rijkdom.

Als u wilt bijdragen aan de herbeoordeling van verpakkingsmaterialen, kunt u uw milieuorganisatie of uw gemeente raadplegen.

HCA-waarschuwing

Als het koelsysteem van uw product R600a bevat:

Dit gas is ontvlambaar. Zorg daarom tijdens gebruik en transport dat het koelsysteem en de leidingen niet beschadigd raken. In het geval van schade: houd uw product weg van mogelijke ontstekingsbronnen die kunnen veroorzaken dat het product vuur vat en ventileer de ruimte waarin de unit is geplaatst.

Negeer deze waarschuwing als het koelsysteem van uw product R134a bevat.

Het type gas dat in dit product wordt gebruikt staat vermeld op de type-etiket aan de linkerwand binnenin de koelkast.

Gooi het product nooit in vuur voor verwijdering.

Aanwijzingen ter besparing van energie

- Houd de deuren van uw koelkast niet lang open.
 - Plaats geen warme levensmiddelen of dranken in de koelkast.
 - Overlaad de koelkast niet zodat luchtcirculatie aan de binnenzijde niet geblokkeerd wordt.
 - Plaats de koelkast niet in direct zonlicht of naast warmteafgevend apparaten zoals een oven, vaatwasser of radiator. Houd uw koelkast minstens 30 cm verwijderd van warmteafgevend bronnen en minstens 5 cm van elektrische ovens.
 - Bewaar uw levensmiddelen in gesloten bakjes.
- Voor producten met een diepvriesvak; U kunt een maximale hoeveelheid voedsel in de diepvries bewaren wanneer u de schappen of lade uit de diepvries verwijdert. De waarde voor energieconsumptie van uw diepvries werd vastgesteld door verwijdering van de diepvries schappen of laden en onder de maximum hoeveelheid. Er bestaat geen risico bij het gebruik van een schap of lade volgens de vorm en grootte van het in te vriezen voedsel.
 - Bevroren voedsel in het koelgedeelte ontdooien laat toe om energie te besparen en behoudt de voedselkwaliteit.

3 Installatie

⚠ Indien de informatie die in deze gebruikershandleiding wordt gegeven, niet wordt opgevolgd, is de fabrikant in geen geval aansprakelijk.

Punten waarop gelet moet worden bij de verplaatsing van een koelkast

1. Uw koelkast moet van de stroom zijn afgesloten. Voor het vervoer van uw koelkast moet deze leeg zijn gemaakt en gereinigd.
2. Voordat deze wordt verpakt, moeten schappen, accessoires, groentelade, enz. in de koelkast worden vastgemaakt met tape en beschermd zijn tegen stoten. De verpakking dient met dikke tape of geschikt touw worden ingebonden en de vervoerregels op de verpakking dienen strikt te worden nageleefd.
3. Originele verpakking en schuimmaterialen moeten worden bewaard voor toekomstig transport of verhuizen.

Voordat u de koelkast inschakelt,

Controleer het volgende voordat u uw koelkast gaat gebruiken:

1. Bevestig 2 plastic wiggen. Plastic wiggen zijn bedoeld om afstand te houden, om zo een luchtcirculatie te behouden tussen uw koelkast en de muur.
2. Maak de binnenkant van de koelkast schoon, zoals aanbevolen in het hoofdstuk "Onderhoud en reiniging".

3. Sluit de stekker van de koelkast aan op het stopcontact. Als de koelkastdeur wordt geopend, gaat de binnenvverlichting van de koelkast aan.
4. Als de compressor begint te draaien, komt er een geluid vrij. De vloeistof en de gassen die zich in het koelsysteem bevinden, zouden ook wat lawaai kunnen veroorzaken zelfs wanneer de compressor niet werkt. Dit is normaal.
5. De buitenkant van de koelkast kan warm aanvoelen. Dit is normaal. Deze oppervlakken zijn bedoeld om warm te worden om condensvorming te voorkomen.

Elektrische aansluiting

Sluit uw apparaat aan op een geaard stopcontact, beschermd door een zekering met de juiste capaciteit.

Belangrijk:

- De aansluiting moet in naleving zijn met nationale voorschriften.
- De stroomstekker moet na installatie eenvoudig bereikbaar zijn.
- Elektrische veiligheid van uw koelkast wordt alleen gegarandeerd wanneer het aardingsstelsel in uw huis aan de normen voldoet.
- Het voltage op het etiket dat zich links binnenin uw product bevindt moet gelijk zijn aan uw netstroomvoltage.
- **Verlengkabels en verdeelstekkers mogen voor aansluiting niet worden gebruikt.**

⚠ Een beschadigde stroomkabel moet door een gekwalificeerde elektricien worden vervangen.

⚠ Het product mag niet in werking worden gesteld voordat het gerepareerd is! Er bestaat anders gevaar op een elektrische schok!

Afvoeren van de verpakking

De verpakkingsmaterialen kunnen gevaarlijk zijn voor kinderen. Houd het verpakkingsmateriaal buiten bereik van kinderen of voer deze af conform afvalinstructies zoals bepaald door uw lokale autoriteiten. Gooi het niet weg met het normale huishoudafval, maar maak gebruik van ophaalplaatsen voor verpakkingen die door lokale autoriteiten zijn aangewezen.

De verpakking van uw koelkast is vervaardigd uit herbruikbare materialen.


Afvoeren van uw oude koelkast

Voer uw oude koelkast af zonder het milieu op enige wijze te schaden.

- U kunt uw bevoegde dealer of het afvalcentrum van uw gemeente raadplegen over het afvoeren van uw koelkast.

Voordat u uw koelkast afvoert, snijd de elektrische stekker af. Indien het apparaat is uitgevoerd met deursluitingen, dit slot dan onbruikbaar maken om kinderen tegen gevaar te beschermen.

Plaatsing en installatie

 Als de toegangsdeur van de kamer waarin de koelkast wordt geïnstalleerd niet breed genoeg is voor de koelkast om erdoor te passen, bel dan de bevoegde dienst zodat deze de deuren van uw koelkast kan verwijderen en de koelkast zijdelings door de deur kan.

1. Installeer uw koelkast op een plaats waar deze gemakkelijk kan worden gebruikt.
2. Houd uw koelkast uit de buurt van warmtebronnen, vochtige plaatsen en direct zonlicht.

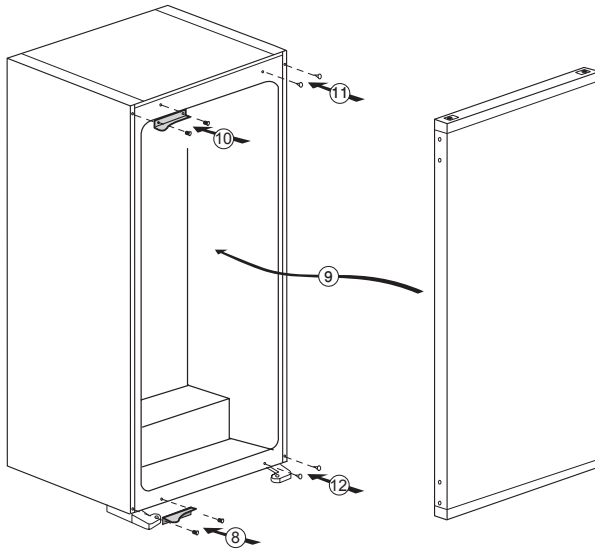
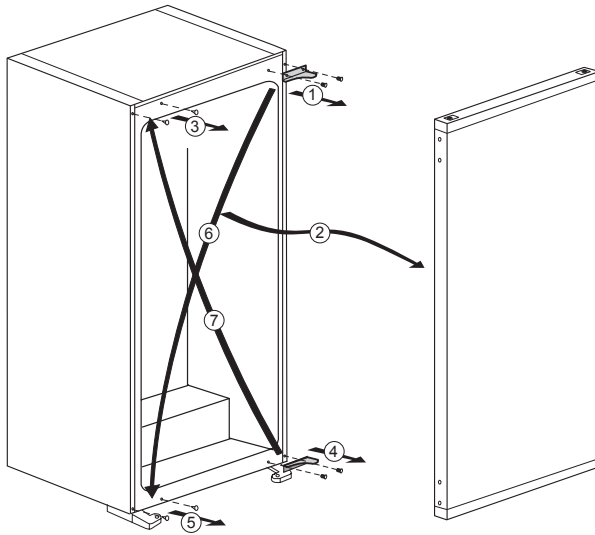
3. Er moet geschikte luchtventilatie rond uw koelkast zijn om een efficiënte werking te verkrijgen. Als de koelkast in een uitsparing in de muur wordt geplaatst, moet er minstens 5 cm afstand zijn ten opzichte van het plafond en minstens 5 cm ten opzichte van de muur. Plaats uw product niet op materialen zoals een kleden of vloerbedekking.

4. Plaats uw koelkast op een vlak vloeroppervlak om schokken te vermijden.

Het binnenlichtje vervangen

Om de lamp/led voor de binnenverlichting van uw koelkast te vervangen, bel uw bevoegde onderhoudsdienst. De lamp of lampen voorzien in dit apparaat mogen niet worden gebruikt voor de verlichting van huishoudelijke ruimten. Het beoogde gebruik van deze lamp is de gebruiker te helpen etenswaren op veilige en comfortabele wijze in de koelkast/diepvriezer te plaatsen. De lampen die in dit apparaat worden gebruikt moeten bestendig zijn tegen extreme fysieke omstandigheden, zoals temperaturen beneden de -20°C.

De deuren omkeren



4 Voorbereiding

i Uw koelkast moet worden geïnstalleerd op minstens 30 cm afstand van warmtebronnen zoals kookplaten, centrale verwarming en kachels en op minstens 5 cm afstand van elektrische ovens. De koelkast mag niet in direct zonlicht worden geplaatst.

De omgevingstemperatuur van de kamer waarin u de koelkast installeert dient minstens 10°C te zijn. In verband met efficiëntie wordt gebruik van uw koelkast in koudere omstandigheden niet aanbevolen.

i Controleer of de binnenzijde van uw koelkast volledig schoon is.

i Bij installatie van twee koelkasten naast elkaar, moeten de koelkasten op een afstand van minstens 2 cm van elkaar worden geplaatst.

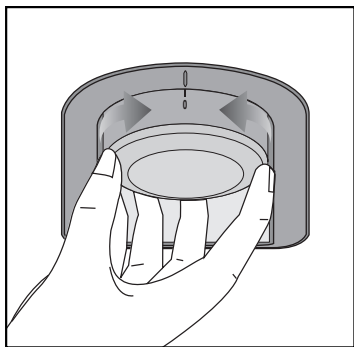
i Wanneer u de koelkast voor de eerste keer in gebruik neemt, gelieve tijdens de eerste zes uur de volgende instructies in acht te nemen.

- De deur niet regelmatig openen.
- Koelkast moet in bedrijf gesteld worden zonder levensmiddelen.
- De stekker van de koelkast niet uittrekken. Indien zich een stroomstoring voordoet buiten uw macht, zie de waarschuwingen in het deel "Aanbevolen oplossingen voor problemen".

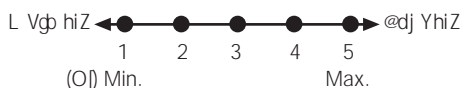
i Originele verpakking en schuimmaterialen moeten worden bewaard voor toekomstig transport of verhuizen.

5 Gebruik van uw koelkast

De werkingstemperatuur instellen



De werkingstemperatuur wordt geregeld via de temperatuursturing.



1 = Laagste koelinstelling (Warmste instelling)

5 = Hoogste koelinstelling (Koudste instelling)

(Of)

Min. = Laagste koelstand

(Warmste instelling)

Max. = Hoogste koelstand

(Koudste instelling)

De gemiddelde koelkasttemperatuur moet ongeveer +5 °C bedragen.

Kies een stand afhankelijk van de gewenste temperatuur.

Merk op dat er in het koelgebied verschillende temperaturen zijn.

Het koudste gedeelte bevindt zich onmiddellijk boven het groentevak.

De binnentemperatuur hangt ook af van de omgevingstemperatuur, hoe vaak de deur geopend wordt en de hoeveelheid voedsel die in de koelkast bewaard wordt.

Wanneer u de deur vaak opent, stijgt de temperatuur in de koelkast.

Het is daarom raadzaam om de deur na elk gebruik zo snel mogelijk te sluiten.

Gebruik van de binnengedeelten

Verplaatsbare schappen: De afstand tussen de schappen kan indien gewenst worden aangepast.

Groentelade: Groenten en fruit kunnen in dit gedeelte worden geplaatst en gedurende langere tijd worden bewaard.

Flessenrek: In dit rek kunnen flessen, potten en blikjes worden bewaard.

Koelen

Bewaren van voedsel

Het koelkastgedeelte dient voor het bewaren van verse etenswaren en dranken.

Bewaar melkproducten in het daartoe bedoelde vak in de koelkast.

Flessen kunnen in de flessenhouder worden gezet of in het flessenvak van de deur.

Rauw vlees kan het best worden bewaard in een polyethyleen zak onderaan in de koelkast.

Laat hete voedingswaren en dranken eerst afkoelen tot kamertemperatuur voor u ze in de koelkast plaatst.

- Let op

Bewaar geconcentreerde alcohol enkel rechtopstaand en goed afgesloten.

- Let op

Bewaar geen explosieve bestanddelen of containers met ontvlambaar drijfgas (slagroomverdelers, spuitbussen, enz.) in het apparaat. Er bestaat een kans op explosie.

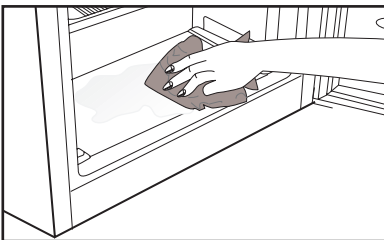
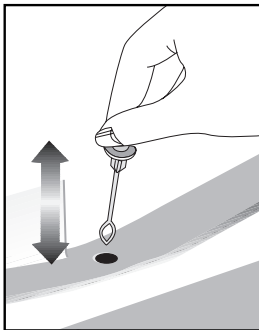
Ontdooien

Het koelkastgedeelte ontdooit automatisch. Het dooiwater stroomt door het afvoerkanaal in een verzamelcontainer aan de achterzijde van het apparaat.

Tijdens het ontdooien kunnen waterdruppels worden gevormd aan de achterzijde van de koelkast. Dit komt van de verdamper.

Indien niet alle druppels naar beneden zakken, kunnen ze na het ontdooiproces opnieuw aanvriezen. Verwijder ze met een doek gedrenkt in lauwwarm water. Gebruik nooit een hard of een scherp voorwerp.

Controleer de doorstroming van het dooiwater regelmatig. De opening kan soms verstopt raken.



Uw product uitschakelen











Als uw thermostaat is uitgerust met de stand "0":

- Uw product stopt met werken wanneer u de thermostaatknop naar de stand "0" (nul) draait. Uw product zal pas weer starten wanneer u de thermostaatknop naar de stand "1" of naar een van de andere standen draait.


Als uw thermostaat is uitgerust met de stand "min":

- Trek de stekker van uw product uit het stopcontact om het uit te schakelen.

6 Onderhoud en reiniging

-  Gebruik nooit benzine, benzeen of gelijksoortige substanties voor het reinigingswerk.
-  Wij bevelen aan dat u de stekker uit het toestel trekt voordat u met reinigen begint.
-  Gebruik nooit scherpe voorwerpen, zeep, huishoudproducten, afwasmiddel of boenwas om te poetsen.
-  Gebruik lauwwarm water om de kast van uw koelkast schoon te maken en wrijf deze droog.
-  Gebruik een vochtige doek, uitgewrongen in een oplossing van één koffielepel natriumbicarbonaat voor 50 cl water, om de binnenkant schoon te maken en wrijf vervolgens droog.
-  Zorg ervoor dat er geen water in de lamp en andere elektrische onderdelen binnensijpelt.
-  Als uw koelkast voor een lange periode niet zal worden gebruikt, trek dan de stroomkabel uit, verwijder alle etenswaren, maak de koelkast schoon en laat de deur op een kier staan.
-  Kijk de deurgrendels regelmatig na om u ervan te overtuigen dat ze schoon en vrij van etensresten zijn.
-  Om deurroosters te verwijderen, verwijder de inhoud en druk het deurrooster vervolgens eenvoudigweg naar boven vanaf de basis.
-  Gebruik nooit reinigingsmiddelen of water dat chloor bevat om de buitenkant en de verchromde onderdelen van het product te reinigen. Chloor veroorzaakt corrosie op dergelijke metalen oppervlakken.

Bescherming van de plastic oppervlakken

-  Plaats geen vloeibare olie of in olie bereide maaltijden in uw koelkast in onafgedichte bakjes. Deze kunnen de plastic oppervlakken van uw koelkast beschadigen. Mocht u olie morsen op de kunststof oppervlakken, reinig dit deel van het oppervlak dan direct met warm water en spoel af.

7 Aanbevolen oplossingen voor problemen

Controleer de volgende punten voordat u de onderhoudsdienst belt. Dit kan u tijd en geld besparen. Deze lijst omvat regelmatige klachten die niet voortkomen uit defect vakmanschap of materiaalgebruik. Het is mogelijk dat bepaalde functies die hier beschreven zijn niet tot uw product behoren.

De koelkast werkt niet.

- Zit de stekker van de koelkast goed in het stopcontact? Steek de stekker in het stopcontact.
- Is de zekering van het stopcontact waarop de koelkast is aangesloten of de hoofdzekering gesprongen? Controleer de zekering.

Condensvorming langs de wand van het koelgedeelte (MULTI ZONE, COOL CONTROL en FLEXI ZONE).

- Zeer koude omgevingsomstandigheden. Regelmatig openen en sluiten van de deur. Zeer vochtige omgevingsomstandigheden. Bewaren van levensmiddelen met vloeistof in open bakjes. De deur staat op een kier. Zet de thermostaat kouder.
- Zorg dat de deur minder lang open staat of dat deze minder vaak wordt geopend.
- Dek de eetwaar die in open bakjes wordt bewaard af met een daarvoor geschikt materiaal.
- Veeg condens af met een droge doek en controleer of condensvorming aanhoudt.

De compressor draait niet

- Thermische bescherming van de compressor kan springen gedurende plotselinge stroomuitval of afsluiting van de stroomtoevoer wanneer de druk van het koelmiddel in het koelsysteem van de koelkast niet in balans is. De koelkast gaat na ongeveer 6 minuten draaien. Neem contact op met de onderhoudsdienst wanneer uw koelkast na deze periode niet start.
- De koelkast zit in een ontdooicyclus. Dit is normaal voor een volledig automatisch ontdooiende koelkast. Ontdooicyclus vindt periodiek plaats.
- De stekker van uw koelkast steekt niet in het stopcontact. Zorg ervoor dat de stekker correct in het stopcontact is gestoken.
- Zijn de temperatuurinstellingen goed ingesteld?
- De stroom werd mogelijk onderbroken.

De koelkast werkt frequent of gedurende lange tijd.

- Uw nieuwe product kan breder zijn dan de vorige. Dit is normaal. Grote koelkasten werken gedurende langere tijd.
- De omgevingstemperatuur kan hoog zijn. Dit is normaal.
- De stekker van de koelkast kan onlangs ingestoken zijn of de koelkast kan zijn volgeladen met etenswaren. Het compleet afkoelen van de koelkast kan enkele uren langer in beslag nemen.
- Grote hoeveelheden warme levensmiddelen kunnen recentelijk in de koelkast zijn geplaatst. Warme levensmiddelen maken dat de koelkast langer werkt tot deze eetbaar de veilige bewaartemperatuur heeft bereikt.
- Deuren kunnen regelmatig geopend zijn of gedurende enige tijd op een kier hebben gestaan. De warme lucht die in de koelkast is binnengekomen maakt dat de koelkast langer werkt. Open de deuren minder vaak.
- De deur van het diepvries- of koelgedeelte kan op een kier hebben gestaan. Controleer of de deuren goed gesloten zijn.
- De koelkast is zeer koud ingesteld. Stel de koelkasttemperatuur hoger en wacht tot de temperatuur wordt bereikt.
- Deurafdichting van de koelkast of diepvriezer kan vuil, versleten, gebroken of niet goed geplaatst zijn. Maak de afdichting schoon of vervang deze. Een beschadigde/gebroke afdichting maakt dat de koelkast langer moet werken om de huidige temperatuur te handhaven.

Diepvriestemperatuur is erg laag terwijl de koelkasttemperatuur voldoende is.

- De diepvriestemperatuur is zeer koud ingesteld. Stel de diepvriezertemperatuur hoger in en controleer.

Koelkasttemperatuur is erg laag terwijl de diepvries temperatuur voldoende is.

- De koelkasttemperatuur is mogelijk zeer koud ingesteld. Stel de koelkasttemperatuur hoger in en controleer.

Etenswaren die in laden van het koelgedeelte worden bewaard, bevroren.

- De koelkasttemperatuur is mogelijk zeer koud ingesteld. Stel de koelkasttemperatuur hoger in en controleer.

Temperatuur in de koelkast of diepvriezer is zeer hoog.

- De koelkasttemperatuur is mogelijk zeer warm ingesteld. Koelkastinstelling is van invloed op de temperatuur van de diepvriezer. Verander de temperatuur van de koelkast of diepvriezer totdat de temperatuur van de koelkast of diepvriezer het gewenste niveau bereikt.
- Deuren kunnen regelmatig geopend zijn of gedurende enige tijd op een kier hebben gestaan; doe ze minder vaak open.
- De deur is mogelijk op een kier blijven staan; doe de deur volledig dicht.
- Grote hoeveelheden warme levensmiddelen kunnen recentelijk in de koelkast zijn geplaatst. Wacht tot de koelkast of diepvriezer de gewenste temperatuur heeft bereikt.
- De koelkast kan recentelijk ingeschakeld zijn. Het kost tijd om de koelkast volledig te laten afkoelen.

Het werkingsgeluid neemt toe wanneer de koelkast werkt.
<ul style="list-style-type: none"> De werking van de koelkast kan veranderen als gevolg van wijzigingen in de omgevingstemperatuur. Dit is normaal en geen defect.
Vibratie of geluid.
<ul style="list-style-type: none"> De vloer is niet gelijk of is zwak. De koelkast kantelt een beetje wanneer langzaam wordt bewogen. Zorg dat de vloer vlak vlak en sterk genoeg is om de koelkast te dragen. Het geluid kan worden veroorzaakt door voorwerpen die op de koelkast zijn geplaatst. Voorwerpen bovenop de koelkast moeten worden verwijderd.
Een geluid van morsende of sprayende vloeistof komt uit de koelkast.
<ul style="list-style-type: none"> Vloeistof- en gasstromen vinden plaats conform de werkingsprincipes van uw koelkast. Dit is normaal en geen defect.
Een geluid van wind die blaast.
<ul style="list-style-type: none"> Er worden ventilatoren gebruikt om de koelkast te koelen. Dit is normaal en geen defect.
Condens op de binnenwanden van de koelkast.
<ul style="list-style-type: none"> Met warm en vochtig weer neemt ijs- en condensvorming toe. Dit is normaal en geen defect. De deuren kunnen op een kier hebben gestaan, zorg ervoor dat de deuren volledig gesloten zijn. Deuren kunnen regelmatig geopend zijn of gedurende enige tijd op een kier hebben gestaan; doe ze minder vaak open.
Vocht aan de buitenkant van de koelkast of tussen de deuren.
<ul style="list-style-type: none"> De lucht is mogelijk vochtig; dit is vrij normaal bij vochtig weer. Wanneer de vochtigheid minder wordt, zal de condens verdwijnen.
Slechte geur binnenin de koelkast.
<ul style="list-style-type: none"> De binnenkant van de koelkast moet gereinigd worden. Maak de binnenkant van de koelkast schoon met een spons met lauw of sodawater. Sommige bakjes of verpakkingsmaterialen kunnen de geur veroorzaken. Gebruik een ander bakje of ander soort verpakkingsmateriaal.
De deur sluit niet.
<ul style="list-style-type: none"> Het kan zijn dat voedselpakketjes veroorzaken dat de deur niet sluit. Verplaats de pakketjes die de deur belemmeren. De koelkast staat niet volledig waterpas op de vloer en wiebelt wanneer ze lichtjes wordt verplaatst. Stel de hoogteschroeven anders in. De vloer is niet gelijk of stevig. Zorg dat de vloer vlak is en de koelkast kan dragen.
Groenteladen zitten vast.
<ul style="list-style-type: none"> De levensmiddelen kunnen de bovenzijde van de lade raken. Herschik de levensmiddelen in de lade.

