



B 1901

Refrigerator  
Réfrigérateur  
Gefrierschrank

**BEKO**



B 1901

Koelkast  
Холодильник  
Frigorífico

**BEKO**

## Please read this manual first!

Dear Customer,

We hope that your product, which has been produced in modern plants and checked under the most meticulous quality control procedures, will provide you an effective service.

For this, we recommend you to carefully read the entire manual of your product before using it and keep it at hand for future references.




### This manual

- Will help you use your appliance in a fast and safe way.
- Read the manual before installing and operating your product.
- Follow the instructions, especially those for safety.
- Keep the manual in an easily accessible place as you may need it later.
- Besides, read also the other documents provided with your product.

Please note that this manual may be valid for other models as well.

### Symbols and their descriptions

This instruction manual contains the following symbols:

-  Important information or useful usage tips.
-  Warning against dangerous conditions for life and property.
-  Warning against electric voltage.



This product is supplied with the selective sorting symbol for waste electrical and electronic equipment (WEEE).

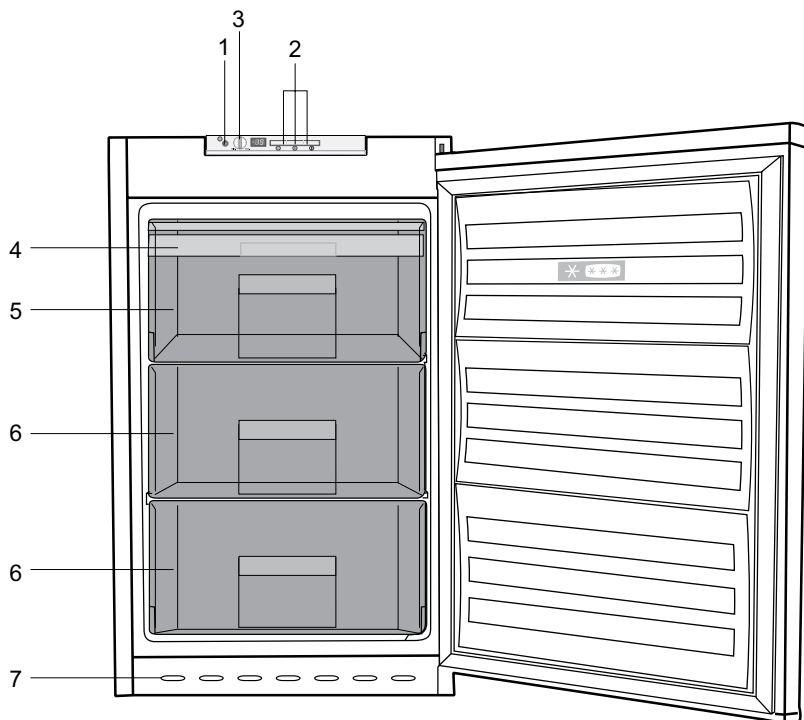
This means that this product must be handled pursuant to European Directive 2002/96/EC in order to be recycled or dismantled to minimise its impact on the environment. For further information, please contact your local or regional authorities.

Electronic products not included in the selective sorting process are potentially dangerous for the environment and human health due to the presence of hazardous substances.

## CONTENTS

<b>1 Your refrigerator</b>	<b>3</b>	<b>4 Using your refrigerator</b>	<b>12</b>
		LED indicators and control panel .	12
		Setting the operating temperature	13
<b>2 Important Safety Warnings</b>	<b>4</b>	<b>5 Maintenance and cleaning</b>	<b>16</b>
Intended use .....	4	Protection of plastic surfaces .....	16
For products with a water dispenser;	6		
Child safety.....	6	<b>6 Recommended solutions for the problems</b>	<b>17</b>
HCA Warning .....	6		
Things to be done for energy saving	7		
<b>3 Installation</b>	<b>8</b>		
Preparation.....	8		
Points to be considered when re-transporting your refrigerator .....	8		
Before operating your refrigerator ..	8		
Adjusting the legs .....	9		
Electrical connection.....	9		
Initial startup .....	10		
Disposing of the packaging .....	10		
Disposing of your old refrigerator .	10		
Reversing the doors .....	11		

# 1 Your refrigerator



1. Fast-Freeze switch
2. Indicator lights
3. Thermostat knob
4. Ice bank
5. Fast-freeze compartment
6. Frozen-food compartments
7. Air grill

Figures that take place in this instruction manual are schematic and may not correspond exactly with your product. If the subject parts are not included in the product you have purchased, then it is valid for other models.

## 2 Important Safety Warnings

---

Please review the following information. Failure to observe this information may cause injuries or material damage. Otherwise, all warranty and reliability commitments will become invalid.

The usage life of the unit you purchased is 10 years. This is the period for keeping the spare parts required for the unit to operate as described.

### Intended use

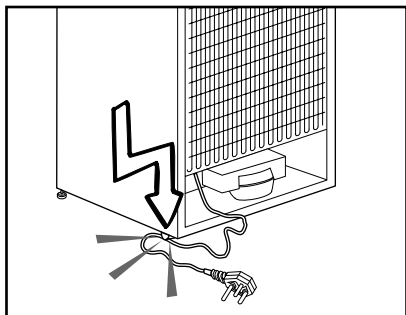
This product is intended to be used

- indoors and in closed areas such as homes;
- in closed working environments such as stores and offices;
- in closed accommodation areas such as farm houses, hotels, pensions.
- This product should not be used outdoors.

### General safety

- When you want to dispose/scrap the product, we recommend you to consult the authorized service in order to learn the required information and authorized bodies.
- Consult your authorized service for all your questions and problems related to the refrigerator. Do not intervene or let someone intervene to the refrigerator without notifying the authorised services.
- For products with a freezer compartment; Do not eat cone ice cream and ice cubes immediately after you take them out of the freezer compartment! (This may cause frostbite in your mouth.)
- For products with a freezer compartment; Do not put bottled and canned liquid beverages in the freezer compartment. Otherwise, these may burst.
- Do not touch frozen food by hand; they may stick to your hand.
- Unplug your refrigerator before cleaning or defrosting.
- Vapor and vaporized cleaning materials should never be used in cleaning and defrosting processes of your refrigerator. In such cases, the vapor may get in contact with the electrical parts and cause short circuit or electric shock.
- Never use the parts on your refrigerator such as the door as a means of support or step.
- Do not use electrical devices inside the refrigerator.
- Do not damage the parts, where the refrigerant is circulating, with drilling or cutting tools. The refrigerant that might blow out when the gas channels of the evaporator, pipe extensions or surface coatings are punctured causes skin irritations and eye injuries.
- Do not cover or block the ventilation holes on your refrigerator with any material.
- Electrical devices must be repaired by only authorised persons. Repairs performed by incompetent persons create a risk for the user.
- In case of any failure or during a maintenance or repair work, disconnect your refrigerator's mains supply by either turning off the relevant fuse or unplugging your appliance.

- Do not pull by the cable when pulling off the plug.
- Place the beverage with higher proofs tightly closed and vertically.
- Never store spray cans containing flammable and explosive substances in the refrigerator.
- Do not use mechanical devices or other means to accelerate the defrosting process, other than those recommended by the manufacturer.
- This product is not intended to be used by persons with physical, sensory or mental disorders or unlearned or inexperienced people (including children) unless they are attended by a person who will be responsible for their safety or who will instruct them accordingly for use of the product
- Do not operate a damaged refrigerator. Consult with the service agent if you have any concerns.
- Electrical safety of your refrigerator shall be guaranteed only if the earth system in your house complies with standards.
- Exposing the product to rain, snow, sun and wind is dangerous with respect to electrical safety.
- Contact authorized service when there is a power cable damage to avoid danger.
- Never plug the refrigerator into the wall outlet during installation. Otherwise, risk of death or serious injury may arise.
- This refrigerator is intended for only storing food items. It must not be used for any other purpose.
- Label of technical specifications is located on the left wall inside the refrigerator.
- Never connect your refrigerator to electricity-saving systems; they may damage the refrigerator.
- If there is a blue light on the refrigerator, do not look at the blue light with optical tools.
- For manually controlled refrigerators, wait for at least 5 minutes to start the refrigerator after power failure.
- This operation manual should be handed in to the new owner of the product when it is given to others.
- Avoid causing damage on power cable when transporting the refrigerator. Bending cable may cause fire. Never place heavy objects on power cable. Do not touch the plug with wet hands when plugging the product.
- Do not plug the refrigerator if the wall outlet is loose.
- Water should not be sprayed directly on inner or outer parts of the product for safety purposes.
- Do not spray substances containing inflammable gases such as propane gas near the refrigerator to avoid fire and explosion risk.
- Never place containers filled with water on top of the refrigerator, otherwise this may cause electric shock or fire.
- Do not overload your refrigerator with excessive amounts of food. If overloaded, the food items may fall down and hurt you and damage refrigerator when you open the door. Never place objects on top of the refrigerator; otherwise, these objects may fall down when you open or close the refrigerator's door.



- As they require a precise temperature, vaccines, heat-sensitive medicine and scientific materials and etc. should not be kept in the refrigerator.
- If not to be used for a long time, refrigerator should be unplugged. A possible problem in power cable may cause fire.
- The plug's tip should be regularly cleaned; otherwise, it may cause fire.
- Refrigerator may move if adjustable legs are not properly secured on the floor. Properly securing adjustable legs on the floor can prevent the refrigerator to move.
- When carrying the refrigerator, do not hold it from door handle. Otherwise, it may be snapped.
- When you have to place your product next to another refrigerator or freezer, the distance between devices should be at least 8cm. Otherwise, adjacent side walls may be humidified.

## **For products with a water dispenser;**

Pressure of water mains should be minimum 1 bar. Pressure of water mains should be maximum 8 bars.

- Use only potable water.

## **Child safety**

- If the door has a lock, the key should be kept away from reach of children.
- Children must be supervised to prevent them from tampering with the product.

## **HCA Warning**

### **If your product's cooling system contains R600a:**

This gas is flammable. Therefore, pay attention to not damaging the cooling system and piping during usage and transportation. In the event of damage, keep your product away from potential fire sources that can cause the product catch a fire and ventilate the room in which the unit is placed.

### **Ignore this warning if your product's cooling system contains R134a.**

Type of gas used in the product is stated in the type plate which is on the left wall inside the refrigerator.

Never throw the product in fire for disposal.



## Things to be done for energy saving

- Do not leave the doors of your refrigerator open for a long time.
- Do not put hot food or drinks in your refrigerator.
- Do not overload your refrigerator so that the air circulation inside of it is not prevented.
- Do not install your refrigerator under direct sunlight or near heat emitting appliances such as ovens, dishwashers or radiators.
- Pay attention to keep your food in closed containers.
- For products with a freezer compartment; You can store maximum amount of food items in the freezer when you remove the shelf or drawer of the freezer. Energy consumption value stated for your refrigerator has been determined by removing freezer shelf or drawer and under maximum load. There is no harm to use a shelf or drawer according to the shapes and size of food to be frozen.
- Thawing frozen food in fridge compartment will both provide energy saving and preserve the food quality.

### 3 Installation

---

- ❗ Please remember that the manufacturer shall not be held liable if the information given in the instruction manual is not observed.

#### Preparation

- Your refrigerator should be installed at least 30 cm away from heat sources such as hobs, ovens, central heater and stoves and at least 5 cm away from electrical ovens and should not be located under direct sunlight.
- The ambient temperature of the room where you install your refrigerator should at least be 10°C. Operating your refrigerator under cooler conditions than this is not recommended with regard to its efficiency.
- Please make sure that the interior of your refrigerator is cleaned thoroughly.
- If two refrigerators are to be installed side by side, there should be at least 2 cm distance between them.
- Original packaging and foam materials should be kept for future transportations or moving.

#### Points to be considered when re-transporting your refrigerator

1. Your refrigerator must be emptied and cleaned prior to any transportation.
2. Shelves, accessories, crisper and etc. in your refrigerator must be fastened securely by adhesive tape against any jolt before repackaging.

3. Packaging must be tied with thick tapes and strong ropes and the rules of transportation printed on the package must be followed.

#### Please remember...

Every recycled material is an indispensable source for the nature and for our national resources.

If you wish to contribute to recycling the packaging materials, you can get further information from the environmental bodies or local authorities.

#### Before operating your refrigerator

Before starting to use your refrigerator check the following:

- 1- Is the interior of the refrigerator dry and can the air circulate freely in the rear of it?
- 2- Clean the interior of the refrigerator as recommended in the “Maintenance and cleaning” section.
- 3- Plug the refrigerator into the wall outlet. When the door is open the respective interior light will come on.
- 4- You will hear a noise as the compressor starts up. The liquid and gases sealed within the refrigeration system may also give rise to noise, even if the compressor is not running and this is quite normal. Due to the operation of fans inside the appliance, overall noise level is slightly higher in comparison to non-frost free appliances. This is quite normal and is not a fault.
- 5- Front edges of the refrigerator may feel warm. This is normal. These areas are designed to be warm to avoid condensation.

## Adjusting the legs


If your refrigerator is unbalanced; You can balance your refrigerator by turning the front legs of it as illustrated in the figure. The corner where the leg exists is lowered when you turn in the direction of black arrow and raised when you turn in the opposite direction. Taking help from someone to slightly lift the refrigerator will facilitate this process.


## Electrical connection

Connect your refrigerator to a grounded socket which is being protected by a fuse with the appropriate capacity.

Important:

- The connection must be in compliance with national regulations.
- The power cable plug must be easily accessible after installation.
- Voltage and permitted fuse protection are indicated in the “Specifications” section.
- The specified voltage must be equal to your mains voltage.
- Extension cables and multiway plugs must not be used for connection.

 A damaged power cable must be replaced by a qualified electrician.

 The appliance must not be operated before it is repaired! There is danger of electric shock!

## **Initial startup**

- When you operate your refrigerator for the first time, please observe the following instructions during the initial six hours.
  - Temperature adjustment button should not be turned off.
  - The door should not be opened frequently.
  - It must be operated empty without any food in it.
  - Do not unplug your refrigerator; if a power failure occurs out of your control, please see the warnings in the "Recommended solutions for the problems" section.

## **Disposing of the packaging**

The packing materials may be dangerous for children. Keep the packing materials out of the reach of children or dispose them of by classifying them in accordance with the waste instructions. Do not dispose them of along with the normal household waste.

The packing of your refrigerator is produced from recyclable materials.

## **Disposing of your old refrigerator**

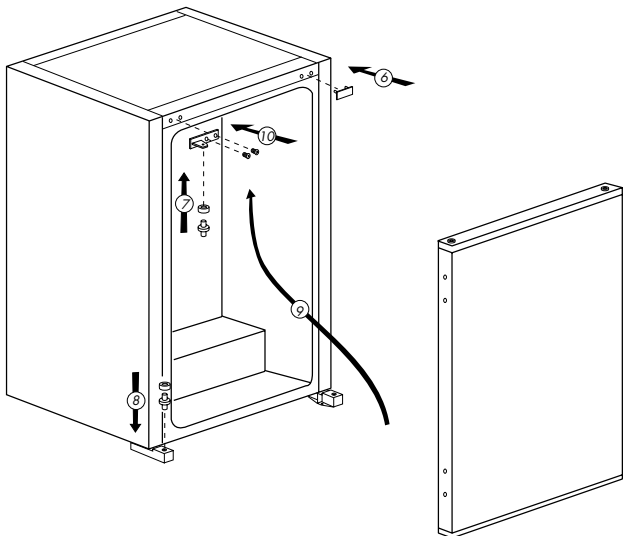
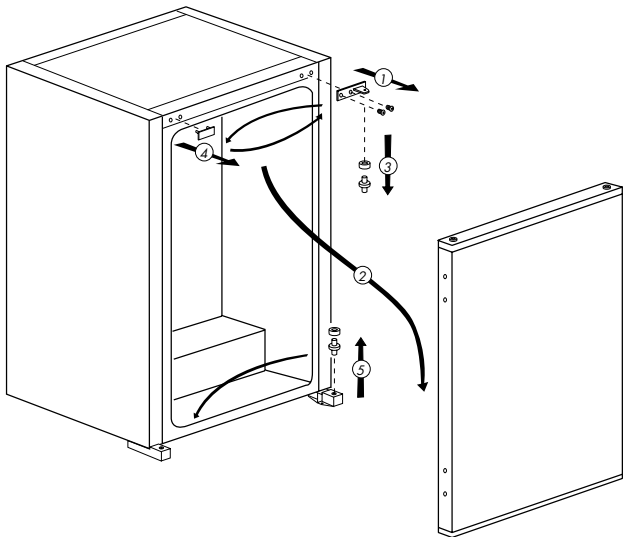
Dispose of your old machine without giving any harm to the environment.

- You may consult your authorized dealer or waste collection center of your municipality about the disposal of your refrigerator.

Before disposing of your refrigerator, cut out the electric plug and, if there are any locks on the door, make them inoperable in order to protect children against any danger.

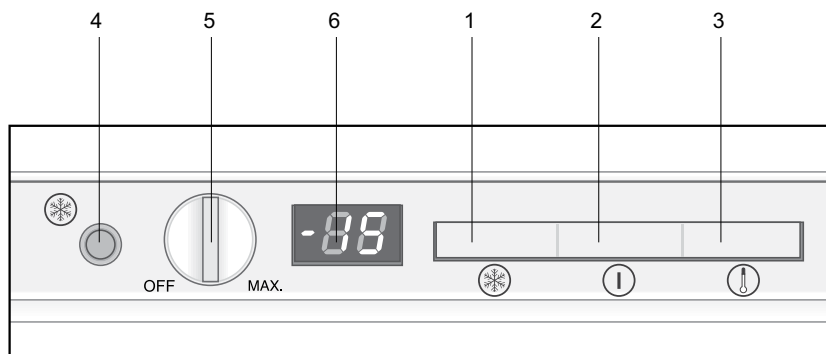
# Reversing the doors

Proceed in numerical order



## 4 Using your refrigerator

### LED indicators and control panel



#### Amber Indicator (1)

Illuminates when the fast-freeze switch (4) is turned on and stays on for maximum 32 hours or until the fast freeze button is turned off. Fast-freeze operation is for freezing fresh food (see Freezing Fresh Food section).

#### Green Indicator (2)

Illuminates when the appliance is connected to the mains and will glow as long as there is electricity present. The green indicator does not give any indication of the temperature inside the freezer.

#### Red Indicator (3)

Illuminates

- When the internal temperature rises above  $-5^{\circ}\text{C}$ . (The light turns off when the temperature cools down to  $-9^{\circ}\text{C}$ )
- If the appliance is overloaded with fresh food.
- If the appliance door is left open accidentally.

Note: Red indicator light has a built-in delay.

Once the appliance is energized red indicator light will not illuminate for 24 hours.

#### Thermostat knob (5)

The thermostat knob is located on the indicator light frame.

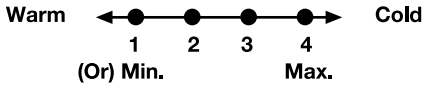
Important:

When you press the fast-freeze switch or adjust the set temperature, there may be a short delay before the compressor starts to operate. This is normal and not a compressor fault.

E0 blinks on display if there is a freezer sensor failure.

## Setting the operating temperature

The operating temperature is regulated by the temperature control.



1 = Lowest cooling setting (Warmest setting)

4 = Highest cooling setting (Coldest setting)

(Or)

Min. = Lowest cooling setting (Warmest setting)

Max. = Highest cooling setting (Coldest setting)

Please choose the setting according to the desired temperature.

The interior temperature also depends on ambient temperature, the frequency with which the door is opened and the amount of food kept inside.

Frequently opening the door causes the interior temperature to rise.

For this reason, it is recommended to close the door again as soon as possible after use.

The normal storage temperature of your appliance should be  $-18^{\circ}\text{C}$  ( $0^{\circ}\text{F}$ ). If the thermostat knob is turned counter clockwise from position 1, the appliance will be switched off and “click” sound will be heard. Lower

temperatures can be obtained by adjusting the thermostat knob towards Position 4.

We recommend checking the temperature with a thermometer to ensure that the storage compartments are kept to the desired temperature. Remember at take the reading immediately since the thermometer temperature will rise very rapidly after you remove it from the freezer.

### Freezing food

The freezing area is marked with symbol on the door liner.

You can use the appliance for freezing fresh food as well as for storing pre-frozen food.

Please refer to the recommendations given on the packaging of your food.

### Attention

Do not freeze fizzy drinks, as the bottle may burst when the liquid in it is frozen.

Be careful with frozen products such as coloured ice-cubes.

Do not exceed the freezing capacity of your appliance in 24 hours. See the rating label.

In order to maintain the quality of the food, the freezing must be effected as rapidly as possible.

Thus, the freezing capacity will not be exceeded, and the temperature inside the freezer will not rise.

### Attention

Keep the already deep-frozen food always separated with freshly placed food.

When deep-freezing hot food, the cooling compressor will work until the food is completely frozen. This can temporarily cause excessive cooling of the refrigeration compartment.

If you find the freezer door difficult to open just after you have closed it, don't worry. This is due to the pressure difference which will equalize and allow the door to open normally after a few minutes.

You will hear a vacuum sound just after closing the door. This is quite normal.

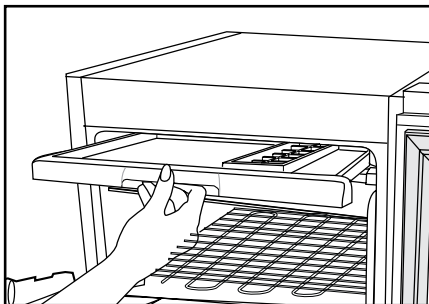
### **Making ice cubes**

Fill the ice-cube tray 3/4 full with water and place it in the freezer.

As soon as the water has turned into ice, you can take out the ice cubes.

Never use sharp objects such as knives or forks to remove the ice cubes. There is a risk of injury!

Let the ice cubes slightly thaw instead, or put the bottom of the tray in hot water for a short moment.



### **Fast freeze**

If large amounts of fresh food are going to be frozen, push the fast freeze switch 24 hours before putting the fresh food in the fast freeze compartment.

It is strongly recommended to keep fast freeze switch on 24 hours to freeze maximum amount of fresh food declared as freezing capacity. Take special care not to mix frozen food and fresh food.

### **Defrosting of the appliance**

Excessive build-up of ice will affect the freezing performance of your appliance.

It is therefore recommended that you defrost your appliance at least twice a year, or whenever the ice build-up exceeds 7 mm.

Defrost your appliance when there is only little or no food in it.

Take out the deep-frozen food from the drawers. Wrap the deep-frozen food in several layers of paper, or a blanket, and keep it in a cold place.

Unplug the appliance or switch off the circuit breaker to start the defrosting process.

Take out the accessories (like shelf, drawer etc.) from the appliance and use a suitable container to collect the thawing water.



Use a sponge or a soft cloth to remove thawing water if necessary

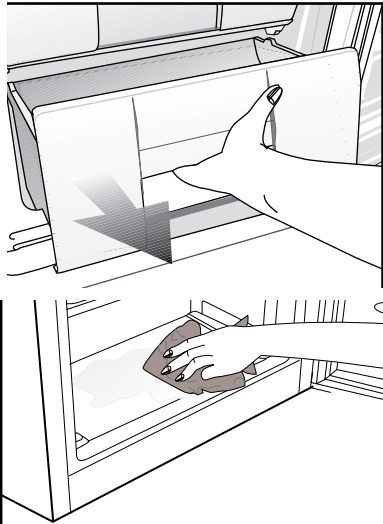
Keep the door open during defrosting.

For quicker defrosting, place containers with warm water inside the appliance.

Never use electrical devices, defrosting sprays or pointed or sharp-edged objects such as knives or forks to remove the ice.

After the defrosting is done, clean the inside (see the section 'Cleaning and care').

Reconnect the appliance to the mains. Place the frozen food into the drawers and slide the drawers into the freezer.



## 5 Maintenance and cleaning

---

- ⚠ Never use gasoline, benzene or similar substances for cleaning purposes.
- ⚠ We recommend that you unplug the appliance before cleaning.
- ❗ Never use any sharp abrasive instrument, soap, household cleaner, detergent and wax polish for cleaning.
- ❗ Use lukewarm water to clean the cabinet of your refrigerator and wipe it dry.
- ❗ Use a damp cloth wrung out in a solution of one teaspoon of bicarbonate of soda to one pint of water to clean the interior and wipe it dry.
- ⚠ Make sure that no water enters the lamp housing and other electrical items.
- ⚠ If your refrigerator is not going to be used for a long period of time, unplug the power cable, remove all food, clean it and leave the door ajar.
- ❗ Check door seals regularly to ensure they are clean and free from food particles.
- ❗ To remove door racks, remove all the contents and then simply push the door rack upwards from the base.

### Protection of plastic surfaces

- ❗ Do not put the liquid oils or oil-cooked meals in your refrigerator in unsealed containers as they damage the plastic surfaces of your refrigerator. In case of spilling or smearing oil on the plastic surfaces, clean and rinse the relevant part of the surface at once with warm water.

## 6 Recommended solutions for the problems

Please review this list before calling the service. It might save you time and money. This list includes frequent complaints that are not arising from defective workmanship or material usage. Some of the features described here may not exist in your product.

The refrigerator does not operate.
<ul style="list-style-type: none"><li>• Is the refrigerator properly plugged in? Insert the plug to the wall socket.</li><li>• Is the fuse of the socket which your refrigerator is connected to or the main fuse blown out? Check the fuse.</li></ul>
Condensation on the side wall of the fridge compartment (MULTIZONE, COOL CONTROL and FLEXI ZONE).
<ul style="list-style-type: none"><li>• Very cold ambient conditions. Frequent opening and closing of the door. Highly humid ambient conditions. Storage of food containing liquid in open containers. Leaving the door ajar. Switching the thermostat to a colder degree.</li><li>• Decreasing the time the door left open or using it less frequently.</li><li>• Covering the food stored in open containers with a suitable material.</li><li>• Wipe the condensation using a dry cloth and check if it persists.</li></ul>
Compressor is not running
<ul style="list-style-type: none"><li>• Protective thermic of the compressor will blow out during sudden power failures or plug-out plug-ins as the refrigerant pressure in the cooling system of the refrigerator has not been balanced yet. Your refrigerator will start running approximately after 6 minutes. Please call the service if the refrigerator does not startup at the end of this period.</li><li>• The fridge is in defrost cycle. This is normal for a full-automatically defrosting refrigerator. Defrosting cycle occurs periodically.</li><li>• Your refrigerator is not plugged into the socket. Make sure that the plug is properly fit into the socket.</li><li>• Are the temperature adjustments correctly made?</li><li>• Power might be cut off.</li></ul>
The fridge is running frequently or for a long time.

- Your new product may be wider than the previous one. This is quite normal. Large refrigerators operate for a longer period of time.
- The ambient room temperature may be high. This is quite normal.
- The refrigerator might have been plugged in recently or might have been loaded with food. Cooling down of the refrigerator completely may last for a couple of hours longer.
- Large amounts of hot food might have been put in the refrigerator recently. Hot food causes longer running of the refrigerator until they reach the safe storage temperature.
- Doors might have been opened frequently or left ajar for a long time. The warm air that has entered into the refrigerator causes the refrigerator to run for longer periods. Open the doors less frequently.
- Freezer or fridge compartment door might have been left ajar. Check if the doors are tightly closed.
- The refrigerator is adjusted to a very low temperature. Adjust the refrigerator temperature to a warmer degree and wait until the temperature is achieved.
- Door seal of the fridge or freezer may be soiled, worn out, broken or not properly seated. Clean or replace the seal. Damaged/broken seal causes the refrigerator to run for a longer period of time in order to maintain the current temperature.

Freezer temperature is very low while the fridge temperature is sufficient.

- The freezer temperature is adjusted to a very low temperature. Adjust the freezer temperature to a warmer degree and check.

Fridge temperature is very low while the freezer temperature is sufficient.

- The fridge temperature might have been adjusted to a very low temperature. Adjust the fridge temperature to a warmer degree and check.

Food kept in the fridge compartment drawers are freezing.

- The fridge temperature might have been adjusted to a very low temperature. Adjust the fridge temperature to a warmer degree and check.

Temperature in the fridge or freezer is very high.

- The fridge temperature might have been adjusted to a very high degree. Fridge adjustment has an effect on the temperature of the freezer. Change the temperature of the fridge or freezer until the fridge or freezer temperature reaches to a sufficient level.
- Doors might have been opened frequently or left ajar for a long time; open them less frequently.
- Door might have been left ajar; close the door completely.
- Large amount of hot food might have been put in the refrigerator recently. Wait until the fridge or freezer reaches the desired temperature.
- The refrigerator might have been plugged in recently. Cooling down of the refrigerator completely takes time.

The operation noise increases when the refrigerator is running.

- The operating performance of the refrigerator may change due to the changes in the ambient temperature. It is normal and not a fault.

#### Vibrations or noise.

- The floor is not even or it is weak. The refrigerator rocks when moved slowly. Make sure that the floor is strong enough to carry the refrigerator, and level.
- The noise may be caused by the items put onto the refrigerator. Items on top of the refrigerator should be removed.

#### There are noises coming from the refrigerator like liquid spilling or spraying.

- Liquid and gas flows happen in accordance with the operating principles of your refrigerator. It is normal and not a fault.

#### There is a noise like wind blowing.

- Fans are used in order to cool the refrigerator. It is normal and not a fault.

#### Condensation on the inner walls of refrigerator.

- Hot and humid weather increases icing and condensation. It is normal and not a fault.
- Doors might have been left ajar; make sure that the doors are closed fully.
- Doors might have been opened frequently or left ajar for a long time; open them less frequently.

#### Humidity occurs on the outside of the refrigerator or between the doors.

- There might be humidity in the air; this is quite normal in humid weather. When the humidity is less, condensation will disappear.

#### Bad odor inside the refrigerator.

- Inside of the refrigerator must be cleaned. Clean the inside of the refrigerator with a sponge, lukewarm water or carbonated water.
- Some containers or package materials might cause the smell. Use a different container or different brand packaging material.

#### The door is not closing.

- Food packages may prevent the door's closing. Replace the packages that are obstructing the door.
- The refrigerator is not completely upright on the floor and rocking when slightly moved. Adjust the elevation screws.
- The floor is not level or strong. Make sure that the floor is level and capable to carry the refrigerator.

#### Crispers are stuck.

- The food might be touching the ceiling of the drawer. Rearrange food in the drawer.

## **Veillez d'abord lire la notice d'utilisation !**

Chère cliente, cher client,

Nous espérons que votre produit, qui a été fabriqué dans des usines modernes et vérifié au terme des procédures de contrôle de qualité les plus méticuleuses, vous aidera efficacement.

Pour cette raison, nous vous conseillons de lire attentivement tout le manuel d'utilisation de votre produit avant de vous en servir, et de le conserver ensuite pour une utilisation ultérieure.


### **Le présent manuel**

- vous aidera à utiliser votre produit avec rapidité et sécurité.
  - Lisez le manuel avant d'installer et de faire fonctionner votre produit.
  - Respectez les instructions, notamment celles relatives à la sécurité.
  - Conservez ce manuel dans un endroit facilement accessible car vous pouvez en avoir besoin ultérieurement.
  - En plus, lisez également les autres documents fournis avec votre produit.
- Veillez noter que ce manuel peut également être valide pour d'autres modèles.

### **Symboles et descriptions**

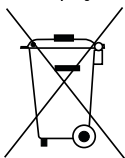
Vous retrouverez les symboles suivants dans le présent manuel :

 Informations importantes ou astuces.

 Avertissement relatif aux conditions dangereuses pour la vie et la propriété.

 Avertissement relatif à la tension électrique.

Recyclage

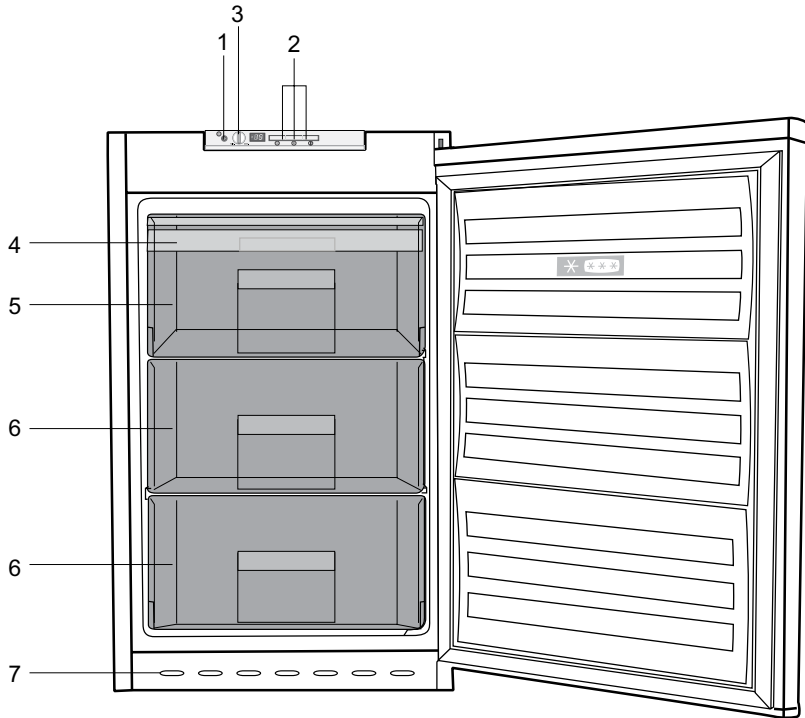


Ce produit est marqué du symbole du tri sélectif, relatif aux déchets d'équipements électriques et électroniques. Cela signifie que ce produit doit être pris en charge par un système de collecte sélectif conformément à la directive européenne 2002/96/CE, afin de pouvoir être recyclé ou démantelé dans le but de réduire tout impact sur l'environnement. Attention les produits électroniques n'ayant pas fait l'objet d'un tri sélectif sont potentiellement dangereux pour l'environnement et la santé humaine en raison de la présence potentielle de substances dangereuses.

## Table des matières

<b>1 Votre réfrigérateur</b>	<b>3</b>	Réversibilité des portes	10
<b>2 Précautions importantes pour votre sécurité</b>	<b>4</b>	<b>4 Utilisation de votre réfrigérateur</b>	<b>11</b>
Utilisation prévue	4	Voyants DEL et bandeau de commande	11
Pour les appareils dotés d'une fontaine à eau ;	6	Réglage de la température de fonctionnement	12
Sécurité enfants	6	<b>5 Entretien et nettoyage</b>	<b>15</b>
Avertissement HCA	6	Protection des surfaces en plastique.	15
Mesures d'économie d'énergie	6	<b>6 Solutions recommandées aux problèmes</b>	<b>16</b>
<b>3 Installation</b>	<b>7</b>		
Préparation	7		
Points à prendre en compte lorsque vous transportez à nouveau votre produit.	7		
Avant de faire fonctionner votre réfrigérateur	8		
Réglage des pieds	8		
Branchement électrique	8		
Première mise en service	9		
Mise au rebut de l'emballage	9		
Mise au rebut de votre ancien réfrigérateur	9		

# 1 Votre réfrigérateur



1. Touche de congélation rapide
2. Voyants lumineux
3. Commande du thermostat
4. Bac à glaçons
5. Compartiment de congélation rapide
6. Compartiments des denrées congelées
7. Grille d'aération

**i** Les illustrations présentées dans cette notice d'utilisation sont schématiques et peuvent ne pas correspondre exactement à votre produit. Si des pièces présentées ne sont pas comprises dans le produit que vous avez acheté, elles sont valables pour d'autres modèles.



## 2 Précautions importantes pour votre sécurité

Veillez examiner les informations suivantes : Le non respect de ces consignes peut entraîner des blessures ou dommages matériels. Sinon, tout engagement lié à la garantie et à la fiabilité du produit devient invalide.

La durée de vie du produit que vous avez acheté est de 10 ans. Il s'agit ici de la période au cours de laquelle vous devez conserver les pièces de rechange nécessaires à son fonctionnement.

### Utilisation prévue

Ce produit est prévu pour une utilisation

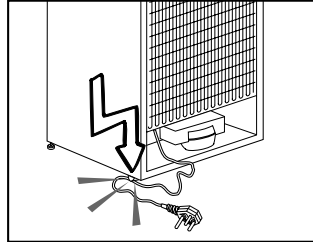
- en intérieur et dans des zones fermées telles que les maisons ;
- dans les environnements de travail fermés, tels que les magasins et les bureaux ;
- dans les lieux d'hébergement fermés, tels que les fermes, hôtels, pensions.
- Cet appareil ne doit pas être utilisé en extérieur.

### Sécurité générale

- Avant de vous débarrasser de votre appareil, veuillez consulter les autorités locales ou votre revendeur pour connaître le mode opératoire et les organismes de collecte agréés.
- Consultez le service après-vente agréé concernant toutes questions ou problèmes relatifs au réfrigérateur. N'intervenez pas ou ne laissez personne intervenir sur le réfrigérateur sans le communiquer au service après-vente agréé.
- Pour les produits équipés d'un compartiment congélateur : ne mangez pas de cônes de crème glacée ou des glaçons immédiatement après les avoir sortis du compartiment de congélation ! (Cela pourrait provoquer des engelures dans votre bouche).
- Pour les produits équipés d'un compartiment congélateur : ne placez pas de boissons en bouteille ou en cannette dans le compartiment de congélation. Cela peut entraîner leur éclatement.
- Ne touchez pas des produits congelés avec les mains, ils pourraient se coller à celles-ci.
- Débranchez votre réfrigérateur avant de le nettoyer ou de le dégivrer.
- La vapeur et des matériaux de nettoyage pulvérisés ne doivent jamais être utilisés pour les processus de nettoyage ou de dégivrage de votre réfrigérateur. La vapeur pourrait pénétrer dans les pièces électriques et provoquer des courts-circuits ou des électrocutions.
- Ne jamais utiliser les pièces de votre réfrigérateur telles que la porte, comme un support ou une marche.
- N'utilisez pas d'appareils électriques à l'intérieur du réfrigérateur.
- N'endommagez pas les pièces où circule le liquide réfrigérant avec des outils de forage ou coupants. Le liquide réfrigérant qui pourrait s'échapper si les canalisations de gaz de l'évaporateur, les rallonges de tuyau ou les revêtements de surface étaient percés, peut irriter la peau et provoquer des blessures aux yeux.
- Ne pas couvrir ou obstruer les orifices de ventilation du réfrigérateur.
- Les appareils électriques peuvent être réparés seulement par des personnes autorisées. Les réparations réalisées par des personnes ne présentant pas les compétences requises peuvent présenter un risque pour l'utilisateur.
- En cas de dysfonctionnement ou lors d'opérations d'entretien ou de réparation, débranchez l'alimentation électrique du réfrigérateur soit en désactivant le fusible correspondant, soit en débranchant l'appareil.
- Ne tirez pas sur le câble lorsque vous débranchez la prise.
- Placez les boissons alcoolisées verticalement, dans des récipients convenablement fermés.
- Ne conservez jamais des aérosols contenant des substances inflammables et explosives dans le réfrigérateur.

- N'utilisez pas d'outils mécaniques ou autres dispositifs pour accélérer le processus de décongélation autres que ceux qui sont recommandés par le fabricant.
- Ce produit n'est pas conçu pour être utilisé par des personnes (enfants compris) souffrant de déficience physique, sensorielle, mentale, ou inexpérimentées, à moins d'avoir obtenu une autorisation auprès des personnes responsables de leur sécurité.
- Ne faites pas fonctionner un réfrigérateur endommagé. Consultez le service agréé en cas de problème.
- La sécurité électrique du réfrigérateur n'est assurée que si le système de mise à la terre de votre domicile est conforme aux normes en vigueur.
- L'exposition du produit à la pluie, la neige, au soleil ou au vent présente des risques concernant la sécurité électrique.
- Contactez le service agréé quand un câble d'alimentation est endommagé pour éviter tout danger.
- Ne branchez jamais le réfrigérateur à la prise murale au cours de l'installation. Vous vous exposeriez à un risque de mort ou à de blessures graves.
- Ce réfrigérateur est conçu seulement pour conserver des aliments. Par conséquent, il ne doit pas être utilisé à d'autres fins.
- L'étiquette avec les caractéristiques techniques est située sur le mur gauche à l'intérieur du réfrigérateur.
- Ne branchez jamais votre réfrigérateur à des systèmes d'économie d'énergie, cela peut l'endommager.
- S'il y a une lumière bleue sur le réfrigérateur, ne la regardez pas avec des outils optiques.
- Pour les réfrigérateurs contrôlés manuellement, attendez au moins 5 minutes pour allumer le réfrigérateur après une coupure de courant.
- Si cet appareil venait à changer de propriétaire, n'oubliez pas de remettre la présente notice d'utilisation au nouveau bénéficiaire.
- Evitez d'endommager le câble d'alimentation quand vous transportez le

réfrigérateur. Tordre le câble peut entraîner un incendie. Ne placez jamais d'objets lourds sur le câble d'alimentation. Évitez de toucher à la prise avec des mains mouillées au moment de brancher l'appareil.



- Évitez de brancher le réfrigérateur lorsque la prise de courant électrique a lâché.
- Pour des raisons d'ordre sécuritaire, évitez de vaporiser directement de l'eau sur les parties externes et internes du réfrigérateur.
- Ne pulvérisez pas de substances contenant des gaz inflammables comme du propane près du réfrigérateur pour éviter tout risque d'incendie et d'explosion.
- Ne placez jamais de récipients pleins d'eau en haut du réfrigérateur, ils pourraient causer des chocs électriques ou incendie.
- Ne surchargez pas votre réfrigérateur avec des quantités de nourriture excessives. S'il est surchargé, les aliments peuvent tomber, vous blesser et endommager le réfrigérateur quand vous ouvrez la porte. Ne placez jamais d'objets au-dessus du réfrigérateur, ils pourraient tomber quand vous ouvrez ou fermez la porte du réfrigérateur.
- Les produits qui nécessitent un contrôle de température précis (vaccin, médicament sensible à la chaleur, matériels scientifiques, etc.) ne doivent pas être conservés dans le réfrigérateur.
- Si le réfrigérateur n'est pas utilisé pendant longtemps, il doit être débranché. Un problème avec le câble d'alimentation pourrait causer un incendie.
- Le bout de la prise électrique doit être nettoyé régulièrement, sinon il peut provoquer un incendie.

- Le réfrigérateur peut bouger si ses pieds réglables ne sont pas bien fixés sur le sol. Bien fixer les pieds réglables sur le sol peut empêcher le réfrigérateur de bouger.
- Quand vous transportez le réfrigérateur, ne le tenez pas par la poignée de la porte. Cela peut le casser.
- Quand vous devez placer votre produit près d'un autre réfrigérateur ou congélateur, la distance entre les appareils doit être d'au moins 8 cm. Sinon, les murs adjacents peuvent être humidifiés.

## **Pour les appareils dotés d'une fontaine à eau ;**

La pression de l'alimentation en eau doit être au minimum de 1 bar. La pression de l'alimentation en eau doit être au maximum de 8 bars.

- Utilisez uniquement de l'eau potable.

## **Sécurité enfants**

- Si la porte a un verrouillage, la clé doit rester hors de portée des enfants.
- Les enfants doivent être surveillés et empêchés de s'amuser avec le produit.

## **Avertissement HCA**

### **Si le système de refroidissement de votre appareil contient R600a:**

Ce gaz est inflammable. Par conséquent, veuillez prendre garde à ne pas endommager le système de refroidissement et les tuyauteries lors de son utilisation ou de son transport. En cas de dommages, éloignez votre produit de toute source potentielle de flammes susceptible de provoquer l'incendie de l'appareil. De même, placez le produit dans une pièce aérée.

### **Ne tenez pas compte de cet avertissement si le système de refroidissement de votre appareil contient R134a.**

Le type de gaz utilisé dans l'appareil est mentionné sur la plaque signalétique située sur le mur gauche à l'intérieur du réfrigérateur.

Ne jetez jamais l'appareil au feu pour vous en débarrasser.

## **Mesures d'économie d'énergie**

- Ne laissez pas les portes du réfrigérateur ouvertes pendant une durée prolongée.
- N'introduisez pas de denrées ou de boissons chaudes dans le réfrigérateur.
- Ne surchargez pas le réfrigérateur pour ne pas obstruer la circulation d'air à l'intérieur.
- N'installez pas le réfrigérateur à la lumière directe du soleil ou près d'appareil émettant de la chaleur tels qu'un four, un lave-vaisselle ou un radiateur.
- Veillez à conserver vos denrées dans des récipients fermés.
- Pour les produits équipés d'un compartiment congélateur : vous pouvez conserver une quantité maximale d'aliments dans le congélateur quand vous enlevez l'étagère ou le tiroir du congélateur. La consommation d'énergie précisée pour votre réfrigérateur a été déterminée en enlevant l'étagère ou le tiroir du congélateur et avec la charge maximale. Il n'y a aucun risque à utiliser une étagère ou un tiroir en fonction des formes et tailles des denrées à congeler.
- La décongélation des aliments dans le compartiment réfrigérateur permet de faire des économies d'énergie et de préserver la qualité des aliments.

## 3 Installation

- ⓘ Veuillez noter que le fabricant ne pourra être tenu responsable si les informations fournies dans cette notice d'utilisation ne sont pas respectées.

### Préparation

- Votre réfrigérateur doit être installé à au moins 30 cm des sources de chaleur telles que les plaques de cuisson, les fours, appareils de chauffage ou cuisinières, et à au moins 5 cm des fours électriques. De même, il ne doit pas être exposé à la lumière directe du soleil.
- La température ambiante de la pièce où vous installez le réfrigérateur doit être d'au moins 10°C. Faire fonctionner l'appareil sous des températures inférieures n'est pas recommandé et pourrait nuire à son efficacité.
- Veuillez vous assurer que l'intérieur de votre appareil est soigneusement nettoyé.
- Si deux réfrigérateurs sont installés côte à côte, ils doivent être séparés par au moins 2 cm.
- L'emballage et les matériaux de protection d'emballage doivent être conservés pour les éventuels transports ou déplacements à venir.

### Points à prendre en compte lorsque vous transportez à nouveau votre produit.

1. Le réfrigérateur doit être vidé et nettoyé avant tout transport.
2. Les clayettes, accessoires, bac à légumes, etc. de votre réfrigérateur doivent être fixés solidement avec de la bande adhésive avant de remballer l'appareil, pour le protéger en cas de chocs.
3. L'emballage doit être fixé avec une bande adhésive forte et des cordes solides, et les normes de transport indiquées sur l'emballage doivent être appliquées.

### Rappelez-vous...

Chaque matériau recyclé est une participation indispensable à la préservation de la nature et conservation de nos ressources nationales.

Si vous souhaitez contribuer à recycler les matériaux d'emballage, vous pouvez obtenir des informations supplémentaires auprès des organismes environnementaux ou des autorités locales.

## Avant de faire fonctionner votre réfrigérateur

Avant de commencer à faire fonctionner votre réfrigérateur, vérifiez les points suivants :

- 1- L'intérieur du réfrigérateur est sec et l'air peut circuler librement à l'arrière?
- 2- Nettoyez l'intérieur du réfrigérateur tel qu'indiqué dans la section « Entretien et nettoyage ».
- 3- Branchez le réfrigérateur dans la prise murale. Lorsque la porte est ouverte, l'éclairage intérieur correspondant s'allumera.
- 4- Vous remarquerez un bruit lorsque le compresseur se met en marche. Le liquide et les gaz intégrés au système du réfrigérateur peuvent également faire du bruit, que le compresseur soit en marche ou non. Ceci est tout à fait normal. En raison du fonctionnement des ventilateurs à l'intérieur de l'appareil, le niveau de bruit total est légèrement supérieur à celui des appareils qui ne sont pas Non Frost. Ce phénomène est tout à fait normal et ne constitue pas un défaut.
- 5- Les parties antérieures du réfrigérateur peuvent chauffer. Ce phénomène est normal. Ces zones doivent en principe être chaudes pour éviter tout risque de condensation.

## Réglage des pieds

Si le réfrigérateur n'est pas stable.

Vous pouvez équilibrer le réfrigérateur en tournant les pieds avant, tel qu'illustré dans le schéma. Le côté où se trouve le pied s'abaisse lorsque vous tournez dans le sens de la flèche noire, et s'élève lorsque vous tournez dans le sens opposé. Si vous vous faites aider par quelqu'un pour légèrement soulever le réfrigérateur, l'opération s'en trouvera simplifiée.

## Branchement électrique

Branchez votre réfrigérateur à une prise de mise à la terre protégée par un fusible ayant une capacité appropriée.

Important :

- Le branchement doit être conforme aux normes en vigueur sur le territoire national.
  - La fiche de câble d'alimentation doit être facilement accessible après installation.
  - La tension et la protection du fusible autorisé sont spécifiées dans la section « Caractéristiques techniques ».
  - La tension spécifiée doit être égale à votre tension de secteur.
  - Les rallonges et prises multivoies ne doivent pas être utilisés pour brancher l'appareil.
- ⚠ Un câble d'alimentation endommagé doit être remplacé par un électricien qualifié.
- ⚠ L'appareil ne doit pas être mis en service avant d'être réparé ! Un risque de choc électrique existe!

## **Première mise en service**

- Lorsque vous faites fonctionner le réfrigérateur pour la première fois, assurez-vous de suivre les instructions suivantes pendant les six premières heures.
  - Le bouton de réglage de la température ne doit pas être placé sur la position OFF.
  - La porte ne doit pas être ouverte fréquemment.
  - Le réfrigérateur doit fonctionner à vide, sans denrées à l'intérieur.
  - Ne débranchez pas votre réfrigérateur si une panne de courant se produit, veuillez vous reporter aux avertissements dans la section « Solutions recommandées aux problèmes ».

## **Mise au rebut de l'emballage**

Les matériaux d'emballage peuvent être dangereux pour les enfants. Tenez les matériaux d'emballage hors de portée des enfants ou débarrassez-vous-en conformément aux consignes sur les déchets. Ne les jetez pas aux côtés des ordures ménagères ordinaires.

L'emballage de votre appareil est produit à partir des matériaux recyclables.

## **Mise au rebut de votre ancien réfrigérateur**

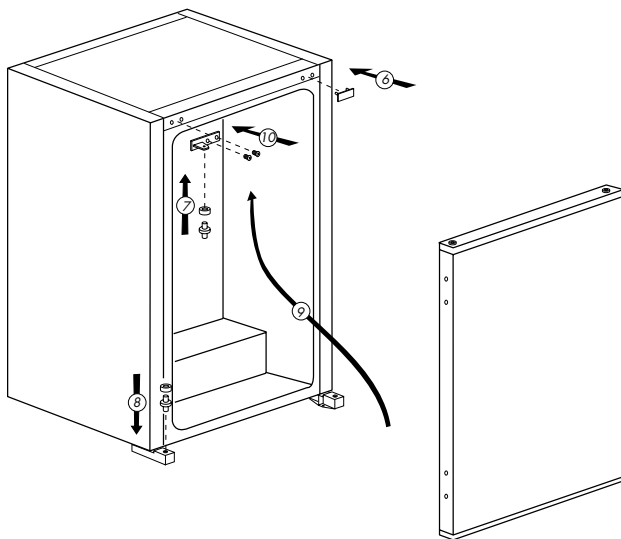
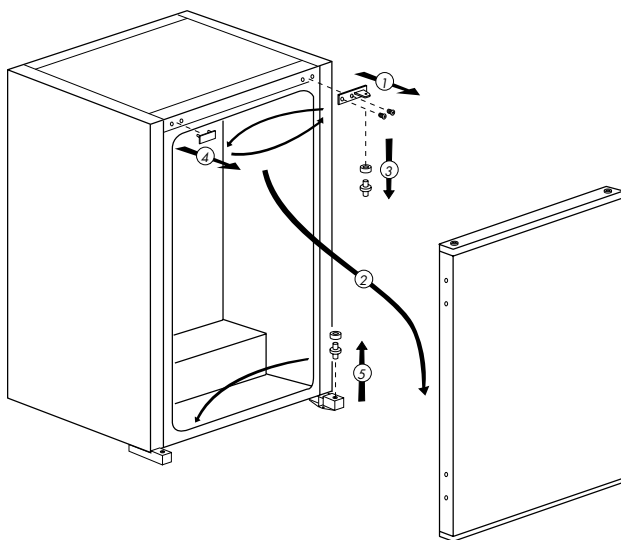
Débarrassez-vous de votre ancien réfrigérateur sans nuire à l'environnement.

- Vous pouvez consulter le service après-vente agréé ou le centre chargé de la mise au rebut dans votre municipalité pour en savoir plus sur la mise au rebut de votre produit.

Avant de procéder à la mise au rebut de votre machine, coupez la prise électrique et, le cas échéant, tout verrouillage susceptible de se trouver sur la porte. Rendez-les inopérants afin de ne pas exposer les enfants à d'éventuels dangers.

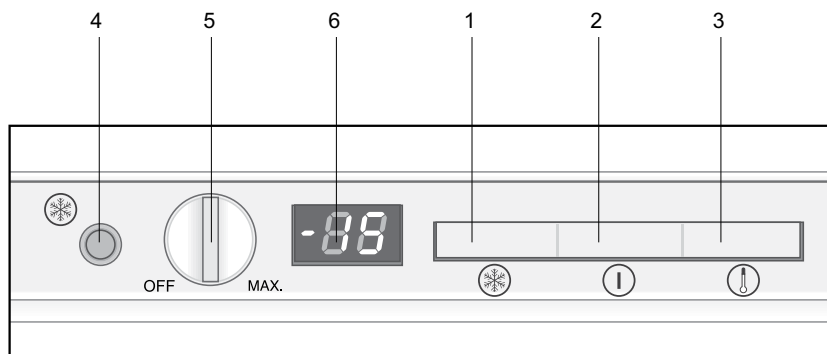
# Réversibilité des portes

Procédez dans l'ordre numérique



## 4 Utilisation de votre réfrigérateur

### Voyants DEL et bandeau de commande



#### Voyant Orange (1)

Il s'allume lorsque la touche de congélation rapide (4) est enclenchée et reste allumé pendant une durée maximale de 32 heures ou jusqu'à ce que le bouton de congélation rapide soit en position arrêt. Le mode congélation rapide est destiné à la congélation des produits frais (voir la section Congélation des Produits Frais).

#### Voyant Vert (2)

Il s'allume lorsque l'appareil est raccordé à l'alimentation électrique et restera allumé tant qu'il y aura du courant. Le voyant vert ne donne aucune indication de température de l'intérieur du congélateur.

#### Voyant Rouge (3)

Il s'allume

- lorsque la température interne monte au-delà de  $-5\text{ }^{\circ}\text{C}$  (le voyant s'éteint lorsque la température atteint  $-9\text{ }^{\circ}\text{C}$ ).
- Si l'appareil est surcharge de produits frais.
- Si la porte de l'appareil est restée ouverte par accident.

Remarque : Le voyant rouge est muni d'un retard incorporé.

À partir du moment où l'appareil est alimenté, le voyant rouge ne s'allumera pas pendant 24 heures.

#### Commande du thermostat (5)

La commande du thermostat se trouve sur le cadre du voyant lumineux.

Important :

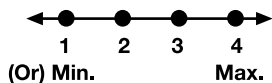
Lorsque vous appuyez sur la touche congélation rapide ou que vous ajustez la température définie, il peut y avoir un bref délai avant que le compresseur se mette en marche. Cela est normal et n'est pas un défaut du compresseur.

E0 clignote à l'écran en cas de panne du capteur de congélation.



## Réglage de la température de fonctionnement

La température de fonctionnement est réglée à l'aide de la commande de température.



1 = Réglage de réfrigération le plus faible (Réglage le plus chaud)

4 = Réglage de réfrigération le plus fort (Réglage le plus froid)

(Ou)

Min. = Réglage de réfrigération le plus faible

(Réglage le plus chaud)

Min. = Réglage de réfrigération le plus fort

(Réglage le plus froid)

Veuillez choisir le réglage en fonction de la température désirée.

La température intérieure est également fonction de la température ambiante, de la fréquence d'ouverture de la porte et de la quantité de denrées stockées à l'intérieur.

Si la porte est ouverte fréquemment, la température intérieure monte.

Pour cette raison, il est recommandé de refermer la porte aussitôt que possible après utilisation.

La température normale de stockage de votre appareil doit être de  $-18^{\circ}\text{C}$  ( $0^{\circ}\text{F}$ ). Lorsque l'on tourne le bouton de commande du thermostat dans le sens inverse des aiguilles d'une montre à partir de la position 1, l'appareil s'éteint avec un déclic. Vous pouvez obtenir des températures plus basses en ajustant la commande du thermostat dans la direction de la Position 4.

Nous vous conseillons de vérifier la température avec un thermomètre pour s'assurer que les compartiments de conservation sont maintenus à la température souhaitée.

Pensez à lire la température sur le thermomètre immédiatement comme elle montera très rapidement après l'avoir sorti du congélateur.

### Congeler les denrées

La zone de congélation est indiquée par le symbole sur la contre-porte.

Vous pouvez utiliser cet appareil pour congeler des denrées fraîches ainsi que pour stocker des denrées surgelées.

Veuillez vous référer aux recommandations indiquées sur l'emballage de votre aliment.

### ⚠ Attention

Ne pas congeler de boissons gazeuses car le liquide congelé peut faire éclater la bouteille.

Soyez prudents avec les produits congelés tels que les glaçons colorés.

Ne dépassez pas le pouvoir de congélation de votre appareil par 24 heures. Se référer à la plaque signalétique.

Afin de préserver la qualité des aliments, la congélation doit être effectuée le plus rapidement possible.

Ainsi, le pouvoir de congélation ne sera pas dépassé et la température à l'intérieur du congélateur ne montera pas.

### ⚠ Attention

Conservez toujours les aliments déjà surgelés séparément des denrées qui viennent d'y être placées.

Lorsque vous surgèlez un aliment chaud, le compresseur de réfrigération fonctionnera tant que l'aliment n'est pas complètement congelé. Cela peut causer un refroidissement excessif temporaire du compartiment réfrigérateur.

Si vous trouvez que la porte du congélateur est difficile à ouvrir juste après l'avoir fermée, ne vous inquiétez pas. Cela est dû à la différence de pression qui va se régulariser et permettra d'ouvrir la porte normalement au bout de quelques minutes.

Vous entendrez un bruit d'aspiration juste après avoir fermé la porte. Ceci est tout à fait normal.

### **Fabrication de glaçons**

Remplissez les bacs à glaçons d'eau jusqu'aux  $\frac{3}{4}$  et introduisez les dans le congélateur.

Dès que l'eau est devenue glace, vous pouvez sortir les glaçons.

N'utilisez jamais d'objets tranchants tels que couteaux ou fourchettes pour démouler les glaçons. Il y a un risque de blessure !

Laissez plutôt les glaçons dégeler légèrement ou bien mettez le fond du bac dans l'eau chaude pendant un petit moment.

### **Congélation rapide**

Si vous vous apprêtez à congeler de grandes quantités de produits frais, appuyez sur le bouton congélation rapide 24 heures avant d'introduire les produits frais dans le compartiment de congélation rapide.

Nous vous recommandons fortement de laisser le bouton de congélation rapide enclenché pendant 24 heures pour congeler le volume maximal de produits frais stipulé de pouvoir de congélation. Prenez particulièrement soin de ne pas mélanger les produits congelés et les produits frais.

### **Dégivrage de l'appareil**

La couche excessive de givre diminue l'efficacité de congélation de votre appareil. Il est donc recommandé de dégivrer votre appareil au moins deux fois par an ou lorsque la couche de givre dépasse 7 mm. Dégivrez votre appareil quand il est peu garni ou vide.

Sortez les denrées surgelées des tiroirs. Enveloppez les denrées surgelées dans plusieurs feuilles de papiers ou dans une couverture et conservez-les dans un endroit frais.

Débranchez l'appareil ou coupez le disjoncteur afin de procéder au dégivrage. Retirez les accessoires (tablette, tiroir, etc.) de l'appareil et utilisez un récipient approprié pour récupérer l'eau de dégivrage.

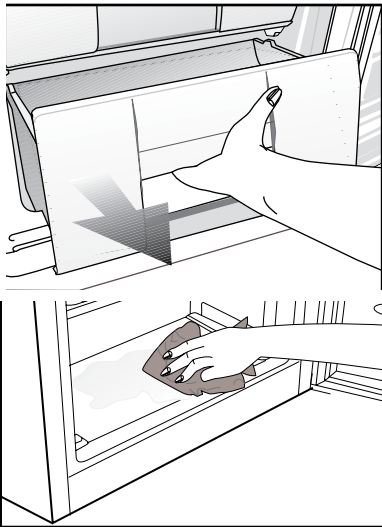
Utilisez une éponge ou un chiffon doux pour éponger l'eau de dégivrage si besoin. Maintenez la porte ouverte pendant le dégivrage.

Pour un dégivrage accéléré, placez des récipients contenant de l'eau chaude à l'intérieur de l'appareil.

N'utilisez jamais d'appareils électriques, bombes de dégivrage ou d'objets tranchants comme des couteaux ou fourchettes pour enlever la glace.

Une fois le dégivrage terminé, nettoyez l'intérieur (voir la section « Nettoyage et entretien »).

Rebranchez l'appareil au réseau électrique. Placez les produits surgelés dans les tiroirs et insérez-les dans le congélateur.



## 5 Entretien et nettoyage

---

- ⚠ N'utilisez jamais d'essence, de benzène ou de matériaux similaires pour le nettoyage.
- ⚠ Nous vous recommandons de débrancher l'appareil avant de procéder au nettoyage.
- ℹ N'utilisez jamais d'ustensiles tranchants, savon, produit de nettoyage domestique, détergent et cirage pour le nettoyage.
- ℹ Utilisez de l'eau tiède pour nettoyer la carrosserie du réfrigérateur et séchez-la soigneusement à l'aide d'un chiffon.
- ℹ Utilisez un chiffon humide imbibé d'une solution composée d'une cuillère à café de bicarbonate de soude pour un demi litre d'eau pour nettoyer l'intérieur et séchez soigneusement.
- ⚠ Prenez soin de ne pas faire couler d'eau dans le logement de la lampe et dans d'autres éléments électriques.
- ⚠ En cas de non utilisation de votre réfrigérateur pendant une période prolongée, débranchez le câble d'alimentation, sortez toutes les denrées, nettoyez-le et laissez la porte entrouverte.
- ℹ Inspectez les joints de porte régulièrement pour vérifier qu'ils sont propres et qu'il n'y a pas de particules de nourriture.
- ℹ Pour retirer les balconnets de portes, sortez tout son contenu puis poussez simplement le balconnet vers le haut à partir de la base.

### Protection des surfaces en plastique.

- Ne placez pas d'huiles ou de plats huileux dans le réfrigérateur dans des récipients non fermés, car les graisses peuvent endommager les surfaces en plastique du réfrigérateur. Si vous versez ou éclaboussez de l'huile sur les surfaces en plastique, nettoyez et lavez les parties souillées avec de l'eau chaude immédiatement.

## 6 Solutions recommandées aux problèmes

Veillez vérifier la liste suivante avant d'appeler le service après-vente. Cela peut vous faire économiser du temps et de l'argent. Cette liste regroupe les problèmes les plus fréquents ne provenant pas d'un défaut de fabrication ou d'utilisation du matériel. Il se peut que certaines des fonctions décrites ne soient pas présentes sur votre produit.

Le réfrigérateur ne fonctionne pas
<ul style="list-style-type: none"><li>• Le réfrigérateur est-il correctement branché ? Insérez la prise dans la prise murale.</li><li>• Est-ce que le fusible ou la douille de raccord du réfrigérateur sont connectés ou est-ce que le fusible principal a sauté ? Vérifiez le fusible.</li></ul>
Condensation sur la paroi intérieure du compartiment réfrigérateur. (MULTI ZONE, COOL CONTROL et FLEXI ZONE)
<ul style="list-style-type: none"><li>• Température ambiante très basse. Ouvertures et fermetures fréquentes de la porte. Humidité ambiante très élevée. Conservation de denrées liquides dans des récipients ouverts. Porte laissée entrouverte.</li><li>• Réglez le thermostat à un niveau de froid supérieur.</li><li>• Réduisez les temps d'ouverture de la porte ou utilisez-la moins fréquemment.</li><li>• Couvrez les denrées dans des récipients ouverts à l'aide d'un matériau adapté.</li><li>• Essuyez la condensation à l'aide d'un tissu sec et vérifiez si elle persiste.</li></ul>
Le compresseur ne fonctionne pas.
<ul style="list-style-type: none"><li>• Le dispositif de protection thermique du compresseur sautera en cas de coupures soudaines du courant ou de débranchement intempestif, en effet la pression du liquide réfrigérant du système de refroidissement ne sera pas équilibrée.</li><li>• Le réfrigérateur recommencera à fonctionner normalement après 6 minutes environ. Veuillez contacter le service après-vente si le réfrigérateur ne redémarre pas après cette période.</li><li>• Le réfrigérateur est en mode de dégivrage. Cela est normal pour un réfrigérateur à dégivrage semi-automatique. Le cycle de dégivrage se déclenche régulièrement.</li><li>• Le réfrigérateur n'est pas branché à la prise. Assurez-vous que la prise est branchée correctement à la prise murale.</li><li>• Les réglages de température sont-ils corrects ? Il y a une panne de courant. Veuillez contacter votre fournisseur d'électricité.</li></ul>
Le réfrigérateur fonctionne fréquemment ou pendant de longues périodes.

- Votre nouveau réfrigérateur est peut être plus large que l'ancien. Ceci est tout à fait normal. Les grands réfrigérateurs fonctionnent pendant une période de temps plus longue.
- La température ambiante de la salle peut être élevée. Ce phénomène est tout à fait normal.
- Le réfrigérateur pourrait y avoir été branché tout récemment ou pourrait avoir été chargé de denrées alimentaires. Le refroidissement complet du réfrigérateur peut durer quelques heures de plus.
- D'importantes quantités de denrées chaudes ont peut être été introduites dans le réfrigérateur récemment. Les denrées chaudes provoquent un fonctionnement prolongé du réfrigérateur avant d'atteindre le niveau de température de conservation raisonnable.
- Les portes ont peut être été ouvertes fréquemment ou laissées entrouvertes pendant une durée prolongée. L'air chaud qui entre dans le réfrigérateur le fait fonctionner pendant de plus longues périodes. Ouvrez les portes moins souvent.
- La porte du réfrigérateur ou du congélateur ont peut être été laissées entrouvertes. Vérifiez que les portes sont bien fermées.
- Le réfrigérateur est réglé à une température très basse. Réglez la température du réfrigérateur à un degré supérieur et attendez jusqu'à ce que la température soit bonne.
- Le joint de la porte du réfrigérateur ou du congélateur peut être sale, déchiré, rompu ou mal en place. Nettoyez ou remplacez le joint. Tout joint endommagé/déchiré fait fonctionner le réfrigérateur pendant une période de temps plus longue afin de conserver la température actuelle.

La température du congélateur est très basse alors que celle du réfrigérateur est correcte.

- La température du congélateur est réglée à une température très basse. Réglez la température du congélateur à un degré supérieur et vérifiez.

La température du réfrigérateur est très basse alors que celle du congélateur est correcte.

- La température du réfrigérateur est réglée à une température très basse. Réglez la température du réfrigérateur à un degré supérieur et vérifiez.

Les denrées conservées dans les tiroirs du compartiment de réfrigération congèlent.

- La température du réfrigérateur est réglée à une température très basse. Réglez la température du réfrigérateur à un degré supérieur et vérifiez.

La température dans le réfrigérateur ou le congélateur est très élevée.

- La température du réfrigérateur est réglée à un niveau de froid très élevé. Le réglage du réfrigérateur a un effet sur la température du congélateur. Modifiez la température du réfrigérateur ou du congélateur jusqu'à ce qu'elles atteignent un niveau correct.
- La porte est peut être restée ouverte. Refermez complètement la porte.
- D'importantes quantités de denrées chaudes ont peut être été introduites dans le réfrigérateur récemment. Attendez que le réfrigérateur ou le congélateur atteigne la bonne température.
- Le réfrigérateur y a peut être été branché récemment. Le refroidissement complet du réfrigérateur nécessite du temps à cause de sa taille.

Un bruit similaire au son émis par l'aiguille des secondes d'une horloge analogique provient du réfrigérateur.

<ul style="list-style-type: none"> <li>• Ce bruit provient de la valve solénoïde du réfrigérateur. La valve solénoïde fonctionne afin d'assurer le passage du réfrigérant à travers le compartiment qui peut être ajusté aux températures de refroidissement et de congélation, et dans le but d'effectuer les fonctions de refroidissement. Ce phénomène est tout à fait normal et ne constitue nullement un dysfonctionnement.</li> </ul>
Le niveau sonore augmente lorsque le réfrigérateur est en marche.
<ul style="list-style-type: none"> <li>• Les caractéristiques de performance du réfrigérateur peuvent changer en fonction des variations de la température ambiante. Cela est normal et n'est pas un défaut.</li> </ul>
Vibrations ou bruits
<ul style="list-style-type: none"> <li>• Le sol n'est pas plat ou n'est pas solide. Le réfrigérateur oscille lorsqu'on le bouge lentement. Assurez-vous que le sol est plat, solide et qu'il peut supporter le réfrigérateur.</li> <li>• Les bruits peuvent être produits par les objets placés sur le réfrigérateur. De tels objets doivent être enlevés du dessus du réfrigérateur.</li> </ul>
Le réfrigérateur produit des bruits semblables à de l'eau qui coule ou à la pulvérisation d'un liquide.
<ul style="list-style-type: none"> <li>• Des écoulements de gaz et de liquides se produisent dans le réfrigérateur, de par ses principes de fonctionnement. Cela est normal et n'est pas un défaut.</li> </ul>
Le réfrigérateur produit des bruits semblables à du vent.
<ul style="list-style-type: none"> <li>• Des activateurs d'air (ventilateurs) sont utilisés pour permettre au réfrigérateur de fonctionner efficacement. Cela est normal et n'est pas un défaut.</li> </ul>
Condensation sur les parois intérieures du réfrigérateur.
<ul style="list-style-type: none"> <li>• Un temps chaud et humide augmente la formation de givre et de condensation. Cela est normal et n'est pas un défaut.</li> <li>• Les portes sont entrouvertes. Assurez-vous que les portes sont complètement fermées.</li> <li>• Les portes ont peut être été ouvertes très fréquemment ou ont peut être été laissées ouvertes pendant une durée prolongée. Ouvrez la porte moins souvent.</li> </ul>
De l'humidité est présente à l'extérieur ou entre les portes du réfrigérateur.
<ul style="list-style-type: none"> <li>• Le temps est peut être humide. Ceci est tout à fait normal avec un temps humide. Lorsque l'humidité est faible, la condensation disparaîtra.</li> </ul>
Présence d'une mauvaise odeur dans le réfrigérateur.
<ul style="list-style-type: none"> <li>• L'intérieur du réfrigérateur doit être nettoyé. Nettoyez l'intérieur du réfrigérateur avec une éponge, de l'eau ou de l'eau gazeuse chaude.</li> <li>• Certains récipients ou matériaux d'emballage peuvent provoquer ces odeurs. Utilisez un autre récipient ou changez de marque de matériau d'emballage.</li> </ul>
La (les) porte(s) ne se ferme(nt) pas.
<ul style="list-style-type: none"> <li>• Des récipients peuvent empêcher la fermeture de la porte. Remplacez les emballages qui obstruent la porte.</li> <li>• Le réfrigérateur n'est probablement pas complètement vertical et il peut balancer lorsqu'on le bouge légèrement. Réglez les vis de levage.</li> <li>• Le sol n'est pas plat ou solide. Assurez-vous que le sol est plat et qu'il peut supporter le réfrigérateur.</li> </ul>
Les bacs à légumes sont coincés.
<ul style="list-style-type: none"> <li>• Il se peut que les denrées touchent le plafond du tiroir. Disposez à nouveau les denrées dans le tiroir.</li> </ul>

## Bitte lesen Sie zuerst diese Anleitung!

Sehr geehrte Kundin, sehr geehrter Kunde,

Wir sind sicher, dass Ihnen dieses Produkt, das in modernsten Fertigungsstätten hergestellt und den strengsten Qualitätsprüfungen unterzogen wurde, lange Zeit gute Dienste leisten wird.

Wir empfehlen Ihnen, vor Inbetriebnahme des Gerätes das gesamte Handbuch durchzulesen und es anschließend aufzubewahren.




## Diese Anleitung...

... hilft Ihnen, Ihr Gerät schnell und sicher bedienen zu können.

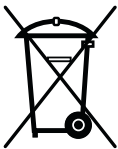
- Lesen Sie die Anleitung, bevor Sie Ihr Produkt aufstellen und bedienen.
  - Halten Sie sich an die Anweisungen, beachten Sie insbesondere die Sicherheitshinweise.
  - Bewahren Sie die Anleitung an einem leicht zugänglichen Ort auf, damit Sie jederzeit darin nachschlagen können.
  - Lesen Sie auch die weiteren Dokumente, die mit Ihrem Produkt geliefert wurden.
- Bitte beachten Sie, dass diese Anleitung eventuell auch für andere Geräte eingesetzt werden kann.

## Symbole und ihre Bedeutung

In dieser Anleitung finden Sie die folgenden Symbole:

-  Wichtige Informationen oder nützliche Tipps.
-  Warnung vor Verletzungen oder Beschädigungen.
-  Warnung vor elektrischem Strom.

Recycling



Dieses Produkt ist mit dem selektiven Entsorgungssymbol für elektrische und elektronische Altgeräte (WEEE) gekennzeichnet.

Das bedeutet, dass dieses Produkt gemäß der europäischen Richtlinie 2002/96/EC gehandhabt werden muss, um mit nur minimalen umweltspezifischen Auswirkungen recycelt oder zerlegt werden zu können. Weitere Informationen erhalten Sie von Ihren regionalen Behörden.

Elektronikprodukte, die nicht durch den selektiven Entsorgungsvorgang erfasst werden, stellen durch das Vorhandensein potenziell gefährlicher Substanzen umwelt- und gesundheitsrelevante Risiken dar.

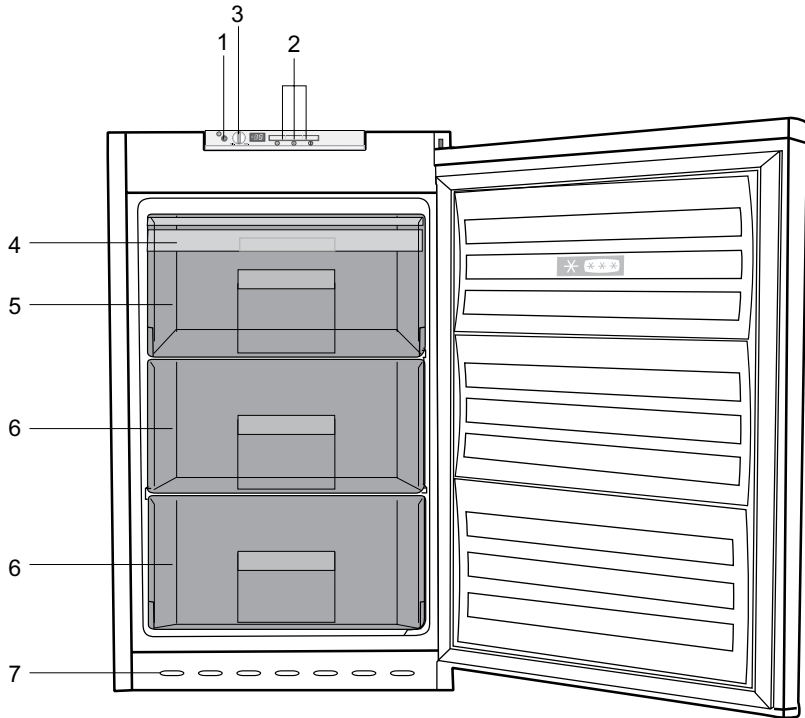


# Inhalt

---

<b>1 Ihr Kühlschrank</b>	<b>3</b>	<b>4 So bedienen Sie Ihren Kühlschrank</b>	<b>11</b>
<b>2 Wichtige Hinweise zu Ihrer Sicherheit</b>	<b>4</b>	LED-Anzeigen und Bedienfeld	11
Bestimmungsgemäßer Gebrauch	4	Einstellen der Betriebstemperatur	12
Bei Geräten mit Wasserspender:	6	<b>5 Wartung und Reinigung</b>	<b>15</b>
Kinder – Sicherheit	6	Schutz der Kunststoffflächen	15
HCA-Warnung	6	<b>6 Empfehlungen zur Problemlösung</b>	<b>16</b>
Tipps zum Energiesparen	6		
<b>3 Installation</b>	<b>7</b>		
Vorbereitung	7		
Was Sie bei einem weiteren Transport Ihres Kühlschranks beachten müssen	7		
Bevor Sie Ihren Kühlschrank einschalten	8		
Füße einstellen	8		
Elektrischer Anschluss	8		
Erste Inbetriebnahme	9		
Verpackungsmaterialien entsorgen	9		
Altgeräte entsorgen	9		
Türanschlag umkehren	10		

# 1 Ihr Kühlschrank



1. Schnellgefrierschalter
2. Anzeigeleuchten
3. Thermostatknopf
4. Eiswürfelfach
5. Schnellgefrierfach
6. Gefriergutfächer
7. Lüftungsgitter

**i** Abbildungen und Angaben in dieser Anleitung sind schematisch und können etwas von Ihrem Produkt abweichen. Wenn die Teile nicht im gekauften Produkt enthalten sind, gelten sie für andere Modelle.

## 2 Wichtige Hinweise zu Ihrer Sicherheit

Bitte lesen Sie die folgenden Hinweise aufmerksam durch. Bei Nichtbeachtung kann es zu Verletzungen und Sachschäden kommen. In diesem Fall erlöschen auch sämtliche Garantie- und sonstigen Ansprüche.

Die reguläre Einsatzzeit des von Ihnen erworbenen Gerätes beträgt 10 Jahre. In diesem Zeitraum halten wir Ersatzteile für das Gerät bereit, damit es stets wie gewohnt arbeiten kann.

### Bestimmungsgemäßer Gebrauch

Dieses Produkt ist für folgende Einsatzzwecke vorgesehen:

- Nutzung in Innenräumen; beispielsweise im Privathaushalt
- Einsatz in Geschäftsräumen; beispielsweise in Geschäften und Büros
- Verwendung auf Bauernhöfen oder in Beherbergungsbetrieben; beispielsweise in Hotels und Pensionen
- Das Gerät sollte nicht im Freien benutzt werden.

### Allgemeine Hinweise zu Ihrer Sicherheit

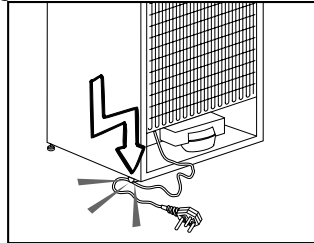
- Wenn Sie das Gerät entsorgen möchten, wenden Sie sich am besten an den autorisierten Kundendienst. Hier erhalten Sie notwendige Informationen und erfahren, welche Stellen für die Entsorgung zuständig sind.
- Bei Problemen und Fragen zum Gerät wenden Sie sich grundsätzlich an den autorisierten Kundendienst. Ziehen Sie keine Dritten zu Rate, versuchen Sie nichts in Eigenregie, ohne den autorisierten Kundendienst davon in Kenntnis zu setzen.
- Bei Geräten mit Tiefkühlbereich: Der Verzehr von Speiseeis und Eiswürfeln unmittelbar nach der Entnahme aus dem Tiefkühlbereich ist nicht ratsam. (Dies kann zu Erfrierungen führen.)

- Bei Geräten mit Tiefkühlbereich: Bewahren Sie Getränke in Flaschen sowie Dosen niemals in Tiefkühlbereich auf. Diese platzen.
- Berühren Sie gefrorene Lebensmittel nicht mit der Hand; sie können festfrieren.
- Ziehen Sie den Netzstecker, bevor Sie den Kühlschrank reinigen oder abtauen.
- Verwenden Sie niemals Dampf- oder Sprühreiniger zum Reinigen oder Abtauen Ihres Kühlschranks. Die Dämpfe oder Nebel können in Kontakt mit stromführenden Teilen geraten und Kurzschlüsse oder Stromschläge auslösen.
- Missbrauchen Sie niemals Teile Ihres Kühlschranks (z. B. Tür) als Befestigungen oder Kletterhilfen.
- Nutzen Sie keine elektrischen Geräte innerhalb des Kühlschranks.
- Achten Sie darauf, den Kühlkreislauf keinesfalls mit Bohr- oder Schneidwerkzeugen zu beschädigen. Das Kühlmittel kann herausspritzen, wenn die Gaskanäle des Verdunsters, Rohr- und Schlauchleitungen oder Oberflächenversiegelungen beschädigt werden. Dies kann zu Hautreizungen und Augenverletzungen führen.
- Decken Sie keinerlei Belüftungsöffnungen des Kühlschranks ab.
- Elektrogeräte dürfen nur von autorisierten Fachkräften repariert werden. Reparaturen durch weniger kompetente Personen können erhebliche Gefährdungen des Anwenders verursachen.
- Sollten Fehler oder Probleme während der Wartung oder Reparaturarbeiten auftreten, so trennen Sie den Kühlschrank von der Stromversorgung, indem Sie die entsprechende Sicherung abschalten oder den Netzstecker ziehen.
- Ziehen Sie niemals am Netzkabel – fassen Sie stets den Stecker selbst.
- Lagern Sie hochprozentige alkoholische Getränke gut verschlossen und aufrecht.

- Lagern Sie niemals Behälter mit brennbaren Gasen (z. B. Spraydosen) oder explosive Dinge im Kühlschrank.
- Nutzen Sie keine mechanischen oder andere Hilfsmittel, um das Gerät abzutauen – es sei denn, solche Hilfsmittel werden ausdrücklich vom Hersteller empfohlen.
- Dieses Gerät darf nicht von Personen (einschließlich Kindern) benutzt werden, die unter körperlichen oder geistigen Einschränkungen leiden oder denen es an der nötigen Erfahrung im Umgang mit solchen Geräten mangelt. Eine Ausnahme kann gemacht werden, wenn solche Personen ständig beaufsichtigt werden und/oder gründlich in der Verwendung des Gerätes unterwiesen wurden.
- Nehmen Sie einen beschädigten Kühlschrank nicht in Betrieb. Wenden Sie sich im Zweifelsfall unbedingt zuerst an den Kundendienst.
- Die elektrische Sicherheit des Gerätes ist nur dann gewährleistet, wenn das hausinterne Erdungssystem den zutreffenden Normen entspricht.
- Setzen Sie das Gerät keinem Regen, Schnee, direktem Sonnenlicht oder Wind aus, da dies die elektrische Sicherheit gefährden kann.
- Damit es nicht zu Gefährdungen kommt, lassen Sie beschädigte Netzkabel unverzüglich vom Kundendienst austauschen.
- Stecken Sie während der Installation niemals den Netzstecker ein. Andernfalls kann es zu schweren bis tödlichen Verletzungen kommen.
- Der Kühlschrank darf nur zum Lagern von Lebensmitteln, keinesfalls für andere Zwecke verwendet werden.
- Das Typenschild mit technischen Daten befindet sich an der linken Innenwand des Kühlschranks.
- Schließen Sie den Kühlschrank niemals an Energiesparsysteme an; andernfalls kann es zu Beschädigungen kommen.
- Bei Geräten mit blauer Innenbeleuchtung: Schauen Sie niemals mit optischen

Hilfsmitteln in das blaue Licht.

- Bei manuell gesteuerten Kühlschränken warten Sie nach Stromausfällen mindestens 5 Minuten ab, bevor Sie das Gerät neu starten.
- Falls Sie das Gerät an einen anderen Besitzer weitergeben, vergessen Sie nicht, die Bedienungsanleitung ebenfalls weiterzugeben.
- Achten Sie beim Transportieren des Kühlschranks darauf, dass das Netzkabel nicht beschädigt wird. Geknickte Kabel können sich entzünden. Stellen Sie niemals schwere Gegenstände auf dem Netzkabel ab. Berühren Sie den Netzstecker niemals mit feuchten oder gar nassen Händen.



- Stecken Sie den Netzstecker niemals in lose Steckdosen ein.
- Sprühen Sie aus Sicherheitsgründen niemals direkt Wasser auf die Innen- und Außenflächen des Gerätes.
- Nutzen Sie niemals leicht entzündliche Substanzen (z. B. Propangas) in der Nähe des Kühlschranks; es besteht Brand- und Explosionsgefahr.
- Stellen Sie niemals mit Wasser oder anderen Flüssigkeiten gefüllte Gefäße auf dem Kühlschrank ab; es besteht Brand- und Stromschlaggefahr.
- Überladen Sie den Kühlschrank nicht mit übermäßig vielen Lebensmitteln. Bei Überladung können Lebensmittel beim Öffnen der Tür herausfallen, Sachschäden und Verletzungen verursachen. Stellen Sie niemals Gegenstände auf dem Kühlschrank ab; solche Gegenstände können beim Öffnen und Schließen der Kühlschranktür herabfallen.

- Materialien, die bei exakt festgelegten Temperaturen gelagert werden müssen (beispielsweise Impfstoffe, wärmeempfindliche Arznei, wissenschaftliche Proben, usw.) sollten nicht im Kühlschrank gelagert werden.
- Ziehen Sie den Netzstecker, wenn Sie den Kühlschrank längere Zeit nicht nutzen. Andernfalls können Brände durch defekte Netzkabel nicht gänzlich ausgeschlossen werden.
- Die Kontakte des Netzsteckers sollten regelmäßig gereinigt werden; andernfalls besteht Brandgefahr.
- Der Kühlschrank kann sich bewegen, falls die Füße nicht richtig auf dem Boden aufliegen. Stellen Sie die verstellbaren Füße so ein, dass der Kühlschrank absolut stabil steht und sich somit nicht bewegen kann.
- Tragen Sie den Kühlschrank nicht am Türgriff; der Griff kann abbrechen.
- Wenn Sie das Gerät neben einem anderen Kühlgerät aufstellen, achten Sie darauf, dass zwischen den Geräten mindestens 8 cm Platz verbleiben. Andernfalls kann sich Feuchtigkeit an den Seitenwänden niederschlagen.

## Bei Geräten mit Wasserspender:

Der Wasserdruck sollte zwischen 1 und 8 bar liegen.

- Nur Trinkwasser verwenden.

## Kinder – Sicherheit

- Bei abschließbaren Türen bewahren Sie den Schlüssel außerhalb der Reichweite von Kindern auf.
- Kinder müssen stets beaufsichtigt werden, damit sie nicht mit dem Gerät spielen.

## HCA-Warnung Falls Ihr Gerät mit dem Kühlmittel R600a arbeitet:

Dieses Gas ist leicht entflammbar. Achten Sie also darauf, Kühlkreislauf und

Leitungen während Betrieb und Transport nicht zu beschädigen. Bei Beschädigungen halten Sie das Produkt von potenziellen Zündquellen (z. B. offenen Flammen) fern und sorgen für eine gute Belüftung des Raumes, in dem das Gerät aufgestellt wurde.

### **Diese Warnung können Sie ignorieren, wenn Ihr Gerät mit dem Kühlmittel R134a arbeitet.**

Das verwendete Kühlmittel wird auf dem Typenschild an der linken Innenseite des Kühlschranks angegeben.

Entsorgen Sie das Gerät niemals durch Verbrennen.

## Tipps zum Energiesparen

- Halten Sie die Kühlschrankschüren nur möglichst kurz geöffnet.
- Lagern Sie keine warmen Speisen oder Getränke im Kühlschrank ein.
- Überladen Sie den Kühlschrank nicht; die Luft muss frei zirkulieren können.
- Stellen Sie den Kühlschrank nicht im direkten Sonnenlicht oder in der Nähe von Wärmequellen wie Öfen, Spülmaschinen oder Heizkörpern auf.
- Achten Sie darauf, Ihre Lebensmittel in verschlossenen Behältern aufzubewahren.
- Bei Geräten mit Tiefkühlbereich: Sie können noch mehr Lebensmittel einlagern, wenn Sie die Ablagen oder Schubladen aus dem Tiefkühlbereich herausnehmen. Die Energieverbrauchswerte Ihres Kühlschranks wurden bei maximaler Beladung mit herausgenommenen Ablagen oder Schubladen ermittelt. Ansonsten ist es Ihnen natürlich freigestellt, die Ablagen oder Schubladen zu verwenden.
- Wenn Sie gefrorene Lebensmittel im Kühlbereich auftauen, sparen Sie Energie und bewahren die Qualität der Lebensmittel.

## 3 Installation

- i** Bitte beachten Sie, dass der Hersteller nicht haftet, wenn Sie sich nicht an die Informationen und Anweisungen der Bedienungsanleitung halten.

### Vorbereitung

- Ihr Kühlschrank sollte mindestens 30 cm von Hitzequellen wie Kochstellen, Öfen, Heizungen, Herden und ähnlichen Einrichtungen aufgestellt werden. Halten Sie mindestens 5 cm Abstand zu Elektroöfen ein, vermeiden Sie die Aufstellung im direkten Sonnenlicht.
- Die Zimmertemperatur des Raumes, in dem der Kühlschrank aufgestellt wird, sollte mindestens 10 °C betragen. Im Hinblick auf den Wirkungsgrad ist der Betrieb des Kühlschranks bei geringerer Umgebungstemperatur nicht ratsam.
- Sorgen Sie dafür, dass das Innere Ihres Kühlschranks gründlich gereinigt wird.
- Falls zwei Kühlschränke nebeneinander aufgestellt werden sollen, achten Sie darauf, dass sie mindestens 2 cm voneinander entfernt platziert werden.
- Originalverpackung und Schaumstoffmaterialien sollten zum zukünftigen Transport des Gerätes aufbewahrt werden.

### Was Sie bei einem weiteren Transport Ihres Kühlschranks beachten müssen

1. Der Kühlschrank muss vor dem Transport geleert und gesäubert werden.
2. Befestigen und sichern Sie Ablagen, Zubehör, Gemüsefach, etc. mit Klebeband, bevor Sie das Gerät neu verpacken.
3. Die Verpackung muss mit kräftigem Klebeband und stabilen Seilen gesichert, die auf der Verpackung aufgedruckten Transporthinweise müssen beachtet werden.

#### Bitte nicht vergessen...

Jeder wiederverwendete Artikel stellt eine unverzichtbare Hilfe für unsere Natur und unsere Ressourcen dar.

Wenn Sie zur Wiederverwertung von Verpackungsmaterialien beitragen möchten, können Sie sich bei Umweltschutzvereinigungen und Ihren Behörden vor Ort informieren.

## Bevor Sie Ihren Kühlschrank einschalten

Bevor Sie Ihren Kühlschrank in Betrieb nehmen, beachten Sie bitte Folgendes:

- 1- Ist der Innenraum des Kühlschranks trocken, kann die Luft frei an der Rückseite zirkulieren?
- 2- Reinigen Sie das Innere des Kühlschranks wie im Abschnitt „Wartung und Reinigung“ beschrieben.
- 3- Stecken Sie den Netzstecker des Kühlschranks in eine Steckdose. Bei geöffneter Tür schaltet sich das Licht im Innenraum ein.
- 4- Sie hören ein Geräusch, wenn sich der Kompressor einschaltet. Die Flüssigkeiten und Gase im Kühlsystem können auch leichte Geräusche erzeugen, wenn der Kompressor nicht läuft. Dies ist völlig normal. Da im Inneren des Gerätes Lüfter arbeiten, ist die Gesamt-Geräuschentwicklung etwas höher als bei nicht vereisungsfreien Geräten. Dies ist völlig normal und kein Fehler.
- 5- Die Vorderkanten des Kühlgerätes können sich warm anfühlen. Dies ist normal. Diese Bereiche wärmen sich etwas auf, damit sich kein Kondenswasser bildet.

## Füße einstellen



Wenn Ihr Kühlschrank nicht absolut gerade steht:

Sie können den Kühlschrank – wie in der Abbildung gezeigt – durch Drehen der Frontfüße ausbalancieren. Wenn Sie in Richtung des schwarzen Pfeils drehen, senkt sich die Ecke, an der sich der Fuß befindet. Beim Drehen in Gegenrichtung wird die Ecke angehoben. Diese Arbeit fällt erheblich leichter, wenn ein Helfer das Gerät etwas anhebt.

## Elektrischer Anschluss

Schließen Sie Ihren Kühlschrank an eine geerdete (Schuko-) Steckdose an. Diese Steckdose muss mit einer passenden Sicherung abgesichert werden.

Wichtig:

- Der Anschluss muss gemäß lokaler Vorschriften erfolgen.
  - Der Netzstecker muss nach der Installation frei zugänglich bleiben.
  - Informationen zur richtigen Spannung und Sicherungsdimensionierung finden Sie im Abschnitt „Technische Daten“.
  - Die angegebene Spannung muss mit Ihrer Netzspannung übereinstimmen.
  - Zum Anschluss dürfen keine Verlängerungskabel oder Mehrfachsteckdosen verwendet werden.
-  Ein beschädigtes Netzkabel muss unverzüglich durch einen qualifizierten Elektriker ausgetauscht werden.
-  Das Gerät darf vor Abschluss der Reparaturen nicht mehr eingeschaltet werden! Es besteht Stromschlaggefahr!

## **Erste Inbetriebnahme**

- Wenn Sie den Kühlschrank zum ersten Mal in Betrieb nehmen, halten Sie sich bitte an die folgenden Anweisungen für die ersten sechs Betriebsstunden.
  - Stellen Sie die Temperatur nicht auf den Minimalwert ein.
  - Die Kühlschranktür sollte nicht zu häufig geöffnet werden.
  - Der Kühlschrank muss zunächst vollständig leer arbeiten.
  - Ziehen Sie nicht den Netzstecker. Falls der Strom ausfallen sollte, beachten Sie die Warnhinweise im Abschnitt „Empfehlungen zur Problemlösung“.

## **Verpackungsmaterialien entsorgen**

Das Verpackungsmaterial kann eine Gefahr für Kinder darstellen. Halten Sie Verpackungsmaterialien von Kindern fern oder entsorgen Sie das Verpackungsmaterial gemäß den gültigen Entsorgungsbestimmungen. Entsorgen Sie Verpackungsmaterialien nicht mit dem regulären Hausmüll.

Die Verpackung Ihres Gerätes wurde aus recyclingfähigen Materialien hergestellt.

## **Altgeräte entsorgen**

Entsorgen Sie Altgeräte auf umweltfreundliche Weise.

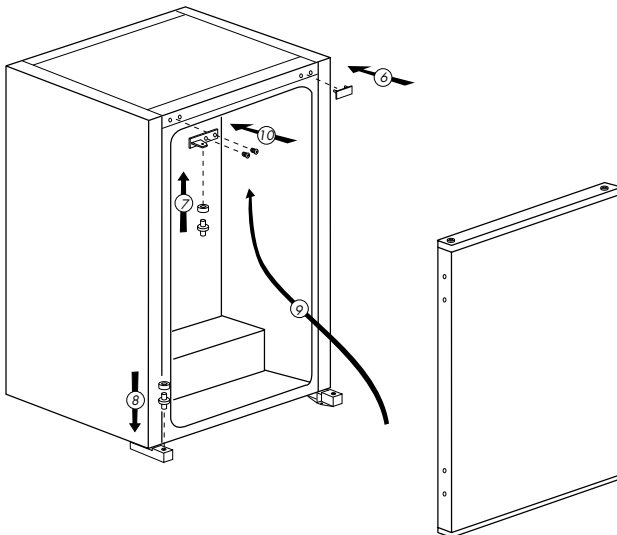
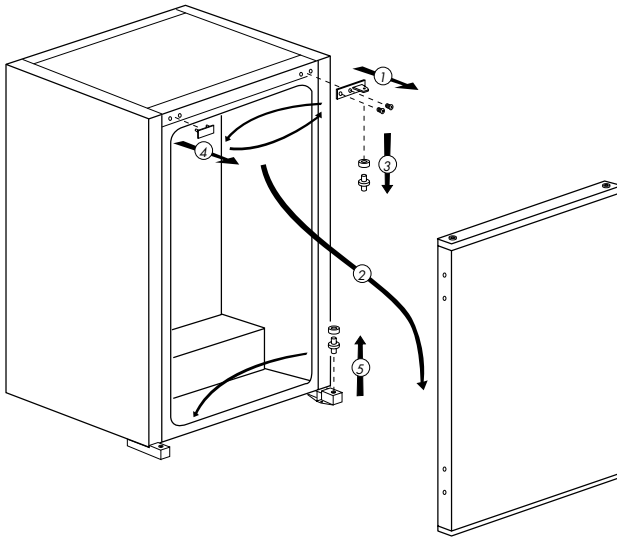
- Bei Fragen zur richtigen Entsorgung wenden Sie sich bitte an Ihren Händler, an eine Sammelstelle oder an Ihre Stadtverwaltung.

Bevor Sie das Gerät entsorgen, schneiden Sie den Netzstecker ab und machen die Türverschlüsse (sofern vorhanden) unbrauchbar, damit Kinder nicht in Gefahr gebracht werden.



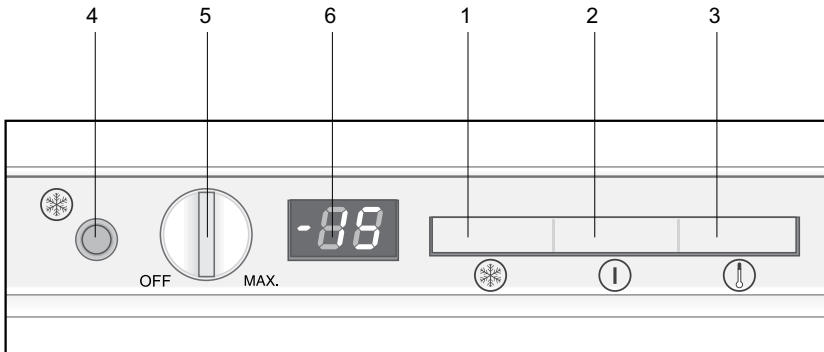
# Türanschlag umkehren

Gehen Sie der Reihe nach vor.



## 4 So bedienen Sie Ihren Kühlschrank

### LED-Anzeigen und Bedienfeld



#### Orangefarbene Leuchte (1)

Leuchtet auf, wenn der Schnellgefrierschalter (4) eingeschaltet ist und leuchtet maximal 32 Stunden (oder bis die Funktion ausgeschaltet wurde) weiter. Die Schnellgefrierfunktion brauchen Sie zum Einfrieren frischer Lebensmittel (schauen Sie dazu in den Abschnitt „FrISCHE Lebensmittel einfrieren“).

#### Grüne Leuchte (2)

Leuchtet, wenn das Gerät mit Strom versorgt wird. Diese Anzeigeleuchte erlischt erst dann, wenn Sie das Gerät vom Stromnetz trennen. Die grüne Leuchte dient nicht zur Temperaturanzeige; sie zeigt lediglich an, dass das Gerät eingeschaltet ist.

#### Rote Leuchte (3)

Leuchtet:

- Wenn die Innentemperatur über  $-5\text{ }^{\circ}\text{C}$  ansteigt. (Die Leuchte erlischt, wenn die Temperatur unter  $-9\text{ }^{\circ}\text{C}$  abgesunken ist.)
- Wenn das Gerät mit frischen Lebensmitteln überlastet ist.
- Wenn die Tür des Gerätes aus Versehen offen gelassen wurde.

Hinweis: Die rote Anzeigeleuchte leuchtet erst mit einer gewissen Verzögerung auf. Nach dem Einschalten des Gerätes bleibt die rote Anzeigeleuchte 24 Stunden lang ausgeschaltet.

#### Thermostatknopf (5)

Der Thermostatknopf befindet sich bei den Anzeigeleuchten.

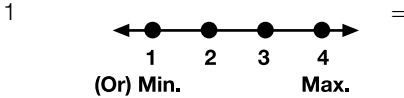
Wichtig:

Wenn Sie den Schnellgefrierschalter betätigen oder die Temperatur senken, kann es einen Moment dauern, bis sich der Kompressor einschaltet. Dies ist völlig normal und keine Fehlfunktion des Kompressors.

Bei einem Gefriersensordfehler blinkt E0 im Display.

## Einstellen der Betriebstemperatur

Die Betriebstemperatur wird über die Temperatursteuerung reguliert.



Schwächste Kühlung (wärmste Einstellung)

4 = Stärkste Kühlung (kälteste Einstellung)

(Oder)

Min. = Schwächste Kühlung

(wärmste Einstellung)

Max. = Stärkste Kühlung

(kälteste Einstellung)

Bitte wählen Sie die der gewünschten Temperatur entsprechende Einstellung.

Die Innentemperatur hängt auch von der Umgebungstemperatur ab, außerdem davon, wie oft die Tür geöffnet wird und wie viel Lebensmittel im Inneren gelagert werden.

Beim häufigen Öffnen der Tür steigt die Innentemperatur an.

Aus diesem Grund empfehlen wir, die Tür möglichst schnell wieder zu schließen.

Zum Lagern von Lebensmitteln sollte die Innentemperatur des Gerätes  $-18\text{ °C}$  betragen. Wenn Sie den Thermostatknopf aus der Position 1 weiter gegen den Uhrzeigersinn drehen, schaltet sich das Gerät ab. Dabei hören Sie ein Klicken. Sie können noch tiefere Temperaturen erreichen, indem Sie den Thermostatknopf zur Position 4 hin drehen.

Wir empfehlen, die Temperatur mit einem Thermometer zu überprüfen – so können Sie sicher sein, dass in den Ablagen die gewünschte Temperatur herrscht.

Denken Sie daran, das Thermometer sofort abzulesen, da die angezeigte Temperatur sehr schnell ansteigt, sobald Sie das Thermometer aus dem Kühlgerät nehmen.

### Einfrieren von Lebensmitteln

Der Gefrierbereich ist mit dem Symbol an der Türverkleidung gekennzeichnet.

In Ihrem Gerät können Sie frische Nahrungsmittel einfrieren und auch bereits gefrorene Lebensmittel lagern.

Bitte beachten Sie dazu die Empfehlungen auf der Verpackung der Lebensmittel.

### ⚠ Achtung

Frieren Sie keine kohlenensäurehaltigen Getränke ein: Die Flaschen können beim Einfrieren platzen.

Gehen Sie umsichtig mit gefrorenen Produkten wie farbigen Eiswürfeln um.

Überschreiten Sie die Tiefkühlkapazität ihres Geräts innerhalb von 24 Stunden nicht. Beachten Sie das Typenschild.

Um eine hohe Qualität der Lebensmittel zu bewahren, müssen Nahrungsmittel so schnell wie möglich eingefroren werden.

Dadurch sollte die Gefrierkapazität nicht überschritten werden und die Innentemperatur des Kühlgerätes nicht ansteigen.

### ⚠ Achtung

Trennen Sie bereits gefrorene Lebensmittel grundsätzlich von Nahrungsmitteln, die gerade erst in des Kühlgerät gegeben wurden.

Beim Einfrieren heißer Speisen arbeitet der Kompressor so lange, bis die Lebensmittel komplett gefroren sind. Dies kann vorübergehend zu einer stärkeren Abkühlung des Kühlbereiches führen.

Machen Sie sich keine Sorgen, wenn sich die Kühlschranktür kurz nach dem Schließen nur mit Mühe öffnen lassen sollte. Dies liegt daran, dass sich die Druckunterschiede zwischen Innenraum und Umgebung erst einmal ausgleichen müssen. Nach ein paar Minuten lässt sich die Tür ganz normal öffnen.

Nach dem Schließen der Tür hören Sie ein Vakuumgeräusch. Dies ist völlig normal.

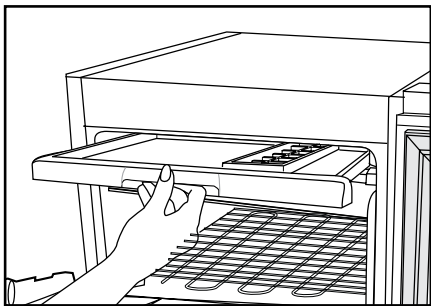
## Herstellung von Eiswürfeln

Füllen Sie die Eiswürfelschale zu etwa 3/4 mit Wasser und stellen Sie diese ins Tiefkühlfach.

Sobald sich das Wasser in Eis verwandelt hat, können Sie die Eiswürfel herausnehmen.

Benutzen Sie niemals scharfe Gegenstände wie Messer oder Gabeln zum Herauslösen der Eiswürfel. Es besteht Verletzungsgefahr!

Lassen Sie die Eiswürfel lieber etwas antauen oder tauchen Sie den Boden der Schale einen Moment lang in heißes Wasser.



## Schnellgefrieren

Wenn Sie große Mengen frischer Lebensmittel einfrieren möchten, betätigen Sie den Schnellgefrierschalter 24 Stunden bevor Sie die frischen Lebensmittel in das Schnellgefrierfach legen.

Wir empfehlen dringend, die Schnellgefrierfunktion 24 Stunden lang arbeiten zu lassen – so können Sie die maximale Menge an Gefriergut verarbeiten. Achten Sie besonders darauf, tiefgekühlte und frische Speisen nicht zu vermischen.

## Gerät abtauen

Übermäßige Eisbildung kann sich negativ auf die Gefrierleistung Ihres Gerätes auswirken.

Daher empfehlen wir Ihnen, das Gerät mindestens zweimal pro Jahr abzutauen – oder wenn die Eisschicht eine Stärke von 7 mm überschreitet.

Tauen Sie das Gerät ab, wenn sich keine oder nur wenige Lebensmittel darin befinden.

Nehmen Sie tiefgefrorene Lebensmittel aus den Schubladen. Wickeln Sie das Gefriergut in mehrere Lagen Papier oder in ein Handtuch ein und lagern Sie es an einem kühlen Ort.

Zum Abtauen des Gerätes ziehen Sie den Netzstecker oder schalten die Sicherung aus.

Nehmen Sie Zubehörteile (wie Ablagen, Schubladen, usw.) aus dem Gerät heraus und fangen Sie das Tauwasser mit einem geeigneten Behälter auf.

Entfernen Sie Tauwasser (sofern nötig) mit einem Schwamm oder einem weichen Tuch.

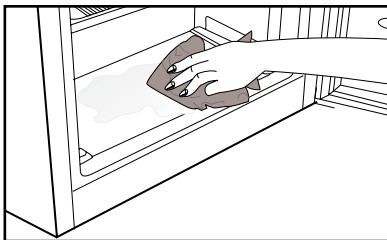
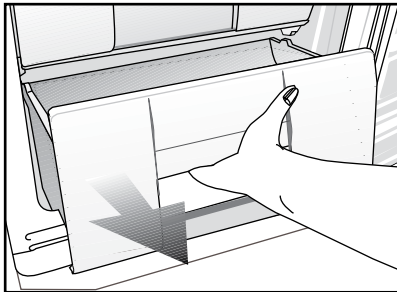
Lassen Sie die Tür während des Abtauvorgangs offen stehen.

Wenn Sie den Abtauvorgang beschleunigen möchten, stellen Sie ein paar Schüsseln mit warmem Wasser in das Gerät.

Verwenden Sie niemals Elektrogeräte, Abtausprays oder spitze oder scharfkantige Gegenstände wie Messer oder Gabeln zum Entfernen des Eises.

Nach dem Abtauen reinigen Sie den Innenraum (lesen Sie dazu den Abschnitt „Reinigung und Pflege“).

Schließen Sie das Gerät wieder an die Stromversorgung an. Legen Sie das Gefriergut in die Schubladen, schieben Sie die Schubladen in das Kühlgerät ein.



## 5 **Wartung und Reinigung**

---

- ⚠ Verwenden Sie zu Reinigungszwecken niemals Benzin oder ähnliche Substanzen.
- ⚠ Wir empfehlen, vor dem Reinigen den Netzstecker zu ziehen.
- ℹ Verwenden Sie zur Reinigung niemals scharfe Gegenstände, Seife, Haushaltsreiniger, Waschmittel oder Wachspolituren.
- ℹ Reinigen Sie das Gehäuse des Gerätes mit lauwarmem Wasser, wischen Sie die Flächen danach trocken.
- ⚠ Zur Reinigung des Innenraums verwenden Sie ein feuchtes Tuch, das Sie in eine Lösung aus 1 Teelöffel Natron und einem halben Liter Wasser getaucht und ausgewrungen haben. Nach dem Reinigen wischen Sie den Innenraum trocken.
- ⚠ Achten Sie darauf, dass kein Wasser in das Lampengehäuse oder andere elektrische Komponenten eindringt.
- ⚠ Wenn Ihr Kühlgerät längere Zeit nicht benutzt wird, ziehen Sie den Netzstecker, nehmen alle Lebensmittel heraus, reinigen das Gerät und lassen die Türe geöffnet.
- ℹ Kontrollieren Sie die Türdichtungen regelmäßig, um sicherzustellen, dass diese sauber und frei von Speiseresten sind.
- ℹ Zum Entfernen einer Türablage räumen Sie sämtliche Gegenständen aus der Ablage und schieben diese dann nach oben heraus.

### **Schutz der Kunststoffflächen**

- ℹ Geben Sie keine Öle oder stark fetthaltige Speisen offen in Ihren Kühlschrank – dadurch können die Kunststoffflächen angegriffen werden. Sollten die Plastikoberflächen einmal mit Öl in Berührung kommen, so reinigen Sie die entsprechenden Stellen umgehend mit warmem Wasser.

## 6 Empfehlungen zur Problemlösung

Bitte arbeiten Sie diese Liste durch, bevor Sie den Kundendienst anrufen. Das kann Ihnen Zeit und Geld sparen. In der Liste finden Sie häufiger auftretende Probleme, die nicht auf Verarbeitungs- oder Materialfehler zurückzuführen sind. Nicht alle hier beschriebenen Funktionen sind bei jedem Modell verfügbar.

Der Kühlschrank arbeitet nicht.
<ul style="list-style-type: none"><li>• Ist der Kühlschrank richtig angeschlossen? Stecken Sie den Netzstecker in die Steckdose.</li><li>• Ist die entsprechende Haussicherung herausgesprungen oder durchgebrannt? Überprüfen Sie die Sicherung.</li></ul>
Kondensation an den Seitenwänden des Kühlbereiches. (Multizone, Kühlkontrolle und FlexiZone)
<ul style="list-style-type: none"><li>• Sehr geringe Umgebungstemperaturen. Häufiges Öffnen und Schließen der Tür. Sehr feuchte Umgebung. Offene Lagerung von feuchten Lebensmitteln. Tür nicht richtig geschlossen. Kühlere Thermostateinstellung wählen.</li><li>• Türen kürzer geöffnet halten oder seltener öffnen.</li><li>• Offene Behälter abdecken oder mit einem geeigneten Material einwickeln.</li><li>• Kondensation mit einem trockenen Tuch entfernen und überprüfen, ob diese erneut auftritt.</li></ul>
Der Kompressor läuft nicht
<ul style="list-style-type: none"><li>• Eine Schutzschaltung stoppt den Kompressor bei kurzzeitigen Unterbrechungen der Stromversorgung und wenn das Gerät zu oft und schnell ein- und ausgeschaltet wird, da der Druck des Kühlmittels eine Weile lang ausgeglichen werden muss. Ihr Kühlschrank beginnt nach etwa sechs Minuten wieder zu arbeiten. Bitte wenden Sie sich an den Kundendienst, falls Ihr Kühlschrank nach Ablauf dieser Zeit nicht wieder zu arbeiten beginnt.</li><li>• Der Kühlschrank taut ab. Dies ist bei einem vollautomatisch abtauenden Kühlschrank völlig normal. Das Gerät taut von Zeit zu Zeit ab.</li><li>• Der Netzstecker ist nicht eingesteckt. Überprüfen Sie, ob das Gerät richtig angeschlossen ist.</li><li>• Stimmen die Temperatureinstellungen?</li><li>• Eventuell ist der Strom ausgefallen.</li></ul>
Der Kühlschrank arbeitet sehr intensiv oder über eine sehr lange Zeit.

<ul style="list-style-type: none"> <li>• Ihr neues Gerät ist vielleicht etwas breiter als sein Vorgänger. Dies ist völlig normal. Große Kühlgeräte arbeiten oft längere Zeit.</li> <li>• Die Umgebungstemperatur ist eventuell sehr hoch. Dies ist völlig normal.</li> <li>• Das Kühlgerät wurde möglicherweise erst vor kurzem in Betrieb genommen oder mit Lebensmitteln gefüllt. Es kann einige Stunden länger dauern, bis der Kühlschrank seine Arbeitstemperatur erreicht hat.</li> <li>• Kurz zuvor wurden größere Mengen warmer Speisen im Kühlschrank eingelagert. Heiße Speisen führen dazu, dass der Kühlschrank etwas länger arbeiten muss, bis die geeignete Temperatur zur sicheren Lagerung erreicht ist.</li> <li>• Türen wurden häufig geöffnet oder längere Zeit nicht richtig geschlossen. Der Kühlschrank muss länger arbeiten, weil warme Luft in den Innenraum eingedrungen ist. Öffnen Sie die Türen möglichst selten.</li> <li>• Die Tür des Kühl- oder Tiefkühlbereichs war nur angelehnt. Vergewissern Sie sich, dass die Türen richtig geschlossen wurden.</li> <li>• Die Kühlschranktemperatur ist sehr niedrig eingestellt. Stellen Sie die Kühlschranktemperatur höher ein und warten Sie, bis die gewünschte Temperatur erreicht ist.</li> <li>• Die Türdichtungen von Kühl- oder Gefrierbereich sind verschmutzt, verschlissen, beschädigt oder sitzen nicht richtig. Reinigen oder ersetzen Sie die Dichtung. Beschädigte oder defekte Dichtungen führen dazu, dass der Kühlschrank länger arbeiten muss, um die Temperatur halten zu können.</li> </ul>
Die Temperatur im Tiefkühlbereich ist sehr niedrig, während die Temperatur im Kühlbereich normal ist.
<ul style="list-style-type: none"> <li>• Die Tiefkühltemperatur ist sehr niedrig eingestellt. Stellen Sie die Gefrierfachtemperatur wärmer ein und prüfen Sie.</li> </ul>
Die Temperatur im Kühlbereich ist sehr niedrig, während die Temperatur im Tiefkühlbereich normal ist.
<ul style="list-style-type: none"> <li>• Die Kühltemperatur ist eventuell sehr niedrig eingestellt. Stellen Sie die Kühlbereichtemperatur wärmer ein und prüfen Sie.</li> </ul>
Im Kühlbereich gelagerte Lebensmittel frieren ein.
<ul style="list-style-type: none"> <li>• Die Kühltemperatur ist eventuell sehr niedrig eingestellt. Stellen Sie die Kühlbereichtemperatur wärmer ein und prüfen Sie.</li> </ul>
Die Temperatur im Kühl- oder Tiefkühlbereich ist sehr hoch.
<ul style="list-style-type: none"> <li>• Die Temperatur des Kühlbereichs ist eventuell sehr hoch eingestellt. Die Einstellung des Kühlbereichs beeinflusst die Temperatur im Tiefkühlbereich. Stellen Sie den Kühl- oder Tiefkühlbereich auf die gewünschte Temperatur ein.</li> <li>• Türen wurden häufig geöffnet oder längere Zeit nicht richtig geschlossen; weniger häufig öffnen.</li> <li>• Die Tür wurde eventuell nicht richtig geschlossen; Tür richtig schließen.</li> <li>• Kurz zuvor wurden größere Mengen warmer Speisen im Kühlschrank eingelagert. Warten Sie, bis der Kühl- oder Tiefkühlbereich die gewünschte Temperatur erreicht.</li> <li>• Der Kühlschrank war kurz zuvor von der Stromversorgung getrennt. Ihr Kühlschrank braucht einige Zeit, um sich auf die gewünschte Temperatur abzukühlen.</li> </ul>
Das Betriebsgeräusch nimmt zu, wenn der Kühlschrank arbeitet.
<ul style="list-style-type: none"> <li>• Das Leistungsverhalten des Kühlgerätes kann sich je nach Umgebungstemperatur ändern. Dies ist völlig normal und keine Fehlfunktion.</li> </ul>



#### Vibrationen oder Betriebsgeräusche.

- Der Boden ist nicht eben oder nicht fest. Der Kühlschrank wackelt, wenn er etwas bewegt wird. Achten Sie darauf, dass der Boden eben ist und das Gewicht des Kühlschranks problemlos tragen kann.
- Das Geräusch kann durch auf dem Kühlschrank abgestellte Gegenstände entstehen. Nehmen Sie abgestellte Gegenstände vom Kühlschrank herunter.

#### Fließ- oder Spritzgeräusche sind zu hören.

- Aus technischen Gründen bewegen sich Flüssigkeiten und Gase innerhalb des Gerätes. Dies ist völlig normal und keine Fehlfunktion.

#### Windähnliche Geräusche sind zu hören.

- Zum gleichmäßigen Kühlen werden Ventilatoren eingesetzt. Dies ist völlig normal und keine Fehlfunktion.

#### Kondensation an den Kühlschrankinnenflächen.

- Bei heißen und feuchten Wetterlagen tritt verstärkt Eisbildung und Kondensation auf. Dies ist völlig normal und keine Fehlfunktion.
- Die Türen wurden eventuell nicht richtig geschlossen; Türen komplett schließen.
- Türen wurden häufig geöffnet oder längere Zeit nicht richtig geschlossen; weniger häufig öffnen.

#### Feuchtigkeit sammelt sich an der Außenseite des Kühlschranks oder an den Türen.

- Eventuell herrscht hohe Luftfeuchtigkeit; dies ist je nach Wetterlage völlig normal. Die Kondensation verschwindet, sobald die Feuchtigkeit abnimmt.

#### Unangenehmer Geruch im Kühlschrankinnenraum.

- Das Innere des Kühlschranks muss gereinigt werden. Reinigen Sie das Innere des Kühlschranks mit einem Schwamm, den Sie mit lauwarmem oder kohlenstoffhaltigem Wasser angefeuchtet haben.
- Bestimmte Behälter oder Verpackungsmaterialien verursachen den Geruch. Verwenden Sie andere Behälter oder Verpackungsmaterial einer anderen Marke.

#### Die Tür wurde nicht richtig geschlossen.

- Lebensmittelpackungen verhindern eventuell das Schließen der Tür. Entfernen Sie die Verpackungen, welche die Tür blockieren.
- Der Kühlschrank steht nicht mit sämtlichen Füßen fest auf dem Boden und schaukelt bei kleinen Bewegungen. Stellen Sie die Höheneinstellschrauben ein.
- Der Boden ist nicht eben oder nicht stabil genug. Achten Sie darauf, dass der Boden eben ist und das Gewicht des Kühlschranks problemlos tragen kann.

#### Das Gemüsefach klemmt.

- Die Lebensmittel berühren eventuell den oberen Teil der Schublade. Ordnen Sie die Lebensmittel in der Schublade anders an.

## **Gelieve eerst deze gebruiksaanwijzing te lezen!**

Beste klant,

We hopen dat uw product, dat in een moderne fabriek werd geproduceerd en onder de meest nauwkeurige procedures voor kwaliteitscontrole werd gecontroleerd, u doeltreffend van dienst zal zijn.

Wij bevelen daarom aan dat u eerst zorgvuldig de volledige gebruiksaanwijzing van uw product leest voordat u het product gaat gebruiken. Bewaar de handleiding voor toekomstige raadpleging.




## **Deze gebruiksaanwijzing**

- Helpt u uw toestel snel en veilig te gebruiken.
- Lees de gebruiksaanwijzing voordat u het product installeert en gebruikt.
- Volg de instructies, in het bijzonder die met betrekking tot veiligheid.
- Bewaar de gebruiksaanwijzing op een eenvoudig toegankelijke plaats aangezien u deze later nodig kunt hebben.
- Daarnaast dient u ook de andere documenten die bij uw product worden geleverd te lezen.

Let erop dat deze gebruiksaanwijzing ook voor andere modellen kan gelden.

## **Symbolen en hun beschrijvingen**

Deze instructiehandleiding bevat de volgende symbolen:

-  Belangrijke informatie of nuttige gebruikstips.
-  Waarschuwing tegen gevaarlijke omstandigheden voor leven en eigendommen.
-  Waarschuwing tegen elektrische spanning.



Dit product bevat het symbool voor selectief sorteren van afval van elektrische

uitrustingen en elektronica (WEEE).

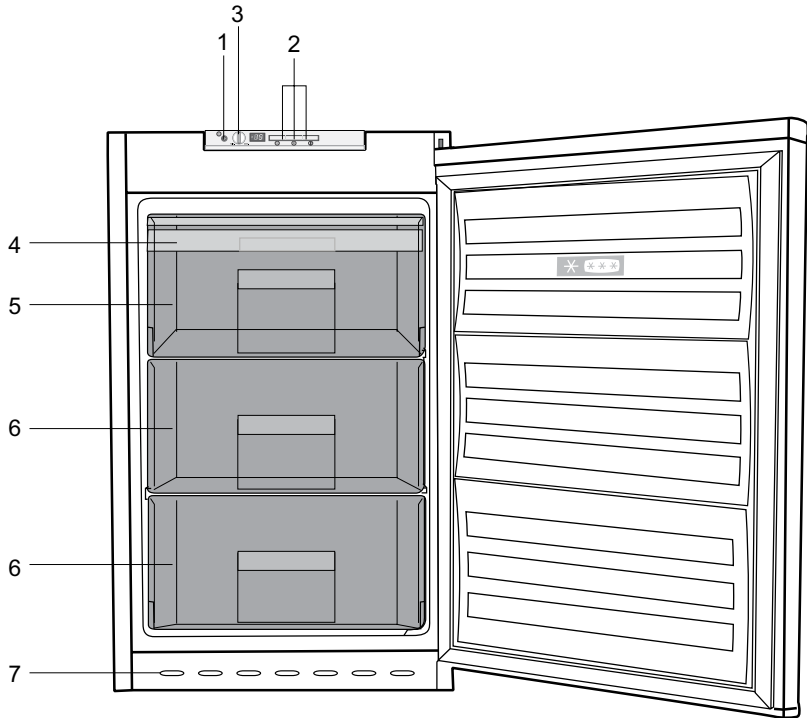
Dit betekent dat dit product moet worden gehanteerd overeenkomstig de Europese richtlijn 2002/96/EC ten einde te worden gerecycleerd of gedemonteerd om de impact op het milieu te minimaliseren. Voor meer informatie, neem a.u.b. contact op met uw plaatselijke of regionale overheid.

Elektronische producten die niet selectief gesorteerd worden, zijn potentieel gevaarlijk voor het milieu en de gezondheid van de mens omwille van de aanwezigheid van gevaarlijke stoffen.

## INHOUD

<b>1 Uw koelkast</b>	<b>3</b>	<b>4 Gebruik van uw koelkast</b>	<b>11</b>
		Led-lampjes en bedieningspaneel	11
		De werkingstemperatuur instellen	12
<b>2 Belangrijke Veiligheidswaarschuwingen</b>	<b>4</b>	<b>5 Onderhoud en reiniging</b>	<b>15</b>
Bedoeld gebruik	4	Bescherming van de Plastic Oppervlakken	15
Voor producten met een waterdispenser;	6		
Kinderbeveiliging	6		
HCA-waarschuwing	6		
Aanwijzingen ter besparing van energie	6	<b>6 Aanbevolen oplossingen voor problemen</b>	<b>16</b>
<b>3 Installatie</b>	<b>7</b>		
Vorbereiding	7		
Aandachtspunten bij het opnieuw transporteren van uw koelkast	7		
Voor het instellen van uw koelkast	8		
Stelvoetjes	8		
Elektrische aansluiting	8		
Eerste ingebruikname	9		
Afvoeren van de verpakking	9		
Afvoeren van uw oude koelkast	9		
De deuren omkeren	10		

# 1 Uw koelkast



1. Fast-Freeze-schakelaar (snelvriezen)
2. Indicatorlampjes
3. Thermostaatknop
4. Ijsvoorraad
5. Fast-freeze-vak
6. Diepvriesvakken
7. Luchtrooster

**i** De afbeeldingen in deze gebruiksaanwijzing zijn schematisch en hoeven niet exact met uw product overeen te komen. Wanneer onderdelen niet tot het product behoren dat u hebt gekocht, zijn deze geldig voor andere modellen.

## 2 Belangrijke Veiligheidswaarschuwingen

Gelieve de volgende informatie goed te bestuderen. Niet-inachtneming van deze informatie kan verwondingen of materiële schade veroorzaken. In dat geval worden alle garanties en betrouwbaarheidsengagementen ongeldig. De levensduur van de unit die u heeft aangekocht is 10 jaar. Dit is de periode dat u benodigde reserveonderdelen dient te bewaren om de unit te laten werken zoals beschreven.

### Bedoeld gebruik

Dit product is bedoeld voor gebruik

- binnen en in afgesloten ruimtes zoals huizen;
- in afgesloten werkomgevingen zoals winkels en kantoren;
- in afgesloten verblijfplaatsen zoals boerenhoeves, hotels, pensions.
- Dit toestel mag niet buitenshuis worden gebruikt.

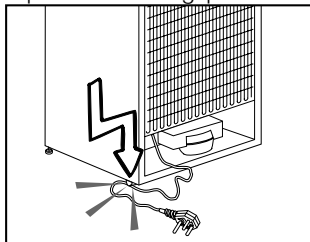
### Algemene veiligheid

- Wanneer u het product wenst af te voeren, raden wij u aan de bevoegde onderhoudsdienst te raadplegen om de benodigde informatie en bevoegde instanties te leren kennen.
- Raadpleeg uw bevoegde onderhoudsdienst voor alle vragen en problemen met betrekking tot de koelkast. Voer geen ingrepen aan de koelkast uit en laat dit ook niet door iemand anders doen zonder de bevoegde onderhoudsdienst op de hoogte te stellen.
- Voor producten met een diepvriesvak; Eet geen ijs of ijsblokjes meteen nadat u deze uit het diepvriesvak heeft gehaald. (Dit kan bevriezing in uw mond veroorzaken.)
- Voor producten met een diepvriesvak; Plaats geen flessen of blikjes met vloeibare dranken in het diepvriesvak. Deze zouden kunnen barsten.
- Raak ingevroren levensmiddelen niet met de hand aan; deze kunnen aan uw hand vastplakken.
- Trek de stekker van uw koelkast uit het stopcontact voordat u deze schoonmaakt of ontdooit.
- Bij het schoonmaken en ontdooien van de koelkast mogen geen stoom en stoomreinigers gebruikt worden. De stoom kan in contact komen met de elektrische onderdelen en kortsluiting of een elektrische schok veroorzaken.
- Gebruik geen onderdelen van uw koelkast zoals de deur als steun of opstapje.
- Gebruik geen elektrische apparaten binnen in de koelkast.
- Beschadig de onderdelen, waar de koelmoeistof circuleert, niet door boor- of snijgereedschap. De koelmoeistof kan naar buiten geblazen worden wanneer de gasleidingen van de verdampers, leidingverlengingen of oppervlaktecoatings worden doorboord en dit kan huidirritatie en oogletsel veroorzaken.
- Dek of blokkeer de ventilatieopeningen van uw koelkast met geen enkel materiaal.
- Elektrische toestellen mogen enkel door bevoegde personen worden hersteld. Reparaties die door onbevoegde personen worden uitgevoerd kunnen een risico voor de gebruiker opleveren.
- In geval van storing of tijdens onderhoud- of reparatiewerkzaamheden, sluit de stroomtoevoer van de koelkast af door de zekering uit te schroeven of de stekker van het apparaat uit te trekken.
- Bij het uittrekken van de stekker deze niet aan de kabel uittrekken.
- Plaats alcoholische dranken goed afgesloten en verticaal.
- Bewaar nooit spuitbussen met een ontvlambare of explosieve inhoud in de koelkast.
- Gebruik geen andere mechanische gereedschappen of andere middelen om

het ontdooiproces te versnellen dan deze aangeraden door de fabrikant.

- Dit product is niet bestemd voor gebruik door personen met een fysieke, zintuiglijke of mentale stoornis of ongeschoolde of onervaren mensen (inclusief kinderen) tenzij deze worden bijgestaan door een persoon die verantwoordelijk is voor hun veiligheid of die hen dienovereenkomstig instructies geeft bij het gebruik van het product
- Gebruik geen beschadigde koelkast. Neem contact op met de dealer als u vragen heeft.
- Elektrische veiligheid van uw koelkast wordt alleen gegarandeerd wanneer het aardingssysteem in uw huis aan de normen voldoet.
- Blootstelling van het product aan regen, sneeuw, zon en wind is gevaarlijk met betrekking tot de elektrische veiligheid.
- Neem contact op met een bevoegde dienst wanneer de stroomkabel beschadigd is om zo gevaar te voorkomen.
- Steek tijdens installatie nooit de stekker van de koelkast in de wandcontactdoos. Er bestaat een kans op overlijden of serieus letsel.
- Deze koelkast is enkel bestemd voor het bewaren van voedsel. Hij mag niet voor andere doeleinden worden gebruikt.
- Het label met technische specificaties bevindt zich aan de linkerwand binnenin de koelkast.
- Sluit je koelkast nooit aan op energiebesparende systemen; deze kunnen de koelkast beschadigen.
- Als er een blauw licht op de koelkast schijnt, kijk er dan niet naar met optische gereedschappen.
- Wacht bij handmatig bediende koelkasten minstens 5 minuten met het aanzetten van de koelkast na stroomuitval.
- Deze gebruikershandleiding moet aan de nieuwe eigenaar van het toestel gegeven worden wanneer het toestel doorgegeven wordt.
- Vermijd schade aan de stroomkabel

bij transport van de koelkasten. De kabel plooiën kan vuur veroorzaken. Plaats geen zware voorwerpen op de stroomkabel. Raak de stekker niet aan met natte handen wanneer deze in het stopcontact wordt geplaatst.



- Plaats de stekker van de koelkast niet in het stopcontact als dit stopcontact los is.
- Er mag geen water rechtstreeks op de binnen- of buitendelen van het toestel gesproeid worden omwille van veiligheidsredenen.
- Sproei geen stoffen met ontvlambare gassen zoals propaangas dichtbij de koelkast om gevaar op vuur en ontploffing te voorkomen.
- Plaats geen containers gevuld met water op de koelkast, dit kan elektrische schokken of vuur veroorzaken.
- Overlaad je koelkast niet met overdadige hoeveelheden voedsel. Indien de koelkast overladen is, kan voedsel naar beneden vallen bij het openen en u kwetsen of de koelkast beschadigen. Plaats geen objecten op de koelkast; deze kunnen naar beneden vallen wanneer u de deur open of dicht doet.
- Producten die een nauwkeurige temperatuurregeling nodig hebben (vaccins, hittegevoelige medicatie, wetenschappelijke materialen, enz.) mogen niet in koelkast bewaard worden.
- De koelkast moet worden losgekoppeld indien deze langdurig niet wordt gebruikt. Een mogelijk probleem met de stroomkabel kan vuur veroorzaken.
- Het uiteinde van de stekker moet regelmatig worden gereinigd, anders kan dit vuur veroorzaken.
- De koelkast kan bewegen als de stelvoetjes niet juist op de vloer worden

vastgezet. De stelvoetjes juist vastzetten op de vloer kan voorkomen dat de koelkast beweegt.

- Hef de koelkast niet aan het handvat bij verplaatsing. Anders breekt het.
- Als u het product naast een andere koelkast of diepvriezer plaatst, moet de afstand hier tussen minstens 8 cm zijn. Anders kunnen aaneensluitende zijwanden nat worden.

## Voor producten met een waterdispenser;

De waterleidingdruk dient minstens 1 bar te bedragen. De waterleidingdruk mag maximaal 8 bar te bedragen.

- Gebruik alleen drinkwater.

## Kinderbeveiliging

- Indien de deur een slot heeft, moet de sleutel buiten het bereik van kinderen worden gehouden.
- Kinderen moeten onder toezicht staan om te voorkomen dat ze met het product knoeien.

## HCA-waarschuwing

### Als het koelsysteem van uw product R600a bevat:

Dit gas is ontvlambaar. Zorg daarom tijdens gebruik en transport dat het koelsysteem en de leidingen niet beschadigd raken. In het geval van schade: houd uw product weg van mogelijke ontstekingsbronnen die kunnen veroorzaken dat het product vuur vat en ventileer de ruimte waarin de unit is geplaatst.

### Negeer deze waarschuwing als het koelsysteem van uw product R134a bevat.

Het type gas dat in dit product wordt gebruikt staat vermeld op de typeplaat aan de linkerwand binnenin de koelkast.

Gooi het product nooit in vuur voor verwijdering.

## Aanwijzingen ter besparing van energie

- Houd de deuren van uw koelkast niet lang open.
- Plaats geen warme levensmiddelen of dranken in de koelkast.
- Overlaad de koelkast niet zodat luchtcirculatie aan de binnenzijde niet geblokkeerd wordt.
- Plaats de koelkast niet in direct zonlicht of naast warmteafgevend apparaten zoals een oven, vaatwasser of radiator.
- Bewaar uw levensmiddelen in gesloten bakjes.
- Voor producten met een diepvriesvak; U kunt een maximale hoeveelheid voedsel in de diepvries bewaren wanneer u de schappen of lade uit de diepvries verwijdert. De waarde voor energieconsumptie van uw diepvries werd vastgesteld door verwijdering van de diepvries schappen of laden en onder de maximum hoeveelheid. Er bestaat geen risico bij het gebruik van een schap of lade volgens de vorm en grootte van het in te vriezen voedsel.
- Het ontdooien van ingevroren voedsel in het koelkastgedeelte voorziet in energiebesparing en behoud van de voedselkwaliteit.

## 3 Installatie

---

- i** De fabrikant kan niet aansprakelijk worden gesteld indien de informatie van deze gebruiksaanwijzing niet in acht wordt genomen.

### Vorbereiding

- Uw koelkast moet worden geïnstalleerd op minstens 30 cm afstand van warmtebronnen zoals kookplaten, centrale verwarming en kachels en op minstens 5 cm afstand van elektrische ovens. De koelkast mag niet in direct zonlicht worden geplaatst.
- De omgevingstemperatuur van de kamer waarin u de koelkast installeert dient minstens 10°C te zijn. In verband met efficiëntie wordt gebruik van uw koelkast in koudere omstandigheden niet aanbevolen.
- Controleer of de binnenzijde van uw koelkast volledig schoon is.
- Bij installatie van twee koelkasten naast elkaar, moeten de koelkasten op een afstand van minstens 2 cm van elkaar worden geplaatst.
- Originele verpakking en schuimmaterialen moeten worden bewaard voor toekomstig transport of verhuizen.

### Aandachtspunten bij het opnieuw transporteren van uw koelkast

1. Voor transport dient de koelkast leeg en schoon te zijn.
2. In verband met schokken moeten de schappen, accessoires, groentelade enz. in uw koelkast met plakband vastgezet worden voordat de koelkast opnieuw wordt verpakt.
3. Verpakking moet worden vastgebonden met dikke tape en sterke touwen en de transportregels, gedrukt op de verpakking, moeten opgevolgd worden.

### Onthoud...

Ieder gerecycled materiaal is een essentiële bron voor de natuur en onze nationale bronnen.

Indien u een bijdrage wilt leveren aan recycling van verpakkingsmateriaal, kunt u meer informatie krijgen bij de milieuintstanties of plaatselijke autoriteiten.



## Voor het instellen van uw koelkast

Voordat u uw koelkast gaat gebruiken, controleer of:

- 1- De binnenzijde van de koelkast schoon is en de luchtcirculatie aan de achterzijde vrij kan plaatsvinden?
- 2- Maak de binnenkant van de koelkast proper, zoals aanbevolen in het hoofdstuk "Onderhoud en reiniging".
- 3- Steek de stekker van de koelkast in het stopcontact. Wanneer de deur wordt geopend, gaat het respectievelijke binnenlampje branden.
- 4- U zult een geluid horen wanneer de compressor opstart. De vloeistof en de gassen die zich in het koelsysteem bevinden, zouden ook wat lawaai kunnen veroorzaken zelfs wanneer de compressor niet werkt. Dit is normaal. Als gevolg van de werking van de ventilatoren binnenin het apparaat, kan het algehele geluidsniveau enigszins hoger liggen dan voor apparaten zonder non-forst. Dit is normaal en geen defect.
- 5- De buitenkant van de koelkast kan warm aanvoelen. Dit is normaal. Deze oppervlakken zijn bedoeld om warm te worden om condensvorming te voorkomen.

## Stelvoetjes

Wanneer uw koelkast niet waterpas staat; U kunt uw koelkast waterpas stellen door aan de stelvoetjes te draaien zoals getoond in de afbeelding. De hoek van het stelvoetje wordt verlaagd wanneer u in de richting van de zwarte pijl draait en wordt verhoogd wanneer u in de tegenovergestelde richting draait. Wanneer iemand u hierbij helpt door de koelkast lichtjes op te tillen vereenvoudigt dit het proces.

## Elektrische aansluiting

Sluit uw koelkast aan in een geaard stopcontact, beschermd door een zekering, met de juiste capaciteit.

Belangrijk:

- De aansluiting moet conform de nationale voorschriften zijn.
  - De stekker van de stroomkabel moet na installatie eenvoudig bereikbaar zijn.
  - Spanning en toegestane zekeringbescherming worden vermeld in het hoofdstuk "Specificaties".
  - De gespecificeerde spanning moet gelijk zijn aan uw netspanning.
  - Verlengkabels en meerwegstekkers mogen voor aansluiting niet worden gebruikt.
-  Een beschadigd netsnoer moet worden vervangen door een erkende electricien.
-  Het apparaat mag niet in werking worden gesteld voordat het gerepareerd is!  
Gevaar op een elektrische schok!

## Eerste ingebruikname

- Wanneer u de koelkast voor de eerste keer in gebruik neemt, gelieve tijdens de eerste zes uur de volgende instructies in acht te nemen.
  - De knop voor temperatuurstelling mag niet uitgedraaid worden.
  - De deur niet regelmatig openen.
  - Koelkast moet in bedrijf gesteld worden zonder levensmiddelen.
  - Trek de stekker van uw koelkast niet uit; indien zich een stroomstoring voordoet buiten uw macht, zie de waarschuwingen in het deel "Aanbevolen oplossingen voor problemen".

## Afvoeren van de verpakking

De verpakkingsmaterialen kunnen gevaarlijk zijn voor kinderen. Houd het verpakkingsmateriaal buiten bereik van kinderen of voer deze af conform afvalinstructies. Gooi het materiaal niet weg bij het normale huishoudelijk afval.

De verpakking van uw koelkast is vervaardigd uit herbruikbare materialen.

## Afvoeren van uw oude koelkast

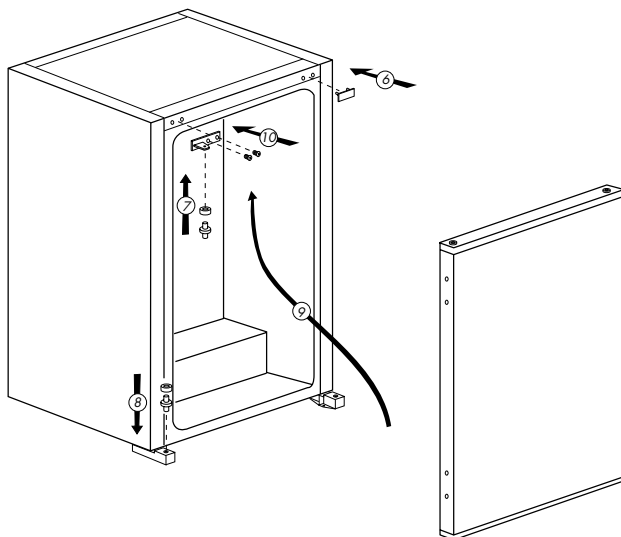
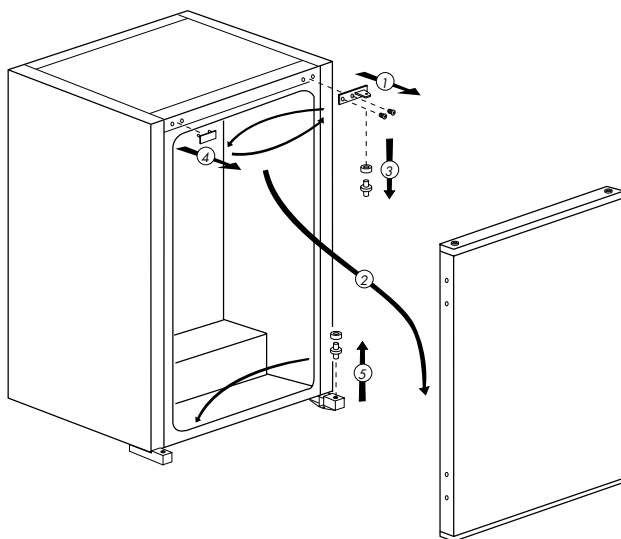
Voer uw oude machine af zonder het milieu op enige wijze te schaden.

- U kunt uw bevoegde dealer of het afvalcentrum van uw gemeente raadplegen over het afvoeren van uw koelkast.

Voordat u uw koelkast afvoert, knip de elektrische stekker af. Indien het apparaat is uitgevoerd met deursluitingen, dit slot dan onbruikbaar maken om kinderen tegen gevaar te beschermen.

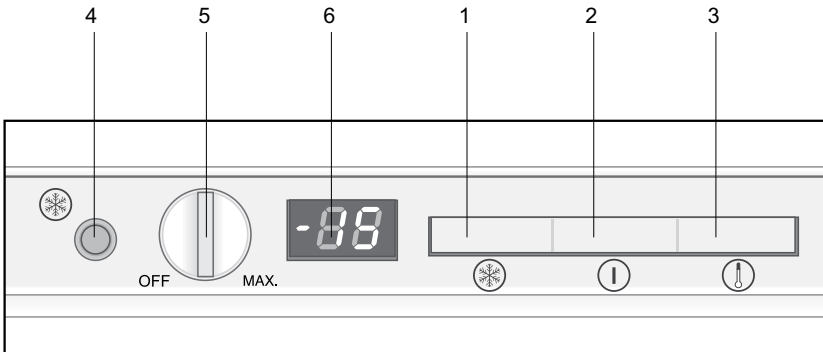
## De deuren omkeren

Ga verder in numerieke volgorde.



## 4 Gebruik van uw koelkast

### Led-lampjes en bedieningspaneel



#### Geel lampje (1)

Brandt wanneer de fast-freeze-schakelaar (4) is ingeschakeld en blijft maximaal 32 uur branden of totdat de fast-freeze-knop wordt uitgeschakeld. De functie fast-freeze (snelvriezen) is bedoeld voor het invriezen van verse etenswaren (zie het hoofdstuk over het invriezen van verse etenswaren).

#### Groen lampje (2)

Brandt wanneer het apparaat op de stroom is aangesloten en blijft branden zolang er elektriciteit is. Het groene lampje geeft geen informatie over de temperatuur binnenin de vriezer.

#### Rood lampje (3)

Brandt

- Wanneer de binnentemperatuur boven  $-5\text{ }^{\circ}\text{C}$  stijgt. (Het lampje gaat uit wanneer de temperatuur onder de  $-9\text{ }^{\circ}\text{C}$  daalt).
- Als het apparaat te vol is geladen met verse etenswaren.
- Als de deur van de diepvriezer onopzettelijk wordt open gelaten.

Opmerkingen: Het rode lampje heeft een ingebouwde vertraging.

Wanneer het toestel van stroom wordt voorzien, brandt het rode lampje gedurende 24 uur niet.

#### Thermostaatknop (5)

De thermostaatknop bevindt zich in het frame van de indicatorlampjes.

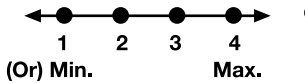
Belangrijk:

Als u de schakelaar fast-freeze (snelvriezen) indrukt of de ingestelde temperatuur wijzigt, kan het enige tijd duren voordat de compressor begint te werken. Dit is normaal en geen defect aan de compressor.

E0 knippert op scherm als er een storing is aan de diepvriessensor.

## De werkingstemperatuur instellen

De werkingstemperatuur wordt geregeld via de temperatuursturing.



1 = Laagste koelinstelling (Warmste instelling)

4 = Hoogste koelinstelling (Koudste instelling)

(Of)

Min. = Laagste koelstand (warmste instelling)

Max. = Hoogste koelstand (koudste instelling)

Kies een stand overeenkomstig de gewenste temperatuur.

De binnentemperatuur hangt ook af van de omgevingstemperatuur, hoe vaak de deur geopend wordt en de hoeveelheid voedsel die binnenin bewaard wordt.

Wanneer u de deur vaak opent stijgt de temperatuur in de koelkast.

Het is daarom raadzaam om de deur na elk gebruik zo snel mogelijk te sluiten.

De normale bewaartemperatuur van uw apparaat moet -18 °C (0 °F) bedragen. Als de thermostaatknop naar links wordt gedraaid vanuit stand 1, wordt het toestel uitgeschakeld en hoort u een klikgeluid. U kunt lagere temperaturen krijgen door de thermostaatknop in richting van stand 4 te draaien.

Wij raden aan de temperatuur met een nauwkeurige thermometer te controleren zodat u zeker weet dat in de gewenste temperatuur in de bewaarvakken wordt gehandhaafd.

Lees de temperatuur van de thermometer onmiddellijk af. Deze stijgt namelijk snel wanneer u de thermometer weer uit de vriezer haalt.

### Voedsel invriezen

De diepvriezer is gemarkeerd met symbool op de deurrand.

U kunt het apparaat gebruiken om verse etenswaren in te vriezen of om diepvriesproducten te bewaren.

Raadpleeg de aanbevelingen op de verpakking van de etenswaren.

### **Opgelet**

Vries geen koolzuurhoudende dranken in; wanneer de vloeistof bevroert kan de fles barsten.

Wees voorzichtig met diepvriesproducten zoals gekleurde ijsblokjes.

Overschrijd de vriescapaciteit van uw apparaat niet binnen een periode van 24 uur. Zie het typeplaatje.

Om de kwaliteit van het voedsel te behouden, moet het invriezen zo snel mogelijk gebeuren.

Op die manier zal de invriescapaciteit niet worden overschreden en zal de temperatuur in de diepvriezer niet stijgen.

### **Opgelet**

Houd het al diepgevroren voedsel altijd apart van vers voedsel.

Bij het invriezen van warm voedsel, werkt de koelcompressor tot het voedsel volledig bevroren is. Dit kan tijdelijk leiden tot een overmatige koeling van het koelkastgedeelte.

Maak u geen zorgen als u de deur van de diepvriezer moeilijk kunt openen net nadat u deze gesloten hebt. Dit komt door het drukverschil. Het drukverschil wordt na enkele minuten genivelleerd zodat u de deur weer normaal kunt openen.

U hoort een vacuümgeluid net nadat u de deur sluit. Dit is normaal.

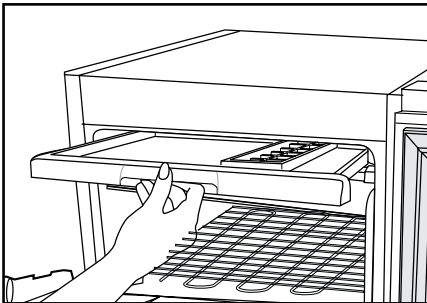
### Ijsblokjes maken

Vul de vorm voor  $\frac{3}{4}$  met water en plaats hem in de diepvriezer.

Zodra het water bevroren is, kunt u de ijsblokjes verwijderen.

Gebruik nooit scherpe voorwerpen, zoals messen en vorken om ijsblokjes te verwijderen. U kunt zichzelf verwonden!

Laat de ijsblokjes lichtjes ontdooien of plaats de onderkant van de vorm korte tijd in water.



### Fast-Freeze (snelvriezen)

Als u grote hoeveelheden verse producten gaat invriezen, duwt u de fast-freeze-schakelaar in 24 uur voordat u de producten in het fast-freeze-vak plaatst.

Wij raden aan om de fast-freeze-schakelaar minimaal 24 uur aan te laten staan om de maximale hoeveelheid verse producten (aangegeven als vriescapaciteit) in te vriezen. Zorg dat u geen diepvriesproducten met verse etenswaren mengt.

### Ontdooien van het apparaat

Overmatige ijsvorming op de wanden van de diepvriezer kan de vriesprestaties van uw apparaat nadelig beïnvloeden.

Ontdooi uw apparaat dus minstens twee keer per jaar of telkens wanneer de ijslaag dikker is dan 7 mm.

Ontdooi het apparaat wanneer het zo goed als of helemaal leeg is.

Neem de diepgevroren producten uit het apparaat. Wikkel de diepgevroren producten in verschillende lagen krantenpapier of in een deken, en bewaar ze op een koude plaats.

Trek de stekker uit het stopcontact of schakel de zekering uit voordat u met ontdooien begint.

Verwijder de toebehoren (de rekken, de laden, enz.) uit het apparaat en gebruik een geschikte bak om het dooiwater op te vangen.

Gebruik indien nodig een spons of een zachte doek om het dooiwater te verwijderen.

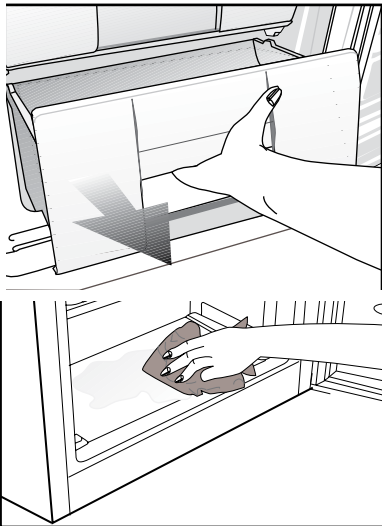
Laat de deur tijdens het ontdooien open.

Plaats bakken met warm water in het apparaat om het ontdooien te versnellen.

Gebruik nooit elektrische apparatuur, ontdooisprays of puntige of scherpe voorwerpen zoals messen of vorken om het ijs te verwijderen.

Zodra het ontdooiproces is afgerond, maakt u de binnenzijde schoon (zie sectie 'Schoonmaak en onderhoud').

Steek de stekker van het apparaat opnieuw in het stopcontact. Leg de ingevroren etenswaren in de laden en schuif deze in de diepvriezer.



## 5 Onderhoud en reiniging

---

- ⚠ Gebruik nooit benzine, benzeen of gelijksoortige substanties voor het reinigen.
- ⚠ We raden aan om de stekker van het product uit te trekken voordat u met schoonmaken begint.
- Gebruikt nooit scherpe voorwerpen, zeep, huishoudelijke reinigingsmiddelen en materialen met afwasmiddel of boenwas voor het poetsen.
- Maak de binnenzijde van uw koelkast schoon met handwarm water en droog deze goed af.
- Veeg de binnenzijde schoon met een vochtige doek, uitgewrongen in een oplossing van één koffielepel natriumcarbonaat op 1 l. water, vervolgens goed drogen.
- Zorg ervoor dat er geen water in het lampkastje en andere elektrische onderdelen terecht komt.
- Als de koelkast voor een lange periode niet wordt gebruikt, schakel deze dan uit, verwijder al de etenswaren, maak de unit schoon en laat de deur op een kier staan.
- Controleer regelmatig of de deurstrippen schoon zijn en of er geen deeltjes op vast zitten.
- Neem alle producten uit de deurschappen, til de schappen op en verwijder deze uit de deur.

### Bescherming van de Plastic Oppervlakken

- Plaats geen olie of in olie bereide maaltijden in open bakjes in de koelkast. Deze kunnen de plastic oppervlakken van uw koelkast beschadigen. In het geval olie wordt gemorst of op de plastic oppervlakke terecht komt, onmiddellijk deze plek reinigen met lauw water en drogen.



## 6 Aanbevolen oplossingen voor problemen

Controleer de volgende punten voordat u de onderhoudsdienst belt. Dit kan u tijd en geld besparen. Deze lijst omvat regelmatige klachten die niet voortkomen uit defect vakmanschap of materiaalgebruik. Het is mogelijk dat bepaalde functies die hier beschreven zijn niet tot uw product behoren.

De koelkast werkt niet.
<ul style="list-style-type: none"><li>• Zit de stekker van de koelkast goed in het stopcontact? Steek de stekker in het stopcontact.</li><li>• Is de zekering van het stopcontact waarop de koelkast is aangesloten of de hoofdzekering gesprongen? Controleer de zekering.</li></ul>
Condensvorming langs de wand van het koelgedeelte (MULTI ZONE, COOL CONTROL en FLEXI ZONE).
<ul style="list-style-type: none"><li>• Zeer koude omgevingsomstandigheden. Regelmatig openen en sluiten van de deur. Zeer vochtige omgevingsomstandigheden. Bewaren van levensmiddelen met vloeistof in open bakjes. De deur staat op een kier. Zet de thermostaat kouder.</li><li>• Zorg dat de deur minder lang open staat of dat deze minder vaak wordt geopend.</li><li>• Dek de eetwaar die in open bakjes wordt bewaard af met een daarvoor geschikt materiaal.</li><li>• Veeg condens af met een droge doek en controleer of condensvorming aanhoudt.</li></ul>
De compressor draait niet
<ul style="list-style-type: none"><li>• Thermische bescherming van de compressor kan springen gedurende plotselinge stroomuitval of afsluiting van de stroomtoevoer wanneer de druk van het koelmiddel in het koelsysteem van de koelkast niet in balans is. De koelkast gaat na ongeveer 6 minuten draaien. Neem contact op met de onderhoudsdienst wanneer uw koelkast na deze periode niet start.</li><li>• De koelkast zit in een ontdooicyclus. Dit is normaal voor een volledig automatisch ontdooiende koelkast. Ontdooicyclus vindt periodiek plaats.</li><li>• De stekker van uw koelkast steekt niet in het stopcontact. Zorg ervoor dat de stekker correct in het stopcontact is gestoken.</li><li>• Zijn de temperatuurinstellingen goed ingesteld?</li><li>• De stroom werd mogelijk onderbroken.</li></ul>
De koelkast werkt frequent of gedurende lange tijd.

<ul style="list-style-type: none"> <li>• Uw nieuwe product kan breder zijn dan de vorige. Dit is normaal. Grote koelkasten werken gedurende langere tijd.</li> <li>• De omgevingstemperatuur kan hoog zijn. Dit is normaal.</li> <li>• De stekker van de koelkast kan onlangs ingestoken zijn of de koelkast kan zijn volgeladen met etenswaren. Het compleet afkoelen van de koelkast kan enkele uren langer in beslag nemen.</li> <li>• Grote hoeveelheden warme levensmiddelen kunnen recentelijk in de koelkast zijn geplaatst. Warme levensmiddelen maken dat de koelkast langer werkt tot deze eetwaar de veilige bewaarstemperatuur heeft bereikt.</li> <li>• Deuren kunnen regelmatig geopend zijn of gedurende enige tijd op een kier hebben gestaan. De warme lucht die in de koelkast is binnengekomen maakt dat de koelkast langer werkt. Open de deuren minder vaak.</li> <li>• De deur van het diepvries- of koelgedeelte kan op een kier hebben gestaan. Controleer of de deuren goed gesloten zijn.</li> <li>• De koelkast is zeer koud ingesteld. Stel de koelkasttemperatuur hoger en wacht tot de temperatuur wordt bereikt.</li> <li>• Deurafdichting van de koelkast of diepvriezer kan vuil, versleten, gebroken of niet goed geplaatst zijn. Maak de afdichting schoon of vervang deze. Een beschadigde/gebroken afdichting maakt dat de koelkast langer moet werken om de huidige temperatuur te handhaven.</li> </ul>
Diepvriestemperatuur is erg laag terwijl de koelkasttemperatuur voldoende is.
<ul style="list-style-type: none"> <li>• De diepvriestemperatuur is zeer koud ingesteld. Stel de diepvriezertemperatuur hoger in en controleer.</li> </ul>
Koelkasttemperatuur is erg laag terwijl de diepvries temperatuur voldoende is.
<ul style="list-style-type: none"> <li>• De koelkasttemperatuur is mogelijk zeer koud ingesteld. Stel de koelkasttemperatuur hoger in en controleer.</li> </ul>
Etenswaren die in laden van het koelgedeelte worden bewaard, bevroren.
<ul style="list-style-type: none"> <li>• De koelkasttemperatuur is mogelijk zeer koud ingesteld. Stel de koelkasttemperatuur hoger in en controleer.</li> </ul>
Temperatuur in de koelkast of diepvriezer is zeer hoog.
<ul style="list-style-type: none"> <li>• De koelkasttemperatuur is mogelijk zeer warm ingesteld. Koelkastinstelling is van invloed op de temperatuur van de diepvriezer. Verander de temperatuur van de koelkast of diepvriezer totdat de temperatuur van de koelkast of diepvriezer het gewenste niveau bereikt.</li> <li>• Deuren kunnen regelmatig geopend zijn of gedurende enige tijd op een kier hebben gestaan; doe ze minder vaak open.</li> <li>• De deur is mogelijk op een kier blijven staan; doe de deur volledig dicht.</li> <li>• Grote hoeveelheden warme levensmiddelen kunnen recentelijk in de koelkast zijn geplaatst. Wacht tot de koelkast of diepvriezer de gewenste temperatuur heeft bereikt.</li> <li>• De koelkast kan recentelijk ingeschakeld zijn. Het kost tijd om de koelkast volledig te laten afkoelen.</li> </ul>
Het werkingsgeluid neemt toe wanneer de koelkast werkt.
<ul style="list-style-type: none"> <li>• De werking van de koelkast kan veranderen als gevolg van wijzigingen in de omgevingstemperatuur. Dit is normaal en geen defect.</li> </ul>

#### Vibratie of geluid.

- De vloer is niet gelijk of is zwak. De koelkast kantelt een beetje wanneer langzaam wordt bewogen. Zorg dat de vloer vlak vlak en sterk genoeg is om de koelkast te dragen.
- Het geluid kan worden veroorzaakt door voorwerpen die op de koelkast zijn geplaatst. Voorwerpen bovenop de koelkast moeten worden verwijderd.

#### Een geluid van morsende of sprayende vloeistof komt uit de koelkast.

- Vloeistof- en gasstromen vinden plaats conform de werkingsprincipes van uw koelkast. Dit is normaal en geen defect.

#### Een geluid van wind die blaast.

- Er worden ventilatoren gebruikt om de koelkast te koelen. Dit is normaal en geen defect.

#### Condens op de binnenwanden van de koelkast.

- Met warm en vochtig weer neemt ijs- en condensvorming toe. Dit is normaal en geen defect.
- De deuren kunnen op een kier hebben gestaan, zorg ervoor dat de deuren volledig gesloten zijn.
- Deuren kunnen regelmatig geopend zijn of gedurende enige tijd op een kier hebben gestaan; doe ze minder vaak open.

#### Vocht aan de buitenkant van de koelkast of tussen de deuren.

- De lucht is mogelijk vochtig; dit is vrij normaal bij vochtig weer. Wanneer de vochtigheid minder wordt, zal de condens verdwijnen.

#### Slechte geur binnenin de koelkast.

- De binnenkant van de koelkast moet gereinigd worden. Maak de binnenkant van de koelkast schoon met een spons met lauw of sodawater.
- Sommige bakjes of verpakkingsmaterialen kunnen de geur veroorzaken. Gebruik een ander bakje of ander soort verpakkingsmateriaal.

#### De deur sluit niet.

- Het kan zijn dat voedselpakketjes veroorzaken dat de deur niet sluit. Verplaats de pakketjes die de deur belemmeren.
- De koelkast staat niet volledig waterpas op de vloer en wiebelt wanneer ze lichtjes wordt verplaatst. Stel de hoogteschroeven anders in.
- De vloer is niet gelijk of stevig. Zorg dat de vloer vlak is en de koelkast kan dragen.

#### Groenteladen zitten vast.

- De levensmiddelen kunnen de bovenzijde van de lade raken. Herschik de levensmiddelen in de lade.

## **Пожалуйста, сначала прочтите данное руководство!**

Уважаемый покупатель!

Надеемся, что наше изделие, выпущенное на современных предприятиях, и проверенное с помощью самых тщательных процедур контроля качества, будет надежно служить вам.

Поэтому, прежде чем пользоваться изделием, рекомендуем внимательно и полностью изучить данное руководство и хранить его под рукой для использования в справочных целях в будущем.




### **Данное руководство**

- Поможет вам быстро и безопасно пользоваться изделием.
- Прежде чем устанавливать изделие и пользоваться им, прочтите руководство.
- Соблюдайте инструкции, особенно в отношении техники безопасности.
- Храните руководство в легко доступном месте, так как оно может понадобиться вам в будущем.
- Кроме того, прочитайте другие документы, поставляющиеся в комплекте с изделием.

Просим учесть, что данное руководство по эксплуатации может применяться и для других моделей.

### **Символы и их описания**

В данном руководстве по эксплуатации используются следующие символы:

-  Важная информация или полезные советы по эксплуатации.
-  Предупреждение об опасности для жизни и имущества.
-  Предупреждение об опасном напряжении электросети.

Переработка



На данное изделие нанесен символ избирательной сортировки для отходов электрического и электронного оборудования (WEEE).

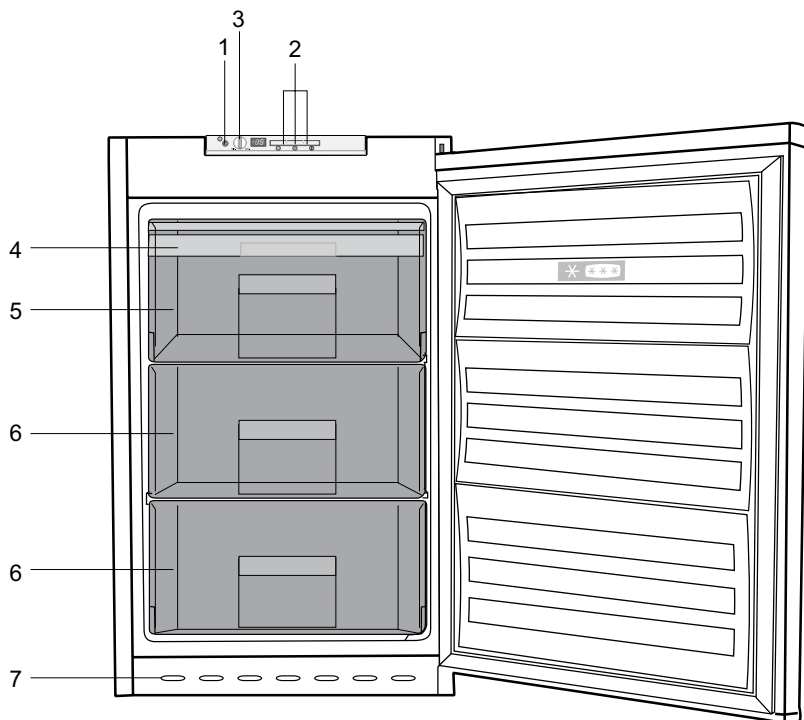
Это значит, что с данным изделием следует обращаться в соответствии с Европейской Директивой 2002/96/ЕС с целью его переработки или разборки для уменьшения отрицательного воздействия на окружающую среду. За дополнительной информацией обратитесь в местные или региональные органы власти.

Электронная техника, не включенная в процесс избирательной сортировки отходов, представляет потенциальную опасность для окружающей среды и здоровья людей из-за наличия в ней опасных веществ.

## СОДЕРЖАНИЕ

<b>1 Описание холодильника</b>	<b>3</b>	<b>4 Пользование холодильником</b>	<b>12</b>
<b>2 Важные указания по технике безопасности</b>	<b>4</b>	Светодиодные индикаторы и панель управления	12
Использование по назначению	4	Установка рабочей температуры	13
Для изделий с раздатчиком охлажденной воды:	6	<b>5 Обслуживание и чистка</b>	<b>16</b>
Безопасность детей	6	Защита пластмассовых поверхностей	16
Предупреждение органов здравоохранения	6	<b>6 Рекомендации по устранению неисправностей</b>	<b>17</b>
Рекомендации по экономии электроэнергии	7		
<b>3 Установка</b>	<b>8</b>		
Подготовка	8		
Что следует учитывать при транспортировке холодильника	8		
Перед эксплуатацией холодильника	9		
Регулировка ножек	9		
Подключение к электросети	9		
Первое включение	10		
Утилизация упаковки	10		
Утилизация старого холодильника	10		
Перевешивание дверей	11		

# 1 Описание холодильника



1. Переключатель быстрого замораживания
2. Индикаторные лампочки
3. Ручка термостата
4. Контейнер для льда
5. Камера быстрого замораживания
6. Отделения для замороженных продуктов
7. Вентиляционная решетка

**i** Иллюстрации в данной инструкции являются схематичными и могут отличаться от вашей модели. Если некоторые компоненты не входят в состав приобретенного вами изделия, они действительны для других моделей.

## 2 Важные указания по технике безопасности

Обязательно ознакомьтесь со следующей информацией. Игнорирование данной информации может привести к причинению травм или повреждению имущества. Кроме того, гарантийные обязательства и обязательства по эксплуатационной надёжности утратят силу.

Срок службы приобретенного вами изделия составляет 10 лет. Это срок, в течение которого предоставляются запасные части, необходимые для нормальной работы изделия.

### Использование по назначению

Это изделие предназначено для использования

- в помещении и на закрытых пространствах, например, в доме;
- в закрытых рабочих помещениях, например, в магазинах и офисах;
- в закрытых жилых помещениях, например, в загородных домах, гостиницах, пансионатах.
- Это изделие предназначено для использования только в помещении.

Общие правила техники безопасности

- В случае необходимости утилизировать или уничтожить изделие для получения необходимой информации рекомендуется обратиться в фирменный сервисный центр, а также в местные органы власти.
- По всем вопросам, касающимся холодильника, обращайтесь в фирменный сервисный центр. Не вмешивайтесь в работу изделия и не разрешайте этого другим без уведомления фирменного сервисного центра.
- Для изделий с морозильным отделением: не ешьте мороженое в рожках и кубики льда сразу после их извлечения из морозильного отделения! (Это может вызвать

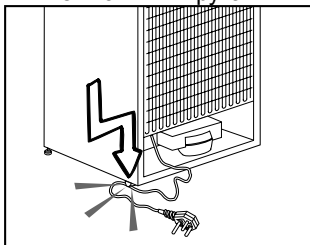
обморожение полости рта.)

- Для изделий с морозильным отделением: не помещайте напитки в бутылках и банках в морозильное отделение. Они могут лопнуть.
- Не дотрагивайтесь до замороженных продуктов – они могут примерзнуть к рукам.
- Отключайте холодильник от сети перед чистой или размораживанием.
- Ни в коем случае не используйте для чистки и размораживания холодильника пар или аэрозольные чистящие средства. В этом случае пар может попасть на электрические компоненты, что приведет к короткому замыканию или поражению электрическим током.
- Ни в коем случае не используйте холодильник или его части (например, дверцу) в качестве подставки или опоры.
- Не используйте электрические приборы внутри холодильника.
- Не допускайте повреждения частей, в которых циркулирует хладагент, используя режущие или сверильные инструменты. Хладагент может вырваться из пробирки испарителя, трубопроводов или покрытий поверхности и вызвать раздражение кожи и поражение глаз.
- Ни в коем случае не закупоривайте вентиляционные отверстия холодильника.
- Ремонт электрического оборудования должны производить только квалифицированные специалисты. Ремонт, выполненный некомпетентными лицами, может создать опасность для потребителя.
- В случае неполадок во время эксплуатации, а также при проведении техобслуживания или ремонта отключите холодильник, выключив соответствующий предохранитель или вынув шнур питания из розетки.
- Не тяните за сетевой шнур, вынимая вилку из розетки.

- Крепкие спиртные напитки следует хранить в плотно закрытом виде и вертикальном положении.
- Нельзя хранить в холодильнике банки с горючими и взрывоопасными веществами.
- Для ускорения процесса размораживания не используйте механические устройства или другие средства, кроме тех, которые рекомендованы производителем.
- Данный электроприбор не предназначен для использования лицами (включая детей) с ограниченными физическими, сенсорными и интеллектуальными возможностями либо не имеющими опыта и знаний. Они могут пользоваться электроприбором только под наблюдением лица, ответственного за их безопасность, или под его руководством.
- Ни в коем случае нельзя пользоваться неисправным холодильником. При возникновении вопросом обращайтесь к квалифицированному специалисту.
- Электрическая безопасность гарантируется только в том случае, если система заземления в вашем доме соответствует стандартам.
- Воздействие на устройство дождя, снега, солнца или ветра опасно с точки зрения электробезопасности.
- В случае повреждения шнура питания и т.п. обратитесь в фирменный сервисный центр, чтобы не подвергать себя опасности.
- Ни в коем случае нельзя включать холодильник в розетку во время установки. Это может привести к серьезным травмам или смерти.
- Этот холодильник предназначен только для хранения пищевых продуктов. Его нельзя использовать для каких-либо иных целей.
- Табличка с техническими характеристиками находится слева на внутренней стенке холодильника.
- Ни в коем случае нельзя подключать холодильник к электронным системам экономии электроэнергии,

поскольку это может привести к его поломке.

- При наличии в холодильнике синей подсветки не смотрите на нее через оптические устройства.
- При отключении от сети электропитания холодильника с ручным управлением подождите не менее 5 минут, прежде чем подключать его снова.
- В случае продажи изделия эту инструкцию по эксплуатации следует передать новому владельцу.
- При транспортировке холодильника избегайте повреждения шнура питания. Изгибание шнура питания может привести к возгоранию. Не ставьте на него тяжелые предметы. При подключении холодильника к сети электропитания не прикасайтесь к вилке влажными руками.



- Ни в коем случае нельзя подключать холодильник к плохо закрепленной стенной розетке сети электропитания.
- Из соображений безопасности не допускайте попадания воды на внешние или внутренние части холодильника.
- Не распыляйте рядом с холодильником воспламеняющиеся газы, такие как газ пропан, ввиду риска пожара или взрыва.
- Не ставьте сосуды с водой на холодильник, поскольку это может привести к поражению электрическим током или пожару.
- Не загружайте холодильник продуктами сверх меры. Если холодильник перегружен, продукты могут выпасть при открытии дверцы и травмировать вас или повредить холодильник. Не кладите предметы



на холодильник, поскольку они могут упасть при открытии или закрытии дверцы.

- В холодильнике нельзя хранить вещества, требующие определенных температурных условий, такие как вакцины, термочувствительные медикаменты, материалы для научных исследований и т.п.
- Холодильник следует отключить от электросети, если он не будет использоваться в течение длительного времени. Неисправность шнура питания может привести к возгоранию.
- Необходимо регулярно очищать концы вилки шнура электропитания; несоблюдение этого условия может привести к пожару.
- Холодильник может смещаться, если регулируемые ножки не зафиксированы на полу. Фиксирование регулируемых ножек на полу предотвратит смещение холодильника.
- При перемещении холодильника не держите его за ручку. В противном случае он может сломаться.
- При установке холодильника расстояние между ним и другим холодильником или морозильником должно составлять минимум 8 см. В противном случае боковые прилегающие стенки будут увлажняться.

## **Для изделий с раздатчиком охлажденной воды:**

Давление в водопроводной линии не должно быть ниже 1 бара. Давление в водопроводной линии не должно быть выше 8 бар.

- Используйте только питьевую воду.

## **Безопасность детей**

- Если на дверце есть замок, ключ следует хранить в недоступном для детей месте.
- Следует присматривать за детьми и не разрешать им портить холодильник.

## **Предупреждение органов здравоохранения**

Если система охлаждения вашего изделия содержит R600a:

Этот газ огнеопасен, поэтому будьте осторожны, чтобы не повредить систему охлаждения и трубопроводы при эксплуатации и во время транспортировки. В случае повреждения уберите устройство подальше от потенциальных источников огня, которые могут привести к возгоранию, а также проветривайте помещение, в котором находится устройство.

Не обращайте внимания на предупреждение, если система охлаждения вашего изделия содержит R134a.

Тип газа, используемого изделием, указан на паспортной табличке, расположенной слева на внутренней стенке холодильника.

Не сжигайте изделие в целях утилизации.

## Рекомендации по экономии электроэнергии

- Не оставляйте дверцу холодильника открытой на длительное время.
- Не кладите в холодильник горячие продукты или напитки.
- Не перегружайте холодильник, чтобы не нарушать циркуляцию воздуха.
- Не устанавливайте холодильник в местах, где на него попадают прямые солнечные лучи, или поблизости от источников тепла, таких как плита, посудомоечная машина или радиатор отопления.
- Следите за тем, чтобы контейнеры с продуктами были закрыты.
- Для изделий с морозильным отделением: в морозильное отделение холодильника можно заложить максимальное количество продуктов, если достать из него полку или ящик. Указанное в технических характеристиках энергопотребление холодильника определено при условии, что полка или ящик морозильного отделения извлечены, и в него загружено максимально возможное количество продуктов. Полку и ящик можно использовать для замораживания продуктов в соответствии с их формой и размером.
- Таяние замороженных продуктов в холодильном отделении обеспечит экономию электроэнергии и сохранение качества продуктов.

## 3 Установка

- ⓘ Помните, что производитель не несет ответственности в случае несоблюдения указаний, приведенных в настоящем руководстве.

### Подготовка

- Холодильник следует устанавливать не ближе 30 см от таких источников тепла, как плиты, духовые шкафы, радиаторы центрального отопления и печи, и не ближе 3 см от электрических духовок. Не следует размещать изделие в местах попадания прямого солнечного света.
- Температура воздуха в помещении, где устанавливается холодильник, должна быть не менее 10°C. Использовать холодильник при более низкой температуре не рекомендуется в связи с его низкой эффективностью в таких условиях.
- Содержите внутреннее пространство холодильника в чистоте.
- Если два холодильника устанавливаются рядом, то между ними должно быть расстояние не менее 2 см.
- Оригинальную упаковку и пленку следует сохранить для последующей транспортировки или перевозки изделия.

### Что следует учитывать при транспортировке холодильника

1. Из холодильника следует вынуть все продукты и промыть его перед любой транспортировкой.
2. Перед упаковкой все полки, оборудование, контейнеры для фруктов и овощей и т.п. в холодильнике должны быть хорошо закреплены от тряски при помощи клейкой ленты.
3. Упаковывая холодильник с помощью плотных лент и прочных веревок, следует придерживаться правил транспортировки, напечатанных на упаковке.

#### Пожалуйста, помните...

Вторичное использование материалов очень важно для сохранения природы и наших национальных богатств.

Если вы хотите отправить на переработку материалы упаковки, более подробную информацию можно получить в экологических учреждениях или в органах местной власти.

## Перед эксплуатацией холодильника

Перед началом эксплуатации изделия проверьте следующее:

- 1- Сухо ли внутри холодильника, и может ли воздух свободно циркулировать позади него?
- 2- Выполните чистку холодильника в соответствии с рекомендациями, приведенными в разделе «Обслуживание и чистка».
- 3- Включите холодильник в сеть. При открытии дверцы загорается лампочка внутреннего освещения.
- 4- При запуске компрессора будет слышен шум. Жидкость и газы, находящиеся внутри герметичной системы охлаждения, также могут создавать шум, независимо от того, работает компрессор или нет, что является вполне нормальным явлением. В связи с работой вентиляторов внутри изделия уровень рабочих шумов несколько выше по сравнению с холодильной техникой, не относящейся к типу non-frost. Это вполне нормально и не является признаком неисправности.
- 5- Передние кромки холодильника могут казаться теплыми. Это нормально. Эти области должны нагреваться, чтобы избежать конденсации.

## Регулировка ножек

Если холодильник расположен неустойчиво:

Вы можете отрегулировать устойчивое положение холодильника вращением передних ножек, как показано на рисунке. Угол холодильника, под которым находится ножка, будет опускаться, если поворачивать ее в направлении черной стрелки, или подниматься, если поворачивать ее в противоположном направлении. Если в это время кто-то поможет, слегка приподняв холодильник, это облегчит процесс.

## Подключение к электросети

Подсоедините морозильную камеру к правильно установленной заземленной розетке, защищенной предохранителем с соответствующим номиналом.

Важно!

- Подключение следует выполнять в соответствии с действующими в стране правилами.
  - Вилка сетевого шнура должна быть легко доступна после установки.
  - Напряжение и допустимые параметры предохранителей указаны в разделе «Технические характеристики».
  - Напряжение в сети должно соответствовать указанному напряжению.
  - Запрещается использовать при установке удлинители и многоконтактные штепсельные вилки.
- ⚠ Поврежденный шнур питания должен быть заменен квалифицированным электриком.
- ⚠ Запрещается пользоваться изделием до его ремонта. Имеется опасность поражения электрическим током.

## **Первое включение**

- При первом включении холодильника просим соблюдать следующие инструкции во время первых шести часов работы.
  - Регулятор температуры не должен быть выключен.
  - Не открывайте часто дверцу.
  - Холодильник должен быть пустым, без продуктов внутри.
  - Не отключайте морозильную камеру от сети. Если произошло отключение электроэнергии не по вашей вине, см. указания в разделе “Рекомендации по устранению неполадок”.

## **Утилизация упаковки**

Упаковочные материалы могут быть опасны для детей. Храните упаковочный материал в недоступном для детей месте или утилизируйте его, рассортировав в соответствии с правилами утилизации отходов. Не утилизируйте их вместе с обычными бытовыми отходами.

Упаковочные материалы холодильника изготовлены из материалов, подлежащих вторичной переработке.

## **Утилизация старого холодильника**

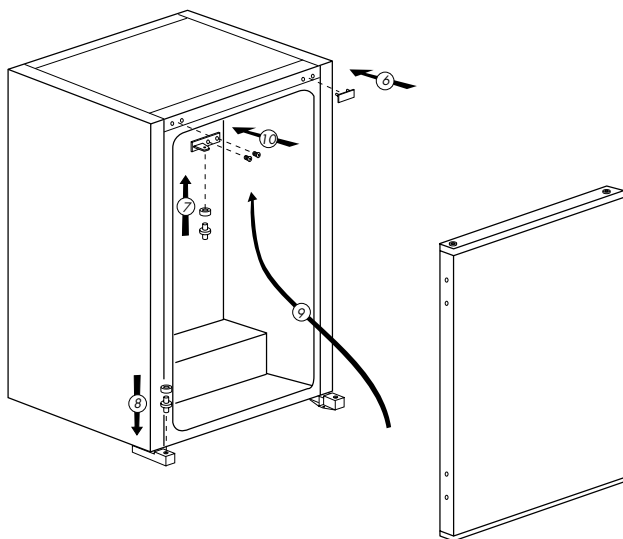
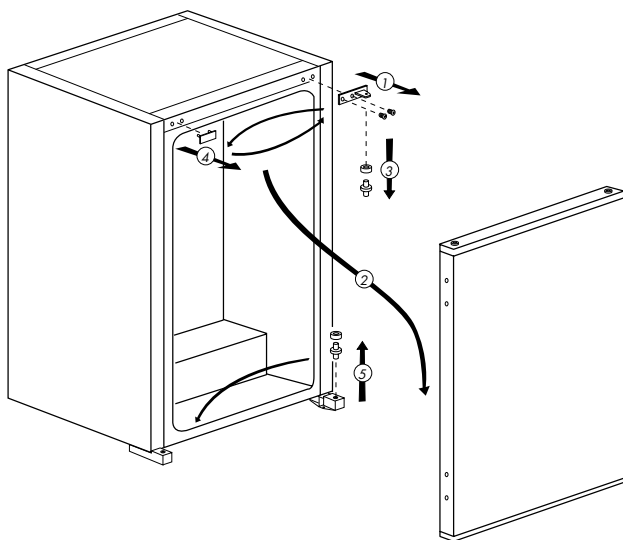
Утилизация старого изделия должна выполняться экологически безопасным способом.

- Чтобы узнать, как утилизировать изделие, вы можете обратиться к авторизованному дилеру или в пункт сбора отходов по месту жительства.

Прежде чем утилизировать холодильник, отрежьте шнур питания и, в случае наличия замков на дверце, выведите их из строя, чтобы предотвратить создание опасных ситуаций для детей.

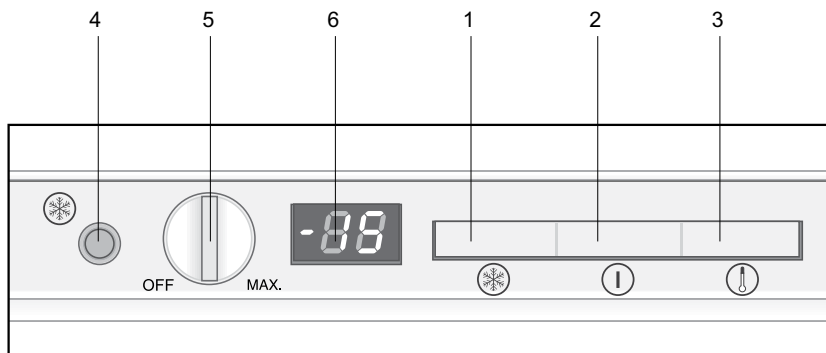
## Перевешивание дверей

Действуйте в указанной последовательности.



## 4 Пользование холодильником

### Светодиодные индикаторы и панель управления



#### Желтый индикатор (1)

Загорается при включении быстрого замораживания (4) и остается включенным максимум на 32 часа или до ручного выключения режима быстрого замораживания. Режим быстрого замораживания предназначен для замораживания свежих продуктов (см. раздел «Замораживание свежих продуктов»).

#### Зеленый индикатор (2)

Загорается при подключении прибора к электросети и светится, пока подается электропитание. Зеленый индикатор не показывает никакой температуры в морозильнике.

#### Красный индикатор (3)

Загорается

- Когда внутренняя температура поднимается выше  $-5^{\circ}\text{C}$ . (Лампочка гаснет при температуре ниже  $-9^{\circ}\text{C}$ )
- Если прибор перегружен свежими продуктами.
- Если дверь прибора случайно была оставлена открытой.

Примечание. Красный светоиндикатор имеет встроенную задержку.

Если прибор находится под напряжением, красный светоиндикатор не будет загораться 24 часа.

#### Ручка термостата (5)

Ручка термостата расположена на панели индикаторов.

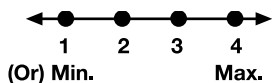
Важно!

При нажатии выключателя быстрого замораживания или регулировке температуры возможна кратковременная задержка начала работы компрессора. Это нормально и не является дефектом компрессора.

E0 мигает на дисплее, если случилась поломка сенсора морозильной камеры.

## Установка рабочей температуры

Рабочая температура регулируется соответствующим регулятором.



1 = Наименьшее значение охлаждения (самая высокая температура)

4 = Самое высокое значение охлаждения (самая низкая температура)

(или)

Min. = Наименьшая регулировка охлаждения

(самая высокая температура)

Max. = Самая высокая регулировка охлаждения

(самая низкая температура)

Установите значение, соответствующее нужной температуре.

Температура внутри морозильника также зависит от температуры окружающей среды, частоты открывания дверцы и количества хранимых продуктов.

Если дверца открывается часто, то температура внутри повышается.

По этой причине рекомендуется как можно скорее закрывать дверцу.

Нормальная температура хранения продуктов в морозильнике должна составлять  $-18^{\circ}\text{C}$ . Если ручку регулятора повернуть против часовой стрелки от положения 1, морозильник выключится и будет слышен щелчок. Для установки более низкой температуры ручку термостата необходимо поворачивать в направлении положения 4.

Мы советуем проверять температуру при помощи термометра, чтобы убедиться, что в отделениях для хранения продуктов она соответствует желаемому значению.

Снимать показания термометра необходимо очень быстро, так как его температура после извлечения из морозильной камеры будет стремительно повышаться.

### **Замораживание продуктов**

Область замораживания помечена символом на дверной секции.

Прибор можно использовать для замораживания свежих продуктов, а также для хранения предварительно замороженных продуктов.

Следуйте рекомендациям, приведенным на упаковке продуктов.

### **⚠ Внимание**

Не замораживайте газированные напитки, потому что бутылка может взорваться при замерзании в ней жидкости.

Будьте осторожны с замороженными продуктами, например, с цветными кубиками льда.

Не превышайте суточной производительности холодильника по замораживанию. См. паспортную табличку.

Для сохранения качества продуктов замораживание следует проводить как можно быстрее.

При этом мощность по замораживанию не должна превышать, и температура внутри морозильного отделения не будет повышаться.

### **⚠ Внимание**

Продукты глубокой заморозки всегда храните отдельно от только что помещенных в морозильник продуктов.



При глубокой заморозке горячих продуктов компрессор охлаждения будет работать до тех пор, пока они не будут полностью заморожены. Это может привести к временному чрезмерному охлаждению камеры морозильника.

Не беспокойтесь, если дверцу морозильника тяжело открыть сразу же после того, как вы ее закрыли. Это связано с перепадом давления, которое через несколько минут уравнивается, и дверцу можно будет нормально открыть.

Сразу после закрытия дверцы вы услышите звук вакуума. Это вполне нормально.

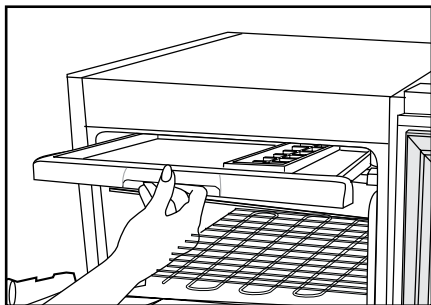
### Приготовление кубиков льда

Наполните лоток для льда водой на 3/4 объема и поместите в морозильное отделение.

После того, как вода превратится в лед, кубики льда можно вынуть.

Никогда не извлекайте кубики льда острыми предметами, такими как ножи или вилки. Так можно получить травму!

Вместо этого дайте кубикам льда немного подтаять или на короткое время поместите дно лотка в горячую воду.



### Быстрое замораживание

Если предстоит заморозить большое количество свежих продуктов, нажмите кнопку суточного быстрого замораживания, прежде чем помещать свежие продукты в морозильную камеру.

Настоятельно рекомендуется, чтобы был включен режим суточного быстрого замораживания, чтобы замораживать максимальное количество свежих продуктов, указанное в данных производительности замораживания. Будьте внимательны! Не смешивайте замороженные и свежие продукты.

### Размораживание прибора

Чрезмерное образование льда сказывается на замораживающей способности прибора.

Поэтому рекомендуется размораживать прибор не менее двух раз в год или каждый раз, когда образовавшийся лед превышает 7 мм. Размораживайте прибор, когда в нем мало или совсем нет продуктов.

Выньте из ящиков продукты глубокой заморозки. Оберните продукты глубокой заморозки несколькими слоями бумаги или одеялом и положите в прохладное место.

Отключайте прибор перед разморозкой.

Извлеките принадлежности (полки, ящики и т.д.) из прибора и воспользуйтесь подходящим по размеру сосудом для сбора талой воды.

При необходимости собирайте талую воду губкой или влажной тканью.

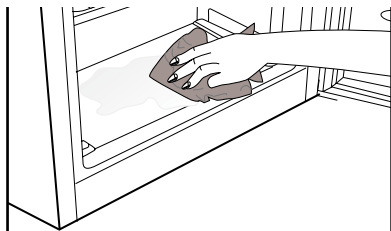
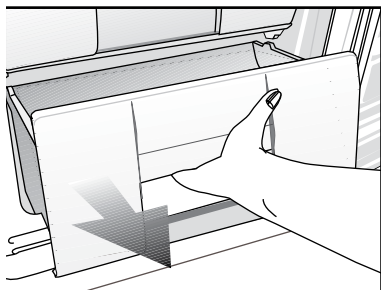
Во время размораживания держите дверцу открытой.

Для ускорения размораживания поставьте внутрь прибора емкости с теплой водой.

Не используйте для удаления льда электроприборы, размораживающие аэрозоли, а также такие острые или заточенные предметы, как ножи или вилки.

По окончании размораживания очистите внутренние поверхности (см. раздел «Чистка и уход».)

Включите прибор в сеть. Разложите обратно замороженную пищу по ящичкам и задвиньте их.



## 5 Обслуживание и чистка

---

- ⚠ Ни в коем случае не используйте бензин, бензол или подобные вещества для чистки.
- ⚠ Перед чисткой рекомендуем отсоединить изделие от электросети.
- ⓘ Не используйте для чистки острые абразивные инструменты, мыло, бытовые чистящие средства, моющие средства и восковую политуру.
- ⓘ Корпус изделия промойте теплой водой и затем вытрите насухо.
- ⓘ Протрите внутреннюю поверхность изделия хорошо отжатой тканью, смоченной в растворе питьевой соды (1 чайная ложка на пол-литра воды), и вытрите насухо.
- ⚠ Не допускайте попадания воды в корпус лампочки и в другие электрические компоненты.
- ⚠ Если холодильник не будет использоваться в течение длительного времени, отключите сетевой шнур, извлеките все продукты, выполните чистку и оставьте дверцу приоткрытой.
- ⓘ Регулярно проверяйте, не испачкан ли уплотнитель дверцы частицами пищи.
- ⓘ Для снятия полок в дверце полностью разгрузите их, а затем просто приподнимите вверх.

### Защита пластмассовых поверхностей

- Не храните жидкое масло или продукты, приготовленные с добавлением масла, в морозильной камере в открытых контейнерах, так как они могут повредить пластмассовые поверхности. Если же масло протекло или попало на пластмассовую поверхность, сразу же очистите и промойте это место теплой водой.

## 6 Рекомендации по устранению неисправностей

Прежде чем обращаться в сервисный центр, просмотрите этот перечень. Это может помочь сэкономить время и деньги. Ниже перечислены часто возникающие проблемы, причиной которых не являются дефекты производства или материалов. Некоторые из описанных здесь функций могут отсутствовать в вашей модели.

<b>Холодильник не работает.</b>
<ul style="list-style-type: none"><li>• Правильно ли включен холодильник в сеть? Вставьте вилку в розетку электросети.</li><li>• Не перегорел ли предохранитель розетки, в которую включен холодильник, или главный предохранитель? Проверьте предохранитель.</li></ul>
<b>Конденсация на боковой стенке отделения холодильника (MULTI ZONE, COOL CONTROL и FLEXI ZONE).</b>
<ul style="list-style-type: none"><li>• Очень низкая температура окружающей среды. Частое открывание и закрывание дверцы. Изделие работает в условиях повышенной влажности. Хранение продуктов, содержащих жидкость, в открытых контейнерах. Неплотно закрыта дверца.</li><li>• Переключите термостат на более низкую температуру.</li><li>• Сократите периоды, когда дверца остается открытой, или открывайте ее реже.</li><li>• Накройте продукты, хранящиеся в открытых контейнерах, подходящим материалом.</li><li>• Вытрите конденсат сухой тканью и проверьте, не образуется ли он снова.</li></ul>
<b>Не работает компрессор</b>
<ul style="list-style-type: none"><li>• Термозащита компрессора может сработать при неожиданных отключениях энергоснабжения либо при выключении-включении прибора, поскольку давление хладагента в системе охлаждения не успевает стабилизироваться.</li><li>• Холодильник начнет работать примерно через 6 минут. Если по истечении этого времени холодильник не заработал, обратитесь в сервисный центр.</li><li>• Холодильник находится в режиме размораживания. Это нормально для холодильника с автоматическим размораживанием. Размораживание выполняется регулярно.</li><li>• Холодильник не включен в розетку электросети. Убедитесь, что вилка плотно вставлена в розетку электросети.</li><li>• Правильно ли отрегулирована температура? Нарушение подачи электроэнергии. Обратитесь к поставщику электроэнергии.</li></ul>
<b>Холодильник включается слишком часто или работает слишком долго.</b>

- Новый холодильник может быть больше того, которым вы пользовались раньше. Это вполне нормально – большие холодильники работают в течение более длительных периодов времени.
- Возможно, температура в помещении повышена. Это вполне нормально.
- Возможно, холодильник был недавно включен или только что загружен продуктами. Полное охлаждение холодильника может продолжаться на несколько часов дольше.
- Возможно, в холодильник недавно поместили большое количество горячих продуктов. Из-за наличия горячих продуктов холодильник будет работать дольше, чтобы достичь нужной температуры хранения.
- Возможно, дверцы часто открываются либо оставались приоткрытыми в течение длительного времени. При попадании в холодильник теплого воздуха, он будет работать дольше. Открывайте дверцы реже.
- Неплотно закрыта дверца морозильного или холодильного отделения. Проверьте, плотно ли закрыты дверцы.
- Холодильник отрегулирован на очень низкую температуру. Установите в холодильнике более высокую температуру и подождите, пока установленная температура не будет достигнута.
- Возможно, уплотнитель дверцы холодильного или морозильного отделения загрязнен, изношен, разорван или неправильно установлен. Почистите или замените уплотнитель. Из-за поврежденного или разорванного уплотнителя холодильник будет работать дольше, чтобы поддерживать текущую температуру.

Температура в морозильном отделении слишком низкая, в то время как температура в холодильном отделении достаточная.

- Температура морозильного отделения установлена на очень низкое значение. Установите в морозильном отделении более высокую температуру и проверьте работу.

Температура холодильного отделения очень низкая, в то время как температура в морозильном отделении достаточная.

- Температура в холодильном отделении установлена на очень низкое значение. Установите в холодильном отделении более высокую температуру и проверьте работу.

Замерзают продукты в выдвижных контейнерах холодильного отделения.

- Температура в холодильном отделении установлена на очень низкое значение. Установите в холодильном отделении более высокую температуру и проверьте работу.

Температура в холодильном и морозильном отделениях слишком высокая.

- Температура в холодильном отделении установлена на очень высокое значение. Температура в холодильном отделении влияет на температуру в морозильном отделении. Изменяйте температуру в холодильном или морозильном отделении, пока не будет достигнут нужный уровень температуры.
- Возможно, неплотно закрыта дверца. Полностью закройте дверцу.
- Возможно, в холодильник недавно поместили большое количество горячих продуктов. Подождите, пока холодильное или морозильное отделение достигнет нужной температуры.
- Возможно, холодильник был недавно включен в сеть. Для полного охлаждения потребуется некоторое время из-за большого размера холодильника.

Из холодильника доносится шум, похожий на тиканье механических часов.

<ul style="list-style-type: none"> <li>Этот шум вызван работой электромагнитного клапана холодильника. Он обеспечивает прохождение хладагента, который выполняет охлаждение, через отделения холодильника, в которых установлена температура охлаждения или замораживания. Это вполне нормально и не является неисправностью.</li> </ul>
Уровень рабочего шума повышается во время работы холодильника.
<ul style="list-style-type: none"> <li>Рабочие характеристики изделия могут изменяться в зависимости от изменений температуры окружающей среды. Это нормально и не является неисправностью.</li> </ul>
Вибрация или шум.
<ul style="list-style-type: none"> <li>Пол неровный или нежесткий. Холодильник медленно перемещается и при этом дрожит. Убедитесь в том, что пол ровный и достаточно прочный, чтобы выдержать вес изделия.</li> <li>Шум могут вызывать предметы, которые находятся на холодильнике. Такие предметы следует убрать с холодильника.</li> </ul>
Слышен шум льющейся или разбрызгивающейся жидкости.
<ul style="list-style-type: none"> <li>Расход жидкости и газа изменяется в соответствии с принципами работы изделия. Это нормально и не является неисправностью.</li> </ul>
Слышен шум, похожий на шум ветра.
<ul style="list-style-type: none"> <li>Для обеспечения эффективного охлаждения в холодильнике используются устройства подачи воздуха (вентиляторы). Это нормально и не является неисправностью.</li> </ul>
Конденсация влаги на внутренних стенках холодильника.
<ul style="list-style-type: none"> <li>Жаркая и влажная погода способствует образованию льда и конденсации влаги. Это нормально и не является неисправностью.</li> <li>Дверцы приоткрыты. Убедитесь, что дверцы полностью закрыты.</li> <li>Возможно, дверцы открывались очень часто, или дверца оставалась открытой длительное время. Открывайте дверцу реже.</li> </ul>
Появление влаги снаружи холодильника или между дверцами.
<ul style="list-style-type: none"> <li>Возможно, причина во влажной погоде. Это вполне нормально при влажной погоде. Когда влажность уменьшится, конденсация исчезнет.</li> </ul>
Неприятный запах внутри холодильника.
<ul style="list-style-type: none"> <li>Следует выполнить чистку внутри холодильника. Протрите холодильник внутри губкой, смоченной в теплой воде или в газированной воде.</li> <li>Некоторые контейнеры или упаковочные материалы также могут быть источником запаха. Используйте другой контейнер или упаковочный материал другой марки.</li> </ul>
Дверца (дверцы) не закрывается (не закрываются).
<ul style="list-style-type: none"> <li>Упаковки продуктов могут препятствовать закрыванию дверцы. Переместите упакованные продукты, препятствующие закрытию дверцы.</li> <li>Возможно, холодильник стоит не совсем вертикально, это может вызвать дрожание при любом перемещении. Отрегулируйте регулировочные винты.</li> <li>Пол неровный или нежесткий. Убедитесь в том, что пол ровный и может выдержать вес холодильника.</li> </ul>
Контейнеры для фруктов и овощей прилипли.
<ul style="list-style-type: none"> <li>Возможно, продукты касаются верхней части контейнера. Переместите продукты в контейнере.</li> </ul>

## Por favor, leia primeiro este manual!

Caro cliente,

Esperamos que o seu produto, que foi produzido em modernas instalações e testado através de rigorosos controlos de qualidade, ofereça-lhe um serviço efectivo.




Para isso, recomendamos que leia cuidadosa e inteiramente o manual do seu produto antes de utilizá-lo e guarde-o para futuras consultas.

### Este manual

- Ajudá-lo-á a utilizar o seu equipamento de forma rápida e segura.
  - Leia o manual antes de instalar e operar o seu equipamento.
  - Siga as instruções, especialmente as relativas à segurança.
  - Guarde o manual num local acessível, já que poderá precisar dele mais tarde.
  - Além disso, leia também os outros documentos fornecidos com o seu produto.
- Observe que este manual também pode ser válido para outros modelos.

### Os símbolos e as suas descrições

Este manual de instruções contém os seguintes símbolos:

-  Informações importantes ou dicas úteis de utilização.
-  Aviso sobre as condições de risco para a vida e a propriedade.
-  Aviso sobre a voltagem eléctrica.

Reciclagem



Este produto ostenta o símbolo de classificação selectiva para resíduos de equipamentos eléctricos e electrónicos (REEE).

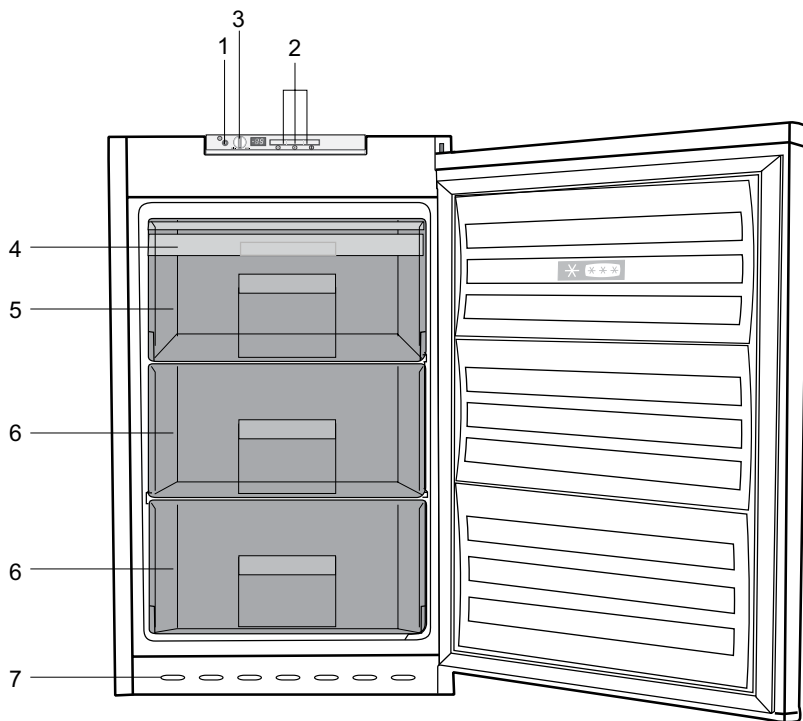
Isto significa que este produto deve ser tratado de acordo com a Directiva Europeia 2002/96 EC para que seja reciclado ou desmantelado afim de minimizar o seu impacto no meio ambiente. Para mais informações, contacte por favor as suas autoridades locais ou regionais.

Os produtos electrónicos não incluídos neste processo de classificação selectiva são potencialmente perigosos para o ambiente e para a saúde humana devido à presença de substâncias perigosas.

<b>1 O seu frigorífico</b>	<b>3</b>	<b>4 Utilizar o seu frigorífico</b>	<b>12</b>
<b>2 Avisos importantes de segurança</b>	<b>4</b>	Indicadores LED e painel de controlo.....	12
Uso pretendido.....	4	Ajuste da temperatura de funcionamento.....	13
Para produtos com um dispensador de água;.....	6	<b>5 Manutenção e limpeza</b>	<b>16</b>
Segurança com crianças.....	6	Protecção das superfícies plásticas	16
Aviso HCA.....	6	<b>6 Soluções recomendadas para os problemas</b>	<b>17</b>
O que se pode fazer para economizar energia.....	7		
<b>3 Instalação</b>	<b>8</b>		
Preparação.....	8		
Pontos a serem considerados ao transportar novamente o seu frigorífico.....	8		
Antes de funcionar o seu frigorífico ...	9		
Ajuste dos pés.....	9		
Ligação eléctrica.....	9		
Utilização inicial.....	10		
Eliminação da embalagem.....	10		
Eliminação do seu frigorífico velho ..	10		
Inverter as portas.....	11		



# 1 O seu frigorífico



1. Interruptor de Descongelação Rápida
2. Luzes indicadoras
3. Botão do termóstato
4. Banco de gelo
5. Compartimento para congelação rápida
6. Compartimentos para congelação de alimentos
7. Grelha de ar

As figuras que aparecem neste manual de instruções são esquemáticas e podem não corresponder exactamente ao seu produto. Se as partes referidas não estiverem incluídas no produto que adquiriu, é porque são válidas para outros modelos.

## 2 Avisos importantes de segurança

Por favor, reveja as informações seguintes. A não-observância destas informações pode causar ferimentos ou danos ao material. Caso contrário, todas as garantias e compromissos de fiabilidade tornar-se-ão inválidos.

A vida útil da unidade que adquiriu é de 10 anos. Este é o período para manter as peças de reposição exigidas para a unidade a funcionarem conforme descrito.

### Uso pretendido

Este produto está concebido para ser usado

- áreas internas e fechadas como casas;
- em ambientes de trabalho fechados, como lojas e escritórios;
- em áreas de hospedagem fechadas, como casas rurais, hotéis, pensões.
- Este produto não deve ser usado em exteriores.

### Segurança geral

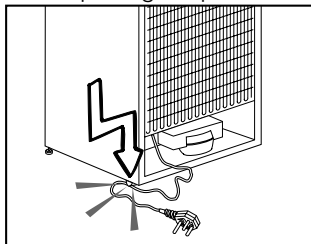
- Quando quiser eliminar/desfazer-se do produto, recomendamos que consulte o serviço de assistência e os órgãos autorizados para obter mais informações.
- Consulte o seu serviço de assistência autorizado para todas as questões e problemas relativos ao frigorífico. Não tente reparar e nem permita que ninguém o faça sem notificar os serviços de assistência autorizados.
- Para produtos com um compartimento de congelador; Não coma cones de gelados e cubos de gelo imediatamente após retirá-los do compartimento do congelador! (Isto pode provocar queimaduras de frio na sua boca).
- Para produtos com compartimento de congelador; Não coloque bebidas líquidas enlatadas ou engarrafadas no compartimento do congelador. Caso contrário, podem rebentar.
- Não toque nos alimentos congelados; podem ficar presos à sua mão.
- Desligue o seu frigorífico da tomada antes da limpeza ou descongelação.
- O vapor e materiais de limpeza vaporizados nunca deverão ser utilizados nos processos de limpeza e descongelação do seu frigorífico. Em tais casos, o vapor poderá entrar em contacto com as partes eléctricas e provocar curto-circuito ou choque eléctrico.
- Nunca use as partes do seu frigorífico, tal como a porta, como meios de apoio ou degrau.
- Não utilize dispositivos eléctricos dentro do frigorífico.
- Não danifique as partes por onde circula a refrigeração, com ferramentas perfurantes ou cortantes. O refrigerante que pode explodir quando os canais de gás do evaporador, as extensões do tubo ou os revestimentos da superfície são perfurados, causa irritações na pele ou ferimentos nos olhos.
- Não cubra ou bloqueie os orifícios de ventilação do seu frigorífico com nenhum tipo de material.
- Os dispositivos eléctricos só devem ser reparados por pessoas autorizadas. As reparações realizadas por pessoas incompetentes causam riscos ao utilizador.
- Em caso de qualquer falha quer durante uma manutenção ou num trabalho de reparação, desligue a alimentação eléctrica do seu frigorífico, desligando o fusível correspondente ou retirando a ficha da tomada.
- Não puxe pelo cabo quando for retirar a ficha da tomada.
- Coloque as bebidas com teor alcoólico

mais elevado bem fechadas e na vertical.

- Nunca guarde latas de aerossol inflamáveis e substâncias explosivas no frigorífico.
- Não utilize dispositivos mecânicos ou outros para acelerar o processo de descongelação. Siga apenas as instruções recomendadas pelo fabricante.
- Este produto não se destina a ser usado por pessoas com incapacidades físicas, sensoriais ou mentais ou sem conhecimento ou experiência (incluindo crianças), a menos que sejam supervisionadas por alguém responsável pela sua segurança ou que as instrua sobre o uso do produto.
- Não utilize um frigorífico avariado. Consulte o agente autorizado se tiver qualquer questão.
- A segurança eléctrica do seu frigorífico apenas poderá ser garantida se o sistema de ligação à terra da sua casa estiver em conformidade com as normas.
- A exposição do produto à chuva, neve, sol e vento é perigosa no que toca à segurança eléctrica.
- Para evitar qualquer perigo, contacte o serviço autorizado se o cabo eléctrico estiver danificado.
- Nunca ligue o frigorífico à tomada de parede durante a instalação. Caso contrário, poderá ocorrer perigo de morte ou ferimentos graves.
- Este frigorífico foi concebido unicamente para guardar alimentos. Não deverá ser utilizado para quaisquer outros fins.
- A etiqueta das especificações técnicas está localizada na parede esquerda no interior do frigorífico.
- Nunca ligue o seu frigorífico a sistemas de poupança de electricidade, pois podem danificá-lo.
- Se o frigorífico possuir luz azul, não

olhe para ela com dispositivos ópticos.

- Para frigoríficos controlados manualmente, aguarde pelo menos 5 minutos para voltar a ligá-lo após uma falha eléctrica.
- Este manual de instruções deverá ser entregue ao novo proprietário do produto quando for dado/vendido a outros.
- Evite causar danos ao cabo eléctrico quando transportar o frigorífico. Dobrar o cabo pode causar incêndio. Nunca ponha objectos pesados no cabo eléctrico. Não toque na ficha com as mãos molhadas quando a introduz na tomada para ligar o produto.



- Não ligue o frigorífico à tomada, se a tomada de parede estiver solta.
- Não deverá ser vaporizado directamente nas partes interiores ou interiores do produto devido a razões de segurança.
- Para evitar risco de incêndio e explosão, não vaporize substâncias que contenham gases inflamáveis, tais como gás propano, etc., próximo ao frigorífico.
- Não coloque recipientes que contenham água sobre o topo do frigorífico, visto que tal poderá resultar em choque eléctrico ou incêndio.
- Não sobrecarregue o frigorífico com excesso de alimentos. Se sobrecarregado, os alimentos podem cair e feri-lo a si e danificar o frigorífico ao abrir a porta. Nunca coloque objectos no topo do frigorífico, visto que estes podem cair quando se abre

- ou fecha a porta do frigorífico.
- Como precisam de um controlo de temperatura exacta, as vacinas, medicamentos sensíveis ao aquecimento, materiais científicos, etc., não deverão ser guardados no frigorífico.
- Se não for utilizado por um longo tempo, o frigorífico deve ser desligado da tomada. Qualquer problema possível no cabo eléctrico poderá resultar em incêndio.
- A extremidade da ficha eléctrica deverá ser limpa regularmente, caso contrário, poderá provocar incêndio.
- O frigorífico pode mover-se se os pés não estiverem devidamente fixados ao piso. O ajuste seguro e apropriado dos pés ao piso pode impedir o frigorífico se mova.
- Ao transportar o frigorífico, não segure pelo puxador da porta. Caso contrário, pode quebrar.
- Se posicionar o seu frigorífico próximo de outro frigorífico ou arca frigorífica, a distância entre os dispositivos deve ser de pelo menos 8 cm. Caso contrário, as paredes laterais adjacentes podem humedecer.

## **Para produtos com um dispensador de água;**

A pressão da conduta de água deve ser de no mínimo 1 bar. A pressão da conduta de água deve ser de no máximo 8 bar.

- Use apenas água potável

## **Segurança com crianças**

- Se a porta possuir uma fechadura, a chave deverá ser mantida afastada do alcance das crianças.
- As crianças devem ser vigiadas para impedir que brinquem com o produto.

## **Aviso HCA**

### **O sistema de arrefecimento do seu produto contém R600a:**

Este gás é inflamável. Por isso, tenha cuidado em não danificar o sistema de arrefecimento e a tubagem durante o uso e transporte. No caso de algum dano, mantenha o seu produto longe de potenciais fontes de fogo que possam fazer com que o produto de incendeie e ventile o compartimento no qual a unidade está colocada.

### **Ignore este aviso se o sistema de arrefecimento do seu produto contiver R134a:**

O tipo de gás usado no produto está indicado na placa de características localizada na parede esquerda no interior do frigorífico.

Nunca elimine o seu produto no fogo.

## **O que se pode fazer para economizar energia**

- Não deixe as portas do seu frigorífico abertas durante muito tempo.
- Não coloque alimentos ou bebidas quentes no seu frigorífico.
- Não sobrecarregue o seu frigorífico para que a circulação do ar no interior não seja dificultada.
- Não instale o seu frigorífico sob a luz solar directa ou próximo de aparelhos que emitem calor tais como fornos, máquinas de lavar louça ou radiadores.
- Tenha cuidado em manter os seus alimentos em recipientes fechados.
- Para produtos com um compartimento de congelador; Pode armazenar uma quantidade máxima de alimentos no congelador se remover a prateleira ou gaveta do congelador. O valor do consumo de energia indicado no seu frigorífico foi determinado removendo a prateleira do congelador ou a gaveta e com carga máxima. Não existe qualquer risco em utilizar uma prateleira ou gaveta de acordo com as formas e tamanhos dos alimentos a serem congelados.
- Descongelar os alimentos congelados no compartimento do frigorífico poupará energia e preservará a qualidade dos alimentos.

### 3 Instalação

---

- 1** Por favor, lembre-se de que o fabricante não pode ser responsabilizado se não forem observadas as informações fornecidas no manual de instruções.

#### Preparação

- O seu frigorífico deverá ser instalado a uma distância mínima de 30 cm de quaisquer fontes de calor, tais como placas, fornos, aquecimento central e fogões e de 5 cm de fornos eléctricos e não deverá ficar exposto directamente à luz solar.
- A temperatura ambiente do compartimento onde está instalado o seu frigorífico não deve ser inferior a 10°C. Utilizar o seu frigorífico em condições de temperatura mais baixas não é recomendado em atenção à sua eficiência.
- Certifique-se de que o interior do seu frigorífico esteja completamente limpo.
- Se forem instalados dois frigoríficos lado a lado, deverá existir uma distância mínima de 2 cm entre eles.
- A embalagem original e os materiais de esponja deverão ser guardados para transportes ou deslocações futuras.

#### Pontos a serem considerados ao transportar novamente o seu frigorífico

1. O seu frigorífico deve ser esvaziado e limpo antes de ser transportado.

2. As prateleiras, acessórios, gaveta para frutas e legumes, etc. do seu frigorífico devem ser firmemente presos com fita adesiva, devido aos solavancos antes de voltar a empacotá-lo.
3. A embalagem deve ser amarrada com fitas grossas e cordas fortes e devem ser seguidas as normas de transporte indicadas na mesma.

#### Por favor, lembre-se de que...

Todo material reciclado é uma fonte indispensável para a natureza e para os nossos recursos nacionais.

Se quiser contribuir para a reciclagem dos materiais da embalagem, pode obter mais informações nos organismos relativos ao ambiente ou junto das autoridades locais.

## Antes de funcionar o seu frigorífico

Antes de iniciar a utilização do seu frigorífico, verifique o seguinte:

- 1- O interior do frigorífico está seco e o ar pode circular livremente na sua parte traseira?
- 2- Limpe o interior do frigorífico conforme recomendado na secção “Manutenção e limpeza”.
- 3- Ligue o frigorífico à tomada eléctrica. Quando a porta é aberta a respectiva luz interior liga.
- 4- Ouvirá um ruído quando o compressor começar a trabalhar. O líquido e os gases no interior do sistema de refrigeração também podem fazer algum ruído, mesmo que o compressor não esteja a funcionar, o que é perfeitamente normal. Devido ao funcionamento das ventoinhas no interior do electrodoméstico, o nível geral de ruído é ligeiramente superior em comparação aos electrodomésticos non-frost. Esta situação é normal e não constitui problema.
- 5- As arestas da frente do frigorífico podem ficar quentes. Isto é normal. Estas arestas são projectadas para ficarem quentes, a fim de evitar a condensação.

## Ajuste dos pés

Se o seu frigorífico estiver desnivelado; Pode equilibrar o seu frigorífico, rodando os seus pés frontais conforme ilustrado na figura. O canto onde está o pé é baixado quando roda na direcção da seta preta e levantado quando roda na direcção oposta. Peça ajuda a alguém para erguer ligeiramente o frigorífico, facilitará este processo.

## Ligação eléctrica

Ligue o seu frigorífico a uma tomada de terra, que esteja protegida por um fusível com a capacidade apropriada.

Importante:

- A ligação deve estar em concordância com os regulamentos nacionais.
  - A ficha do cabo de alimentação deve estar facilmente acessível após a instalação.
  - A voltagem e o fusível de protecção permitido estão indicados na secção “Especificações”.
  - A voltagem especificada deve ser igual à sua voltagem eléctrica.
  - Não devem ser usados cabos de extensão e fichas multiusos para a ligação.
- ⚠ Um cabo de alimentação danificado deve ser substituído por um electricista qualificado.
- ⚠ O equipamento não deve ser utilizado antes de ser reparado! Há risco de choque eléctrico!

## **Utilização inicial**

- Quando utilizar o seu frigorífico pela primeira vez, por favor, observe as seguintes instruções durante as seis horas iniciais.
  - O botão de ajuste da temperatura não deve ser desligado.
  - A porta não deverá ser aberta frequentemente.
  - Deve começar a funcionar vazio, sem alimentos no interior.
  - Não retire a ficha da tomada do seu frigorífico; se houver uma falha de energia inesperada, por favor, consulte os avisos na secção “Soluções recomendadas para os problemas”.

## **Eliminação da embalagem**

Os materiais de embalagem podem ser perigosos para as crianças. Guarde os materiais da embalagem fora do alcance das crianças ou elimine-os, classificando-os de acordo com as instruções sobre o lixo. Não os elimine juntamente com o lixo doméstico normal.

A embalagem do seu frigorífico é produzida com materiais recicláveis.

## **Eliminação do seu frigorífico velho**

Elimine a sua máquina velha sem causar qualquer perigo ao meio ambiente.

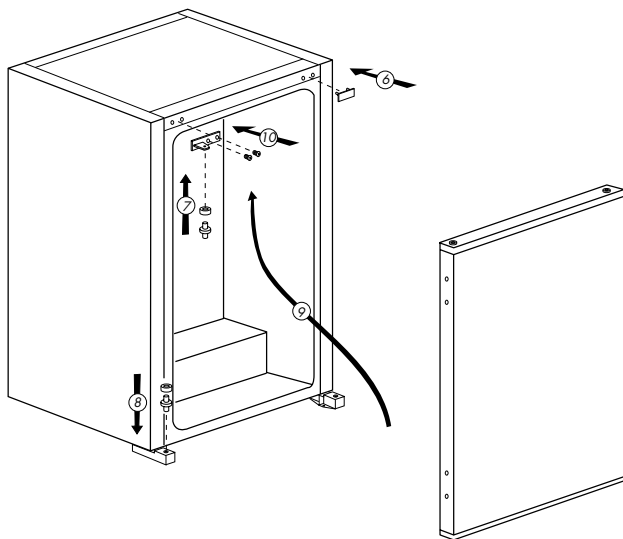
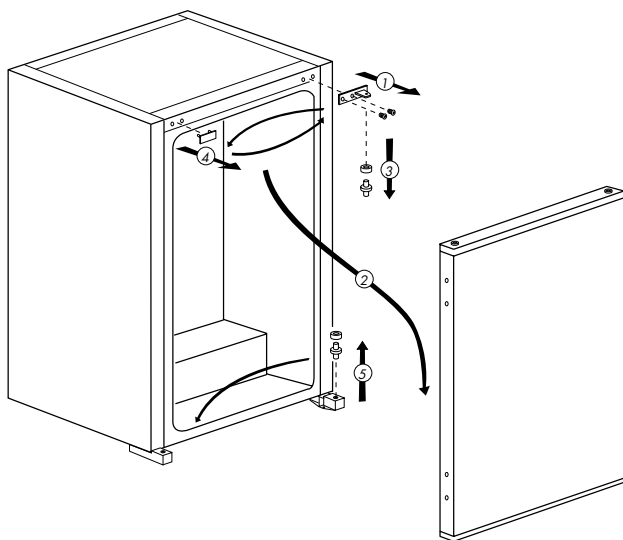
- Pode consultar o seu revendedor autorizado ou o centro de recolha do lixo do seu município a respeito da eliminação do seu frigorífico.

Antes de se desfazer do seu frigorífico, corte a ficha eléctrica e, se houver trincos nas portas, deixe-os inutilizados, a fim de proteger as crianças contra qualquer perigo.



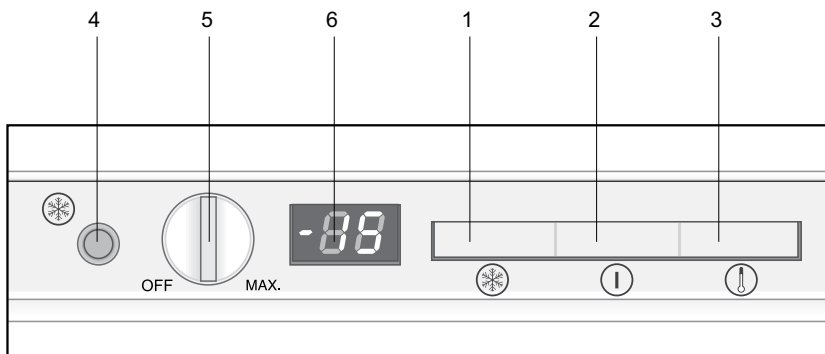
## Inverter as portas

Proceda em ordem numérica



## 4 Utilizar o seu frigorífico

### Indicadores LED e painel de controlo



#### Indicador âmbar (1)

Ilumina-se quando o interruptor de congelação rápida (4) é ligado, assim permanecendo num máximo de 32 horas ou até que o botão da congelação rápida seja desligado. A congelação rápida destina-se à congelação de alimentos frescos (Consulte a secção Congelar alimentos frescos).

#### Indicador verde (2)

Acende-se quando o congelador é ligado à corrente e assim se manterá enquanto for fornecida alimentação eléctrica. O indicador verde não dá qualquer informação sobre a temperatura no interior do congelador.

#### Indicador vermelho (3)

Ilumina-se

- Quando a temperatura interna aumenta acima de  $-5^{\circ}\text{C}$ . (A luz apaga-se quando a temperatura desce para  $-9^{\circ}\text{C}$ )
- Se o frigorífico estiver sobrecarregado com alimentos frescos.
- Se a porta do frigorífico for deixada aberta acidentalmente.

Aviso: A luz indicadora vermelha possui um retardador incorporado.

Uma vez que o frigorífico esteja alimentado com energia, a luz vermelha indicadora de energia não acenderá por 24 horas.

#### Botão do termostato (5)

O botão do termostato está localizado na estrutura de luzes indicadoras.

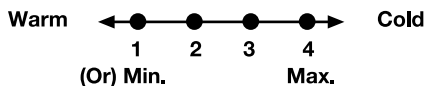
Importante:

Quando premir o interruptor de congelação rápida ou ajustar a temperatura definida, pode ocorrer um pequeno atraso antes do compressor começar a trabalhar. Esta situação é normal e não uma falha do compressor.

E0 fica intermitente no visor se existir uma falha no sensor do congelador.

## Ajuste da temperatura de funcionamento

A temperatura de funcionamento é regulada pelo respectivo controlo.



1 = Definição de arrefecimento mais baixa (Definição mais quente)

4 = Definição de arrefecimento mais elevada (Definição mais fria)

(Ou)

Min. = Definição de arrefecimento mais baixa

(Definição mais quente)

Máx. = Definição de arrefecimento mais elevada

(Definição mais fria)

Escolha a definição de acordo com a temperatura pretendida.

A temperatura inferior também depende da temperatura ambiente, da frequência com que a porta é aberta e da quantidade de alimentos mantidos no interior do equipamento.

A abertura frequente da porta faz subir a temperatura inferior.

Assim, recomendamos o fecho da porta o mais rapidamente possível após a utilização.

A temperatura normal de armazenamento do frigorífico deve ser de  $-18\text{ }^{\circ}\text{C}$  ( $0\text{ }^{\circ}\text{F}$ ). Se o botão do termóstato for rodado para a esquerda a partir da posição 1, o frigorífico será desligado e ouvir-se-á um “click”. Podem ser obtidas temperaturas mais baixas regulando o termóstato para a Posição 4.

Recomendamos que verifique a temperatura com um termómetro, para garantir que os compartimentos de armazenamento se mantêm à temperatura pretendida.

Deve verificar a temperatura muito rapidamente, porque a temperatura do termómetro subirá também muito rapidamente após ser retirado do congelador.

### Congelar alimentos

A área de congelação está marcada com o símbolo no revestimento da porta.

Pode utilizar o equipamento para congelar alimentos frescos, bem como para guardar alimentos pré-congelados. Consulte as recomendações fornecidas na embalagem do alimento.

### ⚠ Atenção

Não congele bebidas gaseificadas já que a garrafa pode rebentar quando o líquido estiver congelado.

Tenha cuidado com os produtos congelados, como os cubos de gelo coloridos.

Não ultrapasse a capacidade de congelação do equipamento por um período superior a 24 horas. Consulte a placa de características.

Para manter a qualidade dos alimentos, o congelamento deve ser efectuado o mais rapidamente possível.

Assim, a capacidade de congelação não será excedida, e a temperatura no interior do congelador não aumentará.

### ⚠ Atenção

Mantenha os alimentos já congelados sempre separados dos alimentos guardados frescos.

Quando congelar alimentos quentes, o compressor de arrefecimento funcionará até os alimentos estarem completamente congelados. Esta situação pode provocar, temporariamente, um arrefecimento excessivo do compartimento de refrigeração.

Se tiver dificuldade em abrir a porta do congelador, após ela ter sido aberta, não se preocupe. Esta situação deve-se à diferença de pressão de compensação. Após alguns minutos a porta abrir-se-á normalmente.

Ouvirá um som de vácuo logo após o fecho da porta. Esta situação é perfeitamente normal.

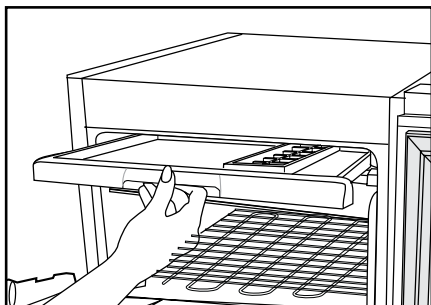
### **Fazer cubos de gelo**

Encha as formas para gelo até 3/4 da sua capacidade e coloque-as no congelador.

Assim que a água se transformar em gelo, pode retirar os cubos.

Nunca utilize objectos pontiagudos, como facas ou garfos, para remover os cubos de gelo. Este procedimento pode causar lesões!

Deixe os cubos de gelo descongelarem ligeiramente, ou coloque o fundo da forma em água quente durante um curto espaço de tempo.



### **Congelação rápida**

Se pretender congelar grandes quantidades de alimentos frescos, prima o respectivo interruptor 24 horas antes de colocar os alimentos frescos no compartimento de congelação rápida.

Recomendamos fortemente que deixe o botão de congelação rápida ligado nas 24 horas para congelar a quantidade máxima de alimentos frescos declarada. Tenha um cuidado especial para não misturar alimentos já congelados com alimentos frescos.

### **Descongelação do equipamento**

O gelo em excesso afecta o desempenho de congelação do equipamento.

Por isso, recomendamos que descongele o equipamento pelo menos duas vezes por ano, ou sempre que a altura do gelo exceder 7 mm.

Descongele o equipamento com ele vazio ou quando tiver poucos alimentos.

Retire os alimentos congelados das gavetas. Embrulhe os alimentos congelados em várias camadas de papel, ou numa manta, e guarde-os num local frio.

Para iniciar o processo de descongelação, retire a ficha da corrente eléctrica ou desligue o interruptor de circuito.

Retire os acessórios (prateleiras, gavetas, etc.) do equipamento e utilize um recipiente adequado para recolher a água proveniente da descongelação.

Utilize uma esponja ou um pano macio para remover a água da descongelação, se necessário.

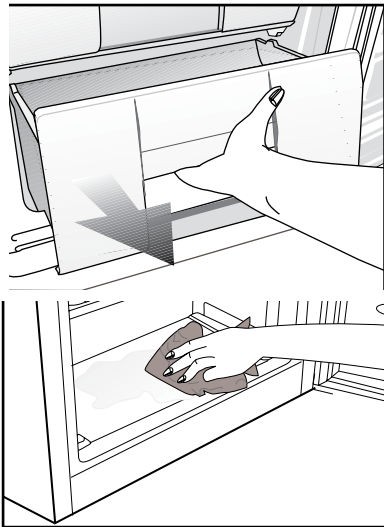
Mantenha a porta aberta durante a descongelação.

Para uma descongelação mais rápida, coloque recipientes com água quente no interior do equipamento.

Nunca utilize dispositivos eléctricos, aerossóis de descongelação ou objectos pontiagudos, como facas ou garfos, para remover o gelo.

Depois da descongelação estar concluída, limpe o interior (Consulte a secção “Limpeza e cuidados”).

Ligue novamente o equipamento à electricidade. Coloque os alimentos congelados nas gavetas e deslize-as para dentro do congelador



## 5 Manutenção e limpeza

---

- ⚠ Nunca use gasolina, benzeno ou substâncias semelhantes para a limpeza.
- ⚠ Recomendamos que desligue a ficha do equipamento da tomada antes da limpeza.
- ℹ Nunca utilize na limpeza objectos abrasivos ou pontiagudos, sabões, produtos de limpeza doméstica, detergentes ou ceras brilhantadoras.
- ℹ Utilize água morna para limpar o exterior do seu frigorífico e seque-o com um pano.
- ℹ Utilize um pano humedecido numa solução composta por uma colher de chá de bicarbonato de soda dissolvido em cerca de meio litro de água para limpar o interior e depois seque-o.
- ⚠ Certifique-se de que não entra água no compartimento da lâmpada e nos outros itens eléctricos.
- ⚠ Se o seu frigorífico não for utilizado durante um longo período de tempo, remova o cabo de alimentação, retire todos os alimentos, limpe-o e deixe a porta entreaberta.
- ℹ Verifique regularmente as borrachas herméticas da porta, para assegurar que elas estão limpas e sem restos de alimentos.
- ℹ Para remover os suportes da porta, retire todo o seu conteúdo e, em seguida, apenas puxe cuidadosamente o seu suporte para cima a partir da base.

### Protecção das superfícies plásticas

- ℹ Não coloque óleos líquidos ou comidas cozinhadas no óleo no seu frigorífico, em recipientes abertos, já que podem danificar as superfícies plásticas do seu frigorífico. No caso de derrame ou salpico de óleo nas superfícies plásticas, limpe e enxagúe a parte correspondente da superfície com água morna.

## 6 Soluções recomendadas para os problemas

Por favor, reveja esta lista antes de telefonar para a assistência. Com isso, pode poupar tempo e dinheiro. Esta lista abrange as reclamações frequentes resultantes de defeitos de fabricação ou utilização do material. Algumas das funções descritas aqui podem não existir no seu produto.

O frigorífico não funciona
<ul style="list-style-type: none"><li>• O frigorífico tem a ficha eléctrica ligada correctamente à tomada? Introduza a ficha na tomada de parede.</li><li>• O fusível da tomada na qual o frigorífico está ligado ou o fusível principal não está queimado? Verifique o fusível.</li></ul>
Condensação na parede lateral do compartimento do frigorífico. (MULTI ZONA, CONTROLO DE ARREFECIMENTO ve FLEXI ZONA)
<ul style="list-style-type: none"><li>• Condições ambientais muito frias. Abertura e fecho frequentes da porta. Condições ambientais de alta humidade. Armazenamento de alimentos que contém líquidos em recipientes abertos. A porta foi deixada entreaberta.</li><li>• Comute o termóstato para um grau mais frio.</li><li>• Diminua o número de vezes de abertura da porta ou utilize menos frequentemente.</li><li>• Cubra os alimentos guardados em recipientes abertos com um material apropriado.</li><li>• Limpe a condensação usando um pano seco e verifique a persistência.</li></ul>
O compressor não está a funcionar.
<ul style="list-style-type: none"><li>• A protecção térmica do compressor deixará de funcionar durante falhas eléctricas repentinas ou na extracção/colocação da ficha eléctrica, já que a pressão refrigerante no sistema de arrefecimento do frigorífico ainda não se encontra estabilizada.</li><li>• O seu frigorífico voltará a funcionar aproximadamente 6 minutos depois. Por favor, chame a assistência se o seu frigorífico não começar a operar no fim deste período.</li><li>• O frigorífico está no ciclo de descongelação. Isto é normal num frigorífico de descongelação totalmente automático. O ciclo de descongelação ocorre periodicamente.</li><li>• O seu frigorífico não está ligado à tomada. Certifique-se de que a ficha está introduzida firmemente na tomada de parede.</li><li>• A regulação da temperatura está feita correctamente? Há uma falha eléctrica. Telefone para a empresa de electricidade.</li></ul>
O frigorífico está a funcionar frequentemente ou por um longo tempo.

- O seu novo frigorífico pode ser mais largo do que o anterior. Esta situação é perfeitamente normal. Os frigoríficos grandes operam por um período maior de tempo.
- A temperatura ambiente pode estar elevada. Isto é bastante normal.
- O frigorífico foi ligado à tomada há pouco tempo ou carregado com alimentos. O arrefecimento total do frigorífico pode demorar mais do que duas horas.
- Podem ter sido colocadas recentemente grandes quantidades de alimentos quentes no frigorífico. Os alimentos quentes obrigam a um funcionamento mais vigoroso do frigorífico até que alcance a temperatura segura de armazenamento.
- As portas podem estar a ser abertas frequentemente ou foram deixadas entreabertas por longo tempo. O ar quente que entrou no frigorífico faz com que o mesmo tenha que funcionar por períodos mais longos. Abra as portas com menos frequência.
- A porta do compartimento do frigorífico ou do congelador pode ter sido deixada entreaberta. Verifique se as portas estão completamente fechadas.
- O frigorífico está ajustado para uma temperatura muito baixa. Ajuste a temperatura do frigorífico para um grau mais quente e aguarde até que a temperatura seja atingida.
- O vedante da porta do frigorífico ou do congelador pode estar sujo, gasto, roto ou não ajustado correctamente. Limpe ou substitua o vedante. O vedante danificado/roto faz com que o frigorífico funcione por um período de tempo maior para que mantenha a temperatura actual.

A temperatura do congelador está muito baixa, enquanto que a temperatura do frigorífico é suficiente.

- A temperatura do congelador está ajustada para uma temperatura muito baixa. Ajuste a temperatura do congelador para um grau mais quente e verifique.

A temperatura do refrigerador está muito baixa, enquanto que a temperatura do congelador é suficiente.

- A temperatura do refrigerador está ajustada para uma temperatura muito baixa. Ajuste a temperatura do refrigerador para um grau mais quente e verifique.

Os alimentos guardados nas gavetas do compartimento do refrigerador estão congelados.

- A temperatura do refrigerador está ajustada para uma temperatura muito baixa. Ajuste a temperatura do refrigerador para um grau mais quente e verifique.



A temperatura no refrigerador ou no congelador é muito alta.

- A temperatura do refrigerador está ajustada para um grau muito alto. O ajuste do refrigerador tem efeito na temperatura do congelador. Altere a temperatura do refrigerador ou do congelador até que a temperatura do refrigerador ou do congelador atinja um nível suficiente.
- A porta pode ter sido deixada entreaberta. Feche totalmente a porta.
- Podem ter sido colocadas recentemente grandes quantidades de alimentos quentes no frigorífico. Aguarde até que o refrigerador ou o congelador atinja a temperatura desejada.
- O frigorífico pode ter sido ligado à tomada há pouco tempo. O arrefecimento total do frigorífico demora um certo tempo devido ao seu tamanho.

Surge do frigorífico um ruído semelhante ao som dos segundos ouvido a partir de um relógio analógico.

- Este ruído é oriundo da válvula selenóide do frigorífico. A válvula selenóide funciona com a finalidade de assegurar a passagem do gás de arrefecimento através do compartimento que pode ser ajustado para temperaturas de arrefecimento ou de congelação e executa funções de arrefecimento. Esta situação é normal e não é causa de problema.

O ruído de funcionamento aumenta quando o frigorífico está a funcionar.

- As características do desempenho de funcionamento do frigorífico podem variar conforme as alterações na temperatura ambiente. Esta situação é normal e não é um problema.

Vibrações ou ruído.

- O piso não está nivelado ou não é resistente. O frigorífico balança quando deslocado lentamente. Certifique-se de que o piso está nivelado, é resistente e capaz de suportar o frigorífico.
- O ruído pode ser causado pelos itens colocados sobre o frigorífico. Tais itens devem ser retirados de cima do frigorífico.

Há ruídos como líquidos a verter ou gotejar.

- Os fluxos de gás e líquidos acontecem conforme os princípios de funcionamento do seu frigorífico. Esta situação é normal e não é um problema.

Há um ruído parecido com o vento a soprar.
<ul style="list-style-type: none"> <li>Os activadores de ar (ventoinhas) são usados para permitir que o frigorífico arrefeça eficientemente. Esta situação é normal e não é um problema.</li> </ul>
Condensação nas paredes internas do frigorífico.
<ul style="list-style-type: none"> <li>O tempo quente e húmido aumenta a formação de gelo e de condensação. Esta situação é normal e não é um problema.</li> <li>As portas estão entreabertas. Certifique-se que as portas estejam completamente fechadas.</li> <li>As portas podem estar a ser abertas com muita frequência ou estão a ser deixadas abertas por muito tempo. Abra a porta com menos frequência.</li> </ul>
Há ocorrência de humidade no exterior do frigorífico ou entre as portas.
<ul style="list-style-type: none"> <li>O tempo pode estar húmido. Isto é bastante normal num tempo húmido. Quando a humidade for menor, a condensação irá desaparecer.</li> </ul>
Maus odores dentro do frigorífico.
<ul style="list-style-type: none"> <li>O interior do frigorífico deve ser limpo. Limpe o interior do frigorífico com uma esponja, água quente ou água com gás.</li> <li>Alguns recipientes ou materiais de embalagem podem exalar cheiros. Utilize um recipiente diferente ou um material de embalagem de marca diferente.</li> </ul>
A(s) porta(s) não está(ão) fechada(s).
<ul style="list-style-type: none"> <li>Os pacotes de alimentos podem impedir o fecho da porta. Coloque de outra forma as embalagens que estão a obstruir a porta.</li> <li>O frigorífico pode não estar completamente na vertical no piso e poderá balançar quando ligeiramente movido. Ajuste os pés frontais para maior elevação.</li> <li>O piso não é sólido ou não está nivelado. Certifique-se de que o piso está nivelado e capaz de suportar o frigorífico.</li> </ul>
As gavetas para frutos e legumes estão bloqueadas.
<ul style="list-style-type: none"> <li>Os alimentos podem estar a tocar o tecto da gaveta. Arrume novamente os alimentos na gaveta.</li> </ul>

# **WARNING !**

- \* DO NOT USE ANY COPPER POT, DISH INSIDE THE CABINET!
- \* DO NOT LOAD ANY FOOD WITHOUT PACKAGE!

# **WARNUNG !**

- \* BENUTZEN SIE KEINERLEI KUPFERGESCHIRR IM GERÄT!
- \* GEBEN SIE KEINE UNVERPACKTEN LEBENSMITTEL IN DAS GERÄT!

# **AVERTISSEMENT !**

- \* N'UTILISEZ PAS DE RECIPIENTS OU DE PLATS EN CUIVRE A L'INTERIEUR DES COMPARTIMENTS !
- \* N'INTRODUISEZ PAS DE DENREES NON EMBALLEES

# **WARNING !**

- \* DO NOT USE ANY COPPER POT, DISH INSIDE THE CABINET!
- \* DO NOT LOAD ANY FOOD WITHOUT PACKAGE!

# **WARNUNG !**

- \* BENUTZEN SIE KEINERLEI KUPFERGESCHIRR IM GERÄT!
- \* GEBEN SIE KEINE UNVERPACKTEN LEBENSMITTEL IN DAS GERÄT!

# **AVERTISSEMENT !**

- \* N'UTILISEZ PAS DE RECIPIENTS OU DE PLATS EN CUIVRE A L'INTERIEUR DES COMPARTIMENTS !
- \* N'INTRODUISEZ PAS DE DENREES NON EMBALLEES