

Microwave Oven

User Manual



MCF25210X | MCF28310X
MCF32410X

EN | DE | FR | ES | RO
IT | PL | TR | RU | AR

01M-8802983200-4418-01

beko




Please read this manual first!

Dear Customer,

Thank you for purchasing a Beko product. We hope that you get the best results from your product which has been manufactured with high quality and state-of-the-art technology. Therefore, please read this entire user manual and all other accompanying documents carefully before using the product and keep it as a reference for future use. If you handover the product to someone else, give the user manual as well. Follow all warnings and information in the user manual.

Meanings of the symbols

Following symbols are used in the various section of this user manual:

	Important information and useful hints about usage.
	Warnings for dangerous situations concerning the safety of life and property.
	Warning for hot surfaces.



This product has been manufactured in environmental friendly modern plants without giving any harm to the nature.

CONTENTS

ENGLISH	13-23
DEUTSCH	24-46
FRANÇAIS	47-68
ESPAÑOL	69-92
ROMÂNĂ	93-116
ITALIANO	117-138
POLSKI	139-161
TÜRKÇE	162-183
РУССКИЙ	184-206

01M-8802973200-2518-01
01M-8802993200-2518-01

Important Safety Instructions Read Carefully And Keep For Future Reference

This section contains safety instructions that will help protect from risk of fire, electric shock, exposure to leak microwave energy, personal injury or property damage. Failure to follow these instructions shall void any warranty.

1.1 General safety

- The microwave oven is intended for heating food and beverages. Drying of food or clothing and heating of warming pads, slippers, sponges, damp cloth and similar may lead to risk of injury, ignition or fire.

This appliance is intended to be used in household and similar applications such as:

- Staff kitchen areas in shops, offices and other working environments;
 - Farm houses
 - By clients in hotels, motels and other residential type environments;
- Bed and Breakfast type environments.
 - Do not attempt to start the oven when its door is open; otherwise you may be exposed to harmful microwave energy. Safety locks should not be disabled or tampered with.
 - Do not place any object between the front side and the door of the oven. Do not allow dirt or cleaning agent remnants built-up on the closure surfaces.
 - Any service works involving removal of the cover that provides protection against exposure to microwave energy must be performed by authorized persons/service. Any other approach is dangerous.
 - Your product is intended for cooking, heating and defrost food at home. It must not be used for commercial purposes. Manufacturer shall not be held liable for damages that have arisen from misuse.
 - Do not use this appliance outdoors, bathrooms, humid environments or in places where the it can get wet.

- No responsibility or warranty claim shall be assumed for damages arising from misuse or improper handling of the appliance.
- Never attempt to dismantle the appliance. No warranty claims are accepted for damage caused by improper handling.
- Only use the original parts or parts recommended by the manufacturer.
- Do not leave this appliance unattended while it is in use.
- Always use the appliance on a stable, flat, clean dry, and non-slip surface.
- The appliance should not be operated with an external clock timer or separate remote control system.
- Before using the appliance for the first time, clean all parts. Please see the details given in the "Cleaning and Maintenance" section.
- Operate the appliance for its intended purpose only as described in this manual. Do not use abrasive chemicals or steam on this appliance. This oven is particularly intended for heating and cooking the food. It is not intended for industrial or laboratory use.
- Do not use your appliance to dry clothes or kitchen towels.
- Appliance becomes very hot while it is in use. Pay attention not to touch the hot parts inside the oven.
- Your oven is not designed to dry any living being.
- Do not operate the oven empty.
- Only use utensils that are suitable for use in microwave ovens.
- Cooking utensil may get hot due to the heat transferred from the heated food to the utensil. You may need oven gloves to hold the utensil.
- Utensils shall be checked to ensure that they are suitable for use in microwave ovens.
- Do not place the oven on stoves or other heat generating appliances. Otherwise, it may be damaged and the warranty becomes void.
- Microwave oven must not be placed in a cabinet that is not in compliance with the installation instructions.
- Steam may come out while opening the covers or the foil after cooking the food.

- Use gloves while taking any kind of heated food out.
- The appliance and its accessible surfaces may be very hot when the appliance is in use.
- Door and outer glass may be very hot when the appliance is in use.
- Use the appliance with a grounded outlet only.
- Never use the appliance if the power cable or the appliance itself is damaged.
- Do not use this appliance with an extension cord.

1.1.1 Electrical safety

- If the supply cord is damaged, it must be replaced by the manufacturer or its service agent or a similarly qualified person in order to avoid a hazard.
- Beko Microwave Ovens comply with the applicable safety standards; therefore, in case of any damage on the appliance or power cable, it should be repaired or replaced by the dealer, service center or a specialist and authorized service alike to avoid any danger. Faulty or unqualified repair work may be dangerous and cause risk to the user.
- Make sure that your mains power supply complies with the information supplied on the rating plate of the appliance. The only way to disconnect the appliance from the power supply is to remove the power plug from the power outlet.
- Never touch the appliance or its plug with damp or wet hands.
- Place the appliance in a way so that the plug is always accessible.
- Prevent damage to the power cable by not squeezing, bending, or rubbing it on sharp edges. Keep the power cable away from hot surfaces and naked flame.
- Make sure that there is no danger that the power cable could be accidentally pulled or that someone could trip over it when the appliance is in use.
- Unplug the appliance before each cleaning and when the appliance is not in use.
- Do not pull the power cable of the appliance to disconnect it from its power supply and never wrap its power cable around the appliance.
- Do not immerse the appliance, power cable, or power plug in water or any other liquids. Do not hold it under running water.

- When heating food in plastic or paper containers, keep an eye on the oven due to the possibility of ignition.
- Remove the wire strings and/or metal handles of paper or plastic bags before placing bags suitable for use in microwave oven to the oven.
- If smoke is observed, switch off or unplug the appliance and keep the door closed in order to stifle any flames.
- Do not use inside of the oven to store something. Do not leave paper items, cooking material or food inside the oven when it is not being used.
- The contents of feeding bottles and baby food jars shall be stirred or shaken and the temperature shall be checked before consumption, in order to avoid burns.
- This appliance is a Group 2 Class B ISM equipment. Group 2 contains all ISM (Industrial, Scientific and Medical) equipment in which radio-frequency energy is intentionally generated and/or used in the form of electromagnetic radiation for the treatment of material, and spark erosion equipment.
- Class B equipment is suitable for use in domestic establishments and establishments directly connected to a low voltage power supply network.
- Door or outer surface of the appliance may become hot when it is in use.

1.1.2 Product safety

- Heating the beverages with microwave may cause them to boil by splashing around after they have been taken out of the oven; so be careful when you are holding the containers.
- Do not roast anything in the oven. Hot oil may damage the components and materials of the oven, and it may even cause skin burns.
- Pierce food with thick crust such as potatoes, zucchinis, apples and chestnuts.
- Appliance must be placed so that the rear side is facing the wall.
- Before moving the appliance, please secure the turntable to prevent damage to it.

1

Important safety and environmental instructions

- Eggs in their shell and whole hard-boiled eggs must not be heated in microwave ovens since they may explode, even after microwave heating has ended.
- Never remove the parts at the rear and sides of the appliance, which protect the minimum distances between the cabinet walls and the appliance in order to allow for the required air circulation.
- **WARNING:** It is hazardous for anyone other than a competent person to carry out any service or repair operation which involves the removal of a cover which gives protection against exposure to microwave energy.
- **WARNING:** Liquids and other foods must not be heated in sealed containers since they are liable to explode.

1.2 Intended use

- The oven should be cleaned regularly and any food deposits removed.
- Failure to maintain the oven in a clean condition could lead to deterioration of the surface that could adversely affect the life of the appliance and possibly result in a hazardous situation.
- Cleaning the door seals and adjacent parts: Use hot soapy water. Clean with a dish cloth, do not scour. Do not use a metal or glass scraper for cleaning.
- **WARNING:** If the door or door seals are damaged, the oven must not be operated until it has been repaired by a competent person.
- Do not use the appliance for anything other than its intended use.
- Do not use the appliance as a heat source.
- Microwave oven is intended to thaw, cook and stew food only.
- Do not over-cook foods; otherwise, you may cause a fire.
- Do not use steam assisted cleaners to clean the appliance.

1.3 Children's safety

- Extreme caution is advised when being used near children and persons who are restricted in their physical, sensory or mental abilities.

1

Important safety and environmental instructions

- This appliance can be used by the children who are at the age of 8 or over and by the people who have limited physical, sensory or mental capacity or who do not have knowledge and experience, as long as they are supervised with regard to safe use of the product or they are instructed accordingly or understand the risks of using the product. Children should not play with the appliance. Cleaning and user maintenance procedures should not be performed by children unless they are controlled by their elders.
- Danger of choking! Keep all the packaging materials away from children.
- Only allow children to use the oven without supervision when adequate instructions have been given so that the child is able to use the microwave oven in a safe way and understands the hazards of improper use.
- Due to excessive heat that arises in grill and combination modes, children should only be allowed to use these modes under supervision of an adult.
- Keep the product and its power cable so that they are inaccessible by children under 8 years old.
- The appliance and its accessible surfaces may be very hot when the appliance is in use. Keep children away.
- The appliance is not intended for use by persons (including children) with reduced physical, sensory or mental capabilities, or lack of experience and knowledge, unless they have been given supervised or instruction concerning use of the appliance by a responsible person for their safety.
- Young children should be supervised to ensure that they do not play with the appliance.
- **WARNING:** Only allow children to use the oven without supervision when adequate instructions have been given so that the child is able to use the oven in a safe way and understands the hazards of improper use.

1

Important safety and environmental instructions

1.4 Compliance with the WEEE Directive and Disposing of the Waste Product

This product complies with EU WEEE Directive (2012/19/EU). This product bears a classification symbol for waste electrical and electronic equipment (WEEE).



This product has been manufactured with high quality parts and materials which can be reused and are suitable for recycling. Do not dispose of the waste product with normal domestic and other wastes at the end of its service life. Take it to the collection center for the recycling of electrical and electronic equipment. Please consult your local authorities to learn about these collection centers.

1.5 Compliance with RoHS Directive

The product you have purchased complies with EU RoHS Directive (2011/65/EU). It does not contain harmful and prohibited materials specified in the Directive.

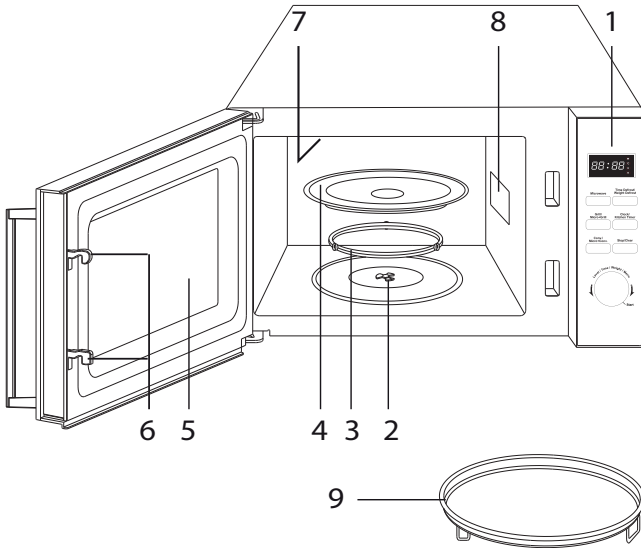
1.6 Package information



Packaging materials of the product are manufactured from recyclable materials in accordance with our National Environment Regulations. Do not dispose of the packaging materials together with the domestic or other wastes. Take them to the packaging material collection points designated by the local authorities.

2 Your microwave oven

2.1 Overview



1. Control panel
2. Turntable shaft
3. Turntable support
4. Glass tray
5. Oven window
6. Door safety interlock system
7. Grill heater
8. Wave guide (Please do not remove the mica plate covering the wave guide)
9. Bake tray

Markings on the product or the values stated in other documents supplied with the product are values obtained under laboratory conditions as per relevant standards. These values may vary according to the usage of the appliance and ambient conditions. Power values are tested at 230V.

2 Your microwave oven

2.2 Technical data

	MCF25210X	MCF28310X	MCF32410X
Voltage / Frequency	230-240V/50Hz		
Power Input - Microwave	1400W		1500W
Power Output - Microwave	900W		1000W
Power - Grill	1200W	1250W	
Input Power (Convection)	2250W	2300W	
Microwave Frequency	2450MHz		
Turntable diameter	270 mm	315 mm	
External dimensions	562*560*362 mm	608*558*366 mm	608*604*366 mm
Oven cavity dimensions	340(L)*333(D)*240(H) mm	353(L)*345(D)*245(H) mm	368(L)*384(D)*238(H) mm
Oven Capacity	25 L	28 L	32 L
Net weight	16.8 kg	19.8 kg	21.2 kg

3 Installation and connection

3.1 Installation

1. Make sure that all the packing materials are removed from the inside of the door.



WARNING: Check the oven for any damage, such as misaligned or bent door, damaged door seals and sealing surface, broken or loose door hinges and latches and dents inside the cavity or on the door. If there is any damage, do not operate the oven and contact qualified service personnel.

2. This microwave oven must be placed on a flat, stable surface to hold its weight and the heaviest food likely to be cooked in the oven.
3. Do not place the oven where heat, moisture, or high humidity are generated, or near combustible materials.
4. For correct operation, the oven must have sufficient airflow. Allow minimum 20cm of free space necessary above the top surface of the oven and 5cm at both sides. The microwave oven rear plate must be placed close to the wall. Do not cover or block any openings on the appliance. Do not remove feet.
5. Do not operate the oven without glass tray, roller support, and shaft in their proper positions.
6. Make sure that the power supply cord is undamaged and does not run under the oven or over any hot or sharp surface.
7. The socket must be readily accessible so that it can be easily unplugged in an emergency.
8. Do not use the oven outdoors.

3.2 Radio interference

Operation of the microwave oven can cause interference to your radio, TV, or similar equipment. When there is interference, it may be reduced or eliminated by taking the following measures:

1. Clean door and sealing surface of the oven.

2. Reorient the receiving antenna of radio or television.
3. Relocate the microwave oven with respect to the receiver.
4. Move the microwave oven away from the receiver.
5. Plug the microwave oven into a different outlet so that microwave oven and receiver are on different branch circuits.

3.3 Grounding instructions

This appliance must be grounded. This oven is equipped with a cord having a grounding wire with a grounding plug. It must be plugged into a wall receptacle that is properly installed and grounded. In the event of an electrical short circuit, grounding reduces risk of electric shock by providing an escape wire for the electric current. It is recommended that a separate circuit serving only the oven be provided. Using a high voltage is dangerous and may result in a fire or other accident causing oven damage.



WARNING: Improper use of the grounding plug can result in a risk of electric shock.



If you have any questions about the grounding or electrical instructions, consult a qualified electrician or service person.



Neither the manufacturer nor the dealer can accept any liability for damage to the oven or personal injury resulting from failure to observe the electrical connection procedures.

The wires in this cable main are colored in accordance with the following code:

Green and Yellow = EARTH
Blue = NEUTRAL
Brown = LIVE

3 Installation and connection

3.4 Microwave cooking principles

1. Arrange food carefully. Place thickest areas towards outside of dish.
2. Watch cooking time. Cook for the shortest amount of time indicated and add more as needed. Food severely overcooked can smoke or ignite.
3. Cover foods while cooking. Covers prevent splattering and help foods to cook evenly.
4. Turn foods over once during microwaving to speed cooking of such foods as chicken and hamburgers. Large items like roasts must be turned over at least once.
5. Rearrange foods such as meatballs halfway through cooking both from top to bottom and from the center of the dish to the outside.

3.5 Before you call for service

If the oven fails to operate:

1. Check to ensure that the oven is plugged in securely. If it is not, remove the plug from the outlet, wait 10 seconds, and plug it in again securely.
2. Check for a blown circuit fuse or a tripped main circuit breaker. If these seem to be operating properly, test the outlet with another appliance.
3. Check to ensure that the control panel is programmed correctly and the timer is set.
4. Check to ensure that the door is securely closed engaging the door safety lock system. Otherwise, the microwave energy will not flow into the oven.

IF NONE OF THE ABOVE RECTIFIES THE SITUATION, THEN CONTACT A QUALIFIED TECHNICIAN. DO NOT TRY TO ADJUST OR REPAIR THE OVEN YOURSELF.

3.6 Utensils guide

1. Microwave cannot penetrate metal. Only use utensils that are suitable for use in microwave ovens. Metallic containers for food and beverages are not allowed during microwave cooking. This requirement is not applicable if the manufacturer specifies size and shape of metallic containers suitable for microwave cooking.
2. Microwave cannot penetrate metal, so metal utensils or dishes with metallic trim should not be used.
3. Do not use recycled paper products when microwave cooking, as they may contain small metal fragments which may cause sparks and/or fires.
4. Round /oval dishes rather than square/oblong ones are recommend, as food in corners tends to overcook.
5. Narrow strips of aluminum foil may be used to prevent overcooking of exposed areas. But be careful don't use too much and keep a distance of 1 inch (2.54cm) between foil and cavity.

3 Installation and connection

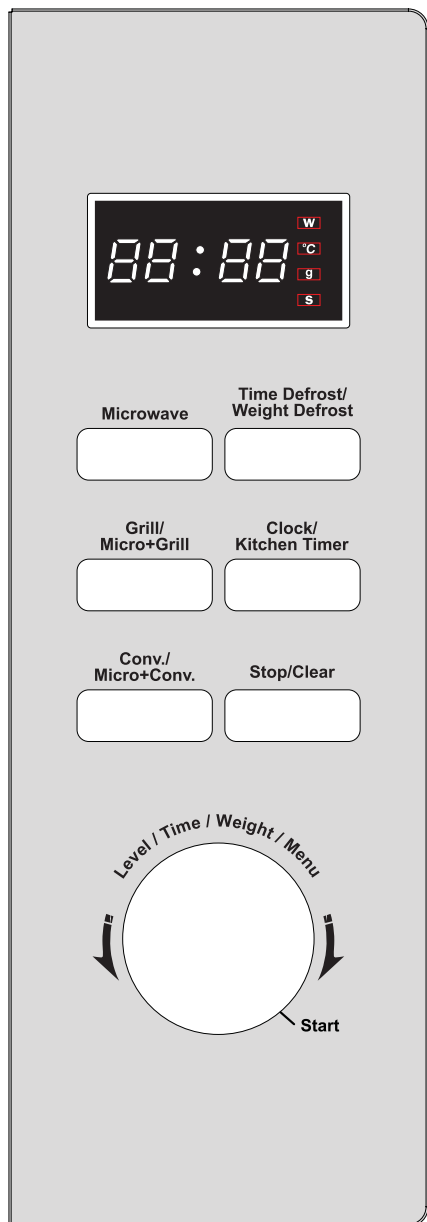
The list below is a general guide to help you select the correct utensils.

Cookware	Microwave	Grill	Convection	Combination*
Heat-Resistant Glass	Yes	Yes	Yes	Yes
Non Heat-Resistant Glass	No	No	No	No
Heat-Resistant Ceramics	Yes	Yes	Yes	Yes
Microwave-Safe Plastic Dish	Yes	No	No	No
Kitchen Paper	Yes	No	No	No
Metal Tray	No	Yes	Yes	No
Baking plate	No	Yes	Yes	No
Aluminum Foil & Foil Container	No	Yes	Yes	No

* Combination: applicable for both "micro+grill", and "micro+convection" cooking.

4 Operation

4.1 Control panel



4.2 Menu Action Screen

- Cooking time, power, action indicators, and clock time are displayed.

"Microwave"

- Press this button to set microwave cooking program.

"Clock/Kitchen Timer"

- Press to set clock time.
- Press set kitchen timer function.

Conv/Micro + Conv.

- Press to program convection cooking.
- Press to select one of four combination cooking settings.

"Grill/Micro+Grill"

- Press to set grill program.
- Press to select one of two combination cooking settings.

"Stop/Clear"

- Press to cancel setting or reset the oven before setting a cooking program.
- Press once to temporarily stop cooking, or twice to cancel cooking altogether.

"Level/Time/Weight/Menu" (Knob)

- Turn the knob to enter cooking time.
- Turn the knob to select an auto-cooking menu.
- Turn the knob to select microwave cooking power level.
- Turn the knob to set convection cooking temperature.

"Start" (The knob)

- Press once to start a cooking program.
- Simply press it a number of times to set cooking time and cook immediately at full power level

Time Defrost/Weight Defrost

- Press once to set defrost program based on time entered.
- Press twice to set defrost program based on weight entered.

4 Operation

4.3 How to set the oven controls

- When the oven first plugged in, beep will sound and the display will show "1:01".
- During cooking, if press "Stop/Clear" pad once, the program will be paused, then press "Start" pad to resume, but if press "Stop/Clear" pad twice, the program will be canceled.
- After ending cooking, the system will sound beeps to remind user every two minutes until user press "Stop/Clear" pad or open the door.
- The electronically controlling system of the microwave oven has the feature of cooling. As for any cooking mode which cooking time above 2 minutes, open the oven door or cooking program is paused, the oven fan will work about 3 minutes automatically to cool the oven for prolonging the life of the oven.

4.4 Setting clock time

This is a 12 or 24 hour clock. You can choose it by touching Clock/Kitchen pad.

FOR EXAMPLE: Suppose you want to set the oven clock time to 8:30.

1. Press and hold "Clock/Kitchen Timer" button for 3 seconds to select 12 hour clock cycle (if you want to choose 24 hour clock, press the pad again).
2. Turn Level/Time/Weight/Menu knob to set hour digit 8.
3. Press "Clock/Kitchen Timer" button once to confirm the hour setting.
4. Turn "Level/Time/Weight/Menu" to set minute digit 30.
5. Press "Clock/Kitchen Timer" button once to confirm the setting.



To check the time while the oven is operating, press the "Clock/Kitchen Timer" button, then the current time will be displayed for a while on the display screen.

4.5 Quick start

The oven will cook food quickly at HIGH power (100% power output) for quick start cooking program.

Just press the "Start" knob a number of times to set cooking time, the oven starts working automatically at full power. The maximum cooking time you can enter is 10 minutes.

4.6 Microwave cooking

For "Microwave" cooking, cooking power level and cooking time can be set. The longest cooking time is 95 minutes.

For example, suppose you want to cook for 10 minute at 450W of "Microwave" power.

1. Presses "Microwave" button once and then turn the "Level/Time/Weight/Menu" dial to choose cooking power level.
2. Press "Start" to confirm.
3. Turn "Level/Time/Weight/Menu" knob to set cooking time.
4. Press "Start".



There are 11 kinds of cooking power level (P100, P-90, P-80, P-70, P-60, P-50, P-40, P-30, P-20, P-10, P-00) you can choose by turning the "Level/Time/Weight/Menu" dial.

During cooking, you can check the power level by touching "Microwave" pad.

4.7 Weight defrost

The oven allows you to defrost food based on the weight entered by user. The defrosting time and power level are automatically set once the food category and the weight are programmed. The frozen food weight ranges from 100g to 1800g.

1. In waiting mode, press Time Defrost/Weight Defrost pad twice.
2. Turn the "Level/Time/Weight/Menu" dial to select weight of food to be defrosted.

4 Operation

3. Press "Start" to confirm.



The oven stops during defrosting to let the user to turn food over for uniform defrosting and then press "Start" to defrost for the remaining time.

The oven will not cook well if you happen to enter weight in excess of the maximum recommended.

4.8 Time defrost

The oven allows you to defrost food based on the time entered by user.

1. In waiting mode, press "Defrost/Weight Defrost" pad once.
2. Turn the "Level/Time/Weight/Menu" dial to enter defrost time.
3. Press "Start" to confirm.



The oven stops during defrosting to let the user to turn food over for uniform defrosting and then press "Start" to defrost for the remaining time.

4.9 Grill

The oven allows you to grill food based on the time entered by user. The longest cooking time is 95 minutes.

1. Press "Grill/Micro+Grill button" once.
2. Press "Start" to confirm
3. Turn "Level/Time/Weight/Menu" dial to enter cook time.
4. Press "Start".

4.10 Micro + Grill

The longest cooking time is 95 minutes. This feature allows you to combine grill and "Microwave" cooking on two different settings.

4.10.1 Combination 1

30% of time for "Microwave" cooking, 70% for grill cooking. Use for fish, potatoes or au gratin.

Suppose you want to set combination 1 cooking for 25 minutes.

1. Press "Grill/Micro+Grill" button twice and then turn the "Level/Time/Weight/Menu" dial until the display show "Gr2".
2. Press "Start" to confirm.
3. Turn the "Level/Time/Weight/Menu" dial to enter cook time.
4. Press "Start" button.

4.10.2 Combination 2

55% of time for "Microwave" cooking, 45% for grill cooking. Use for pudding, omelets, baked potatoes and poultry.

Suppose you want to set combination 2 cooking for 12 minutes.

1. Press "Grill/Micro+Grill" button twice and then turn the "Level/Time/Weight/Menu" dial until the display show "Gr3".
2. Press "Start" to confirm.
3. Turn the "Level/Time/Weight/Menu" dial to enter cook time.
4. Press "Start" button.

4.11 Convection

During convection cooking, hot air is circulated throughout the oven cavity to brown and make crisp foods quickly and evenly. This oven can be programmed for ten different cooking temperatures. Max cooking time user can set is 95 minutes.

To Cook with Convection

To cook with convection, presses "Conv/Micro+Conv." pad once and then turn the "Level/Time/Weight/Menu" dial clockwise to enter the desired convection temperature (110°C, 120°C, 130°C, 140°C, 150°C, 160°C, 170°C, 180°C, 190°C, 200°C).

4 Operation

Suppose you want to cook at 180°C for 40 minutes.

1. In waiting mode, place food into oven, and close it.
2. Presses "Conv/Micro+Conv." pad once and then turn the "Level/Time/Weight/Menu" dial clockwise to enter the convection temperature 180°C.
3. Press "Start" to confirm.
4. Turn "Level/Time/Weight/Menu" knob to enter cooking time (The longest time is 95 min).
5. Press "Start" button.



You can check the convection temperature while cooking is in progress by touching the "Conv/Micro+Conv." pad.

To Preheat and Cook with Convection

Your oven can be programmed to combine pre-heating and convection cooking operations.

Suppose you want to preheat to 170°C and then cook 35 minutes.

1. In waiting mode, place food into oven, and close it.
2. Presses "Conv/Micro+Conv." pad once and then turn the "Level/Time/Weight/Menu" dial clockwise to enter the convection temperature 170°C.
3. Press "Start" to confirm and press "Start" pad again.
4. When oven reaches the designated temperature, it "beep" per 5 sec to remind user.
5. Open the door and place container of food at the center of the turntable.
6. Turn "Level/Time/Weight/Menu" knob to enter cooking time.
7. Press "Start" button.



The longest preheat time is 30 minutes, and the preheat time cannot be set. When reaches the preheat temperature the oven will sound beeps every 5 seconds, if there is not any operation within 30 minutes, the program will auto end.

4.12 Micro +convection

This oven has four pre-programmed settings that make it easy to cook with both convection heat and "Microwave" automatically. Maximum cooking time user can set is 95 minutes.

Press "Conv/Micro+Conv." button twice and then turn the "Level/Time/Weight/Menu" dial to program convection temperature (200C→170C→140C→110C).

1. In waiting mode, place food into oven, and close it.
2. Press "Conv/Micro+Conv." button twice
3. Turn the "Level/Time/Weight/Menu" dial to indicate convection temperature.
4. Press "Start" to confirm.
5. Turn "Level/Time/Weight/Menu" knob to enter cooking time.
6. Press "Start" button.



During cooking, you can check the convection temperature while cooking is in progress by pressing the "Conv/Micro+Conv." button.

4.13 Setting the kitchen timer

you could set the oven timer to remind you the cooking time. The longest time you can set is 95 minutes.

Suppose you want to set the kitchen timer for 30 minutes:

1. Press "Clock/Kitchen Timer" button once.
2. Rotate the digital knob "Level/Time/Weight/Menu" to set 30:00.
3. Press "Start" to confirm.

4 Operation



When the timer is counting, you can press "Clock/Kitchen Timer" to see the timer time for 5 seconds and press "Stop/Clear" within 5 seconds to cancel it.

4.14 Child lock

Use to prevent unsupervised operation of the oven by little children. The CHILD LOCK indicator will show up on display screen, and the oven cannot be operated while the CHILD LOCK is set.

To set the CHILD LOCK: In standby mode, without any operation within one minute, the oven will auto enter child lock mode and all buttons are invalid.

To cancel the CHILD LOCK: In child lock mode, open or close the oven door can cancel the program.

4.15 Protection

4.15.1 Overheating protection

When the system enters into super high temperature protection status, the digital display shows "E01" and continues to beep until troubleshooting, then press "Stop/Clear" pad, the system comes back to normal standby mode.

4.15.2 Low temperature protection

When the system enters into super low temperature protection status, the digital display shows "E02" and continues to beep until press "Stop/Clear", the system comes back to normal standby mode.

4.15.3 Sensor malfunction protection

The system enters into protection mode when the system sensor is Short Circuited. The display shows "E03" and continues to beep until press "Stop/Clear", the system comes back to normal standby mode.

4.16 Auto cooking

For the following foods or cooking operation, you do not need to input cooking power and time. Try to focus on telling the oven what you want to cook and how much the food weighs. The oven starts to work after you pressing the "Start".

For example:

1. In waiting mode, turn the "Level/Time/Weight/Menu" dial anti-clockwise to select food code
2. Press "Start" once.
3. Turn the "Level/Time/Weight/Menu" dial to select the desired weight.
4. Press "Start" button.

4 Operation

Auto cooking menu

Code	Food	
A-1	Milk/Coffee (200ml/cup)	NOTES: 1. For milk/coffee and potato, the screen will show the number of serving instead of food weight. 2. For item A-7 the oven stops during defrosting to let the user to turn food over for uniform defrosting and then press "Start" to finish the remaining time 3. The result of auto cooking depends on factors such as voltage fluctuation, the shape and size of food, your personal preference as to the doneness of certain foods and even how well you happen to place food in the oven. If you find the result at any rate not quite satisfactory, please adjust the cooking time a little bit accordingly.
A-2	Popcorn (99g)	
A-3	Spaghetti (g)	
A-4	Potato (230g/unit)	
A-5	Auto Reheat (g)	
A-6	Fish (g)	
A-7	Chicken (g)	
A-8	Pizza (g)	
A-9	Cake (475g)	

5 Cleaning and maintenance

5.1 Cleaning and care

1. Turn off the oven and remove the power plug from the wall socket before cleaning.
2. Keep the inside of the oven clean. When food splatters or spilled liquids adhere to oven walls, wipe with a damp cloth. Mild detergent may be used if the oven gets very dirty. Avoid the use of spray and other harsh cleaners as they may stain, streak or dull the door surface.
3. The outside surfaces should be cleaned with a damp cloth. To prevent damage to the operating parts inside the oven, water should not be allowed to seep into the ventilation openings.
4. Wipe the both sides of the door and window, the door seals and adjacent parts frequently with a damp cloth to remove any spills or splatters. Do not use abrasive cleaner.
5. A steam cleaner is not be used.
6. Do not allow the control panel to become wet. Clean with a soft, damp cloth. When cleaning the control panel, leave oven door open to prevent oven from accidentally turning on.
7. If steam accumulates inside or around the outside of the oven door, wipe with a soft cloth. This may occur when the microwave oven is operated under high humidity condition. And it is normal.
8. It is occasionally necessary to remove the glass tray for cleaning. Wash the tray in warm sudsy water or in a dishwasher.
9. The roller ring and oven floor should be cleaned regularly to avoid excessive noise. Simply wipe the bottom surface of the oven with mild detergent. The roller ring may be washed in mild sudsy water or dishwasher. When removing the roller ring from cavity floor for cleaning, be sure to replace in the proper position.
10. Remove odors from your oven by combining a cup of water with the juice and skin of one lemon in a deep microwaveable bowl, microwave for 5 minutes. Wipe thoroughly and dry with a soft cloth.
11. When it becomes necessary to replace the oven light, please consult a dealer to have it replaced.
12. The oven should be cleaned regularly and any food deposits removed. Failure to maintain the oven in a clean condition could lead to deterioration of the surface that could adversely affect the life of the appliance and possibly result in a hazardous situation.
13. Please do not dispose this appliance into the domestic rubbish bin; it should be disposed to the particular disposal center provided by the municipalities.
14. When the microwave oven with grill function is first used, it may produce slight smoke and smell. This is a normal phenomenon because the oven is made of a steel plate coated with lubricating oil, and the new oven will produce fumes and odor generated by burning the lubricating oil. This phenomenon will disappear after a period of using.

5.2 Storage

- If you do not intend to use the appliance for a long time, please store it carefully.
- Please make sure that the appliance is unplugged, cooled down and totally dry.
- Store the appliance in a cool and dry place.
- Keep the appliance out of the reach of children

5.3 Handling and transportation

- During handling and transportation, carry the appliance in its original packaging. The packaging of the appliance protects it against physical damages.
- Do not place heavy loads on the appliance or the packaging. The appliance may be damaged.
- Dropping the appliance will render it non-operational or cause permanent damage..

6 Troubleshooting

Normal	
Microwave oven interferes with TV reception	Radio and TV reception may be interfered when microwave oven is operating. It is similar to the interference caused by small electrical appliances, like mixer, vacuum cleaner, and electric fan. It is normal.
Oven light is dimmed	In low power microwave cooking, oven light may be dimmed. It is normal.
Steam accumulating on door, hot air coming out of vents	During cooking, steam may arise from the food. Most of this steam will get out from vents. But some may accumulate on a cool place like oven door. It is normal.
Oven started accidentally with no food in it.	It is not allowed to run the appliance without any food inside. It is very dangerous.

Problem	Possible Reason	Solution
Oven cannot be started.	1) Power cable is not plugged in properly.	Unplug. Then plug again after 10 seconds.
	2) Fuse is blown or circuit breaker is activated.	Replace fuse or reset circuit breaker (repaired by professional personnel of our company).
	3) Trouble with outlet.	Test the outlet with other electrical appliances.
Oven does not heat.	4) Door is not closed properly.	Close the door properly.
Glass turntable makes noise when microwave oven operates	5) Turntable and bottom of the oven is dirty.	Refer to "Cleaning and Maintenance" section to clean dirty parts.




Bitte zunächst diese Anleitung lesen!

Werter Kunde,

Danke, dass Sie sich für ein Produkt der Marke Beko entschieden haben. Wir hoffen, dass Sie mit diesem Produkt, das mit den höchsten Qualitätsanforderungen und der modernsten Technologie hergestellt wurde, beste Ergebnisse erzielen. Bitte lesen Sie die gesamte Bedienungsanleitung und alle anderen Begleitdokumente aufmerksam, bevor Sie das Produkt verwenden; bewahren Sie sie zum künftigen Nachschlagen sicher auf. Wenn Sie das Produkt an einen Dritten weitergeben, händigen Sie bitte auch diese Anleitung aus. Befolgen Sie alle Warnhinweise und Informationen in dieser Anleitung.

Bedeutung der Symbole

Folgende Symbole werden in den verschiedenen Abschnitten dieser Bedienungsanleitung verwendet:

	Wichtige Informationen und nützliche Tipps in Bezug auf die Verwendung.
	Warnhinweise zu gefährlichen Situationen im Hinblick auf die Sicherheit von Leib, Leben und Eigentum.
	Warnung vor heißen Flächen.



Dieses Produkt wurde in umweltfreundlichen, modernen Einrichtungen ohne schädliche Auswirkungen auf die Natur hergestellt.

Dieses Gerät stimmt mit der WEEE-Richtlinie überein.



Es enthält kein PCB.

Dieser Abschnitt enthält Sicherheitsanweisungen, die beim Schutz vor Personen- und Sachschäden, Bränden, Stromschlägen und dem Austreten von Mikrowellenenergie helfen. Bei Nichtbeachtung dieser Anweisungen erlöschen die gewährten Garantien.

1.1 Allgemeine Sicherheit

- Versuchen Sie nicht, das Gerät zu starten, wenn dessen Tür offen ist; andernfalls könnten Sie sich gefährlicher Mikrowellenenergie aussetzen. Sicherheitssperren dürfen nicht deaktiviert oder manipuliert werden.
- Stecken Sie nichts zwischen Vorderseite und Gerätetür. Achten Sie darauf, dass sich weder Schmutz noch Reste von Reinigungsmitteln am Gehäuse ansammeln.
- Jegliche Wartungsarbeiten in Verbindung mit dem Entfernen von Abdeckungen, die vor der Aussetzung von Mikrowellenenergie schützen, müssen von autorisiertem Servicepersonal durchgeführt werden. Jede andere Herangehensweise ist gefährlich.
- Ihr Produkt dient dem Garen, Erhitzen und Auftauen von Lebensmitteln zuhause. Es darf nicht gewerblich eingesetzt werden. Der Hersteller haftet nicht für Schäden, die durch Missbrauch entstehen.
- Gerät nicht im Freien, in Badezimmern, feuchten Umgebungen oder an anderen Orten verwenden, an denen es feucht werden kann.
- Bei Schäden durch Missbrauch oder falschen Gebrauch des Gerätes erlöschen jegliche Haftungs- und Garantieansprüche.
- Niemals versuchen, das Gerät auseinanderzubauen. Für Schäden durch unsachgemäße Handhabung wird keine Haftung übernommen.
- Nur Originalteile und vom Hersteller empfohlene Teile verwenden.
- Dieses Gerät beim Einsatz nicht unbeaufsichtigt lassen.
- Gerät immer auf einer stabilen, ebenen, sauberen, trockenen und rutschfesten Unterlage benutzen.
- Das Gerät sollte nicht mit Zeitschaltuhren oder separaten

Fernsteuerungssystemen betrieben werden.

- Vor der ersten Inbetriebnahme des Gerätes alle Komponenten reinigen. Siehe dazu Abschnitt „Reinigung und Pflege“.
- Gerät nur für seinen in dieser Anleitung beschriebenen vorgesehenen Zweck verwenden. Keine aggressiven Chemikalien und keine Dampfreiniger verwenden. Dieses Gerät dient speziell dem Erhitzen und Garen von Lebensmitteln. Es ist nicht für den gewerblichen oder Laboreinsatz vorgesehen.
- Gerät nicht zum Trocknen von Kleidung oder Geschirrtüchern verwenden.
- Das Gerät wird im Betrieb sehr heiß. Achten Sie darauf, keine heißen Teile im Inneren des Gerätes zu berühren.
- Ihr Gerät ist nicht für das Trocknen von Lebewesen vorgesehen.
- Verwenden Sie das Gerät nicht im Leerzustand.
- Küchenutensilien können aufgrund der von den erhitzten Lebensmitteln übertragenen Hitze heiß werden. Möglicherweise benötigen Sie Küchenhandschuhe zum Halten von Utensilien.
- Sie sollten prüfen, ob Utensilien mikrowellengeeignet sind.
- Stellen Sie den Mikrowellenherd nicht auf Öfen oder andere wärmeerzeugende Geräte. Andernfalls können sie beschädigt werden; zudem erlischt die Garantie.
- Der Mikrowellenherd darf nicht in einen Schrank gestellt werden, der nicht den Installationsanweisungen entspricht.
- Nach dem Garen von Lebensmitteln kann beim Entfernen von Abdeckungen und Folien Dampf entweichen.
- Tragen Sie beim Herausnehmen von erhitzten Lebensmitteln Küchenhandschuhe.
- Das Gerät und seine zugänglichen Flächen können im Betrieb sehr heiß werden.
- Tür und Außenseite der Glasfläche

können im Betrieb sehr heiß werden.

1.1.1 Elektrische Sicherheit

- Der Beko-Mikrowellenherd stimmt mit geltenden Sicherheitsstandards überein; daher sollten Gerät oder Netzkabel zur Vermeidung von Gefahren im Falle von Schäden durch den Händler, ein Kundencenter oder einen spezialisierten, autorisierten Serviceanbieter repariert oder ersetzt werden. Fehlerhafte oder unqualifizierte Reparaturen können Gefahren und Risiken für den Benutzer verursachen.
- Sicherstellen, dass Ihre Stromversorgung mit den Angaben am Typenschild des Gerätes übereinstimmt.
Die einzige Möglichkeit, das Gerät von der Stromversorgung zu trennen, besteht darin, das Netzkabel aus der Steckdose zu ziehen.
- Verwenden Sie das Gerät nur mit einer geerdeten Steckdose.
- Gerät niemals benutzen, wenn das Netzkabel oder das Gerät selbst

beschädigt ist.

- Gerät nicht mit einem Verlängerungskabel verwenden.
- Gerät oder Netzstecker nie mit feuchten oder nassen Händen berühren.
- Gerät so aufstellen, dass der Netzstecker immer zugänglich ist.
- Schäden am Netzkabel vermeiden, nicht quetschen, knicken oder über scharfe Kanten ziehen. Netzkabel von heißen Oberflächen und offenen Flammen fernhalten.
- Anschlusskabel so verlegen, dass man daran nicht unbeabsichtigt ziehen kann und das Gerät nicht zur Stolperfalle wird.
- Gerät vor jeder Reinigung und bei Nichtbenutzung von der Stromversorgung trennen.
- Zum Trennen von der Stromversorgung niemals am Netzkabel des Gerätes ziehen; Netzkabel niemals um das Gerät wickeln.
- Gerät, Netzkabel sowie Netzstecker nicht in Wasser oder andere Flüssigkeiten tauchen. Gerät nicht unter fließendes Wasser halten.
- Gerät beim Erhitzen von Lebensmitteln in Kunststoff- oder Pa-

1 Wichtige Hinweise zu Sicherheit und Umwelt

pierbehältern regelmäßig prüfen, da sich der Behälter entzünden könnte.

- Drähte und/oder Metallgriffe von mikrowellengeeigneten Papier- oder Kunststoffbehältern vor dem Erhitzen im Mikrowellenherd entfernen.
- Bei Rauchentwicklung Gerät abschalten, Netzstecker ziehen und Tür zur Vermeidung einer Entzündung geschlossen halten.
- Innenraum des Gerätes nicht zu Aufbewahrungszwecken verwenden. Papiergegenstände, Kochgeräte oder Lebensmittel bei Nichtbenutzung nicht im Mikrowellenherd lassen.
- Der Inhalt von Babyfläschchen und Gläschen muss verrührt bzw. geschüttelt werden; zur Vermeidung von Verbrennungen vor dem Füttern die Temperatur prüfen.
- Dieses Gerät ist ein ISM-Gerät der Gruppe 2, Klasse B. Gruppe 2 beinhaltet alle ISM- (industrielle, wissenschaftliche und medizinische) Geräte, in denen absichtlich Hochfrequenzenergie erzeugt und/oder für die Behandlung von Materialien und für Funken-

erodiermaschinen in Form von elektromagnetischer Strahlung verwendet wird.

- Geräte der Klasse B eignen sich für den Einsatz in Wohnbereichen sowie Bereichen, die direkt mit einem Niederspannungs-Stromversorgungsnetz verbunden sind.
- Tür und Außenseite des Gerätes können im Betrieb heiß werden.

1.1.2 Produktsicherheit

- Flüssigkeiten und andere Lebensmittel dürfen aufgrund von Explosionsgefahr nicht in geschlossenen Behältern erhitzt werden.
- Wenn Getränke beim Erhitzen im Mikrowellenherd zum Kochen gebracht werden, können sie nach dem Herausnehmen aus dem Gerät überlaufen; seien Sie also beim Greifen des Behälters entsprechend vorsichtig.
- Braten Sie nichts im Mikrowellenherd. Heißes Öl kann Komponenten und Materialien des Gerätes beschädigen und sogar Hautverbrennungen verursachen.
- Durchstechen Sie Lebensmittel mit einer dicken Haut, wie z. B. Kartoffeln, Zucchini, Äpfel und

1 Wichtige Hinweise zu Sicherheit und Umwelt

Kastanien.

- Das Gerät muss so aufgestellt werden, dass die Rückseite zur Wand zeigt.
- Falls die Tür oder Türdichtungen beschädigt sind, darf der Mikrowellenherd erst nach Reparatur durch qualifiziertes Personal wieder in Betrieb genommen werden.
- Bitte sichern Sie den Drehteller zur Vermeidung von Beschädigungen, bevor Sie das Gerät bewegen.
- Verwenden Sie den Mikrowellenherd nicht zum Garen oder Erhitzen von Eiern; ganz gleich ob mit oder ohne Schale.
- Entfernen Sie niemals die Teile an der Rückseite oder den Seitenwänden des Gerätes; diese sorgen für den Mindestabstand zwischen den Schrankwänden und dem Gerät zur Gewährleistung der erforderlichen Luftzirkulation.

1.2 Zweckmäßiger Gebrauch

- Mikrowellenherd nur als Einbaugerät verwenden.
- Das Gerät nicht für Zwecke benutzen, für die es nicht bestimmt ist.
- Gerät nicht als Heizung missbr-

auchen.

- Der Mikrowellenherd ist nur zum Auftauen, Garen und Schmoren von Lebensmitteln vorgesehen.
- Übergaren Sie Lebensmittel nicht; andernfalls können Sie Feuer fangen.
- Verwenden Sie keine Dampfreiniger zur Reinigung des Gerätes.

1.3 Sicherheit von Kindern

- Besondere Vorsicht gilt bei Verwendung in der Nähe von Kindern oder Personen, deren körperliche, sensorische oder geistige Fähigkeiten eingeschränkt sind.
- Dieses Gerät kann von Kindern ab 8 Jahren sowie von Personen mit eingeschränkten körperlichen, sensorischen oder geistigen Fähigkeiten oder einem Mangel an Wissen und Erfahrung verwendet werden, sofern sie im Hinblick auf eine sichere Benutzung des Gerätes beaufsichtigt werden oder entsprechend angeleitet wurden und die damit verbundenen Gefahren verstehen. Kinder dürfen nicht mit dem Gerät spielen. Reinigungs- und Wartungsarbeiten dürfen nicht von Kindern ausgeführt werden, sofern

1 Wichtige Hinweise zu Sicherheit und Umwelt

diese nicht durch einen Erwachsenen beaufsichtigt werden.

- Verschluckungsgefahr! Alle Verpackungsmaterialien von Kindern fernhalten.
- Sie dürfen Kindern die Benutzung des Mikrowellenherds nur erlauben, wenn sie angemessen im sicheren Gebrauch des Gerätes angeleitet wurden und die Gefahren einer unsachgemäßen Benutzung versteht.
- Aufgrund von übermäßiger Hitze in Grill- und Kombimodus sollten Sie Kindern die Nutzung dieser Modi nur unter Aufsicht eines Erwachsenen erlauben.
- Bewahren Sie Produkt und Netzkabel so auf, dass Kinder unter 8 Jahren nicht darauf zugreifen können.
- Das Gerät und seine zugänglichen Flächen können im Betrieb sehr heiß werden. Kinder fernhalten.

1.4 Konformität mit der WEEE-Richtlinie und Entsorgung von Altprodukten



Dieses Produkt enthält keine der in der vom Ministerium für Umwelt und Städteplanung ausgestellten „Regulierung zur Überwachung von

elektrischen und elektronischen Altgeräten“ angegebenen gefährlichen und verbotenen Materialien. Das Gerät erfüllt die Vorgaben der WEEE-Richtlinie. Dieses Produkt wurde aus hochwertigen Teilen und Materialien hergestellt, die wiederverwendet werden können und zum Recycling geeignet sind.

Deshalb darf das Gerät am Ende seiner Einsatzzeit nicht mit dem normalen Hausmüll entsorgt werden. Geben Sie das Gerät bei einer Sammelstelle ab, die für das Recycling von elektrischen und elektronischen Geräten zuständig ist. Erkundigen Sie sich bei der örtlichen Behörde in Ihrer Region nach diesen Sammelstellen. Durch das Recycling von Altgeräten tragen Sie zum Schutz der Umwelt und natürlichen Rohstoffe bei.

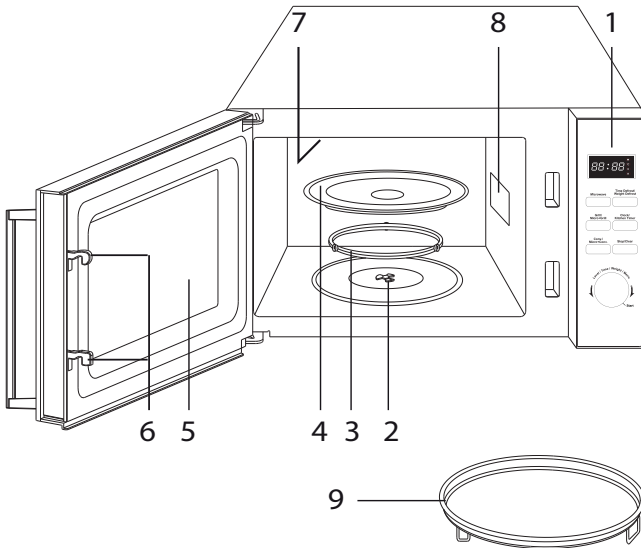
1.5 Informationen zur Verpackung



Die Verpackung des Produkts wurde gemäß unserer nationalen Gesetzgebung aus recyclingfähigen Materialien hergestellt. Entsorgen Sie die Verpackungsmaterialien nicht mit dem Hausmüll oder anderem Müll. Bringen Sie sie zu einer von der Stadtverwaltung bereitgestellten Sammelstelle für Verpackungsmaterial.

2 Ihr Mikrowellenofen

2.1 Übersicht



1. Bedienfeld
2. Drehtellerachse
3. Drehtellerhalterung
4. Glasterler
5. Fenster
6. Türsicherheitssystem
7. Grillheizelement
8. Mikrowellenleitblech (keinesfalls die Glimmerplatte entfernen, die das Leitblech bedeckt)
9. Backblech

Markierungen am Produkt oder in den mitgelieferten Dokumenten angegebene Werte stellen Werte dar, die unter Laborbedingungen nach jeweils geltenden Standards ermittelt wurden. Diese Werte können je nach Einsatz- und Umgebungsbedingungen variieren. Leistungswerte wurden bei 230 V geprüft.

2 Ihr Mikrowellenofen

2.2 Technische Daten

	MCF25210X	MCF28310X	MCF32410X
Spannung/Frequenz	230 - 240 V/50 Hz,		
Leistungsaufnahme - Mikrowelle	1400 W		1500 W
Leistungsabgabe - Mikrowelle	900 W		1000 W
Leistung - Grill	1200 W	1250 W	
Leistungsaufnahme (Umluft)	2250 W	2300 W	
Mikrowellenfrequenz	2450 MHz		
Drehtellerdurchmesser	270 mm	315 mm	
Außenabmessungen	562 × 560 × 362 mm	608 × 558 × 366 mm	608 × 604 × 366 mm
Garraumabmessungen	340(L)*333(D)*240(H) mm	353(L)*345(D)*245(H) mm	368(L)*384(D)*238(H) mm
Garraumvolumen	25 L	28 L	32 L
Nettogewicht	16.8 kg	19.8 kg	21.2 kg

3 Installation und Anschluss

3.1 Montage

1. Stellen Sie sicher, dass alle Verpackungsmaterialien von der Innenseite der Tür entfernt werden.



WARNUNG: Überprüfen Sie den Ofen auf Beschädigungen, wie z. B. falsch ausgerichtete oder verbogene Türen, beschädigte Türdichtungen und Dichtflächen, gebrochene oder lose Türscharniere und Riegel sowie Dellen im Ofenraum oder an der Tür. Nehmen Sie bei Beschädigungen den Ofen nicht in Betrieb, sondern wenden Sie sich an qualifiziertes Servicepersonal.

2. Dieser Mikrowellenofen muss auf eine ebene, stabile Oberfläche gestellt werden, die sein Gewicht einschließlich der schwersten Gerichte aushalten kann, die im Ofen zubereitet werden können.
3. Stellen Sie den Ofen nicht in der Nähe von Hitze, Feuchtigkeit oder hoher Luftfeuchtigkeit oder in der Nähe von brennbaren Materialien auf.
4. Zum korrekten Betrieb muss der Ofen über ausreichend Platz zur Belüftung rundherum verfügen. Lassen Sie dazu mindestens 20 cm Freiraum über dem Ofen und 5 cm an beiden Seiten frei. Die Rückwand des Mikrowellenofens muss in der Nähe der Wand platziert werden. Verdecken oder blockieren Sie keine Öffnungen am Gerät. Entfernen Sie nicht die Gerätefüße.
5. Betreiben Sie den Ofen nicht ohne Glasschale, Rollring und Mitnehmerzapfen in der richtigen Position.
6. Stellen Sie sicher, dass das Netzkabel unbeschädigt ist, nicht unter dem Ofen oder über eine heiße oder scharfkantige Oberfläche verläuft.

7. Die Steckdose muss gut zugänglich sein, damit der Stecker im Notfall leicht herausgezogen werden kann.
8. Verwenden Sie den Ofen nicht im Freien.

3.2 Funkstörungen

Mikrowellenöfen können im Betrieb Störungen bei Radios, Fernsehern und ähnlichen Geräten verursachen. Solche Störungen lassen sich durch folgende Maßnahmen reduzieren oder beseitigen:

1. Reinigen Sie Tür und Dichtfläche des Gerätes.
2. Richten Sie die Empfangsantenne von Radio oder Fernseher anders aus.
3. Stellen Sie den Mikrowellenofen an einer anderen Stelle auf.
4. Stellen Sie den Mikrowellenofen weiter weg vom Empfangsgerät auf.
5. Schließen Sie den Mikrowellenofen an eine andere Steckdose an, so dass Mikrowellenofen und Empfänger von unterschiedlichen Stromkreisen gespeist werden.

3.3 Erdung

Das Gerät muss geerdet sein. Der Ofen ist mit einem Kabel mit einem Erdungsleiter und einem Erdungsstecker ausgestattet. Es muss in eine ordnungsgemäß installierte und geerdete Steckdose eingesteckt werden. Im Falle eines elektrischen Kurzschlusses reduziert die Erdung das Risiko eines elektrischen Schlages, indem sie den elektrischen Strom zur Erde ableitet. Ein Mikrowellengerät sollte immer an einen eigenen Stromkreis angeschlossen werden. Die Verwendung hoher Spannungen ist gefährlich und kann zu Bränden oder anderen Unfällen sowie zu Beschädigungen des Ofens führen.



WARNUNG: Unsachgemäße Verwendung des Erdungssteckers kann zu Stromschlägen führen.

3 Installation und Anschluss



Falls Sie Fragen zu Erdung und Anschluss haben, wenden Sie sich bitte an einen qualifizierten Elektriker oder das Kundendienstpersonal.



Weder Hersteller noch Händler übernehmen Haftung für Schäden am Gerät oder für Personenschäden, die durch Nichtbeachtung der elektrischen Anschlussvorschriften entstehen.

Die Adern der Anschlussleitung haben folgende Standardfarben:

Grün-gelb = ERDUNG

Blau = NEUTRALLEITER

Braun = PHASE

3.4 Grundsätzliches zur Mikrowellenzubereitung

1. Ordnen Sie die Lebensmittel sorgfältig an. Platzieren Sie die dicksten Stellen im Außenbereich.
2. Beachten Sie die Garzeit. Stellen Sie immer nur die kürzeste empfohlene Zeit, verlängern Sie diese bei Bedarf. Stark überkochte Lebensmittel können Rauch entwickeln oder sich sogar entzünden.
3. Decken Sie die Lebensmittel beim Garen ab. Abdeckungen verhindern Spritzer und verhindern zu gleichmäßigerem Garen.
4. Drehen Sie die Lebensmittel während der Garzeit einmal um, um Lebensmittel wie Huhn und Hamburgerfleisch schneller zuzubereiten. Große Gerichte wie Braten müssen mindestens einmal umgedreht werden.
5. Wenden Sie dickere Lebensmittel wie Frikadellen nach der Hälfte der Garzeit, schichten Sie solche Lebensmittel zusätzlich um: Was zuvor in der Mitte des Tellers lag, kommt an den Rand und umgekehrt. So wird alles gleichmäßig gar.

3.5 Bevor Sie den Kundendienst anrufen

Sollte der Ofen nicht arbeiten:

1. Vergewissern Sie sich, dass der Ofen korrekt angeschlossen ist. Ist dies nicht der Fall, ziehen Sie den Stecker aus der Steckdose, warten 10 Sekunden und schließen ihn danach wieder an.
2. Prüfen Sie, ob eine Sicherung durchgebrannt oder ausgelöst ist. Wenn diese ordnungsgemäß zu funktionieren scheinen, testen Sie die Steckdose mit einem anderen Gerät.
3. Überprüfen Sie, ob das Bedienfeld richtig programmiert und der Timer eingestellt ist.
4. Stellen Sie sicher, dass die Tür fest geschlossen ist, indem Sie das Sicherheitsschloss der Tür einrasten lassen. Sonst fließt die Mikrowellenenergie nicht in den Ofen.

WENN KEINE DER OBEN GENANNTEN MASSNAHMEN ABHILFE SCHAFFT, WENDEN SIE SICH AN EINEN QUALIFIZIERTEN TECHNIKER. VERSUCHEN SIE NICHT, DEN OFEN SELBST EINZUSTELLEN ODER ZU REPARIEREN.

3.6 Bedienungsanleitung

1. Mikrowelle durchdringen kein Metall. Verwenden Sie nur Utensilien, die für den Einsatz in der Mikrowelle geeignet sind. Metallische Behälter für Lebensmittel und Getränke sind beim Mikrowellengaren nicht erlaubt. Diese Vorgabe entfällt, wenn der Hersteller Größe und Form spezieller Metallbehälter zur Zubereitung in der Mikrowelle angibt.
2. Da Mikrowellen kein Metall durchdringen, sollten keine Metallutensilien oder Schalen mit Metallbesatz verwendet werden.
3. Verwenden Sie beim Garen in der Mikrowelle keine Altpapierprodukte, da diese kleine Metallfragmente enthalten können, die Funken und/oder Brände verursachen können.

3 Installation und Anschluss

4. Runde oder ovale Behälter sind empfehlenswert, da Lebensmittel in Ecken zum Überhitzen neigen.

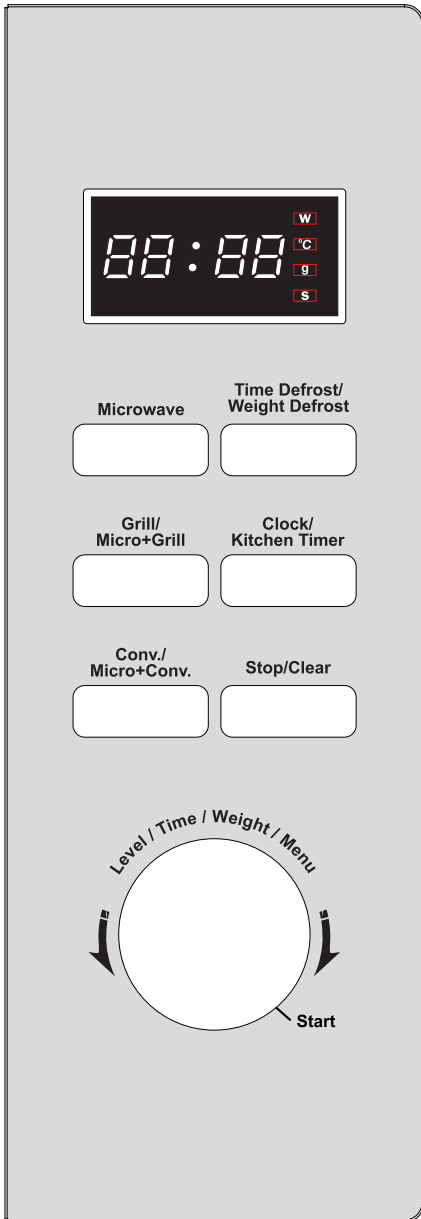
5. Schmale Streifen Aluminiumfolie können verwendet werden, um ein Überhitzen exponierter Stellen zu verhindern. Aber seien Sie vorsichtig, verwenden Sie nicht zu viel davon, halten Sie zusätzlich einen Abstand von 2,54 cm zwischen Folie und Ofenwand ein - sonst können leicht Funken entstehen.

Die folgende Liste ist ein allgemeiner Leitfaden, der Ihnen bei der Auswahl der richtigen Utensilien hilft.

Kochgeschirr	Mikrowelle	Grill	Umluft	Kombination*
Hitzebeständiges Glas	Ja	Ja	Ja	Ja
Nicht hitzebeständiges Glas	Nein	Nein	Nein	Nein
Hitzebeständige Keramik	Ja	Ja	Ja	Ja
Mikrowellengeeignete Plastikteller	Ja	Nein	Nein	Nein
Küchenpapier	Ja	Nein	Nein	Nein
Metallschale	Nein	Ja	Ja	Nein
Backblech	Nein	Ja	Ja	Nein
Alufolie und Alubehälter	Nein	Ja	Ja	Nein

* Kombination: sowohl für „Mikro + Grill“ als auch „Mikro + Umluft“ geeignet.

4.1 Bedienfeld



4.2 Bedien- und Anzeigefeld

- Garzeit, Leistung, Funktionsanzeigen und Uhrzeit werden angezeigt.

„Mikrowelle“

- Drücken Sie diese Taste, um ein Mikrowellen-garprogramm einzustellen.

„Uhr/Gartimer“

- Drücken, um die Uhrzeit einzustellen.
- Drücken, um die Gartimer-Funktion einzustellen.

Umluft/Mikro + Umluft

- Drücken, um das Konvektionsgaren zu programmieren.
- Drücken, um eine von vier Kombinationsgareinstellungen zu wählen.

„Grill/Mikro + Grill“

- Drücken, um das Grillprogramm einzustellen.
- Drücken, um eine von vier Kombinationsgareinstellungen zu wählen.

„Stopp/Löschen“

- Drücken, um die Einstellung abubrechen oder den Ofen zurückzusetzen, bevor Sie ein Garpogramm einstellen.
- Einmal drücken, um das Garen vorübergehend zu unterbrechen, oder zweimal drücken, um das Garen ganz abubrechen.

„Stufe/Zeit/Gewicht/Menü“ (Knopf)

- Den Knopf drehen, um die Garzeit einzustellen.
- Den Knopf drehen, um ein Menü zum automatischen Garen auszuwählen.
- Den Knopf drehen, um die Leistung der Mikrowelle zu wählen.
- Den Knopf drehen, um die Umluftgartemperatur einzustellen.

„Start“ (Knopf)

- Einmal drücken, um ein Garprogramm zu starten.

4 Bedienung

- Einfach mehrmals drücken, um die Garzeit einzustellen und sofort mit voller Leistung zu garen.

Auftauzeit/Auftaugewicht

- Einmal drücken, um das Auftauprogramm nach Zeit einzustellen.
- Zweimal drücken, um das Auftauprogramm nach Gewicht einzustellen.

4.3 Ofensteuerung

- Wenn der Ofen zum ersten Mal angeschlossen wird, ertönt ein Signalton, im Display erscheint „1:01“.
- Wenn Sie während des Garens einmal die Taste „Stopp/Löschen“ drücken, wird das Programm angehalten. Drücken Sie die Taste erneut, um es fortzusetzen.
- Nach Beendigung des Garens ertönt alle zwei Minuten ein Signalton, bis die Taste „Stopp/Löschen“ gedrückt oder die Tür geöffnet wird.
- Die elektronische Steuerung des Mikrowellenofen bietet auch eine Kühlfunktion. Wenn bei einem Garmodus mit mehr als 2 Minuten Garzeit die Ofentür geöffnet oder das Garprogramm angehalten wird, arbeitet der Ofenlüfter automatisch ca. 3 Minuten weiter, um den Ofen zu kühlen und seine Lebensdauer zu verlängern.

4.4 Uhrzeit einstellen

Die Uhr kann im 12- oder 24-Stundenmodus arbeiten. Die Auswahl treffen Sie durch Drücken auf die Uhr-/Gartimer-Schaltfläche.

BEISPIEL: Angenommen, Sie möchten die Uhrzeit auf 8:30 Uhr einstellen.

1. Halten Sie die Taste „Uhrzeit/Gartimer“ 3 Sekunden lang gedrückt, um den 12-Stunden-Modus auszuwählen (wenn Sie die 24-Stunden-Anzeige wünschen, drücken Sie die Taste erneut).

2. Drehen Sie das Einstellrad „Stufe/Zeit/Gewicht/Menü“, um die Stundenziffer 8 einzustellen.

3. Drücken Sie einmal die Taste „Uhr/Gartimer“, um die Stundeneinstellung zu bestätigen.

4. Drehen Sie den Stufen-, Zeit-, Gewichts- und Menüknopf, um die Minutenzahl 30 einzustellen.

5. Drücken Sie einmal die Taste „Uhr/Gartimer“, um die Einstellung zu bestätigen.



Zum Anzeigen der Uhrzeit während des Betriebes drücken Sie die Taste „Uhr/Gartimer“. Die aktuelle Uhrzeit erscheint dann für eine Weile im Display.

4.5 Schnellstart

Der Ofen gart die Speisen schnell mit hoher Leistung (100 % Leistung) für einen schnellen Start des Garprogramms.

Durch mehrmaliges Drücken des Knopfes „Start“ wird die Garzeit eingestellt, der Ofen startet automatisch mit voller Leistung. Die maximale so einstellbare Garzeit beträgt 10 Minuten.

4.6 Mikrowellenzubereitung

Bei „Mikrowelle“ können Kochleistung und Garzeit eingestellt werden. Die maximal mögliche Garzeit beträgt 95 Minuten.

Nehmen wir zum Beispiel an, Sie möchten 10 Minuten lang mit 450 W „Mikrowellenleistung“ garen.

1. Drücken Sie einmal die Taste „Mikrowelle“, drehen Sie dann das Einstellrad „Stufe/Zeit/Gewicht/Menü“, um die Kochleistung zu wählen.

2. Bestätigen Sie mit „Start“.

3. Drehen Sie das Einstellrad „Stufe/Zeit/Gewicht/Menü“, um die Garzeit einzustellen.

4. Drücken Sie auf „Start“.



Das Gerät bietet 11 Kochleistungsstufen (P100, P-90, P-80, P-70, P-60, P-50, P-40, P-30, P-20, P-10, P-00), die Sie durch Drehen des Einstellrades „Stufe/Zeit/Gewicht/Menü“ auswählen können.

Während des Garens können Sie die Leistung durch Berühren der „Mikrowelle“-Schaltfläche überprüfen.

4.7 Auftauen nach Gewicht

Der Ofen ermöglicht das Auftauen von Lebensmitteln auf der Grundlage des vom Anwender eingegebenen Gewichtes. Auftauzeit und Leistungsstufe werden automatisch eingestellt, sobald die Lebensmittelkategorie und das Gewicht programmiert sind. Das Auftaugewicht reicht von 100 g bis 1800 g.

1. Drücken Sie im Wartemodus zweimal die Schaltfläche Auftauzeit/Auftaugewicht.
2. Drehen Sie das Einstellrad „Stufe/Zeit/Gewicht/Menü“, um das Gewicht der aufzutauenden Lebensmittel auszuwählen.
3. Bestätigen Sie mit „Start“.



Der Ofen stoppt während des Auftauens, damit Sie die Speisen für ein gleichmäßiges Auftauen umdrehen können. Drücken Sie dann auf „Start“, um sie für die restliche Zeit abzutauen.

Der Ofen gart nicht gut, wenn Sie mehr als das empfohlene Höchstgewicht eingeben.

4.8 Auftauen nach Zeit

Der Ofen ermöglicht das Auftauen von Lebensmitteln auf der Grundlage der vom Anwender eingegebenen Zeit.

1. Drücken Sie im Wartemodus einmal die Schaltfläche „Auftauzeit/Auftaugewicht“.

2. Drehen Sie das Einstellrad „Stufe/Zeit/Gewicht/Menü“, um die Auftauzeit auszuwählen.
3. Bestätigen Sie mit „Start“.



Der Ofen stoppt während des Auftauens, damit Sie die Speisen für ein gleichmäßiges Auftauen umdrehen können. Drücken Sie dann auf „Start“, um sie für die restliche Zeit abzutauen.

4.9 Grill

Der Ofen ermöglicht das Grillen von Lebensmitteln auf der Grundlage der vom Anwender eingegebenen Zeit. Die maximal mögliche Garzeit beträgt 95 Minuten.

1. Drücken Sie einmal die Taste „Grill/Mikro + Grill“.
2. Bestätigen Sie mit „Start“.
3. Drehen Sie das Einstellrad „Stufe/Zeit/Gewicht/Menü“, um die Garzeit auszuwählen.
4. Drücken Sie auf „Start“.

4.10 Mikro + Grill

Die maximal mögliche Garzeit beträgt 95 Minuten. Mit dieser Funktion können Sie Grill und „Mikrowelle“ in zwei verschiedenen Einstellungen kombinieren.

4.10.1 Kombination 1

30 % der Zeit zum „Mikrowellengaren“, 70 % zum Grillen. Gut für Fisch, Kartoffeln oder Gratin.

Angenommen, Sie möchten die Kombination 1 für 25 Minuten einstellen.

1. Drücken Sie zweimal die Taste „Grill/Mikro + Grill“, drehen Sie dann das Einstellrad „Stufe/Zeit/Gewicht/Menü“, bis im Display „Gr2“ erscheint.
2. Bestätigen Sie mit „Start“.
3. Drehen Sie das Einstellrad „Stufe/Zeit/Gewicht/Menü“, um die Garzeit auszuwählen.
4. Drücken Sie die Taste „Start“.

4.10.2 Kombination 2

55 % der Zeit zum „Mikrowellengaren“, 45 % zum Grillen. Für Pudding, Omeletts, Bratkartoffeln und Geflügel.

Angenommen, Sie möchten die Kombination 2 für 12 Minuten einstellen.

1. Drücken Sie zweimal die Taste „Grill/Mikro + Grill“, drehen Sie dann das Einstellrad „Stufe/Zeit/Gewicht/Menü“, bis im Display „Gr3“ erscheint.
2. Bestätigen Sie mit „Start“.
3. Drehen Sie das Einstellrad „Stufe/Zeit/Gewicht/Menü“, um die Garzeit auszuwählen.
4. Drücken Sie die Taste „Start“.

4.11 Umluft

Während des Umluft- oder Konvektionsgarens wird heiße Luft durch den gesamten Ofenraum geleitet, um die Speisen schnell und gleichmäßig zu bräunen und knusprig zu machen. Dieser Ofen kann auf zehn verschiedene Gartemperaturen programmiert werden. Die maximale Garzeit, die der Anwender einstellen kann, beträgt 95 Minuten.

Garen mit Umluft

Um mit Umluft zu garen, drücken Sie einmal die Taste „Umluft/Mikro + Umluft“, drehen Sie dann das Einstellrad „Stufe/Zeit/Gewicht/Menü“ im Uhrzeigersinn, um die gewünschte Konvektionstemperatur (110 °C, 120 °C, 130 °C, 140 °C, 150 °C, 160 °C, 170 °C, 180 °C, 190 °C oder 200 °C) einzustellen.

Angenommen, Sie möchten bei 180 °C für 40 Minuten garen.

1. Geben Sie im Wartemodus die Speisen in den Ofen, schließen Sie ihn.
2. Drücken Sie einmal die Taste „Umluft/Mikro + Umluft“. Drehen Sie dann das Einstellrad „Stufe/Zeit/Gewicht/Menü“ im Uhrzeigersinn, wählen Sie die Konvektionstemperatur 180 °C aus.

3. Bestätigen Sie mit „Start“.

4. Stellen Sie mit dem Drehknopf „Stufe/Zeit/Gewicht/Menü“ die Garzeit ein (Die längste Zeit ist 95 Minuten).

5. Drücken Sie die Taste „Start“.



Sie können die Konvektionstemperatur während des Garens überprüfen, indem Sie die Taste „Umluft/Mikro + Umluft“ betätigen.

Vorwärmen und Garen mit Umluft

Ihr Ofen kann so programmiert werden, dass er den Vorwärmen und Umluftgaren kombiniert.

Angenommen, Sie möchten auf 170 °C vorheizen, dann 35 Minuten garen.

1. Geben Sie im Wartemodus die Speisen in den Ofen, schließen Sie ihn.
2. Drücken Sie einmal die Taste „Umluft/Mikro + Umluft“. Drehen Sie dann das Einstellrad „Stufe/Zeit/Gewicht/Menü“ im Uhrzeigersinn, wählen Sie die Konvektionstemperatur 170 °C aus.
3. Mit „Start“ bestätigen und erneut „Start“ drücken.
4. Wenn der Ofen die gewünschte Temperatur erreicht hat, ertönt alle 5 Sekunden ein Signalton, um den Anwender daran zu erinnern.
5. Öffnen Sie die Tür, stellen Sie den Behälter mit den Speisen in die Mitte des Drehtellers.
6. Drehen Sie das Einstellrad „Stufe/Zeit/Gewicht/Menü“, um die Garzeit einzustellen.
7. Drücken Sie die Taste „Start“.



Die längste Vorheizzeit beträgt 30 Minuten, die Vorheizzeit kann nicht eingestellt werden. Wenn die Vorheiztemperatur erreicht ist, ertönt alle 5 Sekunden ein Signalton. Wenn dann innerhalb von 30 Minuten keine Bedienung erfolgt, wird das Programm automatisch beendet.

4.12 Mikro + Umluft

Der Ofen bietet vier vorprogrammierte Einstellungen, die es einfach machen, mit Konvektionswärme und „Mikrowelle“ gemeinsam zu garen. Die maximale Garzeit, die der Anwender einstellen kann, beträgt 95 Minuten.

Drücken Sie die Taste „Umluft/Mikro + Umluft“ zweimal. Drehen Sie dann das Einstellrad „Stufe/Zeit/Gewicht/Menü“, wählen Sie die Konvektionstemperatur (200C→170C→140C→110C) aus.

1. Geben Sie im Wartemodus die Speisen in den Ofen, schließen Sie ihn.
2. Drücken Sie die Taste „Umluft/Mikro + Umluft“ zweimal.
3. Drehen Sie das Einstellrad „Stufe/Zeit/Gewicht/Menü“, wählen Sie die Konvektionstemperatur aus.
4. Bestätigen Sie mit „Start“.
5. Drehen Sie das Einstellrad „Stufe/Zeit/Gewicht/Menü“, um die Garzeit einzustellen.
6. Drücken Sie die Taste „Start“.



Sie können die Umlufttemperatur während des Garens überprüfen, indem Sie die Taste „Umluft/Mikro + Umluft“ betätigen.

4.13 Ofentimer einstellen

Sie können den Ofentimer so einstellen, dass er Sie an die Garzeit erinnert. Die längste Zeit, die Sie einstellen können, ist 95 Minuten.

Angenommen, Sie möchten den Ofentimer auf 30 Minuten einstellen:

1. Drücken Sie einmal die Taste „Uhr/Gartimer“.
2. Drehen Sie das Einstellrad „Stufe/Zeit/Gewicht/Menü“ auf 30:00.
3. Bestätigen Sie mit „Start“.



Wenn der Timer zählt, können Sie „Uhr/Gartimer“ drücken, um die Timerzeit für 5 Sekunden anzuzeigen. Wenn Sie „Stopp/Löschen“ innerhalb dieser 5 Sekunden erneut drücken, verschwinden die Zeitangaben wieder.

4.14 Kindersicherung

Zum Schutz vor unbeaufsichtigtem Betrieb des Ofens durch kleine Kinder. Die Anzeige „Kindersicherung“ erscheint im Display, der Ofen kann nicht bedient werden, während die Kindersicherung aktiviert ist.

Kindersicherung einschalten: Wird der Ofen im Bereitschaftsmodus innerhalb einer Minute nicht bedient, geht er automatisch in den Kindersicherungsmodus, alle Tasten werden inaktiv.

Kindersicherung abschalten: Im Kindersicherungsmodus kann durch Öffnen oder Schließen der Ofentür das Programm abgebrochen werden.

4.15 Schutzfunktionen

4.15.1 Überhitzungsschutz

Wenn das System in den Super-Hochtemperaturschutzstatus übergeht, zeigt die Digitalanzeige „E01“ an, ein Warnton ist zu hören. Wenn Sie danach die Taste „Stopp/Löschen“ drücken, kehrt das System in den normalen Bereitschaftsmodus zurück.

4.15.2 Tieftemperaturschutz

Wenn das System in den Super-Tieftemperaturschutzstatus übergeht, zeigt die Digitalanzeige „E02“ an, ein Warnton ist zu hören. Wenn Sie danach die Taste „Stopp/Löschen“ drücken, kehrt das System in den normalen Bereitschaftsmodus zurück.

4.15.3 Sensorfehlfunktionsschutz

Das System schaltet in den Schutzmodus, wenn der Systemsensor kurzgeschlossen wird. In der Anzeige erscheint „E03“, ein Signalton erklingt, bis Sie „Stop/Löschen“ drücken, woraufhin das System in den normalen Bereitschaftsmodus zurückkehrt.

4.16 Automatisch garen

Bei folgenden Gerichten und Zubereitungen müssen Sie keine Garleistung und -zeit eingeben. Sie brauchen den Ofen dann nur zu informieren, was Sie garen möchten und wie viel die Speisen wiegen. Nach dem Drücken der Taste „Start“ beginnt der Ofen zu arbeiten.

Zum Beispiel:

1. Drehen Sie im Wartemodus das Einstellrad „Stufe/Zeit/Gewicht/Menü“ gegen den Uhrzeigersinn, um den gewünschten Lebensmittelcode auszuwählen.
2. Drücken Sie einmal „Start“.
3. Drehen Sie das Einstellrad „Stufe/Zeit/Gewicht/Menü“, um das Gewicht auszuwählen.
4. Drücken Sie die Taste „Start“.

4 Bedienung

Automatikgaren-Menü

Code	Lebensmittel	
A-1	Milch/Kaffee (200 ml/ Tasse)	HINWEISE: <ol style="list-style-type: none">1. Bei Milch/Kaffee und Kartoffeln wird im Display die Anzahl der Portionen anstelle des Lebensmittelgewichtes angezeigt.2. Bei Auswahl A-7 stoppt der Ofen während des Auftauens, damit Sie die Speisen zum gleichmäßigen Auftauen umdrehen können. Drücken Sie dann auf „Start“, um sie für die restliche Zeit aufzutauen.3. Das Resultat des automatischen Garens hängt von Faktoren wie Spannungsschwankungen, Form und Größe der Lebensmittel, Ihrer persönlichen Vorliebe zum Gargrad sowie auch davon ab, wie geschickt Sie die Speisen im Ofen platzieren. Wenn Sie mit dem Ergebnis nicht zufrieden sind, passen Sie einfach die Garzeit entsprechend an.
A-2	Popcorn (99 g)	
A-3	Spaghetti (g)	
A-4	Kartoffeln (230 g/Gericht)	
A-5	Automatisch aufwärmen (g)	
A-6	Fisch (g)	
A-7	Huhn (g)	
A-8	Pizza (g)	
A-9	Kuchen (475 g)	

5.1 Reinigung und Pflege

1. Schalten Sie den Ofen aus, ziehen Sie vor der Reinigung den Netzstecker aus der Steckdose.
2. Halten Sie die Innenseite des Gerätes immer sauber. Wischen Sie Speisespritzer oder verschüttete Flüssigkeiten an den Ofenwänden mit einem feuchten Tuch ab. Bei stark verschmutztem Gerät können Sie ein sanftes Reinigungsmittel verwenden. Vermeiden Sie die Verwendung von Sprays und anderen scharfen Reinigungsmitteln, da diese die Türoberfläche verschmutzen, verkratzen oder stumpf machen können.
3. Die Außenflächen sollten mit einem feuchten Tuch gereinigt werden. Um Schäden im Inneren des Ofens zu vermeiden, darf kein Wasser in die Lüftungsöffnungen eindringen.
4. Wischen Sie die beiden Seiten der Tür und des Fensters, die Türdichtungen und die angrenzenden Teile häufig mit einem feuchten Tuch ab, um Verschüttungen oder Spritzer zu entfernen. Benutzen Sie dazu keine Scheuermittel.
5. Ein Dampfreiniger darf nicht verwendet werden.
6. Lassen Sie das Bedienfeld nicht nass werden. Reinigen Sie es mit einem weichen, angefeuchteten Tuch. Halten Sie beim Reinigen des Bedienfeldes die Ofentür offen, damit der Ofen nicht versehentlich eingeschaltet wird.
7. Falls sich Dampf in und um die Gerätetür ansammelt, wischen Sie diesen mit einem weichen Tuch ab. Dies kann geschehen, wenn der Mikrowellenofen bei hoher Luftfeuchtigkeit verwendet wird. Dies ist normal.
8. Gelegentlich ist es notwendig, die Glasschale zur Reinigung zu entfernen. Spülen Sie die Glasschale in warmem Spülwasser oder in der Spülmaschine.
9. Rollring und Geräteboden sollten zur Vermeidung übermäßiger Geräuscentwicklung regelmäßig gereinigt werden. Wischen Sie einfach den Boden des Ofenraums mit einem sanften Reinigungsmittel ab. Der Rollring kann in sanftem Spülwasser oder in der Spülmaschine gespült werden. Achten Sie nach dem Reinigen des Rollrings darauf, ihn wieder richtig einzusetzen.
10. Gerüche können Sie aus Ihrem Ofen entfernen, indem Sie eine Tasse Wasser mit Saft und Schale einer Zitrone in einer tiefen mikrowelleneigneten Schüssel 5 Minuten lang erhitzen. Gründlich abwischen und mit einem weichen Tuch abtrocknen.
11. Wenn es notwendig wird, das Ofenlicht auszutauschen, wenden Sie sich bitte an Ihren Händler.
12. Das Gerät sollte regelmäßig gereinigt und von jeglichen Lebensmittelresten befreit werden. Falls der Ofen nicht sauber gehalten wird, kann es zu Veränderungen der Oberflächen kommen, die sich negativ auf die Lebensdauer des Gerätes auswirken und im schlimmsten Fall zu gefährlichen Situationen führen können.
13. Bitte entsorgen Sie das Gerät nicht mit dem Hausmüll, sondern geben es bei einer kommunalen Entsorgungsstelle ab.
14. Wenn der Mikrowellenofen mit Grillfunktion zum ersten Mal benutzt wird, kann es zu leichtem Rauch und Geruch kommen. Dies ist ganz normal, da die Stahlbleche des Ofens mit etwas Öl beschichtet sind, das sich beim ersten starken Erhitzen verflüchtigt, dabei Dämpfe und Gerüche erzeugt. Dieses Phänomen verschwindet nach kurzer Betriebszeit.

5 Reinigen und pflegen

5.2 Lagerung

- Lagern Sie das Gerät sorgfältig, wenn Sie es längere Zeit nicht nutzen sollten.
- Sorgen Sie dafür, dass das Gerät vom Stromnetz getrennt, gänzlich abgekühlt und trocken ist.
- Lagern Sie das Gerät an einem kühlen, trockenen Ort.
- Halten Sie das Gerät von Kindern fern.

5.3 Handhabung und Transport

- Transportieren Sie das Gerät in seiner Originalverpackung. Die Verpackung schützt das Gerät vor Beschädigungen.
- Legen Sie keine schweren Gegenstände auf dem Gerät oder der Verpackung ab. Andernfalls kann das Gerät beschädigt werden.
- Falls das Gerät herunterfällt, ist es möglicherweise nicht mehr funktionsfähig oder weist dauerhafte Schäden auf.

6 Fehlerbehebung

Normal	
Mikrowellenherd verursacht Störungen des Fernsehempfangs	Der Radio- und Fernsehempfang kann durch den Betrieb des Mikrowellenherdes gestört werden. Dies ähnelt den Störungen, die durch kleine Elektrogeräte, wie Mixer, Staubsauger und Ventilatoren, verursacht werden. Dies ist normal.
Die Beleuchtung verdunkelt sich	Arbeitet der Mikrowellenherd mit geringer Leistung, kann sich die Beleuchtung verdunkeln. Dies ist normal.
Dampf sammelt sich an der Tür, heiße Luft kommt aus den Belüftungsöffnungen.	Während des Garens kann Dampf von den Lebensmitteln aufsteigen. Ein Großteil dieses Dampfes tritt aus den Belüftungsöffnungen aus. Etwas Dampf kann sich jedoch auch an einer kühlen Stelle, wie z. B. der Tür, ansammeln. Dies ist normal.
Gerät versehentlich im Leerzustand gestartet.	Das Gerät darf nicht im Leerzustand (ohne Lebensmittel) betrieben werden. Das ist sehr gefährlich.

Problem	Mögliche Ursache	Lösung
Das Gerät kann nicht gestartet werden.	1) Das Netzkabel ist nicht richtig angeschlossen.	Netzstecker ziehen. Nach 10 Sekunden wieder anschließen.
	2) Sicherung ist durchgebrannt oder Schutzschalter hat ausgelöst.	Sicherung ersetzen oder Schutzschalter rücksetzen (durch professionelles Personal unseres Unternehmens ersetzen lassen).
	3) Problem mit der Steckdose.	Steckdose mit anderen Elektrogeräten testen.
Das Gerät erhitzt sich nicht.	4) Die Tür ist nicht richtig geschlossen.	Tür richtig schließen.
Glasdrehsteller macht Geräusche, wenn der Mikrowellenherd in Betrieb ist	5) Drehsteller und Boden des Gerätes sind verschmutzt.	Verschmutzte Teile entsprechend dem Abschnitt „Reinigung und Pflege“ reinigen.

Vertriebsniederlassung Österreich für Beko Kleingeräte:

Elektra Bregenz AG
Pfarrgasse 77
A-1230, Wien

<http://at.beko.com/>



Sehr geehrter Kunde!

Vielen Dank, dass Sie sich für ein Qualitätsprodukt von Beko entschieden haben!

Unsere Geräte werden nach den neuesten technischen Erkenntnissen entwickelt, produziert und geprüft.

Sollte trotzdem eine Störung auftreten, so bitten wir Sie, sich mit Ihrem **Fachhändler** bzw. mit der Verkaufsstelle in Verbindung zu setzen.

Gewährleistungsansprüche können **nicht direkt bei Beko** geltend gemacht werden! Behalten Sie deshalb immer Ihre Verkaufsquittung als Beleg.

Wir danken Ihnen, für Ihr Vertrauen und wünschen Ihnen viel Freude mit Ihrem neuen Produkt!




Avant d'utiliser l'appareil, veuillez lire ce manuel !

Chère cliente, cher client,

Merci d'avoir choisi les produits Beko. Nous espérons que ce produit, fabriqué dans des installations modernes et soumis à un processus de contrôle qualité rigoureux, vous offre les meilleures performances possibles. C'est pourquoi nous vous recommandons, avant d'utiliser ce produit, de lire attentivement ce manuel et tous les autres documents fournis et de les conserver soigneusement pour toute consultation future. Si vous confiez le produit à quelqu'un d'autre, n'oubliez pas de lui remettre également le manuel d'utilisation. Veuillez à bien respecter les consignes et les instructions figurant dans le manuel d'utilisation.

Signification des symboles

Les symboles suivants sont utilisés tout au long de ce manuel :

	Informations importantes et conseils utiles sur l'utilisation de l'appareil.
	Avertissement sur les situations dangereuses concernant la sécurité des biens et des personnes.
	Avertissement en cas de contact avec une surface brûlante.



Ce produit a été fabriqué dans une usine moderne respectueuse de l'environnement.

Cet appareil est conforme à la directive
DEEE



Ne contient pas de PCB.

Cette section contient les consignes de sécurité qui aident à se prémunir contre les risques d'incendie, d'électrocution, d'exposition aux fuites d'énergie à micro-ondes, de dommages corporels ou de dégâts matériels. Le non-respect de ces consignes annule la garantie.

1.1 Consignes générales de sécurité

- N'essayez pas de mettre le four en marche lorsque la porte est ouverte ; vous seriez exposés à l'énergie des micro-ondes. Évitez de désactiver ou de tripatouiller le verrouillage de sécurité.
- Ne jouez avec aucun des objets entre la face avant et la porte du four. Ne permettez pas l'accumulation de la poussière ou des résidus d'agent nettoyant sur les surfaces de fermeture.
- Toutes les opérations de maintenance impliquant le retrait du couvercle de protection contre l'exposition à l'énergie des micro-ondes doivent être réalisés par des personnes ou des services après-vente agréés.
- Votre appareil est conçu pour la cuisson, le chauffage et la décongélation des aliments à domicile. Il ne doit pas être utilisé à des fins commerciales. Le fabricant ne saurait être tenu responsable des dommages découlant d'une utilisation inappropriée.
- N'utilisez pas l'appareil à l'extérieur, dans une salle de bain, dans des environnements humides ou dans des endroits où il peut se mouiller.
- Tout dommage résultant d'une utilisation inappropriée de l'appareil annule la responsabilité du fabricant ou toute réclamation au titre de la garantie.
- N'essayez jamais de démonter l'appareil. Aucune réclamation au titre de la garantie ne sera acceptée pour les dégâts résultant d'une manipulation incorrecte.
- Utilisez uniquement des pièces d'origine ou pièces recommandées par le fabricant.
- Ne laissez pas l'appareil sans surveillance lorsque vous l'utilisez.
- Utilisez toujours l'appareil sur une surface stable, plate, propre, sèche et non glissante.

- Cet appareil ne doit pas être utilisé avec une minuterie extérieure ou un système de télécommande séparé.
- Avant d'utiliser l'appareil pour la première fois, nettoyez-en toutes les pièces. Reportez-vous aux renseignements fournis dans la rubrique « Nettoyage et entretien ».
- Utilisez l'appareil uniquement aux fins pour lesquelles il a été conçu, conformément aux instructions du présent manuel. N'utilisez pas de produits chimiques abrasifs ou de la vapeur sur l'appareil. Ce four a été particulièrement conçu pour chauffer et cuire les aliments. Il n'est pas destiné à un usage industriel ou en laboratoire.
- N'utilisez pas l'appareil pour sécher les vêtements ou les torchons.
- L'appareil devient très chaud lorsqu'il est utilisé. Évitez de toucher les pièces chaudes à l'intérieur du four.
- Votre four n'est pas destiné au séchage d'un quelconque être vivant.
- Ne mettez pas l'appareil en marche lorsqu'il est vide.
- Les récipients de cuisson peuvent devenir très chauds en raison du transfert de chaleur des aliments chauffés au récipient. Vous aurez besoin des gants de cuisine pour tenir les récipients.
- Vérifiez que les récipients sont appropriés pour une utilisation dans des fours à micro-ondes.
- Ne placez pas le four au-dessus des cuisinières ou de tout autre appareil produisant de la chaleur. Sinon, il pourrait être endommagé et la garantie annulée.
- Ne placez pas le four à micro-ondes dans une armoire non conforme aux instructions d'installation.
- De la vapeur pourrait s'échapper lorsque vous ouvrez les couvercles ou le papier après la cuisson des aliments.
- Portez des gants de cuisine lorsque vous devez sortir des mets chauds du four.
- L'appareil et ses surfaces accessibles peuvent devenir très chauds lorsque l'appareil est en cours d'utilisation.
- La porte et la vitre externe peuvent devenir très chaudes lorsque l'appareil est en cours d'utilisation.

1.2 Sécurité électrique

- Les fours à micro-ondes Beko sont conformes aux normes de sécurité applicables. Par conséquent, en cas de dommage sur l'appareil ou son câble d'alimentation, faites-le réparer ou remplacer par le revendeur, le centre de services, un spécialiste ou des services habilités afin de prévenir tout danger. Des réparations défectueuses et non professionnelles peuvent être sources de danger et de risque pour l'utilisateur.
- Assurez-vous que votre source d'alimentation électrique est conforme aux informations spécifiées sur la plaque signalétique de votre appareil.
Le seul moyen de déconnecter l'appareil de l'alimentation électrique consiste à le débrancher de la prise électrique.
- Utilisez l'appareil uniquement avec une prise de terre.
- N'utilisez jamais l'appareil si le câble d'alimentation ou l'appareil lui-même est endommagé.
- N'utilisez pas de cordon prolongateur avec l'appareil.
- Ne touchez jamais l'appareil ou sa prise avec les mains humides ou mouillées.
- Placez l'appareil de manière à ce que la prise soit toujours accessible.
- Pour éviter d'endommager le câble d'alimentation, évitez de l'aplatir, de le plier ou même de le frotter contre des bords coupants. Éloignez le câble d'alimentation de toute surface brûlante et des flammes.
- Assurez-vous qu'il n'y ait aucun risque de traction accidentelle sur le câble d'alimentation et que personne ne risque de trébucher sur le câble, lorsque l'appareil est en marche.
- Débranchez l'appareil avant chaque nettoyage et lorsque l'appareil n'est pas en cours d'utilisation.
- Ne tirez pas sur le câble d'alimentation de l'appareil pour le débrancher de l'alimentation et n'enroulez jamais le câble d'alimentation tout autour de l'appareil.

- N'immergez pas l'appareil, le câble d'alimentation ou la prise d'alimentation électrique dans de l'eau ou tout autre liquide. Ne maintenez pas l'appareil sous l'eau courante.
- Lorsque vous chauffez les aliments dans des récipients en plastique ou en papier, vérifiez en permanence le four en raison de la possibilité d'inflammation.
- Retirez les fils et poignées métalliques des sacs en papier ou en plastique avant de placer les sacs appropriés pour une utilisation du four à micro-ondes vers le four.
- Mettez l'appareil hors tension ou débranchez-le et gardez la porte fermée pour éviter toute inflammation si vous observez de la fumée.
- Ne conservez rien à l'intérieur du four. Ne laissez pas les papiers, le matériel de cuisine ou les aliments à l'intérieur du four lorsqu'il n'est pas utilisé.
- Remuez et agitez le contenu des biberons et des pots de nourriture pour bébés et vérifiez la température avant la consommation pour éviter des brûlures.
- Cet appareil est un équipement ISM Groupe 2 de Classe B. Le Groupe 2 comprend tous les équipements ISM (Industriel, Scientifique et Médical) dans lesquels l'énergie à radio-fréquences est intentionnellement générée et/ou utilisée sous forme de radiation électromagnétique pour le traitement des matériaux et les équipements d'électroérosion.
- Les équipements de Classe B conviennent aux installations domestiques et aux installations directement raccordées au réseau d'alimentation électrique à basse tension.
- La porte ou la surface externe de l'appareil peuvent devenir très chaudes lorsque l'appareil est utilisé.

1.3 Sécurité du produit

- Évitez de chauffer les liquides et autres aliments dans des récipients fermés, car cela présente des risques d'explosion.
- Le chauffage des boissons au micro-ondes peut entraîner des éclaboussures lorsqu'elles sont sorties du four ; soyez donc prudent lorsque vous tenez les récipients.

- Ne faites pas de rôtisserie dans le four. De l'huile chaude pourrait endommager les composants et matériaux du four, et même entraîner des brûlures de la peau.
- Percez les aliments à croute épaisse tels que les pommes de terre, les courgettes, les pommes et les châtaignes.
- Placez l'appareil de sorte que le côté arrière soit face au mur.
- Si la porte ou les joints de porte sont endommagés, n'utilisez pas le four jusqu'à ce qu'il ait été réparé par un technicien spécialisé.
- Avant de déplacer l'appareil, sécurisez le plateau tournant pour ne pas l'endommager.
- N'utilisez pas le four à micro-ondes pour la préparation ou le chauffage des œufs non brouillés, avec ou sans coquille.
- Ne retirez jamais les pièces à l'arrière et sur les côtés de l'appareil, qui garantissent les distances minimales entre les parois de l'armoire et l'appareil, de sorte à permettre la circulation appropriée de l'air.

1.4 Utilisation prévue

- Cet appareil a été conçu uniquement pour une utilisation encastree.
- N'utilisez pas l'appareil pour un autre usage que celui pour lequel il a été prévu.
- N'utilisez pas l'appareil comme source de chaleur.
- Le four à micro-ondes est destiné uniquement à la décongélation, à la cuisson et à la préparation des aliments.
- Évitez la cuisson excessive des aliments ; cela peut entraîner un incendie.
- N'utilisez pas de nettoyeurs à vapeur pour le nettoyage de l'appareil.
- Cet appareil peut être utilisé par les enfants âgés de 8 ans ou plus et par les personnes à capacités physiques, sensorielles ou mentales réduites ou qui n'ont pas les connaissances et l'expérience, tant qu'ils sont surveillés dans l'utilisation sécuritaire du produit ou s'ils sont instruits en conséquence ou comprennent les risques de l'utilisation du produit. Les enfants ne doivent pas jouer avec l'appareil.

Les procédures de nettoyage et d'entretien par l'utilisateur ne doivent pas être exécutées par les enfants à moins qu'ils soient surveillés par les adultes.

- Danger d'étranglement ! Ne laissez pas les éléments d'emballage à proximité des enfants.
- Ne permettez aux enfants d'utiliser l'appareil sans supervision sauf s'ils ont reçu des instructions appropriées leur permettant d'utiliser le four à micro-ondes de manière sécurisée et de comprendre les risques liés à une utilisation inappropriée.
- En raison des excès de chaleur en mode gril et mixte, les enfants ne doivent être autorisés à utiliser ces modes que s'ils sont supervisés par un adulte.
- Gardez l'appareil et son cordon d'alimentation de sorte qu'ils soient inaccessibles aux enfants âgés de moins de 8 ans.
- L'appareil et ses surfaces accessibles peuvent devenir très chauds lorsque l'appareil est en cours d'utilisation. Tenez-les hors de la portée des enfants.

1.5 Conformité avec la directive DEEE et mise au rebut des produits usagés



Ce produit ne contient pas de substances dangereuses et prohibées, telles que décrites dans la « Directive réglementant les déchets d'équipements électriques et

électroniques » émanant du Ministère de l'Environnement et de l'Aménagement urbain. Conforme à la Directive DEEE. Cet appareil a été fabriqué avec des pièces et du matériel de qualité supérieure, susceptibles d'être réutilisés aux fins de recyclage.

Par conséquent, à la fin de sa durée de vie, il ne doit pas être mis au rebut aux côtés de déchets domestiques ordinaires. Au contraire, il doit être éliminé dans un point de collecte réservé au recyclage d'appareils électriques et électroniques. Consultez les autorités locales de votre région pour connaître les points de recyclage. Participez à la protection de l'environnement et des ressources naturelles grâce au recyclage des produits usagés.

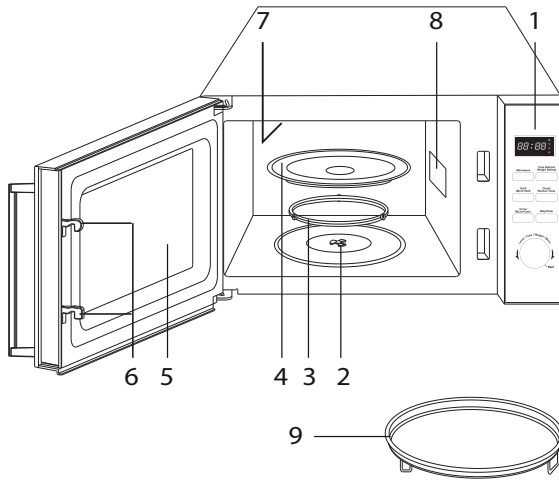
1.6 Information sur l'emballage



L'emballage du produit est composé de matériaux recyclables, conformément à notre réglementation nationale. Ne jetez pas les éléments d'emballage avec les déchets domestiques et autres déchets. Déposez-les dans un des points de collecte d'éléments d'emballage que vous indiquera l'autorité locale dont vous dépendez.

2 Votre four à micro-ondes

2.1 Aperçu



1. Panneau de commande
2. Arbre du plateau tournant
3. Support du plateau tournant
4. Plateau en verre
5. Fenêtre du four
6. Dispositif de verrouillage de sécurité de la porte
7. Élément chauffant de grill
8. Guide d'ondes (Ne retirez pas la plaque de mica qui recouvre le guide d'ondes)
9. Plaque de cuisson

Les inscriptions sur le produit ou les valeurs indiquées sur la documentation fournie avec le produit sont des valeurs obtenues dans des conditions de laboratoire conformément aux normes en vigueur. Ces valeurs peuvent varier selon l'utilisation de l'appareil et les conditions ambiantes. Les valeurs d'alimentation électrique sont testées à 230 V.

2 Votre four à micro-ondes

2.2 Données techniques

	MCF25210X	MCF28310X	MCF32410X
Voltage/ Fréquence	230-240 V/50 Hz,		
Puissance d'entrée - Micro- ondes	1 400 W		1 500 W
Puissance de sortie - Micro- ondes	900 W		1 000 W
Puissance - Gril	1 200 W	1 250 W	
Puissance d'entrée (Convection)	2 250 W	2 300 W	
Fréquence du micro-ondes	2 450 MHz		
Diamètre du pla- teau tournant	270 mm	315 mm	
Dimensions extérieure	562 x 560 x 362 mm	608 x 558 x 366 mm	608 x 604 x 366 mm
Dimensions de la cavité du four	340(L)*333(D)*240(H) mm	353(L)*345(D)*245(H) mm	368(L)*384(D)*238(H) mm?
Capacité du four	25 L	28 L	32 L
Poids net	16.8 kg	19.8 kg	21.2 kg

3.1 Installation

1. Assurez-vous de retirer tous les matériaux d'emballage sur la partie intérieure de la porte.



AVERTISSEMENT : Vérifiez que le four ne présente aucun dommage, notamment une porte mal alignée ou pliée, des joints de porte et une surface d'étanchéité endommagés, des charnières de porte brisées ou desserrées, des verrous et des bosses à l'intérieur de la cavité ou sur la porte. En cas de dommage, ne faites pas fonctionner le four et contactez un personnel qualifié.

2. Ce four à micro-ondes doit être placé sur une surface plane et stable pour supporter son poids et les aliments les plus lourds susceptibles d'être cuits au four.
3. Ne placez pas le four dans un endroit où la chaleur, l'humidité ou l'humidité élevée sont générées, ou près de matériaux combustibles.
4. Pour un fonctionnement correct, le four doit disposer d'un débit d'air suffisant. Prévoyez au moins 20 cm d'espace libre nécessaire au-dessus de la surface supérieure du four et 5 cm des deux côtés. La plaque arrière du four à micro-ondes doit être placée près du mur. Ne couvrez ou ne bloquez aucun orifice de l'appareil. Ne retirez pas les pieds.
5. Ne faites pas fonctionner le four tant que le plateau en verre, le support de rouleaux et l'axe ne sont pas dans leur position correcte.
6. Assurez-vous que le cordon d'alimentation n'est pas endommagé et qu'il ne passe pas sous le four ou sur une surface chaude ou tranchante.
7. La prise doit être facilement accessible afin de pouvoir aisément débrancher votre appareil en cas d'urgence.
8. N'utilisez pas le four à l'extérieur.

3.2 Interférences radio

Le fonctionnement du four à micro-ondes peut créer des interférences avec la radio, la télévision ou d'autres appareils similaires. En cas d'interférences, il est possible de les réduire ou de les supprimer en prenant les mesures suivantes :

1. Nettoyez la porte et la surface d'étanchéité du four.
2. Réorientez l'antenne de réception de la radio ou de la télévision.
3. Déplacez le four à micro-ondes par rapport au récepteur.
4. Éloignez le four à micro-ondes du récepteur.
5. Branchez le four à micro-ondes sur une autre prise, de sorte que le four et le récepteur se trouvent sur des circuits de dérivation différents.

3.3 Instructions de mise à la terre

Cet appareil doit être branché à une borne de mise à la terre. Ce four est équipé d'un cordon muni d'un câble de masse et d'une fiche de mise à la terre. Branchez la fiche sur une prise correctement installée et mise à la terre. En cas de court-circuit électrique, la mise à la terre réduit le risque de choc électrique en offrant au courant électrique un fil d'évacuation. Il est recommandé de prévoir un circuit séparé desservant uniquement le four. L'utilisation d'une haute tension est dangereuse et peut provoquer un incendie ou tout autre accident causant des dommages au four.



AVERTISSEMENT : L'utilisation incorrecte de la fiche de mise à la terre peut entraîner un risque de choc électrique.



Si vous avez des questions relatives à la mise à la terre ou aux instructions en matière d'électricité, consultez un électricien qualifié ou un personnel de service.

3 Installation et raccordement



Ni le fabricant ni le revendeur ne peuvent être tenus responsables des dommages au four ou des blessures corporelles résultant du non-respect des procédures de raccordement électrique.

Les fils de ce câble principal sont colorés selon le code suivant :

Vert et jaune = MISE À LA TERRE

Bleu = NEUTRE

Marron = PHASE

3.4 Principes de préparation au micro-ondes

1. Disposez les aliments avec précaution. Placez les zones les plus épaisses vers l'extérieur du plat.
2. Surveillez le temps de cuisson. Faites cuire les aliments pendant le temps le plus court indiqué et prolongez le temps de cuisson au besoin. Les aliments trop cuits peuvent produire de la fumée ou s'enflammer.
3. Couvrez les aliments pendant la cuisson. Les couvercles empêchent les éclaboussures et aident les aliments à cuire uniformément.
4. Lorsque vous cuisinez au micro-ondes, retournez les aliments une fois pour accélérer la cuisson, notamment le poulet et les hamburgers. Les gros aliments comme les rôtis doivent être retournés au moins une fois.
5. Retournez les aliments comme les boulettes de viande une fois à mi-cuisson, du haut vers le bas et du centre du plat vers l'extérieur.

3.5 Avant d'appeler le service après-vente

Si le four ne fonctionne pas :

1. Vérifiez que le four est bien branché. Si ce n'est pas le cas, retirez la fiche de la prise de courant, attendez 10 secondes et rebranchez-la solidement.

2. Vérifiez si un fusible de circuit a sauté ou si un disjoncteur principal s'est déclenché. Si ceux-ci semblent fonctionner correctement, testez la prise en y branchant un autre appareil.
3. Vérifiez que le panneau de commande est programmé correctement et que la minuterie est réglée.
4. Vérifiez que la porte est bien fermée en activant le système de verrouillage de sécurité de la porte. Si vous ne le faites pas, alors le four ne recevra pas l'énergie micro-ondes.

SI AUCUNE DES MESURES CI-DESSUS NE CORRIGE LA SITUATION, CONTACTEZ UN TECHNICIEN QUALIFIÉ. N'ESSAYEZ PAS DE RÉGLER OU DE RÉPARER LE FOUR DE VOUS-MÊME.

3.6 Guide d'ustensiles

1. Les micro-ondes ne peuvent pas pénétrer le métal. Utilisez uniquement les ustensiles qui conviennent pour une utilisation au micro-ondes. Les récipients métalliques pour aliments et boissons sont interdits pendant la cuisson au micro-ondes. Cette exigence ne s'applique pas si le fabricant spécifie la taille et la forme des récipients métalliques qui conviennent pour la cuisson au micro-ondes.
2. Les micro-ondes ne traversent pas le métal, par conséquent n'utilisez pas d'ustensiles métalliques ou des plats avec des bordures métalliques.
3. Lorsque vous cuisinez au micro-ondes, n'utilisez pas des papiers recyclés car ils pourraient contenir de petits fragments métalliques pouvant causer des étincelles ou un incendie.
4. Il est recommandé d'utiliser des plats ronds ou ovales plutôt que des plats carrés ou allongés, car les aliments dans les coins ont tendance à trop cuire.
5. Vous pouvez utiliser des bandes étroites de papier d'aluminium pour éviter que les zones exposées ne cuisent trop. Mais faites attention à ne pas trop en utiliser et gardez une distance de 1 pouce (2,54 cm) entre le papier d'aluminium et la cavité.

3 Installation et raccordement

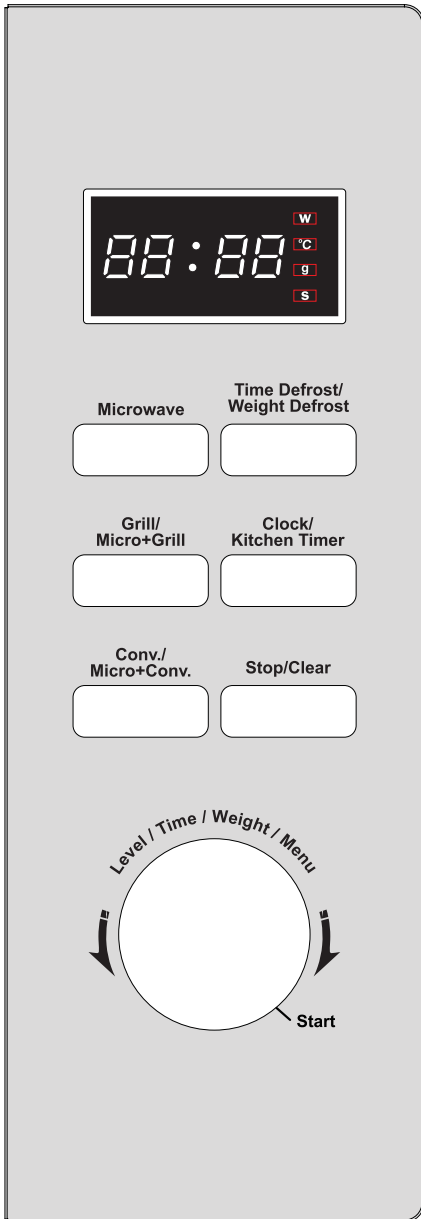
La liste ci-dessous est un guide général pour vous aider à choisir les bons ustensiles.

Ustensiles de cuisine	Micro-ondes	Gril	Chaleur tournante	Cuisson combinée*
Verre thermorésistant	Oui	Oui	Oui	Oui
Verre non thermorésistant	Non	Non	Non	Non
Céramiques thermorésistantes	Oui	Oui	Oui	Oui
Plat en plastique sûr pour le micro-ondes	Oui	Non	Non	Non
Essuie-tout	Oui	Non	Non	Non
Plateau métallique	Non	Oui	Oui	Non
Plaque de cuisson	Non	Oui	Oui	Non
Récipient en aluminium et papier d'aluminium	Non	Oui	Oui	Non

* Combinaison : applicable pour la cuisson « micro + gril » et « micro + convection ».

4 Fonctionnement

4.1 Panneau de commande



4.2 Écran d'action du menu

- Le temps de cuisson, l'alimentation, les indicateurs d'action et l'heure sont affichés.

« Micro-ondes »

- Appuyez sur cette touche pour régler le programme de cuisson au micro-ondes.

« Horloge/Minuterie de cuisine »

- Appuyez sur cette touche pour régler l'heure.
- Appuyez sur cette touche pour définir la fonction de minuterie de cuisine.

Conv/Micro + Conv.

- Appuyez sur cette touche pour programmer la cuisson par convection.
- Appuyez sur cette touche pour sélectionner l'un des quatre réglages de cuisson combinés.

« Gril/Micro + Gril »

- Appuyez sur cette touche pour régler le programme du gril.
- Appuyez sur cette touche pour sélectionner l'un des deux réglages de cuisson combinés.

« Arrêter/Annuler »

- Appuyez sur cette touche pour annuler le réglage ou réinitialiser le four avant de régler un programme de cuisson.
- Appuyez une fois pour arrêter temporairement la cuisson, ou deux fois pour annuler complètement la cuisson.

Bouton « Niveau/Heure/Poids/Menu »

- Tournez le bouton pour entrer le temps de cuisson.
- Tournez le bouton pour sélectionner un menu de cuisson automatique.
- Tournez le bouton pour sélectionner le niveau de puissance de cuisson au micro-ondes.
- Tournez le bouton pour régler la température de cuisson par convection.

Bouton « Démarrer »

- Appuyez une fois sur cette touche pour lancer un programme de cuisson.

4 Fonctionnement

- Il suffit d'appuyer plusieurs fois pour régler le temps de cuisson et faire cuire immédiatement les aliments à pleine puissance

Décongélation en fonction du temps/Décongélation en fonction du poids

- Appuyez une fois sur cette touche pour régler le programme de décongélation en fonction de l'heure entrée.
- Appuyez deux fois sur cette touche pour régler le programme de décongélation en fonction du poids entré.

4.3 Comment régler les commandes du four

- Lorsque vous branchez le four pour la première fois, un signal sonore retentit et l'afficheur indique « 1:01 ».
- Pendant la cuisson, si vous appuyez une fois sur la touche « Arrêter/Annuler », le programme marque un arrêt, puis vous appuyez sur la touche « Démarrer » pour reprendre, mais si vous appuyez deux fois sur la touche « Arrêter/Annuler », le programme est annulé.
- À la fin de la cuisson, le système émet un bip sonore toutes les deux minutes pour le rappeler à l'utilisateur jusqu'à ce qu'il appuie sur la touche « Arrêter/Annuler » ou ouvre la porte.
- Le système de contrôle électronique du four à micro-ondes est doté d'une fonction de refroidissement. Comme pour tout mode de cuisson dont le temps de cuisson est supérieur à 2 minutes, si vous ouvrez la porte du four ou si le programme de cuisson marque un arrêt, le ventilateur du four fonctionnera environ 3 minutes automatiquement pour le refroidir afin de prolonger sa durée de vie.

4.4 Réglage de l'heure

L'horloge peut avoir le format 12 ou 24 heures. Vous pouvez sélectionner votre format en appuyant sur la touche Horloge / Cuisson.

PAR EXEMPLE : Supposons que vous vouliez régler l'heure du four à 8 h 30.

1. Appuyez sur le bouton « Horloge/ Minuterie de cuisine » et maintenez-le enfoncé pendant 3 secondes pour sélectionner le cycle d'horloge de 12 heures (si vous voulez choisir l'horloge de 24 heures, appuyez à nouveau sur la touche).
2. Tournez le bouton Niveau/Heure/Poids/Menu pour régler le chiffre des heures sur 8.
3. Appuyez une fois sur le bouton « Horloge/ Minuterie de cuisine » pour confirmer le réglage de l'heure.
4. Tournez le bouton Niveau/Heure/Poids/Menu pour régler le chiffre des minutes sur 30.
5. Appuyez une fois sur le bouton « Horloge/ Minuterie de cuisine » pour confirmer le réglage.



Pour vérifier l'heure pendant le fonctionnement du four, appuyez sur le bouton « Horloge/Minuterie de cuisine », alors l'heure actuelle s'affiche pendant un certain temps à l'écran d'affichage.

4.5 Démarrage rapide

Lorsque vous lancez le démarrage rapide d'un programme de cuisson, le four cuit rapidement les aliments à puissance ÉLEVÉE (100 % de la puissance de sortie).

Appuyez simplement sur le bouton « Démarrer » un certain nombre de fois pour régler un temps de cuisson, le four démarre automatiquement à pleine puissance. Le temps de cuisson maximum que vous pouvez entrer est de 10 minutes.

4.6 Cuisson au four à micro-ondes

Pour la cuisson « Micro-ondes », le niveau de puissance de cuisson et le temps de cuisson peuvent être réglés. Le temps de cuisson maximum est de 95 minutes.

4 Fonctionnement

Supposons par exemple que vous souhaitez cuisiner pendant 10 minutes à une puissance « Micro-ondes » de 450 W.

1. Appuyez une fois sur la touche « Micro-ondes », puis tournez le bouton « Niveau/Heure/Poids/Menu » pour sélectionner le niveau de puissance de cuisson.
2. Appuyez sur « Démarrer » pour confirmer.
3. Tournez le bouton « Niveau/Heure/Poids/Menu » pour régler le temps de cuisson.
4. Appuyez sur « Démarrer ».



Il existe 11 niveaux de puissance de cuisson (P100, P-90, P-80, P-70, P-60, P-50, P-40, P-30, P-20, P-10, P-10, P-00) que vous pouvez choisir en tournant le cadran « Niveau/Heure/Poids/Menu ».

Pendant la cuisson, vous pouvez vérifier le niveau de puissance en appuyant sur la touche « Micro-ondes ».

4.7 Décongélation en fonction du poids

Le four permet à l'utilisateur de décongeler les aliments en fonction du poids entré. Le temps de décongélation et le niveau de puissance sont automatiquement réglés une fois que la catégorie d'aliments et le poids sont programmés. Le poids des aliments congelés varie entre 100 g et 1 800 g.

1. En mode Veille, appuyez deux fois sur la touche Décongélation en fonction du temps / Décongélation en fonction du poids.
2. Tournez le cadran « Niveau/Heure/Poids/Menu » pour sélectionner le poids des aliments à décongeler.
3. Appuyez sur « Démarrer » pour confirmer.



Pendant la décongélation, le four s'arrête pour permettre à l'utilisateur de retourner les aliments pour une décongélation uniforme, celui-ci doit ensuite appuyer sur « Démarrer » pour lancer le temps de décongélation restant.

Le four ne fonctionnera pas bien si vous entrez un poids supérieur au poids maximum recommandé.

4.8 Décongélation en fonction du temps

Le four permet à l'utilisateur de décongeler les aliments en fonction du temps entré.

1. En mode Veille, appuyez une fois sur la touche Décongélation en fonction du temps / Décongélation en fonction du poids.
2. Tournez le cadran « Niveau/Heure/Poids/Menu » pour entrer le temps de décongélation.
3. Appuyez sur « Démarrer » pour confirmer.



Pendant la décongélation, le four s'arrête pour permettre à l'utilisateur de retourner les aliments pour une décongélation uniforme, celui-ci doit ensuite appuyer sur « Démarrer » pour lancer le temps de décongélation restant.

4.9 Gril

Le four permet à l'utilisateur de griller les aliments en fonction du poids entré. Le temps de cuisson maximum est de 95 minutes.

1. Appuyez une fois sur le bouton « Gril/Micro+Gril ».
2. Appuyez sur « Démarrer » pour confirmer.
3. Tournez le cadran « Niveau/Heure/Poids/Menu » pour entrer le temps de cuisson.
4. Appuyez sur « Démarrer ».

4.10 Micro + Gril

Le temps de cuisson maximum est de 95 minutes. Cette fonction vous permet de combiner la cuisson au gril et au micro-ondes sur deux réglages différents.

4.10.1 Combinaison de cuisson 1

30 % du temps pour la cuisson au « Micro-ondes », 70 % pour la cuisson au gril. Utilisez cette combinaison pour le poisson, les pommes de terre ou le gratin.

Supposons que vous vouliez régler la combinaison de cuisson 1 à 25 minutes.

1. Appuyez deux fois sur la touche « Gril/ Micro+Gril » et tournez le cadran « Niveau/Heure/Poids/Menu » jusqu'à ce que l'écran indique « Gr2 ».
2. Appuyez sur « Démarrer » pour confirmer.
3. Tournez le cadran « Niveau/Heure/Poids/Menu » pour entrer le temps de cuisson.
4. Appuyez sur le bouton « Démarrer ».

4.10.2 Combinaison de cuisson 2

55 % du temps pour la cuisson au « Micro-ondes », 45 % pour la cuisson au gril. Utilisez cette combinaison pour le pudding, les omelettes, les pommes de terre au four et la volaille.

Supposons que vous vouliez régler la combinaison de cuisson 2 pendant 12 minutes.

1. Appuyez deux fois sur la touche « Gril/ Micro+Gril » et tournez le cadran « Niveau/Heure/Poids/Menu » jusqu'à ce que l'écran indique « Gr3 ».
2. Appuyez sur « Démarrer » pour confirmer.
3. Tournez le cadran « Niveau/Heure/Poids/Menu » pour entrer le temps de cuisson.
4. Appuyez sur le bouton « Démarrer ».

4.11 Convection

Pendant la cuisson par convection, de l'air chaud circule dans toute la cavité du four pour brunir et préparer des aliments croustillants rapidement et uniformément. Ce four peut être programmé pour dix températures de cuisson différentes. Le temps de cuisson maximum que l'utilisateur peut régler est de 95 minutes.

Pour cuisiner par convection

Pour cuisiner par convection, appuyez une fois sur la touche « Conv/Micro+Conv. », puis tournez le cadran « Niveau/Heure/Poids/Menu » dans le sens horaire pour entrer la température de convection souhaitée (110 °C, 120 °C, 130 °C, 140 °C, 150 °C, 160 °C, 170 °C, 180 °C, 190 °C, 200 °C).

Supposons que vous vouliez effectuer une cuisson à 180 °C pendant 40 minutes.

1. Lorsque le four est en mode Veille, placez-y les aliments et fermez-le.
2. Appuyez une fois sur la touche « Conv/ Micro+Conv. », puis tournez le cadran « Niveau/Heure/Poids/Menu » dans le sens horaire pour entrer la température de convection 180 °C.
3. Appuyez sur « Démarrer » pour confirmer.
4. Tournez le bouton « Niveau/Heure/Poids/Menu » pour entrer le temps de cuisson (le temps le plus long est de 95 minutes).
5. Appuyez sur le bouton « Démarrer ».



Vous pouvez vérifier la température de convection pendant la cuisson en appuyant sur la touche « Conv/ Micro+Conv. ».

Pour préchauffer et faire la cuisine par convection

Votre four peut être programmé pour combiner les opérations de préchauffage et de cuisson par convection.

Supposons que vous voulez préchauffer à 170 °C et effectuer une cuisson pendant 35 minutes.

1. Lorsque le four est en mode Veille, placez-y les aliments et fermez-le.

4 Fonctionnement

- Appuyez une fois sur la touche « Conv/Micro+Conv. », puis tournez le cadran « Niveau/Heure/Poids/Menu » dans le sens horaire pour entrer la température de convection 170 °C.
- Appuyez sur la touche « Démarrer » pour confirmer et appuyez à nouveau sur cette touche.
- Lorsque le four atteint la température désignée, il émet un « bip » toutes les 5 secondes pour le rappeler à l'utilisateur.
- Ouvrez la porte et placez le récipient des aliments au centre du plateau tournant.
- Tournez le bouton « Niveau/Heure/Poids/Menu » pour régler le temps de cuisson.
- Appuyez sur le bouton « Démarrer ».



Le temps de préchauffage le plus long est de 30 minutes et il ne peut pas être réglé. Lorsque la température de préchauffage est atteinte, le four émet un bip toutes les 5 secondes, si aucune opération n'est effectuée dans les 30 minutes, le programme se termine automatiquement.

4.12 Micro + convection

Ce four est doté de quatre réglages préprogrammés qui facilitent automatiquement la cuisson par convection et au « Micro-ondes ». Le temps de cuisson maximum que l'utilisateur peut régler est de 95 minutes.

Appuyez deux fois sur le bouton « Conv/Micro+Conv. », puis tournez le cadran « Niveau/Heure/Poids/Menu » pour programmer la température de convection (200 °C → 170 °C → 140 °C → 110 °C).

- Lorsque le four est en mode Veille, placez-y les aliments et fermez-le.
- Appuyez deux fois sur le bouton « Conv/Micro+Conv. »
- Tournez le cadran « Niveau/Heure/Poids/Menu » pour indiquer la température de convection.
- Appuyez sur « Démarrer » pour confirmer.

- Tournez le bouton « Niveau/Heure/Poids/Menu » pour régler le temps de cuisson.
- Appuyez sur le bouton « Démarrer ».



Pendant la cuisson, vous pouvez vérifier la température de convection en appuyant sur le bouton « Conv/Micro+Conv. ».

4.13 Réglage de la minuterie de cuisine

vous pouvez régler la minuterie du four pour vous souvenir du temps de cuisson. La durée maximale que vous pouvez régler est de 95 minutes.

Supposons que vous voulez régler la minuterie de la cuisine sur 30 minutes :

- Appuyez une fois sur le bouton « Horloge/Minuterie de cuisine ».
- Tournez le bouton numérique « Niveau/Heure/Poids/Menu » pour régler 30:00.
- Appuyez sur « Démarrer » pour confirmer.



Lorsque la minuterie démarre, vous pouvez appuyer sur « Horloge/Minuterie de cuisine » pour voir le temps de la minuterie pendant 5 secondes et appuyez sur « Arrêter/Annuler » dans les 5 secondes pour l'annuler.

4.14 Sécurité enfants

Utilisez cette fonction pour empêcher les petits enfants de faire fonctionner le four sans surveillance. L'indicateur de SÉCURITÉ ENFANTS s'affiche à l'écran d'affichage et il est alors impossible d'utiliser le four pendant que vous réglez la fonction SÉCURITÉ ENFANTS.

Pour régler la SÉCURITÉ ENFANTS : Lorsque le four est en mode Veille et ne fonctionne pas pendant une minute, il passe automatiquement en mode Sécurité enfants et tous les boutons deviennent inactifs.

4 Fonctionnement

Pour annuler la SÉCURITÉ ENFANTS :

En mode Sécurité enfants, l'ouverture ou la fermeture de la porte du four peut annuler le programme.

4.15 Protection

4.15.1 Protection contre la surchauffe

Lorsque le système passe en mode Protection contre les températures très élevées, l'afficheur numérique affiche « E01 » et continue d'émettre des bips jusqu'au dépannage, il suffit d'appuyer sur la touche « Arrêter/Annuler » pour que le système revienne en mode Veille normal.

4.15.2 Protection contre les basses températures

Lorsque le système se met en mode Protection contre les températures très basses, l'afficheur numérique affiche « E02 » et continue d'émettre des bips jusqu'à ce que vous appuyiez sur la touche « Arrêter/Annuler », le système revient en mode Veille normal.

4.15.3 Protection contre les dysfonctionnements du capteur

Le système passe en mode Protection lorsque le capteur subit un court-circuit. L'écran affiche « E03 » et continue d'émettre un bip jusqu'à ce que vous appuyiez sur « Arrêter/Annuler », le système revient alors en mode Veille normal.

4.16 Cuisson automatique

Pour la cuisson des aliments suivants, vous n'avez pas besoin d'entrer la puissance et le temps de cuisson. Essayez de vous concentrer sur le fait d'indiquer au four ce que vous voulez cuisiner et quel est le poids des aliments. Le four se met en marche une fois que vous appuyez sur la touche « Démarrer ».

Par exemple :

1. En mode Veille, tournez le cadran « Niveau/Heure/Poids/Menu » dans le sens antihoraire pour sélectionner le code des aliments
2. Appuyez une fois sur la touche « Démarrer ».
3. Tournez le cadran « Niveau/Heure/Poids/Menu » pour sélectionner le poids souhaité.
4. Appuyez sur le bouton « Démarrer ».

4 Fonctionnement

Menu Cuisson automatique

Code	Aliments	REMARQUES : 1. Pour le lait/café et les pommes de terre, l'écran affiche le nombre de portions au lieu du poids des aliments. 2. Pour le point A-7, le four s'arrête pour permettre à l'utilisateur de retourner les aliments pour une décongélation uniforme, celui-ci doit ensuite appuyer sur « Démarrer » pour terminer le temps restant. 3. Le résultat de la cuisson automatique dépend des facteurs tels que les fluctuations de tension, la forme et la taille des aliments, votre préférence personnelle quant à la cuisson de certains aliments et même la façon dont vous placez les aliments dans le four. Si vous trouvez que le résultat n'est pas tout à fait satisfaisant, veuillez régler un peu le temps de cuisson en conséquence.
A-1	Lait / Café (200 ml/tasse)	
A-2	Popcorn (99 g)	
A-3	Spaghetti (g)	
A-4	Pomme de terre (230 g/unité)	
A-5	Réchauffage automatique (g)	
A-6	Poisson (g)	
A-7	Poulet (g)	
A-8	Pizza (g)	
A-9	Gâteau (475 g)	

5.1 Nettoyage et entretien

1. Éteignez le four et débranchez la fiche d'alimentation de la prise murale avant le nettoyage.
2. Maintenez l'intérieur du four propre. Lorsque des éclaboussures d'aliments ou des liquides renversés se déposent sur les parois du four, essuyez-les à l'aide d'un chiffon humide. Utilisez un détergent doux si le four est très sale. Évitez l'utilisation d'aérosol et d'autres nettoyants abrasifs, car ils peuvent tacher, rayer ou ternir la surface de la porte.
3. Nettoyez les surfaces extérieures avec un chiffon humide. Pour éviter d'endommager les pièces fonctionnelles à l'intérieur du four, ne laissez pas l'eau s'infiltrer par les orifices de ventilation.
4. Essuyez régulièrement les deux côtés de la porte et de la fenêtre, les joints d'étanchéité de la porte et les pièces adjacentes avec un chiffon humide pour nettoyer tout déversement ou toute éclaboussure. N'utilisez pas de nettoyants abrasifs.
5. Utilisez un nettoyant à la vapeur.
6. Ne laissez pas le panneau de commande se mouiller. Nettoyez avec un chiffon humide et doux. Lorsque vous nettoyez le panneau de commande, laissez la porte du four ouverte pour éviter que le four ne s'allume accidentellement.
7. Si de la vapeur s'accumule à l'intérieur ou autour de la porte du four, essuyez-la à l'aide d'un chiffon doux. Cela se produit lorsque le four à micro-ondes fonctionne dans des conditions d'extrême humidité. Ce phénomène est normal.
8. Il est parfois nécessaire de retirer le plateau en verre pour le nettoyer. Lavez le plateau dans de l'eau tiède savonneuse ou au lave-vaisselle.
9. Nettoyez régulièrement l'anneau de rouleau et le plancher du four pour éviter des bruits excessifs. Essuyez simplement la surface inférieure du four à l'aide d'un détergent doux. Vous pouvez laver l'anneau de rouleau dans de l'eau tiède savonneuse ou au lave-vaisselle. Lorsque vous retirez l'anneau de rouleau du fond de la cavité pour le nettoyer, veillez à le replacer dans la bonne position.
10. Pour éliminer les odeurs de votre four, mélangez une tasse d'eau avec le jus et le zeste d'un citron dans un bol profond utilisable au micro-ondes et placez le bol dans le four pendant 5 minutes. Nettoyez soigneusement et séchez ensuite en vous servant d'un chiffon doux.
11. Lorsqu'il est nécessaire de remplacer la lampe du four, veuillez consulter un vendeur pour la faire remplacer.
12. Le four doit être régulièrement nettoyé et tous les dépôts d'aliments doivent être retirés. Tout défaut de conservation du four dans un état propre peut entraîner la détérioration de sa surface, ce qui en retour pourrait affecter la durée de vie de l'appareil et éventuellement des situations dangereuses.
13. Ne jetez pas cet appareil avec les ordures ménagères ; il doit être mis au rebut dans le centre de collecte prévu à cet effet par les autorités municipales.
14. Lorsque vous utilisez le four à micro-ondes avec fonction gril pour la première fois, il peut produire de légères fumées et odeur. Ce phénomène est normal, car le four comporte une plaque d'acier recouverte d'huile de lubrification, et lorsqu'il est neuf, il produit des fumées et des odeurs générées par la combustion de l'huile de lubrification. Ce phénomène disparaît après une période d'utilisation.

5.2 Rangement

- Si vous ne comptez pas utiliser votre appareil pendant un certain temps, veuillez le ranger soigneusement.
- Veuillez également à ce que l'appareil soit débranché, complètement refroidi et entièrement sec.
- Conservez l'appareil dans un endroit frais et sec.
- Tenez l'appareil hors de la portée des enfants.

5.3 Manipulation et transport

- Pendant la manipulation et le transport, portez toujours l'appareil dans son emballage d'origine. L'emballage de l'appareil le protège des dommages physiques.
- Ne placez pas de charges lourdes sur l'appareil ou sur l'emballage. Cela pourrait l'endommager.
- Toute chute de l'appareil peut le rendre non opérationnel ou l'endommager de façon permanente.

6 Dépannage

Problème	Raison éventuelle	Solution
Le four ne démarre pas.	1) Le cordon d'alimentation n'est pas correctement enfiché.	Débranchez. Branchez ensuite après 10 secondes.
	2) Fusible grillé ou disjoncteur activé.	Remplacez le fusible ou le disjoncteur (réparé par un professionnel de notre entreprise).
	3) Problème avec la sortie.	Testez la sortie avec d'autres appareils électriques.
Le four ne chauffe pas.	4) La porte n'est pas correctement fermée.	Fermez correctement la porte.
Le plateau tournant en verre fait du bruit lorsque le four est en marche	5) Le plateau tournant et le bas du four sont sales.	Reportez-vous à la section « Nettoyage et Entretien » pour le nettoyage des pièces sales.




¡Lea este manual antes de utilizar el aparato!

Estimado cliente:

Gracias por elegir un producto Beko. Esperamos que obtenga los mejores resultados de nuestro producto ya que ha sido fabricado con gran calidad y con tecnología de última generación. Por tanto, le aconsejamos que lea con atención este manual del usuario y todos los demás documentos adjuntos antes de utilizar el producto y que lo guarde para futuras consultas. Si va a entregar este producto a otra persona, proporciónese el manual del usuario también. Siga todas las advertencias e instrucciones incluidas en este manual.

Significado de los símbolos

Los siguientes símbolos se usan en las diversas secciones del presente manual:

	Información importante y consejos útiles sobre el uso.
	Advertencias de situaciones peligrosas sobre la seguridad de las personas y la propiedad.
	Advertencia para las superficies calientes.



Este producto se ha fabricado en plantas de fabricación modernas y que hacen uso de procesos respetuosos con el medio ambiente.

Esta sección contiene instrucciones de seguridad que ayudarán a la protección contra los riesgos de incendio, descarga eléctrica, exposición a la energía de microondas, lesiones personales o daño a la propiedad. El incumplimiento de estas instrucciones puede causar la anulación de las garantías otorgadas.

1.1 Seguridad general

- No intente iniciar el horno con la puerta abierta; de lo contrario, podrá exponerse a la energía de microondas que puede ser dañina. Los bloqueos de seguridad no se deben desactivar ni manipular.
 - No coloque ningún objeto entre la parte frontal y la puerta del horno. No deje que se acumule suciedad o restos de productos de limpieza en las superficies de cierre.
 - Cualquier trabajo de servicio técnico que incluya la retirada de la tapa que brinda protección contra la exposición a la energía de microondas debe ser realizada por personas o servicio técnico autorizados. Si se realiza de otro modo, resultará peligroso.
 - Su producto está destinado a cocinar, calentar y descongelar alimentos en un ámbito doméstico.
- No debe utilizarse para fines comerciales. El fabricante no se responsabilizará por los daños que puedan surgir por mal uso.
 - No utilice este electrodoméstico al aire libre, en baños, ambientes húmedos o en lugares donde pueda mojarse.
 - No se asumirá ninguna reclamación de garantía o responsabilidad por daños causados por mal uso o manipulación inadecuada del aparato.
 - Nunca trate de desmontar el aparato. No se admitirá reclamación de garantía alguna por daños causados por un manejo inadecuado.
 - Utilice únicamente accesorios originales o bien los que recomiende el fabricante.
 - No deje este aparato desatendido mientras esté enchufado.
 - Utilice el aparato sobre una superficie estable, plana, limpia y no deslizante.
 - Este aparato no debe utilizarse con ningún temporizador externo o sistema de control remoto independiente.

- Antes de utilizar el aparato por primera vez, limpie todas sus piezas. Consulte los detalles en la sección "Limpieza y mantenimiento".
- Utilice este aparato únicamente para su uso previsto, tal como se describe en este manual. No utilice productos químicos abrasivos o vapor en este aparato. Este horno está destinado particularmente a calentar y cocinar alimentos. No debe destinarse al uso industrial o en laboratorios.
- No utilice este electrodoméstico para secar la ropa o los paños de cocina.
- El aparato alcanza temperaturas muy elevadas cuando está en uso. Tenga cuidado de no tocar las partes calientes dentro del horno.
- Este horno no está diseñado para secar ningún ser vivo.
- No lo ponga en funcionamiento cuando esté vacío.
- Los utensilios de cocina pueden calentarse por efecto de la transferencia de calor de los alimentos al utensilio. Puede ser necesario que use guantes para sostener el utensilio.
- Los utensilios se deberán verificar para asegurarse de que sean aptos para su uso en hornos microondas.
- No coloque el horno sobre fogones u otros aparatos generadores de calor. De lo contrario, se puede dañar y la garantía se anulará.
- El horno microondas no se debe ubicar en un armario que no cumpla con las instrucciones de instalación.
- El vapor puede salir al abrir las tapas o el papel de cobertura tras la cocción del alimento.
- Utilice guantes al retirar cualquier tipo de alimento calentado.
- Es posible que el aparato y las superficies accesibles estén muy calientes durante el funcionamiento.
- Es posible que la puerta y el vidrio exteriores estén muy calientes mientras el aparato esté en funcionamiento.

1.1.1 Seguridad eléctrica

- El horno microondas Beko cumple con todas las normas de seguridad aplicables; por ello, si el cable o el aparato presentan daños, deberán ser reparados o sustituidos por el distribuidor, un servicio técnico o una persona cualificada y autorizada para evitar cualquier peligro. Los trabajos de reparación deficientes o realizados por personal no cualificado puede ser peligrosos y entrañar riesgos para el usuario.
- Asegúrese de que la fuente de alimentación cumpla con la información que se indica en la placa de datos del aparato.
La única forma de desconectar el aparato de la corriente eléctrica es desenchufarlo de la toma de pared.
- Use el aparato únicamente con un enchufe con toma a tierra.
- Nunca utilice el aparato si está dañado el cable de alimentación o el mismo aparato.
- No utilice este aparato con un cable alargador.

- Nunca toque el aparato o su enchufe con las manos húmedas o mojadas.
- Coloque siempre el aparato de forma que el enchufe quede a mano.
- Evite daños al cable procurando que no sufra tirones, no se doble y no roce con bordes afilados para evitar dañarlo. Mantenga el cable de corriente alejado de superficies calientes y llamas abiertas.
- Asegúrese de que no exista peligro de que pueda tirarse accidentalmente del cable de corriente o de que alguien tropiece con él mientras el aparato esté en uso.
- Desenchufe el aparato antes de cada limpieza y cuando no esté en uso.
- No tire del cable de alimentación del aparato para desconectarlo de la red ni enrolle el cable alrededor del mismo.
- No sumerja el aparato, el cable eléctrico o el enchufe en agua ni en ningún otro líquido. Tampoco ponga dichos elementos bajo un chorro de agua.

- Vigile el horno cuando caliente alimentos en recipientes de plástico o papel, y controle el horno frecuentemente, ya que existe la posibilidad de que estos materiales se incendien.
- Retire los alambres y/o asas metálicas de las bolsas de papel o de plástico antes de colocar estas bolsas aptas para su uso en microondas dentro del horno.
- Apague el aparato o desenchúfelo y mantenga la puerta cerrada para evitar un incendio si observa humo.
- No utilice el interior del horno para almacenamiento. No deje objetos de papel, utensilios de cocción o alimentos dentro del horno cuando se esté utilizando.
- Agite o remueva los contenidos de los biberones y de los tarritos de comida para bebés y compruebe su temperatura antes de su consumo con el fin de evitar quemaduras.
- Este producto es un equipo de Grupo 2 Clase B ISM. El Grupo 2 engloba todos los equipos ISM (industriales, científicos y médicos) en los que la energía de radiofrecuencia se genera intencionalmente y/o se usa en forma de radiación electromagnética para el tratamiento de materiales, así como los equipo de electroerosión.
- Los equipos de la Clase B están diseñados para el uso en hogares o establecimientos directamente conectados a una red de alimentación de bajo voltaje.
- La puerta o la superficie exterior del aparato pueden calentarse cuando estén en uso.

1.1.2 Seguridad del producto

- No caliente líquidos u otros alimentos en recipientes cerrados, ya que existe riesgo de explosión.
- Calentar bebidas con microondas puede hacer que hiervan y salpiquen alrededor una vez que se hayan retirado del horno; por lo tanto, tenga cuidado al sostener los recipientes.

- No use el horno para freír alimentos. El aceite caliente puede dañar los componentes y materiales del horno, y puede incluso causar quemaduras en la piel.
- Pele los alimentos de piel dura, como patatas, calabacines, manzanas y castañas.
- El aparato debe estar ubicado de manera tal que la parte trasera esté mirando hacia la pared.
- Si la puerta o sus juntas han sufrido daños, no utilice el horno hasta que no haya sido reparado por un técnico competente.
- Antes de mover el aparato, asegure el plato giratorio para evitar daños al mismo.
- No utilice su horno microondas para cocinar o calentar huevos que no sean revueltos, con o sin cáscara.
- Nunca quite las piezas en la parte trasera y en los laterales del aparato, ya que protegen las distancias mínimas entre las paredes del armario y el electrodoméstico para permitir la circulación de aire necesaria.

1.2 Uso previsto

- Este horno microondas se ha diseñado únicamente para su uso integrado.
- No utilice el aparato para otros fines distintos de su uso previsto.
- No lo utilice como una fuente de calor.
- El horno microondas está diseñado únicamente para descongelar, cocinar y guisar alimentos.
- No cocine excesivamente los alimentos, de lo contrario, podría causar un incendio.
- No utilice limpiadores a vapor para limpiar el aparato.

1.3 Seguridad infantil

- Se recomienda la máxima precaución cuando se esté utilizando cerca de niños o personas con discapacidades físicas, sensoriales o mentales.

- Los niños de ocho o más años y las personas con las capacidades físicas, sensoriales o mentales limitadas o que no tengan los conocimientos y la experiencia necesarios pueden usar este aparato siempre y cuando lo hagan bajo supervisión o bien comprendan las instrucciones de uso seguro del aparato y sus riesgos potenciales. No deje que los niños jueguen con el aparato. Las tareas de limpieza y mantenimiento no deben dejarse en manos de niños a menos que sean supervisados por un adulto.
- ¡Peligro de descarga eléctrica! Mantenga todos los materiales de embalaje alejados de los niños.
- No deje que los niños empleen el horno microondas sin supervisión, a no ser que hayan recibido instrucciones adecuadas sobre su utilización segura y comprendan los riesgos de un uso inadecuado.
- Debido al calor excesivo que emana en los modos grill y combinado, los niños solo podrán estar autorizados a utilizar estos modos bajo la supervisión de un adulto.
- Mantenga el producto y su cable de alimentación inaccesibles a los niños menores de 8 años.
- Es posible que el aparato y las superficies accesibles estén muy calientes durante el funcionamiento. Mantenga a los niños alejados.

1.4 Cumplimiento de la Directiva RAEE y eliminación de residuos.



Este producto no incluye los materiales nocivos y prohibidos especificados en la normativa para la supervisión de los residuos de aparatos eléctricos y electrónicos de desecho (RAEE), promulgada por el Ministerio de Medio Ambiente y Planificación Urbanística. Cumple con la Directiva RAEE. En la fabricación de este producto se han empleado piezas y materiales de alta calidad, que pueden reutilizarse y reciclarse.

Por lo tanto, no arroje este producto a la basura junto con sus residuos domésticos normales al final de su vida útil. Llévelo a un punto de recogida para el reciclado de sus componentes eléctricos y electrónicos. Diríjase a la autoridad local de su zona para obtener la dirección de dichos puntos de recogida. Ayude a proteger el medio ambiente reciclando los productos usados.

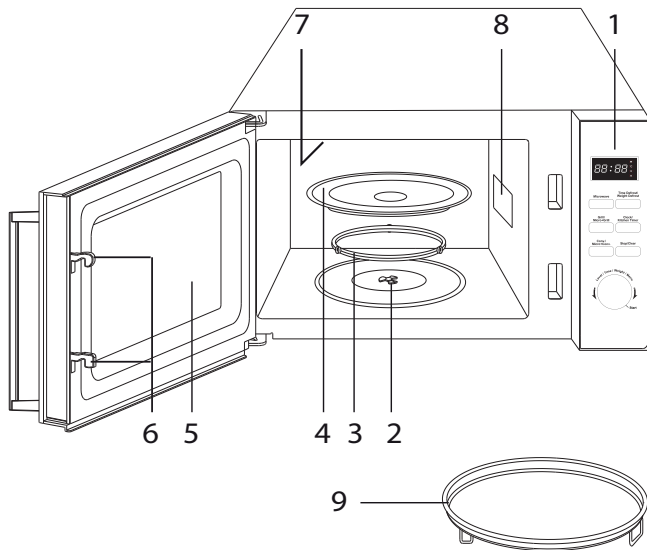
1.5 Información de embalaje



El embalaje del producto está fabricado con material reciclable de acuerdo con las normativas nacionales sobre medio ambiente. No se deshaga del material de embalaje ni de los desechos domésticos o de otro tipo. Llévelos a los puntos de recogida de material de embalaje designados por las autoridades locales.

2 Su horno microondas

2.1 Información general



1. Panel de control
2. Eje del plato giratorio
3. Soporte del plato giratorio
4. Bandeja de cristal
5. Ventana del horno
6. Sistema de bloqueo de seguridad de la puerta
7. Calentador de la parrilla
8. Guía de ondas (no retire la placa de mica que cubre la guía de ondas)
9. Bandeja de horneado

Las evaluaciones del producto o los valores indicados en los demás documentos adjuntos son valores que se han obtenido en condiciones de laboratorio de acuerdo con las normas pertinentes. Estos valores pueden variar según el uso que se haga del aparato y de las condiciones ambientales. Los valores de potencia fueron probados a 230 V.

2 Su horno microondas

2.2 Datos técnicos

	MCF25210X	MCF28310X	MCF32410X
Voltaje/Frecuencia	230-240 V / 50 Hz,		
Potencia de entrada - Microondas	1400 W		1500 W
Potencia de salida - Microondas	900 W		1000 W
Potencia de la parrilla	1200 W	1250 W	
Potencia de entrada (Convección)	2250 W	2300 W	
Frecuencia de microondas	2450 MHz		
Diámetro del plato giratorio	270 mm	315 mm	
Dimensiones exteriores	562*560*362 mm	608*558*366 mm	608*604*366 mm
Dimensiones de la cavidad del horno	340(L)*333(D)*240(H) mm	353(L)*345(D)*245(H) mm	368(L)*384(D)*238(H) mm
Capacidad del horno	25 L	28 L	32 L
Peso neto	16.8 kg	19.8 kg	21.2 kg

3 Instalación y conexión

3.1 Instalación

1. Asegúrese de haber retirado todos los materiales de embalaje del interior del horno.



ADVERTENCIA: Compruebe si el horno presenta algún daño, como defectos de alineación o deformaciones en la puerta, daños en las juntas o las superficies de sellado de la puerta, bisagras o pestillos rotos o sueltos, o abolladuras en la cavidad del horno o en la puerta. Si observa algún daño, no utilice el aparato y contacte con un servicio técnico cualificado.

2. Este horno microondas debe colocarse sobre una superficie plana, estable y capaz de sostener su peso y el de los alimentos más pesados que prevea cocinar en el horno.
3. No coloque el horno en zonas con una alta presencia de calor, vaho o humedad, o cerca de materiales combustibles.
4. Para funcionar correctamente, el horno debe tener una ventilación adecuada. Deje un mínimo de 20 cm de espacio libre por encima del horno y 5 cm a ambos lados. La placa trasera del horno microondas debe estar colocada cerca de la pared. No cubra ni bloquee ninguna de las aperturas del aparato. No retire los pies del horno.
5. No utilice el horno sin que la bandeja de cristal, el soporte del rodillo y el eje estén en su sitio.
6. Asegúrese de que el cable de alimentación no esté dañado ni discurra por debajo del horno o por encima de superficies caliente o afiladas.
7. El enchufe debe estar accesible, de modo que pueda desconectarse fácilmente en caso de emergencia.
8. No utilice el horno al aire libre.

3.2 Interferencias de radio

El horno microondas puede causar interferencias en su radio, televisor o aparatos similares. Cuando se den estas interferencias, puede reducirlas o eliminarlas tomando las siguientes medidas:

1. Limpie la puerta y la superficie de sellado del horno.
2. Reoriente la antena de la radio o el televisor.
3. Reubique el horno microondas con respecto al receptor.
4. Aleje el horno microondas del receptor.
5. Enchufe el horno microondas en otra toma de corriente, de manera que el horno microondas y el receptor estén en diferentes ramas del circuito.

3.3 Instrucciones de conexión a toma de tierra

Este aparato debe conectarse a una toma de tierra. Este horno está equipado con un cable de alimentación provisto de un hilo de puesta a tierra y un enchufe con toma de tierra. Debe enchufarse a una toma de pared que haya sido debidamente instalada y conectada a tierra. En caso de cortocircuito, la conexión a una toma de tierra reduce el riesgo de descargas eléctricas al ofrecer una vía de escape a la corriente eléctrica. Se recomienda usar un circuito de alimentación independiente para el horno. El uso de alta tensión es peligroso y puede causar incendios u otros accidentes que dañen el horno.



ADVERTENCIA: El uso inadecuado del enchufe con toma de tierra aumenta el riesgo de sufrir una descarga eléctrica.



Si tiene alguna duda sobre la conexión a tierra o las instrucciones eléctricas, consulte a un electricista o una persona cualificada.

3 Instalación y conexión



Ni el fabricante ni el comerciante se hacen responsables de los daños en el horno o las lesiones personales causadas por la no observancia de los procedimientos de las conexiones eléctricas.

Los hilos de este cable eléctrico siguen el siguiente código de colores:

Verde y amarillo = TIERRA

Azul = NEUTRO

Marrón = CORRIENTE

3.4 Principios de la cocina con microondas

1. Coloque los alimentos cuidadosamente. Coloque las zonas más gruesas de los alimentos hacia fuera del plato.
2. Vigile el tiempo de cocción. Cocine durante el periodo de tiempo más corto indicado y prolongue la cocción si fuese necesario. Los alimentos cocinados en exceso pueden humear o prender.
3. Cubra los alimentos durante su cocción. Las cubiertas evitan las salpicaduras y ayudan a que la cocción de los alimentos sea uniforme.
4. Dé la vuelta una vez a los alimentos durante la cocción con microondas para acelerar la cocción de alimentos como el pollo o las hamburguesas. A los platos más voluminosos, como el asado, hay que darles la vuelta por lo menos una vez.
5. Durante la cocción, remueva los alimentos como las albóndigas de la parte superior a la inferior y del centro al exterior del plato.

3.5 Antes de llamar al servicio técnico

Si el horno no funciona:

1. Compruebe que el horno esté bien enchufado. Si no lo está, retire el enchufe de la toma, espere 10 segundos y vuelva a enchufarlo con firmeza.

2. Compruebe si hay algún fusible fundido o si se ha disparado un disyuntor en su instalación eléctrica. Si no observa ninguna de esas anomalías, compruebe la toma eléctrica enchufando en ella otro aparato.

3. Compruebe que el panel de control esté programado correctamente y el temporizador esté fijado.

4. Compruebe que la puerta esté firmemente cerrada y con el cierre de seguridad de la puerta engranado. De lo contrario, la energía de microondas no fluirá al interior del horno.

SI NINGUNA DE LAS ACCIONES ANTERIORES DA RESULTADO, PÓNGASE EN CONTACTO CON EL AGENTE DEL SERVICIO TÉCNICO AUTORIZADO. NO INTENTE AJUSTAR O REPARAR EL HORNO POR SU CUENTA.

3.6 Guía de utensilios

1. Las microondas no pueden atravesar el metal. Use únicamente utensilios aptos para su uso en hornos microondas. No se permite el uso en hornos microondas de contenedores metálicos de alimentos y bebidas. Este requisito no se aplica si el fabricante especifica las medidas y formas adecuadas para los recipientes metálicos empleados para la cocción en hornos microondas.
2. Las microondas no pueden atravesar el metal, por tanto no se deben usar utensilios metálicos o platos con adornos metálicos.
3. No use productos de papel reciclado al cocinar con microondas, ya que pueden contener pequeños fragmentos de metal que podrían causar chispas o fuego.
4. Se recomienda utilizar platos redondos u ovalados en vez de platos cuadrados o rectangulares, ya que en estos los alimentos ubicados en las esquinas tienden a cocinarse en exceso.

3 Instalación y conexión

5. Puede usar tiras estrechas de papel de aluminio para evitar la cocción excesiva de las zonas expuestas, pero hágalo con precaución, evite usar demasiadas tiras y mantenga una distancia de 2,54 cm entre el aluminio y la cavidad del horno.

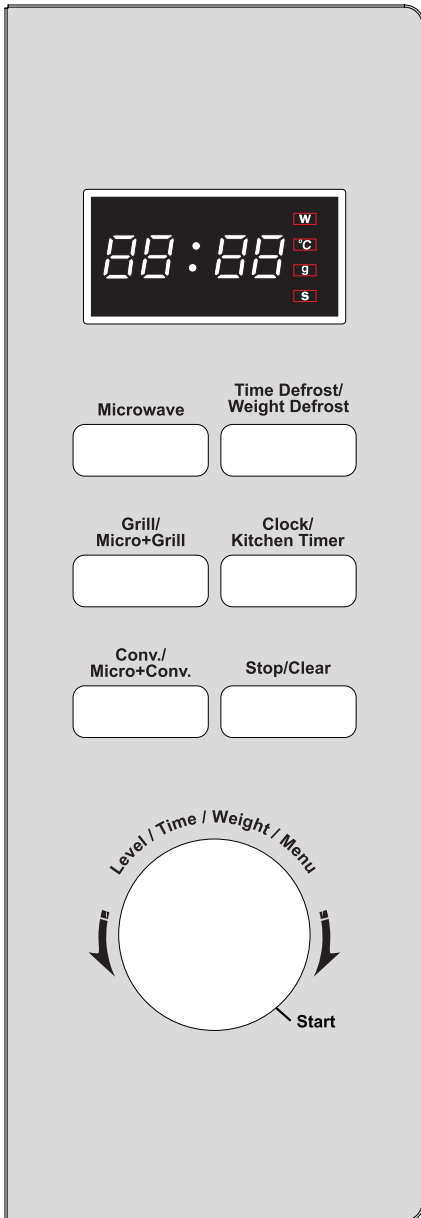
La siguiente lista es una guía general que le ayudará a seleccionar los utensilios correctos.

Utensilio	Microondas	Parrilla	Convección	Combinación*
Vidrio resistente al calor	Sí	Sí	Sí	Sí
Vidrio no resistente al calor	No	No	No	No
Cerámica resistente al calor	Sí	Sí	Sí	Sí
Plato de plástico apto para microondas	Sí	No	No	No
Papel de cocina	Sí	No	No	No
Bandeja de metal	No	Sí	Sí	No
Bandeja de horneado	No	Sí	Sí	No
Papel de aluminio y recipiente de aluminio	No	Sí	Sí	No

* Combinación: aplicable a la cocción tanto «microondas+parrilla» como «microondas+convección».

4 Funcionamiento

4.1 Panel de control



4.2 Pantalla de acción de menú

- Se muestran el tiempo de cocción, la potencia, los indicadores de acción y la hora.

«Microondas»

- Pulse este botón para ajustar el programa de cocción con microondas.

«Reloj/Temporizador de cocina»

- Pulse para fijar la hora del reloj.
- Pulse para fijar el temporizador de cocina.

Conv/Micro + Conv.

- Pulse para programar la cocción por convección.
- Pulse para seleccionar uno de los cuatro ajustes de cocción combinada.

«Parrilla/Micro+Parrilla»

- Pulse para ajustar el programa de la parrilla.
- Pulse para seleccionar uno de los dos ajustes de cocción combinada.

«Parar/Borrar»

- Pulse para cancelar el ajuste o restablecer el horno antes de ajustar un programa de cocción.
- Pulse una vez para detener temporalmente la cocción, o dos veces para cancelar por completo la cocción.

«Nivel/Tiempo/Peso/Menú» (mando)

- Gire el mando para introducir el tiempo de cocción.
- Gire el mando para seleccionar un menú de cocción automática.
- Gire el mando para seleccionar un nivel de potencia de cocción mediante microondas.
- Gire el mando para fijar la temperatura de cocción por convección.

«Inicio» (el mando)

- Pulse una vez para iniciar un programa de cocción.
- Púselo varias veces para establecer el tiempo de cocción y cocine inmediatamente a plena potencia

4 Funcionamiento

Tiempo de descongelación/Peso de descongelación

- Pulse una vez para establecer el programa de descongelación basado en el tiempo introducido.
- Pulse dos veces para establecer el programa de descongelación basado en el peso introducido.

4.3 Cómo fijar los controles del horno

- Al enchufar por primera vez el horno, se escuchará un pitido y la pantalla mostrará «1:01».
- Durante la cocción, si pulsa «Parar/Borrar» una vez, el programa se pondrá en pausa. Si pulsa el botón «Inicio» se reanuda la cocción, pero si pulsa «Parar/Borrar» dos veces, el programa se cancelará.
- Una vez finalizada la cocción, el sistema emitirá pitidos para llamar la atención de los usuarios cada dos minutos, hasta que el usuario pulse el botón «Parar/Borrar» o abra la puerta.
- El sistema de control electrónico del horno microondas dispone de función de enfriamiento. En los modos de cocción con un tiempo de cocción superior a 2 minutos, al abrir la puerta del horno o al poner en pausa el programa de cocción el ventilador del horno operará automáticamente durante aproximadamente 3 minutos para enfriar el horno, con el fin de prolongar su vida útil.

4.4 Ajuste de la hora

El reloj muestra la hora en formato de 12 o 24 horas. Puede ajustar la hora pulsando el botón «Reloj/Temporizador de cocina».

POR EJEMPLO: Supongamos que desea fijar la hora del horno a las 8:30.

1. Pulse el botón «Reloj/Temporizador de cocina» y manténgalo pulsado durante 3 segundos para seleccionar el reloj de 12 horas (si desea seleccionar el reloj de 24 horas, pulse nuevamente el botón).

2. Gire el mando «Nivel/Tiempo/Peso/Menú» para fijar el dígito de las horas (8).
3. Pulse el botón «Reloj/Temporizador de cocina» una vez para confirmar el ajuste de las horas.
4. Gire el mando «Nivel/Tiempo/Peso/Menú» para ajustar los minutos (30).
5. Pulse el botón «Reloj/Temporizador de cocina» una vez para confirmar el ajuste.



Para comprobar la hora con el horno en funcionamiento, pulse el botón «Reloj/Temporizador de cocina»; la hora actual se mostrará durante un momento en la pantalla de visualización.

4.5 Inicio rápido

En los programas de cocción de inicio rápido, el horno cocinará los alimentos rápidamente a potencia ALTA (100 % de la potencia de salida).

Pulse el mando «Inicio» varias veces para ajustar el tiempo de cocción; el horno empieza a funcionar automáticamente a plena potencia. El tiempo máximo de cocción que puede introducir es de 10 minutos.

4.6 Cocción con microondas

Puede establecer el nivel y el tiempo de cocción para la cocción con microondas. El tiempo máximo de cocción es de 95 minutos.

Por ejemplo, supongamos que desea cocinar durante 10 minutos a una potencia de microondas de 450 W.

1. Pulse el botón «Microondas» una vez y gire el mando «Nivel/Tiempo/Peso/Menú» para seleccionar el nivel de potencia de cocción.
2. Pulse «Inicio» para confirmar.
3. Gire el mando «Nivel/Tiempo/Peso/Menú» para establecer el tiempo de cocción.
4. Pulse «Inicio».

4 Funcionamiento



Dispone de 11 niveles de potencia de cocción (P100, P-90, P-80, P-70, P-60, P-50, P-40, P-30, P-20, P-10, P-00) a escoger girando el mando «Nivel/Tiempo/Peso/Menú».

Durante la cocción, puede comprobar el nivel de potencia tocando el botón «Microondas».

4.7 Descongelación por peso

El horno le permite descongelar alimentos en función del peso introducido por el usuario. El tiempo de descongelación y el nivel de potencia se ajustan automáticamente una vez la categoría y el peso de los alimentos quedan programados. El peso de los alimentos congelados puede fijarse entre 100 y 1800 gramos.

1. En el modo de espera, pulse dos veces el botón Descongelación por tiempo/Descongelación por peso.
2. Gire el mando «Nivel/Tiempo/Peso/Menú» para seleccionar el peso de los alimentos que desee descongelar.
3. Pulse «Inicio» para confirmar.



El horno se detiene durante la descongelación para permitir al usuario dar la vuelta a los alimentos con el fin de conseguir una descongelación uniforme. Pulse «Inicio» para reanudar la descongelación por el tiempo restante.

El horno no cocinará bien si deposita alimentos con un peso superior al máximo recomendado.

4.8 Descongelación por tiempo

El horno le permite descongelar alimentos en función del tiempo introducido por el usuario.

1. En el modo en espera, pulse el botón «Descongelación/Descongelación por peso» una vez.

2. Gire el mando «Nivel/Tiempo/Peso/Menú» para introducir el tiempo de descongelación.
3. Pulse «Inicio» para confirmar.



El horno se detiene durante la descongelación para permitir al usuario dar la vuelta a los alimentos con el fin de conseguir una descongelación uniforme. Pulse «Inicio» para reanudar la descongelación por el tiempo restante.

4.9 Parrilla

El horno le permite asar a la parrilla alimentos en función del tiempo introducido por el usuario. El tiempo máximo de cocción es de 95 minutos.

1. Pulse una vez el botón «Parrilla/Micro+Parrilla».
2. Pulse «Inicio» para confirmar.
3. Gire el mando «Nivel/Tiempo/Peso/Menú» para introducir el tiempo de cocción.
4. Pulse «Inicio».

4.10 Micro + Parrilla

El tiempo máximo de cocción es de 95 minutos. Esta característica le permite combinar la cocción con parrilla y con microondas en dos ajustes diferentes.

4.10.1 Combinación 1

30 % de tiempo de cocción con microondas, 70 % de cocción con parrilla. Úselo para pescado, patatas o platos gratinados.

Supongamos que desea cocinar con la Combinación 1 durante 25 minutos.

1. Pulse el botón «Parrilla/Micro+Parrilla» dos veces y luego gire el mando «Nivel/Tiempo/Peso/Menú» hasta que la pantalla muestre «Gr2».
2. Pulse «Inicio» para confirmar.
3. Gire el mando «Nivel/Tiempo/Peso/Menú» para introducir el tiempo de cocción.
4. Pulse el botón «Inicio».

4 Funcionamiento

4.10.2 Combinación 2

55 % del tiempo para cocción «Microondas», 45 % del tiempo para cocción a la parrilla. Úselo para postres, tortillas, patatas al horno y carne de ave. Supongamos que desea cocinar con la Combinación 2 durante 12 minutos.

1. Pulse el botón «Parrilla/Micro+Parilla» dos veces y gire el mando «Nivel/Tiempo/Peso/Menú» hasta que la pantalla muestre «Gr3».
2. Pulse «Inicio» para confirmar.
3. Gire el mando «Nivel/Tiempo/Peso/Menú» para introducir el tiempo de cocción.
4. Pulse el botón «Inicio».

4.11 Convección

Durante la cocción por convección, el aire caliente circula por la cavidad del horno para dorar los alimentos y dejarlos crujientes con rapidez y de forma uniforme. Este horno puede programarse a diez temperaturas de cocción diferentes. El usuario puede fijar un tiempo de cocción máximo de 95 minutos.

Uso de la cocción por convección

Para usar la cocción por convección, pulse el botón «Conv/Micro+Conv.» una vez y gire el mando «Nivel/Tiempo/Peso/Menú» hacia la derecha para introducir la temperatura de convección que desee (110 °C, 120 °C, 130 °C, 140 °C, 150 °C, 160 °C, 170 °C, 180 °C, 190 °C, 200 °C).

Supongamos que desea cocinar a 180 °C durante 40 minutos.

1. En el modo en espera, coloque los alimentos en el horno y ciérrelo.
2. Pulse el botón «Conv/Micro+Conv.» una vez y gire el mando «Nivel/Tiempo/Peso/Menú» a la derecha para introducir la temperatura de convección de 180 °C.
3. Pulse «Inicio» para confirmar.

4. Gire el mando «Nivel/Tiempo/Peso/Menú» para introducir el tiempo de cocción (el tiempo máximo que se puede introducir es de 95 minutos).

5. Pulse el botón «Inicio».



Puede comprobar la temperatura de convección durante la cocción pulsando el botón «Conv/Micro+Conv.».

Precalentamiento y cocción mediante convección

Su horno puede programarse para combinar el precalentamiento y la cocción por convección.

Supongamos que desea precalentar el horno a 170 °C y a continuación cocinar durante 35 minutos.

1. En el modo en espera, coloque los alimentos en el horno y ciérrelo.
2. Pulse el botón «Conv/Micro+Conv.» una vez y gire el mando «Nivel/Tiempo/Peso/Menú» hacia la derecha para introducir la temperatura de convección de 170 °C.
3. Pulse el botón «Inicio» para confirmar y a continuación pulse «Inicio» de nuevo.
4. Cuando el horno alcance la temperatura designada, emitirá una señal acústica durante 5 segundos como recordatorio para el usuario.
5. Abra la puerta del horno y deposite el recipiente con los alimentos en el centro del plato giratorio.
6. Gire el mando «Nivel/Tiempo/Peso/Menú» para introducir el tiempo de cocción.
7. Pulse el botón «Inicio».

4 Funcionamiento



El tiempo de precalentamiento máximo es de 30 minutos. El tiempo de precalentamiento no puede preseleccionarse. Cuando el horno alcanza la temperatura de precalentamiento, emitirá una señal acústica durante 5 segundos; si no se lleva a cabo ninguna otra acción durante los siguientes 30 minutos, el programa se cancelará automáticamente.

4.12 Micro+convección

Este horno tiene cuatro ajustes preprogramados que facilitan el uso automático tanto con calor por convección como con microondas. El tiempo máximo de cocción que el usuario puede ajustar es de 95 minutos.

Pulse el botón «Conv/Micro+Conv.» dos veces y a continuación gire el mando «Nivel/Tiempo/Peso/Menú» para programar la temperatura de convección (200 C→170 C→140 C→110 C).

1. En el modo en espera, coloque los alimentos en el horno y ciérrelo.
2. Pulse el botón «Conv/Micro+Conv.» dos veces
3. Gire el mando «Nivel/Tiempo/Peso/Menú» para indicar la temperatura de convección.
4. Pulse «Inicio» para confirmar.
5. Gire el mando «Nivel/Tiempo/Peso/Menú» para introducir el tiempo de cocción.
6. Pulse el botón «Inicio».



Durante la cocción, puede comprobar la temperatura de convección durante la cocción pulsando el botón «Conv/Micro+Conv.».

4.13 Ajuste del temporizador de cocina

Puede ajustar el temporizador del horno para que le recuerde el tiempo de cocción. El tiempo máximo que puede fijar es de 95 minutos.

Supongamos que desea ajustar el temporizador de la cocina a 30 minutos:

1. Pulse el botón «Reloj/Temporizador de cocina» una vez.
2. Gire el mando digital «Nivel/Tiempo/Peso/Menú» para establecer un tiempo de 30:00.
3. Pulse «Inicio» para confirmar.



Con el temporizado en marcha, puede pulsar el botón «Reloj/Temporizador de cocina» para ver el tiempo del temporizador durante 5 segundos y pulsar «Parar/Borrar» en el plazo de 5 segundos para cancelarlo.

4.14 Bloqueo para niños

Úselo para evitar que los niños pequeños puedan manipular el horno de forma inadvertida. El indicador CHILD LOCK (bloqueo para niños) se iluminará en la pantalla, y el horno no podrá manipularse mientras el bloqueo esté activado.

Para ajustar el bloqueo para niños:

En el modo en espera, si no se realiza ninguna acción en el plazo de un minuto, el horno accederá al modo de bloqueo para niños y todos los botones quedarán inoperativos.

Para cancelar el bloqueo para niños:

En el modo de bloqueo para niños, la apertura o cierre de la puerta del horno puede cancelar el programa.

4.15 Protección

4.15.1 Protección frente al sobrecalentamiento

Cuando el sistema pasa al estado de protección frente a temperaturas extremadamente altas, la pantalla digital muestra «E01» y sigue pitando hasta haber solucionado el problema; a continuación, pulse el botón «Parar/Borrar», el sistema regresa al modo de funcionamiento normal.

4 Funcionamiento

4.15.2 Protección frente a bajas temperaturas

Cuando el sistema pasa al estado de protección frente a temperaturas extremadamente bajas, la pantalla digital muestra «E02» y sigue pitando hasta pulsar «Parar/Borrar»; el sistema regresa al modo en espera normal.

4.15.3 Protección frente a un mal funcionamiento del sensor

El sistema pasa al modo de protección cuando el sensor del sistema está cortocircuitado. La pantalla muestra «E03» y sigue pitando hasta que pulse el botón «Parar/Borrar»; el sistema regresará al modo en espera normal.

4.16 Cocción automática

Para los siguientes alimentos o modos de cocción no es necesario que introduzca la potencia y el tiempo de cocción. Trate de indicarle al horno qué desea cocinar y cuánto pesan los alimentos. El horno empieza a trabajar una vez pulse la tecla «Inicio».

Por ejemplo:

1. En el modo en espera, gire el mando «Nivel/Tiempo/Peso/Menú» hacia la izquierda para seleccionar el código de los alimentos
2. Pulse «Inicio» una vez.
3. Gire el mando «Nivel/Tiempo/Peso/Menú» para seleccionar el peso que desee.
4. Pulse el botón «Inicio».

4 Funcionamiento

Menú de cocción automática

Código	Alimento	
A-1	Leche/Café (200 ml / taza)	NOTAS: 1. Para leche/café y patatas, la pantalla mostrará el número de servicios en vez del peso de los alimentos. 2. En la opción A-7, el horno se detiene durante la descongelación para permitir al usuario dar la vuelta a los alimentos con el fin de lograr una descongelación uniforme. A continuación, pulse «Inicio» para proseguir hasta agotar el tiempo restante 3. El resultado de la cocción automática depende de factores tales como la fluctuación del voltaje de alimentación, la forma y tamaño de los alimentos, sus preferencias personales y el grado de cocción de ciertos alimentos, así como el modo en que coloque los alimentos en el interior del horno. Si no está satisfecho con los resultados, ajuste un poco el tiempo de cocción en consecuencia.
A-2	Palomitas (99 g)	
A-3	Espagueti (g)	
A-4	Patatas (230 g/unidad)	
A-5	Recalentamiento automático (g)	
A-6	Pescado (g)	
A-7	Pollo (g)	
A-8	Pizza (g)	
A-9	Pastel (475 g)	

5 Limpieza y mantenimiento

5.1 Limpieza y cuidados

1. Apague el horno y desenchúfelo de la toma de corriente antes de proceder a su limpieza.
2. Mantenga limpio el interior del horno. Elimine con un paño húmedo las salpicaduras o derramamientos de alimentos y líquidos adheridos a las paredes del horno. Puede usar detergente suave si el horno está muy sucio. Evite el uso de pulverizadores u otros productos abrasivos ya que podrían manchar, rayar o deslustrar la superficie de la puerta.
3. Limpie las superficies externas del horno con un paño húmedo. Para evitar dañar las piezas operativas del interior del horno, no permita que penetre agua por las aberturas de ventilación.
4. Limpie con frecuencia ambos lados de la puerta y la ventana, las juntas de la puerta y las partes adyacentes con un trapo húmedo para eliminar alimentos derramados o salpicaduras. No utilice productos de limpieza abrasivos.
5. No use limpiadores de vapor.
6. No permita que el panel de control se humedezca, y límpielo con un trapo suave y húmedo. Cuando limpie el panel de control, deje la puerta del horno abierta para evitar que este se ponga en funcionamiento por accidente.
7. En caso de que se acumule vapor en el interior o en los alrededores del exterior de la puerta del horno, elimínelo con un paño suave. Esto puede ocurrir cuando el horno microondas se utiliza en condiciones de mucha humedad, y es algo normal.
8. Es necesario retirar de vez en cuando la bandeja de cristal para su limpieza. Lave la bandeja con agua caliente y jabón o bien en un lavavajillas.
9. El anillo del rodillo y el suelo del horno deben limpiarse con regularidad para evitar ruidos excesivos. Lave la superficie inferior del horno con un detergente suave. El anillo del rodillo debe lavarse con agua caliente y jabón o bien en un lavavajillas. Cuando retire el anillo del rodillo de la parte inferior de la cavidad del horno para su limpieza, asegúrese de volverlo a colocar en su posición correcta.
10. Puede eliminar los olores de su horno depositando en su interior un recipiente apto para microondas con agua y el zumo y la corteza de un limón y calentándolo durante 5 minutos. Seque bien la superficie con un paño suave.
11. Cuando sea necesario, solicite la sustitución de la bombilla del horno a un distribuidor.
12. Limpie el horno regularmente y retirar los restos de comida. En caso de no mantener limpio el horno, su superficie podría deteriorarse, lo cual podría acortar su vida útil y posiblemente derivar en una situación de riesgo.
13. No arroje este aparato a la basura junto con sus residuos domésticos; debe llevarlo a un centro de recogida de residuos municipal.
14. La primera vez que use el horno microondas con la función de parrilla, es posible que advierta un poco de humo y cierto olor. Se trata de un fenómeno normal, ya que el horno está fabricado con una placa de acero recubierta de aceite lubricante, que al quemarse genera el humo y el olor. Este fenómeno cesará con el uso.

5.2 Almacenamiento

- Si no va a utilizar el aparato durante un periodo prolongado de tiempo, guárdelo cuidadosamente.
- Asegúrese de que el aparato esté desenchufado, frío y totalmente seco.
- Guarde el aparato en un lugar fresco y seco.
- Mantenga el aparato fuera del alcance de los niños.

5 Limpieza y mantenimiento

5.3 Manejo y transporte

- Durante el manejo y el transporte, lleve el aparato en su embalaje original. El embalaje del aparato lo protege de daños físicos.
- No coloque cargas pesadas en el aparato o en el embalaje. El aparato podría dañarse.
- Dejar caer el aparato causará que éste no funcione o causará un daño permanente.

6 Resolución de problemas

Normal	
El horno microondas interfiere con la recepción de la señal de televisión.	La recepción de las señales de radio y televisión pueden sufrir interferencias cuando el horno microondas está funcionando. Es similar a la interferencia producida por pequeños electrodomésticos, como la batidora, la aspiradora y el ventilador. Es algo normal.
La luz del horno baja su potencia.	Durante la cocción microondas de baja potencia, es posible que la luz del horno también disminuya su potencia. Es algo normal.
El vapor se acumula en la puerta, el aire caliente sale por los orificios de salida de vapor	Durante la cocción, puede emanar vapor de los alimentos. La mayor parte de este vapor saldrá por los orificios de salida de vapor. Pero algunos vapores podrán acumularse en un lugar frío como la puerta del horno. Es algo normal.
El horno se inicia accidentalmente sin alimentos en su interior.	No se puede hacer funcionar el aparato sin alimentos en su interior. Es muy peligroso.

Problema	Motivo posible	Solución
No se puede iniciar el horno.	(1) El cable de alimentación no está enchufado correctamente.	Desenchúfelo. Luego, enchúfelo nuevamente por 10 segundos.
	(2) El fusible está quemado o el disyuntor se ha activado.	Sustituya el fusible o restablezca el disyuntor (reparado por un operador profesional de nuestra empresa).
	(3) Problemas con el tomacorriente.	Compruebe la toma eléctrica enchufando otros aparatos.
El horno no calienta.	(4) La puerta no está cerrada correctamente.	Cierre la puerta correctamente.
El plato giratorio de cristal hace ruido durante el funcionamiento del horno microondas.	(5) El plato giratorio y la parte inferior del horno están sucios.	Consulte la sección "Limpieza y mantenimiento" para limpiar las partes sucias.



**Contacto para asistencia técnica:
902 877 665/ 932 992 581**

CONDICIONES DE GARANTÍA - ESPAÑA

El presente certificado cubre la garantía de reparación de su electrodoméstico durante dos años, a partir de la fecha de venta, contra todo defecto de funcionamiento proveniente de fabricación o materiales; o de sustitución del aparato, salvo que una de estas opciones resulte imposible o desproporcionada respecto de la otra. Cuando usted detecte un defecto o anomalía en el aparato contacte de forma inmediata con nosotros, un plazo de dos meses es el límite para informarnos de la falta de conformidad. El cargo de desplazamiento está incluido en la reparación, excepto para pequeños electrodomésticos que pueden ser transportados al taller del servicio oficial de la marca. En caso de sustitución, el plazo de garantía se suspende y el nuevo aparato mantendrá el periodo de vigencia del aparato sustituido, y como mínimo 6 meses de garantía.

La presente garantía sólo será válida si se presenta factura, ticket de compra o el albarán de entrega del producto correspondiente si éste fuera posterior a la fecha de factura. La presente garantía es válida en el territorio español y portugués para los aparatos distribuidos por Beko Electronics España S.L.. La garantía sólo tendrá validez sobre el primer comprador o adquirente del producto. La garantía será válida para aparatos adecuados a las condiciones climáticas y medioambientales en que estén ubicados.

EXCLUSIONES DE LA GARANTÍA

El coste de la reparación será a cargo del usuario en los siguientes casos:

- Los aparatos utilizados para uso profesional o no exclusivamente doméstico, en establecimientos públicos, industriales o comerciales.
- Los aparatos desmontados o manipulados por personas ajenas a los servicios técnicos expresamente autorizados.
- Las instalaciones, transporte, sustitución de aparatos, puestas en marcha, cambio de sentido de puertas.
- Intervenciones de mantenimiento o de información sobre el uso de los aparatos.
- Cambio de inyectores en aparatos de gas.
- Las averías provocadas por falta de mantenimiento o limpieza o aquellas provocadas por un uso indebido, sobrecarga, abandono o de manera no conforme a las instrucciones de uso o de instalación de los aparatos.
- Las averías producidas por causas fortuitas, siniestros de fuerza mayor o derivados de instalación incorrecta y en general, averías por causas ajenas al propio aparato.
- Las averías provocadas por conexiones que puedan presentar fluctuaciones, irregularidades o falta de uniformidad en el suministro, por ejemplo: suministro de agua impulsado por grupos de presión, energía solar, energía eólica, generadores eléctricos, u otro tipo de suministro no normalizado.
- La sustitución de materiales rotos o deteriorados por desgaste o uso normal del aparato tales como juntas, plásticos, gomas, correas, cristales, escobillas, bombillas, asas, tiradores, tapas de quemadores, filtros, rejillas, ánodos de sacrificio (magnesio o similares) de calentadores o calderas, etc.
- Los aparatos que presenten oxidación, o daños por corrosión en esmaltes o pinturas, que puedan ser provocados por efectos químicos o electroquímicos del agua o cualquier otra sustancia, o aceleradas por circunstancias ambientales o climáticas no propicias.
- Defectos estéticos en serigrafía o pintura.
- Los daños de transporte o manipulación, golpes, etc.
- Los aparatos deben instalarse de forma accesible para su reparación, debiendo asumir el usuario los costes necesarios para el acceso al aparato para su reparación y sustitución.

La presente garantía no afecta a los derechos de que dispone el consumidor conforme a lo previsto en el Real Decreto 1/2007, de 16 de noviembre, por el que se aprueba el texto refundido de la Ley General para la Defensa de los Consumidores y Usuarios y otras leyes complementarias, y la Ley 3/2014 que la modifica.

El Servicio Oficial de Asistencia Técnica resolverá cualquier incidencia que pudiera precisar su electrodoméstico siempre que el aparato esté instalado de forma accesible.

Para asegurarse que su electrodoméstico va a ser intervenido por un técnico oficial autorizado, rogamos solicite el carnet avalado por ANFEL (Asociación Nacional de Fabricantes de Electrodomésticos) a nuestros técnicos.

Las marcas BEKO, ALTUS, ARDEM, BLOMBERG, NORTLINE y GRUNDIG se distribuyen por Beko Electronics España S.L.

DATOS APARATO (a rellenar por el Distribuidor):

Titular:		Sello Establecimiento:
Modelo:	Núm. serie:	
Establecimiento:	Fecha de compra:	

El garante e importador de su electrodoméstico es: BEKO ELECTRONICS ESPAÑA S.L. Calle Provenza nº 388 3º Barcelona 08025, España. El producto ha sido fabricado por ARÇELIK A.S (Arçelik A.S.Sütlüce Karaağaç Cad. No:2-6 34445 Beyoğlu, Istanbul, Turkey).

Conózanos mejor en nuestra página: www.beko.es. Conserve este documento, es importante para usted.



**Contacte a assistência técnica:
00351 225191300/
00351 225191309**

CONDIÇÕES DE GARANTIA - PORTUGAL

Este certificado cobre a garantia de reparação do seu eletrodoméstico por dois anos a contar da data de compra, contra defeitos de funcionamento provenientes do fabrico ou dos materiais; ou de substituição do dispositivo, a menos que uma dessas opções seja impossível ou desproporcionada em relação à outra. Quando detetar um defeito ou anomalia no aparelho entre imediatamente em contacto connosco, existe um prazo limite de dois meses para nos informar sobre a falta de conformidade. O valor da deslocação está incluído na reparação, com exceção de pequenos aparelhos que podem ser transportados para a oficina do serviço oficial da marca. Em caso de substituição, o período de garantia fica suspenso e o aparelho irá manter o prazo de validade do aparelho substituído e no mínimo 6 meses de garantia.

Esta garantia só será válida se a fatura, recibo de venda ou a entrega do produto em questão for posterior à data da fatura. Esta garantia é válida em território espanhol e português para aparelhos distribuído pela Beko Electronics Espanha SL. A garantia só é válida para o primeiro comprador ou adquirente do produto. A garantia é válida para dispositivos adaptados às condições climáticas e ambientais em que se situam.

EXCLUSÕES DA GARANTIA

O custo da reparação será pago pelo utilizador nos seguintes casos:

- Aparelhos utilizados para uso profissional ou não exclusivamente doméstico, em estabelecimentos comerciais, industriais ou públicos.
- O equipamento desmontado ou adulterado por alguém que não seja expressamente autorizado pelos serviços técnicos.
- A instalação, transporte, substituição de equipamento, colocação em funcionamento, alteração do sentido das portas.
- Intervenções de manutenção ou informações sobre a utilização dos aparelhos.
- Alteração de injetores em aparelhos a gás.
- As avarias causadas pela falta de manutenção ou limpeza, ou aquelas causadas por um uso inadequado, sobrecarga, abandono ou de forma a não respeitar as instruções de uso ou instalação dos aparelhos.
- As avarias provocadas por causas acidentais, sinistros de força maior ou resultantes de instalação inadequada e em geral, avarias por razões não relacionadas com o produto.
- As avarias causadas por ligações que podem apresentar flutuações, irregularidades ou falta de uniformidade no fornecimento, por exemplo: abastecimento de água, impulsionado por pressão, energia solar, energia eólica, geradores de energia elétrica ou outro tipo de fornecimento não-padrão.
- Os materiais quebrados ou danificados por desgaste ou uso normal do aparelho tais como juntas, plásticos, borracha, correias, vidros, pincéis, lâmpadas, asas, puxadores, tampas de queimadores, filtros, grades, etc.
- Os aparelhos que apresentem oxidação, ou danos por corrosão em esmaltes ou tintas, que possam ter sido causados por efeitos químicos ou eletroquímicos da água ou de qualquer outra substância, ou aceleradas por circunstâncias ambientais ou climáticas não propícias.
- Defeitos estéticos em serigrafia ou pintura.
- Os danos causados por transporte ou manuseio, colisões, etc.
- Os aparelhos devem ser instalados de forma acessível em caso de reparação e o utilizador deve assumir os custos necessários para aceder ao aparelho para reparação e substituição.

As marcas BEKO, ALTUS, ARDEM, BLOMBERG, NORTLINE e GRUNDIG são distribuídas por Beko Electronics Espanha S.L.

DADOS DO APARELHO (a ser preenchido pelo Distribuidor):

Detentor:		Carimbo do estabelecimento:
Modelo:	N.º série:	
Estabelecimento:	Data de compra:	

O fiador e o importador do seu eletrodoméstico é: BEKO ELECTRONICS ESPAÑA S.L. Calle Provenza nº 388 3º Barcelona 08025, Espana. O produto foi fabricado por ARÇELIK A.S (Arçelik A.S.Sütlüce Karaağaç Cad. No:2-6 34445 Beyoğlu, Istanbul, Turquia).

Conheça-nos melhor na nossa página: www.beko.es. Conserve este documento, é importante para si.




Vă rugăm să citiți mai întâi acest manual!

Stimate client,

Vă mulțumim pentru că ați cumpărat un produs Beko. Sperăm să obțineți cele mai bune rezultate de la produsul dumneavoastră, care a fost fabricat la o calitate înaltă și cu tehnologii performante. În acest scop, vă rugăm să citiți cu grijă și în întregime acest manual de utilizare și toate celelalte documente însoțitoare înainte de a utiliza produsul și să le păstrați pentru consultări ulterioare. Dacă predați produsul altei persoane, oferiți-i și manualul de utilizare. Respectați toate avertismentele și informațiile din manualul de utilizare.

Semnificația simbolurilor

Următoarele simboluri sunt utilizate în diverse părți ale acestui manual de utilizare:

	Informații importante și sugestii utile cu privire la utilizare.
	Avertismente pentru situații periculoase privitoare la siguranța vieții și a proprietății.
	Avertisment pentru suprafețe fierbinți.



Acest produs a fost fabricat în fabrici moderne, prietenoase cu mediul înconjurător, fără a dăuna naturii.

Acest produs este conform cu regulamentul DEEE.



Nu conține PCB.

1 Instrucțiuni importante referitoare la siguranță și mediul înconjurător

Instrucțiuni importante cu privire la siguranță Citiți cu atenție și păstrați-le pentru referință viitoare

Această secțiune conține instrucțiuni privind siguranța care vă vor proteja împotriva riscului de incendiu, electrocutării, expunerii la scurgerea energiei microundelor, vătămărilor corporale și pagubelor materiale. Nerespectarea acestor instrucțiuni invalidează garanția furnizată.

1.1 Siguranță generală

- Cuptorul cu microunde este destinat doar pentru încălzirea alimentelor și băuturilor. Uscarea alimentelor sau articolelor de îmbrăcăminte și încălzirea pernelor electrice, papucilor, bureților, textilelor umede și a altor articole similare pot genera riscuri de rănire, aprindere sau incendiu.

Acest produs este destinat utilizării în scop casnic și aplicațiilor similare cum ar fi:

- Bucătării pentru personalul din magazine, birouri sau alte medii de lucru;

- Ferme
- De către clienți în hoteluri, moteluri sau alte medii de tip rezidențial;
- Medii de tip pensiune.
- Nu încercați să porniți cuptorul atunci când ușa este deschisă; în caz contrar, puteți fi expus la energia periculoasă a microundelor. Dispozitivele de siguranță nu trebuie dezactivate sau modificate.
- Nu puneți obiecte între partea frontală și ușa cuptorului. Nu permiteți formarea murdăriei sau resturilor agentului de curățare pe suprafețele de închidere.
- Orice lucrări de service, ce implică scoaterea panoului ce asigură protecție împotriva expunerii la energia microundelor, trebuie să fie efectuate de către persoane/service autorizate. Orice altă abordare este periculoasă.
- Produsul dumneavoastră este destinat gătirii, încălzirii și decongelării alimentelor în casă. Nu trebuie utilizat în scopuri comerciale. Producătorul nu va fi răspunzător pentru avariile care survin din utilizarea incorectă.

1 Instrucțiuni importante referitoare la siguranță și mediul înconjurător

- Nu utilizați acest produs afară, în baie, în medii umede sau locuri în care se poate uda.
- Nu va fi asumată nicio responsabilitate sau solicitare de garanție pentru avariile ce survin în timpul întrebuințării greșite sau a manevrării incorecte a produsului.
- Nu încercați niciodată să demontați produsul. Nu sunt acceptate solicitări de garanție pentru avarii cauzate de manevrarea incorectă a produsului.
- Utilizați doar componente originale sau componente recomandate de producător.
- În timpul utilizării, nu lăsați produsul nesupravegheat.
- Utilizați întotdeauna produsul pe o suprafață stabilă, dreaptă, curată uscată și aderentă.
- Acest produs nu trebuie utilizat cu un ceas exterior sau un sistem separat de control prin telecomandă.
- Înainte de prima utilizare a produsului, curățați toate componentele. Vă rugăm să consultați detaliile prezentate în secțiunea „Curățare și întreținere”.
- Utilizați acest produs doar pentru uzul destinat, așa cum este descris în acest manual.
- Nu utilizați substanțe chimice abrazive sau abur pentru curățarea produsului. Acest cuptor este destinat încălzirii și gătirii alimentelor. Nu este destinat uzului industrial sau în laborator.
- Nu utilizați produsul ca să uscați articole de îmbrăcăminte sau prosoape de bucătărie.
- În timpul utilizării, produsul devine foarte fierbinte. Fiți atenți să nu atingeți părțile fierbinți din interiorul cuptorului.
- Cuptorul dumneavoastră nu este destinat uscării nici unei viețuitoare.
- Nu utilizați cuptorul fără alimente.
- Folosiți numai ustensile adecvate utilizării în cuptoarele cu microunde.
- Ustensilele de gătire pot deveni fierbinți din cauza căldurii transferate de la alimentele încălzite. Pentru manipularea ustensilelor aveți nevoie de mănuși de bucătărie.
- Ustensilele vor fi verificate pentru a se asigura că sunt adecvate utilizării în cuptoarele cu microunde.

1 Instrucțiuni importante referitoare la siguranță și mediul înconjurător

- Nu așezați cuptorul pe plite sau alte produse de generare a căldurii. În caz contrar, acesta poate fi avariat și garanția devine nulă.
- Cuptorul cu microunde nu trebuie să fie așezat într-un dulap care nu corespunde cu instrucțiunile de montaj.
- Aburul poate ieși în momentul deschiderii capacelor sau foliei, după gătitul alimentelor.
- Atunci când scoateți alimente încălzite, utilizați mănuși.
- Atunci când produsul este în folosință, acesta și suprafețele accesibile pot fi foarte fierbinți.
- Atunci când produsul este în folosință, ușa și geamul extern pot deveni foarte fierbinți.
- Cuptoarele cu microunde de la Beko sunt conforme standardele de siguranță aplicabile; din acest motiv, în caz de orice avarii ale produsului sau ale cablului de alimentare, acesta trebuie reparat sau înlocuit de un dealer, un centru de service sau un service specializat sau autorizat similar, pentru evitarea oricărui pericol. Lucrările de reparații greșite sau efectuate de persoane necalificate pot cauza pericole sau riscuri utilizatorului.
- Asigurați-vă că tensiunea de alimentare corespunde cu informațiile furnizate pe plăcuța cu date tehnice a produsului.

Singura modalitate de deconectare a aparatului de la priză este scoaterea ștecherului de alimentare din priză.

1.1.1 Siguranță electrică

- Dacă cablul de alimentare este avariat, trebuie să fie înlocuit de producător sau agentul său de service sau o persoană cu o calificare similară pentru prevenirea apariției pericolului.
- Utilizați produsul doar cu o priză cu împământare.
- Nu utilizați aparatul atunci când cablul de alimentare sau aparatul în sine este avariat.
- Nu utilizați acest aparat cu un prelungitor.
- Nu atingeți niciodată aparatul sau priza cu mâinile umede.

1 Instrucțiuni importante referitoare la siguranță și mediul înconjurător

- Puneți aparatul într-o poziție în așa fel încât ștecherul să fie întotdeauna accesibil.
- Preveniți avarierea cablului de alimentare prin comprimare, deformare sau frecarea de margini tăioase. Țineți cablul de alimentare departe de suprafețele fierbinți și flacără deschisă.
- Asigurați-vă că nu există niciun pericol să scoateți cablul de alimentare accidental din priză și că nu se poate împiedica nimeni de el atunci când cuptorul este în folosință.
- Înainte de fiecare curățare și atunci când produsul nu este folosit, scoateți-l din priză.
- Pentru deconectarea aparatului, nu trageți de cablul de alimentare și nu înfășurați niciodată cablul în jurul produsului.
- Nu cufundați aparatul, cablul de alimentare sau ștecherul în apă sau alte lichide. Nu-l țineți sub apă curentă.
- Atunci când încălziți alimente în recipiente de plastic sau hârtie, verificați frecvent cuptorul deoarece există posibilitatea de aprindere.
- Înainte de introducerea în cuptor a pungilor adecvate pentru utilizare în cuptorul cu microunde, scoateți firele de sârmă și/sau mânerele metalice ale pungilor de hârtie sau plastic.
- Dacă observați fum, închideți sau scoateți din priză produsul și țineți ușa închisă pentru a înăbuși orice flacără.
- Nu utilizați interiorul cuptorului pentru depozitare. Atunci când cuptorul nu este în funcțiune, nu lăsați articole din hârtie, materiale de gătit sau alimente în cuptor.
- Înainte de consum și pentru a evita arsurile, conținutul biberoanelor și al borcanelor cu mâncare pentru bebeluși trebuie să fie amestecate și agitate, iar temperatura trebuie să fie verificată.
- Acest produs este un echipament ISM din Grupa 2 clasa B. Grupa 2 cuprinde tot echipamentul ISM (industrial, științific și medical) în care energia radio este generată intenționat și/sau utilizată sub formă de radiație electromagnetică pentru tratamentul materialului și echipamentul de eroziune prin scânteie.

1 Instrucțiuni importante referitoare la siguranță și mediul înconjurător

- Echipamentul din clasa B este adecvat utilizării casnice și în locuințe conectate direct la rețeaua de alimentare cu tensiune joasă.
- În momentul utilizării, ușa sau suprafețele exterioare ale produsului pot deveni fierbinți.
- Ouăle în coajă și ouăle fierte tari nu trebuie încălzite în cuptoarele cu microunde deoarece pot exploda, chiar după ce încălzirea cu microunde s-a încheiat.
- Nu scoateți componentele din partea posterioară și partea laterală a produsului ce protejează distanțele minime dintre pereții cuptorului și aparat, pentru a permite circulația necesară a aerului.

1.1.2 Siguranța produsului

- Încălzirea băuturilor la microunde poate cauza fierberea acestora și pot da pe afară la scoaterea din cuptor; aveți grijă cum țineți recipientele.
- Nu prăjiți nimic în cuptor. Uleiul încins poate avaria componentele și materialele cuptorului și poate chiar cauza arsuri ale pielii.
- Perforați mâncarea cu coajă groasă cum ar fi cartofii, dovleceii, merele și castanele.
- Aparatul trebuie să fie montat în așa fel încât partea din spate să fie la perete.
- Înainte de mutarea produsului, asigurați discul turnant pentru a preveni avariarea acestuia.

1.2 Utilizare destinată

- Nemenținerea în stare curată a cuptorului poate duce la deteriorarea suprafeței acestuia, ceea ce poate afecta în mod negativ viața produsului sau chiar genera situații periculoase.
- Curățarea chederelor ușii și a componentelor adiacente: Utilizați apă fierbinte cu săpun. Curățați cu o cârpă pentru vase, nu frecați. Nu utilizați o racletă din metal sau sticlă pentru curățare.
- **AVERTISMENT:** Dacă ușa sau chederalele ușii sunt avariate, cuptorul nu trebuie utilizat până când acesta nu este reparat de o persoană calificată.

1 Instrucțiuni importante referitoare la siguranță și mediul înconjurător

- **AVERTISMENT:** Este periculos ca operațiunile de service sau reparații care implică scoaterea capacului care protejează împotriva expunerii la energia microundelor să fie efectuate de altcineva decât persoana calificată.
- **AVERTISMENT:** Lichidele și alte alimente nu trebuie încălzite în recipiente etanșe deoarece pot exploda.
- Cuptorul trebuie să fie curățat regulat și depozitele de mâncare trebuie eliminate.
- Deasupra suprafeței superioare a cuptorului trebuie să existe o distanță liberă de minim 30 cm.
- Nu utilizați aparatul pentru nimic altceva decât destinația de utilizare.
- Nu utilizați aparatul ca sursă de căldură.
- Cuptorul cu microunde este destinat doar pentru decongelarea, gătitul și încălzirea preparatelor.
- Nu gătiți excesiv produsele; în caz contrar puteți cauza un incendiu.
- Nu utilizați aspiratoare pe bază de abur pentru curățarea produsului.

1.3 Siguranța copiilor

- Atunci când cuptorul este utilizat lângă copii și persoane care prezintă abilități fizice, senzoriale sau mentale limitate, se recomandă atenție extremă.
- Acest produs poate fi utilizat de copii de la 8 ani în sus și de persoane cu capacitate fizică, senzorială sau mentală limitată sau care nu au cunoștințe și experiență, atât timp cât sunt supravegheați pentru utilizarea în siguranță a produsului sau sunt instruiți corespunzător sau înțeleg riscurile de utilizare a produsului. Copiii nu trebuie să se joace cu produsul. Procedurile de curățare și întreținere nu trebuie să fie efectuate de copii, cu excepția cazului în care sunt supravegheați de un adult.
- Pericol de sufocare! Mențineți materialele de ambalare departe de copii.

1 Instrucțiuni importante referitoare la siguranță și mediul înconjurător

- Permiteți copiilor să utilizeze cuptorul fără supraveghere numai atunci când aceștia au fost instruiți corespunzător cu privire la utilizarea în siguranță a cuptorului cu microunde și înțelegerea pericolelor de utilizare necorespunzătoare.
- Din cauza căldurii excesive emise în modul de grătar și de combinare, aceste moduri pot fi folosite de copii doar cu supravegherea unui adult.
- Țineți produsul și cablul său de alimentare departe de copiii cu vârsta sub 8 ani.
- Atunci când produsul este în folosință, acesta și suprafețele accesibile pot fi foarte fierbinți. Țineți copiii departe de cuptor.
- Acest aparat nu este destinat utilizării de către persoane (inclusiv copii) cu capacități fizice, senzoriale sau mentale reduse, ori fără experiență și cunoștințe, cu excepția cazului în care sunt supravegheate sau instruite cu privire la utilizarea aparatului de către o persoană responsabilă pentru siguranța lor.
- Copiii trebuie supravegheați pentru a nu se juca cu aparatul.

- **AVERTISMENT:** Permiteți copiilor să utilizeze cuptorul fără supraveghere numai atunci când aceștia au fost instruiți corespunzător cu privire la utilizarea în siguranță a cuptorului cu microunde și înțelegerea pericolelor de utilizare necorespunzătoare.

1.4 Conform cu Directiva DEEE și de eliminare a produselor reziduale.



Acest produs nu conține materiale periculoase sau interzise specificate în "Regulamentul pentru Supervizare a Produselor Electrice și Electronice Reziduale" eliberat de către Ministerul Mediului și Planificării Urbane. Conform Directivei DEEE. Acest produs a fost fabricat folosind componente și materiale de înaltă calitate, care pot fi re-folosite și sunt potrivite pentru reciclare.

În acest scop, nu eliminați produsul împreună cu gunoiul menajer la sfârșitul perioadei de utilizare. Duceți-l la un centru de colectare pentru reciclarea echipamentelor electrice și electronice. Adresați-vă autorităților locale din zona dumneavoastră pentru aceste puncte de colectare. Contribuiți la protejerea mediului și a resurselor naturale prin reciclarea produselor uzate.

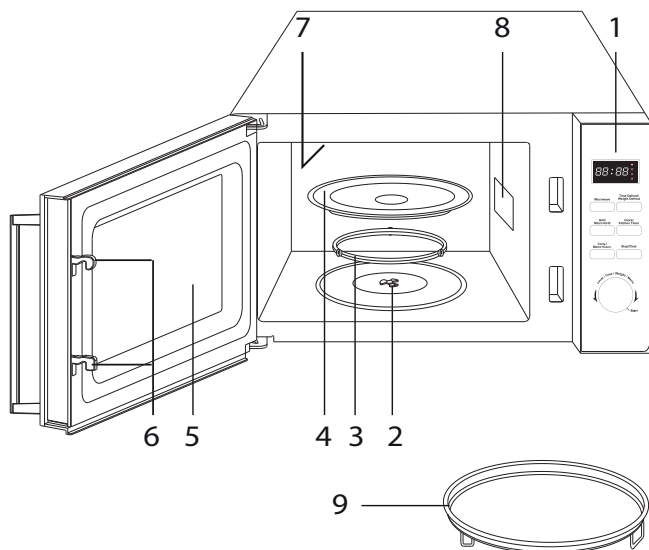
1.5 Informații despre ambalaj



Ambalajul produsului este fabricat din materiale reciclabile conform Legislației Naționale. Materialele de ambalare nu trebuie aruncate împreună cu gunoiul menajer sau de alt tip. Transportați-le la punctele de colectare destinate ambalajelor, amenajate de autoritățile locale.

2 Cuptorul dumneavoastră cu microunde

2.1 Prezentare generală



1. Panou de control
2. Ax disc turnant
3. Suport disc turnant
4. Tăviță de sticlă
5. Geam cuptor
6. Sistem de blocare de siguranță a ușii
7. Încălzitor grill
8. Ghid de unde (nu îndepărtați folia de mică ce acoperă ghidul de unde)
9. Tavă de copt

Simbolurile de pe produs sau valorile prezentate în alte documente furnizate împreună cu produsul reprezintă valorile obținute în condiții de laborator, conform standardelor relevante. Aceste valori pot varia în funcție de utilizarea produsului și de condițiile ambientale. Valorile de putere sunt testate la o tensiune de 230 V.

2 Cuptorul dumneavoastră cu microunde

2.2 Date tehnice

	MCF25210X	MCF28310X	MCF32410X
Tensiune/ Frecvență	230-240 V/50 Hz,		
Putere de intrare - Cuptor cu microunde	1400 W		1500 W
Putere de ieșire - Cuptor cu microunde	900 W		1000W
Putere-Grill	1200 W	1250 W	
Putere de intrare (Convecție)	2250 W	2300 W	
Frecvență microunde	2450 MHz		
Diametru platan	270 mm	315 mm	
Dimensiuniexterne	562*560*362 mm	608*558*366 mm	608*604*366 mm
Dimensiunicavitate cuptor	340(L)*333(D)*240(H) mm	353(L)*345(D)*245(H) mm	368(L)*384(D)*238(H) mm
Capacitate cuptor	25 L	28 L	32 L
Greutate netă	16.8 kg	19.8 kg	21.2 kg

3 Instalare și conectare

3.1 Montarea

1. Asigurați-vă că materialele de ambalare sunt îndepărtate de pe interiorul ușii.



AVERTISMENT: Verificați cuptorul, pentru a identifica o eventuală deteriorare, precum ușă aliniată necorespunzător sau îndoită, garnituri de ușă și suprafață de etanșare deteriorate, balamale de ușă defecte sau desprinse și încuietori și creștături în interiorul cavității sau pe ușă. Dacă există vreo deteriorare, nu utilizați cuptorul și contactați personal de service calificat.

2. Acest cuptor cu microunde trebuie așezat pe o suprafață plană și stabilă, pentru a-i susține greutatea și cea mai grea hrană care este probabil să fie gătită în cuptor.
3. Nu așezați cuptorul acolo unde se generează căldură, umezală sau umiditate ridicată sau lângă materiale combustibile.
4. Pentru o funcționare corectă, cuptorul trebuie să aibă flux suficient de aer. Lăsați minimum 20 cm de spațiu liber necesar deasupra suprafeței superioare a cuptorului și 5 cm pe ambele laturi. Placa posterioară a cuptorului cu microunde trebuie așezată aproape de perete. Nu acoperiți și nu blocați nicio deschizătură de pe aparat. Nu îndepărtați picioarele.
5. Nu utilizați cuptorul fără tava din sticlă, suportul rolei și arborele în pozițiile corespunzătoare.
6. Asigurați-vă că nu este deteriorat cablul de alimentare și că acesta nu trece pe sub cuptor sau peste orice suprafață fierbinte sau ascuțită.
7. Ștecherul trebuie să fie ușor accesibil, astfel încât acesta să poată fi scos cu ușurință din priză într-o situație de urgență.
8. Nu utilizați cuptorul în aer liber.

3.2 Interferențe radio

Funcționarea cuptorului cu microunde poate provoca interferențe cu radioul, televizorul dvs. sau cu echipamente asemănătoare. Atunci când există interferențe, acestea pot fi reduse sau eliminate prin luarea următoarelor măsuri:

1. Curățați ușa și suprafața de etanșare a cuptorului.
2. Reorientați antena de recepție a radioului sau a televizorului.
3. Schimbați poziția cuptorului cu microunde față de receptor.
4. Deplasați cuptorul cu microunde la distanță de receptor.
5. Conectați cuptorul cu microunde la o priză diferită, astfel încât cuptorul cu microunde și receptorul să se afle pe circuite cu ramuri diferite.

3.3 Instrucțiuni de împământare

Acest aparat trebuie să fie împământat. Acest cuptor este echipat cu un cablu care are un cablu de împământare cu o priză de împământare. Acesta trebuie conectat la o priză de perete care este instalată și împământată în mod corespunzător. În eventualitatea unui scurtcircuit electric, împământarea reduce riscul de electrocutare prin asigurarea unui cablu de eliminare pentru curentul electric. Se recomandă asigurarea unui circuit separat care să deservească numai cuptorul. Utilizarea unei tensiuni înalte este periculoasă și poate avea drept rezultat un incendiu sau alt accident care să cauzeze deteriorarea cuptorului.



AVERTISMENT: Utilizarea necorespunzătoare a prizei de împământare poate avea drept rezultat riscul de electrocutare.

3 Instalare și conectare



Dacă aveți întrebări despre împământare sau despre instrucțiunile privind curentul electric, consultați un electrician calificat sau un specialist în service.



Nici producătorul și nici distribuitorul nu pot accepta nicio responsabilitate pentru deteriorarea cuptorului sau pentru vătămările corporale care rezultă din nerespectarea procedurilor de conectare la rețeaua electrică.

Cablurile din acest mănunchi de cabluri sunt conectate în conformitate cu următorul cod:

Verde și Galben = ÎMPĂMÂNTARE

Albastru = NUL

Maro = FAZĂ

3.4 Principiile preparării la microunde

1. Aranjați alimentele cu atenție. Așezați zonele cele mai groase spre exteriorul vasului.
2. Respectați timpul de gătire. Preparați în timpul cel mai scurt indicat și adăugați mai mult în funcție de necesități. Alimentele gătite foarte mult în exces pot fumege sau se pot arde.
3. Acoperiți alimentele în timpul preparării. Capacele împiedică stropirea și contribuie la prepararea uniformă a alimentelor.
4. Întoarceți alimentele o dată în timpul preparării la microunde, pentru a accelera prepararea unor alimente precum pui și hamburgeri. Articolele mari precum fripturile trebuie întoarse cel puțin o dată.
5. Rearanjați alimentele precum chiftelele la jumătate la jumătate, prin prepararea atât de sus în jos, cât și de la centrul vasului spre exterior.

3.5 Înainte de a solicita service

În cazul în care cuptorul nu funcționează:

1. Verificați pentru a vă asigura că cuptorul este conectat în siguranță la priză. Dacă nu este, scoateți ștecherul din priză, așteptați 10 secunde și conectați-l din nou la priză în siguranță.
2. Verificați să nu existe o siguranță sărită a circuitului sau un întrerupător de circuit principal declanșat. Dacă acestea par să funcționeze corespunzător, testați priza cu alt aparat.
3. Verificați pentru a vă asigura că panoul de control este programat corect și că este setat cronometrul.
4. Verificați pentru a vă asigura că ușa este închisă în siguranță, prin cuplarea sistemului de închidere sigură a ușii. În caz contrar, energia microundelor nu va trece în cuptor.

DACĂ SITUAȚIA NU SE REMEDIAZĂ PRIN NICIUNA DINTRE MĂSURILE DE MAI SUS, ATUNCI CONTACTAȚI UN TEHNICIAN CALIFICAT. NU ÎNCERCAȚI SĂ REGLAȚI SAU SĂ REPARAȚI SINGUR CUPTORUL.

3.6 Ghid privind ustensilele

1. Microundele nu pot penetra metalul. Folosiți numai ustensile adecvate utilizării în cuptoarele cu microunde. Nu se permite utilizarea recipientelor metalice pentru alimente și băuturi în timpul preparării la cuptorul cu microunde. Această cerință nu este aplicabilă dacă producătorul specifică dimensiunea și forma recipientelor metalice adecvate pentru prepararea la microunde.
2. Microundele nu pot penetra metalul, deci nu trebuie utilizate ustensilele metalice sau vasele cu margine metalică.
3. Nu utilizați produse din hârtie reciclată atunci când preparați la microunde, deoarece acestea pot conține mici fragmente metalice care pot cauza scânteii și/sau incendii.

3 Instalare și conectare

4. Se recomandă mai degrabă vase rotunde/ovale în locul celor pătrate/dreptunghiulare, deoarece alimentele din colțuri tind să se prepare în exces.

5. Se pot utiliza fâșii înguste de folie de aluminiu, pentru a împiedica prepararea în exces a zonelor expuse. Însă aveți grijă să nu utilizați prea multă și mențineți o distanță de 1 inch (2,54 cm) între folie și cavitare.

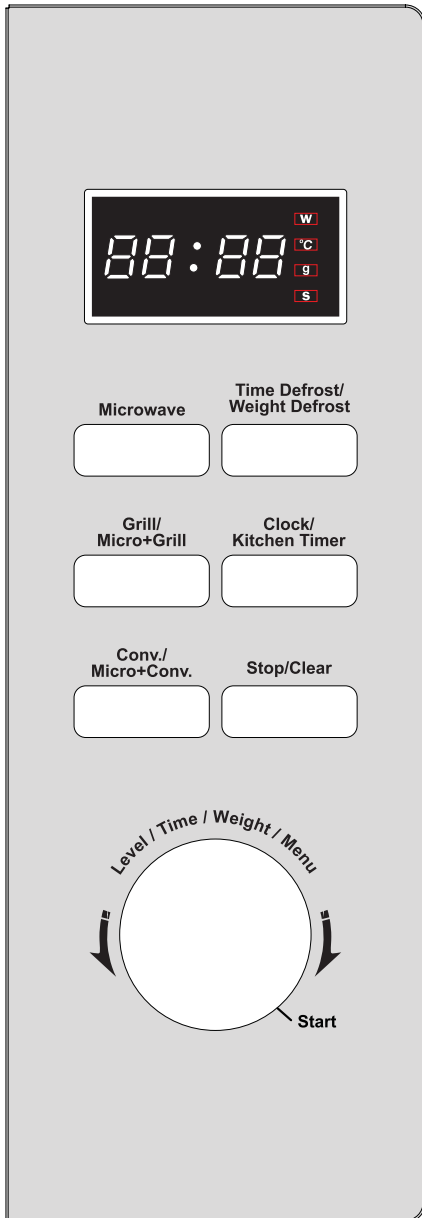
Lista de mai jos reprezintă un ghid general, care vă ajută să selectați ustensilele corecte.

Accesorii pentru gătit	Cuptor cu microunde	Grill	Convecție	Combinare*
Sticlă termorezistentă	Da	Da	Da	Da
Sticlă ne-termorezistentă	Nu	Nu	Nu	Nu
Ceramică termorezistentă	Da	Da	Da	Da
Vas de plastic ce se poate utiliza în cuptorul cu microunde	Da	Nu	Nu	Nu
Hârtie pentru bucătărie	Da	Nu	Nu	Nu
Tăviță de metal	Nu	Da	Da	Nu
Placă de încălzire	Nu	Da	Da	Nu
Folie din aluminiu și recipient folie	Nu	Da	Da	Nu

* Combinare: aplicabil atât pentru preparare „micro+grill”, cât și pentru „micro+convecție”.

4 Funcționarea

4.1 Panou de comandă



4.2 Ecran de acționare meniu

- Se afișează timpul de preparare, puterea, indicatorii de acțiune și ora de pe ceas.

„Cuptor cu microunde”

- Apăsați acest buton, pentru a seta programul de preparare la microunde.

„Ceas/cronometru de bucătărie”

- Apăsați pentru a seta ora de pe ceas.
- Apăsați funcția de setare a cronometrului de bucătărie.

Conv/Micro + Conv.

- Apăsați pentru a programa prepararea prin convecție.
- Apăsați pentru a selecta una dintre cele patru setări de preparare prin combinare.

„Grill/Micro+Grill”

- Apăsați pentru a seta programul de grill.
- Apăsați pentru a selecta una dintre cele două setări de preparare prin combinare.

„Stop/Ștergere”

- Apăsați pentru a anula setarea sau pentru a re-seta cuptorul înainte de a seta un program de preparare.
- Apăsați o dată, pentru a opri temporar prepararea sau de două ori, pentru a anula de tot prepararea.

„Nivel/Oră/Greutate/Meniu” (Buton)

- Rotiți mânerul, pentru a introduce timpul de preparare.
- Rotiți mânerul, pentru a selecta un meniu de auto-preparare.
- Rotiți mânerul, pentru a selecta nivelul de putere pentru prepararea la cuptorul cu microunde.
- Rotiți mânerul, pentru a seta temperatura de preparare prin convecție.

„Start” (Butonul)

- Apăsați o dată, pentru a porni un program de preparare.

4 Funcționarea

- Pur și simplu apăsați-l de un număr de ori, pentru a seta timpul de preparare și preparați imediat la nivelul maxim de putere

Timp decongelare/Greutate decongelare

- Apăsați o dată, pentru a seta programul de decongelare pe baza timpului introdus.
- Apăsați de două ori, pentru a seta programul de decongelare pe baza greutății introduse.

4.3 Setarea comenzilor cuptorului

- Atunci când cuptorul se conectează pentru prima dată la priză, se va auzi un semnal sonor, iar afișajul va indica „1:01”.
- În timpul preparării, dacă apăsați panoul „Stop/Ștergere” o dată, programul va fi întrerupt, apoi apăsați panoul „Start” pentru a relua, dar dacă apăsați panoul „Stop/Ștergere” de două ori, programul va fi anulat.
- După încheierea preparării, sistemul va emite semnale sonore, pentru a-i aminti utilizatorului din două în două minute, până când utilizatorul apasă panoul „Stop/Ștergere” sau deschide ușa.
- Sistemul de control electronic al cuptorului cu microunde are caracteristica de răcire. Cât despre orice mod de preparare cu timp de preparare de peste 2 minute, deschideți ușa cuptorului sau timpul de preparare este întrerupt, ventilatorul cuptorului va funcționa aproximativ 3 minute pentru a răci cuptorul, pentru a-i prelungi durata de viață.

4.4 Setarea orei de pe ceas

Acesta este un ceas cu 12 sau cu 24 de ore. Îl puteți alege atingând panoul Ceas/Bucătărie.

DE EXEMPLU: Să presupunem că doriți să setați ora de pe ceasul cuptorului la 8:30.

1. Apăsați și mențineți apăsat butonul „Ceas/Cronometru de bucătărie” timp de 3 secunde, pentru a selecta ciclul de ceas cu 12 ore (dacă doriți să selectați ceasul cu 24 de ore, apăsați din nou panoul).
2. Rotiți butonul de Nivel/Timp/Greutate/Meniu, pentru a seta valoarea orei 8.
3. Apăsați butonul „Ceas/Cronometru de bucătărie” o dată, pentru a confirma setarea de oră.
4. Rotiți „Nivel/Timp/Greutate/Meniu”, pentru a seta valoarea minutului 30.
5. Apăsați butonul „Ceas/Cronometru de bucătărie” o dată, pentru a confirma setarea.



Pentru a verifica ora în timpul funcționării cuptorului, apăsați butonul „Ceas/Cronometru de bucătărie”, apoi pe ecranul afișajului se va afișa pentru un timp ora curentă.

4.5 Pornirea rapidă

Cuptorul va prepara alimentele rapid la putere RIDICATĂ (100% putere de ieșire) pentru programul de preparare cu pornire rapidă.

Pur și simplu apăsați butonul „Start” de un număr de ori, pentru a seta timpul de preparare, cuptorul începe să funcționeze automat la putere maximă. Timpul maxim de preparare pe care-l puteți introduce este de 10 de minute.

4.6 Prepararea la microunde

Pentru prepararea „la microunde”, pot fi setate nivelul puterii de preparare și timpul de preparare. Timpul cel mai îndelungat de preparare este de 95 de minute.

De exemplu, să presupunem că doriți să preparați timp de 10 minute la puterea de 450 W a „microundelor”.

1. Apăsați butonul „Microunde” o dată și apoi rotiți cadranul „Nivel/Timp/Greutate/Meniu”, pentru a alege nivelul de putere de preparare.

4 Funcționarea

2. Apăsați „Start”, pentru a confirma.
3. Rotiți butonul „Nivel/Timp/Greutate/Meniu”, pentru a seta durata de preparare.
4. Apăsați „Start”.



Există 11 tipuri de nivel de putere de preparare (P100, P-90, P-80, P-70, P-60, P-50, P-40, P-30, P-20, P-10, P-00) pe care le puteți alege rotind cadranul „Nivel/Timp/Greutate/Meniu”.

În timpul preparării, puteți verifica nivelul de putere atingând panoul „Microunde”.

4.7 Greutate decongelare

Cuptorul vă permite să decongeleți alimente pe baza greutății introduse de utilizator. Timpul de decongelare și nivelul de putere se setează automat imediat ce sunt programate categoria de alimente și greutatea. Greutatea alimentelor congelate variază de la 100 g la 1800 g.

1. În modul de așteptare, apăsați de două ori panoul Timp decongelare/Greutate decongelare.
2. Rotiți cadranul „Nivel/Timp/Greutate/Meniu”, pentru a selecta greutatea alimentelor care urmează să fie decongelate.
3. Apăsați „Start”, pentru a confirma.



Cuptorul se oprește în timpul decongelării, pentru a-i permite utilizatorului să întoarcă alimentele pentru decongelare uniformă și apoi apăsați „Start”, pentru a decongela în timpul rămas.

Cuptorul nu va prepara corespunzător dacă se întâmplă să introduceți greutate care s-o depășească pe cea maximă recomandată.

4.8 Timp decongelare

Cuptorul vă permite să decongeleți alimente pe baza timpului introdus de utilizator.

1. În modul de așteptare, apăsați o dată panoul „Decongelare/Greutate decongelare”.
2. Rotiți cadranul „Nivel/Timp/Greutate/Meniu”, pentru a introduce timpul de decongelare.
3. Apăsați „Start”, pentru a confirma.



Cuptorul se oprește în timpul decongelării, pentru a-i permite utilizatorului să întoarcă alimentele pentru decongelare uniformă și apoi apăsați „Start”, pentru a decongela în timpul rămas.

4.9 Grill

Cuptorul vă permite să preparați alimente la grill pe baza timpului introdus de utilizator. Timpul cel mai îndelungat de preparare este de 95 de minute.

1. Apăsați o dată butonul „Grill/Micro+Gril”.
2. Apăsați „Start”, pentru a confirma.
3. Rotiți cadranul „Nivel/Timp/Greutate/Meniu”, pentru a introduce timpul de preparare.
4. Apăsați „Start”.

4.10 Micro + Grill

Timpul cel mai îndelungat de preparare este de 95 de minute. Această caracteristică vă permite să combinați prepararea la grill și „la microunde” pe două setări diferite.

4.10.1 Combinare 1

30% din timp pentru prepararea „la microunde”, 70% pentru prepararea la grill. Utilizați pentru pește, cartofi sau au gratin.

Să presupunem că doriți să setați prepararea combinare 1 timp de 25 de minute.

1. Apăsați de două ori butonul „Grill/Micro+Grill” și apoi rotiți cadranul „Nivel/Timp/Greutate/Meniu” până când afișajul prezintă „Gr2”.
2. Apăsați „Start”, pentru a confirma.
3. Rotiți cadranul „Nivel/Timp/Greutate/Meniu”, pentru a introduce timpul de preparare.
4. Apăsați butonul „Start”.

4 Funcționarea

4.10.2 Combinare 2

55% din timp pentru prepararea „la microunde”, 45% pentru prepararea la grill. Utilizați pentru budinci, omlete, cartofi copti și carne de pui.

Să presupunem că doriți să setați prepararea combinare 2 timp de 12 de minute.

1. Apăsăți de două ori butonul „Grill/Micro+Grill” și apoi rotiți cadranul „Nivel/Timp/Greutate/Meniu” până când afișajul prezintă „Gr3”.
2. Apăsăți „Start”, pentru a confirma.
3. Rotiți cadranul „Nivel/Timp/Greutate/Meniu”, pentru a introduce timpul de preparare.
4. Apăsăți butonul „Start”.

4.11 Convecție

În timpul preparării prin convecție, aerul fierbinte este circulat prin toată cavitatea cuptorului, pentru a rumeni și a prepara rapid și uniform alimente crocante. Acest cuptor poate fi programat pentru zece temperaturi de preparare diferite. Timpul maxim de preparare care poate fi setat de utilizator este de 95 de minute.

Pentru a prepara cu convecție

Pentru a prepara cu convecție, apăsați o dată panoul „Conv/Micro+Conv” și apoi rotiți cadranul „Nivel/Timp/Greutate/Meniu” în sensul acelor de ceasornic, pentru a introduce temperatura de convecție dorită (110°C, 120°C, 130°C, 140°C, 150°C, 160°C, 170°C, 180°C, 190°C, 200°C).

Să presupunem că doriți să preparați la 180°C timp de 40 de minute.

1. În modul de așteptare, așezați alimentele în cuptor și închideți-l.
2. Apăsăți o dată panoul „Conv/Micro+Conv.” și apoi rotiți cadranul „Nivel/Timp/Greutate/Meniu” în sensul acelor de ceasornic, pentru a introduce temperatura de convecție 180°C.
3. Apăsăți „Start”, pentru a confirma.
4. Rotiți butonul „Nivel/Timp/Greutate/Meniu”, pentru a introduce timpul de preparare (Timpul cel mai îndelungat este de 95 min.).

5. Apăsăți butonul „Start”.



Puteți verifica temperatura de convecție cât timp prepararea este în curs, atingând panoul „Conv/Micro+Conv.”.

Pentru a preîncălzi și pentru a prepara cu convecție

Cuptorul dvs. poate fi programat pentru a combina operațiunile de preîncălzire și de preparare prin convecție.

Să presupunem că doriți să preîncălziți la 170°C și apoi să preparați timp de 35 de minute.

1. În modul de așteptare, așezați alimentele în cuptor și închideți-l.
2. Apăsăți o dată panoul „Conv/Micro+Conv.” și apoi rotiți cadranul „Nivel/Timp/Greutate/Meniu” în sensul acelor de ceasornic, pentru a introduce temperatura de convecție 170°C.
3. Apăsăți „Start” pentru a confirma și apăsați din nou panoul „Start”.
4. Atunci când cuptorul ajunge la temperatura desemnată, acesta emite semnale sonore per 5 sec, pentru a-i aminti utilizatorului.
5. Deschideți ușa și așezați recipientul cu alimente în centrul mesei rotative.
6. Rotiți butonul „Nivel/Timp/Greutate/Meniu”, pentru a introduce durata de preparare.
7. Apăsăți butonul „Start”.



Cel mai îndelungat timp de preîncălzire este de 30 de minute, iar timpul de preîncălzire nu poate fi setat. Atunci când ajunge la temperatura de preîncălzire, cuptorul va emite semnale sonore din 5 în 5 secunde, dacă nu există nicio operațiune timp de 30 de minute, programul se va încheia automat.

4 Funcționarea

4.12 Micro +convecție

Acest cuptor are patru setări pre-programate care pot facilita automat prepararea, atât cu căldură prin convecție, cât și „cu microunde”. Timpul maxim de preparare care poate fi setat de utilizator este de 95 de minute.

Apăsați de două ori panoul „Conv/Micro+Conv.” și apoi rotiți cadranul „Nivel/Timp/Greutate/Meniu”, pentru a programa temperatura de convecție (200C→170C→140C→110C).

1. În modul de așteptare, așezați alimentele în cuptor și închideți-l.
2. Apăsați de două ori butonul „Conv/Micro+Conv.”
3. Rotiți cadranul „Nivel/Timp/Greutate/Meniu”, pentru a indica temperatura de convecție.
4. Apăsați „Start”, pentru a confirma.
5. Rotiți butonul „Nivel/Timp/Greutate/Meniu”, pentru a introduce durata de preparare.
6. Apăsați butonul „Start”.



În timpul preparării, puteți verifica temperatura de convecție cât timp prepararea este în curs, apăsând butonul „Conv/Micro+Conv.”.

4.13 Setarea cronometrului de bucătărie

ați putea seta cronometrul cuptorului, pentru a vă aminti timpul de preparare. Cel mai îndelungat timp pe care îl puteți seta este de 95 de minute.

Să presupunem că doriți să setați cronometrul de bucătărie la 30 de minute:

1. Apăsați butonul „Ceas/Cronometru de bucătărie” o dată.
2. Rotiți butonul digital „Nivel/Timp/Greutate/Meniu”, pentru a seta 30:00.
3. Apăsați „Start”, pentru a confirma.



Atunci când cronometrul numără, puteți apăsa „Ceas/cronometru de bucătărie”, pentru a vedea ora cronometrului timp de 5 secunde și apăsați „Stop/Ștergere” în decurs de 5 secunde, pentru a anula.

4.14 Blocarea accesului copiilor

Utilizați pentru a împiedica utilizarea nesupravegheată a cuptorului de copii mici. Indicatorul BLOCARE ACCES COPII va apărea pe ecranul de afișare, iar cuptorul nu poate fi utilizat cât timp este setată BLOCARE ACCES COPII.

Pentru a seta BLOCARE ACCES COPII: În modul standby, dacă nu funcționează deloc în decurs de un minut, cuptorul va intra automat în modul de blocare acces copii, iar toate butoanele sunt nevalide.

Pentru a anula BLOCARE ACCES COPII: În modul blocare acces copii, deschiderea sau închiderea ușii cuptorului poate anula programul.

4.15 Protecție

4.15.1 Protecția împotriva supraîncălzirii

Atunci când sistemul intră în starea de protecție împotriva temperaturii deosebit de ridicate, afișajul digital prezintă „E01” și emite în continuare semnale sonore, până la depanare, apoi apăsați panoul „Stop/Ștergere”, sistemul revine la modul normal de standby.

4.15.2 Protecția împotriva temperaturilor scăzute

Atunci când sistemul intră în starea de protecție împotriva temperaturii scăzute, afișajul digital prezintă „E02” și emite în continuare semnale sonore până când apăsați „Stop/Ștergere”, sistemul revine la modul normal de standby.

4 Funcționarea

4.15.3 Senzor de protecție împotriva funcționării necorespunzătoare

Sistemul intră în modul de protecție atunci când senzorul sistemului este scurtcircuitat. Afișajul indică „E03” și emite în continuare semnale sonore, până când apăsați „Stop/Ștergere”, sistemul revine la modul normal de standby.

4.16 Preparare automată

Pentru următoarele alimente sau operațiuni de preparare, nu este necesar să introduceți puterea și timpul de preparare. Încercați să vă concentrați să comunicați cuptorului ce doriți să preparați și cât de mult cântăresc alimentele. Cuptorul începe să funcționeze după ce apăsați „Start”.

De exemplu:

1. În modul de așteptare, rotiți cadranul „Nivel/Timp/Greutate/Meniu” în sens invers acelor de ceasornic, pentru a selecta codul alimentului
2. Apăsați „Start” o dată.
3. Rotiți cadranul „Nivel/Timp/Greutate/Meniu”, pentru a selecta greutatea dorită.
4. Apăsați butonul „Start”.

Meniu gătire automată

Cod	Aliment	
A-1	Lapte/Cafea (200 ml/cană)	NOTE: 1. Pentru lapte/cafea și cartofi, ecranul va afișa numărul de porții în locul greutății alimentelor. 2. Pentru elementul A-7, cuptorul se oprește în timpul decongelării, pentru a-i permite utilizatorului să întoarcă alimentele pentru decongelare uniformă și apoi apăsați „Start”, pentru a termina timpul rămas. 3. Rezultatul preparării automate depinde de factori precum fluctuațiile de tensiune, forma și dimensiunea alimentelor, preferințele personale legate de gradul de coacere pentru anumite alimente și chiar de modul în care este posibil să fi așezat alimentele în cuptor. Dacă în orice caz constatați că rezultatul nu este chiar satisfăcător, vă rugăm să ajustați puțin în consecință timpul de preparare.
A-2	Floricele de porumb (99 g)	
A-3	Spaghetti (g)	
A-4	Cartofi (230 g/unitate)	
A-5	Reîncălzire automată (g)	
A-6	Pește (g)	
A-7	Pui (g)	
A-8	Pizza (g)	
A-9	Prăjitură (475 g)	

5 Curățarea și întreținerea

5.1 Curățarea și îngrijirea

1. Opriți cuptorul și scoateți ștecherul din priză de perete înainte de curățare.
2. Mențineți curat interiorul cuptorului. Atunci când stropi de mâncare sau lichide vărsate aderă la pereții cuptorului, ștergeți cu o lavetă umedă. Dacă cuptorul se murdărește foarte mult, se poate folosi detergent ușor. Evitați utilizarea agenților de curățare sub formă de spray și a altor agenți de curățare duri, deoarece aceștia pot păta, pot lăsa dăre sau pot mătui suprafața ușii.
3. Suprafețele exterioare trebuie să fie curățate cu o lavetă umedă. Pentru a împiedica deteriorarea părților în funcțiune din interiorul cuptorului, nu trebuie să se permită pătrunderea apei în deschizăturile pentru ventilație.
4. Ștergeți frecvent ambele părți ale ușii și ale geamului, garniturile ușii și piesele adiacente cu o lavetă umedă, pentru a îndepărta orice stropi sau pete. Nu utilizați agenți abrazivi de curățare.
5. Nu se va utiliza un agent de curățare cu abur.
6. Nu permiteți umezirea panoului de control. Curățați cu o lavetă moale și umedă. Atunci când curățați panoul de control, lăsați deschisă ușa cuptorului, pentru a împiedica pornirea accidentală a cuptorului.
7. Dacă se acumulează abur în interiorul sau în jurul părții exterioare a ușii cuptorului, curățați-l cu ajutorul unei lavete moi. Acest lucru poate surveni în momentul în care cuptorul cu microunde este utilizat în condiții de umiditate ridicată. Iar acest lucru este normal.
8. Este necesar ca ocazional să îndepărtați tăvița de sticlă pentru curățare. Curățați tăvița în apă caldută plină de săpun sau în mașina de spălat vase.
9. Pentru a evita zgomotul excesiv, inelul de roti-re și suprafața inferioară a cuptorului trebuie să fie curățate în mod regulat. Pur și simplu ștergeți suprafața inferioară a cuptorului cu

detergent ușor. Inelul rotativ poate fi spălat în apă plină de săpun ușor sau în mașina de spălat vase. Atunci când se îndepărtează inelul rotativ de pe partea inferioară a cavității pentru curățare, asigurați-vă că îl așezați la loc în poziție corespunzătoare.

10. Îndepărtați mirosurile din cuptor combinând o cană de apă cu suc și cu coaja unei lămâi într-un bol adânc, ce poate fi utilizat în cuptorul cu microunde, timp de 5 minute. Curățați în întregime și apoi uscați-l cu o lavetă moale.
11. Atunci când este necesară înlocuirea ușii cuptorului, vă rugăm să consultați un distribuitor pentru înlocuire.
12. Cuptorul trebuie să fie curățat în mod regulat, iar orice depozite de mâncare trebuie eliminate. Nerespectarea menținerii în stare curată a cuptorului poate conduce la deteriorarea suprafeței acestuia, ceea ce poate afecta în mod negativ viața produsului sau poate chiar genera situații periculoase.
13. Vă rugăm să nu eliminați acest aparat în coșul de gunoi menajer; acesta trebuie eliminat la centrul specific de eliminare asigurat de municipalități.
14. Atunci când se utilizează pentru prima dată cuptorul cu microunde cu funcția de grill, acesta poate produce mici cantități de fum și de miros. Acesta este un fenomen normal, deoarece cuptorul este confecționat dintr-o placă din oțel acoperită cu ulei de lubrifiere, iar cuptorul nou va produce fum și miros generate de arderea uleiului de lubrifiere. Acest fenomen va dispărea după o perioadă de utilizare.

5.2 Depozitarea

- Dacă nu intenționați să utilizați aparatul o perioadă lungă de timp, depozitați-l cu grijă.
- Asigurați-vă că este scos din priză, răcit și complet uscat.
- Depozitați produsul într-o loc uscat și răcoros.
- Nu lăsați produsul la îndemâna copiilor

5.3 Manevrarea și transportul

- În timpul manevrării și transportului, păstrați produsul în ambalajul său original. Ambalajul produsului îl protejează împotriva deteriorării fizice.
- Nu plasați obiecte grele pe aparat sau pe ambalaj. Produsul poate fi deteriorat.
- Căderea produsului îl poate face nefuncțional sau poate cauza avarii permanente.

6 Depanarea

Normal	
Cuptorul cu microunde interferează cu recepția semnalului TV	În momentul când cuptorul cu microunde este funcțional, recepția semnalului radio și tv poate suferi interferențe. Acest lucru este similar interferențelor cauzate de produsele electrice mici, cum ar fi mixerul, aspiratorul și ventilatorul electric. Acest lucru este normal.
Lumina cuptorului este diminuată	În momentul gătirii utilizând putere mică, lumina cuptorului poate fi diminuată. Acest lucru este normal.
Acumulare de abur pe ușa, aerul cald iese din orificii	În timpul gătirii, se poate ridica abur din alimente. Mare parte din această cantitate de abur se elimină prin orificii. Dar o cantitate se poate acumula pe un loc rece cum ar fi ușa cuptorului. Acest lucru este normal.
Cuptorul a pornit accidental fără alimente în el.	Nu este permisă utilizarea aparatului fără alimente înăuntru. Este foarte periculos.

Problemă	Motiv posibil	Soluție
Cuptorul nu poate porni.	1. Cablul de alimentare nu este conectat corect.	Deconectați. Apoi conectați din nou după 10 secunde.
	2. Siguranța este arsă sau întrerupătorul s-a declanșat.	Înlocuiți siguranța sau resetați întrerupătorul (reparată de personalul profesionist al companiei noastre).
	3. Probleme cu priza.	Testați priza cu alte produse electrice.
Cuptorul nu se încălzește.	4. Ușa nu este închisă corect.	Închideți ușa corect.
În momentul când cuptorul cu microunde este utilizat, platoul turnant scoate zgomote	5. Platoul turnant și partea inferioară a cuptorului sunt murdare.	Consultați secțiunea "Curățare și întreținere" pentru curățarea componentelor murdare.



CERTIFICAT DE GARANȚIE

Tensiune de alimentare/frecvență: 230V/50Hz

Importator: ARCTIC S.A., Găești, Dâmbovița, str. 13 Decembrie nr. 210, email: office@arctic.ro

TIP: **Electrocasnice mici de bucătărie - 3 ani** **Cuptor cu microunde - 3 ani**

Aspirator - 2 ani **Fier de călcat - 2 ani** **Stație de călcat - 2 ani**

Model / Serie:

VĂNZĂTOR

Nr. factură: Data:

Vanzator (firma, localitatea):

CUMPĂRĂTOR

Nume Localitatea

Str. Nr. Bloc Sc. Et. Ap.

Județ Telefon E-mail

S-a efectuat proba de funcționare a aparatului, s-a prezentat modul de folosire, s-au predat instrucțiunile de utilizare și toate accesoriile. Am primit aparatul în perfectă stare de funcționare.

Stimați clienți,

La cumpărare vă recomandăm să solicitați efectuarea probei de funcționare și să verificați existența instrucțiunilor de utilizare și a accesoriilor. Pentru a putea beneficia de toate avantajele produselor și serviciilor noastre vă rugăm:

- să citiți cu atenție și să respectați recomandările prezentate în "Instrucțiunile de utilizare".

- să păstrați cu grijă acest certificat pentru a-l putea prezenta (împreună cu documentul fiscal de achiziție), personalului SERVICE ARCTIC, la orice sesizare efectuată în perioada de garanție.

Vă mulțumim că ați optat pentru cumpărarea unui produs Beko!

Durata medie de utilizare a produselor BEKO este de 5 ani!

Perioada de garanție legală de conformitate este de 2 ani de la intrarea produsului în posesia consumatorului.

Perioada de garanție comercială este de 3 ani de la intrarea produsului în posesia consumatorului, include și perioada de garanție legală de conformitate și se acordă pentru următoarele categorii: Electrocasnice mici de bucătărie și Cuptoare cu microunde.

Art. 22, alin. 3-6, din L449/2013, modificata de OG 9/2016:

- (3) Timpul de nefuncționare din cauza lipsei de conformitate apărute în cadrul termenului de garanție prelungeste termenul de garanție legală de conformitate și cel al garanției comerciale și curge, după caz, din momentul la care a fost adusă la cunoștința vânzătorului lipsa de conformitate a produsului sau din momentul prezentării produsului la vânzător/unitatea service până la aducerea produsului în stare de utilizare normală și, respectiv, al notificării în scris în vederea ridicării produsului sau predării efective a produsului către consumator.

- (4) Produsele de folosință îndelungată care înlocuiesc produsele defecte în cadrul termenului de garanție vor beneficia de un nou termen de garanție care curge de la data preschimbării produsului.

- (5) Produsele de folosință îndelungată defectate în termenul de garanție legală de conformitate, atunci când nu pot fi reparate sau când durata cumulată de nefuncționare din cauza deficiențelor apărute în termenul de garanție legală de conformitate depășește 10% din durata acestui termen, la cererea consumatorului, vor fi înlocuite de vânzător sau acesta va restitui consumatorului contravaloarea produsului respectiv.

- (6) Termenul de garanție curge de la data intrării bunului respectiv în posesia consumatorului, inclusiv pentru bunurile noi de folosință îndelungată, obținute prin tragere la sorți la tombole, câștigate la concursuri și similare sau acordate cu reducere de preț ori gratuit de către operatorii economici.

Garanția oferită de producător nu exclude garanția de viciu ascuns, conform OG 21/1992 (R2) privind protecția consumatorului și Codul Civil.



Service-ul acestui produs este asigurat de ARCTIC S.A. cu sediul în Găești, Dâmbovița, str. 13 Decembrie nr. 210.
*9010 • www.arctic.ro • e-mail: service@arctic.ro • Program Call Center: Luni - Vineri 08:30 - 20:00;
Sâmbătă 09:00 - 17:00

UNITĂȚILE SERVICE ALE ARCTIC S.A. EXECUTĂ REPARAȚII ÎN TERMENUL DE GARANȚIE ȘI ÎN AFARA ACESTUIA

Nr. crt.	Data Reclamației	Data primirii în reparație	Reparat			Prelungirea termenului de garanție	Efectuarea verificării	
			Programat	Data ridicării aparatului	Cauza întârzierii		SERVICE	CLIENT

CONDITIILE DE GARANȚIE LEGALĂ DE CONFORMITATE ȘI GARANȚIE COMERCIALĂ:

1. Garanția se aplică numai dacă documentul fiscal de achiziție împreună cu acest certificat sunt prezentate împreună cu produsul reclamat. Pentru orice defecțiune apărută în perioada de garanție sau post garanție, apălați la magazinul de unde a fost achiziționat produsul sau direct la Call Center Arctic. Termenul de garanție se prelungește cu timpul scurs de la data semnării defectului și până la data repunerii aparatului în stare de funcționare. Prelungirea termenului de garanție se va înscrice în certificatul de garanție de către unitatea SERVICE care a efectuat reparația.
2. Garanția acoperă repararea și/sau înlocuirea pieselor constatate ca defecte (necauzate de consumator) de către tehnicienii Service Arctic.
3. La cumpărare vă recomandăm să solicitați efectuarea probei de funcționare și să verificați existența tuturor accesoriilor și a instrucțiunilor de utilizare. Produsul trebuie să funcționeze corespunzător și să nu prezinte defecte vizibile ale pieselor și accesoriilor.
4. Termenul de realizare a operațiilor de reparare, înlocuire sau întreținere este de 15 zile calendaristice de la data la care cumpărătorul a sesizat defecțiunea la magazinul de unde a achiziționat produsul sau direct la Call Center Arctic.

Reclamațiile referitoare la aspectele prevăzute mai jos, se rezolvă numai contra cost:

- a) nefuncționarea lămpilor de iluminare;
- b) accesoriile care nu au defecte ascunse de material constatate de tehnicienii Service Arctic;
- c) piesele și accesoriile care prezintă lovitură, zgârieturi, spărturi sau deformări.

PRODUSUL NU BENEFICIAZĂ DE GARANȚIE LEGALĂ DE CONFORMITATE ȘI DE GARANȚIE COMERCIALĂ ÎN URMĂTOARELE CAZURI:

1. Nu au fost respectate instrucțiunile de transport, manipulare, instalare, utilizare și întreținere prescrite.
2. Suprasamburile și accesoriile casabile care se deteriorează în timpul transportului vor fi înlocuite de vânzător (în cazul în care asigură transportul).
3. Garanția nu se acordă subansamblelor și accesoriilor casabile ale produselor care suferă de deteriorări din vîrta consumatorului.
4. Tensiunea de alimentare are valori care nu se încadrează în limitele prevăzute de standarde (SR EN 50160).
5. Instalația electrică a utilizatorului prezintă improvizații sau neconformități.
6. Produsul a fost folosit în alte scopuri decît cel pentru care a fost proiectat.
7. Produsul a suportat intervenții (reparații, modificări) din partea unor persoane neautorizate de producător.

Drepturile consumatorului sunt cele prevăzute în Legea 449/2003 (R1), modificată și completată de OG 9/2016, și OG 21/1992 (R2). Drepturile consumatorului nu sunt afectate prin garanția comercială oferită.


Leggere per prima cosa questo manuale!

Gentile Cliente,

Grazie per aver scelto un prodotto Beko. Speriamo che Lei riesca ad ottenere i risultati migliori da questo prodotto, realizzato con tecnologia di alta qualità e all'avanguardia. Pertanto, legga questo intero manuale utente e tutti gli altri documenti allegati con attenzione prima di utilizzare il prodotto e lo conservi come riferimento per usi futuri. Se passa il prodotto ad altre persone, dia loro anche questo manuale utente. Segua tutte le avvertenze e le informazioni del manuale utente.

Significato dei simboli

I seguenti simboli sono utilizzati in diverse sezioni del presente manuale utente:

	Informazioni importanti e suggerimenti utili sull'utilizzo.
	Avvertenze di situazioni pericolose relative alla sicurezza della vita e della proprietà.
	Avvertenza di superfici calde.



Questo prodotto è stato realizzato in moderni impianti rispettosi dell'ambiente, senza causare danni alla natura.

1 Istruzioni importanti sulla sicurezza e l'ambiente

Questa sezione contiene istruzioni di sicurezza che consentono di prevenire il pericolo di incendio, scossa elettrica, esposizione all'energia delle microonde, di lesioni personali o di danni materiali. L'inosservanza di queste istruzioni invalida le garanzie accordate.

1.1 Sicurezza generale

- Non cercare di avviare il forno quando lo sportello è aperto; altrimenti si potrebbe essere esposti alle dannose energie delle microonde. I blocchi di sicurezza non devono essere disattivati né manomessi.
- Non giocare con alcun oggetto tra il lato anteriore e lo sportello del forno. Non lasciare che sporco o residui di agenti di pulizia si formino sulla superficie dell'alloggiamento.
- Qualsiasi lavoro di assistenza che includa la rimozione della copertura di protezione dall'esposizione alle energie delle microonde deve essere effettuato da personale/assistenza autorizzati. Qualsiasi altro approccio è pericoloso.
- Il prodotto è concepito per cucinare, riscaldare e scongelare gli alimenti in casa.
- Non deve essere usato a scopo commerciale. Il fabbricante non sarà ritenuto responsabile per danni provocati da errato utilizzo.
- Non utilizzare questo apparecchio all'esterno, in bagno, in ambienti umidi o in luoghi in cui può bagnarsi.
- Nessuna responsabilità né richiesta in garanzia sarà presa in considerazione per danni derivanti da cattivo utilizzo né gestione non corretta dell'apparecchio.
- Non provare mai a smontare l'apparecchio. Non saranno accettate richieste di garanzia per danni provocati da gestione non corretta.
- Usare solo parti originali o quelle consigliate dal produttore.
- Non lasciare mai questo apparecchio privo di supervisione quando è in uso.
- Usare sempre l'apparecchio su una superficie stabile, piatta, pulita, asciutta e anti-scivolo.
- Questo apparecchio non deve essere usato con timer esterno o sistema di controllo a distanza separato.

- Prima di usare l'apparecchio per la prima volta, pulire tutte le parti. Vedere i dettagli presenti nella sezione "Pulizia e manutenzione".
- Utilizzare l'apparecchio per l'uso previsto, solo secondo quanto descritto in questo manuale. Non utilizzare sostanze chimiche abrasive né vapore su questo apparecchio. Questo forno è concepito soprattutto per riscaldare e cuocere gli alimenti. Non è destinato uso industriale né di laboratorio.
- Non utilizzare l'apparecchio per asciugare abiti o strofinacci da cucina.
- L'apparecchio diventa molto caldo durante l'uso. Prestare attenzione a non toccare le parti calde all'interno del forno.
- Il forno non è concepito per asciugare esseri viventi.
- Non azionare il forno vuoto.
- Gli utensili da cucina possono diventare caldi a causa del trasferimento di calore dagli alimenti riscaldati all'utensile stesso. Potrebbe essere necessario indossare guanti da forno per tenere l'utensile.
- Bisogna controllare gli utensili per assicurarsi che siano idonei all'utilizzo nei forni a microonde.
- Non mettere il forno su stufe o su altri apparecchi che generano calore. Altrimenti potrebbe danneggiarsi e la garanzia perderebbe validità.
- Il forno a microonde non deve essere posto in un alloggiamento che non sia conforme alle istruzioni per l'installazione.
- Può essere emesso vapore quando si aprono le coperture o i fogli di rivestimento dopo la cottura degli alimenti.
- Utilizzare i guanti quando si estrae qualsiasi alimento caldo.
- L'apparecchio e le sue superfici accessibili potrebbero diventare molto caldi quando l'apparecchio è in uso.
- Sportello e vetro esterno potrebbero essere molto caldi quando l'apparecchio è in uso.

1.1.1 Sicurezza elettrica

- Il forno a microonde Beko è conforme agli standard di sicurezza applicabili; pertanto, in caso di danni all'apparecchio o al cavo di alimentazione, esso deve essere riparato o sostituito dal rivenditore, da un centro assistenza o da un centro specializzato e autorizzato per evitare danni. Lavori di riparazione errati o non autorizzati possono provocare danni e rischi per l'utente.
- Assicurarsi che l'alimentazione elettrica sia conforme alle informazioni fornite sulla targhetta di classificazione dell'apparecchio. L'unico modo per scollegare l'apparecchio dall'alimentazione è scollegare la spina elettrica dalla presa elettrica.
- Usare l'apparecchio solo con una presa con messa a terra.
- L'apparecchio non deve essere usato se questo o il cavo di alimentazione sono danneggiati.
- Non utilizzare l'apparecchio con una prolunga.
- Non toccare mai l'apparecchio o la spina elettrica con mani umide o bagnate.
- Posizionare l'apparecchio in modo tale che la spina sia sempre accessibile.
- Per evitare danni al cavo di alimentazione, evitare di schiacciarlo, piegarlo o strofinarlo su bordi taglienti. Tenere il cavo di alimentazione lontano da superfici calde e fiamme libere.
- Assicurarsi che non ci sia il rischio che il cavo di alimentazione possa essere tirato accidentalmente o che qualcuno possa passare sullo stesso quando l'apparecchio è in uso.
- Scollegare l'apparecchio prima di ogni pulizia e quando non è in uso.
- Non tirare il cavo di alimentazione dell'apparecchio per scollegarlo dall'alimentazione e non avvolgere mai il cavo attorno all'apparecchio.
- Non immergere l'apparecchio, il cavo di alimentazione o la spina elettrica in acqua o in altri liquidi. Non tenerlo sotto acqua corrente.
- Quando si riscaldano alimenti in contenitori di plastica o carta, controllare il forno frequentemente perché esiste la possibilità di incendio.

- Rimuovere strisce metalliche e/o manici di metallo dai sacchetti di carta o plastica prima di utilizzare nel forno sacchetti idonei al forno a microonde.
- Spegnere l'apparecchio o scollegarlo e tenere lo sportello chiuso per evitare incendi se si vede fumo.
- Non utilizzare la parte interna del forno per conservare oggetti. Non lasciare oggetti di carta, materiali da cucina o alimenti all'interno del forno quando non è in uso.
- Il contenuto di biberon e barattoli di alimenti per bambini deve essere mescolato o scosso e la temperatura deve essere controllata prima del consumo, per evitare ustioni.
- Questo apparecchio è un dispositivo di Gruppo 2 Classe B ISM. Il Gruppo 2 include tutti i dispositivi ISM (industriali, scientifici e medici) in cui l'energia di radio-frequenza è generata intenzionalmente e/o utilizzata in forma di radiazioni elettromagnetiche per il trattamento di materiali e dispositivi per elettroerosione.
- Gli apparecchi di Classe B sono idonei per essere usati in ambienti domestici e ambienti direttamente collegati a una rete di alimentazione elettrica a bassa tensione.
- Lo sportello o la superficie esterna dell'apparecchio può diventare calda durante l'uso.

1.1.2 Sicurezza del prodotto

- Liquidi o altri alimenti non devono essere riscaldati in contenitori chiusi perché c'è il rischio di esplosione.
- Riscaldare le bevande con le microonde può provocare la loro ebollizione con produzione di schizzi dopo l'estrazione dal forno; pertanto prestare attenzione quando si prendono i contenitori.
- Non arrostiti nulla nel forno. L'olio caldo può danneggiare i componenti e i materiali del forno e potrebbe anche provocare ustioni alla pelle.
- Forare gli alimenti con crosta spessa come patate, zucchine, mele e castagne.
- L'apparecchio deve essere posizionato in modo tale che il lato posteriore sia rivolto verso la parete.

- Se lo sportello o le guarnizioni dello sportello sono danneggiati, il forno non deve essere utilizzato finché non sia stato riparato da una persona qualificata.
- Prima di spostare l'apparecchio, fissare il piatto girevole per evitare che si danneggi.
- Non utilizzare il forno a microonde per cuocere o riscaldare uova intere, con o senza guscio.
- Non rimuovere le parti che sono dietro e ai lati dell'apparecchio, esse proteggono le distanze minime tra le pareti dell'alloggiamento e l'apparecchio per consentire l'adeguata circolazione dell'aria.
- Non utilizzare dispositivi di pulizia con vapore per pulire l'apparecchio.

1.2 Uso previsto

- Il forno a microonde è concepito solo per uso a incasso.
- Non usare l'apparecchio per scopi diversi da quello previsto.
- Non usare l'apparecchio come fonte di calore.
- Il forno a microonde è concepito solo per scongelare, cuocere e riscaldare alimenti.
- Non cuocere troppo gli alimenti; altrimenti si potrebbe provocare un incendio.

1.3 Sicurezza dei bambini

- Si consiglia attenzione estrema quando viene utilizzato vicino a bambini e persone che hanno capacità fisiche, sensoriali o mentali ridotte.
- Il presente apparecchio può essere utilizzato da bambini a partire da 8 anni di età e da persone con capacità fisiche, sensoriali o mentali limitate o che non hanno conoscenze ed esperienza, a condizione che siano sotto supervisione per un uso sicuro del prodotto o siano stati istruiti o comprendano i potenziali pericoli derivanti dall'uso del prodotto. I bambini non devono giocare con l'apparecchio.
Le procedure di pulizia e manutenzione da parte dell'utente non devono essere eseguite da bambini a meno che non ricevano supervisione da parte di adulti.
- Pericolo di soffocamento! Tenere tutti i materiali di imballaggio lontani dalla portata dei bambini.

- Consentire ai bambini di utilizzare il forno senza supervisione solo quando sono state fornite istruzioni adeguate in modo che il bambino sia in grado di usare il forno a microonde in sicurezza e comprenda i pericoli derivanti da uso non corretto.
- A causa del calore eccessivo che deriva dalle modalità grill e combinata, ai bambini deve essere consentito l'uso di queste modalità solo con la supervisione di un adulto.
- Tenere prodotto e cavo di alimentazione in modo che siano inaccessibili ai bambini di età inferiore agli 8 anni.
- L'apparecchio e le sue superfici accessibili potrebbero diventare molto caldi quando l'apparecchio è in uso. Tenere fuori dalla portata dei bambini.
- Non cuocere direttamente gli alimenti sul vassoio di vetro. Mettere gli alimenti in/su utensili appropriati per la cucina prima di metterli nel forno.

1.4 Conformità con la direttiva RAEE e lo smaltimento dei rifiuti



Questo prodotto non contiene materiali dannosi e proibiti specificati nel "Regolamento per la supervisione dei rifiuti elettrici ed elettronici" emanato dal Ministero dell'Ambiente e della

Pianificazione urbana. Conforme alla Direttiva RAEE. Questo prodotto è stato realizzato con parti e materiali di alta qualità che possono essere riutilizzati e sono adatti ad essere riciclati.

Pertanto, non smaltire il prodotto con normali rifiuti domestici alla fine del suo ciclo di vita. Portarlo ad un punto di raccolta per il riciclaggio di apparecchiature elettriche ed elettroniche. Rivolgersi all'autorità locale per i punti di raccolta. Si contribuisce a proteggere l'ambiente e le risorse naturali riciclando i prodotti usati.

1.5 Informazioni di imballaggio

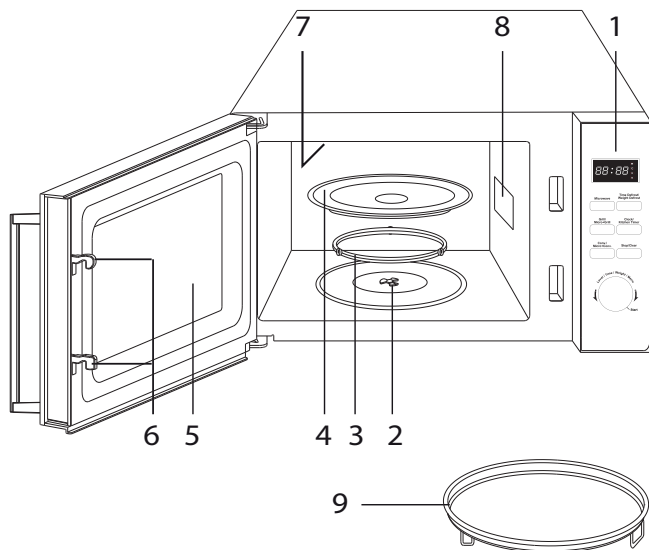


L'imballaggio del prodotto è fatto di materiali riciclabili in conformità con la normativa nazionale. Non smaltire i materiali di imballaggio con i rifiuti

domestici o altri rifiuti. Portarli ai punti di raccolta per materiali di imballaggio previsti dalle autorità locali.

2 Il forno a microonde

2.1 Panoramica



1. Pannello di controllo
2. Asta piatto girevole
3. Supporto piatto girevole
4. Vassoio di vetro
5. Vetro sportello forno
6. Sistema di interblocco di sicurezza sportello
7. Riscaldatore grill
8. Guida microonde (non rimuovere la piastra in mica che copre la guida del microonde)
9. Teglia da forno

I contrassegni sul prodotto o i valori dichiarati in altri documenti in dotazione con il prodotto sono valori ottenuti in condizioni di laboratorio secondo gli standard pertinenti. Questi valori possono variare secondo l'utilizzo dell'apparecchio e le condizioni ambientali. I valori di potenza sono testati a 230 V.

2 Il forno a microonde

2.2 Dati tecnici

	MCF25210X	MCF28310X	MCF32410X
Tensione/Frequenza	230-240 V/50 Hz,		
Ingresso di potenza - Microonde	1400 W		1500 W
Uscita di potenza - Microonde	900 W		1000 W
Potenza - Grill	1200 W	1250 W	
Potenza in ingresso (Convezione)	2250 W	2300 W	
Frequenza microonde	2450 MHz		
Diametro piatto girevole	270 mm	315 mm	
Dimensioni esterne	562x560x362 mm	608x558x366 mm	608x604x366 mm
Dimensioni cavità forno	340(L)*333(D)*240(H) mm	353(L)*345(D)*245(H) mm	368(L)*384(D)*238(H) mm
Capacità forno	25 L	28 L	32 L
Peso netto	16.8 kg	19.8 kg	21.2 kg

3 Installazione e collegamento

3.1 Installazione

1. Assicurarsi che tutti i materiali di imballaggio vengano rimossi dall'interno dello sportello.



AVVERTENZA: Verificare la presenza di eventuali danni al forno, ad esempio disallineamento o curvatura dello sportello, danneggiamento delle tenute dello sportello e della superficie di tenuta, rottura o allentamento delle cerniere e dei fermi e ammaccature all'interno della cavità o dello sportello. In caso di presenza di eventuali danni, non mettere in funzione il forno e contattare personale di assistenza qualificato.

2. Questo microonde deve essere posizionato su una superficie piana e stabile in grado di sopportarne il peso e gli alimenti più pesanti che verranno probabilmente cotti nel forno.

3. Non posizionare il forno in corrispondenza di fonti di calore, umidità o umidità elevata o in prossimità di materiali combustibili.

4. Per il corretto funzionamento, il forno deve disporre di flusso d'aria sufficiente. Lasciare minimo 20 cm di spazio libero necessario al di sopra della superficie superiore del forno e 5 cm in corrispondenza di entrambi i lati. La piastra posteriore del forno a microonde deve essere posizionata in prossimità della parete. Non coprire o ostruire eventuali aperture sull'apparecchio. Non rimuovere i piedini.

5. Non mettere in funzione il forno se sprovvisto di vassoio di vetro, supporto del rullo ed asta nelle rispettive posizioni adeguate.

6. Assicurarsi che il cavo di alimentazione sia integro e che non passi al di sotto del forno al di sopra di qualsiasi superficie calda o affilata.

7. La presa deve essere facilmente accessibile in modo da poterla facilmente estrarre in caso di emergenza.

8. Non utilizzare il forno in spazi aperti.

3.2 Interferenze radio

Il funzionamento del microonde può causare interferenze con radio, TV o apparecchiatura simile. In caso di interferenza, questa potrebbe essere ridotta o eliminata prendendo le misure seguenti:

1. Pulire lo sportello e la superficie di tenuta del forno.
2. Riorientare l'antenna di ricezione della radio o della televisione.
3. Riposizionare il forno a microonde rispetto al ricevitore.
4. Allontanare il forno a microonde dal ricevitore.
5. Inserire la spina del forno a microonde in una presa diversa in modo che il forno a microonde e il ricevitore si trovino su due diversi circuiti di diramazione.

3.3 Istruzioni di messa a terra

Per questo apparecchio deve essere effettuata la messa a terra. Questo forno è dotato di un cavo avente un filo di messa a terra con una spina di messa a terra. La spina deve essere inserita in una scatola di presa che sia correttamente installata e messa a terra. Nell'eventualità di un cortocircuito elettrico, la messa a terra riduce il rischio di scossa elettrica fornendo un filo di sicurezza per la corrente elettrica. È consigliato che venga fornito un circuito separato che alimenti unicamente il forno. L'uso di una tensione elevata è pericoloso e può dar luogo a un incendio o a un altro incidente che provoca danni al forno.



AVVERTENZA: Un uso scorretto della spina di messa a terra può determinare un rischio di scossa elettrica.



In caso di domande sulla messa a terra o sulle istruzioni elettriche, consultare un elettricista qualificato o il personale di assistenza.

3 Installazione e collegamento



Né il fabbricante né il rivenditore possono assumersi alcuna responsabilità per danni al forno o lesioni personali derivanti dalla mancata osservazione delle procedure di collegamento elettrico.

I fili in questo cavo di rete sono colorati secondo il seguente codice:

Verde e giallo = MESSA A TERRA

Blu = NEUTRO

Marrone = SOTTO TENSIONE

3.4 Principi della cottura con le microonde

1. Disporre gli alimenti con attenzione. Posizionare le aree più spesse verso l'esterno del piatto.
2. Tenere sotto controllo il tempo di cottura. Cuocere per la quantità di tempo più breve indicata e prolungare la cottura secondo necessità. Gli alimenti troppo cotti possono emanare fumo o prendere fuoco.
3. Coprire gli alimenti durante la cottura. I coperchi prevengono gli schizzi e favoriscono la cottura uniforme degli alimenti.
4. Rigrirare gli alimenti durante la cottura a microonde per velocizzare la cottura di alimenti come ad esempio pollo e hamburger. Articoli alimentari ingombranti come arrostiti devono essere rigirati almeno una volta.
5. Ridisporre gli alimenti come polpette di carne a metà cottura sia dall'alto verso il basso che dal centro del piatto verso l'esterno.

3.5 Prima di contattare l'assistenza

Se il forno non entra in funzione:

1. Assicurarsi che la spina del forno sia inserita saldamente. In caso contrario, rimuovere la spina dalla presa, attendere 10 secondi e reinserirla nuovamente saldamente.

2. Verificare la presenza di un fusibile di circuito bruciato o un interruttore di circuito di rete saltato. Una volta verificato il corretto funzionamento di questi ultimi, provare a collegare alla presa un altro apparecchio.
 3. Assicurarsi che il pannello di controllo sia programmato correttamente e che il timer sia impostato.
 4. Assicurarsi che lo sportello sia chiuso saldamente impegnando il sistema di blocco di sicurezza dello sportello. In caso contrario, l'energia a microonde non scorrerà nel forno.
- SE NESSUNA DELLE PRECEDENTI RISOLVE LA SITUAZIONE, CONTATTARE UN TECNICO QUALIFICATO. NON CERCARE DI AGGIUSTARE O RIPARARE IL FORNO SENZA ALCUNA ASSISTENZA.

3.6 Guida agli utensili

1. Le microonde non possono penetrare il metallo. Usare solo utensili idonei all'utilizzo nei forni a microonde. I contenitori metallici per alimenti e bevande non sono consentiti durante la cottura a microonde. Questo requisito non è applicabile se il fabbricante specifica la dimensione e la forma dei contenitori metallici idonei per la cottura a microonde.
2. Le microonde non possono penetrare il metallo, quindi non devono essere usati utensili o piatti con bordo metallico.
3. Non utilizzare prodotti di carta riciclata durante la cottura a microonde poiché potrebbero contenere piccoli frammenti metallici che possono provocare scintille e/o fiamme.
4. Sono consigliati piatti rotondi/ovali piuttosto che quelli quadrati/oblunghi poiché gli alimenti negli angoli tendono a cuocersi eccessivamente.
5. Strisce sottili di foglio di alluminio possono essere usate per prevenire la cottura eccessiva delle aree esposte. Tuttavia, si raccomanda di moderarne l'uso e mantenere una distanza di 1 pollice (2,54 cm) tra il foglio e la cavità.

3 Installazione e collegamento

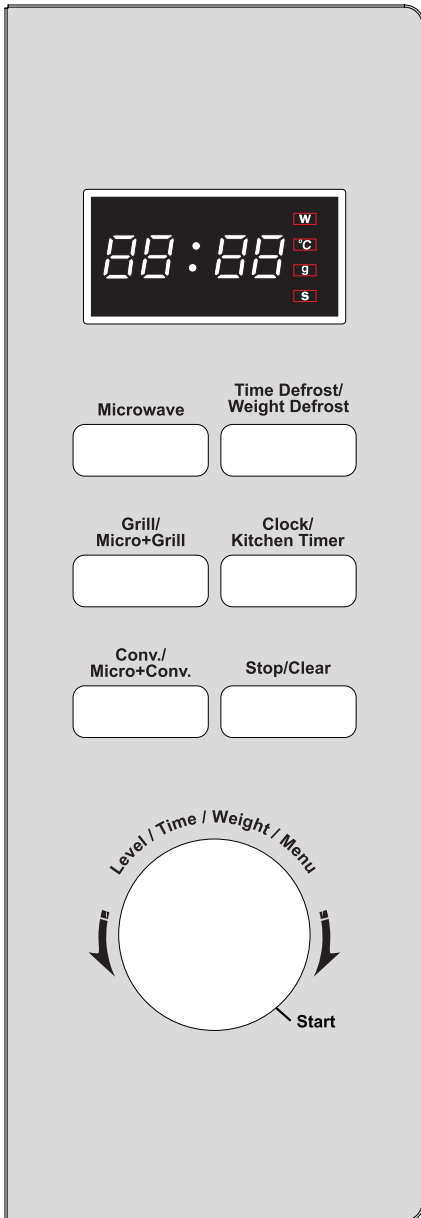
Il seguente elenco è una guida generale per facilitare la selezione degli utensili corretti.

Pentole	Microonde	Grill	Convezione	Modalità combinata*
Vetro resistente al calore	Sì	Sì	Sì	Sì
Vetro non resistente al calore	No	No	No	No
Ceramica resistente al calore	Sì	Sì	Sì	Sì
Piatto di plastica a prova di microonde	Sì	No	No	No
Carta da cucina	Sì	No	No	No
Vassoio di metallo	No	Sì	Sì	No
Piastra da forno	No	Sì	Sì	No
Foglio di alluminio e contenitore di foglio	No	Sì	Sì	No

*Modalità combinata: applicabile sia per la cottura "micro+grill" che per la cottura "micro+convezione".

4 Funzionamento

4.1 Pannello di controllo



4.2 Schermata di azione del menu

- Vengono visualizzati tempo di cottura, potenza, indicatori di azione e tempo dell'orologio.

“Microonde”

- Premere questo pulsante per impostare il programma di cottura a microonde.

“Timer orologio/cucina”

- Premere per impostare il tempo dell'orologio.
- Premere la funzione Imposta timer da cucina.

Conv/Micro + Conv.

- Premere per programmare la cottura a convezione.
- Premere per selezionare una delle quattro impostazioni di cottura in modalità combinata.

“Grill/Micro+Grill”

- Premere per impostare il programma grill.
- Premere per selezionare una delle quattro impostazioni di cottura in modalità combinata.

“Stop/Cancel”

- Premere per cancellare l'impostazione o ripristinare il forno prima di impostare il programma di cottura.
- Premere una volta per interrompere temporaneamente la cottura o due volte per annullare completamente la cottura.

(Manopola) “Livello/Tempo/Peso/Menu”

- Ruotare la manopola per inserire il tempo di cottura.
- Ruotare la manopola per selezionare un menu di cottura automatica.
- Ruotare la manopola per selezionare il livello di potenza di cottura a microonde.
- Ruotare la manopola per selezionare la temperatura di cottura a convezione.

“Avvio” (la manopola)

- Premere una volta per avviare un programma di cottura.

4 Funzionamento

- Premerla semplicemente una serie di volte per impostare il tempo di cottura e cucinare immediatamente a livello di potenza massima.

Scongelamento a tempo/ Scongelamento a peso

- Premere una volta per impostare il programma di scongelamento in base al tempo inserito.
- Premere due volte per impostare il programma di scongelamento in base al tempo inserito.

4.3 Come impostare i comandi del forno

- Quando la spina del forno viene inserita per la prima volta, verrà emesso un segnale acustico e sul display verrà visualizzato "1:01".
- Durante la cottura, se si preme una volta il tasto "Stop/Cancel", il programma verrà sospeso, quindi premere il tasto "Avvio" per riprendere, ma se si preme due volte "Stop/Cancel", il programma verrà annullato.
- Dopo aver terminato la cottura, il sistema emetterà segnali acustici per avvisare l'utente ogni due minuti fino a che l'utente non preme il tasto "Stop/Cancel" o apre lo sportello.
- Il sistema di controllo elettronico del forno a microonde dispone della funzione di raffreddamento. Come per qualsiasi modalità di cottura il cui tempo di cottura è superiore a 2 minuti, aprire lo sportello o il programma di cottura verrà sospeso; la ventola del forno continuerà a funzionare automaticamente per circa 3 minuti per raffreddare il forno per prolungare la durata del forno.

4.4 Impostazione del tempo dell'orologio

Questo è un orologio a 12 o 24 ore. È possibile selezionarlo toccando il tasto Orologio/Cucina.

PER ESEMPIO: Supponiamo che si desideri impostare il tempo dell'orologio del forno su 8:30.

1. Premere e tenere premuto "Orologio/Timer da cucina" per 3 secondi per selezionare il ciclo di orologio a 12 ore (se si desidera selezionare l'orologio a 24 ore, premere di nuovo il tasto).
2. Ruotare la manopola Livello/Tempo/Peso/Menu per impostare la cifra dell'ora 8.
3. Premere una volta il tasto "Orologio/Timer da cucina" per confermare l'impostazione dell'ora.
4. Ruotare la manopola "Livello/Tempo/Peso/Menu" per impostare la cifra del minuto 30.
5. Premere una volta il tasto "Orologio/Timer da cucina" per confermare l'impostazione.



Per verificare il tempo mentre il forno è in funzione, premere il tasto "Orologio/Timer da cucina", quindi il tempo corrente verrà visualizzato per un po' di tempo sullo schermo del display.

4.5 Avvio rapido

Il forno cuocerà gli alimenti velocemente a potenza ELEVATA (uscita di potenza al 100%) per il programma di cottura ad avvio rapido.

Premere semplicemente una serie di volte la manopola "Avvio" per impostare il tempo di cottura, il forno inizierà a funzionare automaticamente a massima potenza. Il tempo di cottura massimo che si può inserire è 10 minuti.

4.6 Cottura a microonde

Per la cottura "a microonde", possono essere impostati il livello della potenza di cottura e il tempo di cottura. Il tempo di cottura più lungo è 95 minuti. Per esempio, supponiamo che si desideri cuocere per 10 minuti a 450 W di potenza "a microonde".

1. Premere una volta il pulsante "Microonde" e quindi ruotare la manopola "Livello/Tempo/Peso/Menu" per selezionare il livello della potenza di cottura.
2. Premere "Avvio" per confermare.
3. Ruotare la manopola "Livello/Tempo/Peso/Menu" per impostare il tempo di cottura.

4 Funzionamento

4. Premere "Avvio".



Vi sono 11 tipi di livelli di potenza di cottura (P100, P-90, P-80, P-70, P-60, P-50, P-40, P-30, P-20, P-10, P-00) tra cui è possibile scegliere ruotando la manopola "Livello/Tempo/Peso/Menu".

Durante la cottura, è possibile verificare il livello di potenza toccando il tasto "Microonde".

2. Ruotare la manopola "Livello/Tempo/Peso/Menu" per inserire il tempo di scongelamento.

3. Premere "Avvio" per confermare.



Il forno si arresta dopo lo scongelamento per consentire all'utente di rigirare gli alimenti per uno scongelamento uniforme e quindi premere "Avvio" per scongelare per il tempo rimanente.

4.7 Scongelamento a tempo

Il forno consente di scongelare gli alimenti in base al peso inserito dall'utente. Il tempo di scongelamento e il livello di potenza vengono automaticamente impostati una volta che la categoria e il peso degli alimenti vengono programmati. Gli alimenti congelati variano da 100 g a 1800 g.

1. Nella modalità di attesa, premere due volte il tasto Scongelamento a tempo/Scongelamento a peso.
2. Ruotare la manopola "Livello/Tempo/Peso/Menu" per selezionare il peso degli alimenti da scongelare.
3. Premere "Avvio" per confermare.



Il forno si arresta dopo lo scongelamento per consentire all'utente di rigirare gli alimenti per uno scongelamento uniforme e quindi premere "Avvio" per scongelare per il tempo rimanente.

Il forno non cuocerà in modo adeguato se per caso è stato inserito peso in eccesso rispetto al massimo consentito.

4.8 Scongelamento a tempo

Il forno consente di scongelare gli alimenti in base al tempo inserito dall'utente.

1. Nella modalità di attesa, premere una volta il tasto "Scongelamento a tempo/Scongelamento a peso".

4.9 Grill

Il forno consente di cuocere al grill gli alimenti in base al tempo inserito dall'utente. Il tempo di cottura più lungo è 95 minuti.

1. Premere una volta il "pulsante Grill/Micro+Grill".
2. Premere "Avvio" per confermare.
3. Ruotare la manopola "Livello/Tempo/Peso/Menu" per inserire il tempo di cottura.
4. Premere "Avvio".

4.10 Micro + Grill

Il tempo di cottura più lungo è 95 minuti. Questa funzione consente di combinare la cottura a grill e "a microonde" su due impostazioni diverse.

4.10.1 Modalità combinata 1

Il 30% del tempo per la cottura "a microonde", il 70% per la cottura al grill. Utilizzare per pesce, patate o gratinature.

Supponiamo che si desideri impostare la cottura in modalità combinata 1 per 25 minuti.

1. Premere due volte il pulsante "Grill/Micro+Grill" e quindi ruotare la manopola "Livello/Tempo/Peso/Menu" fino a che sul display non viene visualizzato "Gr2".
2. Premere "Avvio" per confermare.
3. Ruotare la manopola "Livello/Tempo/Peso/Menu" per inserire il tempo di cottura.
4. Premere il pulsante "Avvio".

4 Funzionamento

4.10.2 Modalità combinata 2

Il 55% del tempo per la cottura "a microonde", il 45% per la cottura al grill. Utilizzare per dolci, frittate, patate al forno e pollame.

Supponiamo che si desideri impostare la cottura in modalità combinata 2 per 12 minuti.

1. Premere due volte il pulsante "Grill/Micro+Grill" e quindi ruotare la manopola "Livello/Tempo/Peso/Menu" fino a che sul display non viene visualizzato "Gr3".
2. Premere "Avvio" per confermare.
3. Ruotare la manopola "Livello/Tempo/Peso/Menu" per inserire il tempo di cottura.
4. Premere il pulsante "Avvio".

4.11 Convezione

Durante il tempo di convezione, aria calda viene fatta circolare attraverso la cavità del forno per dorare e conferire croccantezza agli alimenti in modo rapido e uniforme. Questo forno può essere programmato per dieci diverse temperature di cottura. Il tempo massimo di cottura che l'utente può impostare è 95 minuti.

Cottura con convezione

Per la cottura con convezione, premere una volta il tasto "Conv/Micro+Conv." e quindi ruotare in senso orario la manopola "Livello/Tempo/Peso/Menu" per inserire la temperatura di convezione desiderata (110°C, 120°C, 130°C, 140°C, 150°C, 160°C, 170°C, 180°C, 190°C, 200°C).

Supponiamo che si desideri cucinare a 180°C per 40 minuti.

1. Nella modalità di attesa, posizionare l'alimento nel forno e chiuderlo.
2. Premere una volta il tasto "Conv/Micro+Conv." e quindi ruotare in senso orario la manopola "Livello/Tempo/Peso/Menu" per inserire la temperatura di convezione 180°C.
3. Premere "Avvio" per confermare.

4. Ruotare la manopola "Livello/Tempo/Peso/Menu" per inserire il tempo di cottura (il tempo più lungo è 95 min).

5. Premere il pulsante "Avvio".



È possibile verificare la temperatura di convezione mentre la cottura è in funzione toccando il tasto "Conv/Micro+Conv.".

Preriscaldamento e cottura con convezione

Il forno può essere programmato per combinare le operazioni di preriscaldamento e cottura a convezione.

Supponiamo che si desideri preriscaldare a 170°C e quindi cuocere 35 minuti.

1. Nella modalità di attesa, posizionare l'alimento nel forno e chiuderlo.
2. Premere una volta il tasto "Conv/Micro+Conv." e quindi ruotare in senso orario la manopola "Livello/Tempo/Peso/Menu" per inserire la temperatura di convezione 170°C.
3. Premere "Avvio" per confermare e premere di nuovo il tasto "Avvio".
4. Quando il forno raggiunge la temperatura designata, viene emesso un "bip" per 5 sec per avvisare l'utente.
5. Aprire lo sportello e posizionare il contenitore dell'alimento al centro del piatto girevole.
6. Ruotare la manopola "Livello/Tempo/Peso/Menu" per impostare il tempo di cottura.
7. Premere il pulsante "Avvio".



Il tempo di preriscaldamento più lungo è 30 minuti; il tempo di riscaldamento non può essere impostato. Quando raggiunge la temperatura di preriscaldamento, il forno emetterà un segnale acustico ogni 5 secondi, se non vi è alcuna operazione entro 30 minuti, il programma terminerà automaticamente.

4 Funzionamento

4.12 Micro+convezione

Il forno ha quattro impostazioni pre-programmate che facilitano la cottura sia con riscaldamento a convezione sia "a microonde" in modo automatico. Il tempo massimo di cottura che l'utente può impostare è 95 minuti.

Premere due volte il pulsante "Conv/Micro+Conv." e quindi ruotare la manopola "Livello/Tempo/Peso/Menu" per programmare la temperatura di convezione (200C→170C→140C→110C).

1. Nella modalità di attesa, posizionare l'alimento nel forno e chiuderlo.
2. Premere due volte il pulsante "Conv/Micro+Conv.",
3. Ruotare la manopola "Livello/Tempo/Peso/Menu" per indicare la temperatura di convezione.
4. Premere "Avvio" per confermare.
5. Ruotare la manopola "Livello/Tempo/Peso/Menu" per impostare il tempo di cottura.
6. Premere il pulsante "Avvio".



Durante la cottura, è possibile verificare la temperatura di convezione mentre la cottura è in funzione premendo il pulsante "Conv/Micro+Conv.",

4.13 Impostazione del timer da cucina

È possibile impostare il timer da cucina per ricordare all'utente il tempo di cottura. Il tempo più lungo che è possibile impostare è 95 minuti.

Supponiamo che si desideri impostare il timer da cucina per 30 minuti:

1. Premere una volta il tasto "Orologio/Timer da cucina".
2. Ruotare la manopola digitale "Livello/Tempo/Peso/Menu" per impostare 30:00.
3. Premere "Avvio" per confermare.



Quando il timer è in funzione, è possibile premere "Orologio/Timer da cucina" per visualizzare il tempo del timer per 5 secondi e premere "Stop/Cancel" entro 5 secondi per annullarlo.

4.14 Blocco bambini

Utilizzare per impedire il funzionamento senza supervisione del forno da parte di bambini piccoli. L'indicatore BLOCCO BAMBINI comparirà sullo schermo del display e il forno non può essere messo in funzione mentre il BLOCCO BAMBINI è impostato.

Impostazione del BLOCCO BAMBINI:

Nella modalità standby, senza alcuna operazione entro un minuto, il forno entrerà automaticamente in modalità blocco bambini e tutti i pulsanti verranno bloccati.

Annullamento del BLOCCO BAMBINI:

Nella modalità blocco bambini, l'apertura o la chiusura dello sportello del forno può annullare il programma.

4.15 Protezione

4.15.1 Protezione da surriscaldamento

Quando il sistema entra nello stato di protezione da temperatura estremamente elevata, sul display digitale viene visualizzato "E01" e questo continua a suonare fino alla risoluzione del problema, quindi premere il pulsante "Stop/Cancel" e il sistema ritornerà nella normale modalità standby.

4.15.2 Protezione da bassa temperatura

Quando il sistema entra nello stato di protezione da temperatura estremamente bassa, sul display digitale viene visualizzato "E02" e questo continua a suonare fino a che non viene premuto il pulsante "Stop/Cancel", il sistema ritornerà nella normale modalità standby.

4 Funzionamento

4.15.3 Protezione da malfunzionamento di sensore

Il sistema entra nella modalità di protezione quando il sensore di sistema entra in corto circuito. Sul display viene visualizzato "E03" e questo continua a suonare fino a che non viene premuto "Stop/Cancella" e il sistema tornerà nella normale modalità standby.

4.16 Cottura automatica

Per gli alimenti o l'operazione di cottura seguenti, non è necessario inserire la potenza e il tempo di cottura. Cercare di concentrarsi nell'impostare il forno per il tipo di alimento e il relativo peso desiderati. Il forno comincerà a funzionare dopo aver premuto "Avvio".

Per esempio:

1. Nella modalità di attesa, ruotare la manopola "Livello/Tempo/Peso/Menu" in senso antiorario per selezionare il codice dell'alimento.
2. Premere una volta "Avvio".
3. Ruotare la manopola "Livello/Tempo/Peso/Menu" per selezionare il peso desiderato.
4. Premere il pulsante "Avvio".

Menu cottura automatica

Codice	Alimento	
A-1	Latte/Caffé (200 ml/ tazza)	NOTE: 1. Per latte/caffé e patate, sullo schermo comparirà il numero di porzioni anziché il peso dell'alimento. 2. Per l'articolo A-7 il forno si arresta durante lo scongelamento per consentire all'utente di rigirare l'alimento per uno scongelamento uniforme e quindi premere "Avvio" per esaurire il tempo rimanente. 3. L'esito della cottura automatica dipende da fattori quali la fluttuazione della tensione, la forma e la dimensione degli alimenti, la preferenza personale riguardo all'ultimazione della cottura di determinati alimenti e persino il grado di correttezza nel posizionare gli alimenti nel forno. Se si ritiene che l'esito non sia sufficientemente soddisfacente, regolare appropriatamente di conseguenza il tempo di cottura.
A-2	Popcorn (99 g)	
A-3	Spaghetti (g)	
A-4	Patate (230 g/unità)	
A-5	Riscaldamento automatico (g)	
A-6	Pesce (g)	
A-7	Pollo (g)	
A-8	Pizza (g)	
A-9	Torta (475 g)	

5 Pulizia e manutenzione

5.1 Pulizia e manutenzione

1. Spegnerne il forno e rimuovere la spina di alimentazione dalla presa a parete prima della pulizia.
2. Mantenere pulita la parte interna del forno. Quando gli alimenti schizzano o liquidi versati aderiscono alle pareti aperte, pulire con un panno umido. Può essere utilizzato un detergente delicato se il forno si sporca molto. Evitare l'uso di detersivi spray e altri detersivi aggressivi poiché potrebbero macchiare, rigare o sbiadire la superficie dello sportello.
3. Le superfici esterne devono essere pulite con un panno umido. Per evitare di danneggiare le parti di funzionamento all'interno del forno, evitare lo sgocciolamento di acqua nelle aperture di ventilazione.
4. Pulire con frequenza entrambi i lati dello sportello e della finestra, le tenute dello sportello e le parti adiacenti con un panno umido per rimuovere eventuali gocce o schizzi. Non utilizzare un detergente abrasivo.
5. Evitare l'uso di un pulitore a vapore.
6. Evitare di bagnare il pannello di controllo. Pulire con un panno morbido umido. Durante la pulizia del pannello di controllo, lasciare lo sportello aperto per evitare che il forno si accenda inavvertitamente.
7. Se si accumula vapore all'interno o attorno alla parte esterna dello sportello del forno, pulire con un panno morbido. Questo può verificarsi quando il forno a microonde è utilizzato in condizione di alta umidità. Ciò è normale.
8. Di tanto in tanto, è necessario rimuovere il vassoio di vetro per la pulizia. Lavare il vassoio in acqua calda saponata o in lavastoviglie.
9. L'anello del rullo e la base del forno devono essere puliti regolarmente per evitare rumori eccessivi. Pulire semplicemente la superficie posteriore del forno con un detergente delicato. L'anello del rullo deve essere lavato in acqua calda saponata o in lavastoviglie. Durante

la rimozione dell'anello del rullo dalla superficie della cavità per la pulizia, assicurarsi di riposizionarlo nella posizione corretta.

10. Rimuovere gli odori dal forno mescolando un bicchiere d'acqua con il succo e la scorza di un limone in una ciotola da microonde profonda, scaldare nel microonde per 5 minuti. Pulire accuratamente ed asciugare con un panno morbido.
11. Quando si rende necessario sostituire la lampadina del forno, consultare un rivenditore per effettuare la sostituzione.
12. Il forno deve essere pulito regolarmente e tutti i depositi di cibo devono essere rimossi. Se non si è in grado di mantenere il forno in condizioni pulite, la superficie potrebbe deteriorarsi e avere un effetto negativo sulla durata dell'apparecchio e dare origine anche a situazioni pericolose.
13. Non smaltire questo apparecchio nel bidone dell'immondizia domestica; deve essere smaltito nel centro di smaltimento specifico messo a disposizione dai comuni.
14. Quando il forno del microonde con funzione grill viene usato per la prima volta, può emanare fumo e odore. Si tratta di un fenomeno normale poiché il forno è realizzato in una piastra in acciaio rivestita con olio lubrificante e il nuovo forno produrrà fumi e odore generati dalla combustione dell'olio lubrificante. Questo fenomeno scomparirà dopo un periodo di utilizzo.

5.2 Conservazione

- Se non si intende utilizzare l'apparecchio per un periodo prolungato, conservarlo con cura.
- Assicurarsi che l'apparecchio sia scollegato, raffreddato e completamente asciutto.
- Conservare l'apparecchio in un luogo fresco e asciutto.
- Tenere l'apparecchio lontano dalla portata dei bambini.

5.3 Movimentazione e trasporto

- Durante la movimentazione e il trasporto, trasportare l'apparecchio nel suo imballaggio originale. L'imballaggio lo proteggerà contro eventuali danni materiali.
- Non posizionare carichi pesanti sull'apparecchio o sul suo imballaggio. L'apparecchio potrebbe danneggiarsi.
- Un'eventuale caduta del dispositivo potrebbe renderlo non funzionante o provocare danni permanenti.

6 Ricerca e risoluzione dei problemi

Normale	
Il forno a microonde interferisce con la ricezione TV.	La ricezione radio e TV può essere influenzata dal funzionamento del forno a microonde. È simile all'interferenza provocata da piccoli apparecchi elettrici, come mixer, aspirapolvere e ventilatore elettrico. Ciò è normale.
La luce del forno è scura.	Con la cottura a microonde a bassa potenza, la luce del forno potrebbe oscurarsi. Ciò è normale.
Accumulo di vapore sullo sportello, aria calda che fuoriesce dalle aperture	Durante la cottura, può prodursi vapore dagli alimenti. La maggior parte di questo vapore fuoriesce dalle aperture. Ma potrebbe accumularsene un po' su una parte fredda, come lo sportello del forno. Ciò è normale.
Forno avviato in modo accidentale senza alimenti all'interno.	Non è consentito utilizzare l'apparecchio senza alimenti dentro. È molto pericoloso.

Problema	Possibile causa	Soluzione
Il forno non si avvia.	1) Il cavo di alimentazione non è collegato correttamente.	Scollegare. Poi ricollegare di nuovo dopo 10 secondi.
	2) Il fusibile è bruciato o è attivato l'interruttore di circuito.	Sostituire il fusibile o reimpostare l'interruttore di circuito (farlo riparare da un professionista della nostra azienda).
	3) Problemi con la presa elettrica.	Testare la presa con altri apparecchi elettrici.
Il forno non si riscalda.	4) Lo sportello non è chiuso bene.	Chiudere bene lo sportello.
Il piatto girevole fa rumore quando il forno a microonde è in funzione.	5) Il piatto girevole e la parte bassa del forno sono sporchi.	Vedere la sezione "Pulizia e manutenzione" per pulire le parti sporche.



CERTIFICATO DI GARANZIA

La presente garanzia commerciale si intende aggiuntiva e non sostitutiva di ogni altro diritto di cui gode il consumatore, intendendo per consumatore esclusivamente colui che utilizza il bene per scopi estranei all'attività imprenditoriale o professionale eventualmente svolta e pertanto per uso domestico/privato, e in particolare non pregiudica in alcun modo i dritti del consumatore stabiliti dal Dlgs 206/05. BEKO Italy S.r.l. in conformità alla facoltà prevista dalla legge, offre al consumatore una garanzia commerciale aggiuntiva, nei termini e nei modi di seguito indicati.

Questo certificato non deve essere spedito per la convalida. E' valido e operante solo se conservato assieme alla ricevuta fiscale o altro documento reso fiscalmente obbligatorio.

Condizioni di Garanzia

1. BEKO Italy S.r.l. garantisce l'apparecchio per un periodo di 2 anni dalla data di acquisto (12 mesi se acquistato con fattura di vendita e non con scontrino fiscale).
2. La garanzia è valida esclusivamente sul territorio italiano compresa la Repubblica di San Marino e la città del Vaticano e deve essere comprovata da scontrino fiscale o fattura, che riporti il nominativo del Rivenditore, la data di acquisto dell'apparecchio nonché gli estremi i identificativi dello stesso (tipo, modello).
3. Per garanzia s'intende la sostituzione o riparazione gratuita delle parti componenti l'apparecchio che sono risultate difettose all'origine, per vizi di fabbricazione.
4. L'utente decade dai dritti di garanzia se non denuncia il difetto di conformità entro 2 mesi dalla scoperta dello stesso.
5. Diritto di Chiamata: gratuita per i primi 12 mesi di garanzia, a pagamento per gli altri 12 mesi nel caso l'utente non sia in grado di provare che il difetto sia dovuto a vizio di conformità del prodotto.
6. Manodopera e ricambi gratuiti per i 24 mesi del periodo di garanzia.
7. L'intervento di riparazione viene effettuato presso il centro di assistenza reperibile presso il call centre e sul sito www.beko.it, fatto salvo i casi di impossibilità oggettiva o di forza maggiore.
8. La riparazione o sostituzione dei componenti o dell'apparecchio stesso, non estendono la durata della garanzia.
9. Tutte le parti asportabili e tutte le parti estetiche, non sono coperte da garanzia.
10. Tutti i materiali soggetti ad usura non sono coperti da garanzia a meno che venga dimostrata la difettosità risalente a vizio di fabbricazione delle stesse.
11. La BEKO Italy S.r.l. declina ogni responsabilità per eventuali danni che possano derivare, direttamente od indirettamente, a persone e cose come conseguenza del mancato rispetto delle istruzioni tutte, incluse nell'apposito Manuale per l'uso dell'apparecchio allegato a ciascuno apparecchio, da parte dell'utente ed in particolar modo per quanto concerne le avvertenze relative alla installazione, all'uso ed alla manutenzione dell'apparecchio stesso.
12. La garanzia non diventa operante e l'assistenza sarà effettuata totalmente a pagamento nei seguenti casi:
 - a. Danni dovuti al trasporto o alla movimentazione delle merci.
 - b. Interventi di installazione e montaggio, così come l'errata connessione o errata erogazione dalle reti di alimentazione, mancanza di allacciamento alla presa di terra.
 - c. Installazione errata, imperfetta o incompleta, per incapacità d'uso da parte dell'Utente, se mancano gli spazi necessari ad operare attorno ai prodotti, per eccessiva o scarsa temperatura dell'ambiente.
 - d. Interventi nei quali non è stato riscontrato il difetto lamentato, o per generici problemi di funzionamento causati da errata impressione del cliente
 - e. Danni causati da agenti atmosferici (fulmini, terremoti, incendi, alluvioni, ecc.)
 - f. Se il numero di matricola risulta asportato, cancellato o manomesso.
 - g. Riparazioni, modifiche o manomissioni effettuate da persone non autorizzate dal produttore o comunque per cause non dipendenti dal prodotto. Per guasti dovuti a mancanza di regolare manutenzione (pulizia e manutenzione del prodotto.).
 - h. Mancanza dei documenti fiscali o se gli stessi risultano contraffatti o non inerenti al prodotto.
 - i. L'uso improprio dell'apparecchio, non di tipo domestico o diverso da quanto stabilito dal produttore, fa decadere il dritto alla Garanzia.
 - j. Per tutte le circostanze esterne che non siano riconducibili a difetti di fabbricazione dell'elettrodomestico.
 - k. Si intendono a pagamento anche tutti gli eventuali trasporti necessari per lo svolgimento degli interventi legati ai casi citati.

Il Servizio Assistenza di BEKO Italy S.r.l. è l'unico autorizzato a riparare i prodotti a marchio BEKO. Per ogni controversia è competente il foro di Milano.

Durante e dopo il periodo di garanzia, vi consigliamo di rivolgervi sempre ai nostri centri di assistenza autorizzati. Per contattare il Centro di Assistenza Tecnica Autorizzato operante nella sua zona chiami il numero unico per l'Italia:

02.03.03

Prima di contattare l'assistenza tecnica, al fine di agevolare la gestione della chiamata, è necessario avere a portata di mano il modello del prodotto e il documento fiscale di acquisto.




Proszę najpierw przeczytać tę instrukcję obsługi!

Drodzy Klienci,

Dziękujemy za wybór wyrobu marki Beko. Mam nadzieję, że wyrob ten, wyprodukowany przy użyciu wysokiej jakości najnowszej technologii, okaże się w najwyższym stopniu zadowalający. Dlatego proszę przed jego użyciem uważnie przeczytać całą tę instrukcję obsługi i towarzyszące jej dokumenty i zachować ją do wglądu na przyszłość. Przy przekazaniu tego wyrobu komuś innemu, proszę oddać mu także tę instrukcję. Proszę przestrzegać wszystkich ostrzeżeń i informacji z tej instrukcji obsługi.

Znaczenie symboli

W różnych rozdziałach niniejszej instrukcji stosuje się następujące symbole:

	Ważne informacje i przydatne wskazówki dotyczące użytkowania.
	Ostrzeżenia dotyczące sytuacji zagrażających bezpieczeństwu, życiu i mieniu.
	Ostrzeżenie przed gorącymi powierzchniami.



Urządzenie zostało wyprodukowane w nowoczesnych, bezpiecznych dla środowiska zakładach bez wpływu na przyrodę.

Urządzenie jest zgodne z dyrektywą WEEE.



Nie zawiera bifenyli polichlorowanych (PCB).

Rozdział ten zawiera instrukcje zachowania bezpieczeństwa, które pomogą chronić się przed ryzykiem pożaru, porażenia prądem elektrycznym, wycieku mikrofal, obrażeniami ciała lub szkodami w mieniu. Nieprzestrzeganie tych instrukcji unieważnia udzielone gwarancje.

1.1 Bezpieczeństwo: Zasady ogólne

- Nie próbuj uruchamiać kuchenki, kiedy jej drzwiczki są otwarte; w ten sposób możesz narazić się na działanie szkodliwego promieniowania mikrofalowego. Nie należy wyłączać blokad ani przy nich manipulować.
- Nie wkładaj żadnych przedmiotów między przód na drzwiczki kuchenki. Nie dopuść do gromadzenia się zabrudzeń lub pozostałości środków czystości na powierzchniach zamykających.
- Wszystkie prace serwisowe wymagające zdjęcia pokrywy chroniącej przed ekspozycją na promieniowanie mikrofalowe muszą być wykonywane przez autoryzowane osoby/serwis. Każdy inny sposób postępowania jest niebezpieczny.
- Produkt jest przeznaczony do gotowania, podgrzewania i rozmrażania żywności w warunkach domowych. Nie należy go używać do celów komercyjnych. Producent nie ponosi żadnej odpowiedzialności za szkody wynikłe z nieprawidłowego użytkowania.
- Nie używaj tego urządzenia na zewnątrz, w łazience, wilgotnym środowisku lub w miejscach, gdzie może ono ulec zamoczeniu.
- Producent nie ponosi odpowiedzialności ani nie udziela żadnej gwarancji w przypadku szkód poniesionych z powodu nieprawidłowego użytkowania urządzenia lub nieprawidłowego obchodzenia się z nim.
- Nigdy nie należy próbować rozkładać tego urządzenia na części. Gwarancja na urządzenie nie obejmuje uszkodzeń spowodowanych nieprawidłowym obchodzeniem się z nim.
- Należy stosować wyłącznie oryginalne lub zalecane przez producenta części zamienne.
- Nie wolno zostawiać tego urządzenia bez dozoru, gdy jest używane.

- Zawsze używaj tego urządzenie na stabilnej, płaskiej, czystej i nieśliskiej powierzchni.
- Urządzenia tego nie wolno używać razem z zewnętrznym zegarem lub osobnym systemem zdalnego sterowania.
- Przed pierwszym użyciem tego urządzenia oczyścić wszystkie jego części. Dokładne instrukcje podano w rozdziale „Czyszczenie i konserwacja”.
- To urządzenie należy używać tylko zgodnie z jego przeznaczeniem, w sposób opisany w niniejszej instrukcji. Nie używać ściernych środków czyszczących ani pary na tym urządzeniu. Ta kuchenka jest przeznaczona przede wszystkim do podgrzewania i gotowania żywności. Nie jest przeznaczona do użytku przemysłowego ani laboratoryjnego.
- Nie używaj urządzenia do suszenia ubrań ani ścierek kuchennych.
- Urządzenie bardzo się nagrzewa w trakcie używania. Uważaj, aby nie dotknąć gorących części wewnątrz kuchenki.
- Kuchenka nie jest przeznaczona do suszenia żadnej istoty żywej.
- Nie uruchamiaj kuchenki, kiedy jest pusta.
- Przybory kuchenne mogą się nagrzać ciepłem przeniesionym na nie z podgrzewanego jedzenia. Do trzymania przyborów może być konieczne użycie rękawiczek.
- Sprawdzaj, czy przybory nadają się do użytku w kuchenkach mikrofalowych.
- Nie umieszczaj kuchenki na piecach lub innych urządzeniach wytwarzających ciepło. W takim przypadku może ulec uszkodzeniu, a gwarancja utraci ważność.
- Kuchenki mikrofalowej nie można umieszczać w szafce niezgodnej z instrukcjami montażu.
- Para może się wydobywać podczas zdejmowania pokrywki lub folii po ugotowaniu potrawy.
- Podczas wyjmowania każdego rodzaju podgrzewanych potraw należy używać rękawic.
- Urządzenie i jego dostępne powierzchnie mogą być bardzo gorące w trakcie użytkowania.
- Drzwiczki i zewnętrzna powierzchnia szklana mogą być bardzo gorące w trakcie użytkowania.

1.1.1 Bezpieczeństwo: Elektryczność

- Kuchenka mikrofalowa firmy Beko spełnia wszystkie wymogi stosownych norm bezpieczeństwa. W przypadku jakiegokolwiek uszkodzenia urządzenia lub przewodu zasilającego, aby uniknąć wszelkich zagrożeń należy oddać je do naprawy lub wymiany przez sprzedawcę, punkt serwisowy lub specjalistę albo autoryzowany serwis. Błędna lub niefachowa naprawa może być niebezpieczna i powodować zagrożenie dla użytkowników.
- Zasilanie z domowej sieci elektrycznej musi być zgodne z informacjami podanymi na tabliczce znamionowej tego urządzenia. Jedyny sposób, aby odłączyć urządzenie to od zasilania, to wyjęcie wtyczki z gniazdka sieciowego.
- Używaj urządzenia tylko wtedy, jeśli jest podłączone do gniazdka z uziemieniem.
- Urządzenia tego nie wolno nigdy używać, jeśli przewód zasilający lub ono samo są uszkodzone
- Nie używaj przedłużaczy razem z tym urządzeniem.
- Nigdy nie dotykaj urządzenia ani jego wtyczki wilgotnymi lub mokrymi dłońmi.
- Urządzenie ustaw tak, aby zawsze był możliwy dostęp do wtyczki.
- Aby zapobiec uszkodzeniu przewodu zasilającego nie wolno dopuścić do jego ściskania, zginania ani ocierania o ostre krawędzie. Trzymaj przewód zasilający z dala od gorących powierzchni i otwartego ognia.
- Zadbaj, aby podczas używania tego urządzenia nie doszło do przypadkowego wypięcia przewodu zasilania ani potknięcia się o niego.
- Przed każdym czyszczeniem urządzenia i gdy nie jest ono używane należy wyjąć wtyczkę z gniazdka ściennego.
- Nie ciągnij za przewód zasilający, aby odłączyć to urządzenie od zasilania i nigdy nie owijaj przewodu zasilającego wokół urządzenia.
- Urządzenia, przewodu zasilającego ani wtyczki nie wolno zanurzać w wodzie ani w innym płynie. Nie trzymaj tego urządzenia pod bieżącą wodą.

- Podczas podgrzewania potraw w plastikowych lub papierowych pojemnikach często sprawdzaj kuchenkę ze względu na ryzyko zapłonu.
- Z papierowych lub plastikowych torebek dostosowanych do użycia w kuchenke mikrofalowej usuń druty i/lub metalowe uchwyty przed umieszczeniem ich w kuchenke.
- Jeśli zauważysz dym, wyłącz urządzenie lub wyciągnij wtyczkę i zostaw zamknięte drzwiczki, aby zapobiec zapłonowi.
- Nie używaj wnętrza kuchenki do przechowywania rzeczy. Nie zostawiaj wewnątrz kuchenki papierowych rzeczy, przyborów do gotowania ani jedzenia, jeśli nie jest ona używana.
- Należy zamieszać lub wstrząsnąć zawartość butelek do karmienia i słoiczków z jedzeniem dla dzieci oraz sprawdzić jej temperaturę przed spożyciem, aby uniknąć poparzeń.
- To urządzenie jest sprzętem grupy 2 klasa B ISM. Grupa 2 obejmuje wszystkie sprzęty ISM (Industrial, Scientific and Medical - przemysłowe, naukowe i medyczne), w których celowo generowane są fale radiowe i/lub używane w formie promieniowania elektromagnetycznego w celu obróbki materiałów oraz obrabiarki elektroiskrowe.
- Sprzęt klasy B nadaje się do użytku domowego i w miejscach bezpośrednio podłączonych do sieci zasilającej o niskim napięciu.
- Drzwiczki lub powierzchnie zewnętrzne urządzenia mogą się nagrząć w trakcie korzystania.

1.1.2 Bezpieczeństwo: Wyrób

- Nie można podgrzewać płynów ani innych produktów spożywczych w zamkniętym pojemniku, ponieważ istnieje ryzyko eksplozji.
- Podgrzewanie napojów w kuchenke mikrofalowej może spowodować, że będą wrzeć, przyskając na boki po wyjęciu ich z kuchenki; zachowaj ostrożność, trzymając pojemniki.

- Nie piecz niczego w kuchence. Gorący olej może uszkodzić części i materiały, z których jest wykonana kuchenka, i może spowodować oparzenia skóry.
- Nakłuj artykuły z grubą skórką, jak ziemniaki, cukinie, jabłka i kasztany.
- Urządzenie musi być ustawione w taki sposób, aby tył był skierowany do ściany.
- Jeśli drzwiczki lub ich uszczelki są uszkodzone, nie wolno używać kuchenki, aż zostanie naprawiona przez specjalistę.
- Przed przeniesieniem urządzenia zabezpiecz talerz obrotowy, aby zapobiec jego uszkodzeniu.
- Nie używaj kuchenki mikrofalowej do gotowania lub podgrzewania całych jajek, w skorupce czy bez.
- Nigdy nie zdejmuj części tylnej i boków urządzenia, które zapewniają minimalne odległości między ścianami szafki a urządzeniem, aby zapewnić wymaganą cyrkulację powietrza.
- Nie używaj tego urządzenia do celów niezgodnych z jego przeznaczeniem.
- Nie używaj tego urządzenia jako źródła ciepła.
- Kuchenka mikrofalowa jest przeznaczona wyłącznie do rozmrażania, gotowania i duszenia artykułów spożywczych.
- Nigdy nie gotuj potraw zbyt długo – możesz spowodować pożar.
- Do czyszczenia urządzenia nie używaj myjek parowych.

1.2 Przeznaczenie

- To urządzenie jest przeznaczone wyłącznie do użytku wbudowanego.

1.3 Bezpieczeństwo: Dzieci

- Szczególną ostrożność zaleca się, gdy używane jest w pobliżu dzieci i osób o ograniczonych możliwościach fizycznych, zmysłowych lub umysłowych.
- Urządzenia tego mogą używać dzieci w wieku 8 lat lub starsze oraz osoby niepełnosprawne fizycznie, sensorycznie lub umysłowo, lub nieumiejętne i niedoświadczone, pod warunkiem, że ktoś nadzoruje ich użytkowanie pod względem bezpieczeństwa, lub zostały odpowiednio poustruowane i zdają sobie sprawę z zagrożeń przy jego użytkowaniu.

- Dzieci nie powinny bawić się tym urządzeniem. Dzieci nie powinny czyścić go ani konserwować, o ile nie są pod nadzorem osoby dorosłej.
- Niebezpieczeństwo zadławienia! Wszystkie materiały opakowaniowe należy trzymać z dala od dzieci.
- Dzieci mogą korzystać z urządzenia bez nadzoru wyłącznie jeśli zostały odpowiednio poinstruowane i potrafią używać kuchenki mikrofalowej w bezpieczny sposób oraz rozumieją zagrożenia związane z nieprawidłowym użyciem.
- Ze względu na nadmierne ciepło, które powstaje w trybie grilowania i trybie mieszanym, dzieci mogą korzystać z tych trybów tylko pod nadzorem dorosłego.
- Produkt i kabel zasilający powinny znajdować się poza zasięgiem dzieci poniżej 8 roku życia.
- Urządzenie i jego dostępne powierzchnie mogą być bardzo gorące w trakcie użytkowania. Chroń urządzenie przed dostępem dzieci.

1.4 Zgodność z dyrektywą WEEE i pozbywanie się zużytych wyrobów



Wyrób ten nie zawiera materiałów szkodliwych ani zabronionych określonych w „Rozporządzeniu dot. nadzorowania odpadów urządzeń elektrycznych i elektronicznych” wydanym przez Ministerstwo Środowiska i Urbanistyki. Wyrób zgodny z Dyrektywą WEEE. Wyrób ten wykonano z części i materiałów wysokiej jakości, które mogą być odzyskane i użyte jako surowce wtórne.

A zatem po zakończeniu użytkowania nie należy pozbywać się go razem z innymi odpadkami domowymi. Należy przekazać go do punktu zbiórki urządzeń elektrycznych i elektronicznych na surowce wtórne. Informacje o lokalizacji takich punktów zbiórki można uzyskać od władz miejscowych. Odzyskując surowce z używanych wyrobów, pomagamy chronić środowisko naturalne.

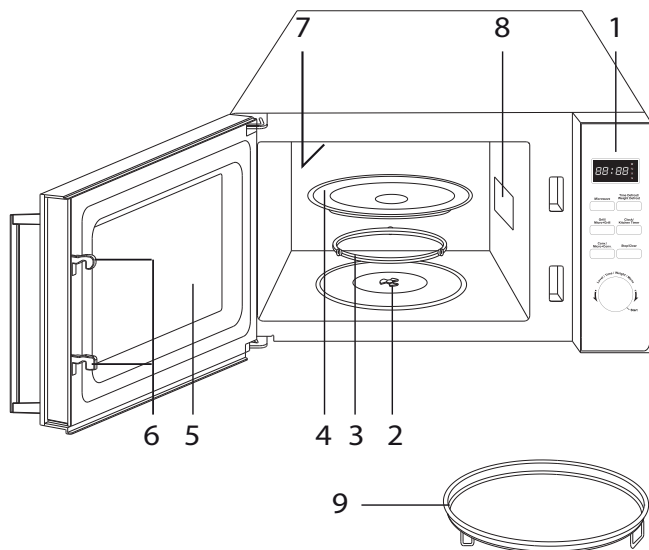
1.5 Informacje o opakowaniu



Opakowanie tego wyrobu wykonano z materiałów nadających się do recyklingu, zgodnie z naszym ustawodawstwem krajowym. Nie wyrzucaj materiałów opakowaniowych do śmieci wraz z innymi odpadkami domowymi. Oddaj je w jednym z wyznaczonych przez władze lokalne punktów zbiórki materiałów opakowaniowych.

2 Kuchenka mikrofalowa

2.1 Opis ogólny



1. Panel sterowania
2. Trzpień talerza obrotowego
3. Podpora talerza obrotowego
4. Tacka szklana
5. Okno kuchenki
6. System blokady zabezpieczającej drzwi
7. Grzałka grilla
8. Falowód (nie zdejmuj płyty mikrowej zakrywającej falowód)
9. Tacka do pieczenia

Wartości oznaczone na urządzeniu i podane w innych dokumentach wraz z nim dostarczonych uzyskano w warunkach laboratoryjnych, według stosownych norm. Wartości te mogą się różnić w zależności od sposobu użytkowania urządzenia i warunków w jego otoczeniu. Wartości mocy są testowane przy 230 V.

2 Kuchenka mikrofalowa

2.2 Dane techniczne

	MCF25210X	MCF28310X	MCF32410X
Napięcie/Częstotliwość	230-240 V / 50 Hz,		
Moc wejściowa - mikrofałe	1400 W		1500W
Moc wyjściowa - mikrofałe	900 W		1000 W
Moc - grill	1200 W	1250 W	
Moc wejściowa (konwekcja)	2250 W	2300 W	
Częstotliwość mikrofał	2450 MHz		
Średnica talerza obrotowego	270 mm	315 mm	
Wymiary zewnętrzne	562 × 560 × 362 mm	608 × 558 × 366 mm	608 × 604 × 366 mm
Wymiary piekarnika	340(L)*333(D)*240(H) mm	353(L)*345(D)*245(H) mm	368(L)*384(D)*238(H) mm
Pojemność kuchenki	25 L	28 L	32 L
Masa netto	16.8 kg	19.8 kg	21.2 kg

3 Montaż i podłączanie

3.1 Instalacja

1. Upewnić się, że wszystkie materiały pakowe zostały wyjęte z wnętrza kuchenki.



OSTRZEŻENIE: Sprawdź kuchenkę pod względem ewentualnych uszkodzeń, takich jak przekoszone lub wygięte drzwiczki, uszkodzone uszczelki drzwiczek i powierzchnia uszczelnienia, złamane lub poluzowane zawiasy drzwiczek i zatrzaski oraz wcięcia wewnątrz kuchenki lub w drzwiczkach. W razie jakichkolwiek uszkodzeń nie używać kuchenki i skontaktować się z wykwalifikowanymi pracownikami serwisu.

2. Kuchenka mikrofalowa musi stać na płaskiej, stabilnej powierzchni zdolnej do utrzymania jej ciężaru i najcięższego pożywienia, jakie może być w niej przyrządane.
3. Nie wolno stawiać kuchenki w miejscach, w których wytwarzane jest ciepło lub wilgoć ani w pobliżu materiałów palnych.
4. Do prawidłowej pracy kuchenka mikrofalowa wymaga wystarczającego przepływu powietrza. Należy pozostawić co najmniej 20 cm niezbędnego wolnego miejsca nad kuchenką i po 5 cm z obu stron. Płyta tylna kuchenki musi znajdować się blisko ściany. Nie wolno zakrywać ani zatykać żadnych otworów urządzenia. Nie wolno demontować nóżek.
5. Nie wolno używać kuchenki, gdy szklana tacka, podstawa rolkowa lub trzpień nie znajdują się na swoich właściwych miejscach.
6. Należy się upewnić, że przewód zasilający jest nieuszkodzony ani nie przebiega pod kuchenką lub nad gorącą albo ostrą powierzchnią.
7. Gniazdko musi być łatwo dostępne, aby w razie zagrożenia można było łatwo wyjąć wtyczkę.
8. Nie wolno używać kuchenki na dworze.

3.2 Zakłócenia radiowe

Kuchenka mikrofalowa może podczas użytkowania zakłócać działanie odbiorników radiowych, telewizyjnych i podobnego sprzętu. Zakłócenia można zmniejszyć lub wyeliminować, stosując opisane poniżej środki:

1. Wyczyścić drzwiczki i powierzchnie uszczelniające kuchenki.
2. Zmienić orientację anteny odbiorczej radia lub telewizora.
3. Zmienić umiejscowienie kuchenki mikrofalowej względem odbiornika.
4. Przenieść kuchenkę mikrofalową z dala od odbiornika.
5. Podłączyć kuchenkę mikrofalową do innego gniazda, aby podłączyć ją do innego odgałęzienia obwodu niż odbiornik.

3.3 Instrukcje uziemiania

To urządzenie musi być uziemione. Ta kuchenka jest wyposażona w przewód z żyłą uziemienia podłączoną do wtyczki. Jej wtyczkę należy podłączyć do odpowiednio zamontowanego i uziemionego gniazda ściennego. W przypadku zwarcia uziemienie zmniejsza ryzyko porażenia prądem elektrycznym, umożliwiając jego upłynięcie do ziemi. Zalecane jest wydzielenie obwodu, do którego podłączona będzie jedynie kuchenka. Używanie wysokiego napięcia jest niebezpieczne i może skutkować pożarem lub innym wypadkiem prowadzącym do uszkodzenia kuchenki.



OSTRZEŻENIE: Nieprawidłowe użycie wtyczki z uziemieniem może skutkować porażeniem prądem elektrycznym.



W przypadku pytań na temat instrukcji dotyczących uziemiania lub połączeń elektrycznych należy się skonsultować z wykwalifikowanym elektrykiem lub serwisantem.

3 Montaż i podłączanie



Ani producent, ani sprzedawca nie ponoszą żadnej odpowiedzialności prawnej za uszkodzenia kuchni lub urazy osobiste będące skutkiem nieprzestrzegania procedur wykonywania połączeń elektrycznych.

Przewody tego kabla sieciowego mają kolory o następujących znaczeniach:

Zielono-żółty = UZIEMIENIE

Niebieski = ZERO ROBOCZE

Brązowy = NAPIĘCIE

3.4 Zasady gotowania w kuchenke mikrofalowej

1. Pożywienie należy rozmieścić. Grubsze obszary powinny leżeć dalej od środka naczynia.
2. Należy pilnować czasu gotowania. Żywność należy gotować przez najkrótszy wskazany czas i w razie potrzeby przedłużyć gotowanie. Zbyt długo gotowana żywność może dymić lub iskrzyć.
3. Żywność należy zakryć na czas gotowania. Pokrywki zapobiegają rozpryskom i ułatwiają równomierne gotowanie żywności.
4. Żywność taką jak kurczak lub hamburgery należy raz obrócić w trakcie gotowania, aby je przyspieszyć. Duże porcje, takie jak pieczeń, należy co najmniej raz przewrócić na drugą stronę.
5. Żywność taką jak klopsy należy w połowie czasu gotowania przelożyć z wierzchu na spód i ze środka na zewnątrz naczynia.

3.5 Przed wezwaniem serwisu

Jeśli kuchenka nie działa:

1. Sprawdzić, czy kuchenka jest prawidłowo podłączona do gniazdka. Jeśli nie, wyjąć wtyczkę z gniazdka, zaczekać 10 sekund i znowu włożyć ją do gniazdka.

2. Sprawdzić, czy nie przepalił się bezpiecznik lub zadziałał główny automatyczny przerywacz obrotu. Jeśli działają prawidłowo, sprawdzić gniazdko, podłączając inne urządzenie.
3. Upewnić się, że panel sterowania jest prawidłowo zaprogramowany, a zegar jest nastawiony.
4. Upewnić się, że drzwiczki zamykają się prawidłowo i uruchamiają system blokady zabezpieczającej. W przeciwnym razie energia mikrofal nie przepłynie do kuchni.

JEŚLI POWYŻSZE CZYNNOSCI NIE ROZWIĄŻĄ PROBLEMU, NALEŻY SIĘ SKONTAKTOWAĆ Z WYKWALIFIKOWANYM TECHNIKIEM. NIE NALEŻY PRÓBOWAĆ SAMODZIELNIE REGULOWAĆ ANI NAPRAWIAĆ KUCHENKI.

3.6 Przewodnik po przyborach

1. Mikrofałe nie przenikają metalu. Należy używać jedynie przyborów nadających się do użytku w kuchenkach mikrofalowych. W kuchenke mikrofalowej nie wolno gotować żywności ani napojów w metalowych pojemnikach. Wymóg ten nie dotyczy pojemników metalowych o specjalnych rozmiarach i kształtach, uznanych przez producenta za zgodne do gotowania w kuchenke mikrofalowej.
2. Mikrofałe nie przenikają metalu, zatem nie należy używać metalowych przyborów ani naczyń z metalowymi elementami wykończenia.
3. Nie wolno używać do gotowania produktów z makulatury, gdyż mogą zawierać ścinki metalu, które mogą wywołać iskrzenie i/lub pożar.
4. Zalecane są raczej naczynia okrągłe/owalne niż kwadratowe/prostokątne, gdyż żywność w rogach zwykle się rozgotowuje.
5. Do zapobiegania rozgotowaniu w odsłoniętych miejscach można użyć wąskich pasków folii aluminiowej. Należy jednak uważać, aby nie użyć jej zbyt dużo i zachowywać odstęp 1 cala (2,54 cm) między folią a ścianami wewnętrznymi kuchenki.

3 Montaż i podłączanie

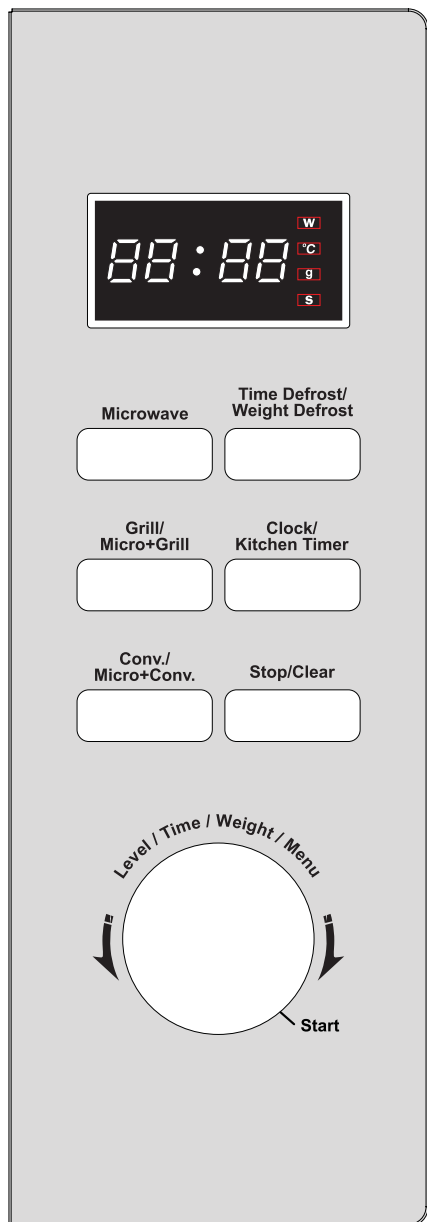
Poniższa lista stanowi ogólny poradnik ułatwiający wybór właściwych przyborów.

Naczynia kuchenne	Mikrofale	Grill	Konwekcja	Tryb mieszany*
Szkoło żaroodporne	Tak	Tak	Tak	Tak
Szkoło nieodporne na wysoką temperaturę	Nie	Nie	Nie	Nie
Ceramika żaroodporna	Tak	Tak	Tak	Tak
Naczynia z tworzyw sztucznych nadające się do użytku w kuchence mikrofalowej	Tak	Nie	Nie	Nie
Papier kuchenny	Tak	Nie	Nie	Nie
Metalowa tacka	Nie	Tak	Tak	Nie
Blacha do pieczenia	Nie	Tak	Tak	Nie
Folia aluminiowa i pojemnik z folii aluminiowej	Nie	Tak	Tak	Nie

* Tryb mieszany: dotyczy zarówno „mikrofal + grilla”, jak i „mikrofal + konwekcji”.

4 Użytkowanie

4.1 Panel sterowania



4.2 Ekran menu Działanie

- Wyświetlany jest czas gotowania, moc, wskaźniki działań i godzina.

„Mikrofał”

- Nacisnąć ten przycisk, aby nastawić program gotowania mikrofalami.

„Zegar / minutnik kuchenny”

- Nacisnąć, aby nastawić czas na zegarze.
- Nacisnąć, aby nastawić funkcję minutnika kuchennego.

Konw. / Mikro + Konw.

- Nacisnąć, aby zaprogramować gotowanie konwekcyjne.
- Nacisnąć, aby wybrać jedną z czterech kombinacji ustawień gotowania.

„Grill / Mikro + Grill”

- Nacisnąć, aby nastawić program grillowania.
- Nacisnąć, aby wybrać jedną z dwóch kombinacji ustawień gotowania.

„Stop/Kasuj”

- Nacisnąć, aby anulować ustawienie lub zresetować kuchenkę przed nastawieniem programu gotowania.
- Nacisnąć raz, aby tymczasowo wstrzymać gotowanie albo dwa razy, aby anulować gotowanie.

„Poziom / Czas / Waga / Menu” (pokrętko)

- Obrócić pokrętko, aby wprowadzić czas gotowania.
- Obrócić pokrętko, aby wybrać menu automatycznego gotowania.
- Obrócić pokrętko, aby wybrać poziom mocy gotowania.
- Obrócić pokrętko, aby nastawić temperaturę gotowania konwekcyjnego.

„Start” (pokrętko)

- Nacisnąć raz, aby uruchomić program gotowania.
- Nacisnąć kilka razy, aby nastawić czas gotowania i od razu włączyć gotowanie z pełną mocą.

4 Użytkowanie

Rozmrażanie na czas / Rozmrażanie wg wagi

- Nacisnąć raz, aby nastawić program rozmrażania oparty na wprowadzonym czasie.
- Nacisnąć dwa razy, aby nastawić program rozmrażania oparty na wprowadzonej wadze.

4.3 Ustawianie elementów sterujących kuchenki

- Po pierwszym włączeniu kuchenki rozlegnie się krótki sygnał akustyczny i na wyświetlaczu pojawi się wskazanie „1:01”.
- W razie naciśnięcia przycisku „Stop/Kasuj” raz podczas gotowania program zostanie wstrzymany i wznowiony w razie naciśnięcia przycisku „Start” albo anulowany w razie dwukrotnego naciśnięcia przycisku „Stop/Kasuj”.
- Po zakończeniu gotowania system wydaje co dwie minuty krótkie sygnały akustyczne, dopóki użytkownik nie naciśnie przycisku „Stop/Kasuj” lub nie otworzy drzwiczek.
- Elektroniczny system sterujący kuchenki mikrofalowej ma funkcję chłodzenia. Tak jak w przypadku każdego trybu gotowania z czasem gotowania powyżej 2 minut, w razie otwarcia drzwiczek kuchenki lub wstrzymania programu gotowania wentylator kuchenki zostanie automatycznie uruchomiony na 3 minuty w celu schłodzenia kuchenki zapewniającego wydłużenie czasu jej eksploatacji.

4.4 Nastawianie godziny na zegarze

Jest to zegar 12- lub 24-godzinny. Format można wybrać, dotykając przycisku Zegar / Minutnik kuchenny.

PRZYKŁAD: Przypuśćmy, że użytkownik chce ustawić na zegarze kuchenki godzinę 8:30.

1. Nacisnąć i przytrzymać przez 3 sekundy przycisk „Zegar / Minutnik kuchenny”, aby wybrać format 12-godzinny (drugie naciśnięcie umożliwi wybór 24-godzinnego formatu wyświetlania godziny).
2. Obrócić pokrętkę Poziom/Czas/Waga/Menu, aby ustawić cyfrę godziny (8 w tym przykładzie).
3. Nacisnąć raz przycisk „Zegar / Minutnik kuchenny”, aby potwierdzić ustawienie godziny.
4. Obrócić pokrętkę „Poziom/Czas/Waga/Menu”, aby ustawić minuty (30 w tym przykładzie).
5. Nacisnąć raz przycisk „Zegar / Minutnik kuchenny”, aby potwierdzić ustawienie.



Aby sprawdzić godzinę podczas pracy kuchenki, nacisnąć przycisk „Zegar / Minutnik kuchenny” w celu wyświetlenia przez chwilę bieżącej godziny na ekranie wyświetlacza.

4.5 Szybkie uruchomienie

W przypadku szybkiego uruchamiania programu gotowania kuchenka szybko gotuje żywność na WYSOKIM poziomie mocy (100% mocy wyjściowej).

Wystarczy nacisnąć kilka razy pokrętkę „Start”, aby nastawić czas gotowania, kuchenka automatycznie zacznie pracę z pełną mocą. Maksymalny czas gotowania, jaki można wprowadzić, to 10 minut.

4.6 Gotowanie w kuchence mikrofalowej

W przypadku gotowania w trybie „Mikrofałe” można nastawić poziom mocy i czas gotowania. Maksymalny czas gotowania wynosi 95 minut.

Przypuśćmy, że użytkownik chce gotować przez 10 minut z mocą 450 W w trybie „Mikrofałe”.

1. Nacisnąć raz przycisk „Mikrofałe”, a następnie obrócić pokrętkę „Poziom/Czas/Waga/Menu” w celu wybrania poziomu mocy gotowania.
2. Nacisnąć przycisk „Start”, aby potwierdzić wybór.

4 Użytkowanie

3. Obrócić pokrętko „Poziom/Czas/Waga/Menu”, aby ustawić czas gotowania.

4. Nacisnąć przycisk „Start”.



Obracając pokrętko „Poziom/Czas/Waga/Menu”, można wybrać jeden z 11 poziomów mocy gotowania (P100, P-90, P-80, P-70, P-60, P-50, P-40, P-30, P-20, P-10, P-00). Aby sprawdzić poziom mocy w trakcie gotowania, należy dotknąć przycisku „Mikrofałe”.

4.7 Rozmrażanie według wagi

Kuchenka umożliwia rozmrażanie żywności na podstawie wagi wprowadzonej przez użytkownika. Czas i poziom mocy rozmrażania są ustawiane automatycznie po zaprogramowaniu kategorii i wagi żywności. Zamrożona żywność może mieć masę od 100 g do 1800 g.

1. W trybie czekania nacisnąć dwa razy przycisk „Rozmrażanie na czas / Rozmrażanie wg wagi”.
2. Obrócić pokrętko „Poziom/Czas/Waga/Menu”, aby wybrać masę rozmrażanej żywności.
3. Nacisnąć przycisk „Start”, aby potwierdzić wybór.



Kuchenka przerywa rozmrażanie, aby pozwolić użytkownikowi przewrócić żywność na drugą stronę w celu jej równomiernego rozmrożenia, a po naciśnięciu przycisku „Start” wznowia rozmrażanie na pozostały czas.

Kuchenka nie działa prawidłowo w razie włożenia do niej żywności o masie większej niż zalecane maksimum.

4.8 Rozmrażanie na czas

Kuchenka umożliwia rozmrażanie żywności na podstawie czasu wprowadzonego przez użytkownika.

1. W trybie czekania nacisnąć raz przycisk „Rozmrażanie na czas / Rozmrażanie wg wagi”.

2. Obrócić pokrętko „Poziom/Czas/Waga/Menu” w celu wprowadzenia czasu rozmrażania.

3. Nacisnąć przycisk „Start”, aby potwierdzić wybór.



Kuchenka przerywa rozmrażanie, aby pozwolić użytkownikowi przewrócić żywność na drugą stronę w celu jej równomiernego rozmrożenia, a po naciśnięciu przycisku „Start” wznowia rozmrażanie na pozostały czas.

4.9 Grillowanie

Kuchenka umożliwia grillowanie żywności przez czas wprowadzony przez użytkownika. Maksymalny czas gotowania wynosi 95 minut.

1. Nacisnąć raz przycisk „Grill / Mikro + Grill”.
2. Nacisnąć przycisk „Start”, aby potwierdzić wybór.
3. Obrócić pokrętko „Poziom/Czas/Waga/Menu” w celu wprowadzenia czasu gotowania.
4. Nacisnąć przycisk „Start”.

4.10 Mikro + Grill

Maksymalny czas gotowania wynosi 95 minut. Ta funkcja umożliwia połączenie dwóch różnych ustawień grillowania i gotowania w trybie „Mikrofałe”.

4.10.1 Tryb mieszany 1

Przez 30% czasu gotowanie w trybie „Mikrofałe” i przez 70% czasu grillowanie. Stosować do ryb, ziemniaków lub zapiekank.

Przypuśćmy, że użytkownik chce ustawić czas gotowania w trybie mieszanym 1 równy 25 minutom.

1. Nacisnąć dwa razy przycisk „Grill / Mikro + Grill”, a następnie obracać pokrętko „Poziom/Czas/Waga/Menu” do wyświetlenia tekstu „Gr2”.

4 Użytkowanie

2. Nacisnąć przycisk „Start”, aby potwierdzić wybór.
3. Obrócić pokrętko „Poziom/Czas/Waga/Menu” w celu wprowadzenia czasu gotowania.
4. Nacisnąć przycisk „Start”.

4.10.2 Tryb mieszany 2

Przez 55% czasu gotowanie w trybie „Mikrofała” i przez 45% czasu grillowanie. Stosować do puddingów, omeletów, pieczonych ziemniaków i drobiu. Przypuśćmy, że użytkownik chce ustawić czas gotowania w trybie mieszanym 2 równy 12 minutom.

1. Nacisnąć dwa razy przycisk „Grill / Mikro + Grill”, a następnie obracać pokrętko „Poziom/Czas/Waga/Menu” do wyświetlenia tekstu „Gr3”.
2. Nacisnąć przycisk „Start”, aby potwierdzić wybór.
3. Obrócić pokrętko „Poziom/Czas/Waga/Menu” w celu wprowadzenia czasu gotowania.
4. Nacisnąć przycisk „Start”.

4.11 Konwekcja

Podczas gotowania konwekcyjnego gorące powietrze obiega wewnątrz kuchenki, aby szybko i równomiernie zarumienić i przyrządzić chrupką żywność. Tę kuchenkę można zaprogramować na dziesięć różnych temperatur gotowania. Maksymalny czas gotowania, jaki można ustawić, wynosi 95 minut.

Gotowanie z konwekcją

Aby gotować z konwekcją, nacisnąć raz przycisk „Konw. / Mikro + Konw.”, a następnie obrócić w prawo pokrętko „Poziom/Czas/Waga/Menu” w celu wprowadzenia żądanej temperatury konwekcji (110°C, 120°C, 130°C, 140°C, 150°C, 160°C, 170°C, 180°C, 190°C, 200°C).

Przypuśćmy, że użytkownik chce gotować w temperaturze 180°C przez 40 minut.

1. W trybie czekania włożyć żywność do kuchenki i zamknąć kuchenkę.

2. Nacisnąć raz przycisk „Konw. / Mikro + Konw.”, a następnie obrócić w prawo pokrętko „Poziom/Czas/Waga/Menu” w celu wprowadzenia temperatury konwekcji 180°C.
3. Nacisnąć przycisk „Start”, aby potwierdzić wybór.
4. Obrócić pokrętko „Poziom/Czas/Waga/Menu” w celu wprowadzenia czasu gotowania (czas maksymalny wynosi 95 minut).
5. Nacisnąć przycisk „Start”.



Podczas gotowania można sprawdzić temperaturę konwekcji, dotykając przycisku „Konw. / Mikro + Konw.”.

Podgrzewanie i gotowanie z konwekcją

Kuchenkę można zaprogramować w celu połączenia operacji podgrzewania i gotowania konwekcyjnego.

Przypuśćmy, że użytkownik chce podgrzać kuchenkę do 170°C, a następnie gotować przez 35 minut.

1. W trybie czekania włożyć żywność do kuchenki i zamknąć kuchenkę.
2. Nacisnąć raz przycisk „Konw. / Mikro + Konw.”, a następnie obrócić w prawo pokrętko „Poziom/Czas/Waga/Menu” w celu wprowadzenia temperatury konwekcji 170°C.
3. Nacisnąć przycisk „Start”, aby potwierdzić wybór, a potem jeszcze raz nacisnąć przycisk „Start”.
4. Gdy kuchenka osiągnie wyznaczoną temperaturę, co 5 sekund wydaje sygnał akustyczny.
5. Otworzyć drzwiczki i umieścić pojemnik z żywnością pośrodku talerza obrotowego.
6. Obrócić pokrętko „Poziom/Czas/Waga/Menu”, aby wprowadzić czas gotowania.
7. Nacisnąć przycisk „Start”.

4 Użytkowanie



Maksymalny czas podgrzewania wynosi 30 minut i nie można ustawić żądanego czasu podgrzewania. Po osiągnięciu temperatury podgrzewania kuchenka co 5 sekund wydaje sygnał akustyczny, a jeśli użytkownik w ciągu 30 minut nie wykona żadnej operacji, program zostanie automatycznie zakończony.

4.12 Mikro + konwekcja

Ta kuchenka ma cztery wstępnie zaprogramowane ustawienia umożliwiające automatyczne gotowanie zarówno z grzaniem konwekcyjnym, jak i w trybie „Mikrofała”. Maksymalny czas gotowania, jaki można ustawić, wynosi 95 minut.

Nacisnąć dwa razy przycisk „Konw. / Mikro + Konw.”, a następnie obrócić pokrętko „Poziom/Czas/Waga/Menu” w celu zaprogramowania temperatury konwekcji (200°C→170°C→140°C→110°C).

1. W trybie czekania włożyć żywność do kuchenki i zamknąć kuchenkę.
2. Nacisnąć dwa razy przycisk „Konw. / Mikro + Konw.”.
3. Obrócić pokrętko „Poziom/Czas/Waga/Menu”, aby wskazać temperaturę konwekcji.
4. Nacisnąć przycisk „Start”, aby potwierdzić wybór.
5. Obrócić pokrętko „Poziom/Czas/Waga/Menu”, aby wprowadzić czas gotowania.
6. Nacisnąć przycisk „Start”.



Podczas gotowania można sprawdzić temperaturę konwekcji, dotykając przycisku „Konw. / Mikro + Konw.”.

4.13 Nastawianie minutnika kuchennego

Zegar kuchenki można nastawić, aby przypominał o czasie gotowania. Najdłuższy czas, jaki można ustawić, wynosi 95 minut.

Przypuśćmy, że użytkownik chce nastawić minutnik kuchenny na 30 minut:

1. Nacisnąć raz przycisk „Zegar / Minutnik kuchenny”.
2. Obrócić pokrętko cyfrowe „Poziom/Czas/Waga/Menu”, aby ustawić wartość 30:00.
3. Nacisnąć przycisk „Start”, aby potwierdzić wybór.



Gdy minutnik odlicza czas, można nacisnąć przycisk „Zegar / Minutnik kuchenny”, aby wyświetlić przez 5 sekund nastawiony czas, a naciskając przycisk „Stop/Kasuj” w ciągu 5 sekund można ten czas skasować.

4.14 Blokada dostępu dzieci

Uniemożliwia małym dzieciom używanie kuchenki bez nadzoru. W razie włączenia blokady wskaźnik BLOKADA DOSTĘPU DZIECI jest wyświetlany na ekranie wyświetlacza i nie można uruchomić kuchenki.

Aby ustawić BLOKADĘ DOSTĘPU DZIECI: W razie niewykonania żadnej operacji przez jedną minutę w trybie gotowości kuchenka automatycznie przejdzie w tryb blokady dostępu dzieci i przestaną działać wszystkie przyciski.

Aby wyłączyć BLOKADĘ DOSTĘPU DZIECI: W trybie blokady dostępu dzieci otwarcie lub zamknięcie drzwiczek kuchenki może spowodować anulowanie programu.

4 Użytkowanie

4.15 Zabezpieczenia

4.15.1 Zabezpieczenie przed przegrzaniem

Gdy system przejdzie w stan zabezpieczenia przed bardzo wysoką temperaturą, wyświetlacz cyfrowy wskazuje błąd „E01” i emitowane są krótkie sygnały dźwiękowe do chwili rozwiązania problemu, następnie należy nacisnąć przycisk „Stop/Kasuj”, aby system przeszedł z powrotem w zwykły tryb gotowości.

4.15.2 Zabezpieczenie przed niską temperaturą

Gdy system przejdzie w stan zabezpieczenia przed bardzo niską temperaturą, wyświetlacz cyfrowy wskazuje błąd „E02” i emitowane są krótkie sygnały dźwiękowe do chwili naciśnięcia przycisku „Stop/Kasuj”, aby system przeszedł z powrotem w zwykły tryb gotowości.

4.15.3 Zabezpieczenie przed usterką czujnika

W razie zwarcia w czujniku system przechodzi w tryb zabezpieczenia. Wyświetlacz wskazuje błąd „E03” i emitowane są krótkie sygnały dźwiękowe do chwili naciśnięcia przycisku „Stop/Kasuj”, po czym system powraca do zwykłego stanu gotowości.

4.16 Automatyczne gotowanie

W przypadku następujących rodzajów żywności i operacji gotowania nie trzeba wprowadzać mocy ani czasu gotowania. Należy spróbować skupić się na poinformowaniu kuchenki, co chce się ugotować i ile waży ta żywność. Kuchenka zacznie działać po naciśnięciu przycisku „Start”.

Przykład:

1. W trybie czekania obrócić pokrętko „Poziom/Czas/Waga/Menu” w lewo, aby wybrać kod żywności.

2. Nacisnąć raz przycisk „Start”.
3. Obrócić pokrętko „Poziom/Czas/Waga/Menu”, aby wybrać żądaną masę.
4. Nacisnąć przycisk „Start”.

4 Użytkowanie

Menu automatycznego gotowania

Kod	Żywność	
A-1	Mleko/kawa (200 ml / kubek)	UWAGI: 1. W przypadku mleka/kawy i ziemniaków na ekranie, zamiast masy żywności, wyświetlana będzie liczba porcji. 2. W przypadku pozycji A-7 kuchenka przerywa rozmrażanie, aby pozwolić użytkownikowi przewrócić żywność na drugą stronę w celu jej równomiernego rozmrożenia, a po naciśnięciu przycisku „Start” wznowia rozmrażanie na pozostały czas. 3. Wynik automatycznego gotowania zależy od czynników takich jak wahania napięcia, kształt i rozmiar żywności, osobiste preferencje co do gotowości określonych potraw, a nawet rozmieszczenie żywności w kuchence. Jeśli wyniki okażą się niezadowolające, należy odpowiednio skorygować czas gotowania.
A-2	Popcorn (99 g)	
A-3	Spaghetti (g)	
A-4	Ziemniaki (230 g / jeden)	
A-5	Automatyczne odgrzewanie (g)	
A-6	Ryba (g)	
A-7	Kurczak (g)	
A-8	Pizza (g)	
A-9	Ciasto (475 g)	

5 Czyszczenie i konserwacja

5.1 Czyszczenie i konserwacja

1. Przed czyszczeniem wyłączyć kuchenkę i wyjąć jej wtyczkę z gniazda ściennego.
2. Zadbaj, aby wewnątrz kuchenki było czyste. Rozbryzgi żywności i rozlane płyny, które przywarły do ścianek kuchenki wytrzeć wilgotną ścierką. Jeśli kuchenka jest bardzo brudna, można użyć łagodnego detergentu. Unikać stosowania rozpylaczy i agresywnych środków czyszczących, gdyż mogą one zostawić plamy, smugi lub zmatowienia na powierzchni drzwiczek.
3. Powierzchnie zewnętrzne należy czyścić wilgotną ścierką. Aby zapobiec uszkodzeniu pracujących części we wnętrzu kuchenki, nie wolno dopuścić do przedostania się wody do otworów wentylacyjnych.
4. Obie strony drzwiczek i okna, uszczelki drzwiczek i sąsiadujące z nimi części należy często wycierać wilgotną ścierką w celu usunięcia wszelkich rozbryzgów. Nie wolno używać ściernych środków czyszczących.
5. Nie wolno używać myjki parowej.
6. Nie wolno dopuścić do zamoczenia panelu sterowania. Kuchenkę należy czyścić miękką, wilgotną ścierką. Podczas czyszczenia panelu sterowania trzymać drzwiczki kuchenki otwarte, aby zapobiec jej przypadkowemu włączeniu.
7. Jeśli od wewnętrznej strony drzwiczek lub w ich pobliżu zbiera się para, zetrzeć ją miękką ścierką. Para może się pojawić, jeśli kuchenka mikrofalowa działa w warunkach dużej wilgotności. Jest to normalne zjawisko.
8. Czasami konieczne jest wyjęcie szklanej tacki w celu wyczyszczenia. Umyć tackę w ciepłej wodzie z mydłem lub w zmywarce.
9. Należy regularnie czyścić pierścień obrotowy i spód kuchenki, aby zapobiec nadmieremu hałasowi. Wystarczy wytrzeć dolną powierzchnię kuchenki łagodnym detergentem. Pierścień obrotowy można myć w ciepłej wodzie z mydłem lub w zmywarce. Pierścień obrotowy wyjęty z dna wnętrza kuchenki w celu wyczyszczenia należy założyć z powrotem we właściwym położeniu.
10. W celu usunięcia zapachów z kuchenki nalać do głębokiej miski nadającej się do użytku w kuchenke mikrofalowej kubek wody, wcisnąć sok z jednej cytryny i wrzucić skórkę z tej cytryny, a następnie gotować mikrofalami przez 5 minut. Następnie dokładnie wytrzeć wewnątrz do sucha miękką ścierką.
11. Gdy konieczna stanie się wymiana oświetlenia kuchenki, należy skontaktować się ze sprzedawcą.
12. Kuchenkę należy regularnie czyścić i usuwać z jej wnętrza wszelkie pozostałości jedzenia. Zaniedbanie czystości kuchenki może doprowadzić do pogorszenia stanu jej powierzchni i w konsekwencji skrócenia czasu eksploatacji urządzenia, a nawet niebezpiecznych sytuacji.
13. Nie wolno wyrzucać tego urządzenia do zwykłego pojemnika na śmieci; należy je przekazać do odpowiedniego miejscowego punktu zbiórki.
14. Przy pierwszym użyciu funkcji grillowania z kuchenki mikrofalowej może wydobyć się nieco dymu i nieprzyjemnego zapachu. Jest to zjawisko normalne, ponieważ kuchenka jest wykonana z płyty stalowej pokrytej olejem smarnym i nowa kuchenka wytwarza opary oraz zapach wskutek spalania oleju smarnego. Zjawisko to zanika po pewnym okresie użytkowania.

5.2 Przechowywanie

- Jeśli urządzenie nie będzie używane przez dłuższy czas, należy je starannie przechowywać.
- Należy się upewnić, że urządzenie jest odłączone od zasilania, ostygło i jest całkiem suche.
- Przechowywać urządzenie w chłodnym i suchym miejscu.
- Trzymać urządzenie poza zasięgiem dzieci.

5.3 Przenoszenie i transport

- Urządzenie należy przenosić i transportować w oryginalnym opakowaniu. Zabezpiecza ono urządzenie przed fizycznymi uszkodzeniami.
- Nie wolno umieszczać ciężkich ładunków na urządzeniu ani opakowaniu. Może to spowodować uszkodzenie urządzenia.
- Upuszczenie urządzenia może spowodować jego awarię lub trwałe uszkodzenie.

6 Rozwiązywanie problemów

Normalne	
Kuchenka mikrofalowa zakłóca odbiór TV.	Odbiór radia i telewizji może być zakłócony w czasie działania kuchenki mikrofalowej. Jest to podobne do zakłóceń powodowanych przez małe urządzenia elektryczne, jak mikser, odkurzacze i wentylator. Jest to normalne zjawisko.
Światło w kuchence jest przyćmione	W przypadku gotowania z użyciem niskiej mocy światło w kuchence może być przyćmione. Jest to normalne zjawisko.
Na drzwiach zbiera się para, z otworów wentylacyjnych wydobywa się gorące powietrze	Podczas gotowania potrawy mogą parować. Większość tej pary wydobędzie się przez otwory wentylacyjne. Część może jednak zebrać się w chłodnym miejscu, jak drzwiczki kuchenki. Jest to normalne zjawisko.
Kuchenka uruchomiona przypadkowo bez produktów spożywczych wewnątrz.	Nie wolno uruchamiać urządzenia bez produktów spożywczych wewnątrz. Jest to bardzo niebezpieczne.

Problem	Prawdopodobna przyczyna	Rozwiązanie
Nie można włączyć kuchenki.	1) Kabel zasilający nie jest poprawnie włożony do gniazdka.	Wymij wtyczkę z gniazdka. Włóż ją z powrotem po 10 s.
	2) Bezpiecznik się przepalił lub został uruchomiony wyłącznik z bezpiecznikiem.	Wymień bezpiecznik lub zresetuj wyłącznik z bezpiecznikiem (naprawiony przez fachowy personel naszej firmy).
	3) Problem z gniazdkiem.	Przetestuj gniazdko z innymi urządzeniami elektrycznymi.
Kuchenka nie grzeje.	4) Drzwiczki nie są prawidłowo zamknięte.	Zamknij prawidłowo drzwiczki.
Szklany talerz obrotowy hałasuje, kiedy kuchenka działa.	5) Talerz obrotowy i spód kuchenki jest brudny.	Wskazówki na temat czyszczenia zabrudzonych części patrz rozdział „Czyszczenie i konserwacja”.

Infolinia 22 250 14 14



Podpis i pieczęć instalatora (z numerem uprawnień) w przypadku montażu urządzeń gazowych lub płyt i piekarników elektrycznych

Aby otrzymać więcej informacji dotyczących serwisu BEKO np. gdzie kupić części zamienne lub akcesoria należy odwiedzić stronę internetową www.beko.pl i wybrać zakładkę serwis.

Gwarancja jakości

Twój produkt marki BEKO posiada gwarancję jakości udzieloną przez Beko S.A z siedzibą w Warszawie ul. Puławska 366, 02-819 Warszawa (dalej Gwarant).

Gwarancja jakości udzielana jest wyłącznie na produkty marki BEKO wprowadzane do obrotu na terytorium Rzeczypospolitej Polskiej przez Gwaranta. Termin gwarancji wynosi 24 miesiące od daty zakupu produktu. Oświadczenie gwarancyjne określające warunki gwarancji znajdziesz na stronie internetowej www.beko.pl w sekcji serwis.

Warunkiem wykonywania uprawnień z gwarancji jest przedstawienie dowodu zakupu produktu lub zarejestrowanie produktu na stronie www.beko.pl w sekcji serwis.

Zarejestruj swój produkt.

Załącz konto oraz zarejestruj teraz swój produkt marki BEKO objęty gwarancją na naszej stronie internetowej www.beko.pl w sekcji serwis. Dzięki temu nie będziesz musiał się martwić w sytuacji gdy zgubisz dowód zakupu. Ponadto będziesz miał możliwość otrzymania oświadczenia gwarancyjnego w postaci „Cyfrowej Karty Gwarancyjnej”.

Obsługa klienta – infolinia 22 250 14 14

W celu zgłoszenia reklamacji lub usterki produktu marki BEKO prosimy o kontakt telefoniczny z infolinią. Nasi konsultanci pomogą ci rozwiązać problem lub skierują do właściwego serwisu BEKO.

Infolinia czynna jest 7 dni w tygodniu od 8.00 do 20:00.

* Koszt połączenia jak za połączenie lokalne (z telefonu stacjonarnego) lub według stawek operatora sieci komórkowej.




Lütfen önce bu kılavuzu okuyun!

Değerli Müşterimiz,

Beko ürününü tercih ettiğiniz için teşekkür ederiz. Yüksek kalite ve teknoloji ile üretilmiş olan ürününüzün size en iyi verimi sunmasını istiyoruz. Bunun için, bu kılavuzun tamamını ve verilen diğer belgeleri ürünü kullanmadan önce dikkatle okuyun ve bir başvuru kaynağı olarak saklayın. Ürünü başka birisine verirsiniz, kullanma kılavuzunu da birlikte verin. Kullanma kılavuzunda belirtilen tüm bilgi ve uyarıları dikkate alarak talimatlara uyun.

Sembollerin anlamları

Bu kullanma kılavuzunun çeşitli kısımlarında aşağıdaki semboller kullanılmıştır:

	Cihazın kullanımıyla ilgili önemli bilgiler ve faydalı tavsiyeler.
	Can ve mal güvenliğiyle ilgili tehlikeli durumlar konusunda uyarılar.
	Sıcak yüzeylerle ilgili uyarı.



Bu ürün çevreye saygılı modern tesislerde doğaya zarar vermeden üretilmiştir.

AEEE Yönetmeliğine Uygundur.



PCB içermez.

1 Önemli güvenlik ve çevre talimatları

Bu bölümde, yangın riski, elektrik çarpması, kaçak mikrodalga enerjisine maruz kalınması, yaralanma ya da maddi hasar tehlikelerini önlemeye yardımcı olacak güvenlik talimatları yer almaktadır. Bu talimatlara uyulmaması halinde her türlü garanti geçersiz hale gelir.

1.1 Genel güvenlik

- Cihazın kapısı açıkken çalıştırmayı denemeniz, mikrodalga enerjisine zararlı bir şekilde maruz kalmanıza neden olabilir. Güvenlik kilitlerinin bozulmaması veya kurcalanmaması gerekir.
- Cihazın ön yüzü ile kapısı arasında herhangi bir nesne koymayın veya kapatma yüzeylerinde kir ya da temizlik maddesi kalıntılarının birikmesine izin vermeyin.
- Mikrodalga enerjisine maruz kalınmasına karşı koruma sağlayan kapağın sökülmesini içeren herhangi bir servis ve onarım işlerini yetkili kişi/servis dışında kişilerin yapması tehlikelidir.
- Cihaz sadece evde, gıdaların hazırlanması, ısıtılması ve buzlarının çözülmesi için kullanılmak üzere tasarlanmıştır; ticari maksatla kullanılmamalıdır. Kurallara aykırı kullanım yüzünden oluşan hasarlar için üretici mesul tutulamaz.
- Cihazı dış mekanlarda veya banyoda, nemli ortamlarda ve ürünün ıslanma riski olduğu yerlerde kullanmayın.
- Hatalı kullanımdan veya cihazın uygunsuz şekilde taşınmasından kaynaklanan hasarlar için herhangi bir sorumluluk veya garanti talebi kabul edilmez.
- Kesinlikle cihazı parçalara ayırmayın. Hatalı kullanımın neden olduğu hasar için hiçbir garanti talebi kabul edilmez.
- Sadece orijinal parçaları veya üretici tarafından tavsiye edilen parçaları kullanın.
- Kullanımda olduğu zaman bu cihazın yanından ayrılmayın.
- Cihazı daima dengeli, düz, temiz, kuru ve kaymayan bir yüzey üzerinde kullanın.
- Bu cihaz harici bir zamanlayıcı veya ayrı bir uzaktan kumanda sistemiyle çalıştırılmamalıdır.

1 Önemli güvenlik ve çevre talimatları

- Cihazı ilk kez kullanmadan önce tüm parçalarını temizleyin. Lütfen "Temizlik ve bakım" bölümündeki ayrıntılara bakın.
- Cihazı, bu kılavuzda belirtildiği gibi sadece kendi kullanım amacı doğrultusunda kullanın. Bu cihazda aşındırıcı kimyasal maddeler veya buharlar kullanmayın. Bu fırın özellikle yiyecekleri ısıtmak, pişirmek için tasarlanmıştır. Sanayi veya laboratuvar kullanımı için tasarlanmamıştır.
- Cihazı giysi ya da mutfak havlularınızı kurutmak için kullanmayın.
- Kullanım sırasında cihaz çok ısınır. Cihazın içindeki sıcak elemanlara dokunmamaya dikkat edilmelidir.
- Cihaz hiç bir canlıyı kurutmak için tasarlanmamıştır.
- Cihaz boşken çalıştırmayın.
- Isıtılan yiyecekten kaba aktarılan ısı yüzünden pişirme kabı ısınabilir. Kabı tutmak için fırın eldivenleri gerekebilir.
- Mikrodalga fırınlarda kullanıma uygun olduklarından emin olmak için kaplar kontrol edilmelidir.
- Cihazı ocak veya diğer ısı üreten cihazların üzerine yerleştirmeyin. Aksi takdirde hasar görebilir ve garanti geçersiz kalır.

- Mikrodalga fırın kurulum talimatlarına uygun olmayan bir kabin içine yerleştirilmemelidir.
- Yiyeceği pişirdikten sonra kapakları ya da folyoyu açarken buhar püskürebilir.
- Her türlü ısıtılmış yiyeceği çıkartırken eldiven kullanın.
- Kullanım esnasında cihaz ve erişilebilir yüzeylerin sıcaklıkları yüksek olabilir.
- Kullanım esnasında kapı ve dış cam sıcaklıkları yüksek olabilir.

1.1.1 Elektrik güvenliği

- Beko Mikrodalga Fırın, geçerli güvenlik standartlarına uygundur; bundan dolayı herhangi bir tehlikeyi önlemek için cihaz veya elektrik kablosu hasar görmesi durumunda satıcı, servis merkezi veya benzeri uzman ve yetkili servis tarafından onarılmalı veya değiştirilmelidir. Hatalı veya yeterli olmayan onarım işlemleri, kullanıcıya yönelik tehlike ve riskler meydana getirebilir.
- Şebeke güç kaynağınızın cihazın tip etiketinde belirtilen bilgilere uygun olduğundan emin olun. Cihazı güç kaynağından ayırmanın tek yolu elektrik fişini prizden çekmektir.

1 Önemli güvenlik ve çevre talimatları

- Cihazı topraklı prizde kullanın.
- Elektrik kablosu veya cihaz hasarlıysa cihazı asla kullanmayın.
- Bu cihazı uzatma kablosuyla kullanmayın.
- Ellerinizi nemli veya ıslakken cihaza veya cihazın fişine asla dokunmayın.
- Cihazı, elektrik fişine her zaman ulaşılabilir şekilde yerleştirin.
- Elektrik kablosunun hasar görmesini önlemek için sıkışmasını, kıvrılmasını veya keskin kenarlara sürtünmesini engelleyin. Elektrik kablosunu sıcak yüzeylerden ve açık alevden uzak tutun.
- Cihazın kullanımı esnasında elektrik kablosunun yanlışlıkla çekilmesi veya birinin kabloya takılma tehlikesinin olmadığından emin olun.
- Cihazı temizlemeden önce her zaman prizden çekin ve cihaz kullanımdayken asla temizlik yapmayın.
- Cihazı güç kaynağından ayırmak için kablosundan çekmeyin ve kablosunu cihazın etrafına sarmayın.
- Cihazı, elektrik kablosunu veya elektrik fişini suya ya da diğer sıvılara batırmayın. Akan suyun altında tutmayın.
- Plastik veya kağıt kaplardaki yiyecekleri ısıtırken tutuşma olasılığına karşı fırını sık sık kontrol edin.
- Mikrodalga fırında kullanıma uygun torbaları fırına yerleştirmeden önce kağıt veya naylon torbaların tel bağcıklarını ve/veya metal tutamaklarını çıkartın.
- Duman gözlenirse cihazın düğmesini kapatın veya fişini çıkarın ve alev almasını engellemek için kapağı kapalı tutun.
- Cihazın iç kısmını bir şeyler saklamak amacıyla kullanmayın. Cihaz kullanımda değilken içinde kağıt ürünler, yemek pişirme malzemeleri veya yiyecek bırakmayın.
- Yanık tehlikesini önlemek için biberon ve bebek maması kavanozlarının içindeki yiyecekler, tüketilmeden önce karıştırılmalı veya çalkalanmalı ve sıcaklığı kontrol edilmelidir.
- Bu ürün bir Grup 2 Sınıf B ISM cihazıdır. Grup 2, maddelerin işlenmesi için içinde radyo frekans enerjisi kasıtlı olarak üretilen ve/veya elektromanyetik ışıma biçiminde kullanılan tüm ISM (endüstriyel, bilimsel ve tıbbi) cihazlar ve kıvılcım ile aşındırma cihazlarıdır.

1 Önemli güvenlik ve çevre talimatları

- Sınıf B cihazları, evlerde ve insanların yaşadığı binalara elektrik sağlayan düşük gerilimli elektrik şebekesine doğrudan bağlı binalarda kullanılmak için uygundur.
- Cihaz çalışırken kapak veya dış yüzey ısınabilir.
- Mikrodalga fırınınızı kabuklu veya kabuksuz, çırpılmamış yumurtaları pişirmek veya tekrar ısıtmak için kullanmayın.
- Cihazın arkasında ve yanlarında bulunan gerekli hava sirkülasyonunun sağlanması için kabin duvarları ile cihaz arasındaki min. mesafenin korunmasını sağlayan parçaları asla çıkarmayın.

1.1.2 Ürün güvenliği

- Patlama tehlikesi olduğu için sıvılar veya diğer yiyecekler kapalı kaplarda ısıtılmamalıdır.
- İçeceklerin mikrodalga ile ısıtılması, fırından çıkarıldıktan sonra püskürerek kaynamasına neden olabilir; bu nedenle kaplar tutulurken dikkatli olunmalıdır.
- Fırında kızartma yapmayın. Sıcak yağ fırın parçalarına ve malzemelerine zarar verebilir hatta cilt yanıklarına neden olabilir.
- Patates, bütün kabak, elma ve kestane gibi kalın kabukları olan yiyecekleri pişirmeden önce delin.
- Cihaz, arka kısmı duvara gelecek şekilde yerleştirilmelidir.
- Kapı ve kapı contaları zarar görürse fırın, yetkili kişi tarafından onarılanaya kadar çalıştırılmamalıdır.
- Cihazı taşımadan önce, hasar görmesini önlemek için lütfen döner tablayı sabitleyin.

1.2 Kullanım amacı

- Mikrodalga fırın sadece ankastre olarak kullanılır.
- Cihazı, kullanım amacının dışında hiçbir amaç için kullanmayın.
- Cihazı ısı kaynağı olarak kullanmayın.
- Mikrodalga fırın yalnızca yiyeceklerin buzunu çözmek, pişirmek ve buğulama yapmak içindir.
- Yiyecekleri gereğinden fazla pişirmeyin yangına neden olabilirsiniz.
- Cihazın temizlenmesinde buharlı temizleyiciler kullanılmamalıdır.

1 Önemli güvenlik ve çevre talimatları

1.3 Çocuk güvenliği

- Cihaz çocukların ve sınırlı fiziksel, duyuşal ya da zihinsel kapasiteye sahip insanların yakınında kullanıldığında son derece dikkatli olunması tavsiye edilir.
- Bu cihaz, cihazın güvenli bir şekilde kullanımıyla ilgili olarak gözetim altında tutulmaları veya kendilerine talimat verilmesi ve cihazın kullanımıyla ilgili tehlikeleri anlamaları koşuluyla 8 yaş ve üzeri çocuklar ile kısıtlı fiziksel, duyuşal veya zihinsel kapasiteye sahip olan ya da bilgi ve deneyimi olmayan kişilerce kullanılabilir. Çocuklar cihazla oynamamalıdır. Temizlik ve kullanıcı bakım işlemleri, başlarında bir büyük olmadığı sürece çocuklar tarafından yapılmamalıdır.
- Boğulma tehlikesi! Tüm ambalaj malzemelerini çocuklardan uzak tutun.
- Çocukların, fırını başlarında biri olmadan kullanmasına, yalnızca fırını güvenli bir şekilde kullanabilmeleri için yeterli talimatları verdikten ve uygunsuz kullanımın tehlikelerini kavramalarını sağladıktan sonra izin verin.

- Izgara veya kombi modunda oluşacak ısınmalardan dolayı çocuklar bu modları sadece yetişkin birinin gözetiminde kullanılmalıdır.
- Cihazı ve şebeke kablosunu 8 yaşından küçük çocukların erişemeyeceği yerde bulundurun.
- Kullanım esnasında cihaz ve erişilebilir yüzeylerin sıcaklıkları yüksek olabilir. Çocuklar uzak tutulmalıdır.

1.4 AEEE yönetmeliğine uyum ve atık ürünün elden çıkarılması



Bu ürün, T.C. Çevre ve Şehircilik Bakanlığı tarafından yayımlanan "Atık Elektrikli ve Elektronik Eşyaların Kontrolü Yönetmeliği"nde belirtilen zararlı ve yasaklı maddeleri içermez. AEEE Yönetmeliğine uygundur. Bu ürün, geri dönüşümlü ve tekrar kullanılabilir nitelikteki yüksek kaliteli parça ve malzemelerden üretilmiştir. Bu nedenle, ürünü, hizmet ömrünün sonunda evsel veya diğer atıklarla birlikte atmayın. Elektrikli ve elektronik cihazların geri dönüşümü için bir toplama noktasına götürün. Bu toplama noktalarını bölgenizdeki yerel yönetime sorun. Kullanılmış ürünleri geri kazanıma vererek çevrenin ve doğal kaynakların korunmasına yardımcı olun.

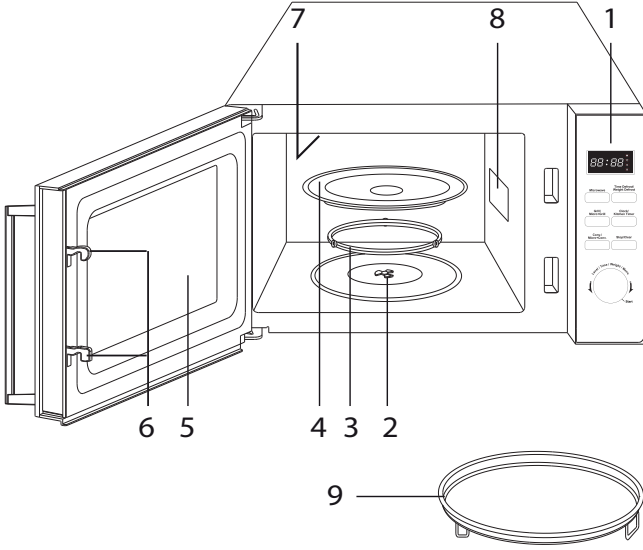
1.5 Ambalaj bilgisi



Ürünün ambalajı, Ulusal Mevzuatımız gereği geri dönüştürülebilir malzemelerden üretilmiştir. Ambalaj atığını evsel veya diğer atıklarla birlikte atmayın, yerel otoritenin belirttiği ambalaj toplama noktalarına atın.

2 Mikrodalga fırınınız

2.1 Genel Bakış



1. Kontrol paneli
2. Döner tabla mili
3. Döner tabla desteği
4. Cam tepsi
5. Fırın camı
6. Kapak güvenlik kilidi sistemi
7. Izgara ısıtıcı
8. Dalga kılavuzu (Lütfen dalga kılavuzunu kaplayan mika plakayı sökmeyin)
9. Fırın tepsi

Cihazın üzerindeki işaretler veya ürünle birlikte verilen diğer belgelerde belirtilen değerler, ilgili standartlara uygun olarak laboratuvar koşullarında elde edilmiştir. Bu değerler, cihazın kullanımına ve ortam koşullarına göre değişiklik gösterebilir. Güç değerleri 230 V gerilimde test edilmiştir.

2 Mikrodalga fırınınız

2.2 Teknik veriler

	MCF25210X	MCF28310X	MCF32410X
Gerilim/Frekans	230-240V/50Hz,		
Güç Girişi - Mikrodalga	1400 W		1500 W
Güç Çıkışı - Mikrodalga	900 W		1000 W
Güç - Izgara	1200 W	1250 W	
Giriş Gücü (Konveksiyon)	2250 W	2300W	
Mikrodalga Frekansı	2450 MHz		
Döner tabla çapı	270 mm	315 mm	
Dış boyutlar	562*560*362 mm	608*558*366 mm	608*604*366 mm
Fırın boşluğu boyutları	340(L)*333(D)*240(H) mm	353(L)*345(D)*245(H) mm	368(L)*384(D)*238(H) mm
Fırın Kapasitesi	25 L	28 L	32 L
Net ağırlık	16.8 kg	19.8 kg	21.2 kg

3 Kurulum ve bağlantı

3.1 Kurulum

1. Kapağın iç kısmındaki tüm ambalaj malzemelerini sökün.



UYARI: Fırını hasara karşı inceleyin; kapağın yanlış ayarlanmış veya eğilmiş olup olmadığını, kapak contalarının ve sızdırmazlık yüzeyinin hasar görüp görmediğini, fırın boşluğu içerisindeki veya kapıdaki menteşelerin ve mandalların kırık/gevşek olup olmadığını kontrol edin. Hasar varsa fırını çalıştırmayın, kalifiye servis personeliyle iletişime geçin.

2. Mikrodalga fırın, kendi ağırlığını ve fırında pişirebilecek en ağır yiyeceğin ağırlığını kaldırabilecek düz, dengeli bir yüzeye yerleştirilmelidir.
3. Fırının ısı, nem ya da rutubet olan yerlere ve yanıcı maddelerin yakınına koymayın.
4. Fırının düzgün çalışabilmesi için yeterli hava akışı sağlanmalıdır. Fırının üst yüzeyinden itibaren en az 20 cm, her iki yanından ise 5'er cm boşluk bırakın. Mikrodalga fırının arka plakası, duvara yakın yerleştirilmelidir. Ürünün hiçbir açıklığını kapatmayın/örtmeyin. Ürünün ayaklarını sökme-
yin.
5. Cam tepsi, yuvarlak destek ve mil yerinde değilse fırını çalıştırmayın.
6. Güç kablosunun hasarsız olduğundan ve fırının altından veya sıcak ya da keskin bir yüzeyden geçmediğinden emin olun.
7. Acil durumlarda ürünün fişinin kolaylıkla çekilebilmesi için priz kolay erişilebilir bir yerde olmalıdır.
8. Fırını açık alanlarda kullanmayın.

3.2 Radyo paraziti

Mikrodalga fırının çalışması radyoda, TV'de ve benzeri ekipmanlarda parazite neden olabilir. Parazit, aşağıdaki önlemler alınarak azaltılabilir veya tamamen ortadan kaldırılabilir:

1. Fırının kapağını ve sızdırmazlık yüzeyini temizleyin.
2. Radyonun veya televizyonun alıcı anteninin yönünü değiştirin.
3. Mikrodalga fırının yerini alıcıya göre değiştirin.
4. Mikrodalga fırını alıcıdan uzaklaştırın.
5. Mikrodalga fırının fişini, alıcıyla farklı devre parçalarında olacağı farklı bir prize takın.

3.3 Topraklama talimatları

Bu cihaz mutlaka topraklanmalıdır. Bu fırın, topraklama fişinin bulunduğu topraklama teline sahip bir kabloyla donatılmıştır. Uygun şekilde kurulum topraklanmış bir prize takılmalıdır. Topraklama, bir kısa devre olması durumunda, elektrik akımının bir kablo üzerinden kaçmasını sağladığından elektrik çarpması riskini azaltır. Yalnızca fırına ait ayrı bir devre kullanılması önerilir. Yüksek voltaj kullanımı tehlikelidir ve yangına ya da fırının hasar göreceği başka türlü kazalara neden olabilir.



UYARI: Topraklama fişinin uygun-suz kullanımı elektrik çarpması riski doğurabilir.



Topraklama ya da elektrik talimatları hakkında sorunuz varsa ehliyetli bir elektrikçiye ya da servis görevlisine danışın.



Üretici ve satıcı, elektrik bağlantısı prosedürlerine uyulmaması sonucu meydana gelen ürün hasarları ve yaralanmalar için sorumluluk kabul etmemektedir.

Bu ana kablodaki teller aşağıdaki koda göre renklendirilmiştir:

Yeşil ve Sarı = TOPRAK

Mavi = NÖTR

Kahverengi = AKIMLI

3 Kurulum ve bağlantı

3.4 Mikrodalga pişirme esasları

1. Yiyecekleri dikkatli bir şekilde yerleştirin. En kalın kısımları kabin dışına doğru koyun.
2. Pişirme süresine dikkat edin. Belirtilen en kısa süre boyunca pişirme yapın, gerekirse süreyi artırın. Çok fazla pişirilen yiyeceklerden duman çıkabilir veya bu yiyecekler tutuşabilir.
3. Pişirme sırasında yiyeceklerin üstünü kapatın. Böylelikle sıçramayı önlemiş ve yiyeceğin eşit pişmesini sağlamış olursunuz.
4. Tavuk ve hamburger gibi yiyeceklerin pişirme sürecini hızlandırmak için bu yiyecekleri mikrodalga pişirme işlemi süresince bir kez çevirin. Rosto gibi büyük yiyecekler en az bir kez çevrilmelidir.
5. Köfte gibi yiyeceklerde, pişirme işleminin yarısından itibaren hem üsttekilerle alttakilerin, hem de kabin iç kısmındakilerle dış kısmındakilerin yerini değiştirin.

3.5 Servis çağırmadan önce

Fırın çalışmıyorsa:

1. Fırının fişinin tam olarak takılı olup olmadığını kontrol edin. Takılı değilse fişi prizden çekin, 10 saniye bekleyin ve tekrar takın.
 2. Patlamış bir sigorta veya atmış ana devre ke-sici olup olmadığını kontrol edin. Bunlar doğru çalışıyor gibi görünüyorsa prize başka bir cihaz takarak prizi kontrol edin.
 3. Kontrol panelinin doğru ayarlanıp ayarlanmadığını ve zamanlayıcının kurulup kurulmadığını kontrol edin.
 4. Kapağın iyice kapalı olup olmadığını bakın, kapak güvenlik kilidi sistemini etkinleştirin. Aksi takdirde, mikrodalga enerjisi fırına iletilmez.
- YUKARIDAKİ İŞLEMLER YAŞADIĞINIZ SORUNU DÜZELTMİYORSA KALİFİYE BİR TEKNİSYENLE İLETİŞİME GEÇİN. FIRINI KENDİNİZ AYARLAMAYA VEYA ONARMAYA ÇALIŞMAYIN.

3.6 Gereç kılavuzu

1. Mikrodalga, metallerden geçemez. Yalnızca mikrodalga fırınlar için uygun olan gereçleri kullanın. Yiyecek ve içecekler için kullanılan metal kaplara, mikrodalga pişirme sırasında izin verilmez. Üretici, mikrodalga pişirmeye uygun metal kapların boyutunu ve şeklini belirtmişse bu kural geçerli değildir.
2. Mikrodalga metalden geçemez. Bu nedenle, metal gereçler ve metalik işlemeli kaplar kullanılmamalıdır.
3. Mikrodalga pişirme sırasında, geri dönüştürülmüş kağıt ürünler kullanmayın. Bu ürünler, kıvılcımlanmaya ve/veya yangına neden olabilecek küçük metal parçacıklar içerebilir.
4. Köşeli kaplarda yiyeceğin köşe bölümleri çok piştiği için kare/dikdörtgen kaplardan ziyade yuvarlak/oval kaplar kullanılması önerilir.
5. Yiyeceğin açıkta kalan kısımlarının çok pişmesini önlemek için alüminyum folyodan yapılmış ince şeritler kullanılabilir. Ancak, bu şeritlerden çok fazla kullanmamaya ve folyo ile açıklık arasında 2,54 cm (1 inç) boşluk bırakmaya dikkat edilmelidir.

3 Kurulum ve bağlantı

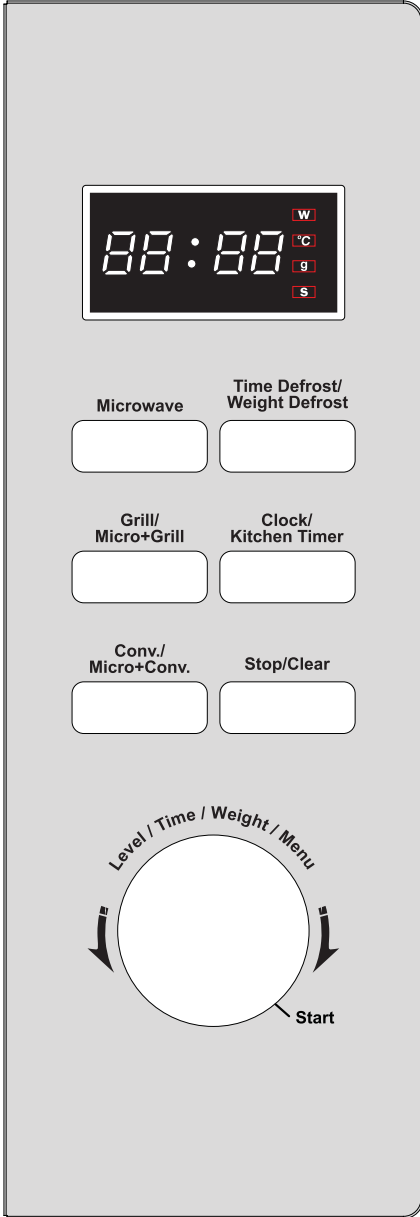
Aşağıdaki liste, doğru gereçleri seçmenize yardımcı olacak genel bir kılavuzdur.

Pişirme gereci	Mikrodalga	Izgara	Konveksiyon	Kombinasyon*
Isıya Dayanıklı Cam	Evet	Evet	Evet	Evet
Isıya Dayanıksız Cam	Hayır	Hayır	Hayır	Hayır
Isıya Dayanıklı Seramik	Evet	Evet	Evet	Evet
Mikrodalgada Kullanılabilir Plastik Kap	Evet	Hayır	Hayır	Hayır
Havlu Kağıt	Evet	Hayır	Hayır	Hayır
Metal Tepsi	Hayır	Evet	Evet	Hayır
Pişirme plakası	Hayır	Evet	Evet	Hayır
Alüminyum Folyo ve Folyo Kaplar	Hayır	Evet	Evet	Hayır

* Kombinasyon: hem "micro+grill" (mikrodalga+ızgara), hem de "micro+convection" (mikrodalga+konveksiyon) için geçerlidir.

4 Kullanım

4.1 Kontrol paneli



4.2 Menü İşlem Ekranı

- Pişirme süresi, güç, işlem göstergeleri ve saat görüntülenir.

"Microwave" (Mikrodalga)

- Bu tuşa basarak mikrodalga pişirme programını ayarlayabilirsiniz.

"Clock/Kitchen Timer" (Saat/Mutfak Zamanlayıcısı)

- Bu tuşa basarak saati ayarlayabilirsiniz.
- Bu tuşu, mutfak zamanlayıcısı fonksiyonunu ayarlamak için kullanabilirsiniz.

Conv/Micro + Conv. (Konv./Mikro + Konv.)

- Konveksiyonlu pişirmeye programlamak için bu tuşa basın.
- Dört kombinasyon pişirme ayarlarından birini seçmek için bu tuşa basın.

"Grill/Micro+Grill" (Izgara/Mikro+Izgara)

- Izgara programını ayarlamak için bu tuşa basın.
- İki kombinasyon pişirme ayarlarından birini seçmek için bu tuşa basın.

"Stop/Clear" (Durdur/Sil)

- Bir pişirme programı ayarlamadan önce fırını sıfırlamak ya da ayarı iptal etmek için bu tuşa basın.
- Pişirme işlemini geçici olarak durdurmak için bir kez, tamamen iptal etmek için iki kez basın.

"Level/Time/Weight/Menu" (Seviye/Süre/Ağırlık/Menü) (Kadran)

- Pişirme süresini girmek için kadranı çevirin.
- Otomatik bir pişirme menüsü seçmek için kadranı çevirin.
- Mikrodalga pişirme gücü seviyesini ayarlamak için kadranı çevirin.
- Konveksiyonlu pişirme sıcaklığını ayarlamak için kadranı çevirin.

4 Kullanım

“Start” (Başlat) (Kadran)

- Bir pişirme programı başlatmak için bir kez basın.
- Pişirme süresini ayarlamak ve tam güçte hızlı pişirme yapmak için birkaç kez basın.

Time Defrost/Weight Defrost (Zamana Göre Buz Çözme/Ağırlığa Göre Buz Çözme)

- Girilen zamana göre buz çözme işlemini başlatmak için bir kez basın.
- Girilen ağırlığa göre buz çözme işlemini başlatmak için iki kez basın.

4.3 Fırın kontrol birimlerinin ayarlanması

- Fırın ilk kez prize takıldığında bir bip ses gelir ve ekranda “1:01” görüntülenir.
- Pişirme sırasında “Stop/Clear” seçeneğine bir kez basarsanız program duraklatılır, “Start” seçeneğine bastığınızda ise devam eder. Ancak, “Stop/Clear” seçeneğine iki kez basarsanız program iptal edilir.
- Pişirme işlemi sona erdikten sonra sistem her iki dakikada bir bip sesi çıkararak kullanıcıya uyarı verir. Bu, kullanıcı “Stop/Clear” seçeneğine basana ya da kapağı açana kadar devam eder.
- Mikrodalga fırının elektronik kontrol sisteminde soğutma özelliği mevcuttur. Pişirme süresinin 2 dakikadan fazla olduğu herhangi bir pişirme modunda fırın kapağını açmazsanız pişirme programı duraklatılır, fırın fan yaklaşık 3 dakika boyunca otomatik olarak çalışarak fırını soğutur. Böylelikle, fırınınızın ömrü uzar.

4.4 Saat ayarlama

Bu, 12 veya 24 dilimlik bir saattir. Clock/Kitchen seçeneğine dokunarak seçim yapabilirsiniz.

ÖRNEĞİN: Fırın saatini 8.30'a ayarlamak istediğinizi varsayalım.

1. “Clock/Kitchen Timer” tuşuna 3 saniye basılı tutarak 12 saatlik çevrimi seçin (24 saatlik seçeneği istiyorsanız tekrar basın).

2. Level/Time/Weight/Menu kadranını çevirerek saat hanesini 8'e ayarlayın.
3. “Clock/Kitchen Timer” düğmesine bir kez basarak saat ayarını onaylayın.
4. Level/Time/Weight/Menu kadranını çevirerek dakika hanesini 30'a ayarlayın.
5. “Clock/Kitchen Timer” düğmesine bir kez basarak ayarı onaylayın.



Fırın çalışırken saati kontrol etmek isterseniz “Clock/Kitchen Timer” düğmesine basın; güncel saat, gösterge ekranında bir süreliğine görüntülenecektir.

4.5 Hızlı başlatma

Hızlı başlatmalı pişirme programında, fırın, yiyeceği YÜKSEK güçte (%100 güç kısıyla) pişirir.

“Start” düğmesine birkaç kez basarak pişirme süresini ayarlamanız yeterlidir; fırın, otomatik olarak tam güçte çalışmaya başlar. Girebileceğiniz maksimum pişirme süresi 10 dakikadır.

4.6 Mikrodalga pişirme

“Mikrodalga” pişirmede, pişirme gücü seviyesi ve pişirme süresi ayarlanabilir. En uzun pişirme süresi 95 dakikadır.

Yiyeceğinizi 10 dakika boyunca “Mikrodalga” gücüyle 450 W düzeyinde pişirmek istediğinizi varsayalım.

1. “Microwave” düğmesine bir kez basıp “Level/Time/Weight/Menu” kadranını çevirerek pişirme gücü seviyesini seçin.
2. “Start” düğmesine basarak onaylayın.
3. “Level/Time/Weight/Menu” kadranını çevirerek pişirme süresini ayarlayın.
4. “Start” seçeneğine basın.

4 Kullanım



"Level/Time/Weight/Menu" kadranını çevirerek seçebileceğiniz 11 tür pişirme gücü seviyesi vardır (P100, P-90, P-80, P-70, P-60, P-50, P-40, P-30, P-20, P-10, P-00). Pişirme sırasında, "Microwave" pedine dokunarak güç seviyesini kontrol edebilirsiniz.

4.7 Ağırlığa göre buz çözme

Fırın, girdiğiniz ağırlığa göre buz çözmenize olanak sağlar. Yiyecek kategorisi ve ağırlığı programlandığında, buz çözme süresi ve güç seviyesi otomatik olarak ayarlanır. Donmuş yiyecek ağırlığı 100 g ile 1800 g arasında olabilir.

1. Bekleme modundayken Time Defrost/Weight Defrost pedine iki kez basın.
2. "Level/Time/Weight/Menu" kadranını çevirerek buz u çözülecek yiyeceğin ağırlığını seçin.
3. "Start" düğmesine basarak onaylayın.



Fırın, buz çözme işlemi esnasında durarak, eşit buz çözme olması için kullanıcıyı yiyeceği çevirmesi konusunda uyarır. "Start" düğmesine basarak kalan süre boyunca buz çözme işlemi yapmaya devam edebilirsiniz.

Önerilen maksimum değer in üzerinde bir ağırlık girerseniz fırın iyi pişirme yapmaz.

4.8 Zamana göre buz çözme

Fırın, girdiğiniz zamana göre buz çözmenize olanak sağlar.

1. Bekleme modundayken "Defrost/Weight Defrost" pedine bir kez basın.
2. "Level/Time/Weight/Menu" kadranını çevirerek buz çözme süresini girin.
3. "Start" düğmesine basarak onaylayın.



Fırın, buz çözme işlemi esnasında durarak, eşit buz çözme olması için kullanıcıyı yiyeceği çevirmesi konusunda uyarır. "Start" düğmesine basarak kalan süre boyunca buz çözme işlemi yapmaya devam edebilirsiniz.

4.9 Izgara

Fırın, girdiğiniz süreye göre ızgara yapmanıza olanak sağlar. En uzun pişirme süresi 95 dakikadır.

1. "Grill/Micro+Grill" düğmesine bir kez basın.
2. "Start" düğmesine basarak onaylayın.
3. "Level/Time/Weight/Menu" kadranını çevirerek pişirme süresini girin.
4. "Start" seçeneğine basın.

4.10 Micro + Grill

En uzun pişirme süresi 95 dakikadır. Bu özellik, ızgara ve "Microwave" (Mikrodalga) pişirme özelliğini iki farklı ayarda birleştirmenize olanak sağlar.

4.10.1 Kombinasyon 1

Pişirme süresinin %30'u "Mikrodalga" pişirme, %70'i ise ızgarada pişirmedir. Bu seçeneği balık, patates veya graten için kullanabilirsiniz.

25 dakikalık pişirme işlemi için kombinasyon 1'i kullanmak istediğinizi varsayalım.

1. "Grill/Micro+Grill" düğmesine iki kez basıp ekranda "Gr2" görüntülenene kadar "Level/Time/Weight/Menu" düğmesini çevirin.
2. "Start" düğmesine basarak onaylayın.
3. "Level/Time/Weight/Menu" kadranını çevirerek pişirme süresini girin.
4. "Start" seçeneğine basın.

4.10.2 Kombinasyon 2

Pişirme süresinin %55'i "Mikrodalga" pişirme, %45'i ise ızgarada pişirmedir. Bu seçeneği puding, omlet, fırında patates ve kümes hayvanları için kullanabilirsiniz.

12 dakikalık pişirme işlemi için kombinasyon 2'yi kullanmak istediğinizi varsayalım.

1. "Grill/Micro+Grill" düğmesine iki kez basıp ekranda "Gr3" görüntülenene kadar "Level/Time/Weight/Menu" düğmesini çevirin.
2. "Start" düğmesine basarak onaylayın.
3. "Level/Time/Weight/Menu" kadranını çevirerek pişirme süresini girin.
4. "Start" seçeneğine basın.

4.11 Konveksiyon

Konveksiyonlu pişirme sırasında, sıcak hava, fırın boşluğunda dolaşarak yemekleri hızlı ve eşit bir şekilde kızartır ve yiyeceklerin çıtır çıtır olmasını sağlar. Bu fırın, on farklı pişirme sıcaklığı için programlanabilir. Kullanıcının ayarlayabileceği maksimum pişirme süresi 95 dakikadır.

Konveksiyonlu Pişirme

Konveksiyonlu pişirme yapmak için "Conv/Micro+Conv." pedine bir kez basıp "Level/Time/Weight/Menu" kadranını saat yönünde çevirerek istediğiniz konveksiyon sıcaklığını girin (110°C, 120°C, 130°C, 140°C, 150°C, 160°C, 170°C, 180°C, 190°C, 200°C).

40 dakika boyunca 180°C'de pişirme yapmak istediğinizi varsayalım.

1. Bekleme modundayken, yiyeceği fırına yerleştirip kapağı kapatın.
2. "Conv/Micro+Conv." pedine bir kez basıp "Level/Time/Weight/Menu" kadranını saat yönünde çevirerek konveksiyon sıcaklığı olan 180°C'yi girin.
3. "Start" düğmesine basarak onaylayın.
4. "Level/Time/Weight/Menu" düğmesini çevirerek pişirme süresini girin (En uzun pişirme süresi 95 dakikadır).
5. "Start" seçeneğine basın.



"Conv/Micro+Conv." pedine dokunarak pişirme işlemi sırasında konveksiyon sıcaklığını kontrol edebilirsiniz.

Konveksiyonla Ön Isıtma ve Pişirme Yapmak

Fırınınız, ön ısıtma ve konveksiyonlu pişirme işlemlerini birleştirecek şekilde programlanabilir. Fırını 170°C'ye ısıtmak ve sonra 35 dakika pişirme yapmak istediğinizi varsayalım.

1. Bekleme modundayken, yiyeceği fırına yerleştirip kapağı kapatın.
2. "Conv/Micro+Conv." pedine bir kez basıp "Level/Time/Weight/Menu" kadranını saat yönünde çevirerek konveksiyon sıcaklığı olan 170°C'yi girin.
3. "Start" seçeneğine basarak onaylayın ve "Start" pedine tekrar basın.
4. Fırın gerekli sıcaklığa ulaştığında kullanıcıya hatırlatma yapmak için 5 saniyede bir bip sesi çıkarır.
5. Kapağı açın ve yiyecek kabını döner tablanın ortasına yerleştirin.
6. "Level/Time/Weight/Menu" kadranını çevirerek pişirme süresini girin.
7. "Start" seçeneğine basın.



En uzun ön ısıtma süresi 30 dakikadır ve ön ısıtma süresi ayarlanamaz. Fırın, ön ısıtma sıcaklığına ulaştığında her 5 saniyede bir bip sesi çıkarır. 30 dakika içinde herhangi bir işlem yapılmadığı takdirde program otomatik olarak sona erer.

4.12 Micro+convection

Fırında, hem konveksiyonlu ısıtma hem de "Mikrodalga" seçeneğiyle otomatik olarak pişirme yapmanızı kolaylaştıran dört adet ön programlı ayar bulunur. Kullanıcının ayarlayabileceği maksimum pişirme süresi 95 dakikadır.

"Conv/Micro+Conv." düğmesine iki kez basıp "Level/Time/Weight/Menu" kadranını çevirerek programın konveksiyon sıcaklığını programlayın (200C→170C→140C→110C).

1. Bekleme modundayken, yiyeceği fırına yerleştirip kapağı kapatın.

4 Kullanım

2. "Conv/Micro+Conv." düğmesine iki kez basın.
3. "Level/Time/Weight/Menu" kadranını çevirerek konveksiyon sıcaklığını belirtin.
4. "Start" düğmesine basarak onaylayın.
5. "Level/Time/Weight/Menu" kadranını çevirerek pişirme süresini girin.
6. "Start" seçeneğine basın.



"Conv/Micro+Conv." düğmesine basarak pişirme işlemi sırasında konveksiyon sıcaklığını kontrol edebilirsiniz.

4.13 Mutfak zamanlayıcısının ayarlanması

Fırın zamanlayıcısını, size pişirme süresini hatırlatacak şekilde ayarlayabilirsiniz. Ayarlayabileceğiniz en uzun süre 95 dakikadır.

Mutfak zamanlayıcısını 30 dakika için ayarlamak istediğinizi varsayalım:

1. "Clock/Kitchen Timer" düğmesine bir kez basın.
2. "Level/Time/Weight/Menu" dijital düğmesini çevirerek 30:00 değerine ayarlayın.
3. "Start" düğmesine basarak onaylayın.



Zamanlayıcı sayım yapmaya başladığında, "Clock/Kitchen Timer" seçeneğine basarak zamanlayıcı süresini 5 saniyeliğine görüntüleyebilir, 5 saniye içinde "Stop/Clear" seçeneğine basarak iptal edebilirsiniz.

4.14 Çocuk kilidi

Çocukların fırını gözetimsiz şekilde çalıştırmasını önlemek için kullanılır. CHILD LOCK (ÇOCUK KİLİDİ) göstergesi ekranda belirir. ÇOCUK KİLİDİ etkinken fırın çalıştıramaz.

ÇOCUK KİLİDİ'nin ayarlanması: Bekleme modundayken, bir dakika boyunca hiçbir işlem yapılmamışken, fırın otomatik olarak çocuk kilidi moduna girer ve tüm düğmeler devre dışı kalır.

ÇOCUK KİLİDİ'nin iptal edilmesi: Çocuk kilidi modunda, fırın kapağını açıp kapatarak programı iptal edebilirsiniz.

4.15 Koruma

4.15.1 Aşırı ısınma koruması

Sistem aşırı sıcaklıktan koruma durumuna girdiğinde, dijital ekranda "E01" görüntülenir ve sorun giderilene kadar bip sesi duyulur. "Stop/Clear" pedine bastığınızda sistem normal bekleme moduna geri döner.

4.15.2 Düşük sıcaklık koruması

Sistem aşırı düşük sıcaklıktan koruma durumuna girdiğinde, dijital ekranda "E02" görüntülenir ve "Stop/Clear" pedine basılana kadar bip sesi duyulur. Ardından, sistem normal bekleme moduna geri döner.

4.15.3 Sensör arıza koruması

Sistem sensörü kısa devre yaptığında sistem, koruma moduna girer. Ekranda "E03" görüntülenir ve "Stop/Clear" pedine basılana kadar bip sesi duyulur. Ardından, sistem normal bekleme moduna geri döner.

4.16 Otomatik pişirme

Aşağıdaki yiyecekler veya pişirme işlemleri için pişirme gücünü ve süresini girmenize gerek yoktur. Pişirmek istediğiniz yiyeceği ve onun ağırlığını belirtmeniz yeterlidir. "Start" düğmesine basıldıktan sonra fırın çalışmaya başlar.

Örneğin:

1. Bekleme modundayken, "Level/Time/Weight/Menu" kadranını saat yönünün tersine çevirerek yiyecek kodunu seçin.
2. "Start" seçeneğine bir kez basın.
3. "Level/Time/Weight/Menu" kadranını çevirerek istediğiniz ağırlığı seçin.
4. "Start" seçeneğine basın.

4 Kullanım

Otomatik pişirme menüsü

Kod	Yiyecek	
A-1	Süt/Kahve (200 ml/ fincan)	NOTLAR: 1. Süt/kahve ve patates için, ekranda yiyeceğin ağırlığı yerine porsiyon sayısı görüntülenir. 2. A-7 ögesi için fırın, buz çözme işlemi esnasında durarak, buzun eşit bir şekilde çözülebilmesi için kullanıcıyı yiyeceği çevirmesi konusunda uyarır. "Start" düğmesine basarak kalan süreyi sonlandırabilirsiniz. 3. Otomatik pişirme işleminin sonucu; voltaj dalgalanması, yiyeceğin şekli ve boyutu, belirli yiyeceklerin pişkinlik seviyesi konusundaki kişisel tercihiniz ve hatta yiyeceği fırına ne kadar doğru yerleştirdiğiniz gibi çeşitli faktörlere bağlıdır. Sonuçtan memnun kalmazsanız lütfen pişirme süresini uygun şekilde değiştirin.
A-2	Patlamış mısır (99g)	
A-3	Spagetti (g)	
A-4	Patates (230 g/adet)	
A-5	Otomatik ısıtma (g)	
A-6	Balık (g)	
A-7	Tavuk (g)	
A-8	Pizza (g)	
A-9	Kek (475 g)	

5 Temizlik ve bakım

5.1 Temizlik ve bakım

1. Temizlik işleminden önce fırını kapatın ve fişi prizden çekin.
2. Fırının içini temiz tutun. Yemeklerde sıçrama olursa veya dökülmüş sıvılar fırının duvarına yapıştırsa nemli bir bezle silin. Fırın çok kirlenirse yumuşak deterjanlar kullanılabilir. Yüzeyde lekelenmeye, çizgilere veya matlaşmaya neden olabileceği için sprey ve diğer sert temizlik maddelerini kullanmaktan kaçının.
3. Dış yüzeyler nemli bir bezle temizlenmelidir. Fırının iç kısmındaki çalışan parçaları zarar vermesini engellemek için, suyun havalandırma deliklerine sızmasına izin verilmemelidir.
4. Kapağın ve camın her iki tarafını, kapak contalarını ve bunların yanındaki parçaları sık sık nemli bir bezle silerek dökülen ve sıçrayan yemekleri temizleyin. Aşındırıcı temizlik ürünleri kullanmayın.
5. Buharlı temizleyiciler kullanılmamalıdır.
6. Kontrol panelinin ıslanmasına izin vermeyin. Yumuşak, nemli bir bezle temizleyin. Kontrol panelini temizlerken, fırının yanlışlıkla açılmasını önlemek için fırın kapağını açık bırakın.
7. Fırının kapağının içerisinde veya dış yüzeylerinde buhar birikirse yumuşak bir bezle silin. Bu, mikrodalga fırın yüksek nemli koşullar altında çalıştırılırsa gerçekleşebilir. Bu durum normaldir.
8. Bazen temizlik yapmak için cam tepsiyi çıkarmak gerekir. Tepsiyi ılık sabunlu suda veya bulaşık makinesinde yıkayın.
9. Aşırı gürültü olmaması için destek halkası ve fırın zemini düzenli olarak temizlenmelidir. Fırının alt yüzeyini yumuşak bir deterjanla silin. Destek halkası ılık, sabunlu suda veya bulaşık makinesinde yıkanabilir. Destek halkasını temizlik için fırın boşluğunun zemininden çıkardıktan sonra mutlaka tekrar yerine takmalısınız.

10. Bir bardak su ile bir limonun suyunu ve kabuğunu derin bir mikrodalga kasesinde karıştırıp mikrodalga fırında 5 dakika ısıtarak fırınınızdaki kötü kokuları giderebilirsiniz. İyice silip yumuşak bir bezle kurulayın.
11. Fırın ışığının değiştirilmesi gerekiyorsa lütfen bir bayiye başvurun.
12. Fırın düzenli olarak temizlenmelidir ve yemek artıkları sökülmelidir. Fırının temiz tutulmaması yüzeyin bozulmasına neden olabilir, bu durum cihazın kullanım ömrünü olumsuz etkileyebilir ve tehlikeli durumlara sebebiyet verebilir.
13. Bu cihazı evsel atıklarınızı attığınız çöp kutusuna atmayın. Bu cihaz, belediyeler tarafından belirlenen özel imha merkezlerine götürülmelidir.
14. Mikrodalga fırın, ızgara fonksiyonuyla ilk kez kullanıldığında hafif bir duman ve koku çıkabilir. Fırın, yağla kaplanmış çelik levhadan yapıldığı için bu durum normaldir. Yeni fırından, yağın yanması nedeniyle duman ve koku çıkacaktır. Bu durum, ürün bir süre kullanıldıktan sonra sona erer.

5.2 Saklama

- Cihazı uzun süre kullanmayı düşünmüyorsanız lütfen dikkatli bir şekilde saklayın.
- Cihaz fişinin çekildiğinden, cihazın soğuduğundan ve tamamen kuru olduğundan emin olun.
- Cihazı serin ve kuru bir yerde saklayın.
- Cihazı, çocukların ulaşamayacağı bir yerde muhafaza edin

5.3 Taşıma ve nakliye

- Taşıma ve nakliye sırasında cihazı orijinal ambalajında taşıyın. Ambalaj, cihazı fiziksel hasarlara karşı korur.
- Cihazın veya ambalajın üzerine ağır yükler koymayın. Cihaz hasar görebilir.
- Cihazın düşürülmesi arızalanmaya veya kalıcı hasara neden olur.

6 Sorun giderme

Normal	
Cihaz TV'de parazitlenmeye neden oluyor	Cihaz çalışırken radyo ve TV'de parazitlenme olabilir. Mikser, elektrikli süpürge ve elektrikli vantilatör gibi küçük elektrikli cihazların neden olduğu parazitlenmeye benzer. Bu durum normaldir.
Fırın lambası kısık	Cihaz düşük güçte pişirme sırasında, fırın lambası kısılabilir. Bu durum normaldir.
Kapakta buhar birikiyor, havalandırma deliklerinden sıcak hava çıkıyor	Pişirme sırasında, gıdalardan buhar çıkabilir. Buharın çoğu havalandırma deliklerinden çıkacaktır. Ama bir kısmı fırın kapağı gibi soğuk bir yerde birikebilir. Bu durum normaldir.
İçinde gıda yokken fırın yanlışlıkla çalıştı	İçinde gıda yokken cihazın çalıştırılması yasaktır. Bu durum çok tehlikelidir.

Sorun	Olası Neden	Çözüm
Cihaz çalışmıyor	1) Güç kablosu düzgün takılmamış.	Fişi çekin. Ardından, 10 saniye sonra fişi yeniden takın.
	2) Sigorta atmıştır veya devre kesici çalışmıştır.	Sigortayı değiştirin veya devre kesiciyi sıfırlayın (şirketimizin profesyonel personeli tarafından onarılır.)
	3) Prizde sorun var.	Prizi başka elektrikli cihazlarla deneyin.
Cihaz ısıtmıyor	4) Kapak iyi kapatılmamış.	Kapağı düzgün bir şekilde kapatın.
Cihaz çalıştığında cam döner tabla gürültü yapıyor	5) Döner tabla ve fırının alt kısmı kirli.	Kirli parçaları temizlemek için "Mikrodalganın Bakımı" bölümüne bakın.

7 Tüketici hizmetleri

Değerli Müşterimiz,

Beko Çağrı Merkezi haftanın 7 günü 24 saat hizmet vermektedir.

Sabit veya cep telefonlarınızdan alan kodu tuşlamadan çağrı merkezi numaramızı arayarak ürününüz ile ilgili arzu ettiğiniz hizmeti talep edebilirsiniz.

Çağrı merkezimiz ile yaptığınız görüşmeler iletişim hizmeti aldığınız operatör firma tarafından sizin için tanımlanan tarifeye göre ücretlendirilir.

Çağrı Merkezimize ayrıca www.beko.com.tr adresindeki "Tüketici Hizmetleri" bölümünde bulunan formu doldurarak veya 0 216 423 23 53 nolu telefona faks çekerek de ulaşabilirsiniz.

Yazılı başvurular için adresimiz:

Arçelik Çağrı Merkezi, Arçelik A.Ş. Ankara Asfaltı Yanı, 34950 Tuzla/İSTANBUL

Beko Çağrı Merkezi
444 0 888

(Sabit telefonlardan veya cep telefonlarından alan kodu çevirmeden)

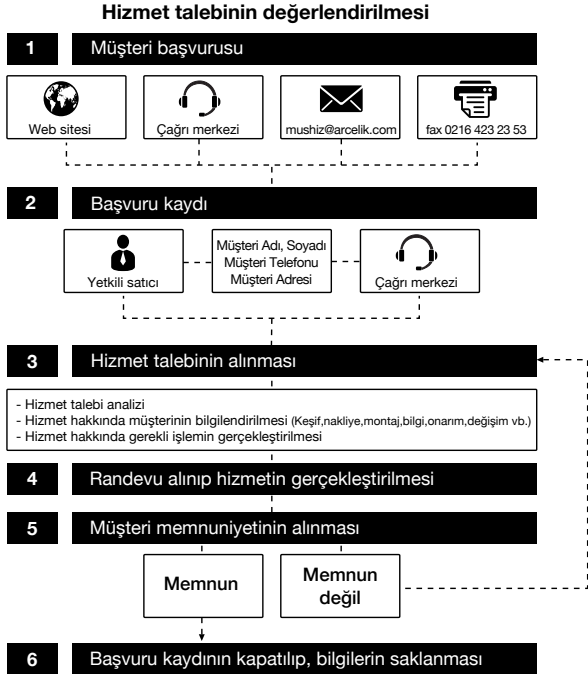
Diğer Numara:
0216 585 8 888

Aşağıdaki önerilere uymanızı rica ederiz.

1. Ürününüzü aldığınızda Garanti belgesini Yetkilili Satıcınıza onaylatınız.
2. Ürününüzü kullanma kılavuzu esaslarına göre kullanınız.
3. Ürününüz ile ilgili hizmet talebiniz olduğunda yukarıdaki telefon numaralarından Çağrı Merkezimize başvurunuz.
4. Hizmet için gelen teknisyene "teknisyen kimlik kartı" nı sorunuz.
5. İşiniz bittiğinde servis teknisyeninden "Hizmet Fişi" istemeyi unutmayınız. alacağınız "Hizmet Fişi" , ilerde ürününüzde meydana gelebilecek herhangi bir sorunda size yarar sağlayacaktır.
6. Ürünün kullanım ömrü: 10 yıldır. (Ürünün fonksiyonunu yerine getirebilmesi için gerekli yedek parça bulundurma süresi).

Müşteri Memnuniyeti Politikası

Arçelik A.Ş. olarak, hizmet verdiğimiz markamızın müşteri istek ve önerilerinin müşteri profili ayırımı yapılmaksızın her kanaldan (çağrı merkezi, e-posta, www.beko.com.tr, faks, mektup, sosyal medya, bayi) rahatlıkla iletilebildiği, izlenebilir, raporlanabilir, şeffaf ve güvenli tek bir bilgi havuzunda toplandığı, bu kayıtların yasal düzenlemelere uygun, objektif, adil ve gizlilik içinde ele alındığı, değerlendirildiği ve süreçlerin sürekli kontrol edilerek iyileştirildiği, mükemmel müşteri deneyimini yaşatmayı ana ilke olarak kabul etmiş müşteri odaklı bir yaklaşımı benimsemekteyiz. Yaklaşımımıza paralel olarak tüm süreçler yönetim sistemi ile entegre edilerek, birbirini kontrol eden bir yapı geliştirilmiş olup, yönetim hedefleri de bu sistem üzerinden beslenmektedir.



Kullanım Hataları ve Garanti ile İlgili Dikkat Edilmesi Gereken Hususlar

Aşağıda belirtilen sorunların giderilmesi ücret karşılığında yapılır. Bu durumlar için garanti şartları uygulanmaz;

- 1) Kullanım hatalarından kaynaklanan hasar ve arızalar,
- 2) Malın tüketiciye tesliminden sonraki yükleme, boşaltma, taşıma vb. sırasında oluşan hasar ve arızalar,
- 3) Malın kullanıldığı yerin elektrik, su, doğalgaz, telefon vb. şebekesi ve/veya altyapısı kaynaklı meydana gelen hasar ve arızalar,
- 4) Doğa olayları ve yangın, su baskını vb. kaynaklı meydana gelen hasar ve arızalar,
- 5) Malın tanıtma ve kullanma kılavuzlarında yer alan hususlara aykırı kullanılmasından kaynaklanan hasar ve arızalar,
- 6) Malın, 6502 sayılı Tüketicinin Korunması Hakkındaki Kanununda tarif edilen şekli ile ticari veya mesleki amaçlarla kullanımı durumunda ortaya çıkan hasar ve arızalar,

Mala yetkisiz kişiler tarafından bakım, onarım veya başka bir nedenle müdahale edilmesi durumunda mala verilmiş garanti sona erecektir.

Garanti uygulaması sırasında değiştirilen malın garanti süresi, satın alınan malın kalan garanti süresi ile sınırlıdır.

Ürününüz Arçelik A.Ş. adına WIK Far East Ltd. tarafından üretilmiştir.

Garanti Belgesi

Mikrodalga Fırın

GARANTİ ŞARTLARI

- 1) Garanti süresi, malın teslim tarihinden itibaren başlar ve 3 yıldır.
- 2) Malın tanıtma ve kullanma kılavuzunda gösterildiği şekilde kullanılması ve Arçelik A.Ş.'nin yetkili kıldığı servis çalışanları dışındaki şahıslar tarafından bakım, onarım veya başka bir nedenle müdahale edilmiş olması şartıyla, malın bütün parçaları dahil olmak üzere tamamını; malzeme, işçilik ve üretim hatalarına karşı malın teslim tarihinden itibaren yukarıda belirtilen süre kadar garanti eder.
- 3) Malın ayıplı olduğunun anlaşılması durumunda tüketici, 6502 sayılı Tüketicinin Korunması Hakkında Kanununun 11 inci maddesinde yer alan;
a- Sözleşmeden dönme, c- Ücretsiz onarılmasını isteme,
b- Satış bedelinden indirim isteme, ç- Satılanın ayıpsız bir misli ile değiştirilmesini isteme,
haklarından birini kullanabilir.
- 4) Tüketicinin bu haklardan ücretsiz onarım hakkını seçmesi durumunda satıcı; işçilik masrafı, değiştirilen parça bedeli ya da başka herhangi bir ad altında hiçbir ücret talep etmeksizin malın onarımını yapmak veya yaptırmakla yükümlüdür. Tüketici ücretsiz onarım hakkını tüketir veya ithalata karşı da kullanabilir. Satıcı, üretici ve ithalatçı tüketicinin bu hakkını kullanmasından müteselsilen sorumludur.
- 5) Tüketicinin, ücretsiz onarım hakkını kullanması halinde malın;
- Garanti süresi içinde tekrar arızalanması,
- Tamiri için gereken azami sürenin aşılması,
- Tamirinin mümkün olmadığında, yetkili servis istasyonu, satıcı, üretici yada ithalatçı tarafından bir raporla belirlenmesi durumlarında;

tüketicinin malın bedel iadesini, ayıp oranında bedel indirimi veya imkân varsa malın ayıpsız misli ile değiştirilmesini satıcıdan talep edebilir. Satıcı, tüketicinin talebini reddedemez. Bu talebin yerine getirilmemesi durumunda satıcı, üretici ile ithalatçı müteselsilen sorumludur.

- 6) İlgili mevzuatlarda belirlenen kullanım ömrü süresince malın azami tamir süresi 20 iş gününü, geçemez. Bu süre, garanti süresi içerisinde mala ilişkin arızanın yetkili servis istasyonuna veya satıcıya bildirim tarihi, garanti süresi dışında ise malın yetkili servis istasyonuna teslim tarihinden itibaren başlar. Garanti kapsamı içerisindeki malın arızasının 10 iş günü içerisinde giderilememesi halinde, üretici veya ithalatçı; malın tamiri tamamlanıncaya kadar, benzer özelliklere sahip başka bir malı tüketicinin kullanımına tahsis etmek zorundadır. Benzer özelliklere sahip başka bir malın tüketici tarafından istenmemesi halinde üretici veya ithalatçılar bu yükümlülüğünden kurtulur. Malın garanti süresi içerisinde arızalanması durumunda, tamirde geçen süre garanti süresine eklenir.
- 7) Malın kullanma kılavuzunda yer alan hususlara aykırı kullanılmasından kaynaklanan hasar ve arızalar garanti kapsamı dışındadır.
- 8) Tüketicinin, garantiden doğan haklarının kullanılması ile ilgili olarak çıkabilecek uyuşmazlıklarda yerleşim yerinin bulunduğu veya tüketici işleminin yapıldığı yerdeki Tüketici Hakem Heyetine veya Tüketici Mahkemesine başvurulabilir.
- 9) Satıcı tarafından bu Garanti Belgesinin verilmesi durumunda, tüketici Gümrük ve Ticaret Bakanlığı Tüketicinin Korunması ve Piyasa Gözetimi Genel Müdürlüğüne başvurabilir.

Üretici veya İthalatçı Firmanın:

Unvanı: Arçelik A.Ş.
Adresi: Arçelik A.Ş. Karaağaç Caddesi No:2-6,
34445, Sütlüce / İSTANBUL
Telefonu: (0-216) 585 8 888
Faks: (0-216) 423 23 53
web adresi: www.beko.com.tr

Malın

Markası: Beko
Cinsi: Mikrodalga Fırın
Modeli: MCF25210X / MCF28310X /
MCF32410X
Bandrol ve Seri No:
Garanti Süresi: 3 YIL
Azami Tamir Süresi: 20 İş günü

GENEL MÜDÜR

Hakan Bıçıl

Arçelik A.Ş.

GENEL MÜDÜR YRD.

Adnan

Satıcı Firmanın:

Unvanı:
Adresi:
Telefonu:
Faks:
e-posta:

Fatura Tarih ve Sayısı:
Teslim Tarihi ve Yeri:
Yetkilinin İmzası:
Firmanın Kaşesi:

Bu bölümü, ürünü aldığınız Yetkili Satıcı imzalayacak ve kaşeleyecektir.

Прочитайте это руководство перед началом эксплуатации!

Уважаемый покупатель!

Благодарим вас за выбор продукции компании Веко. Мы надеемся, что продукция, изготовленная на современном оборудовании и имеющая высокий уровень качества, будет служить вам наилучшим образом. Для этого перед началом эксплуатации внимательно прочитайте данное руководство и все прочие сопроводительные документы и используйте их в дальнейшем в справочных целях. При передаче изделия другому лицу передайте и это руководство. Соблюдайте все предостережения и пользуйтесь сведениями в руководстве пользователя.

Условные обозначения

В разных разделах данного руководства по эксплуатации использованы следующие символы:



Важная информация и полезные советы по эксплуатации.



Предупреждения об опасности травмирования или повреждения имущества



Предупреждение о горячей поверхности.



Это изделие изготовлено на экологически безвредном, современном оборудовании, без нанесения ущерба окружающей среде.

Данное устройство удовлетворяет требованиям Директивы ЕС об отходах электрического и электронного оборудования (WEEE).



Устройство не содержит ПХБ.

1 Важные инструкции по технике безопасности и защите окружающей среды

В этом разделе содержатся правила техники безопасности, соблюдение которых позволит избежать риска возникновения пожара, получения электротравмы, воздействия утечек микроволнового излучения, получения иных травм или причинения материального ущерба. При несоблюдении этих правил все гарантийные обязательства аннулируются.

1.1. Общая безопасность

- Не следует включать печь с открытой дверцей; в противном случае на человека воздействует вредное для здоровья микроволновое излучение. Запрещается отключать или самостоятельно модифицировать предохранительные устройства.
- Между лицевой стороной и дверью печи не должны находиться посторонние предметы. Необходимо следить за тем, чтобы на соприкасающихся поверхностях двери и корпуса не накапливалась грязь или остатки моющего средства.
- Работы по обслуживанию печи, предусматривающие демонтаж крышки, которая обеспечивает защиту от воздействия микроволнового излучения, должны проводиться уполномоченными специалистами/сервисными центрами. Любое иное вмешательство представляет потенциальную опасность.
- Изделие предназначено для приготовления, разогрева и размораживания пищи в домашних условиях. Запрещается использовать изделие в коммерческих целях. Производитель не несет ответственности за ущерб, полученный в результате использования изделия не по прямому назначению.
- Запрещается пользоваться прибором на открытом воздухе, в ванной комнате, в условиях повышенной влажности или в местах, где он может намокнуть.
- В случае неисправности, возникшей вследствие неправильного обращения с прибором, гарантийные рекламации не принимаются.

1 Важные инструкции по технике безопасности и защите окружающей среды

- Ни в коем случае не разбирайте электроприбор. В случае неисправности вследствие неправильного обращения с электроприбором гарантийные рекламации не принимаются.
 - Используйте только оригинальные детали или детали, рекомендованные производителем.
 - Не оставляйте включенный электроприбор без присмотра.
 - Электроприбор следует устанавливать только на устойчивой, ровной, чистой, сухой и нескользкой поверхности.
 - Возможность работы с внешним таймером или отдельной системой дистанционного управления не предусмотрена.
 - Перед первым использованием электроприбора протрите все детали. Подробные сведения см. в разделе «Чистка и уход».
 - Используйте данное устройство только по его прямому назначению, как описано в данном руководстве. Не используйте абразивные материалы или пар для очистки данного электроприбора. Печь предназначена, прежде всего, для разогрева и приготовления пищи.
- Она не предназначена для использования в промышленных или лабораторных условиях.
- Запрещается использовать электроприбор для сушки одежды или кухонных полотенец.
 - Во время работы электроприбор значительно нагревается. Следите за тем, чтобы не касаться горячих деталей внутри печи.
 - Печь не предназначена для сушки животных.
 - Запрещается включать пустую печь.
 - Вследствие передачи тепла от разогреваемой пищи, посуда может также нагреться. Для того чтобы вынуть из печи посуду, могут понадобиться перчатки.
 - Посуду следует проверить на предмет ее пригодности к использованию в микроволновых печах.
 - Не устанавливайте печь на плиты или другие нагревательные приборы. В противном случае, возможно ее повреждение, что влечет за собой аннулирование гарантии.

1 Важные инструкции по технике безопасности и защите окружающей среды

- Запрещается размещать микроволновую печь в шкафу, если он не соответствует требованиям, изложенным в инструкциях по установке.
- При открытии крышек или вскрытии фольги после приготовления пищи оттуда может выходить пар.
- Для извлечения разогретой пищи воспользуйтесь перчатками.
- Электроприбор и его доступные поверхности могут сильно нагреваться в процессе использования.
- Дверца и ее внешнее стекло могут сильно нагреваться в процессе использования печи.
- Неправильно или неквалифицированно выполненные ремонтные работы могут привести к ситуациям, опасным для пользователя.
- Напряжение сети питания должно соответствовать номиналу, указанному на паспортной табличке электроприбора.
- Единственный способ отключения прибора от электросети – извлечение сетевого адаптера из розетки.
- Включайте прибор только в розетку с заземляющим контактом.
- Ни в коем случае не пользуйтесь электроприбором, если шнур питания или электроприбор повреждены.

1.1.1. Электрическая безопасность

- Микроволновая печь Веко соответствует действующим стандартам безопасности. В случае повреждения электроприбора или шнура питания, во избежание опасных ситуаций, ремонт или замена должны производиться дилером, сервисным центром, специалистом или авторизованной службой.
- Не подключайте электроприбор через удлинитель.
- Никогда не прикасайтесь к электроприбору, если у вас мокрые или влажные руки.
- Прибор следует располагать таким образом, чтобы штепсельная вилка была легко доступна.

1 Важные инструкции по технике безопасности и защите окружающей среды

- Во избежание повреждения шнура питания не допускайте его сдавливания, перегиба или контакта с острыми кромками. Не допускайте соприкосновения шнура питания с горячими поверхностями или открытым пламенем.
- Примите необходимые меры, чтобы во время работы прибора нельзя было случайно потянуть за шнур питания или споткнуться об него.
- Отключайте прибор от электросети перед чисткой, а также когда он не используется.
- Не тяните за шнур питания, чтобы отключить прибор от электросети, и никогда не обматывайте его вокруг прибора.
- Не погружайте электроприбор, шнур питания или штепсельную вилку в воду или иную жидкость. Не держите прибор под проточной водой.
- При разогреве пищи в пластиковых или бумажных контейнерах необходимо проверить рабочую частоту печи, так как возможно возгорание упаковочных материалов.
- Перед тем как помещать бумажные или пластиковые пакеты в печь, необходимо убедиться в том, что они пригодны для разогрева в микроволновой печи и извлечь из них проволочные элементы и/или металлические ручки.
- При появлении дыма нужно выключить прибор или вынуть вилку шнура питания из розетки, дверцу не открывать.
- Не используйте печь для хранения каких-либо предметов. Не оставляйте бумагу, продукты или пищу в печи, когда она не используется.
- С целью предотвращения ожогов, содержимое бутылочек для кормления и контейнеров с детским питанием перед употреблением следует перемешать или встряхнуть, а также проверить температуру.

1 Важные инструкции по технике безопасности и защите окружающей среды

- Данный электроприбор относится к оборудованию ISM группы 2, класс В. К группе 2 относится оборудование ISM (промышленное, научное, медицинское), в котором энергия радиоизлучения преднамеренно генерируется и/или используется в виде электромагнитного излучения с целью обработки материала; сюда же относится электроэррозийное оборудование.
- Оборудование класса В пригодно к применению в жилых помещениях и в помещениях, непосредственно подключенных к низковольтной сети электропитания.
- При использовании дверца или внешняя поверхность прибора могут сильно нагреваться.
- При нагреве напитков в микроволновой печи они могут вскипеть и расплескаться после их извлечения из печи; необходимо соблюдать осторожность при обращении с емкостями.
- Печь не предназначена для обжаривания продуктов. Горячее масло может повредить компоненты и материалы печи, а также может стать причиной ожогов кожи.
- Пищевые продукты с толстой кожурой, такие как картофель, цуккини, яблоки и каштаны, перед готовкой следует проколоть.
- Располагать электроприбор следует так, чтобы его задняя сторона была обращена к стене.
- При повреждении дверцы или ее уплотнений печью пользоваться нельзя, пока она не будет отремонтирована квалифицированным специалистом.
- Перед тем как перемещать электроприбор, необходимо закрепить вращающийся стеклянный поднос для предотвращения его повреждения.

1.1.2. Эксплуатационная безопасность изделия

- Не следует разогревать жидкости и другую пищу в плотно закрытых емкостях, так как они могут взорваться.

1 Важные инструкции по технике безопасности и защите окружающей среды

- Не следует использовать микроволновую печь для приготовления или разогрева яиц с целым желтком, как в скорлупе, так и без нее.
- Запрещается снимать с задней и с боковых стенок электроприбора детали, обеспечивающие зазор, необходимый для циркуляции воздуха, между стенками шкафа и электроприбором.

1.2. Назначение изделия

- Микроволновая печь предназначена только для использования во встроеном варианте.
- Используйте электроприбор только по прямому назначению.
- Не используйте прибор в качестве источника тепла.
- Микроволновая печь предназначена для размораживания, приготовления и тушения исключительно пищевых продуктов.
- Не следует переваривать пищу, так как это может стать причиной пожара.
- Не используйте пар для очистки электроприбора.

1.3. Безопасность детей

- Рекомендуется соблюдать предельную осторожность при использовании электроприбора в непосредственной близости от детей и лиц с ограниченными физическими, сенсорными или умственными возможностями.
- Данным электроприбором могут пользоваться дети в возрасте от 8 лет и люди с ограниченными физическими, сенсорными или умственными возможностями, а также люди, не имеющих нужных знаний и опыта, если они находятся под надзором касательно безопасного пользования продукцией, получили соответствующие инструкции или понимают риски пользования прибором. Не позволяйте детям играть с прибором. Чистка и обслуживание не должны выполняться детьми без надзора взрослых.
- Опасность удушья! Храните упаковочные материалы в месте, недоступном для детей.

1 Важные инструкции по технике безопасности и защите окружающей среды

- Детям можно позволять самостоятельно пользоваться печью только после соответствующего инструктажа, чтобы ребенок знал как правильно пользоваться микроволновой печью и понимал, что может случиться при неправильном обращении с прибором.
- Вследствие того, что в режиме «гриль» и в комбинированном режиме печь выделяет много тепла, детям разрешается использовать эти режимы только под надзором взрослых.
- Изделие и его шнур питания должны быть недоступны для детей младше 8 лет.
- Электроприбор и его доступные поверхности могут сильно нагреваться в процессе использования. Не следует подпускать детей близко к прибору.

1.4. Соответствие Директиве WEEE и утилизация отходов



Данный прибор не содержит опасных и запрещенных материалов, указанных в «Положении о надзоре за отходами электрического и электронного оборудования», изданного Министерством по охране окружающей среды и городского планирования.

Соответствует требованиям Директивы ЕС об утилизации электрического и электронного оборудования. Это изделие изготовлено из высококачественных материалов и компонентов, которые пригодны для повторного использования и подлежат вторичной переработке.

В связи с этим не следует утилизировать изделие с обычными бытовыми отходами по истечении срока его эксплуатации. Его следует сдать в пункт сбора отходов электрического и электронного оборудования. За сведениями о местонахождении пунктов сбора обратитесь в местные органы власти. Помогайте защитить окружающую среду и природные ресурсы, обеспечивая переработку изделий, вышедших из употребления.

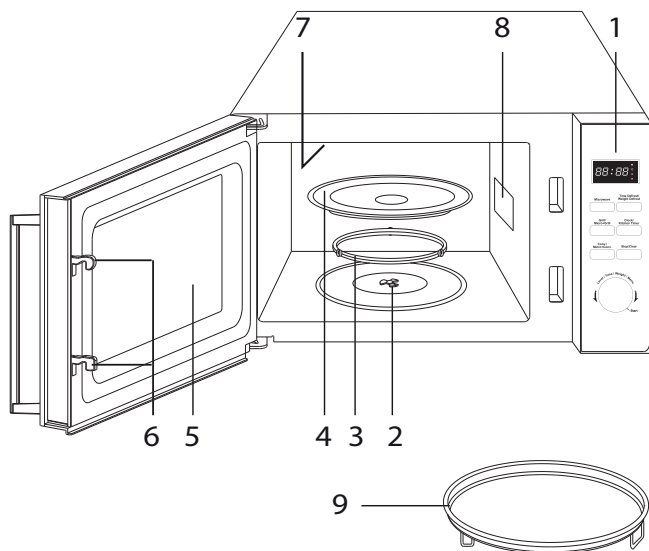
1.5. Информация об упаковке



Упаковка прибора изготовлена из материалов, пригодных для вторичной обработки в соответствии с государственными законами. Не выбрасывайте упаковочные материалы вместе с бытовыми или другими отходами. Отнесите их в пункты приема упаковочных материалов, учрежденные местными органами власти.

2 Votre four à micro-ondes

2.1 Aperçu



1. Panneau de commande
2. Arbre du plateau tournant
3. Support du plateau tournant
4. Plateau en verre
5. Fenêtre du four
6. Dispositif de verrouillage de sécurité de la porte
7. Élément chauffant de grill
8. Guide d'ondes (Ne retirez pas la plaque de mica qui recouvre le guide d'ondes)
9. Plaque de cuisson

Les inscriptions sur le produit ou les valeurs indiquées sur la documentation fournie avec le produit sont des valeurs obtenues dans des conditions de laboratoire conformément aux normes en vigueur. Ces valeurs peuvent varier selon l'utilisation de l'appareil et les conditions ambiantes. Les valeurs d'alimentation électrique sont testées à 230 V.

2 Votre four à micro-ondes

2.2 Données techniques

	MCF25210X	MCF28310X	MCF32410X
Voltage/Fréquence	230-240 V/50 Hz,		
Puissance d'entrée - Micro-ondes	1 400 W		1 500 W
Puissance de sortie - Micro-ondes	900 W		1000 W
Puissance - Gril	1 200 W	1 250 W	
Puissance d'entrée (Convection)	2 250 W	2 300 W	
Fréquence du micro-ondes	2 450 MHz		
Diamètre du plateau tournant	270 mm	315 mm	
Dimensions externe	562 x 560 x 362 mm	608 x 558 x 366 mm	608 x 604 x 366 mm
Dimensions de la cavité du four	340(L)*333(D)*240(H) mm	353(L)*345(D)*245(H) mm	368(L)*384(D)*238(H) mm
Capacité du four	25 L	28 L	32 L
Poids net	16.8 kg	19.8 kg	21.2 kg

3.1 Installation

1. Assurez-vous de retirer tous les matériaux d'emballage sur la partie intérieure de la porte.



AVERTISSEMENT : Vérifiez que le four ne présente aucun dommage, notamment une porte mal alignée ou pliée, des joints de porte et une surface d'étanchéité endommagés, des charnières de porte brisées ou desserrées, des verrous et des bosses à l'intérieur de la cavité ou sur la porte. En cas de dommage, ne faites pas fonctionner le four et contactez un personnel qualifié.

2. Ce four à micro-ondes doit être placé sur une surface plane et stable pour supporter son poids et les aliments les plus lourds susceptibles d'être cuits au four.
3. Ne placez pas le four dans un endroit où la chaleur, l'humidité ou l'humidité élevée sont générées, ou près de matériaux combustibles.
4. Pour un fonctionnement correct, le four doit disposer d'un débit d'air suffisant. Prévoyez au moins 20 cm d'espace libre nécessaire au-dessus de la surface supérieure du four et 5 cm des deux côtés. La plaque arrière du four à micro-ondes doit être placée près du mur. Ne couvrez ou ne bloquez aucun orifice de l'appareil. Ne retirez pas les pieds.
5. Ne faites pas fonctionner le four tant que le plateau en verre, le support de rouleaux et l'axe ne sont pas dans leur position correcte.
6. Assurez-vous que le cordon d'alimentation n'est pas endommagé et qu'il ne passe pas sous le four ou sur une surface chaude ou tranchante.
7. La prise doit être facilement accessible afin de pouvoir aisément débrancher votre appareil en cas d'urgence.

8. N'utilisez pas le four à l'extérieur.

3.2 Interférences radio

Le fonctionnement du four à micro-ondes peut créer des interférences avec la radio, la télévision ou d'autres appareils similaires. En cas d'interférences, il est possible de les réduire ou de les supprimer en prenant les mesures suivantes :

1. Nettoyez la porte et la surface d'étanchéité du four.
2. Réorientez l'antenne de réception de la radio ou de la télévision.
3. Déplacez le four à micro-ondes par rapport au récepteur.
4. Éloignez le four à micro-ondes du récepteur.
5. Branchez le four à micro-ondes sur une autre prise, de sorte que le four et le récepteur se trouvent sur des circuits de dérivation différents.

3.3 Instructions de mise à la terre

Cet appareil doit être branché à une borne de mise à la terre. Ce four est équipé d'un cordon muni d'un câble de masse et d'une fiche de mise à la terre. Branchez la fiche sur une prise correctement installée et mise à la terre. En cas de court-circuit électrique, la mise à la terre réduit le risque de choc électrique en offrant au courant électrique un fil d'évacuation. Il est recommandé de prévoir un circuit séparé desservant uniquement le four. L'utilisation d'une haute tension est dangereuse et peut provoquer un incendie ou tout autre accident causant des dommages au four.



AVERTISSEMENT :
L'utilisation incorrecte de la fiche de mise à la terre peut entraîner un risque de choc électrique.

3 Installation et raccordement



Si vous avez des questions relatives à la mise à la terre ou aux instructions en matière d'électricité, consultez un électricien qualifié ou un personnel de service.



Ni le fabricant ni le revendeur ne peuvent être tenus responsables des dommages au four ou des blessures corporelles résultant du non-respect des procédures de raccordement électrique.

Les fils de ce câble principal sont colorés selon le code suivant :

Vert et jaune = MISE À LA TERRE

Bleu = NEUTRE

Marron = PHASE

3.4 Principes de préparation au micro-ondes

1. Disposez les aliments avec précaution. Placez les zones les plus épaisses vers l'extérieur du plat.
2. Surveillez le temps de cuisson. Faites cuire les aliments pendant le temps le plus court indiqué et prolongez le temps de cuisson au besoin. Les aliments trop cuits peuvent produire de la fumée ou s'enflammer.
3. Couvrez les aliments pendant la cuisson. Les couvercles empêchent les éclaboussures et aident les aliments à cuire uniformément.
4. Lorsque vous cuisinez au micro-ondes, retournez les aliments une fois pour accélérer la cuisson, notamment le poulet et les hamburgers. Les gros aliments comme les rôtis doivent être retournés au moins une fois.
5. Retournez les aliments comme les boulettes de viande une fois à mi-cuisson, du haut vers le bas et du centre du plat vers l'extérieur.

3.5 Avant d'appeler le service après-vente

Si le four ne fonctionne pas :

1. Vérifiez que le four est bien branché. Si ce n'est pas le cas, retirez la fiche de la prise de courant, attendez 10 secondes et rebranchez-la solidement.
2. Vérifiez si un fusible de circuit a sauté ou si un disjoncteur principal s'est déclenché. Si ceux-ci semblent fonctionner correctement, testez la prise en y branchant un autre appareil.
3. Vérifiez que le panneau de commande est programmé correctement et que la minuterie est réglée.
4. Vérifiez que la porte est bien fermée en activant le système de verrouillage de sécurité de la porte. Si vous ne le faites pas, alors le four ne recevra pas l'énergie micro-ondes.

SI AUCUNE DES MESURES CI-DESSUS NE CORRIGE LA SITUATION, CONTACTEZ UN TECHNICIEN QUALIFIÉ. N'ESSEYEZ PAS DE RÉGLER OU DE RÉPARER LE FOUR DE VOUS-MÊME.

3.6 Guide d'ustensiles

1. Les micro-ondes ne peuvent pas pénétrer le métal. Utilisez uniquement les ustensiles qui conviennent pour une utilisation au micro-ondes. Les récipients métalliques pour aliments et boissons sont interdits pendant la cuisson au micro-ondes. Cette exigence ne s'applique pas si le fabricant spécifie la taille et la forme des récipients métalliques qui conviennent pour la cuisson au micro-ondes.
2. Les micro-ondes ne traversent pas le métal, par conséquent n'utilisez pas d'ustensiles métalliques ou des plats avec des bordures métalliques.

3 Installation et raccordement

3. Lorsque vous cuisinez au micro-ondes, n'utilisez pas des papiers recyclés car ils pourraient contenir de petits fragments métalliques pouvant causer des étincelles ou un incendie.
4. Il est recommandé d'utiliser des plats ronds ou ovales plutôt que des plats carrés ou allongés, car les aliments dans les coins ont tendance à trop cuire.
5. Vous pouvez utiliser des bandes étroites de papier d'aluminium pour éviter que les zones exposées ne cuisent trop. Mais faites attention à ne pas trop en utiliser et gardez une distance de 1 pouce (2,54 cm) entre le papier d'aluminium et la cavité.

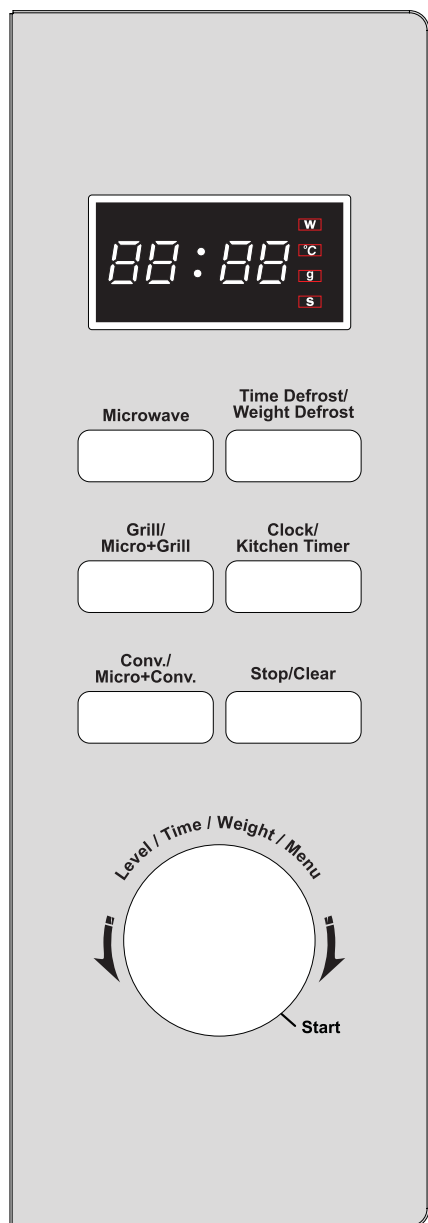
La liste ci-dessous est un guide général pour vous aider à choisir les bons ustensiles.

Ustensiles de cuisine	Micro-ondes	Gril	Chaleur tournante	Cuisson combinée*
Verre thermorésistant	Oui	Oui	Oui	Oui
Verre non thermorésistant	Non	Non	Non	Non
Céramiques thermorésistantes	Oui	Oui	Oui	Oui
Plat en plastique sûr pour le micro-ondes	Oui	Non	Non	Non
Essuie-tout	Oui	Non	Non	Non
Plateau métallique	Non	Oui	Oui	Non
Plaque de cuisson	Non	Oui	Oui	Non
Récipient en aluminium et papier d'aluminium	Non	Oui	Oui	Non

* Combinaison : applicable pour la cuisson « micro + gril » et « micro + convection ».

4 Fonctionnement

4.1 Panneau de commande



4.2 Écran d'action du menu

- Le temps de cuisson, l'alimentation, les indicateurs d'action et l'heure sont affichés.

« Micro-ondes »

- Appuyez sur cette touche pour régler le programme de cuisson au micro-ondes.

« Horloge/Minuterie de cuisine »

- Appuyez sur cette touche pour régler l'heure.
- Appuyer sur cette touche pour définir la fonction de minuterie de cuisine.

Conv/Micro + Conv.

- Appuyez sur cette touche pour programmer la cuisson par convection.
- Appuyez sur cette touche pour sélectionner l'un des quatre réglages de cuisson combinés.

« Gril/Micro + Gril »

- Appuyez sur cette touche pour régler le programme du gril.
- Appuyez sur cette touche pour sélectionner l'un des deux réglages de cuisson combinés.

« Arrêter/Annuler »

- Appuyez sur cette touche pour annuler le réglage ou réinitialiser le four avant de régler un programme de cuisson.
- Appuyez une fois pour arrêter temporairement la cuisson, ou deux fois pour annuler complètement la cuisson.

Bouton « Niveau/Heure/Poids/ Menu »

- Tournez le bouton pour entrer le temps de cuisson.
- Tournez le bouton pour sélectionner un menu de cuisson automatique.
- Tournez le bouton pour sélectionner le niveau de puissance de cuisson au micro-ondes.
- Tournez le bouton pour régler la température de cuisson par convection.

4 Fonctionnement

Bouton « Démarrer »

- Appuyez une fois sur cette touche pour lancer un programme de cuisson.
- Il suffit d'appuyer plusieurs fois pour régler le temps de cuisson et faire cuire immédiatement les aliments à pleine puissance

Décongélation en fonction du temps/Décongélation en fonction du poids

- Appuyez une fois sur cette touche pour régler le programme de décongélation en fonction de l'heure entrée.
- Appuyez deux fois sur cette touche pour régler le programme de décongélation en fonction du poids entré.

4.3 Comment régler les commandes du four

- Lorsque vous branchez le four pour la première fois, un signal sonore retentit et l'afficheur indique « 1:01 ».
- Pendant la cuisson, si vous appuyez une fois sur la touche « Arrêter/Annuler », le programme marque un arrêt, puis vous appuyez sur la touche « Démarrer » pour reprendre, mais si vous appuyez deux fois sur la touche « Arrêter/Annuler », le programme est annulé.
- À la fin de la cuisson, le système émet un bip sonore toutes les deux minutes pour le rappeler à l'utilisateur jusqu'à ce qu'il appuie sur la touche « Arrêter/Annuler » ou ouvre la porte.
- Le système de contrôle électronique du four à micro-ondes est doté d'une fonction de refroidissement. Comme pour tout mode de cuisson dont le temps de cuisson est supérieur à 2 minutes, si vous ouvrez la porte du four ou si le programme de cuisson marque un arrêt, le ventilateur du four fonctionnera environ 3 minutes automatiquement pour le refroidir afin de prolonger sa durée de vie.

4.4 Réglage de l'heure

L'horloge peut avoir le format 12 ou 24 heures. Vous pouvez sélectionner votre format en appuyant sur la touche Horloge / Cuisson.

PAR EXEMPLE : Supposons que vous vouliez régler l'heure du four à 8 h 30.

1. Appuyez sur le bouton « Horloge/ Minuterie de cuisine » et maintenez-le enfoncé pendant 3 secondes pour sélectionner le cycle d'horloge de 12 heures (si vous voulez choisir l'horloge de 24 heures, appuyez à nouveau sur la touche).
2. Tournez le bouton Niveau/Heure/Poids/Menu pour régler le chiffre des heures sur 8.
3. Appuyez une fois sur le bouton « Horloge/ Minuterie de cuisine » pour confirmer le réglage de l'heure.
4. Tournez le bouton Niveau/Heure/Poids/Menu pour régler le chiffre des minutes sur 30.
5. Appuyez une fois sur le bouton « Horloge/ Minuterie de cuisine » pour confirmer le réglage.



Pour vérifier l'heure pendant le fonctionnement du four, appuyez sur le bouton « Horloge/Minuterie de cuisine », alors l'heure actuelle s'affiche pendant un certain temps à l'écran d'affichage.

4.5 Démarrage rapide

Lorsque vous lancez le démarrage rapide d'un programme de cuisson, le four cuit rapidement les aliments à puissance ÉLEVÉE (100 % de la puissance de sortie).

Appuyez simplement sur le bouton « Démarrer » un certain nombre de fois pour régler un temps de cuisson, le four démarre automatiquement à pleine puissance. Le temps de cuisson maximum que vous pouvez entrer est de 10 minutes.

4 Fonctionnement

4.6 Cuisson au four à micro-ondes

Pour la cuisson « Micro-ondes », le niveau de puissance de cuisson et le temps de cuisson peuvent être réglés. Le temps de cuisson maximum est de 95 minutes.

Supposons par exemple que vous souhaitez cuisiner pendant 10 minutes à une puissance « Micro-ondes » de 450 W.

1. Appuyez une fois sur la touche « Micro-ondes », puis tournez le bouton « Niveau/Heure/Poids/Menu » pour sélectionner le niveau de puissance de cuisson.
2. Appuyez sur « Démarrer » pour confirmer.
3. Tournez le bouton « Niveau/Heure/Poids/Menu » pour régler le temps de cuisson.
4. Appuyez sur « Démarrer ».



Il existe 11 niveaux de puissance de cuisson (P100, P-90, P-80, P-70, P-60, P-50, P-40, P-30, P-20, P-10, P-10, P-00) que vous pouvez choisir en tournant le cadran « Niveau/Heure/Poids/Menu ».

Pendant la cuisson, vous pouvez vérifier le niveau de puissance en appuyant sur la touche « Micro-ondes ».

4.7 Décongélation en fonction du poids

Le four permet à l'utilisateur de décongeler les aliments en fonction du poids entré. Le temps de décongélation et le niveau de puissance sont automatiquement réglés une fois que la catégorie d'aliments et le poids sont programmés. Le poids des aliments congelés varie entre 100 g et 1 800 g.

1. En mode Veille, appuyez deux fois sur la touche Décongélation en fonction du temps / Décongélation en fonction du poids.

2. Tournez le cadran « Niveau/Heure/Poids/Menu » pour sélectionner le poids des aliments à décongeler.
3. Appuyez sur « Démarrer » pour confirmer.



Pendant la décongélation, le four s'arrête pour permettre à l'utilisateur de retourner les aliments pour une décongélation uniforme, celui-ci doit ensuite appuyer sur « Démarrer » pour lancer le temps de décongélation restant.

Le four ne fonctionnera pas bien si vous entrez un poids supérieur au poids maximum recommandé.

4.8 Décongélation en fonction du temps

Le four permet à l'utilisateur de décongeler les aliments en fonction du temps entré.

1. En mode Veille, appuyez une fois sur la touche Décongélation en fonction du temps / Décongélation en fonction du poids.
2. Tournez le cadran « Niveau/Heure/Poids/Menu » pour entrer le temps de décongélation.
3. Appuyez sur « Démarrer » pour confirmer.



Pendant la décongélation, le four s'arrête pour permettre à l'utilisateur de retourner les aliments pour une décongélation uniforme, celui-ci doit ensuite appuyer sur « Démarrer » pour lancer le temps de décongélation restant.

4.9 Gril

Le four permet à l'utilisateur de griller les aliments en fonction du poids entré. Le temps de cuisson maximum est de 95 minutes.

4 Fonctionnement

1. Appuyez une fois sur le bouton « Gril/Micro+Gril ».
2. Appuyez sur « Démarrer » pour confirmer.
3. Tournez le cadran « Niveau/Heure/Poids/Menu » pour entrer le temps de cuisson.
4. Appuyez sur « Démarrer ».

4.10 Micro + Gril

Le temps de cuisson maximum est de 95 minutes. Cette fonction vous permet de combiner la cuisson au gril et au micro-ondes sur deux réglages différents.

4.10.1 Combinaison de cuisson 1

30 % du temps pour la cuisson au « Micro-ondes », 70 % pour la cuisson au gril. Utilisez cette combinaison pour le poisson, les pommes de terre ou le gratin.

Supposons que vous vouliez régler la combinaison de cuisson 1 à 25 minutes.

1. Appuyez deux fois sur la touche « Gril/Micro+Gril » et tournez le cadran « Niveau/Heure/Poids/Menu » jusqu'à ce que l'écran indique « Gr2 ».
2. Appuyez sur « Démarrer » pour confirmer.
3. Tournez le cadran « Niveau/Heure/Poids/Menu » pour entrer le temps de cuisson.
4. Appuyez sur le bouton « Démarrer ».

4.10.2 Combinaison de cuisson 2

55 % du temps pour la cuisson au « Micro-ondes », 45 % pour la cuisson au gril. Utilisez cette combinaison pour le pouding, les omelettes, les pommes de terre au four et la volaille.

Supposons que vous vouliez régler la combinaison de cuisson 2 pendant 12 minutes.

1. Appuyez deux fois sur la touche « Gril/Micro+Gril » et tournez le cadran « Niveau/Heure/Poids/Menu » jusqu'à ce que l'écran indique « Gr3 ».

2. Appuyez sur « Démarrer » pour confirmer.
3. Tournez le cadran « Niveau/Heure/Poids/Menu » pour entrer le temps de cuisson.
4. Appuyez sur le bouton « Démarrer ».

4.11 Convection

Pendant la cuisson par convection, de l'air chaud circule dans toute la cavité du four pour brunir et préparer des aliments croustillants rapidement et uniformément. Ce four peut être programmé pour dix températures de cuisson différentes. Le temps de cuisson maximum que l'utilisateur peut régler est de 95 minutes.

Pour cuisiner par convection

Pour cuisiner par convection, appuyez une fois sur la touche « Conv/Micro+Conv. », puis tournez le cadran « Niveau/Heure/Poids/Menu » dans le sens horaire pour entrer la température de convection souhaitée (110 °C, 120 °C, 130 °C, 140 °C, 150 °C, 160 °C, 170 °C, 180 °C, 190 °C, 200 °C).

Supposons que vous vouliez effectuer une cuisson à 180 °C pendant 40 minutes.

1. Lorsque le four est en mode Veille, placez-y les aliments et fermez-le.
2. Appuyez une fois sur la touche « Conv/Micro+Conv. », puis tournez le cadran « Niveau/Heure/Poids/Menu » dans le sens horaire pour entrer la température de convection 180 °C.
3. Appuyez sur « Démarrer » pour confirmer.
4. Tournez le bouton « Niveau/Heure/Poids/Menu » pour entrer le temps de cuisson (le temps le plus long est de 95 minutes).
5. Appuyez sur le bouton « Démarrer ».



Vous pouvez vérifier la température de convection pendant la cuisson en appuyant sur la touche « Conv/Micro+Conv. ».

4 Fonctionnement

Pour préchauffer et faire la cuisine par convection

Votre four peut être programmé pour combiner les opérations de préchauffage et de cuisson par convection.

Supposons que vous voulez préchauffer à 170 °C et effectuer une cuisson pendant 35 minutes.

1. Lorsque le four est en mode Veille, placez-y les aliments et fermez-le.
2. Appuyez une fois sur la touche « Conv/Micro+Conv. », puis tournez le cadran « Niveau/Heure/Poids/Menu » dans le sens horaire pour entrer la température de convection 170 °C.
3. Appuyez sur la touche « Démarrer » pour confirmer et appuyez à nouveau sur cette touche.
4. Lorsque le four atteint la température désignée, il émet un « bip » toutes les 5 secondes pour le rappeler à l'utilisateur.
5. Ouvrez la porte et placez le récipient des aliments au centre du plateau tournant.
6. Tournez le bouton « Niveau/Heure/Poids/Menu » pour régler le temps de cuisson.
7. Appuyez sur le bouton « Démarrer ».



Le temps de préchauffage le plus long est de 30 minutes et il ne peut pas être réglé. Lorsque la température de préchauffage est atteinte, le four émet un bip toutes les 5 secondes, si aucune opération n'est effectuée dans les 30 minutes, le programme se termine automatiquement.

4.12 Micro + convection

Ce four est doté de quatre réglages préprogrammés qui facilitent automatiquement la cuisson par convection et au « Micro-ondes ». Le temps de cuisson maximum que l'utilisateur peut régler est de 95 minutes.

Appuyez deux fois sur le bouton « Conv/Micro+Conv. », puis tournez le cadran « Niveau/Heure/Poids/Menu » pour programmer la température de convection (200 °C→170 °C→140 °C→110 °C).

1. Lorsque le four est en mode Veille, placez-y les aliments et fermez-le.
2. Appuyez deux fois sur le bouton « Conv/Micro+Conv. »
3. Tournez le cadran « Niveau/Heure/Poids/Menu » pour indiquer la température de convection.
4. Appuyez sur « Démarrer » pour confirmer.
5. Tournez le bouton « Niveau/Heure/Poids/Menu » pour régler le temps de cuisson.
6. Appuyez sur le bouton « Démarrer ».



Pendant la cuisson, vous pouvez vérifier la température de convection en appuyant sur le bouton « Conv/Micro+Conv. ».

4.13 Réglage de la minuterie de cuisine

vous pouvez régler la minuterie du four pour vous souvenir du temps de cuisson. La durée maximale que vous pouvez régler est de 95 minutes.

Supposons que vous voulez régler la minuterie de la cuisine sur 30 minutes :

1. Appuyez une fois sur le bouton « Horloge/Minuterie de cuisine ».
2. Tournez le bouton numérique « Niveau/Heure/Poids/Menu » pour régler 30:00.
3. Appuyez sur « Démarrer » pour confirmer.



Lorsque la minuterie démarre, vous pouvez appuyer sur « Horloge/ Minuterie de cuisine » pour voir le temps de la minuterie pendant 5 secondes et appuyez sur « Arrêter/Annuler » dans les 5 secondes pour l'annuler.

4.14 Sécurité enfants

Utilisez cette fonction pour empêcher les petits enfants de faire fonctionner le four sans surveillance. L'indicateur de SÉCURITÉ ENFANTS s'affiche à l'écran d'affichage et il est alors impossible d'utiliser le four pendant que vous réglez la fonction SÉCURITÉ ENFANTS.

Pour régler la SÉCURITÉ ENFANTS :

Lorsque le four est en mode Veille et ne fonctionne pas pendant une minute, il passe automatiquement en mode Sécurité enfants et tous les boutons deviennent inactifs.

Pour annuler la SÉCURITÉ ENFANTS :

En mode Sécurité enfants, l'ouverture ou la fermeture de la porte du four peut annuler le programme.

4.15 Protection

4.15.1 Protection contre la surchauffe

Lorsque le système passe en mode Protection contre les températures très élevées, l'afficheur numérique affiche « E01 » et continue d'émettre des bips jusqu'au dépannage, il suffit d'appuyer sur la touche « Arrêter/Annuler » pour que le système revienne en mode Veille normal.

4.15.2 Protection contre les basses températures

Lorsque le système se met en mode Protection contre les températures très basses, l'afficheur numérique affiche « E02 » et continue d'émettre des bips jusqu'à ce que vous appuyiez sur la touche « Arrêter/Annuler », le système revient en mode Veille normal.

4.15.3 Protection contre les dysfonctionnements du capteur

Le système passe en mode Protection lorsque le capteur subit un court-circuit. L'écran affiche « E03 » et continue d'émettre un bip jusqu'à ce que vous appuyiez sur « Arrêter/Annuler », le système revient alors en mode Veille normal.

4.16 Cuisson automatique

Pour la cuisson des aliments suivants, vous n'avez pas besoin d'entrer la puissance et le temps de cuisson. Essayez de vous concentrer sur le fait d'indiquer au four ce que vous voulez cuisiner et quel est le poids des aliments. Le four se met en marche une fois que vous appuyez sur la touche « Démarrer ».

Par exemple :

1. En mode Veille, tournez le cadran « Niveau/Heure/Poids/Menu » dans le sens antihoraire pour sélectionner le code des aliments
2. Appuyez une fois sur la touche « Démarrer ».
3. Tournez le cadran « Niveau/Heure/Poids/Menu » pour sélectionner le poids souhaité.
4. Appuyez sur le bouton « Démarrer ».

4 Fonctionnement

Menu Cuisson automatique

Code	Aliments	
A-1	Lait / Café (200 ml/tasse)	REMARQUES : 1. Pour le lait/café et les pommes de terre, l'écran affiche le nombre de portions au lieu du poids des aliments. 2. Pour le point A-7, le four s'arrête pour permettre à l'utilisateur de retourner les aliments pour une décongélation uniforme, celui-ci doit ensuite appuyer sur « Démarrer » pour terminer le temps restant. 3. Le résultat de la cuisson automatique dépend des facteurs tels que les fluctuations de tension, la forme et la taille des aliments, votre préférence personnelle quant à la cuisson de certains aliments et même la façon dont vous placez les aliments dans le four. Si vous trouvez que le résultat n'est pas tout à fait satisfaisant, veuillez régler un peu le temps de cuisson en conséquence.
A-2	Popcorn (99 g)	
A-3	Spaghetti (g)	
A-4	Pomme de terre (230 g/ unité)	
A-5	Réchauffage automatique (g)	
A-6	Poisson (g)	
A-7	Poulet (g)	
A-8	Pizza (g)	
A-9	Gâteau (475 g)	

5.1 Nettoyage et entretien

1. Éteignez le four et débranchez la fiche d'alimentation de la prise murale avant le nettoyage.
2. Maintenez l'intérieur du four propre. Lorsque des éclaboussures d'aliments ou des liquides renversés se déposent sur les parois du four, essuyez-les à l'aide d'un chiffon humide. Utilisez un détergent doux si le four est très sale. Évitez l'utilisation d'aérosol et d'autres nettoyeurs abrasifs, car ils peuvent tacher, rayer ou ternir la surface de la porte.
3. Nettoyez les surfaces extérieures avec un chiffon humide. Pour éviter d'endommager les pièces fonctionnelles à l'intérieur du four, ne laissez pas l'eau s'infiltrer par les orifices de ventilation.
4. Essuyez régulièrement les deux côtés de la porte et de la fenêtre, les joints d'étanchéité de la porte et les pièces adjacentes avec un chiffon humide pour nettoyer tout déversement ou toute éclaboussure. N'utilisez pas de nettoyeurs abrasifs.
5. Utilisez un nettoyeur à la vapeur.
6. Ne laissez pas le panneau de commande se mouiller. Nettoyez avec un chiffon humide et doux. Lorsque vous nettoyez le panneau de commande, laissez la porte du four ouverte pour éviter que le four ne s'allume accidentellement.
7. Si de la vapeur s'accumule à l'intérieur ou autour de la porte du four, essuyez-la à l'aide d'un chiffon doux. Cela se produit lorsque le four à micro-ondes fonctionne dans des conditions d'extrême humidité. Ce phénomène est normal.
8. Il est parfois nécessaire de retirer le plateau en verre pour le nettoyer. Lavez le plateau dans de l'eau tiède savonneuse ou au lave-vaisselle.
9. Nettoyez régulièrement l'anneau de rouleau et le plancher du four pour éviter des bruits excessifs. Essuyez simplement la surface inférieure du four à l'aide d'un détergent doux. Vous pouvez laver l'anneau de rouleau dans de l'eau tiède savonneuse ou au lave-vaisselle. Lorsque vous retirez l'anneau de rouleau du fond de la cavité pour le nettoyer, veillez à le replacer dans la bonne position.
10. Pour éliminer les odeurs de votre four, mélangez une tasse d'eau avec le jus et le zeste d'un citron dans un bol profond utilisable au micro-ondes et placez le bol dans le four pendant 5 minutes. Nettoyez soigneusement et séchez ensuite en vous servant d'un chiffon doux.
11. Lorsqu'il est nécessaire de remplacer la lampe du four, veuillez consulter un vendeur pour la faire remplacer.
12. Le four doit être régulièrement nettoyé et tous les dépôts d'aliments doivent être retirés. Tout défaut de conservation du four dans un état propre peut entraîner la détérioration de sa surface, ce qui en retour pourrait affecter la durée de vie de l'appareil et éventuellement des situations dangereuses.
13. Ne jetez pas cet appareil avec les ordures ménagères ; il doit être mis au rebut dans le centre de collecte prévu à cet effet par les autorités municipales.
14. Lorsque vous utilisez le four à micro-ondes avec fonction gril pour la première fois, il peut produire de légères fumées et odeur. Ce phénomène est normal, car le four comporte une plaque d'acier recouverte d'huile de lubrification, et lorsqu'il est neuf, il produit des fumées et des odeurs générées par la combustion de l'huile de lubrification. Ce phénomène disparaît après une période d'utilisation.

5.2 Rangement

- Si vous ne comptez pas utiliser votre appareil pendant un certain temps, veuillez le ranger soigneusement.
- Veuillez également à ce que l'appareil soit débranché, complètement refroidi et entièrement sec.
- Conservez l'appareil dans un endroit frais et sec.
- Tenez l'appareil hors de la portée des enfants.

5.3 Manipulation et transport

- Pendant la manipulation et le transport, portez toujours l'appareil dans son emballage d'origine. L'emballage de l'appareil le protège des dommages physiques.
- Ne placez pas de charges lourdes sur l'appareil ou sur l'emballage. Cela pourrait l'endommager.
- Toute chute de l'appareil peut le rendre non opérationnel ou l'endommager de façon permanente.

6 Устранение неполадок

Нормальное	
Микроволновая печь создает помехи приему телевизионных программ	При работе микроволновой печи возможно создание помех для приема радио- и телевизионных программ. Помехи аналогичны помехам, возникающим при использовании малых электроприборов, таких как миксер, пылесос и электроventильатор. Это нормально.
Освещение печи тусклое.	При готовке на малой мощности микроволнового излучения освещение печи может быть тусклым. Это нормально.
На дверцах аккумулируется конденсат, из вентиляционных отверстий выходит горячий воздух.	В процессе готовки пищи возможно выделение пара. Большая часть пара отводится через вентиляционные отверстия. Некоторое количество пара оседает в виде конденсата на холодных поверхностях, например, на дверце печи. Это нормально.
Печь была случайно включена пустой.	Не следует включать электроприбор, если внутрь него не помещена пища. Это опасно.

Неисправность	Возможная причина	Способ устранения
Не получается включить печь.	1) Шнур питания не подключен надлежащим образом.	Отключите шнур от сети. Включите его снова через 10 секунд.
	2) Сгорела плавкая вставка или сработал автоматический выключатель.	Замените плавкую вставку или отключите автоматический выключатель (ремонт должен выполняться квалифицированным персоналом нашего сервисного центра).
	3) Проблема с розеткой.	Проверьте исправность розетки, включив в нее любой другой электроприбор.
Печь не греется.	4) Плохо закрыта дверца.	Закройте дверцу надлежащим образом.
При работе микроволновой печи вращающийся стеклянный поднос издает шум	5) Вращающийся стеклянный поднос и днище печи загрязнены.	Очистите грязные компоненты, см. раздел «Чистка и обслуживание».

عادي	
قد يتأثر استقبال أجهزة التلفاز والراديو عند تشغيل فرن المايكروويف. ذلك الأمر مشابه للتداخل الذي تتسبب فيه الأجهزة الكهربائية الصغيرة مثل الخلاط، أو المكنسة الكهربائية، أو المروحة الكهربائية. هذا الأمر طبيعي.	يتداخل فرن المايكروويف مع أجهزة استقبال التلفاز.
عند الطهي بالمايكروويف بطاقة منخفضة، قد ينخفض ضوء الفرن. هذا الأمر طبيعي.	انخفاض ضوء الفرن
أثناء الطهي، قد ينشأ البخار من الطعام. سيخرج معظم هذا البخار من الفتحات. ولكن قد يتراكم بعضه على مكان بارد مثل باب الفرن. هذا الأمر طبيعي.	تراكم البخار على الباب، خروج هواء ساخن من الفتحات.
من غير المسموح تشغيل الجهاز بدون طعام بداخله. الأمر خطير للغاية.	بدء عمل الفرن على نحو غير عمدي مع عدم وجود طعام به.

المشكلة	السبب المحتمل	الحل
لا يمكن تشغيل الفرن.	(1) كابل الطاقة غير متصل على نحو صحيح.	انزع القابس. ثم قم بتوصيل القابس مرة أخرى بعد 10 ثوان.
	(2) المنصهر قد انقطع أو تم تفعيل قاطع الدائرة.	عليك استبدال المنصهر أو تشغيل قاطع الدائرة (يتم الإصلاح من خلال أفراد الخدمة المؤهلين من شركتنا).
	(3) مشكلة مع المنفذ.	عليك اختبار المنفذ باستخدام أجهزة كهربائية أخرى.
الفرن لا يسخن.	(4) لا يغلق الباب على النحو المناسب.	أغلق الباب على النحو المناسب.
القرص الدوار الزجاجي يصدر ضوضاء عند تشغيل فرن المايكروويف.	(5) عند اتساخ القرص الدوار وأسفل الفرن.	عليك الرجوع إلى قسم "التنظيف والصيانة" لتنظيف الأجزاء المتسخة.

5.1 التنظيف والعناية

10. يمكنك إزالة الروائح من الفرن الخاص بك بوضع عصارة وقشرة ليمونة على كوب من الماء وسكبه في تجويف فرن المايكروويف وتشغيل الفرن لمدة خمس دقائق. عليك مسحه تماماً وتجفيفه بقطعة قماش ناعمة.
11. عندما تكمن الحاجة إلى استبدال مصباح الفرن، يرجى استشارة البائع لاستبداله.
12. يجب تنظيف الفرن بانتظام مع إزالة أي بقايا أطعمة. أي تهاون في المحافظة على نظافة الفرن يمكن أن يؤدي إلى تلويث السطح، الأمر الذي يمكن أن يؤثر في العمر الافتراضي للجهاز وهو ما يمكن أن ينتج عنه مواقف خطيرة.

13. يُرجى عدم التخلص من هذا الجهاز في سلة النفايات المحلية العادية؛ حيث ينبغي التخلص منه بنقله إلى مركز خاص لمثل هذه الأجهزة توفره البلديات.
14. عند استخدام فرن المايكروويف المزود بالشواية لأول مرة، فقد يصدر بعض الدخان والرائحة. وهذه ظاهرة طبيعية لأن الفرن مصنوع من لوح صلب مغطى بزيت التشحيم، وسيصدر الفرن الجديد أبخرة وروائح ناتجة عن حرق زيت التشحيم. ستختفي هذه الظاهرة بعد فترة من الاستخدام.

5.2 التخزين

- إذا لم تخطط لاستخدام الجهاز لفترة طويلة من الوقت، يرجى تخزينه بعناية.
- يرجى التأكد من نزع قابس الجهاز، وتركه ليبرد ويجف تماماً.
- عليك تخزين الجهاز في مكان بارد وجاف.
- حافظ على الجهاز بعيداً عن متناول أيدي الأطفال.

5.3 التعامل والنقل

- أثناء التعامل والنقل فقم بحمل الجهاز في عبوتها الأصلية. الهدف من عبوة تغليف الجهاز هو حمايته من أي أضرار مادية.
- لا تضع أحمالاً ثقيلة على الجهاز أو العبوة. يمكن أن يتعرض الجهاز للتلف.
- يؤدي إسقاط الجهاز إلى عدم صلاحيته للتشغيل أو يتسبب في إلحاق أضرار دائمة.

1. قم بإيقاف تشغيل الفرن وافصل قابس التيار الكهربائي من مقبس الحائط قبل التنظيف.

2. عليك الحفاظ على داخل الفرن نظيفاً. عند التصاق الطعام المتناثر أو السوائل المسكوبة على جدران الفرن، فامسح ذلك باستخدام قطعة قماش رطبة. ويمكن استخدام منظف معتدل في حالة توسخ الفرن للغاية. ويحظر استخدام مواد الرش أو مواد التنظيف الخشنة حيث إنها قد تؤدي إلى تلطيخ أو تخطيط باب الفرن أو التسبب في جعل الباب باهتاً.

3. ينبغي تنظيف الأسطح الخارجية باستخدام قطعة قماش مبللة. لمنع تلف أجزاء التشغيل الموجودة داخل الفرن، يُحظر تسرب المياه إلى فتحات التهوية.

4. قم بتنظيف الباب والنافذة على جانبيهما وموانع تسرب الباب والأجزاء القريبة بشكل متكرر باستخدام قطعة قماش مبللة لإزالة الأطعمة أو المشروبات المنسكبة أو المتناثرة. لا تستخدم مواد التنظيف التي تسبب خدوش.

5. يحظر استخدام منظف يُصدر بخار.

6. لا تجعل لوحة التحكم مبللة. امسحها بقطعة قماش مبللة ناعمة. عند تنظيف لوحة التحكم، اترك باب الفرن مفتوحاً لمنع تشغيل الفرن من غير قصد.

7. في حالة تراكم البخار داخل أو على باب الفرن الخارجي، فقم بتجفيفه باستخدام قطعة قماش ناعمة. وقد يحدث ذلك عند تشغيل فرن المايكروويف في البيئات عالية الرطوبة. وهذا أمر طبيعي.

8. قد يكون من الضروري أحياناً إزالة الصينية الزجاجية لتنظيفها. اغسل الصينية بماء دافئ أو في غسالة الأواني.

9. ينبغي تنظيف حلقة الأسطوانة وسطح الفرن بشكل دوري لتجنب الضجيج الزائد. امسح السطح السفلي للفرن باستخدام محلول تنظيف معتدل. ويمكن غسل حلقة الأسطوانة باستخدام ماء معتدل أو في غسالة الأواني. وعند إزالة حلقة الأسطوانة من أرضية التجويف لتنظيفها، تأكد من استرجاعها في المكان المناسب.

4.15.3 الحماية من أعطال المستشعر

يدخل النظام في وضع الحماية عندما يحدث قصر في دائرة مستشعر النظام. يظهر «E03» على الشاشة وتستمر في إصدار صوت صفير إلى أن تضغط على "Stop/Clear" (توقف/تنظيف)، عندها يعود النظام إلى وضع الاستعداد الطبيعي.

4.16 الطهي الآلي

بالنسبة للأطعمة التالية أو عملية الطهي، فأنت لست في حاجة إلى إدخال طاقة الطهي ووقته. حاول أن تركز على إخبار الفرن بما تريد طهيه وكم يزن هذا الطعام. يبدأ الفرن في العمل بعدما تضغط على "Start" (البدء).

مثال:

1. في وضع الانتظار، أدر مؤشر "Level/Time/Weight/Menu" (المستوى/الوقت/الوزن/القائمة) في اتجاه عكس عقارب الساعة لتحديد رمز الطعام

2. اضغط على "Start" (البدء) مرة واحدة.

3. أدر مؤشر "Level/Time/Weight/Menu" (المستوى/الوقت/الوزن/القائمة) لتحديد وزن الطعام المطلوب.

4. اضغط على زر "Start" (البدء).

قائمة الطهي الآلي

الرمز	الطعام	ملاحظات:
A-1	الحليب/القهوة (200 مل/كوب)	1. بالنسبة للحليب/القهوة والبطاطا، ستعرض الشاشة رقم الإعداد بدلاً من وزن الطعام.
A-2	الفشار (99 جم)	2. يتوقف الفرن عن العمل أثناء عملية إزالة التجميد ليتيح للمستخدم تدوير الطعام لتوحيد إزالة التجميد عنه ثم اضغط على «Start» (البدء) الوقت المتبقي.
A-3	معكرونة سباغيتي (جم)	3. تعتمد نتيجة الطهي الآلي على عوامل مثل تذبذب الجهد، وشكل الطعام وحجمه، وتفضيلك الشخصي لتقديم أطعمة معينة وحتى مدى جودة وضعك للطعام في الفرن. إذا لم تكن النتيجة مرضية تماماً، فيرجى ضبط وقت الطهي قليلاً بناءً على ذلك.
A-4	البطاطس (230 جم/وحدة)	
A-5	إعادة التسخين التلقائي (جم)	
A-6	الأسماك (جم)	
A-7	الدجاج (جم)	
A-8	البيتزا (جم)	
A-9	الكعك (475 جم)	

3. اضغط على "Start" (البداية) للتأكيد.

حين يبدأ المؤقت بالعد، يمكنك الضغط على "Clock/Kitchen Timer" (الساعة/مؤقت المطبخ) لرؤية وقت المؤقت لمدة 5 ثوان، واضغط على "Stop/Clear" (توقف/تنظيف) خلال 5 ثوان لإلغائه.



4.14 قفل الأطفال

استخدمه لمنع إجراء عمليات للفرن بدون رقابة على أيدي أطفال صغار. سيظهر مؤشر قفل الأطفال على شاشة العرض، ويتعذر تشغيل الفرن في حال تعيين قفل الأطفال.

لتعيين وضع قفل الأطفال: في وضع الاستعداد، وفي حال عدم حدوث أي عملية خلال دقيقة واحدة، سيقوم الفرن بالإدخال التلقائي لوضع قفل الأطفال وتصير جميع الأزرار معطلة.

لإلغاء وضع قفل الأطفال: في وضع قفل الأطفال، قد يؤدي فتح أو إغلاق باب الفرن إلى إلغاء البرنامج.

4.15 الحماية

4.15.1 الحماية من السخونة المفرطة

عندما يدخل النظام في حالة الحماية من درجة الحرارة العالية جداً، تعرض الشاشة الرقمية «E01» وتستمر في إصدار صوت صفير إلى أن يتم استكشاف المشكلة وإصلاحها، ثم اضغط على لوحة "Stop/Clear" (توقف/تنظيف)، وعندها سيعود النظام إلى وضع الاستعداد الطبيعي.

4.15.2 الحماية من درجة الحرارة المنخفضة

عندما يدخل النظام في حالة الحماية من درجة الحرارة المنخفضة جداً، تعرض الشاشة الرقمية «E02» وتستمر في إصدار صوت صفير إلى أن تضغط على لوحة "Stop/Clear" (توقف/تنظيف)، وعندها سيعود النظام إلى وضع الاستعداد.

4.12 المايكروويف + الحمل الحراري

يحتوي هذا الفرن على إعدادات مبرمجة مسبقاً تسهل عملية الطهي باستخدام كلاً من حرارة الحمل الحراري و"Microwave" (المايكروويف) تلقائياً. أقصى وقت للطهي يمكن للمستخدم ضبطه هو 95 دقيقة.

اضغط على الزر "Conv/

Micro+Conv" (الحمل الحراري/المايكرو+الحمل الحراري) مرتين ثم أدر المؤشر "Level/Time/Weight/Menu" (المستوى/الوقت/الوزن/القائمة) لبرمجة درجة حرارة الحمل الحراري (200C|170C|140C|110C).

1. في وضع الانتظار، ضع الطعام في الفرن واغلقه.

2. اضغط على زر «الحمل الحراري/المايكروويف+الحمل الحراري» مرتين

3. أدر مؤشر "Level/Time/Weight/Menu" (المستوى/الوقت/الوزن/القائمة) للإشارة إلى درجة حرارة الحمل الحراري.

4. اضغط على "Start" (البداية) للتأكيد.

5. أدر مقبض "Level/Time/Weight/Menu" (المستوى/الوقت/الوزن/القائمة) لإدخال وقت الطهي.

6. اضغط على زر "Start" (البداية).

وأثناء الطهي، يمكنك التحقق من درجة حرارة الحمل الحراري أثناء استمرار عملية الطهي عن طريق لمس زر «الحمل الحراري/المايكروويف+الحمل الحراري».



4.13 ضبط مؤقت المطبخ

يمكنك ضبط مؤقت الفرن لتذكيرك بوقت الطهي. بحيث يكون أطول وقت يمكنك ضبطه هو 95 دقيقة.

لنفترض أنك تريد ضبط مؤقت المطبخ على 30 دقيقة:

1. اضغط على زر "Clock/Kitchen Timer" (الساعة/مؤقت المطبخ) مرة واحدة.

2. أدر المقبض الرقمي "Level/Time/Weight/Menu" (المستوى/الوقت/الوزن/القائمة) لضبطه على 30:00.

3. اضغط على "Start" (البداية) للتأكيد.

يتوقف الفرن عن العمل أثناء عملية إزالة التجميد ليتيح للمستخدم تدوير الطعام لتوحيد إزالة التجميد عنه ثم اضغط على "Start" (البداية) لإزالة التجميد في الوقت المتبقي.



4.9 الشواية

يتيح لك الفرن بشواء الطعام بناءً على الوقت الذي حدده المستخدم. أقصى وقت للطهي هو 95 دقيقة.

1. اضغط على «زر الشواية/الميكروويف+الشواية» مرة واحدة.

2. اضغط على "Start" (البداية) للتأكيد.

3. أدر مؤشر "Level/Time/Weight/Menu" (المستوى/الوقت/الوزن/القائمة) لإدخال وقت الطهي.

4. اضغط على "Start" (البداية).

4.10 الميكروويف + الشواية

أقصى وقت للطهي هو 95 دقيقة. تتيح لك هذا الميزة بالجمع بين الطهي بالشواية و "Microwave" (الميكروويف) بالضغط على إعدادين مختلفين.

4.10.1 الخليط 1

30% من الوقت للطهي "Microwave" (بالميكروويف)، و 70% للطهي بالشواية. يستخدم لطهي السمك أو البطاطس أو الغراتان.

نفترض أنك تريد ضبط الخليط 1 للطهي لمدة 25 دقيقة.

1. اضغط على الزر "Grill/Micro+Grill" (الشواية/الميكروويف+الشواية) مرتين ثم أدر مؤشر "Level/Time/Weight/Menu" (المستوى/الوقت/الوزن/القائمة) حتى يظهر على الشاشة «Gr2».

2. اضغط على "Start" (البداية) للتأكيد.

3. أدر مؤشر "Level/Time/Weight/Menu" (المستوى/الوقت/الوزن/القائمة) لإدخال وقت الطهي.

4. اضغط على زر "Start" (البداية).

يوجد 11 نوع لمستوى طاقة الطهي (P100 و P-90 و P-80 و P-70 و P-60 و P-50 و P-40 و P-30 و P-20 و P-10 و P-00) يمكنك الاختيار من بينها عن طريق إدارة مؤشر "Level/Time/Weight/Menu" (المستوى/الوقت/الوزن/القائمة).



وأثناء الطهي، يمكنك التحقق من مستوى الطاقة من خلال لمس لوحة "Microwave" (الميكروويف).

4.7 إزالة التجميد حسب الوزن

يتيح لك الفرن بإزالة التجميد عن الطعام بناءً على الوزن الذي أدخله المستخدم. يتم تعيين وقت ومستوى طاقة إزالة التجميد تلقائيًا بمجرد برمجة فئة الطعام ووزنه. يتراوح وزن الطعام المجمد بين 100 جم و 1800 جم.

1. في وضع الانتظار، اضغط على لوحة إزالة التجميد حسب الوقت/إزالة التجميد حسب الوزن مرتين.

2. أدر مؤشر "Level/Time/Weight/Menu" (المستوى/الوقت/الوزن/القائمة) لتحديد وزن الطعام الذي سيزال عنه التجميد.

3. اضغط على "Start" (البداية) للتأكيد.

يتوقف الفرن عن العمل أثناء عملية إزالة التجميد ليتيح للمستخدم تدوير الطعام لتوحيد إزالة التجميد عنه ثم اضغط على "Start" (البداية) لإزالة التجميد في الوقت المتبقي.



لن يطهو الفرن جيدًا إذا أدخلت وزنًا يزيد عن الحد الموصى به.

4.8 إزالة التجميد حسب المدة

يتيح لك الفرن بإزالة التجميد عن الطعام بناءً على الوقت الذي حدده المستخدم.

1. في وضع الانتظار، اضغط على لوحة «إزالة التجميد/إزالة التجميد حسب الوزن» مرة واحدة.

2. أدر مؤشر "Level/Time/Weight/Menu" (المستوى/الوقت/الوزن/القائمة) لإدخال وقت عملية إزالة التجميد.

2.4.10 الخليط 2

3. اضغط على "Start" (البداية) للتأكيد.
4. أدر المقيض "Level/Time/Weight/Menu" (المستوى/الوقت/الوزن/القائمة) لإدخال وقت الطهي (أطول وقت هو 95 دقيقة).
5. اضغط على زر "Start" (البداية).

يمكنك التحقق من درجة حرارة الحمل الحراري أثناء استمرار عملية الطهي عن طريق لمس اللوحة «الحمل الحراري/ المايكروويف+الحمل الحراري».



وللتسخين المسبق والتهيء باستخدام الحمل الحراري

- يمكن برمجة الفرن ليجمع بين عمليات التسخين المسبق والتهيء بالحمل الحراري.
- لنفترض أنك تريد التسخين المسبق عند درجة حرارة 170 درجة مئوية ثم الطهي لمدة 35 دقيقة.
1. في وضع الانتظار، ضع الطعام في الفرن واغلقه.

2. اضغط على لوحة "Conv/Micro+Conv" (الحمل الحراري/المايكروويف+الحمل الحراري) مرة واحدة، ثم أدر مؤشر "Level/Time/Weight/Menu" (المستوى/الوقت/الوزن/القائمة) في اتجاه عقارب الساعة لإدخال درجة حرارة الحمل الحراري 170 درجة مئوية.

3. اضغط على "Start" (البداية) للتأكيد واضغط على اللوحة "Start" (البداية) مجدداً.
4. عندما يصل الفرن إلى درجة الحرارة المصممة له، فإنه يصدر «صفيراً» كل 5 ثوانٍ لتذكير المستخدم.
5. افتح الباب وضع إناء الطعام في وسط القرص الدوار.
6. أدر مقيض "Level/Time/Weight/Menu" (المستوى/الوقت/الوزن/القائمة) لإدخال وقت الطهي.
7. اضغط على زر "Start" (البداية).

أطول وقت للتسخين المسبق هو 30 دقيقة، وعندها يتعدى ضبط الوقت للتسخين المسبق. وعندما يصل الفرن إلى درجة حرارة التسخين المسبق، سيصدر أصوات صفير كل 5 ثوانٍ، وإذا لم تجرى أي عملية خلال 30 دقيقة، فسيتوقف البرنامج تلقائياً.



55% من الوقت لتهيء "Microwave" (المايكروويف)، و45% لتهيء الشواية. يستخدم لعمل البوندج، وعجة البيض، والبطاطا المشوية، والدجاج.

لنفترض أنك تريد ضبط الخليط 2 للتهيء لمدة 12 دقيقة.

1. اضغط على الزر "Grill/Micro+Grill" (الشواية/ المايكروويف+الشواية) مرتين ثم أدر مؤشر "Level/Time/Weight/Menu" (المستوى/الوقت/الوزن/ القائمة) حتى يظهر على الشاشة «Gr3».

2. اضغط على "Start" (البداية) للتأكيد.

3. أدر مؤشر "Level/Time/Weight/Menu" (المستوى/الوقت/الوزن/القائمة) لإدخال وقت الطهي.

4. اضغط على زر "Start" (البداية).

4.11 الحَمَل الحراري

أثناء الطهي في الحمل الحراري، يوزع الهواء الساخن في كافة أنحاء تجويف الفرن لتحميص وإعداد الطعام المحمر سريعاً وبصورة متساوية. يمكن برمجة الفرن على عشر درجات حرارة مختلفة للطهي. أقصى وقت للطهي يمكن للمستخدم ضبطه هو 95 دقيقة.

للتهيء باستخدام الحمل الحراري

للتهيء باستخدام الحمل الحراري، اضغط على لوحة "Conv/Micro+Conv" (الحمل الحراري/ المايكروويف+الحمل الحراري) مرة واحدة، ثم أدر مؤشر "Level/Time/Weight/Menu" (المستوى/الوقت/الوزن/القائمة) في اتجاه عقارب الساعة لإدخال درجة الحرارة المطلوبة للحمل الحراري (110°C, 120°C, 130°C, 140°C, 150°C, 160°C, 170°C, 180°C, 190°C, 200°C).

لنفترض أنك تريد الطهي بدرجة حرارة 180 درجة مئوية لمدة 40 دقيقة.

1. في وضع الانتظار، ضع الطعام في الفرن واغلقه.

2. اضغط على لوحة "Conv/Micro+Conv" (الحمل الحراري/المايكروويف+الحمل الحراري) مرة واحدة، ثم أدر مؤشر "Level/Time/Weight/Menu" (المستوى/الوقت/الوزن/القائمة) في اتجاه عقارب الساعة لإدخال درجة حرارة الحمل الحراري 180 درجة مئوية.

4. أدر مقبض "Level/Time/Weight/Menu" (المستوى/الوقت/الوزن/القائمة) لضبط الدقائق عند الرقم 30.

5. اضغط على الزر "Clock/Kitchen Timer" (الساعة/مؤقت المطبخ) مرة واحدة لتأكيد الإعداد.

للتحقق من الوقت أثناء تشغيل الفرن، اضغط على الزر "Clock/Kitchen Timer" (الساعة/مؤقت المطبخ)، ثم يظهر الوقت الحالي لبعض الوقت على شاشة العرض.



4.5 البدء السريع

سيطهو الفرن الطعام سريعاً عند أعلى طاقة له (100%) لخرج الطاقة للبدء السريع لبرنامج الطهي.

فقط اضغط على مقبض "Start" (البدء) لعدد من الأوقات لطبط وقت الطهي، وسيبدأ الفرن بالعمل تلقائياً عند أعلى طاقة له. أقصى وقت للطهي يمكن إدخاله هو 10 دقائق.

4.6 الطهي في المايكروويف

بالنسبة إلى الطهي في "Microwave" (المايكروويف)، يمكن ضبط مستوى طاقة الطهي ووقت الطهي. أقصى وقت للطهي هو 95 دقيقة.

فعلي سبيل المثال، لنفترض أنك تريد الطهي لمدة 10 دقائق بطاقة "Microwave" (مايكروويف) تبلغ 450 واط.

1. اضغط على زر "Microwave" (مايكروويف) مرة واحدة ثم أدر مؤشر "Level/Time/Weight/Menu" (المستوى/الوقت/الوزن/القائمة) لاختيار مستوى طاقة الطهي.

2. اضغط على "Start" (البدء) للتأكيد.

3. أدر مقبض "Level/Time/Weight/Menu" (المستوى/الوقت/الوزن/القائمة) لضبط وقت الطهي.

4. اضغط على "Start" (البدء).

"Time Defrost/Weight Defrost"

(إزالة التجميد حسب الوقت/إزالة التجميد حسب الوزن)

• اضغط مرة واحدة لضبط برنامج إزالة التجميد بناءً على الوقت المحدد.

• اضغط مرتين لضبط برنامج إزالة التجميد بناءً على الوزن المحدد.

4.3 كيفية ضبط أدوات التحكم بالفرن

• عند توصيل الفرن لأول مرة بمصدر الطاقة، سيصدر صوت صفير ويظهر على الشاشة «1:01».

• أثناء الطهي، إذا قمت بالضغط على اللوحة "Stop/Clear" (توقف/تنظيف) مرة واحدة، فسيتوقف البرنامج مؤقتاً، ثم اضغط على لوحة "Start" (البدء) للاستئناف، ولكن إذا قمت بالضغط على لوحة "Stop/Clear" (توقف/تنظيف) مرتين، فسيتم إلغاء البرنامج.

• وبعد انتهاء الطهي، سيصدر النظام أصوات صفير لتذكير المستخدم كل دقيقتين إلى أن يضغط المستخدم على لوحة "Stop/Clear" (توقف/تنظيف) أو يفتح باب الفرن.

• يحتوي نظام التحكم الإلكتروني لفرن المايكروويف على ميزة التبريد. في حالة أي وضع للطهي يزيد فيه وقت الطهي عن دقيقتين، افتح باب الفرن، أو توقف فيه برنامج الطهي مؤقتاً، فستعمل مروحة الفرن لحوالي 3 دقائق تلقائياً لتبريد الفرن لإطالة عمره.

4.4 ضبط الساعة

إما 12 أو 24 ساعة. يمكنك الاختيار عن طريق لمس لوحة الساعة/المطبخ.

مثال: لنفترض أنك تريد ضبط ساعة الفرن على 8:30.

1. فاضغط باستمرار على الزر "Clock/Kitchen Timer" (الساعة/مؤقت المطبخ) لثلاث ثوانٍ لتحديد دورة الساعة 12 ساعة (ولو أردت اختيار 24 ساعة، فاضغط على اللوحة مجدداً).

2. أدر مقبض المستوى/الوقت/الوزن/القائمة لضبط الساعة عند الرقم 8.

3. اضغط على الزر "Clock/Kitchen Timer" (الساعة/مؤقت المطبخ) مرة واحدة لتأكيد إعداد الساعة.

4.2 شاشة قائمة الإجراءات

4.1 لوحة التحكم

• تعرض مدة الطهي والطاقة ومؤشرات الإجراءات والساعة.

"Microwave" (الميكروويف)

• اضغط على هذا الزر لضبط برنامج الطهي للميكروويف.

"Clock/Kitchen Timer"

(الساعة/مؤقت المطبخ)

• اضغط لضبط الوقت.
• اضغط لضبط وظيفة مؤقت المطبخ.

"Conv./Micro + Conv." (الحمل الحراري/

الميكروويف+الحمل الحراري) اضغط لبرمجة الطهي بالحمل الحراري.

• اضغط لتحديد واحدًا من أربعة إعدادات الطهي المختلط.

"Grill/Micro+Grill"

(الشواية/الميكروويف+الشواية)

• اضغط لضبط برنامج الشواية.
• اضغط لتحديد واحدًا من اثنين من إعدادات الطهي المختلط.

"Stop/Clear" (توقف/تنظيف)

• اضغط لإلغاء الإعداد أو لإعادة ضبط الفرن قبل إعداد برنامج الطهي.
• اضغط مرة واحدة لإيقاف الطهي مؤقتًا، أو مرتين لإلغاء الطهي تمامًا.

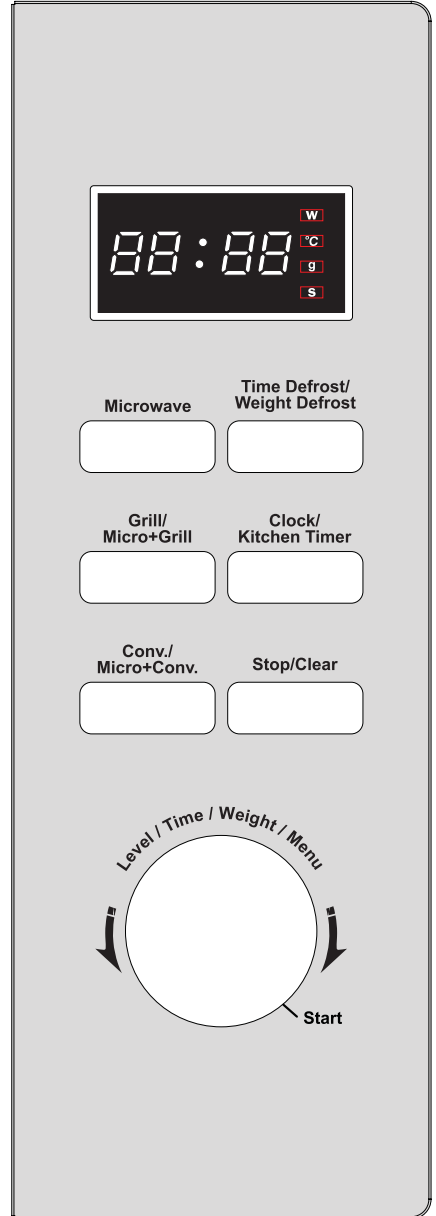
"Level/Time/Weight/Menu" (Knob)

(مقبض) المستوى/الوقت/الوزن/القائمة)

• أدر المقبض لإدخال وقت الطهي.
• أدر المقبض لتحديد قائمة الطهي التلقائي.
• أدر المقبض لتحديد مستوى طاقة الطهي للميكروويف.
• أدر المقبض لضبط درجة حرارة الطهي في الحمل الحراري.

"Start" (The knob) (مقبض) "Start" (البدء)

• اضغط مرة واحدة لبدء برنامج الطهي.
• اضغط قليلاً عليه وسيظهر عدد من الأوقات لضبط وقت الطهي، والطهي مباشرةً بأعلى مستوى للطاقة.



3.4 مبادئ الطهي بالميكروويف

3.6 دليل الأواني

1. أعد الطعام بحذر. ضع المناطق الأكثر سمكًا بالقرب من الجزء الخارجي للتطبيق.
 2. تابع زمن الطهي. قم بالطهي في المدة الزمنية القصيرة المشار إليها وأضف المزيد من الوقت عند الحاجة. قد يؤدي الطهي الزائد للطعام بشكل مبالغ فيه إلى ظهور دخان أو الاشتعال.
 3. قم بتغطية الطعام أثناء الطهي. حيث تمنع الأغذية تتأثر السوائل وتساعد على طهي الطعام بصورة متساوية.
 4. أدر أطباق الطعام مرة واحدة أثناء وضعها بالميكروويف للإسراع من عملية الطهي لمثل هذه الأطعمة كالدجاج والهامبورجر. يجب تدوير العناصر الكبيرة مثل قطع اللحم المستخدمة في الشواء مرة واحدة على الأقل.
 5. أعد ترتيب الأطعمة مثل كرات اللحم أثناء الطهي في منتصف الوقت كل من أعلى إلى أسفل ومن منتصف الطبق إلى الجزء الخارجي.
1. لا يمكن للميكروويف اختراق المعادن. استخدم فقط الأواني الملائمة للاستخدام في أفران الميكروويف. لا يسمح باستخدام الأواني المعدنية المخصصة للطعام أو المشروبات أثناء الطهي في الميكروويف. لا يطبق هذا الشرط إذا حددت الشركة المصنعة حجم وشكل الأواني المعدنية المناسبة للطهي بالميكروويف.
 2. لا يمكن للميكروويف اختراق المعادن ومن ثم يُحظر استخدام الأواني أو الأطباق المعدنية ذات الحلي المعدنية.
 3. لا تستخدم المنتجات الورقية المعد تدويرها عند الطهي في الميكروويف، نظرًا لاحتمال احتوائها على شظايا معدنية صغيرة والتي قد تتسبب في حدوث شرارات و/أو اندلاع حرائق.
 4. يوصى باستخدام الأطباق الدائرية / البيضاوية بدلاً من الأطباق المربعة / المستطيلة نظرًا لأنه يتم طهو الطعام الموجود في الزوايا بشكل أكبر.

3.5 قبل طلب الحصول على خدمة الصيانة

1. يمكن استخدام رقائق الألومنيوم الرقيقة لمنع الطهو الزائد للأجزاء المعرضة. لكن توخي الحذر ولا تستخدم كمية رقائق ألومنيوم كبيرة واترك مسافة 1 بوصة (2.54 سم) بين رقائق الألومنيوم وتجفيف الفرن.
- إذا تعذر تشغيل الفرن:
1. تحقق من توصيل الفرن بإحكام. إذا لم يكن الأمر كذلك، فقم بفصل القابس من مأخذ التيار الكهربائي وانتظر عشرة ثوانٍ ثم قم بتوصيله مرة أخرى بإحكام.
 2. تحقق لمعرفة ما إذا كان هناك مصهر دائرة كهربائية محروق أو قاطع دائرة رئيسي ساقط. إذا كانت هذه الأجزاء تبدو أنها تعمل، فاختر المنفذ مع جهاز آخر.
 3. تحقق من برمجة لوحة التحكم بشكل صحيح وضبط الموقت.
 4. تحقق من إغلاق الباب بإحكام مما يؤدي إلى تشغيل نظام القفل الخاص بسلامة الباب. وإلا، لن تتدفق طاقة الميكروويف إلى الفرن.
- إذا لم تؤدي الإجراءات المذكورة أعلاه إلى تصحيح الوضع، فاتصل بفني مؤهل. تجنب محاولة ضبط أو إصلاح الفرن بنفسك.

تُعد القائمة أدناه دليلاً عامًا للمساعدة في اختيار الأواني المناسبة.

أواني الطهي	المايكروويف	الشواية	الحمل الحراري	الخليط*
الزجاج المقاوم للحرارة	نعم	نعم	نعم	نعم
الزجاج غير المقاوم للحرارة	لا	لا	لا	لا
السيراميك المقاوم للحرارة	نعم	نعم	نعم	نعم
طبق بلاستيك آمن للاستخدام في المايكروويف	نعم	لا	لا	لا
ورق المطبخ	نعم	لا	لا	لا
الصينية المعدنية	لا	نعم	نعم	لا
صينية الخبز	لا	نعم	نعم	لا
رقائق الألومنيوم وحاويات الرقائق	لا	نعم	نعم	لا

* الخليط: يمكن تطبيقه على الطهي في كل من «المايكروويف+الشواية» و «المايكروويف+الحمل الحراري».

3.1 التركيب

3. تغيير موضع فرن المايكروويف مع وضع في الاعتبار الاستقبال الخاص بالراديو أو التلفاز.
4. حرك فرن المايكروويف بعيدًا عن المستقبل.
5. قم بتوصيل فرن المايكروويف في مأخذ تيار كهرباء مختلف بحيث يكون فرن المايكروويف والمستقبل على دوائر كهربائية فرعية مختلفة.

1. تأكد من إزالة جميع مواد التعبئة من الجزء الداخلي للباب.

تحذير: تحقق لمعرفة ما إذا تعرض الفرن لأي ضرر، مثل اعوجاج أو عدم استقامة الباب أو تلف موانع تسرب الباب أو السطح المانع للتسرب أو كسر أو فك مفصلات ومزليج الباب أو وجود انبعاجات داخل التجويف أو على الباب. في حالة وجود أي تلف، فلا تقم بتشغيل الفرن واتصل بطاقم الخدمة المؤهل.



3.3 تعليمات التأريض

يجب أن يتم توصيل هذا الجهاز بطرف أرضي. وقد تم تزويد هذا الفرن بسلك يحتوي على سلك تأريض وقابس تأريض. كما يجب توصيله بمقبس التيار الكهربائي بالحائط والذي يتم تثبيته وتأريضه بشكل صحيح. وفي حالة حدوث دوائر قصيرة كهربائية، يساعد التأريض على تقليل خطر الصدمة الكهربائية بتوفير سلك إفلات للتيار الكهربائي. كما يوصى بتوفير دائرة كهربائية مستقلة مخصصة للفرن فقط. ويعتبر استخدام جهد مرتفع أمر خطير وربما يؤدي إلى اندلاع حريق أو حادث آخر قد يؤدي إلى تلف الفرن.

2. يجب وضع فرن المايكروويف على سطح مستو وثابت لتحمل وزنه والأطعمة الثقيلة التي من المحتمل أن يتم طهيها في الفرن.

3. لا تضع الفرن بالقرب من مصدر حرارة أو بخار أو رطوبة عالية أو بالقرب من المواد القابلة للاشتعال.

4. للحصول على عملية تشغيل صحيحة، يجب تعرض الفرن إلى تدفق هواء كافٍ. اترك مسافة فارغة حوالي 20 سم فوق الفرن و5 سم على جانبيه. يجب وضع اللوحة الخلفية لفرن المايكروويف بالقرب من الحائط. لا تقم بتغطية أو سد أية فتحات موجودة على الجهاز. لا تقم بإزالة الأقدام.

5. لا تقم بتشغيل الفرن بدون وجود الصينية الزجاجية ودعامة الأسطوانة والعمود في أماكنهم الصحيحة.

6. تأكد من عدم تلف سلك التيار الكهربائي أو مروره تحت الفرن أو على سطح ساخن أو حاد.

7. يجب أن يكون مقبس التيار الكهربائي في مكان يمكن الوصول إليه بسهولة بحيث يمكن فصله بسهولة في حالات الطوارئ.

8. لا تستخدم الفرن في الهواء الطلق.

3.2 تداخلات الراديو

قد يؤدي تشغيل فرن المايكروويف إلى تداخل مع الراديو أو التلفاز أو الأجهزة المماثلة. وعند حدوث تداخل، فيمكن تقليله أو التخلص منه باتباع الإجراءات التالية:

1. تنظيف باب الفرن والسطح المانع للتسرب الخاص به.
2. إعادة توجيه هوائي الاستقبال الخاص بالراديو أو التلفاز.

تحذير: قد يؤدي الاستخدام غير المناسب لقاطب التأريض إلى حدوث صدمة كهربائية.



إذا كان لديك أية أسئلة حول التأريض والإرشادات الكهربائية، فاستشر فني كهرباء مؤهل أو فني صيانة.



لا تتحمل الجهة المصنعة ولا التاجر أية مسؤولية تجاه تلف الفرن أو تعرض الأشخاص لإصابات خطيرة ناتجة عن الإخفاق في اتباع إجراءات التوصيل الكهربائي.



تعتبر الأسلاك الموجودة في كابل التيار الكهربائي ملونة وفقاً للرموز التالية:

أخضر وأصفر = أرضي

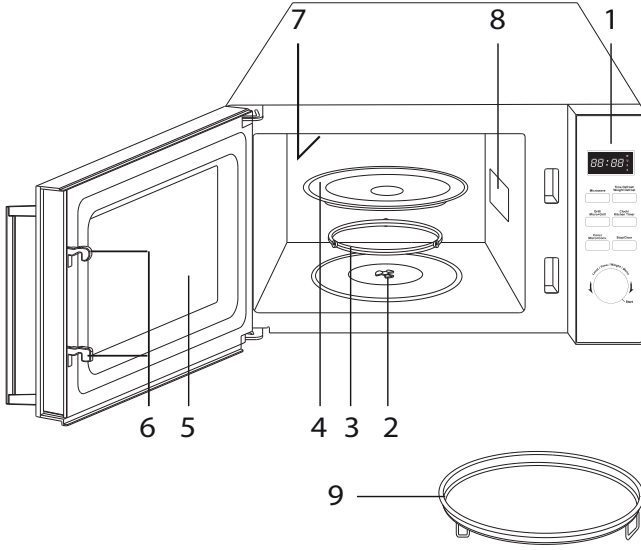
أزرق = محايد

بني = مكهرب

2.2 البيانات الفنية

MCF32410X	MCF28310X	MCF25210X	
230-240 فولط/50 هرتز،			الجهد / التردد
1500 واط	1400 واط		دخل الطاقة - المايكروويف
1000 واط	900 واط		خرج الطاقة - المايكروويف
1250 واط	1200 واط		الطاقة - الشواية
2300 واط	2250 واط		طاقة الإدخال (الحمل الحراري)
2450 ميغاهرتز			تردد المايكروويف
315 مم	270 مم		قطر القرص الدوار
366*604*608 مم	366*558*608 مم	362*560*562 مم	الأبعاد الخارجية
238 (الارتفاع) × 384 (العرض) × 368 (العمق) مم	245 (الارتفاع) × 345 (العرض) × 353 (العمق) مم	240 (الارتفاع) × 333 (العرض) × 340 (العمق) مم	أبعاد تجويف الفرن
32 لتر	28 لتر	25 لتر	سعة الفرن
21.2 كجم	19.8 كجم	16.8 كجم	صافي الوزن

2.1 نظرة عامة



1. لوحة التحكم
2. عمود القرص الدوار
3. دعامة القرص الدوار
4. الصينية الزجاجية
5. نافذة الفرن
6. نظام قفل الباب للسلامة
7. سخان الشواية
8. موجة الموجات (يرجى عدم إزالة لوحة الميكا التي تغطي موجة الموجات)
9. صينية الخبز

دقة: اتصلنا تاذ ريباعملا أفقر تجلمعه فورظي في اهيلعل وصلحا مد ميقه يه زاهجلا عم بمدقلملا عوبطملا تادنتسملا يه فمحصوملا ميقلا وأ زاهجلا لىء تاملاملا بتلوف ٢٣٠ دهجدا اهرابتخا مد بمقاطلا ميقه. بمطبعملا فورظلاو زاهجلا مادختسلا اتفوق ميقلا مده فالتخت.

- **تحذير:** لا تسمح للأطفال باستخدام الفرن بدون مراقبة إذا ما تم إصدار تعليمات مناسبة بالشكل الذي يسمح للطفل باستخدام فرن المايكروويف بطريقة آمنة وفهم مخاطر الاستخدام غير المناسب.

1.4 متوافق مع تشريعات WEEE وتشريعات التخلص من المنتجات الفاسدة.

هذا المنتج لا يشمل مواد مؤذية أو محظورة من تلك المشار إليها في "تشريعات الإشراف على النفايات الكهربائية والأجهزة الإلكترونية" المصدرة من وزارة البيئة والتخطيط العمراني. متوافق مع توجيهات WEEE. تم تصنيع الجهاز من أجزاء ومواد عالية الجودة يمكن إعادة استخدامها وهي مناسبة لإعادة التدوير. ولذلك، لا تتخلص من المنتج في النفايات المنزلية العادية مع انتهاء فترة خدمته. بل عليك أخذه إلى نقطة التجميع لإعادة تدوير الأجهزة الكهربائية والإلكترونية. اسأل السلطات المحلية في منطقتك عن نقاط التجميع. ساعد على حماية البيئة والموارد الطبيعية بإعادة تدوير المنتجات المستخدمة.



1.5 معلومات التعبئة

صنعت مواد تعبئة المنتج من مواد قابلة لإعادة التدوير وفقاً للقوانين الوطنية. لا تتخلص من أجزاء التعبئة مع النفايات المنزلية أو غيرها من النفايات. خذها إلى نقاط تجميع مواد التعبئة المخصصة من خلال السلطات المحلية.



- **تحذير:** إذا تلف الباب أو قفل الباب، لا يجب تشغيل الفرن حتى يقوم بإصلاحه شخص مؤهل.
- **تحذير:** من الخطر على أي إنسان غير ذلك الكفاء أن يقوم بتنفيذ أية مهمة صيانة أو إصلاح تتضمن خلع الغطاء الموفر للحماية من التعرض لطاقة المايكروويف.
- **تحذير:** السوائل والأغذية الأخرى لا يجب أن يتم تسخينها في حاويات مبرشمة، حيث إنها تكون عرضة للانفجار.
- يجب تنظيف الفرن بانتظام مع إزالة أي بقايا أطعمة.
- يتعين أن تكون هناك مسافة 20 سم فراغ أعلى سطح الفرن.
- لا تستخدم الجهاز لغرض بخلاف الغرض المُعد من أجله.
- لا تستخدم الجهاز كمصدر للحرارة.
- فرن المايكروويف مُعد لفك التجميد، أو الطهي، أو تسوية الطعام فقط.
- لا تطهو الأطعمة طهيًا زائدًا؛ وإلا قد تتسبب في حدوث حريق.
- لا تستخدم المنظفات بالبخار لتنظيف الجهاز.
- يمكن استخدام هذا الجهاز من خلال الأطفال الذين هم بعمر 8 أو أكبر ومن خلال الأشخاص الذين لديهم إعاقة بدنية، أو حسية، أو ذهنية، أو الذين ليس لديهم خبرة أو معرفة طالما أنهم يخضعوا لرقابة فيما يتعلق بسلامة استخدام المنتج أو يتم توجيههم وفقاً لذلك أو يفهمون مخاطر استخدام المنتج. لا يجوز للأطفال اللعب بالجهاز. لا يجوز القيام بعمليات الصيانة والتنظيف من خلال الأطفال ما لم يكونوا خاضعين لرقابة البالغين.
- خطر الاختناق! حافظ على جميع مواد التعبئة بعيداً عن الأطفال.
- لا تسمح للأطفال باستخدام الفرن بدون مراقبة إذا ما تم إصدار تعليمات مناسبة بالشكل الذي يسمح للطفل باستخدام فرن المايكروويف بطريقة آمنة وفهم مخاطر الاستخدام غير المناسب.
- بسبب الحرارة الزائدة التي تنشأ في أوضاع الشواية و الوضع المزدوج، لا يتم السماح للأطفال باستخدام هذه الأوضاع سوى تحت رقابة البالغين.
- عليك الاحتفاظ بالمنتج وكابل الطاقة بحيث لا يُمكن للأطفال بعمر أدنى من 8 سنوات الوصول إليهم.
- أثناء ما يكون الجهاز قيد الاستخدام، قد تكون الأسطح الظاهرة ساخنة جداً. عليك إبعاد الأطفال.
- ليس الغرض من هذا المنتج استخدامه من قبل الأشخاص (بما يشمل الأطفال) ذوي القدرات البدنية، أو الحسية، أو الذهنية المنخفضة، أو الذين يفتقرون للخبرة والمعرفة. إلا إذا تمت مراقبتهم أو إعطاء التعليمات لهم فيما يختص باستخدام المنتج من قبل شخص مسئول عن سلامتهم.
- ينبغي مراقبة الأطفال الصغار للتأكد من عدم لعبهم بالمنتج.

1.3 سلامة الأطفال

- يوصى بتوخي الحذر البالغ عند استخدام الجهاز بالقرب من الأطفال أو الأفراد ذوي الإعاقة البدنية، أو الحسية، أو الذهنية.

1.1.2 سلامة المنتج

- لا تسحب كابل طاقة الجهاز لفصله عن مزود الطاقة، ولا تقم بلف كابل الطاقة حول الجهاز أبداً.
- لا تغمر الجهاز أو كابل الطاقة أو قابس الطاقة في المياه أو في أي سوائل أخرى. لا تحمل الجهاز تحت المياه الجارية.
- عند تسخين الطعام في حاويات بلاستيكية أو ورقية، عليك تفقد الفرن بشكل متكرر بسبب احتمالية الاشتعال.
- عليك إزالة سلاسل الأسلاك و/أو المقابض المعدنية للأكياس الورقية أو البلاستيكية قبل وضع الأكياس المناسبة للاستخدام في فرن المايكروويف في الفرن.
- إذا لاحظت وجود أبخرة فاطفي الجهاز أو افصله واحتفظ بالباب مغلقاً للتخلص من أي لهب.
- لا تستخدم داخل الفرن لتخزين أي شيء. لا تترك عناصر ورقية، أو مواد طهي، أو أطعمة بداخل الفرن عند عدم استخدامه.
- يجب رج محتويات زجاجات الرضاعة وبرطمانات أغذية الأطفال أو هزها ويجب فحص درجة الحرارة قبل الاستهلاك، وذلك لتجنب الحروق.

• هذا الجهاز من المجموعة 2 الفئة B ISM.

1.2 الاستخدام المرغوب

- تحتوي المجموعة 2 على جميع معدات ISM (الصناعية، والعلمية، والطبية) والتي تبث طاقة ترددات راديو و/أو تستخدم في صورة إشعاع إلكترومغناطيسي لمعالجة المواد، أو آلات إصدار الشرارة.
- الآلات من الفئة B مُعدة للاستخدام في المرافق المنزلية والمرافق المتصلة بشكل مباشر مع شبكة مزود الطاقة منخفضة الجهد.
- قد يصبح الباب أو السطح الخارجي ساخناً للغاية عند الاستخدام.
- أي تهاون في المحافظة على نظافة الفرن يمكن أن يؤدي إلى تلوث السطح، الأمر الذي يمكن أن يؤثر على العمر الافتراضي للجهاز وهو ما يمكن أن ينتج عنه مواقف خطيرة.
- تنظيف جوانب الباب والأجزاء ذات الصلة: استخدم ماء صابوني ساخناً. نظف الجهاز بقفاز الغسل الذي لا يخدش. لا تستخدم مكشطة زجاجية أو معدنية للتنظيف.

1.1.1 السلامة الكهربائية

- فقط على النحو المحدد في هذا الدليل. لا تستخدم الكيماويات الكاشطة أو البخار على هذا الجهاز. هذا الفرن مُعد خصيصاً لتسخين وطهي الطعام. هو غير مُعد للاستخدامات الصناعية أو المعملية.
- لا تستخدم جهازك لتجفيف الملابس أو أواني المطبخ.
- يصبح الجهاز ساخن للغاية أثناء ما يكون قيد الاستخدام. عليك الانتباه لعدم لمس الأجزاء الساخنة داخل الفرن.
- الفرن غير مصمم لتجفيف أي كائنات حية.
- لا تقم بتشغيل الفرن وهو فارغ.
- لا تستخدم إلا الأواني المناسبة للاستخدام في أفران المايكروويف.
- قد تصبح أواني الطهي ساخنة بسبب الحرارة المنقولة من الطعام الذي تم تسخينه إلى الأواني. قد تحتاج لقفازات الفرن لإمساك الأواني.
- يجب فحص الأواني للتأكد من تناسبها للاستخدام في أفران المايكروويف.
- لا تضع الفرن على الموقد أو أي أجهزة أخرى مولدة للحرارة. وإلا قد يتلف ويصبح الضمان لاغياً.
- لا يجوز وضع فرن المايكروويف في كابينة غير متوافقة مع تعليمات التركيب.
- قد يخرج البخار أثناء فتح الأغذية أو ورق التصدير بعد طهي الطعام.
- عليك استخدام القفازات أثناء إخراج أي نوع من الطعام الذي تم تسخينه.
- أثناء ما يكون الجهاز قيد الاستخدام، قد تكون الأسطح الظاهرة ساخنة جداً.
- أثناء ما يكون الجهاز قيد الاستخدام، قد يكون الباب والزجاج الخارجي ساخنين للغاية.
- إذا كان سلك التيار الكهربائي تالفاً، فيجب استبداله بواسطة المصنع أو وكيل الخدمة أو أية أشخاص آخرين مؤهلين لتجنب المخاطر.
- تلتزم أفران مايكروويف Beko بمعايير السلامة السارية؛ وعلى ذلك ففي حالة حدوث أي تلف بالجهاز، أو كابل الطاقة، يجب إصلاحه أو استبداله من خلال الوكيل، أو مركز الخدمة، أو أخصائي خدمة معتمد لتجنب أي خطر. أعمال الإصلاح الخاطئة أو غير المؤهلة قد تتسبب في خطر على المستخدم.
- تأكد من توافق إمدادات الطاقة الخاصة بك مع المعلومات المقدمة على لوحة تصنيف الجهاز.
- الطريقة الوحيدة لفصل الجهاز من مصدر الطاقة هي نزع قابس الطاقة من منفذ الطاقة.
- لا تستخدم الجهاز سوى مع منفذ به طرف أرضي.
- لا تستخدم الجهاز إذا كان كابل الطاقة أو الجهاز به عطب.
- لا تستخدم هذا الجهاز مع كابل تمديد.
- لا تلمس الجهاز أبداً ويديك مبتلتان أو رطبتان.
- ضع الجهاز بطريقة يسهل من خلالها الوصول للقابس.
- قم بحماية كابل الطاقة من التلف وذلك بعدم الضغط عليه أو ثنيه أو حكه بالحواف الحادة. حافظ على كابل الطاقة بعيداً عن الأسطح الساخنة والسنة اللهب.
- تأكد من عدم وجود خطر سحب كابل الطاقة مصادفة أو عدم إمكانية تعثر أحد به عندما يكون الجهاز قيد الاستخدام.
- انزع قابس الجهاز أثناء التنظيف وعند عدم استخدامه.

- عليك عدم اللعب بأي أجسام بين الجانب الأمامي وباب الفرن. لا تسمح للأتربة أو بقايا مواد التنظيف بالتراكم على أسطح الإغلاق.
- أي أعمال صيانة تتطلب إزالة الغطاء الذي يوفر الحماية ضد التعرض لطاقة الميكروويف لابد وأن لا يتم إجراؤها سوى من خلال الأشخاص/ فنيي الخدمة المعتمدين. وأي طريقة أخرى للقيام بذلك تمثل خطورة بالغة.
- جهازك مُعد للطهي، والتسخين، وفك التجمد للأطعمة في المنزل. لا يجوز استخدامه لأغراض تجارية. لا تتحمل جهة التصنيع مسؤولية الأضرار الناشئة من إساءة الاستخدام.
- لا تستخدم هذا الجهاز خارج المنزل بالهواء الطلق، أو في الحمام، أو في البيئات الرطبة أو في الأماكن التي قد يصل إليه فيها البلل.
- لا تتحمل أي مسؤولية أو مطالبات بالضمان عن التلفيات التي تنشأ من إساءة الاستخدام أو المنولة غير المناسبة للجهاز.
- لا تحاول أبداً فك الجهاز. لن يتم قبول أي دعاوى ضمان بسبب الأعطال الناتجة عن سوء الاستخدام.
- لا تستخدم سوى الأجزاء الأصلية التي توصي بها جهة التصنيع.
- لا تترك الجهاز بدون رقابة طالما أنه قيد الاستخدام.
- عليك دائماً استخدام الجهاز على سطح مستقر، ومستو، ونظيف، وجاف وغير منزلق.
- لا يجب تشغيل الجهاز مع مؤقت ساعة خارجي أو نظام تحكم عن بعد منفصل.
- قبل استخدام الجهاز للمرة الأولى، عليك تنظيف جميع الأجزاء. يرجى الإطلاع على التفاصيل في قسم "التنظيف والصيانة".
- لا يتم تشغيل الجهاز سوى للعرض المُعد من أجله

احرص على قراءة تعليمات السلامة الهامة بعناية واحتفظ بها للرجوع إليها في المستقبل

يحتوي هذا القسم على تعليمات السلامة التي ستساعدك على الحماية من مخاطر الحريق، أو الصعق الكهربائي، أو التعرض لتسرب طاقة الميكروويف، وتجنب خطر إصابة الأفراد أو الإضرار بالممتلكات. عدم اتباع هذه التعليمات من شأنه إلغاء الضمان.

1.1 السلامة العامة

- فرن المايكروويف مُعد لغرض تسخين الطعام والمشروبات. أعمال تجفيف الأغذية أو الملابس أو تسخين وسائد التدفئة والشبابش والاسفنج والماندائل المبللة وما شابه يمكن أن تؤدي إلى وقوع مخاطر الإصابات أو الاشتعال أو إضرار حريق.
- هذا الجهاز مُعد للاستخدام المنزلي وبعض التطبيقات المشابهة مثل:
- مناطق المطبخ في المحلات والمقاهي وبيئات العمل الأخرى؛
- بيوت المزارع؛
- الاستخدام بواسطة العملاء في الفنادق أو المولات التجارية أو بيئات أنواع الإقامة الأخرى؛
- في غرف النوم وبيئات الإفطار
- لا تحاول بدء تشغيل الفرن عندما يكون باب الفرن مفتوحاً، وإلا قد تتعرض لطاقة مايكروويف ضارة. لا يجب تعطيل أفعال السلامة أو التلاعب بها.

يرجى قراءة هذا الدليل أولاً!

عزيزي العميل،
شكراً لشرائك منتج شركة بيكو. نأمل أن تحصل على أفضل النتائج من جهازك الذي قد تم تصنيعه بأعلى جودة وبأحدث التقنيات. وعلى ذلك، يرجى قراءة كامل دليل المستخدم هذا وجميع المستندات المصاحبة له بعناية قبل استخدام المنتج والاحتفاظ به كمرجع للاستخدام المستقبلي. إذا قمت بتسليم الجهاز لشخص آخر، فأعطه دليل المستخدم أيضاً. اتبع التحذيرات والمعلومات في دليل المستخدم.
تذكر أن دليل المستخدم هذا قابل للتطبيق على العديد من النماذج الأخرى. فإن الاختلافات بين النماذج المذكورة بوضوح في الدليل.

معاني الرموز

تستخدم الرموز التالية في مختلف أقسام دليل المستخدم هذا:

معلومات مهمة وتنبيهات مفيدة عن الاستخدام.	
تحذيرات بشأن مواقف خطيرة تتعلق بسلامة الحياة والمنشآت.	
تحذير أسطح ساخنة.	



وقد تم تصنيع هذا المنتج في مصانع عصرية وصديقة للبيئة دون إلحاق أي ضرر بالطبيعة.

فرن المايكروويف

دليل المستخدم



MCF25210X | MCF28310X
MCF32410X |

AR

beko

01M-8802983200-4418-01