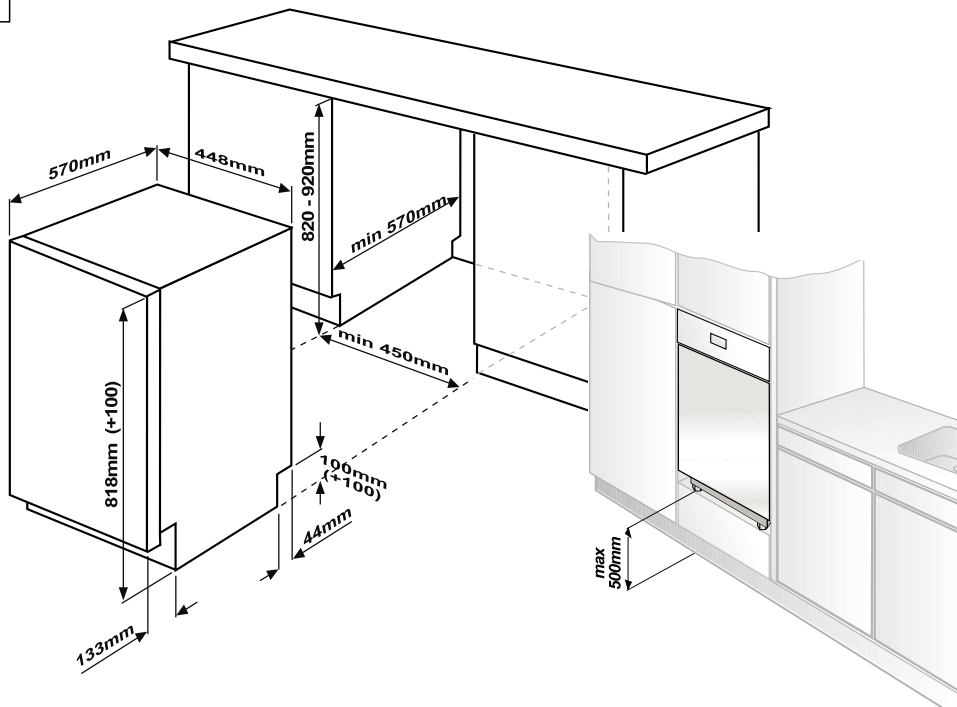
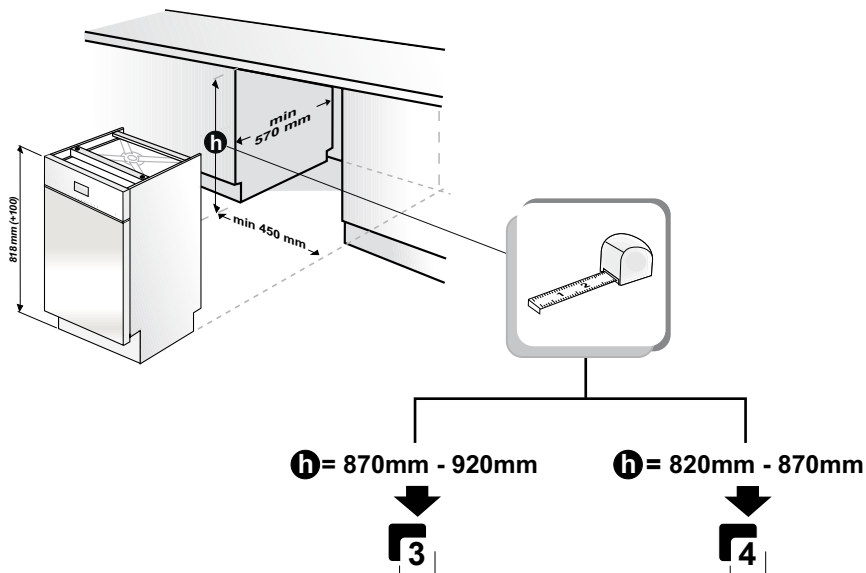


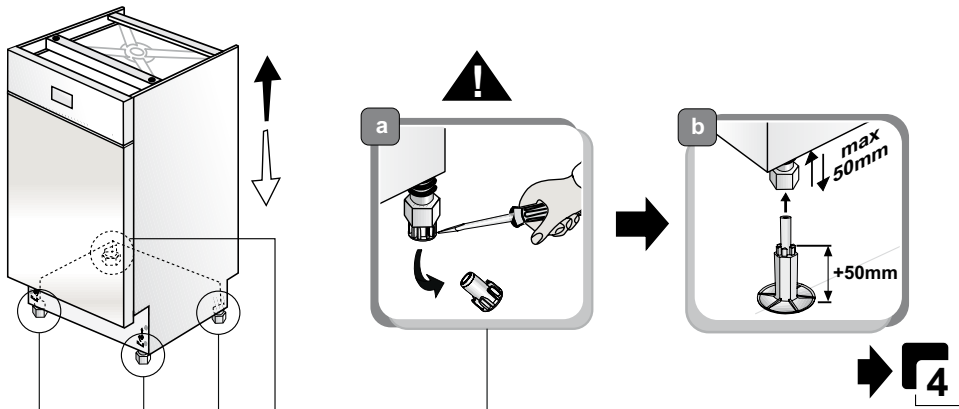
1



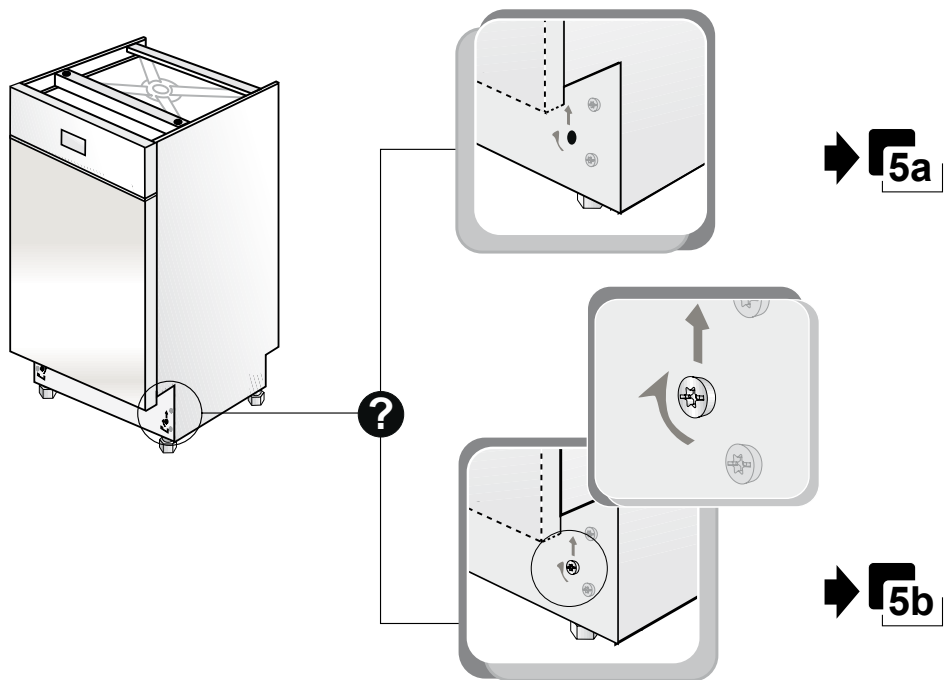
2



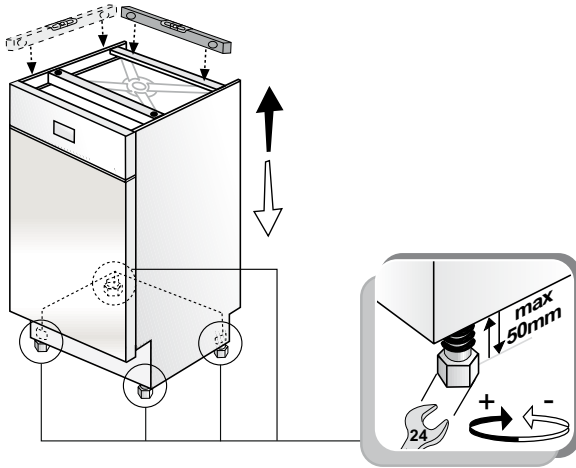
3



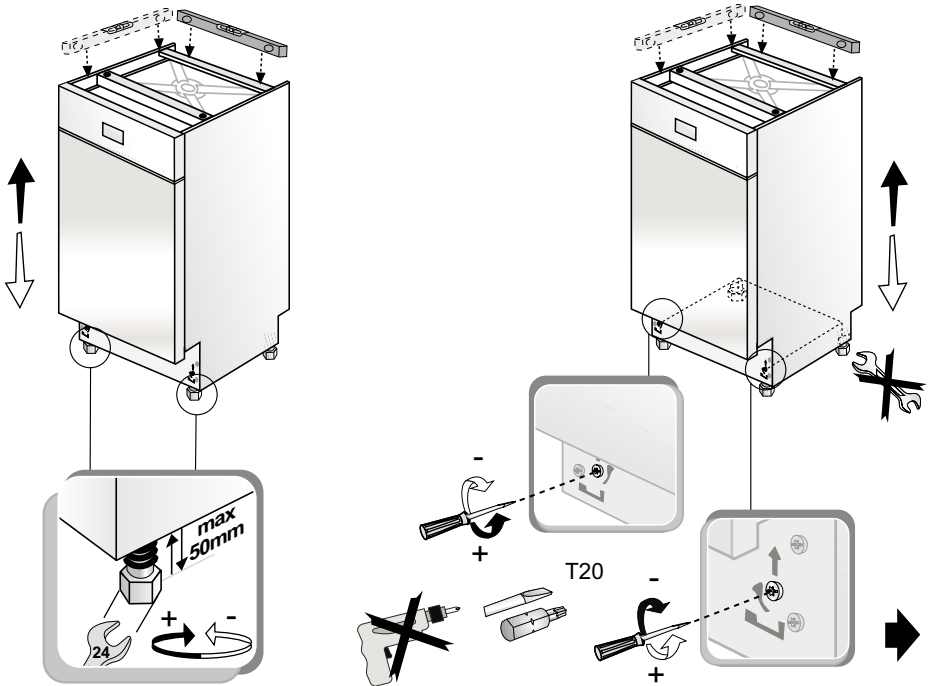
4



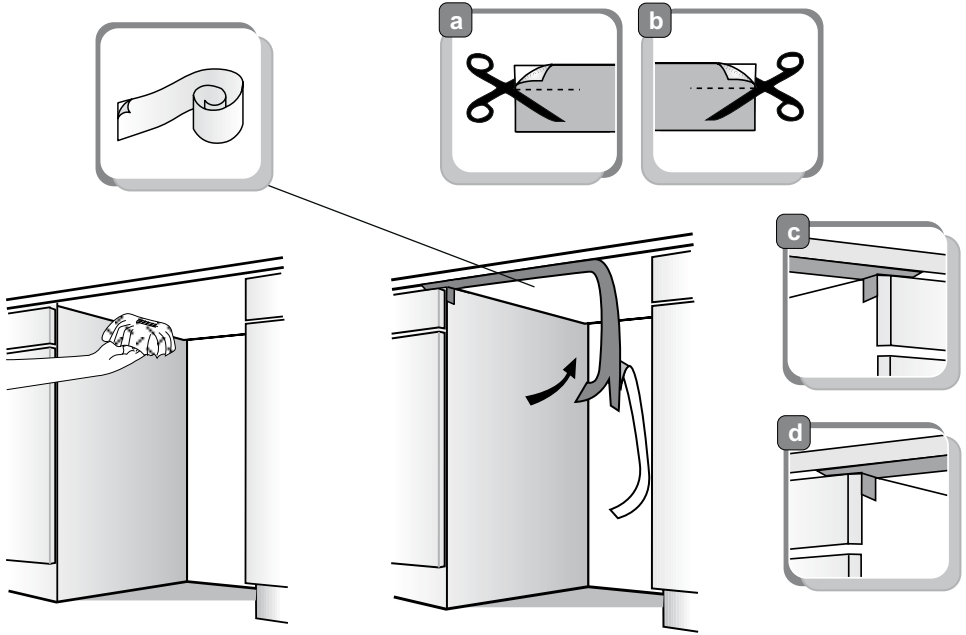
5a



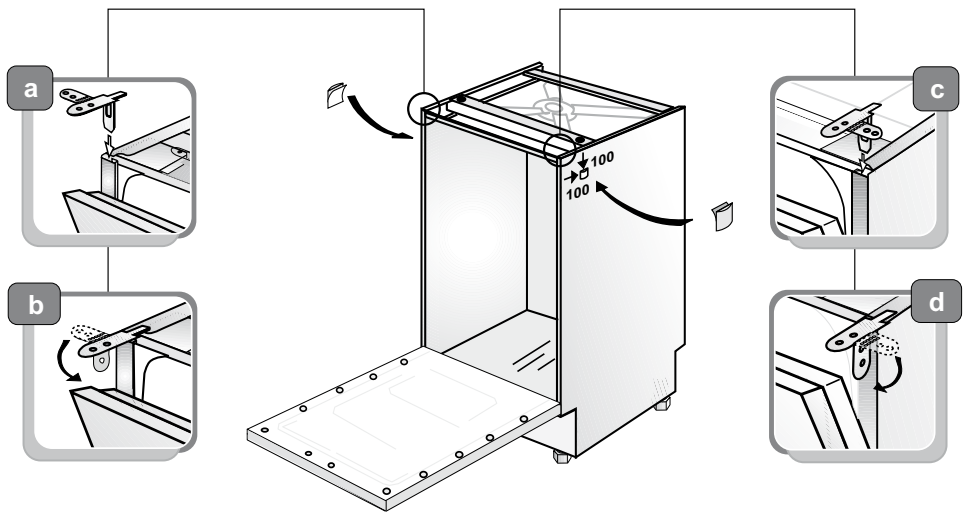
5b

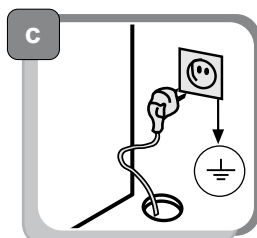
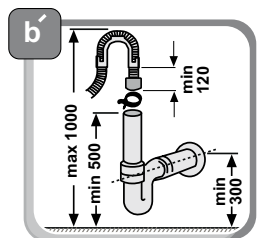
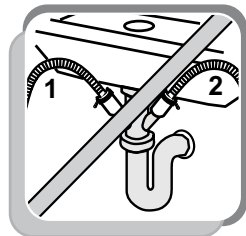
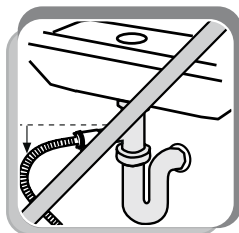
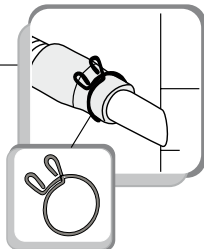
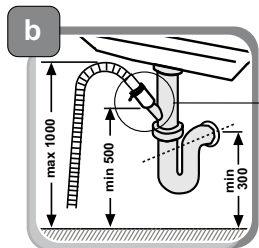
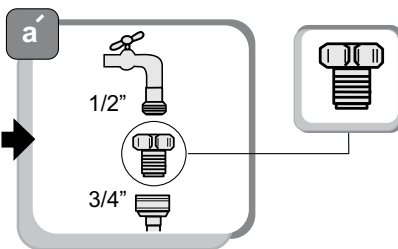
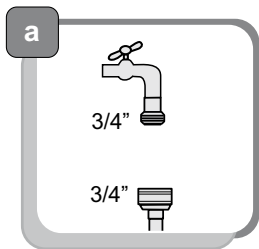
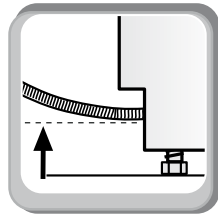
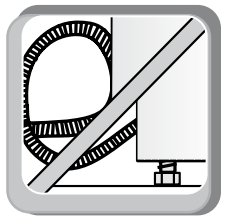
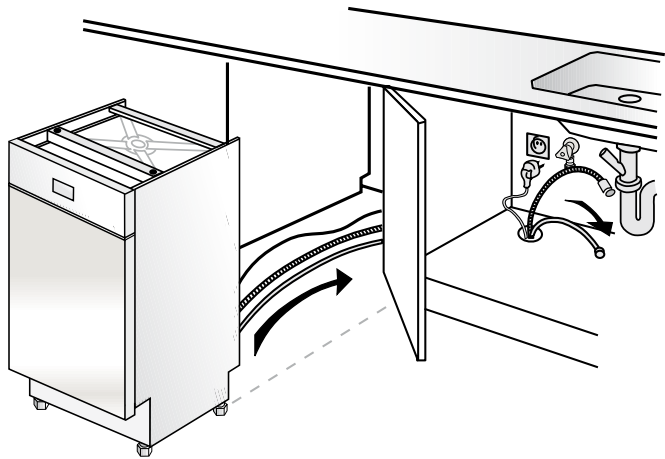


6

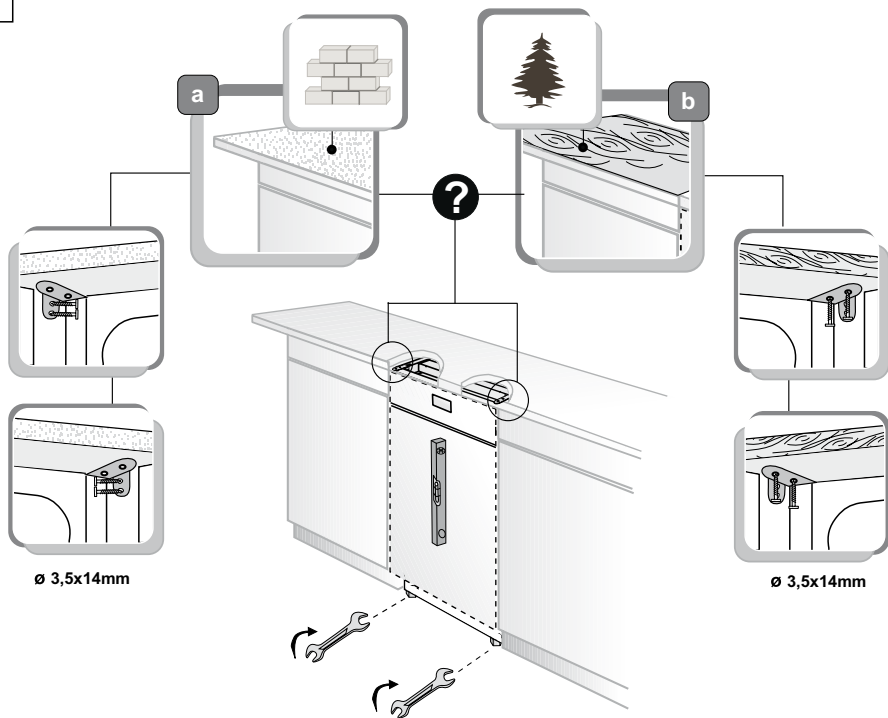


7

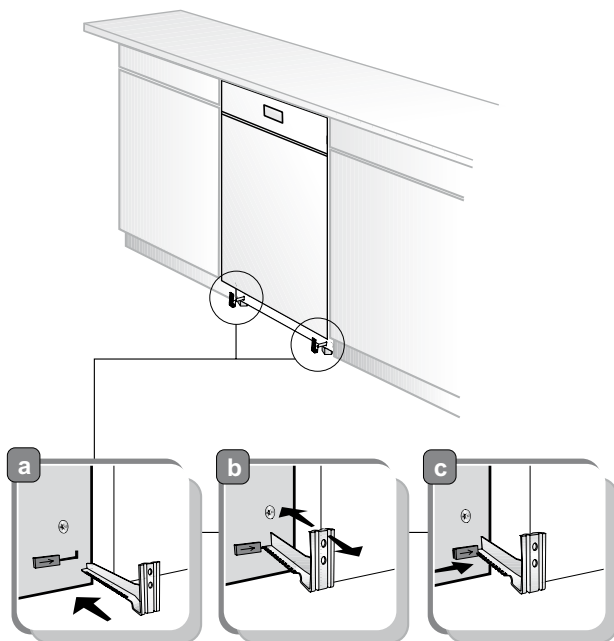




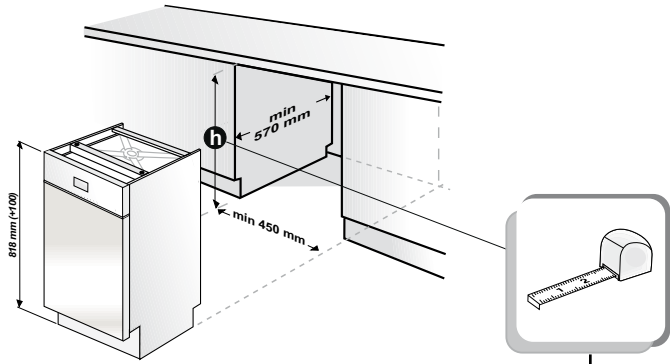
9



10



11



h = 820mm - 840mm



12

h = 840mm - 870mm



13

h = 870mm - 920mm

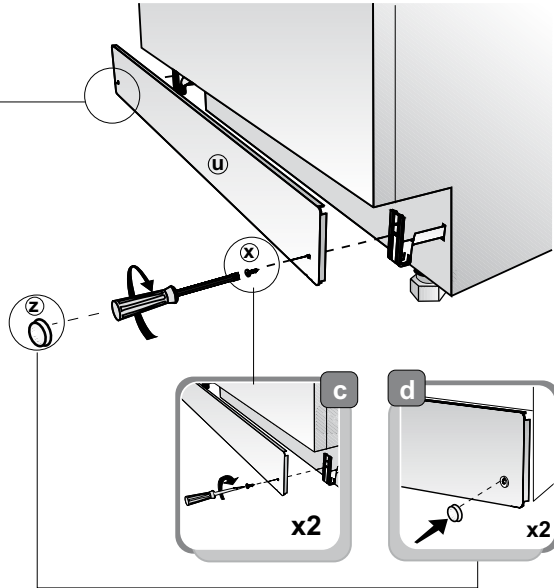
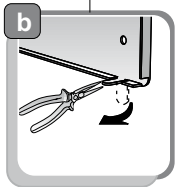
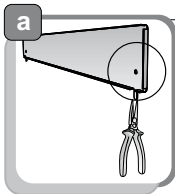
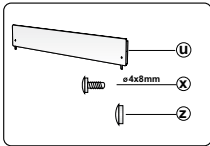


14

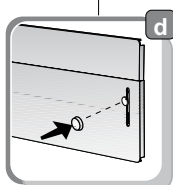
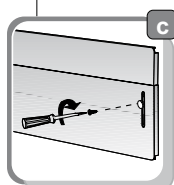
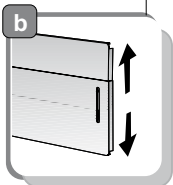
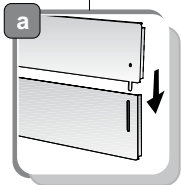
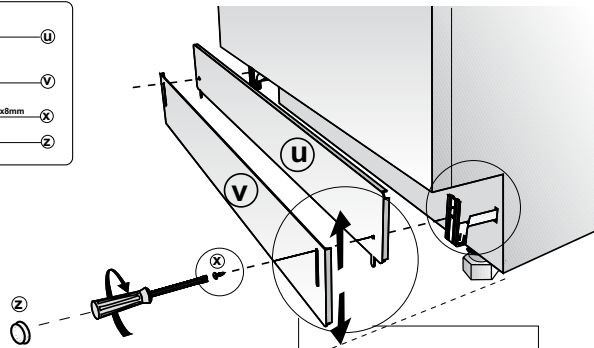
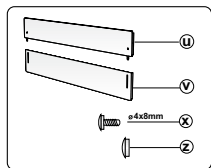


15

12



13



14

