



Chest Freezer

Congélateur horizontal

Фризер Ракла

Congelador Horizontal

Šaldymo Dėžė

Congelador de Arcón

Congelatore a Banco

HSA 47520

WARNING!

In order to ensure a normal operation of your refrigerating appliance, which uses a completely environmentally friendly refrigerant the R600a (flammable only under certain conditions) you must observe the following rules:

- ◆ Do not hinder the free circulation of the air around the appliance.
- ◆ Do not use mechanical devices in order to accelerate the defrosting, others than the ones recommended by the manufacturer.
- ◆ Do not destroy the refrigerating circuit.
- ◆ Do not use electric appliances inside the food keeping compartment, other than those that might have been recommended by the manufacturer.

ATTENTION!

Pour assurer un fonctionnement normal de votre appareil qui utilise un agent frigorifique complètement écologique, R600a (inflammable seulement dans certaines conditions) vous devez respecter les règles suivantes:

- ◆ N'empêchez pas la libre circulation de l'air autour de l'appareil.
- ◆ N'utilisez pas des dispositifs mécaniques pour accélérer le dégivrage, autres que ceux recommandés par le fabricant.
- ◆ Ne détruisez pas le circuit frigorifique.
- ◆ N'utilisez pas des appareils électriques à l'intérieur du compartiment pour conserver les denrées, apart celles qui sont éventuellement recommandés par le fabricant.

ВНИМАНИЕ!

Вашия апарат съдържа хладилна течност R600a (запалим само при определени условия) газ от естествен произход който е силно съвместим със изискванията за опазване на околната среда. За да осигурите нормална работа на Вашият уред моля спазвайте следните правила:

- ◆ Осигурете нормална вентилация на уреда.
- ◆ Не използвайте механични устройства за размразяване на уреда, освен тези препоръчни от производителя.
- ◆ Не наранявайте хладилната верига.
- ◆ Не използвайте електрически уреди вътре в апарата.

AVISO!

Afim de assegurar um funcionamento normal do seu aparelho de refrigeração que utiliza um refrigerador, o R600a, completamente amigo do ambiente (inflamável apenas sob certas condições), deve observar as seguintes normas:

- ◆ Não obstrua a livre circulação do ar ao redor do aparelho.
- ◆ Não utilize dispositivos mecânicos que não os recomendados pelo fabricante para acelerar o descongelamento.
- ◆ Não destrua o circuito de refrigeração.
- ◆ Não utilize aparelhos eléctricos que não aqueles que devem ter sido recomendados pelo fabricante dentro do compartimento para guardar comida.

DĖMESIO!

Kad užtikrintumėte normalų jūsų šaldytuvo veikimą, kuris naudoja draugišką aplinkai šaldymo agentą R600a (užsidega tik tam tikromis sąlygomis) jūs privalote laikytis šių nurodymų:

- ◆ leiskite laisvai cirkuliuoti orui aplink prietaisą;
- ◆ nenaudokite jokių kitų priemonių, norėdami atitirpinti šaldytuvą ar šaldiklį, naudokite tik tas, kurias rekomenduoja gamintojas;
- ◆ nekeiskite šaldytuvo elektros grandinės;
- ◆ nenaudokite elektros prietaisų šaldytuvo viduje.

ADVERTENCIA

Con el fin de garantizar un funcionamiento normal de su frigorífico, que utiliza un refrigerante totalmente respetuoso con el medio ambiente, el R600a (inflamable sólo en ciertas condiciones), se deben observar las pautas siguientes:

- ◆ No impedir la libre circulación del aire alrededor del electrodoméstico.
- ◆ Para acelerar el deshielo no se deben utilizar dispositivos mecánicos que no sean aquellos recomendados por el fabricante.
- ◆ No destruir el circuito de refrigeración.
- ◆ No utilizar aparatos eléctricos dentro del compartimento de aviso de alimentos que no sean los que pudiera haber recomendado el fabricante.

AVVERTENZA!

Per garantire il funzionamento adeguato dell'elettrodomestico, che utilizza il refrigerante R 600a completamente adatto all'ambiente (inflammabile solo in determinate condizioni), è necessario attenersi alle seguenti regole:

- ◆ Non ostacolare la libera circolazione dell'aria attorno all'elettrodomestico.
- ◆ Per accelerare lo sbrinamento non utilizzare dispositivi meccanici diversi da quelli consigliati dal produttore.
- ◆ Non danneggiare il circuito refrigerante.
- ◆ Non utilizzare all'interno del comparto del cibo elettrodomestici diversi da quelli consigliati dal produttore.

EN**Content**

Advice for recycling of the old appliance /1
Packing Recycling /2
Transport instructions /2
Warnings and special advice /2
Setting up /3
Electric connection /3
Switching off /4
Appliance description /4
Freezer operation /4
Advice for food conservation /4
Defrosting of the appliance /5
Cleaning of the appliance /5
Replacing the interior light bulb /6
Defects finding guide /6

FR**Table de matieres**

Conseils pour le recyclage de l'ancien
appareil /7
Recyclage de l'emballage /8
Instructions de transport /8
Avertissements et conseils speciaux /8
Mise en fonction /9
Connections electriques /9
Decouplage /9
Description de l'appareil /10
Fonctionnement du congélateur /10
Conseils pour conserver les denrées /10
Degivrage de l'appareil /11
Nettoyage de l'appareil /12
Replacage de la lampe interieure /12
Guide pour trouver les defauts /12

БГ**Съдържание**

Поздравяваме Ви за вашия избор! /14
Ръководство за ползване /15
Инструкции за транспорт /15
Предупреждение и общи съвети /15
Ръководство за ползване /16
Монтаж на уреда /16
Свързване с електрическата мрежа /16
Ръководство за ползване /17
Работа с апарата /17
Описание на уреда /17
Работа с фризера /17
Ръководство за ползване /18
Ръководство за ползване /19
Почистване от вътре /19
Почистване от вън /19
Ръководство за ползване /20
Подмяна на лампата на вътрешното
осветление / 20
Шум по време на работа на апарата /20

PT**Índice**

Conselhos para a reciclagem do
equipamento velho /22
Reciclagem da Embalagem /23
Instruções para transporte /23
Avisos e conselhos especiais /23
Instalação /24
Ligação eléctrica /24
Desligar /24
Descrição do equipamento /25
Funcionamento do congelador /25
Conselhos para a conservação dos
alimentos /25
Descongelação do equipamento /26
Limpeza do equipamento /27
Substituição da lâmpada interior /27
Guia para localização dos defeitos /27

LT**Turinys**

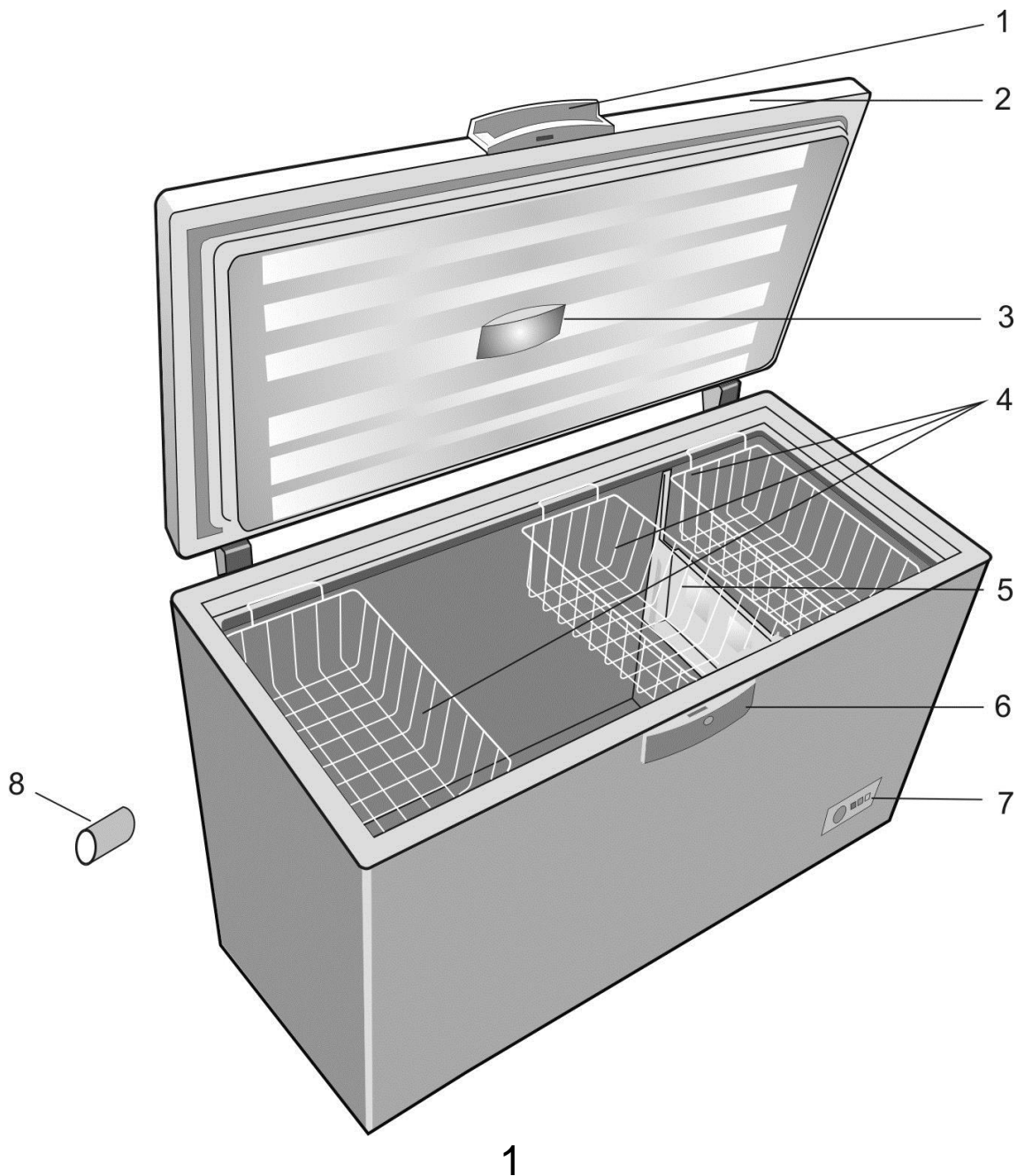
Sveikiname su Jūsų pasirinkimu /29
Pakartotinas pakuotės panaudojimas /30
Gabenimas /30
Įspėjimai ir bendrosios nuorodos /30
Prietaiso paruošimas /31
Pajungimas /31
Išjungimas /32
Prietaiso naudojimas /32
Prietaiso aprašymas /32
Šaldymo programos /32
Šaldytų maisto produktų laikymas /33
Atitirpinimas /34
Vidaus valymas /34
Išorės valymas /34
Apšvietimo lempuotės keitimas /34
Gedimų šalinimas /35

ES**Índice**

Consejos para reciclar el antiguo aparato /36
Reciclado del embalaje /37
Instrucciones de transporte /37
Advertencias y consejos especiales /37
Instalación /38
Conexiones eléctricas /38
Desconexión /38
Descripción del electrodoméstico /39
Funcionamiento del congelador /39
Consejos para la conservación
de alimentos /39
Uso de las cestas /40
Deshielo del aparato /40
Limpieza del aparato /41
Sustitución de la bombilla interior /41
Guía de localización de averías /41

IT**Indice**

Consigli per il riciclaggio del vecchio
elettrodomestico /43
Riciclaggio dell'imballo /44
Istruzioni per il trasporto /44
Avvisi e consigli specifici /44
Installazione /45
Collegamento elettronico /45
Spegnimento /45
Descrizione elettrodomestico /46
Funzionamento freezer /46
Consigli per la conservazione del cibo /46
Sbrinamento dell'elettrodomestico /47
Pulizia dell'elettrodomestico /48
Sostituzione della lampadina interna /48
Guida per l'individuazione di difetti /48



i Figures that take place in this instruction manual are schematic and may not correspond exactly with your product. If the subject parts are not included in the product you have purchased, then it is valid for other models.

i Les illustrations présentées dans cette notice d'utilisation sont schématiques et peuvent ne pas correspondre exactement à votre produit. Si des pièces présentées ne sont pas comprises dans le produit que vous avez acheté, elles sont valables pour d'autres modèles.

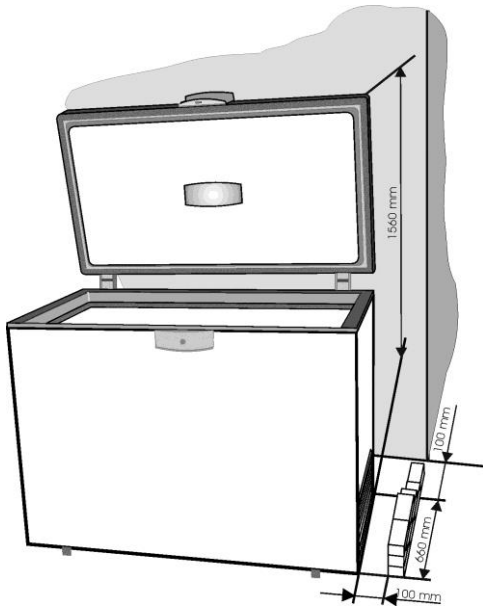
i Фигурите, в настоящето ръководство за употреба, са схематични и може да не отговарят точно на вашия уред. Ако споменатите части липсват във вашия уред, то те важат за други модели.

i As figuras que aparecem neste manual de instruções são esquemáticas e podem não corresponder exactamente ao seu produto. Se as partes referidas não estiverem incluídas no produto que adquiriu, é porque são válidas para outros modelos.

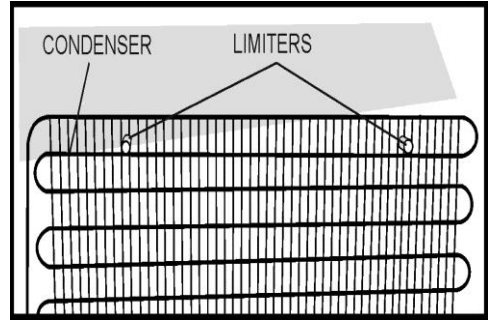
i Šiame eksploatavimo vadove pateikti paveikslėliai yra orientacinio pobūdžio; gali būti, kad jie tiksliai nevaizduoja jūsų turimo gaminio. Jei jūsų turimame gaminyje nėra aprašomų dalių, tai reiškia, jog tai taikoma kitiems modeliams.

i Las ilustraciones incluidas en el presente manual de instrucciones son esquemáticas y puede que no se adecúen a su aparato con exactitud. Si alguno de los elementos reflejados no se corresponde con el aparato que usted ha adquirido, entonces será válido para otros modelos.

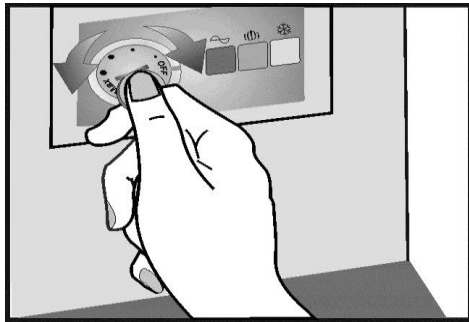
i Le illustrazioni contenute in questa guida sono schematiche e potrebbero non corrispondere esattamente al prodotto in uso. Se le parti in oggetto non sono incluse nel prodotto acquistato, significa che sono da intendersi per altri modelli.



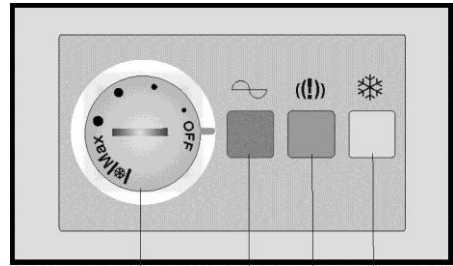
2



3



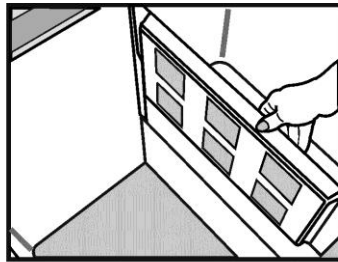
4



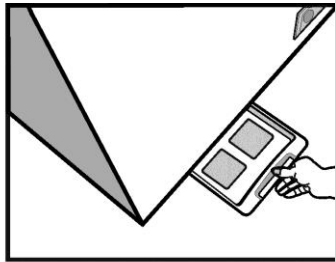
5



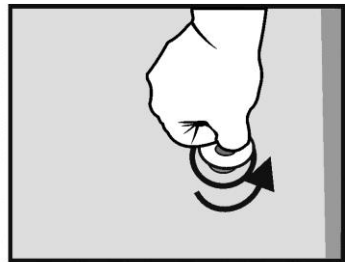
1



2



3



4

6

Congratulations for your choice!

The chest freezer you have purchased is one in the BEKO products range and represents a harmonious joining between the refrigeration technique with the aestetical outlook. It has a new and attractive design and is built according to the European and national standards which guarantee its operation and safety features. At the same time, the used refrigerant, R600a, is environment-friendly and it does not affect the ozone layer.

In order to use the best your freezer, we advise you to read carefully the information in these user instructions.

Advice for recycling your old appliance

If your newly purchased appliance replaces an older appliance, you must consider a few aspects.

The old appliances are not valueless scrap. Their disposal, while preserving the environment, allows the recovery of important raw materials.

Make your old appliance useless :

- disconnect the appliance from the supply;
- remove the supply cord (cut it);
- remove the eventual locks on the door to avoid the blocking of children inside, while playing, and the endangering of their lives.

The refrigerating appliances contain insulating materials and refrigerants which require a proper recycling.

Original Spare parts will be provided for 10 years, following the product purchasing date.

**This appliance is not intended for use by person with reduced physical, sensory or mental capabilities or lack of experience and knowledge unless they have been given supervision or instruction concerning use of the appliance by a person responsible for their safety.
Children should be supervised to ensure that they do not play with the appliance.**

Packing Recycling

WARNING!

Do not allow children to play with the packing or with parts of it. There is the risk of suffocation with parts of corrugated cardboard and with plastic film.

In order to get to you in good condition, the appliance was protected with a suitable packing. All the materials of the packing are compatible with the environment and recyclable. Please help us recycle the packing while protecting the environment !

IMPORTANT!

Before putting the appliance in operation, read carefully and entirely these instructions. They contain important information concerning the setting up, use and maintenance of the appliance.

The manufacturer is free of any responsibility if the information in this document are not observed. Keep the instructions in a safe place in order to reach them easily in case of need. They can also be useful subsequently by another user.

ATTENTION!

This appliance must be used only for its intended purpose, (household use), in suitable areas, far from rain, moisture or other weather conditions.

Transport instructions

The appliance must be transported, as much as possible, only in vertical position. The packing must be in perfect condition during transport.

If during transport the appliance was put in horizontal position (only according to the markings on the packing), it is advised that, before putting it into operation, the appliance is left to rest for 4 hours in order to allow the settling of the refrigerating circuit.

The failure to observe these instructions can cause the breakdown of the motorcompressor and the cancellation of its warranty.

Warnings and general advice

- Do not plug in the appliance if you noticed a failure.
- The repairs must be done only by qualified personnel.
- In the following situations please unplug the appliance from the mains:
 - when you defrost completely the appliance;
 - when you clean the appliance.

To unplug the appliance, pull by the plug, not by the cable!

- Ensure the minimum space between the appliance and the wall against which it is placed.
- Do not climb on the appliance.
- Do not allow the children to play or hide inside the appliance.
- Never use electric appliances inside the freezer, for defrosting.
- Do not use the appliance near heating appliances, cookers or other sources of heat and fire.
- Do not leave the freezer door open more than it is necessary to put in or take out the food.
- Do not leave the food in the appliance if it is not working.
- Do not keep inside products containing flammable or explosive gases.
- Do not keep inside fizzy drinks (juice, mineral water, champagne, etc.) in the freezer: the bottle can explode! Do not freeze drinks in plastic bottles.
- Do not eat ice cubes or icecream immediately after having taken them out of the freezer because they may cause „freezer burns“.
- Never touch cold metal parts or frozen food with wet hands because your hands can quickly freeze on the very cold surfaces.
- For the protection of the appliance during warehousing and transport, it is provided with spacers between the door and the cabinet (in the front and rear side). These spacers will be removed before putting the appliance into operation.

- Excess deposit of ice on the frame and the baskets should be removed regularly with the plastic scraper provided. Do not use any metal parts to remove the ice.

The presence of this ice build-up makes impossible to close the door correctly.

- If you do not use your appliance for a few days, it is not advisable to switch it off. If you do not use it for a longer period, please proceed as follows :

- unplug the appliance;
- empty the freezer;
- defrost it and clean it;
- leave the door open to avoid the formation of unpleasant smells.

- If the supply cord is damaged, it must be replaced by the manufacturer, its service agent or similarly qualified persons in order to avoid a hazard.

- If your appliance has a lock, keep it locked and store the key in a safe place, out of the reach of children. If you are discarding an appliance with lock, make sure that, is made ineffective. This is very important so as to avoid children being trapped inside, which may cause their loss of life.

Setting up

Your product was designed to operate at an ambient temperature between -15°C and +43°C. If the ambient temperature is above +43°C, inside the appliance the temperature can increase.

Set up the appliance far from any source of heat and fire. Placing it in a warm room, the direct exposure to sunbeams or near a heat source (heaters, cookers, ovens), will increase the energy consumption and shorten the product life.

- Please observe the following minimum distances:

- 100 cm from the cookers working with coal or oil;
- 150 cm from the electric and gas cookers.
- Ensure the free circulation of the air around the appliance, by observing the distances shown in Item 2.

Assemble on the condenser (in the rear side) the supplied spacers. (Item 3).

- Place the appliance in a perfectly even, dry and well ventilated place.

Assemble the supplied accessories.

Electric connection

Your appliance is intended to operate at a single-phase voltage of 220-240V/50 Hz. Before plugging in the appliance, please make sure that the parameters of the mains in your house (voltage, current type, frequency) comply to the operation parameters of the appliance.

- The information concerning the supply voltage and the absorbed power is given on the marking label placed in the back side of the freezer.

- The electric installation must comply with the law requirements.

- **The earthing of the appliance is compulsory. The manufacturer has no responsibility for any damage to persons, animals or goods which may arise from the failure to observe the specified conditions.**

- The appliance is endowed with a supply cord and a plug (European type, marked 10/16A) with double earthing contact for safety. If the socket is not the same type with the plug, please ask a specialised electrician to change it.

- Do not use extension pieces or multiple adapters.

Switching off

The switching off must be possible by taking the plug out of the socket or by means of a mains two-poles switch placed before the socket.

Operation

Before putting into operation, clean the inside of the appliance (see chapter „Cleaning“). After finishing this operation please plug in the appliance, adjust the thermostat knob to an average position. The green and red LEDs in the signalling block must light. Leave the appliance work for about 2 hours without putting food inside it. The freezing of the fresh food is possible after min. 20 hours of operation.

Appliance description

(Item. 1)

1. Door handle
2. Door
3. Lamp housing
4. Baskets
5. Tray
6. Lock housing
7. Thermostat box
8. Spacer for transport

Freezer operation

Temperature adjustment

The temperature of the freezer is adjusted by means of the knob assembled on the thermostat (item. 4), position „MAX” being the lowest temperature.

The achieved temperatures can vary according to the conditions of use of the appliance, such as: place of the appliance, ambient temperature, frequency of door opening, extent of filling with food of the freezer. The position of the thermostat knob will change according to these factors. Normally, for an ambient temperature of approx. 32°C, the thermostat will be adjusted on an average position.

The signalling system is placed on the front side of the freezer (Item 5).

It includes:

1. Thermostat adjustment knob – the inside temperature is adjusted.
2. green LED – shows that the appliance is supplied with electric energy.
3. red LED – damage – lights if the temperature in the freezer is too high. The LED will operate 15-45 minutes after the putting into operation of the freezer, then it must go off. If the LED goes on during the operation, this means that defects have occurred.
4. LED Orange– fast freeze function activated – by setting the knob to Superfreeze position the orange led goes on, showing that the appliance entered into the "fast freeze" mode. The exit of this mode is done automatically after 50 hours then the appliance runs in economic mode, and the orange led goes off.

The three LEDs give information about the mode of operation of the freezer.

Advice for food conservation

The freezer is intended to keep the frozen food for a long time, as well as to freeze fresh food. One of the main elements for a successful food freezing is the packing.

The main conditions that the packing must fulfill are the following: to be airtight, to be inert towards the packed food, to resist to low temperatures, to be proof to liquids, grease, water vapours, smells, to be able to be washed. These conditions are fulfilled by the following types of packings: plastic or aluminium film, plastic and aluminium vessels, waxed cardboard glasses or plastic glasses.

IMPORTANT!

- For freezing the fresh food please use the supplied baskets of the appliance.
- Do not place into the freezer a too large quantity of food at a time. The quality of the food is best kept if they are deeply frozen as quickly as possible. This is why it is advisable not to exceed the freezing capacity of the appliance specified in the "Product Fiche".
- The fresh food must not come into contact with the food already frozen.
- The frozen food you have bought can be placed into the freezer without having to adjust the thermostat.
- If the freezing date is not mentioned on the packing, please take into consideration a period of max. 3 months, as a general guide.
- The food, even partially defrosted, cannot be frozen again, it must be consumed immediately or cooked and then refrozen.
- The fizzy drinks will not be kept in the freezer.
- In case of a power failure, do not open the door of the appliance. The frozen food will not be affected if the failure lasts less than 36 hours.

Freezing with Superfrost

- Place the knob to super frost position. The Superfrost lamp comes on.
- Wait 24 hours.
- Place the fresh food in the freezer. In order to achieve fast freezing, food should be in contact with the interior walls when it is placed in the freezer.
- The Superfrost facility automatically switches the fast freezing procedure off after 50 hours.

Important

When you place the knob to Superfrost position, the compressor might not switch on for a few minutes. This is due to the integrated rise-delay switch which is designed to increase the life span of the refrigeration unit.

You should not switch on the Superfrost function:

- when placing frozen food in the freezer;
- when freezing up to approx. 2 kg fresh food daily.

Defrosting of the appliance

- We advise you to defrost the freezer at least twice a year or when the ice layer has an excessive thickness.
- The ice build-up is a normal phenomenon.
- The quantity and the rapidity of ice build-up depends on the ambient conditions and on the frequency of the door opening.
- We advise you to defrost the appliance when the quantity of frozen food is the least.
- Before defrosting, adjust the thermostat knob to a higher position so that the food stores more cold.
- Unplug the appliance.
- Take out the frozen food, wrap it in several sheets of paper and put them in refrigerator or a cool place.

Take the separator panel and put it under the freezer in the direction of the dripping tube. Take out the obstructing plug. The water which results will be collected in the special tray (separator panel). After the melting of the ice and the run-off of the water please wipe with a cloth or with a sponge, then dry well. Put the obstruction plug back in its place. (Item. 6)

For a fast thaw please leave the door open.
Do not use sharp metal objects to remove the ice.

Do not use hairdriers or other electric heating appliances for defrosting.

Inside cleaning

Before starting the cleaning, unplug the appliance from the mains.

- It is advisable to clean the appliance when you defrost it.
- Wash the inside with lukewarm water where you add some neutral detergent. Do not use soap, detergent, gasoline or acetone which can leave a strong odour.
- Wipe with a wet sponge and dry with a soft cloth.

During this operation, avoid the excess of water, in order to prevent its entrance into the thermal insulation of the appliance, which would cause unpleasant odours.

Do not forget to clean also the door gasket especially the bellow ribs, by means of a clean cloth.

Outside cleaning

- Clean the outside of the freezer by means of a sponge soaked in soapy warm water, wipe with a soft cloth and dry.
 - The cleaning of the outside part of the refrigerating circuit (motorcompressor, condenser, connection tubes) will be done with a soft brush or with the vacuum-cleaner. During this operation, please take care not to distort the tubes or detach the cables.
- Do not use scouring or abrasive materials !**
- After having finished the cleaning, replace the accessories at their places and plug in the appliance.

Replacing the interior light bulb

If the lamp burns out, disconnect the appliance from the mains. Take out the lamp trim. Make sure the lamp is screwed correctly. Plug in the appliance again. If the lamp still does not go on, replace it with another one model E14-15W. Mount back the lamp trim in its place.

The lamp(s) used in this appliance is not suitable for household room illumination. The intended purpose of this lamp is to assist the user to place foodstuffs in the refrigerator/freezer in a safe and comfortable way.

The lamps used in this appliance have to withstand extreme physical conditions such as temperatures below -20°C.

Noises during operation

In order to keep the temperature at the value you have adjusted, the compressor of the appliance starts periodically.

The noises which can be heard in such situation are normal.

They are reduced as soon as the appliance reaches the operation temperature.

The humming noise is made by the compressor. It can become a little stronger when the compressor starts.

The bubbling and gurgling noises coming from the refrigerant circulating in the pipes of the appliance, are normal operating noises.

Warning !

Never try to repair yourself the appliance or its electric components. Any repair made by an unauthorised person is dangerous for the user and can result in the warranty cancellation.

Defects finding guide

The appliance does not work.

- There is a power failure.
- The plug of the supply cord is not inserted well into the socket.
- The fuse is blown.
- The thermostat is in „OFF” position.

The temperatures are not low enough (red LED on).

- The food prevents the door closing.
- The appliance was not placed correctly.
- The appliance is placed too close to a heat source.
- The thermostat knob is not in the correct position.

Excessive ice build-up

- The door was not closed properly.


The inside lighting does not work

- The lamp is blown. Unplug the appliance from the mains, take out the lamp and replace it with a new one.

The following are not defects

- Possible noddings and cracks coming from the product: circulation of the refrigerant in the system.



The symbol  on the product or on packaging indicates that this product may not be treated as household waste. Instead it shall be handed over to the applicable collection point for the recycling of electrical and electronic equipment. By ensuring this product is disposed of correctly, you will help prevent potential negative consequences for the environment and human health, which could otherwise be otherwise be caused by inappropriate waste handling of this product. For more detailed information about recycling of this product, please contact your local city office, your household waste disposal service or the shop where you purchased the product.

Félicitations pour votre choix!

Le congélateur horizontal que vous avez acheté est un des produits de la gamme BEKO et représente un joint harmonieux entre la technique de réfrigération et l'aspect esthétique. Il a un design nouveau et attractif et il est construit conformément aux standards européens et nationaux qui garantissent son fonctionnement et les caractéristiques de sécurité. À la fois, l'agent frigorigère utilisé R600a, est écologique et n'affecte pas la couche d'ozone.

Pour le meilleur emploi de votre congélateur, nous vous conseillons de lire avec attention les informations contenues dans ces instructions d'utilisation.

Les pièces détachées d'origine sont disponibles pendant 10 ans, à compter de la date d'achat du produit.

Conseils pour le recyclage de votre ancien appareil

Si l'appareil que vous venez d'acheter remplace un ancien appareil, vous devez tenir compte de quelques aspects.

Les anciens appareils ne sont pas de déchets sans valeur. Leur recyclage, en protégeant l'environnement, permet la récupération des matières premières importantes.

Rendez inutilisable votre ancien appareil:

- débranchez l'appareil du réseau électrique;
- enlevez le câble d'alimentation (coupez-le);
- enlevez les éventuelles blocages de la porte pour éviter l'attrapement des enfants dans l'appareil, pendant qu'ils jouent, et la mise en danger de leur vies.

Les appareils frigorifiques contiennent des matériaux d'isolation et des agents frigorifiques qui ont besoin d'un recyclage adéquat.

Cet appareil ne sera pas utilisé par des personnes ayant capacités physiques, sensorielles ou mentales réduites, ou sans expérience concernant l'utilisation de l'appareil, si une personne responsable de leur sécurité ne les a pas instruites pour ce but.

Les enfants doivent être surveillés pour avoir la certitude qu'ils ne jouent pas avec l'appareil.

Recyclage de l'emballage

ATTENTION!

Ne permettez pas aux enfants de jouer avec l'emballage ou avec des parts de l'emballage. Il y a le risque de suffocation avec des pièces de carton ondulé et avec du film en plastique.

Pour vous parvenir en bonnes conditions, l'appareil a été protégé avec un emballage approprié. Tous les matériaux de l'emballage sont compatibles avec l'environnement et recyclables. Nous vous prions de nous aider de recycler l'emballage en protégeant l'environnement!

IMPORTANT!

Avant la mise en fonction de l'appareil, lisez avec attention et entièrement ces instructions. Elles contiennent des informations importantes concernant la mise en fonction, l'utilisation et l'entretien de l'appareil. Le producteur n'a aucune responsabilité si les informations contenues dans ce document ne sont pas respectées. Gardez ces instructions dans un endroit sûr pour les consulter en cas de besoin. Elles peuvent aussi être utiles ultérieurement à un autre utilisateur.

ATTENTION!

Cet appareil doit être utilisé seulement pour le but pour lequel il a été réalisé (utilisation domestique), dans des endroits adéquats, loin de la pluie, humidité ou d'autres conditions atmosphériques.

Instructions de transport

L'appareil doit être transporté, si possible, seulement en position verticale. L'emballage doit être en condition parfaite pendant le transport.

Si pendant le transport l'appareil a été placé en position horizontale (seulement conformément aux marquages de l'emballage), on recommande que, avant la mise en fonction, l'appareil soit laissé reposer 4 heures pour permettre la stabilisation du circuit frigorifique. Si ces instructions ne sont pas respectées cela peut provoquer le dérèglement du moteur et la perte de la garantie.

Avertissements et conseils généraux

- Ne branchez pas l'appareil si vous avez constaté un défaut.
- Les réparations doivent être faites seulement par un personnel qualifié.
- Dans les situations suivantes nous vous prions de débrancher l'appareil:
 - quand vous dégivrez complètement l'appareil
 - quand vous nettoyez l'appareil.

Pour débrancher l'appareil, tirez par la fiche, non pas par le câble!

- Assurez l'espace minimum entre l'appareil et le mur vis-à-vis duquel il est placé.
- Ne montez pas sur l'appareil.
- Ne permettez pas aux enfants de jouer ou se cacher dans l'appareil
- N'employez jamais des appareils électriques dans le congélateur pour le dégivrage.
- N'employez pas l'appareil près des appareils de chauffage, cuisinières ou d'autres sources de chaleur ou de feu.
- Ne laissez pas la porte du congélateur ouverte plus qu'il est nécessaire pour introduire ou enlever les denrées.
- Ne laissez pas les denrées dans l'appareil s'il ne fonctionne pas.
- Ne gardez pas dedans des produits contenant des gaz inflammables ou explosives.
- Ne gardez pas des boissons acidulées (jus, eau minérale, champagne, etc.) dans le congélateur: la bouteille peut exploser! Ne congelez pas des boissons dans des bouteilles en plastique.
- Ne pas manger des cubes de glace ou de la glace immédiatement après les avoir enlevés du congélateur parce qu'ils peuvent provoquer des „brûlures de congélateur”.
- Ne touchez jamais les parties métalliques froides ou les denrées congelées avec les mains humides parce que vos mains peuvent glacer sur les surfaces très froides.
- Pour la protection de l'appareil pendant le stockage et le transport, il est prévu avec des pièces d'écartement entre la porte et le cabinet (dans la partie avant et arrière). Ces pièces d'écartement seront enlevées avant de mettre l'appareil en fonction.

- L'accumulation excessive de glace sur le cadre et sur les paniers doit être enlevée régulièrement à l'aide de la palette en plastique livrée avec l'appareil. Cette accumulation de glace a pour conséquence l'impossibilité de fermer correctement la porte.
- Si vous n'utilisez pas votre appareil pendant quelques jours, on ne recommande pas de le débrancher. Si vous ne l'utilisez pas pendant une période plus longue, nous vous prions de procéder comme suit:
 - débranchez l'appareil;
 - videz l'appareil;
 - dégivrez-le et nettoyez-le;
 - laissez la porte ouverte pour éviter la formation des odeurs désagréables.
- Si le cordon d'alimentation est endommagé, celui-ci doit être remplacé par le fabricant, ses agents agréés ou tout autre agent qualifié afin d'être à l'abri de tout danger.
- Si votre appareil peut être fermé à clé, gardez-le fermé et gardez la clé dans une place sûre, loin de la portée des enfants. Si vous recyclez un appareil à clé, soyez sûrs que le système de blocage est rendu inutilisable. Cela est très important pour éviter qu'une personne soit coincée dans l'appareil (selon les modèles).

Mise en fonction

Cet appareil a été conçu pour fonctionner à une température ambiante comprise entre -15°C et $+43^{\circ}\text{C}$. Si la température ambiante est plus de $+43^{\circ}\text{C}$, dans l'appareil la température peut augmenter.

Mettez l'appareil loin de toute source de chaleur et de feu. Le placement dans une chambre chaude, l'exposition directe aux rayons du soleil ou près d'une source de chaleur (rechauds, cuisinières, fours), va augmenter la consommation d'énergie et raccourcir la vie du produit.

- Nous vous prions de respecter les suivantes distances minimales:
 - 100 cm des cuisinières à charbons ou à l'huile;
 - 150 cm des cuisinières électriques ou à gaz présentées dans la figure 2.

Assemblez sur le condenseur (dans la partie arrière) les limiteurs livrés avec l'appareil. (figure 3).

- Placez l'appareil dans une place parfaitement plane, sec et bien aérée. Montez les accessoires livrés.

Connection au réseau

Votre appareil est projeté pour fonctionner à une tension monophasique de 220-240V/50 Hz. Avant de brancher l'appareil, nous vous prions de vous assurer que les paramètres du réseau de votre maison (tension, type de courant, fréquence) correspond aux paramètres de fonctionnement de l'appareil.

- Les informations concernant la tension d'alimentation et la puissance absorbée se trouvent sur l'étiquette de marquage qui se trouve dans la partie arrière du congélateur.
- L'installation électrique doit correspondre aux exigences de la loi.
- **La mise à terre de l'appareil est obligatoire. Le fabricant n'a aucune responsabilité pour tout inconvénient produit aux gens, animaux ou biens, qui peuvent surgir après le non-respect des conditions spécifiées.**
- L'appareil est doté avec un cordon d'alimentation et une fiche (type européen, marque 10/16A) avec un contact double de mise à la terre pour sécurité. Si la prise de courant n'est pas du même type que la fiche, nous vous prions de demander un électricien spécialisé de la changer.
- N'utilisez pas des pièces d'extension ou des adaptateurs multiples.

Decouplage de l'appareil

Le découplage de l'appareil doit être possible en débranchant la fiche de la prise de courant ou par un interrupteur de réseau à deux pôles placé avant la prise.

Operation

Avant la mise en fonction, nettoyez l'intérieur de l'appareil (v. Chapitre „Nettoyage“). Après avoir fini cet opération nous vous prions de brancher l'appareil, et régler le bouton du thermostat a une position moyenne. Les voyants verts et rouges du bloc de signalisation doivent s'allumer. Laissez l'appareil fonctionner pendant environ 2 heures sans mettre des denrées dedans. La congélation des denrées fraîches est possible après min. 20 heures de fonctionnement.

Description de l'appareil

(fig. 1)

- 1 - Poignée
- 2 - Porte
- 3 - Carcasse lampe
- 4 - Paniers
- 5 - Panneau separator
- 6 - Blocage
- 7 - Unite de signalisation
- 8 - Écarteur pour le transport

Fonction de congélateur

Réglage de la température

La température du congélateur est réglée par le bouton monte sur le thermostat (fig. 4), position „MAX” étant la position la plus basse. La température réalisée peut varier en fonction des conditions d'utilisation de l'appareil, comme: place de l'appareil, température ambiante, fréquence de l'ouverture de la porte, degré de remplissage avec des denrées du congélateur. La position du bouton du thermostat va changer conformément a ces facteurs. Normalement, pour une température ambiante d'environ 32°C, le thermostat sera réglé dans une position moyenne.

Le système de signalisation se trouve sur la partie frontale du congélateur (fig. 5).
Il contient:

1. Bouton de réglage du thermostat – la température intérieure est réglée .
2. voyant vert – montre que l'appareil est alimenté avec de l'énergie électrique.
3. voyant rouge – détérioration – s'allume si la température dans le congélateur est trop élevée. Le voyant va fonctionner 15-45 minutes après la mise en fonction du congélateur, ensuite il doit s'éteindre. Si le voyant s'allume pendant le fonctionnement, cela signifie l'apparition des défauts.
4. Le témoin orange -fonction congélation rapide- s'illumine lorsque vous réglez la molette sur la position SuperCongélation, ce qui indique que l'appareil se met en mode "congélation rapide". L'appareil sortira automatiquement de ce mode après 50 heures de fonctionnement. Il passera ensuite en mode économique, et le témoin orange s'éteindra.

Les trois voyants donnent des informations concernant le mode d'opération du congélateur.

Conseils pour la conservation des denrées

Le congélateur est employé pour conserver les denrées congelées pour une longue période de temps, ainsi que pour congeler les denrées fraîches.

Un des éléments principaux pour une bonne congélation des denrées est l'emballage. Les conditions principales que l'emballage doit accomplir sont les suivantes: être imperméable à l'air, inerte pour les denrées emballées, résistant à des températures basses, être imperméable pour les liquides, graisse, vapeurs d'eau, odeurs, de pouvoir être lavé. Ces conditions sont accomplies par les types suivants d'emballage: feuille de plastique ou d'aluminium, récipients de plastique et d'aluminium, verres en carton cire ou verres en plastique.

IMPORTANT!

- Pour congeler des denrées fraîches nous vous prions d'employer des paniers livrés avec l'appareil.
- Ne mettez pas dans le congélateur une quantité trop grande de denrées à la fois. La qualité des denrées est la meilleure si elles sont congelées profondément et si rapidement que possible. C'est pourquoi on recommande de ne pas dépasser la capacité de congélation de l'appareil, spécifiée dans la "FICHE DU PRODUIT" .
- Les denrées fraîches ne doivent pas entrer en contact avec les denrées déjà congelées.
- Les denrées congelées que vous avez achetées peuvent être mises dans le congélateur sans devoir régler le thermostat.
- Si la date de congélation n'est pas spécifiée sur l'emballage, nous vous prions de prendre en considération une période de max. 3 mois, comme guide général.
- Les denrées, même partiellement décongelées, ne peuvent pas être recongelées, elles doivent être consommées immédiatement ou préparées et ensuite recongelées.
- Les boissons acidulées ne seront pas gardées dans le congélateur.
- En cas d'interruption du courant, n'ouvrez pas la porte de l'appareil. Les denrées congelées ne seront pas affectées si l'interruption dure moins de 36 heures.

Congélation avec Superfrost

Réglez la molette en position Superfrost. L'indicateur Superfrost s'allumera. Attendez 24 heures. Rangez les aliments frais dans le congélateur. Pour atteindre le niveau de congélation, la nourriture doit être en contact avec les parois internes de l'appareil, au moment où vous y installez les aliments. La fonctionnalité Superfrost sortira automatiquement du mode congélation rapide après 50 heures de fonctionnement.

Important

Lorsque vous réglez la molette sur la position Superfrost, il se peut que le compresseur ne passe pas immédiatement en mode congélation rapide. Ceci est dû au commutateur intégré de mise en route retardée, conçu pour augmenter la durée de vie du bloc réfrigérant.

Vous ne devez pas activer la fonction Superfrost:

- lorsque vous mettez des aliments congelés dans le congélateur;
- lorsque vous congelez plus de 2 kg d'aliments frais par jour.

Dégivrage de l'appareil

- Nous vous conseillons de dégivrer le congélateur au moins deux fois par an, ou quand la couche de glace est trop épaisse.
- La formation de la glace est un phénomène normal.
- La quantité et la rapidité de formation de la glace dépend des conditions ambiantes et de la fréquence d'ouverture de la porte.
- Nous vous conseillons de dégivrer l'appareil quand la quantité de denrées est la moindre.
- Avant le dégivrage, réglez le bouton du thermostat dans une position plus haute, pour permettre aux denrées d'accumuler plus de froid.
- Débranchez l'appareil.
- Enlevez les denrées congelées, enveloppez-les dans plusieurs feuilles de papier et mettez-les dans le réfrigérateur ou dans une place froide. Prenez le panneau de séparateur et mettez-le sous le congélateur dans la direction du tube d'écoulement. Enlevez le bouchon d'obturation. L'eau qui résulte sera collectée dans le plateau spécial (panneau séparateur). Après la fonte de la glace et l'écoulement de l'eau, nous vous prions de l'essuyer avec un chiffon ou une éponge, ensuite séchez bien. Mettez à sa place le bouchon d'obturation (Item. 6) Pour une fonte rapide, laissez la porte ouverte.

N'employez pas des objets métalliques pointus pour enlever la glace.

N'utilisez pas des sècheurs électriques ou d'autres appareils de chauffage pour le dégivrage.

Nettoyage interieur

Avant de commencer le nettoyage, débranchez l'appareil.

- Nous vous recommandons de nettoyer l'appareil quand vous le degivrez.
- Lavez l'interieur avec de l'eau tiede ou vous ajoutez du détergent neutre. N'employez pas du savon, du detergent, essence, ou acetone qui peuvent laisser un odeur persistant.
- Effacez avec un eponge humide et sechez avec un chiffon mou.

Pendant cet opération, evitez l'exces d'eau, pour prevenir son entrée dans l'isolation thermique de l'appareil, qui peut provoquer des odeurs desagreables.

N'oubliez pas de nettoyer aussi la jointe de la porte, especialement les nervures du soufflet avec un chiffon propre.

Nettoyage exterieur

- Nettoyez l'exterieur du congélateur par un eponge mouille dans d'eau chaude avec du savon, effacez avec un chiffon mou et sec.
- Le nettoyage de la partie exterieure du circuit frigorifique (compresseur, condenseur, tubes de connection) sera fait avec une brosse molle ou avec l'aspirateur. Pendant cette opération, nous vous prions de faire attention de ne pas deformer les tubes ou détacher les cables.

N'utilisez pas des poudres abrasives!

- Après avoir fini le nettoyage, mettez les accessoires a leur place et branchez l'appareil.

Remplacage de la lampe interieure

Si la lampe est grillée, débranchez l'appareil. Détachez l'ornement de la lampe. Assurez-vous que la lampe est vissée correctement. Branchez l'appareil. Si la lampe ne s'allume pas, remplacez-la avec une autre, modele E14-15W. Mettez l'ornement de la lampe à sa place.

La lampe (s) utilisé dans cet appareil ne convient pas pour l'éclairage de la salle de ménage. Le but visé par cette lampe est d'aider à l'utilisateur de placer les aliments dans le réfrigérateur / congélateur d'une manière sûre et confortable. Les voyants utilisés dans cet appareil doivent résister aux conditions physiques extrêmes telles que des températures inférieures à -20°C.

Guide pour trouver les défauts

L'appareil ne fonctionne pas.

- L'alimentation électrique a été interrompue.
- La fiche du cable d'alimentation n'est pas bien introduite dans la prise de courant.
- Le fusible a saute.
- Le thermostat est en position „OFF”.

Les températures ne sont pas assez basses (le voyant rouge s'allume).

- Les denrées empechent la porte de se fermer.
- L'appareil n'est pas place correctement.
- L'appareil est place trop près d'une source de chaleur.
- Le bouton thermostat n'est pas dans la position correcte.

Formation excessive de glace

- La porte n'a pas été bien fermée.

L'eclairage interieure ne fonctionne pas

- La lampe est grillée. Débranchez l'appareil, detachez la lampe et remplacez-la avec une nouvelle lampe.

Les suivantes ne sont pas des défauts:

Possibles cliquetis qui viennent du produit: circulation de l'agent frigorifique dans le systeme.

Bruits pendant le fonctionnement

Pour maintenir la température à la valeur que vous avez réglée, le compresseur de l'appareil se met en marche périodiquement.

Les bruits qu'on entend dans cette situation sont normaux.

Ils se réduisent à mesure que l'appareil atteint la température de fonctionnement.

Le bruit de bourdonnement est fait par le compresseur. Il peut devenir un peu plus fort quand le compresseur démarre.

Le bruit de cliquetis de l'agent frigorigère qui circule dans les tubes de l'appareil, sont des bruits normaux.

Attention!

N'essayez jamais de réparer vous-mêmes l'appareil ou ses parties électriques composantes. Toute réparation effectuée par une personne qui n'est pas autorisée est dangereuse pour l'utilisateur et peut avoir comme résultat la perte de la garantie.

Recyclage



Ce produit est marqué du symbole du tri sélectif, relatif aux déchets d'équipements électriques et électroniques. Cela signifie que ce produit doit être pris en charge par un système de collecte sélectif conformément à la directive européenne 2002/96/CE, afin de pouvoir être recyclé ou démantelé dans le but de réduire tout impact sur l'environnement. Attention les produits électroniques n'ayant pas fait l'objet d'un tri sélectif sont potentiellement dangereux pour l'environnement et la santé humaine en raison de la présence potentielle de substances dangereuses.

Поздравяваме Ви за вашия избор!

Фризера ракла който току що закупихте е нашето най-ново постижение от нашата линия от продукти. Той има нов и подобър дизайн и е изработен в съответствие на Европейските и национални стандарти, които ви гарантират неговата работа и безопасност. Освен това използвания хладилен агент R600a, не замърсява и не е опасен за озоновия слой. За по-доброто използване на вашия апарат, ние ви препоръчваме даа прочетете внимателно цялата информация съдържаща се в това ръководство на потребителя.

Инструкции за рециклиране на стар апарат

Ако с новия закупен от вас апарат заменят стар уред, ние ви предупреждаваме да вземете в предвид следните неща:

- Стария уред не е толкова ценен като скрап. При неговото изхвърляне ви ще предпазите от замърсяване на околната среда и ще позволите да се рециклират ценни първични материали.
- Вие можете да рециклирате вашия стар уред изпълнявайки следните стъпки:
 - изключете апарата от контакта на електрическата мрежа;
 - свалете охранващия кабел (отрежете го);
 - свалете ключалките от вратата (ако има такива) за да предотвратите затварянето на дете в него докато си играе и това да застраши неговия живот.
- Хладилните апарати съдържат изолационни материали и хладилна течност които изискват по-специално рециклиране.

**Този уред не е предназначен за употреба от хора с физически, сетивни и умствени проблеми както и от хора без опит и познания, освен ако те не са стриктно инструктирани от компетентно лице относно работата и мерките за безопасност.
Не оставяйте децата си да играят с уреда без надзор.**

Ръководство за ползване

Рециклиране на опаковката

ВНИМАНИЕ!

Не позволявайте на децата да си играят със опаковъчните материали или със части от тях. Има опасност от задушаване със огънатите кутии и със пластмасовите пликове.

За да се предпази уреда от повреда по време на транспорта, всички материали от които са изработени неговата опаковка са изработени в съответствие с изискванията за рециклиране и то от гледна точка за опазване на околната среда.

От гледна точка за опазване на околната среда ние ви съветваме да предоставите опаковъчните материали за рециклиране.

ВАЖНО!

Преди да пуснете апарата в работа прочетете внимателно и изцяло тези инструкции. Те съдържат важна информация относно монтажа, използването и поддържането на апарата.

Производителя се освобождава от всякаква отговорност ако информацията в този документ не е взета в предвид и не е са спазени предупрежденията съдържащи се в нея. Моля запазете това ръководство на потребителя на сигурно място за да може то да ви е подръка ако имането е необходимо от информацията съдържаща се в него и го предайте на следващите потребители ако продадете уреда.

ВНИМАНИЕ!

Този уред трябва да бъде използван само за целта за която е предназначен, (за домашно ползване), във подходящо помещение, далеч от дъжд, влага или други атмосферни влияния.

Инструкции за транспорт

Ние ви съветваме транспорта на апарата да се извършва само във изправено вертикално положение. Опаковката трябва да не бъде повредена по време на транспорта. Преди да включите уреда в работа оставете го най-малко 4 часа в изправено положение.

Транспорта на уреда е разрешен и хоризонтално положение в съответствие с маркировката на опаковката. Ако това е направено в това положение препоръчва се да оставите уреда най-малко 4 часа преди да бъде включен за да позволите на хладилния агент в хладилната инсталация да се оттече и успокой.

Ако не спазите тези инструкции това може да даде като резултат повреда на компресора и да направи невалидни вашите права на гаранция.

Предупреждение и общи съвети

- Не включвайте щепсела на апарата, ако вие сте забелязали някаква повреда.
- Поправката на апарата трябва да се извършва само от квалифициран специалист.
- При следните условия и ситуации моля изключвайте апарата от захранващата електрическа мрежа.
- когато обезскрежавате напълно апарата;
- когато вие почиствате апарата.
- За да изключете апарата, теглете щепсела, а не захранващия кабел!**
- Оставете едно минимално разстояние между апарата и стената там където е вече монтиран.
- Не стъпвайте върху апарата.
- Не разрешавайте на децата да играят или да влизат вътре в апарата.
- Никога не използвайте електрически уреди вътре в апарата за обезскрежаването му.
- Не използвайте апарата близо до нагревателни уреди, кухненски печки или други източници на топлина и до огън.
- Не оставяйте вратите отворени за дълго време, ако това не е необходимо да поставите или извадите храна.
- Не оставяйте храни във апарата когато той не е включен и не работи.
- Не съхранявайте вътре продукти съдържащи възпламеняващи се или експлозивни газове.
- За предпазване на уреда по време на складиране и транспорт, той е осигурен с разделители между вратата и корпуса (в предната и задната част). Тези разделители се свалят преди пускане на уреда в действие.

- Прекомерното натрупване на лед върху рамката или решетките трябва да се отстранява редовно с помощта на предоставената пластмасово стъргало. Не използвайте никакви метални предмети за сваляне на леда.

Наличието на тези наслагани от лед пречи на правилното затваряне на вратата.

- Не съхранявайте газирани напитки (сокове, минерална вода, шампанско и др.) във фризера: бутилките могат да експлодират! Не замразявайте напитки във пластмасови бутилки.

- Не ядете кубчетата лед или леда веднага когато ги извадите от отделението на фризера защото те може да предизвикат изгаряния от охлаждане.

- Никога не пипайте студените метални части или замразените храни ако вашите ръце да мокри, поради това че вашите ръце бързо ще замръзнат и залепнат по много студените повърхности.

Ръководство за ползване

- Ако вие няма да използвате вашия уред за няколко дни, ние не ви препоръчваме да изключвате хладилника.

Ако вие няма да използвате уреда за дълъг период от време моля извършете следното:

- изключете щепсела от електрическата мрежа;
- изпразнете хладилника и фризера;
- обезскрежете го и го почистете;
- оставете вратата отворена за да избегнете неприятните миризми.

- При повреда в захранващия кабел, той трябва да бъде подменен от производителя, сервизен представител или друг квалифициран специалист с цел да се избегне всякакъв риск.

- Ако вашия апарат има ключалка и се заключва дръжте го заключен и пазете ключа на сигурно място далеч от достъпа на деца. Ако вие депонирате и изхвърляте за рециклиране апарата направете така че ключалката да не може да работи. Това е твърде важно за да се предпазят децата да не се заключат вътре в апарата и да изложат на опасност своя живот.

Монтаж на уреда

Вашият уред е произведен за работа в среда с температура между -15°C и $+43^{\circ}\text{C}$.

Ако околната температура превиши $+43$ градуса по Целзий то във вътрешността на апарата температурата може да нарастне. За тази цел ние ви препоръчваме да поставите уреда във помещение далеч от възможност да го вали дъжд, да бъде подложен на влага или други атмосферни влияния. Уреда трябва да бъде поставен далеч от какъвто и да е източник на топлина или огън.

Монтажа в топла стая, излагането му на директни слънчеви лъчи или поставянето на уреда близо до източник на топлина (нагреватели, готварски печки, фурни), увеличава консумацията на енергия и съкращава неговия живот.

Когато поставяте уреда във вашия дом моля спазете следните минимални разстояния:

- 100 см от печки работещи със въглища или нафта;
- 150 см от електрически печки и/или газови печки.

Моля осигурете свободна циркулация на въздуха около уреда като спазете разстоянията които са посочени като монтирате доставените части за осигуряване на това разстояние. (Фигура номер 2).

Моля спазете необходимото място за кондензатора (намиращ се отзад). (Фигура номер 3).

- Пода или опората на която ще бъде монтиран апарата трябва да бъде много равен, и мястото да бъде сухо и с добра вентилация.
- Моля поставете доставените принадлежности.

Свързване с електрическата мрежа

Вашият уред е произведен да работи с монофазно напрежение от 220-240/50 Hz. Преди да включите уреда моля уверете се че параметрите на електрическата мрежа във вашия дом (напрежение, тип на тока, честота) отговарят с работните параметри на уреда.

- Информацията отнасяща се до захранващото напрежение и консумираната мощност са посочени на табелката с техническите данни поставена на задната страна на уреда.

- Електрическият монтаж трябва да отговаря на нормативните разпоредби.

- Включването на уреда във електрическата мрежа без да се заземи е нарушение на наредбата за безопасност.

Производителя не носи никаква отговорност за повреди или нараняване на хора, животни или повреда на храни, предизвикани от това че не са били спазени специфицираните условия.

- Уреда е снабден със захранващ кабел и щепсел (Европейски тип, маркиран 10/16 А) с двойни контакти за заземяване (тип Шуко).

Ако щепсела не е от същия тип както контакта, моля изискайте специализиран техник да го подмени.

- Ние ви съветваме да не включвате уреда във захранване предоставяно от удължители или адаптори. Ако е необходимо монтирайте по дълъг захранващ кабел който има същите параметри със този който е доставен със продукта.

Ръководство за ползване

Изключване от електрическата мрежа

Изключването може да се извърши като извадите щепсела от контакта или двуполусен изключвател поставен преди електрическия контакт.

Работа с апарата

Преди да пуснете в работа апарата, почистете го отвътре (виж раздела "почистване").

След като завършите тази операция моля включете щепсела в електрическата мрежа и поставете термостата в средно положение. Зеления и червения светодиод (LED) в блока за сигнализация трябва да светнат. Оставете апарата да работи около 2 часа без да поставяте храна във него. Замразяването на прясна храна е възможно да се извършва след минимум 20 часа работа .

Описание на уреда

(фигура номер 1)

- 1-Дръжка на вратата
- 2-Врата
- 3-Място за лампата
- 4-Кошница
- 5-Чекмедже
- 6-Ключалка
- 7-Термостатна кутия
- 8-Транспортно приспособление

Работа с фризера

Настройка на температурата

Температурата на фризера се настройва посредством ръчката на копчето закрепено на термостата (виж фигура номер 4).

Положението "MAX" е за достигане на най-ниската температура.

Достигнатата температура може да се променя в зависимост от условията на ползване на уреда като например: мястото на поставяне на апарата, околната температура, честотата на отваряне на вратата, количеството заредена храна във фризера. Положението на копчето на термостата ще зависи от тези фактори. Нормално за околна температура около 32°C, термостата ще бъде поставен на средно положение.

Системата за сигнализация е монтирана на предния край на фризера (виж фигура номер 5).

Тя включва:

1. Копче за настройка на температурата-настройва се вътрешната температура във фризера.
2. Зелен светодиод (LED) - показва че апарата е захранен с електрическа енергия.
3. Червен светодиод (LED) – повреда – когато този светодиод (LED) свети, то това означава че температурата във фризера е твърде висока. Светодиода (LED) ще свети 15-45 минути след първоначалното включване в работа на фризера и след това ще загасне. Ако светодиода (LED) светне по време на работа на фризера това означава че има дефект.

4. Оранжев бутон - бързо замразяване активирано – когато настроите копчето на позиция „суперзалеждане“ оранжевият индикатор се включва, показвайки че уредът е навлязъл в режим „бързо замразяване“. Прекъсването на този режим става автоматично след 50 часа, при което уредът започва работа в икономичен режим, а оранжевият индикатор изгасва. Трите светодиоди (LED) дава информация за режима на работа на фризера.

Ръководство за ползване

Предупреждение за съхранение на храната

Фризера е предназначен за съхранение на замразена храна за дълъг период от време, както също и за замразяване на храна.

Един от най-важните елементи за сигурното и успешно замразяване на храна е нейното пакетиране.

Главното условие което пакетирането трябва да изпълнява е следното: да бъде херметично, да изолира и да бъде неутрално към храната която е пакетирана, да издържа на ниски температури, да бъде непроницаемо към течностите, мазнините, водните пари, миризмите и да може да се мие.

Тези условия се изпълняват от следните типове материали за пакетиране: пластмасово или алуминиево фолио, пластмасови или алуминиеви съдове, восъчни картонени чаши или пластмасови чаши.

ВАЖНО!

-За да замразявате прясна храна моля ползвайте кошниците на апарата.

-Не поставяйте във фризера много голямо количество храна на един път. Качеството на храната се запазва по добре ако е дълбоко замразена и то най-бързо възможно. Ето защо ние ви предупреждаваме да не превишавате капацитета за замразяване на апарата посочен във таблицата с техническата характеристика.

-Пресните храни не трябва да влизат в контакт със вече замразените храни.
-Замразената храна закупена от магазина може да бъде поставена във фризера без да е необходимо да променят настройката на термостата.
-Ако данните за замразяване на са посочени на опаковката моля приемоте че периода за съхранение е максимум 3 месеца (като общо правило).
-Която и да е храна даже и частично размразена не трябва да се замразява отново, и трябва да се консумира веднага или сготви и тогава да се замрази отново.
-Газирани напитки не трябва да се поставят във фризера.
-В случай на прекъсване на електрическия ток не отваряйте вратата на уреда. Замразената храна няма да бъде засегната ако прекъсването на тока е равно или по-късо от 36 часа.

Замразяване с функция „Суперзамразяване“

Поставете копчето на позиция "суперзамразяване" Лампичката на функция суперзамразяване светва.

- Изчакайте 24 часа.
- Поставете прясната храна във фризера. За да се получи бързо замразяване, храната трябва да е в контакт с вътрешните стени при поставянето ѝ във фризера.
- Функция „суперзамразяване“ автоматично изключва процеса на бързо замразяване след 50 часа.

Важно

При преместването на копчето на позиция "суперзамразяване", компресорът може да не се включи в следващите няколко минути. Причината е във вградения забавящ превключвател, който има цел удължаване оперативния живот на хладилника.

Не бива да включвате функция "суперзамразяване":

- при поставяне на замразена храна във фризера;
- при замразяване на количества до 2 кг прясна храна дневно.

Ръководство за ползване

-Ние ви препоръчваме да обезскрежавате отделението на фризера най-малко два пъти в годината или когато образувалия се лед е твърде дебел.

-Натрупването на лед е нормален феномен.

-Количеството и честотата за натрупване на лед зависи от условията на околната среда и от честотата на отваряне на вратата.

-Натрупването на лед и специално във горната част на отделението е природен феномен и това не нарушава добрата работа на уреда.

-Ние ви съветваме да обезскрежавате уреда когато количеството на храната е минимално.

Преди да започнете обезскрежаването поставете термостата за настройка на температурата на най-високото положение така че храната да се охлади колкото се може повече.

-Изключете щепсела на уреда.

-Извадете замразената храна и я опаковайте във няколко пласта листове от хартия и я поставете на студено място. Вземете разделящия панел и го поставете под фризера по посока на отвеждащата тръба. Извадете тапата за затваряне на отвора. Водата в резултат на това ще бъде събрана във специалния съд (разделящия панел). След като се разтопи леда и премахнете водата, моля подсушете със кърпа или гъба. Поставете тапата за затваряне на отвора обратно на нейно място. (виж фигура номер 6).

За по-бързото топене на леда моля оставете вратата отворена.

Не използвайте остри метални предмети за да стържете леда, поради това че вие рискувате да пробие изпарителя.

Не използвайте сешуари за коса или други нагревателни електрически уреди за обезскрежаването.

Почистване от вътре

Преди да започнете операцията по почистването извадете щепсела на уреда от контакта.

- Препоръчва се вие да почистите уреда когато той е обезскрежен.
- Измийте вътрешността с хладка вода в която сте разтворили неутрален миещ препарат. Не използвайте сапун, миещи препарати, нафта или ацетон които могат да оставят силна миризма.
- Избършете със влажна гъба и подсушете със суха мека кърпа.

По време на почистването избягвайте да използвате прекалено много вода за да предпазите тя да не попадне във термичната изолация на уреда, което може да предизвика отделянето на неприятни миризми.

Бъдете внимателни да предотвратите вода да попадне във отвора зад лампите!

След като завършите почистването,

включете щепсела на уреда в електрическия контакт.

Не забравяйте да почистите уплътненията и специално уплътняващите повърхности с помощта на чиста кърпа.

Почистване от вън

- Почистете уреда от вън използвайки гъба натопена във топла сапунена вода и след това подсушете със суха мека кърпа.
- Почистването на външните хладилни части (компресор, кондензатор, съединяващите тръби) трябва да се извършва използвайки мека четка или прахосмукачка. По време на тази операция моля вземете мерки да не нараните тръбите или да дърпате навън кабелите.

Не използвайте полираща пудра или абразивни материали!

- След като завършите почистването, приборете принадлежностите на техните места и включете щепсела на уреда в електрическия контакт.

Ръководство за ползване

Ръководство за откриване на повреди

В случай че вашия уред не работи моля проверете дали:

- Няма прекъсване на електрическото захранване.
- Дали щепсела на захранващия кабел не е включен неправилно в електрическия контакт.
- Че предпазителя не е изгорял.
- Че термостата не е поставен на положение изключено ("OFF").

Че температурата не е достатъчно ниска. (червения свето диод светне)

- Че вратата не е затворена правилно.
- Има поставена храна която пречи на вратата да се затвори.
- Уреда не е поставен на неподходящо място.
- Уреда е поставен твърде близо до нагревателен уред.
- Че термостата не е поставен на правилното положение.

Твърде много лед се натрупва във отделението на фризера.

- Вратата не е затворена правилно. Вратата не може да се затвори плътно поради това че и пречат пакети с храна.

Следното не е са дефекти

- Ако червения свето диод светне за кратко време. Това може да бъде предизвикано от поставянето на храна във отделението на фризера или от топъл въздух поради това че вратата е оставена отворена за дълго време.
- Възможно разклащане или пукане идващо от продукта: следствие от циркулацията на хладилния агент във системата.

Подмяна на лампата на вътрешното осветление

Ако лампата на вътрешното осветление изгори, изключете апарата от електрическата мрежа. Извадете навън капачката на лампата. Проверете дали лампата е завита добре. Включете апарата още един път. Ако лампата не свети пак, подменете я с друга нова от модела E14-15W. Поставете обратно капачката на лампата.

Лампата(ите) в този уред не са подходящи за осветление в битови помещения.

Предназначението на тази лампа е да помага на потребителя да оставя хранителни продукти в хладилника/фризера по безопасен и удобен начин.

Лампите, използвани в този уред, трябва да издържат на екстремни физически условия като температура под -20°C.

Шум по време на работа на апарата

За да се поддържа температурата на стойността която вие сте задали, то компресора на уреда се включва периодично.

Шума който се чува при това е нормално. Това се извършва до тогава докато уреда достигне работната температура.


Бръмчащ шум се създава от компресора. Той може да бъде малко по-силен когато компресора стартира работата си. Шум от кипене и бълбукане се чува при протичане на хладилния агент по тръбите на уреда, и това са нормални работни шумове.

- Шум от пукане могат да се чуват по време на обезскрежаването, когато стените на уреда се разширяват или свиват от промяната на температурата и това предизвиква този шум.

ВНИМАНИЕ!

Никога не извършвайте поправка на уреда или неговите електрически компоненти сами. Всяка поправка извършена от неквалифициран работник е опасно за потребителя и може да доведе до отпадане на гаранциите.



Символът  върху продукта или опаковката означава, че продуктът не бива да се третира като битови отпадъци. Вместо това трябва да се предаде в цъответния център за рециклиране на електрически и електронни уреди. Изхвърляйки този продукт по правилен начин, вие спомагате за предотвратяване на потенциални негативни последици за околната среда и човешкото здраве, които биха били причинени от неправилното изхвърляне на този продукт. За повече информация относно рециклирането на този продукт, моля обърнете се към местните власти, службата за събиране на битови отпадъци или магазина, където сте закупили продукта.

Parabéns pela sua escolha!

O congelador horizontal que adquiriu faz parte da gama de produtos BEKO e representa uma conjugação harmoniosa entre a técnica de refrigeração com a concepção estética. Ele possui um novo e atractivo design e foi concebido de acordo com os padrões nacionais e europeus que garantem as características de funcionamento e de segurança. Ao mesmo tempo, o aparelho de refrigeração utilizado, o R600a, é amigo do ambiente e não afecta a camada de ozono.

Para tirar o máximo do seu congelador, aconselhamo-lo a ler cuidadosamente a informação contida nessas instruções do utilizador.

Conselhos para a reciclagem do seu equipamento velho

Se o seu equipamento recém-adquirido for substituir um equipamento mais velho, deve ter em atenção alguns aspectos. Os equipamentos velhos não são sucatas sem valor. A sua eliminação, enquanto preserva o ambiente, permite a recuperação de matérias-primas importantes.

Inutilize o seu equipamento velho:

- desligue o equipamento da corrente;
- remova o cabo de alimentação (corte-o);
- remova os eventuais trincos das portas para evitar que as crianças, ao brincarem, fiquem presas dentro dele e ponham em perigo as suas vidas.

Os equipamentos de refrigeração contêm materiais isolantes e produtos de refrigeração que necessitam de uma reciclagem apropriada.

As peças sobressalentes originais serão fornecidas durante 10 anos a partir da data da compra.

Este aparelho não deve ser utilizado por pessoas com capacidades reduzidas quer a nível físico, psíquico ou mental ou com falta de experiência e conhecimento, excepto quando supervisionados ou se lhes foram dadas instruções relacionadas com a utilização do aparelho, por quem responsável pela sua segurança.

As crianças devem ser supervisionadas para se assegurar que não brincam com o aparelho.

Reciclagem da Embalagem

AVISO!

Não permita que as crianças brinquem com a embalagem nem com partes dela. Há risco de asfixia com as partes de cartão ondulado e de película plástica.

Para chegar até si em boas condições, o equipamento foi protegido com uma embalagem adequada. Todos os materiais da embalagem são compatíveis com o meio ambiente e recicláveis. Por favor, ajude-nos a reciclar a embalagem para a protecção do meio ambiente!

IMPORTANTE!

Antes de colocar o equipamento a funcionar, leia total e cuidadosamente estas instruções. Elas contêm informações importantes referentes à instalação, utilização e manutenção do equipamento.

O fabricante está isento de qualquer responsabilidade se as informações contidas nesse documento não forem observadas. Guarde as instruções num local seguro e de fácil acesso para o caso de necessitar delas. Elas também podem ser úteis para o próximo utilizador, se houver.

ATENÇÃO!

Este equipamento só deve ser utilizado para o fim a que se destina (uso doméstico), em locais apropriadas, longe da chuva, humidade ou outras condições climáticas.

Instruções de transporte

O equipamento deve ser transportado, tanto quanto possível, apenas na posição vertical. A embalagem deve estar em perfeitas condições durante o transporte.

Se durante o transporte o equipamento for colocado na posição horizontal (apenas de acordo com as marcas na embalagem), é aconselhável que, antes de ser posto a funcionar, seja deixado em repouso por 4 horas para permitir a estabilização do circuito de refrigeração.

A não observância dessas instruções pode causar a avaria do motor compressor e a anulação da sua garantia.

Avisos e conselhos gerais

- Não ligue o equipamento se notou alguma avaria.
- As reparações devem ser feitas apenas por pessoal qualificado.
- Nas seguintes situações, por favor, desligue o equipamento da tomada:
 - quando descongelar completamente o equipamento;
 - quando limpar o equipamento.
- Para desligar o equipamento, puxe pela ficha e não pelo cabo!**
- Assegure o espaço mínimo entre o equipamento e a parede contra a qual ele está colocado.
- Não suba em cima do equipamento.
- Não permita que as crianças brinquem ou entrem dentro do equipamento.
- Nunca utilize aparelhos eléctricos dentro do congelador para a descongelação.
- Não use o equipamento próximo de aparelhos de aquecimento, fogões ou outras fontes de calor e fogo.
- Não deixe a porta do congelador aberta por mais tempo que o necessário quando for colocar ou tirar alimentos.
- Não deixe alimentos dentro do equipamento se ele não estiver a funcionar.
- Não coloque dentro dele produtos que contenham gases inflamáveis ou explosivos.
- Não coloque no congelador bebidas gaseificadas (sumo, água com gás, champanhe, etc.) a garrafa pode explodir! Não congele bebidas em garrafas plásticas.
- Não consuma cubos de gelo ou gelados imediatamente após tê-los retirado do congelador, porque podem causar "queimaduras de frio".
- Nunca toque nas partes metálicas frias ou nos alimentos congelados com as mãos molhadas; as suas mãos podem congelar-se rapidamente nas superfícies muito frias.
- Para a protecção do equipamento durante o armazenamento e o transporte, o mesmo é fornecido com espaçadores entre a porta e o compartimento (no lado frontal e posterior). Esses espaçadores deverão ser removidos antes de ligar o equipamento.

- O depósito excessivo de gelo na estrutura e nos cestos deve ser periodicamente removido com a espátula de plástico fornecida. Não use qualquer peça metálica para remover o gelo. A presença desta acumulação de gelo impossibilita o fechamento apropriado da porta.

- Se não for utilizar o seu equipamento por alguns dias, não é aconselhável que o desligue. Se não for utilizá-lo por um período mais longo, por favor, proceda da seguinte forma:

- desligue o equipamento;
- esvazie o congelador;
- descongele-o e limpe-o;
- deixe a porta aberta para evitar a formação de odores desagradáveis.

- Se o cabo fornecido estiver danificado, deve ser substituído pelo fabricante, pelo seu agente de assistência ou pessoas igualmente qualificadas para evitar perigo.

- Se o seu equipamento tiver uma fechadura, mantenha-o fechado e guarde a chave num lugar seguro, longe do alcance das crianças. Se estiver a se desfazer de um equipamento com fechadura, certifique-se de que a deixa inutilizada. Isto é muito importante para evitar que as crianças fiquem presas dentro dele, o que pode causar a morte.

Instalação

Este produto foi concebido para operar numa temperatura ambiente entre -15°C e $+43^{\circ}\text{C}$.

Se a temperatura ambiente estiver acima dos $+43^{\circ}\text{C}$, a temperatura no interior do equipamento pode aumentar.

Instale o equipamento longe de qualquer fonte de calor e fogo. Se o colocar num compartimento quente, a exposição directa aos raios solares ou a proximidade a fontes de calor (aquecedores, fogões, fornos), aumentará o consumo de energia e diminuirá a vida útil do produto.

- Por favor, observe as seguintes distâncias mínimas:

- 100 cm de fogões a carvão ou a óleo;
- 150 cm de fogões eléctricos ou a gás.

- Assegure-se de que haja livre circulação do ar em volta do equipamento, observando as distâncias mostradas no Item 2.

Monte o condensador nos separadores plásticos fornecidos (na parte de trás). (Item 3).

- Coloque sempre o equipamento num local seco e bem ventilado.

Monte os acessórios fornecidos.

Ligação eléctrica

O seu equipamento é para ser operado com uma voltagem monofásica de 220-240 V/50 Hz. Antes de colocar a ficha do equipamento na tomada, certifique-se de os parâmetros das tomadas na sua casa (voltagem, tipo de corrente, frequência) estão em conformidade com os parâmetros de operação do equipamento.

- A informação referente à voltagem eléctrica e a energia absorvida é fornecida na placa de marcação colocada na parte de trás do congelador.

- A instalação eléctrica deve estar em conformidade com os requisitos legais.

- **A ligação à terra do equipamento é obrigatória. O fabricante não se responsabiliza por quaisquer danos a pessoas, animais ou bens que possam advir da não observação das condições específicas.**

- O equipamento está munido de um cabo de alimentação e de uma ficha (modelo europeu, marcada 10/16A) com duplo contacto de terra para segurança. Se a tomada não for compatível com a ficha, por favor, peça a um electricista especializado para trocá-la.

- Não utilize extensões nem adaptadores múltiplos.

Desligar

O desligamento pode ser possível retirando a ficha da tomada ou por meio de um interruptor de tomadas de dois pólos colocado antes da tomada.

Funcionamento

Antes de colocá-lo em funcionamento, limpe o interior do equipamento (ver capítulo "Limpeza").

Após terminar esta operação, por favor ligue o equipamento, ajuste o botão do termóstato para uma posição intermédia. Os LEDs verde e vermelho no bloco de sinalização devem acender. Deixe primeiro o equipamento funcionar durante cerca de 2 horas, antes de colocar os alimentos dentro dele.

O congelamento de alimentos frescos é possível após o mínimo de 20 horas de funcionamento.

Descrição do equipamento

(Item. 1)

1. Manípulo da porta
2. Porta
3. Suporte da lâmpada
4. Cestos
5. Tabuleiro
6. Suporte da fechadura
7. Caixa do termóstato
8. Espaçador para transporte

Funcionamento do congelador

Ajuste da temperatura

A temperatura do congelador é ajustada por através do botão encaixado no termóstato (item 4), posição „MAX”, que é a temperatura mais baixa.

As temperaturas atingidas podem variar de acordo com as condições de utilização do equipamento, tais como: localização do equipamento, temperatura ambiente, frequência de abertura da porta, quantidade de alimentos colocados no congelador. A posição do botão do termóstato será alterada de acordo com esses factores. Normalmente, para uma temperatura ambiente de aproximadamente 32°C, o termóstato será ajustado para uma posição intermédia.

O sistema de sinalização está colocado na parte da frente do congelador (Item 5).

Ele inclui:

1. Botão de ajuste do termóstato - a temperatura interior é ajustada.
2. LED verde - mostra que o equipamento está alimentado com energia eléctrica.
3. LED vermelho - perigo - acende se a temperatura no congelador estiver muito alta. O LED acenderá por 15-45 minutos após o início do funcionamento do congelador; depois disso, deve apagar. Se o LED acender durante o funcionamento, significa que ocorreu algum problema.
4. LED laranja - função de congelação rápida activada - ao empurrar o botão para a posição de Super-congelação o led laranja acende, mostrando que o equipamento entrou no modo de "congelação rápida". A saída deste modo é efectuada automaticamente após 50 horas, depois o equipamento passa a funcionar no modo económico e o led laranja apaga-se.

Os três LEDs informam sobre o modo de funcionamento do congelador.

Conselhos para a conservação dos alimentos

O congelador é destinado à manutenção de alimentos congelados por um longo período de tempo, bem como para a congelação de alimentos frescos.

Um dos principais elementos para uma congelação com sucesso de alimentos é a embalagem.

As principais condições que a embalagem deve reunir são as seguintes: ser hermética, manter-se imóvel em relação aos alimentos embalados, resistir às baixas temperaturas, ser à prova de líquidos, gordura, vapor d'água, cheiros e ser lavável.

Estas condições são plenamente preenchidas pelos seguintes tipos de embalagens: película plástica ou papel de alumínio, recipientes plásticos ou de alumínio, vasilhas de cartão encerado ou plásticas.

IMPORTANTE!

- Para congelar os alimentos frescos, por favor, utilize os cestos do equipamento fornecidos.
- Não coloque grandes quantidades de alimentos de uma vez só dentro do congelador. É mantida uma melhor qualidade dos alimentos se eles forem profundamente congelados o mais rápido possível. Por isso aconselha-se que não exceda a capacidade de congelação do equipamento, especificada na " FICHA DO PRODUTO".
- Os alimentos frescos não devem ficar em contacto com os alimentos já congelados.
- Os alimentos congelados que comprou podem ser colocados no congelador sem precisar de ajustar o termóstato.
- Se a data de congelação não estiver mencionada na embalagem, por favor, considere um período máximo de 3 meses, como uma orientação geral.
- Os alimentos, mesmo os parcialmente descongelados, não podem ser congelados novamente e devem ser consumidos imediatamente ou cozinhados para depois serem recongelados.
- As bebidas gaseificadas não poderão ser guardadas no congelador.
- No caso de uma falha eléctrica, não abra a porta do equipamento. Os alimentos congelados não deverão ser afectados se a falha durar menos de 36 horas.

Congelação com Superfrost

- Coloque o botão na posição de Superfrost. A lâmpada de Superfrost acende-se.
- Aguarde 24 horas.
- Coloque alimentos frescos no congelador. Para congelar rapidamente, o alimento deve estar em contacto com as paredes interiores quando é colocado no congelador.
- A funcionalidade de Superfrost desactiva o procedimento de congelação rápida após 50 horas.

Importante

Quando colocar o botão na posição de Superfrost, o compressor pode não ligar por alguns minutos. Isto é devido ao comutador de aumento-atraso integrado que destina-se a aumentar a vida útil da unidade de refrigeração.

Não deve ligar a função de Superfrost:

- ao colocar alimento congelado no congelador;
- ao congelar até cerca de 2 kg de alimentos frescos diariamente.

Descongelação do equipamento

- Aconselhamo-lo a descongelar o equipamento pelo menos duas vezes por ano ou quando a camada de gelo tiver uma espessura excessiva.
- A acumulação de gelo é um fenómeno normal.
- A quantidade e a rapidez da acumulação de gelo dependem das condições ambientais e da frequência de abertura da porta.
- Aconselhamo-lo a descongelar o equipamento quando a quantidade de alimentos congelados for mínima.
- Antes de descongelar, ajuste o botão do termóstato para uma posição mais alta, para que os alimentos acumulem mais frio.
- Desligue o equipamento.
- Retire os alimentos congelados, embrulhe-os em várias folhas de papel e coloque-os no frigorífico ou num lugar frio.

Retire o painel separador e coloque-o sob o congelador na direcção do tubo de escoamento. Retire a tampa de obstrução. A água que surgir será recolhida no tabuleiro especial (painel separador).

Após o gelo derreter e do escoamento da água, por favor, limpe com um pano ou uma esponja e depois seque bem. Volte a colocar a tampa de obstrução no seu lugar. (Item. 6) Para uma descongelação rápida, por favor, deixe a porta aberta.

Não use objectos metálicos pontiagudos para remover o gelo.

Não use secadores de cabelos ou outros aparelhos de aquecimento eléctricos para a descongelação.

Limpeza do interior

Antes de começar a limpeza, desligue a ficha do equipamento da tomada.

- É aconselhável limpar o equipamento quando o descongelar.
- Lave o interior com água tépida à qual pode adicionar um pouco de detergente neutro. Não utilize sabão, detergente, gasolina ou acetona que podem deixar um cheiro forte.

- Limpe com uma esponja húmida e seque com um pano macio.

Durante essa operação, evite o excesso de água, para prevenir que entre dentro do isolamento térmico do equipamento, o que poderia causar odores desagradáveis.

Não se esqueça de limpar também o vedante da porta, especialmente as reentrâncias dos foles, com um pano limpo.

Limpeza do exterior

- Limpe o exterior do congelador com uma esponja embebida em água morna e sabão, limpe com um pano macio e seque.

- A limpeza da parte exterior do circuito de refrigeração (motor compressor, condensador, tubos de ligação) deverá ser feita com uma escova macia ou aspirador. Durante esta operação, por favor, tenha cuidado para não torcer os tubos ou desprender os cabos.

Não utilize esfregões ou materiais abrasivos!

- Após terminar a limpeza, recoloque os acessórios nos seus lugares e ligue o equipamento.

Substituição da lâmpada interior

Se a lâmpada fundir, desligue o equipamento da alimentação eléctrica. Retire a armação da lâmpada. Certifique-se que a lâmpada está correctamente enroscada. Ligue de novo o equipamento. Se a lâmpada continuar a não acender, substitua-a por outra do modelo E14-15W. Volte a colocar a armação da lâmpada no seu lugar.

A(s) lâmpada(s) usada(s) neste aparelho não é ou não são adequada(s) para a iluminação do espaço. A finalidade desta lâmpada é auxiliar o utilizador a colocar produtos alimentares no frigorífico/congelador, de uma forma confortável e segura.

As lâmpadas usadas neste aparelho têm de suportar condições físicas extremas, tais como temperaturas abaixo de -20°C..

Guia para localização dos defeitos

O equipamento não funciona.

- Há uma falha eléctrica.
- A ficha do cabo de alimentação pode não estar bem introduzida na tomada.
- O fusível está queimado.
- O termóstato está na posição “DESLIGADO”.

As temperaturas não estão suficientemente baixas (LED vermelho aceso).

- Os alimentos impedem que a porta se feche.
- O equipamento não foi posicionado correctamente.
- O equipamento está muito próximo de uma fonte de calor.
- O botão do termóstato não está na posição correcta.

Acumulação excessiva de gelo.

- A porta não foi fechada adequadamente.

A iluminação interior não funciona

- A lâmpada está queimada. Desligue o aparelho das tomadas, retire a lâmpada e substitua-a por uma nova.

O mencionado a seguir não é considerado defeito

- Possíveis oscilações ou estalidos vindos do produto: circulação da refrigeração do sistema.

Ruídos durante o funcionamento

Afim de manter a temperatura no valor que ajustou, o compressor do equipamento começa a trabalhar periodicamente.

Os ruídos que podem ser ouvidos em tal situação são normais.

Eles são reduzidos assim que o aparelho atinge a temperatura de funcionamento.


O ruído sussurrante é produzido pelo compressor. Pode se tornar um pouco mais alto quando o compressor começa a trabalhar.

Os ruídos de borbulhar e sibilos que vêm da circulação do líquido de refrigeração nos tubos do equipamento, são ruídos normais de funcionamento.

Aviso!

Nunca tente reparar o equipamento ou os seus componentes eléctricos por conta própria. Qualquer reparação feita por uma pessoa não autorizada é perigosa para o utilizador e pode resultar na anulação da garantia.



O símbolo  no produto ou na embalagem indica que este produto não pode ser tratado como lixo doméstico normal. Ao contrário, deve ser encaminhado para o ponto de recolha aplicável para a reciclagem de equipamentos eléctricos e electrónicos. Ao assegurar que este equipamento seja eliminado correctamente, ajudará a prevenir potenciais efeitos negativos ao meio ambiente e à saúde humana, causados pela eliminação inadequada deste produto. Para informações mais detalhadas sobre a reciclagem deste produto, contacte a câmara municipal local, o serviço de recolha de lixo doméstico ou a loja onde adquiriu o produto.

Sveikiname su Jūsų pasirinkimu!

Jūsų pasirinktas BEKO šaldiklis reprezentuoja harmonijos junginį tarp šaldymo technikos ir estetiškos išvaizdos. Jis turi naują patrauklų dizainą ir yra sukurtas pagal tarptautinius europinius standartus, kurie garantuoja saugų ir ilgametį prietaiso tarnavimą. Taip pat šiame prietaise naudojamas šaldymo agentas R600a, kuris yra nekenksmingas aplinkai ir nedaro žalos ozono sluoksniui.

Tam, kad galėtumėte saugiai ir teisingai naudotis prietaisu, atidžiai perskaitykite instrukciją nuo pradžios iki galo.

Seno prietaiso utilizavimas

Norėdami pakeisti seną prietaisą nauju, atkreipkite dėmesį į šias nuorodas.

Seną prietaisą derėtų atiduoti perdirbimo ar utilizavimo įmonei. Juose esamos medžiagos, gali būti perdirbamos. Taip jūs apsaugosite gamtą.

Paruoškite seną prietaisą utilizavimui:

-išjunkite prietaisą iš elektros maitinimo tinklo;

-pašalinkite laidą (nupjaukite);

-pašalinkite visus galimus pavojingus priedus (spynas, rankenas), kad žaidžiantys vaikai neužsidarytų prietaiso viduje ir jų gyvybei negrėstų pavojus.

Šaldymo prietaisų viduje yra izoliacinės ir šaldomosios medžiagos, kurias galima pakartotinai panaudoti.

Originalios atsarginės dalys tiekiamos 10 metų nuo gaminio įsigijimo dienos.

Šis prietaisas nėra skirtas naudoti vartotojams su fizine ar protine negalia, padidintu jautrumu ar patirties bei žinių stoka; nebent jie privalo, prieš pradėdami naudoti prietaisą, būti supažindinti (atsakingo asmens) su naudojimo instrukcija ir informuoti apie prietaiso vartojimą bei jo saugą. Taip pat užtikrinant vaikų saugumą jie privalo būti įspėti, jog su prietaisu žaisti negalima.

Pakartotinas pakuotės panaudojimas

ĮSPĖJIMAS!

Neleiskite vaikams žaisti su pakuote ar jos dalimis. Jie gali uždusti neatsargiai elgdamiesi su kartono ar plastiko plėvelės dalimis.

Kad prietaisas saugiai pasiektų jus, jis yra supakuojamas į atitinkamą, saugią pakuotę. Visos pakuotei naudojamos medžiagos yra nekenksmingos aplinkai ir pakartotinai perdirbamos. Prašome pasirinkti pakuotės pakartotinu perdirbimu ir taip apsaugoti aplinką!

SVARBU!

Prieš naudodamiesi prietaisu atidžiai ir nuosekliai perskaitykite instrukciją. Joje nurodoma svarbi informacija apie prietaiso pastatymą, naudojimą ir jo eksploataciją. Gamintojas neprisiima jokios atsakomybės, jei nebuvo laikomasi instrukcijoje pateiktais nurodymais. Laikykite instrukciją saugioje, lengvai pasiekiamoje vietoje. Ją perduokite kartu su prietaisu, jei sugalvotumėte šaldiklį perduoti.

DĖMESIO!

Šis prietaisas privalo būti naudojamas tik pagal paskirtį, namų sąlygomis, šildomose patalpose, apsaugotas nuo lietaus, drėgmės ar kitokio atmosferos poveikio.

Gabenimas

Prietaisas privalo būti gabenamas vertikaliajoje padėtyje. Transportavimo metu pakuotė negali būti pažeista.

Jei gabenant prietaisas buvo pastatytas į horizontalią padėtį (tik jei tai pažymėta ant pakuotės), informuojame, kad prieš įjungiant prietaisą, pastatykite jį ir 4 valandų palikite stovėti nejungdami į elektros tinklą, kad nusistovėtų skysčiai šaldymo sistemoje. Nepaisant instrukcijoje pateiktų nurodymų, prietaisas gali sugesti ir tokiems gedimams netaikomas nemokamas techninis aptarnavimas garantiniu laikotarpiu.

Įspėjimai ir bendrosios nuorodos

- Nejunkite prietaiso jei pastebėjote gedimą.
- Netaisykite prietaiso patys, kreipkitės į įgaliotą servisą.
- Išjunkite prietaisą iš elektros tinklo jei:
 - norite prietaisą atitirpinti;
 - norite prietaisą išvalyti.

Išjungdami prietaisą, laikykite už kištuko, o ne už laido!

- Tarp prietaiso ir sienos palikite vietos orui laisvai cirkuliuoti.
- Nelipkite ant prietaiso.
- Neleiskite vaikams žaisti ar slėptis prietaiso viduje.
- Nenaudokite jokių elektrinių prietaisų šaldiklio viduje pagreitinti atitirpinimą.
- Nenaudokite prietaiso šalia šildymo prietaisų, viryklių ar ugnies šaltinių.
- Nepalikite atidarytų šaldiklio durelių. Jos gali būti atidarytos tik tol kol įdedate ar išimate maisto produktus.
- Nepalikite maisto šaldiklyje, jei jis neveikia.
- Nelaikykite šaldiklio viduje degių, prisotintų angliarūgšte produktų.
- Nelaikykite viduje putojančių gėrimų (sulčių, mineralinio vandens, šampano). Šaldiklyje buteliai gali sprogti! Nešaldykite gėrimų plastikiniuose buteliuose.
- Nevalgykite ką tik išimtų iš šaldiklio ledų ar ledo kubelių, nes jie gali būti per šalti.
- Niekada nelieskite šaltų metalo dalių ar šaldytų produktų šlapiomis rankomis, nes jūsų rankos gali greitai prišalti prie išalusio paviršiaus.
- Tam, kad prietaisas būtų apsaugotas sandėliavimo ir gabenimo metu, pateikiami tarp durų ir korpuso (priekinėje ir galinėje pusėse) dedami tarpikliai. Prieš eksploatuojant prietaisą šiuos tarpiklius reikia išimti.

- Su pateiktu plastikiniu grandikliu reguliariai reikia nuvalyti ant rėmo ir krepšelių susiformavusias ledo sankaupas. Ledui valyti nenaudokite jokių metalinių priemonių. Ledo sankaupos trukdo tinkamai uždaryti duris.
- Jei nesinaudojate prietaisu keletą dienų, jo nebūtina išjungti. Tačiau jei nenaudojate prietaiso ilgesnį laiką, vadovaukitės šiomis nuorodomis:
 - išjunkite prietaisą iš tinklo;
 - išimkite visus produktus iš šaldiklio;
 - atitirpinkite ir išvalykite jį;
 - palikite dureles atidarytas, kad išsivėdintų nemalonūs kvapai.
- Prietaiso laidą gali pakeisti tik įgalioto serviso meistras.
- Jei jūsų šaldymo prietaisas turi užraktą, laikykite jį užrakintą, o raktą laikykite saugioje, vaikams nepasiekiamoje vietoje. Jeigu jūs išmetate šaldiklį. Kuris turi užraktą, būtinai prieš tai sugadinkite užraktą, kad jis nerakintų. Tai yra labai svarbu, nes vaikai gali įlysti į vidų, užsitrenkti ir numirti.
- Jeigu maitinimo laidas pažeistas, jį leidžiama keisti tik gamintojui, gamintojo klientų aptarnavimo atstovui arba panašios kvalifikacijos asmenims – kitaip gali kilti pavojus.

Prietaiso paruošimas

Šis prietaisas skirtas naudoti aplinkoje, kurios temperatūra yra nuo -15°C iki $+43^{\circ}\text{C}$. Jei aplinkos temperatūra yra aukštesnė nei $+43^{\circ}\text{C}$, šaldiklio viduje temperatūra gali padidėti.

- Laikykite prietaisą toli nuo kaitinimo ar ugnies šaltinių. Prietaisą statykite šildomoje patalpoje, atokiau nuo tiesioginių saulės spindulių ar kaitinimo prietaisų (radiatorių, viryklių, krosnių), nes tai gali sutrumpinti prietaiso veikimo laiką ir padidėtų šaldytuvo funkcijų įtampa.
- Prašome laikytis nurodomų minimalių atstumų:
 - 100 cm nuotolis nuo anglinių ar žibalinų viryklių;
 - 150 cm nuotolis nuo elektrinių ir dujinių viryklių.

- Pasirūpinkite, kad aplink šaldiklį būtų pakankamai vietos orui cirkuliuoti (2 pav.). Ant kondensatoriaus, kuris yra prietaiso galinėje dalyje, pritvirtinkite atstumo laikiklius (3 pav.).
- Šaldiklį statykite lygioje, sausoje ir vėdinamoje patalpoje. Pritvirtinkite visas prietaiso papildomas dalis.

Pajungimas

Šis prietaisas pritaikytas veikti elektrinės srovės stiprumu 220-240 V/50Hz. Prieš prijungiant prietaisą prie elektros tiekimo, patikrinkite, ar Jūsų namų įtampa ir dažnis atitinka šaldiklio pajungimo parametrus, nurodytus techninių duomenų lentelėje.

- Visa informacija apie prietaiso elektrinius parametrus yra nurodyta duomenų lentelėje, kuri pritvirtinta galinėje prietaiso dalyje, apačioje, dešinėje pusėje.
- Elektros instaliacija turi pilnai atitikti nustatytus reikalavimus.
- **Šio šaldiklio įžeminimas yra privalomas. Gamintojas neprisiima jokios atsakomybės dėl netinkamo elgesio su prietaisu (žmonių, gyvūnų ar pan.).**
- Prietaisas turi laidą su kištuku (europinio tipo, pažymėtu 10/16 A) su dvigubu įžeminimu. Jei kištukas netelpa į rozetę, iškvieskite įgaliotą elektriką, kuris jums pakeis rozetę.
- Nenaudokite prailginamojo laido ar daugialypio adaptoriaus.

Išjungimas

Prietaisą galima išjungti traukiant jungiklį iš elektros tinklo, arba tiesiogiai, jungtuku atjungus elektros padavimą į elektros lizdą.

Prietaiso naudojimas

Prieš naudodami prietaisą, jį išvalykite (žiūrėkite į nuorodą „Valymas“). Išvalius, įjunkite prietaisą ir nustatykite termostato rodyklę ties vidutine padėtimi. Žalias ir raudonas mygtukai turi šviesti. Palikite prietaisą įjungtą apie 2 valandas ir tik tuomet sudėkite maistą. Šviežią maistą užšaldyti bus galima ne anksčiau kaip po 20 valandų įjungus šaldiklį.

Prietaiso aprašymas

(1 pav.)

1. Durų rankena
2. Durys
3. Lempos gaubtas
4. Krepšeliai
5. Padėklas
6. Spynos gaubtas
7. Termostato dėžutė
8. Atstumo laikikliai

Šaldymo programos

Temperatūros reguliavimas

Šaldiklio vidaus temperatūra reguliuojama termostato rankenėle (4 pav.). „MAX“ – tai žemiausios temperatūros nustatymas. Temperatūra gali svyruoti priklausomai: nuo vietos kur prietaisas yra pastatytas, aplinkos temperatūros, durelių varstymo dažnumo, nuo patalpinto šaldiklyje maisto produktų kiekio. Atsižvelgiant į išvardintus veiksnius galima keisti termostato rankenėlės padėtį. Paprastai vidaus temperatūra yra apytiksliai 43°C, kai termostato rodyklė nustatyta ties vidutine žyma.

Signalines lemputes rasite šaldiklio priekinėje dalyje (5 pav.).

1. reguliuojama termostato rankenėlė, kuria nustatoma temperatūra šaldiklio viduje.
2. žalia signalinė lemputė rodo energijos tiekimą.
3. raudona signalinė lemputė rodo trukdžius. Ji užsidega, kai šaldiklio temperatūra viduje yra per aukšta. Įjungus šaldiklį ši lemputė dega apie 15-45 min., tada užgęsta. Jei lemputė įsijungia šaldikliui beveikiant kurį tai laiko tarpą, reiškia atsirado gedimas.
4. oranžinė diodinė lemputė – pasukus rankenėlę ties padėtimi „Superfreeze“, įjungta greitojo užšaldymo funkcija: užsidega oranžinė diodinė lemputė, rodanti, kad prietaisas ėmė veikti „greitojo užšaldymo“ režimu. Šis režimas automatiškai išsijungia praėjus 50 valandų; paskui prietaisas veikia ekonominiu režimu ir oranžinė diodinė lemputė užgęsta.

Visos trys signalinės lemputės parodo nuolat veikiančio šaldiklio funkcijas.

Šaldytų maisto produktų laikymas

Šis šaldiklis padės jums išlaikyti šaldytus maisto produktus ilgą laiką, be to, jame galite sušaldyti ir laikyti šviežius maisto produktus.

Teisingas maisto produktų įpakavimas užšaldant, padės išsaugoti produktus ilgesnį laiką ir pasiekti norimų rezultatų.

Įpakavimas turėtų atitikti šias nuorodas: nepraleisti oro, turi būti įterpiamas tarp supakuoto maisto, atsparus minusinei temperatūrai, neperalaidus skysčiui, riebalams, oro garams ir kvapams, tinkamas plauti.

Įpakavimas turėtų būti iš plastiko ar aliuminio folijos, plastiko ar aliuminio buitinių indų, kartoninių ar plastiko, hermetiškai atsparių indų.

Svarbu!

- Šviežių maisto produktų užšaldymui naudokite tik tam skirtus indus.
- Vienu metu nešaldykite didelio kiekio maisto produktų. Maisto kokybė bus geriausia, jei visą sušaldysite per kuo trumpesnę laiką. Todėl patartina naudoti maksimalią temperatūrą neperpildžius šaldiklio talpos.
- Nesumaišykite šaldytų ir šviežių maisto produktų.
- Dedant į šaldiklį sušalusius maisto produktus, nereikia reguliuoti termoregulatoriaus rankenėlės.
- Saugaus maisto užšaldymo nuorodas galite rasti ant šaldiklio vidinių durelių. Jei ant produkto pakuotės nenurodyta produkto laikymo data, tuomet maistą šaldiklyje laikykite ne ilgiau kaip 3 mėnesius.
- Atitirpintas maistas negali būti vėl užšaldomas. Jis privalo būti nedelsiant suvartotas arba pagaminamas ir vėl užšaldomas.

- Šaldiklyje negalima laikyti putojančių gėrimų.
- Jei nutrūko elektros energijos tiekimas, neatidarykite durų. Sušaldytas maistas nepradės atitirpti, jei elektros energijos tiekimo gedimas netruks ilgiau nei 36 valandos.

Užšaldymas naudojant funkciją „Superfrost“

- Pasukite rankenėlę ties greitojo užšaldymo padėtimi. Užsidegs funkcijos „Superfrost“ lemputė.
- Palaukite 24 valandas.
- Dėkite šviežią maistą į šaldiklį. Norint, kad maistas būtų greitai užšaldytas, įdėjus jį į šaldiklį, jis neturi liesti vidaus sienelių.
- Praėjus 50 valandų funkcija „Superfrost“ automatiškai išjungia greitojo užšaldymo režimą.

Dėmesio!

Pasukus rankenėlę ties padėtimi „Superfrost“, kompresorius gali įsijungti po kelių minučių. Tai dėl įrengtos temperatūros keitimo delsos jungiklio, skirto pailginti šaldymo bloko eksploatavimo laiką.

Funkcijos „Superfrost“ nereikėtų naudoti šiais atvejais:

- dedant į šaldiklį jau užšaldytą maistą;
- kasdien užšaldant iki 2 kg šviežio maisto.

Atitirpinimas

- Šaldiklį atitirpinkite du kartus per metus arba kai susiformuoja storas ledo sluoksnis.
 - Ledo kaupimasis aplink sieneles yra normalus reiškinys.
 - Ledo sluoksniu kaupimasis priklauso nuo šaldomų produktų kiekio ir kaip dažnai yra varstomos šaldiklio durelės.
 - Šaldiklį patartina atitirpinti tada kai lieka nedidelis kiekis užšaldytų maisto produktų.
 - Prieš atitirpinimą, pasukite termostato rankenėlę iki šalčiausio temperatūros taško. Taip produktai išliks ilgesnį laiką šaltesni.
- Išjunkite prietaisą.
- Visus maisto produktus susukite į laikraštį ir padėkite vėsiai (pavyzdžiui į sandėliuką ar šaldytuvą).

Paimkite padėklą ir padėkite jį po šaldikliu tiesiogiai po varvančiu vamzdeliu. Išvalykite užsikimšusias angas, kad netrukdytų bėgti atitirpusiam vandeniui. Vanduo, kuris kaupiasi tirpstant ledui, turi būti kaupiamas į specialų padėklą. Po to, kai ledas atitirpsta, o vanduo išbėga, išvalykite skudurėliu ar kempine ir tada dar kartą nuvalykite labai sausai. Tada atgal padėkite padėklą (žr. 6 pav.)

Negramdykite ledo aštriais metaliniais daiktais.

Nemėginkite atitirpinimo proceso paspartinti elektriniu plaukų džiovintuvu, elektriniu radiatorium ar panašiais elektriniais prietaisais.

Vidaus valymas

Prieš pradėdant valyti prietaisą, išjunkite jį iš elektros tinklo.

- Valykite prietaisą tuo pat metu kada jį atitirpinate.
- Plovimui naudokite šiltą neutralų vandenį. Tam nenaudokite muilo, skalbimo miltelių, benzino ar acetono. Tai gali palikti stiprų kvapą šaldiklio viduje.
- Atitirpusį vandenį išvalykite kempine ar švaria šluoste.

Valant prietaisą, žiūrėkite, kad vanduo nepatektų tarp sienelių izoliacinės medžiagos ar į valdymo skydelį. Vandeniui patekus tarp izoliacinės medžiagos gali atsirasti nemalonūs kvapai. Nepamirškite išvalyti durelių sandarinimo gumų. Jas reikėtų labai gerai nusausti.

Išorės valymas

- Šaldiklio išorę valykite su šiltu muiluotu vandeniu minkšta pašluoste ir nusauskite.
 - Išorinių dalių valymui (tokių kaip kompresorius, kondensatorius) naudokite švelnų šepetį ar dulkių siurbį. Būkite atsargūs valydami išorines dalis, nes galite pažeisti radiatoriaus vamzdelius ar prisiliesti prie laido.
- Nenaudokite jokių aštrių ar abrazyvinių valymo priemonių.**
- Pabaigus valyti, sudėkite atgal visas papildomas detales ir įjunkite prietaisą.

Apšvietimo lemputės keitimas

Jei lemputė perdega, išjunkite prietaisą. Pasižiūrėkite, ar lemputė tvarkinga (gera). Įsitikinkite, kad lemputė prisukta teisingai. Įjunkite prietaisą. Jei lemputė vis tiek nedega, pakeiskite ją (modelis E14-15 W). Įsukite gerą lemputę į tą pačią vietą.

Šajā ierīcē izmantotā lampa nav piemērota istabu apgaismojumam. Šīs lampas mērķis ir padarīt pārtikas produktu ievietošanu ledusskapī/saldētavā drošu un ērtu.

Šajā ierīcē izmantotajām lampām ir jāspēj funkcionēt ekstrēmos fiziskos apstākļos, piemēram, temperatūrā, kas nepārsniedz -20°C.

Gedimų šalinimas

Jei prietaisas neveikia patikrinkite ar:

- nedingusi elektros energijos srovė.
- jungiklis iki galo įjungtas į rozetę.
- neperdegęs saugiklis.
- termoregulatoriaus rankenėlė nėra ties padėtimi „OFF“.

Jei temperatūra nėra pakankamai žema (dega raudona lemputė), gali būti kad:

- šaldiklio durelės uždarytos nesandariai.
- durelės neužsidaro dėl per daug pridėto į šaldiklį maisto.
- prietaisas yra pastatytas per arti kaitinimo šaltinių.
- yra blogai nustatyta termoregulatoriaus rankenėlė.

Jei susikaupė per didelis kiekis ledo:

- nesandariai uždarytos durelės.

Nedega apšvietimo lemputė:

- lemputė yra perdegusi. Išjunkite prietaisą, pakeiskite lemputę.

Tai nėra gedimas jei:

- spragsėjimas ir burzgimas sklinda iš prietaiso vidaus. Šiuos garsus sukelia sistemoje cirkuliuojantis šaldymo skystis.

Veikimo garsai

Kad būtų išlaikyta jūsų pasirinkta temperatūra, prietaise esantis kompresorius įsijungia periodiškai. Tokioje situacijoje atsirandantys garsai yra visiškai normalūs. Jie nurimsta tada, kai prietaisas pasiekia efektyvią temperatūrą.

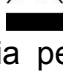
Užiančius garsus sukelia kompresorius. Šie garsai gali būti šiek tiek garsesni, kai įsijungia kompresorius.

Burbuliavimas ir kliuksėjimas yra normalūs garsai, atsirandantys iš šaldiklio.

ISPĖJIMAS!

Niekada netaisykite ar nekeiskite elektros detalių prietaiso patys. Taip galite sukelti pavojų savo gyvybei ir netekti teisės į nemokamą garantinį aptarnavimą.



Ant prietaiso arba pakuotės esantis simbolis  nurodo, kad su šiuo prietaisu negalima elgtis kaip su buitineis šiukšlėmis. Jį reikia perduoti atitinkam surinkimo punktui, kad elektros ir elektronikos prietaisas būtų perdirbtas. Tinkamai išmesdami šį gaminį, prisidėsite prie apsaugos nuo galimo neigiamo poveikio aplinkai ir žmonių sveikatai, kuris gali būti padarytas šį gaminį netinkamai išmetant. Dėl išsamesnės informacijos apie šio gaminio perdirbimą, prašom kreiptis į savo miesto valdžios instituciją, buitinių atliekų išvežimo tarnybą arba parduotuvę, kurioje pirkote šį prietaisą.

¡Enhorabuena por su elección!

El congelador de arcón que ha adquirido pertenece a la gama de productos BEKO y representa una armoniosa conjunción de técnica de refrigeración y aspecto estético. Posee un nuevo y atractivo diseño y se ha construido según los estándares europeos y nacionales que garantizan sus características de funcionamiento y seguridad. Al mismo tiempo, el refrigerante utilizado, R600a, es respetuoso con el medio ambiente y no afecta a la capa de ozono. Con el fin de sacar el mejor partido de su congelador, aconsejamos leer detenidamente la información de estas instrucciones del usuario.

Consejos para reciclar el antiguo aparato

Si el aparato que se acaba de adquirir sustituye a un electrodoméstico antiguo, se deben tener en cuenta algunos aspectos.

Los electrodomésticos antiguos no son chatarra sin valor. Su eliminación, al tiempo de preservar el medio ambiente, permite la recuperación de importantes materias primas.

Inutilizar el antiguo electrodoméstico de esta forma:

- desconectar el aparato del suministro eléctrico;
- quitar el cable de suministro eléctrico (cortarlo);
- quitar las posibles cerraduras de la puerta, para evitar el bloqueo de niños en su interior mientras juegan, algo que puede poner en peligro sus vidas.

Los aparatos de refrigeración contienen materiales aislantes y refrigerantes que requieren un reciclado adecuado.

Se proporcionarán piezas de recambio originales durante 10 años, después de la fecha de compra del producto.

Este aparato no ha sido diseñado para ser usado por personas con discapacidades físicas, sensoriales o mentales; tampoco para personas sin experiencia o conocimiento del aparato, a no ser que estén supervisadas o instruidas por alguien responsable de su seguridad. Los niños deben de estar controlados para que no jueguen con el aparato.

Reciclado del embalaje

ADVERTENCIA

No deje que los niños jueguen con el embalaje o con alguna parte del mismo. Existe el riesgo de asfixia con las partes del cartón ondulado y con la película de plástico.

Para que llegue a usted en buenas condiciones, el aparato se ha protegido con un embalaje apropiado. Todos los materiales del embalaje son compatibles con el medio ambiente y son reciclables. Por favor, ayúdenos a reciclar el embalaje al tiempo que se protege el medio ambiente.

IMPORTANTE:

Antes de poner en marcha el electrodoméstico, leer detenidamente estas instrucciones en su totalidad. Contienen información importante relativa a la instalación, uso y mantenimiento del aparato. El fabricante no asume ninguna responsabilidad si no se cumplen las instrucciones de este documento. Guarde las instrucciones en un lugar seguro para tenerlas a mano en caso de necesidad. Pueden resultarles útiles a los usuarios posteriores.

¡ATENCIÓN!

Este electrodoméstico sólo debe usarse para su finalidad prevista (uso doméstico), en zonas apropiadas, lejos de la lluvia, la humedad o cualquier otro fenómeno meteorológico.

Instrucciones de transporte

En la medida de lo posible, el aparato se debe transportar solamente en posición vertical. Durante el transporte el embalaje debe estar en perfectas condiciones.

Si durante el transporte el electrodoméstico se colocó en posición horizontal (solamente según las marcas del embalaje), se aconseja que, antes de poner el electrodoméstico en funcionamiento, se deje sin actividad durante 4 horas, con el fin de permitir la estabilización del circuito refrigerante.

Si no se cumplen estas instrucciones, se puede provocar la avería del compresor del motor y la cancelación de su garantía.

Advertencias y consejos generales

- No enchufar el aparato si se advierte un fallo.
 - Las reparaciones sólo deben hacerse por personal cualificado.
 - En las siguientes situaciones desenchufar el aparato de la red eléctrica:
 - al deshelar completamente el aparato;
 - al limpiar el aparato.
- Para desenchufar el electrodoméstico, tirar del enchufe, no del cable.**
- Asegurarse de que existe el mínimo espacio entre el aparato y la pared frente a la que está colocado.
 - No subirse encima del aparato.
 - No dejar que los niños jueguen o se escondan dentro del aparato.
 - No utilizar nunca aparatos eléctricos dentro del congelador para deshelar.
 - No utilizar el electrodoméstico cerca de aparatos de calefacción, cocinas o cualquier otra fuente de calor y fuego.
 - No dejar abierta la puerta del congelador más de lo necesario para meter o sacar los alimentos.
 - No dejar los alimentos en el electrodoméstico si no está en funcionamiento.
 - No tener dentro productos que contengan gases inflamables o explosivos.
 - No tener en el congelador bebidas gaseosas (zumos, agua mineral, champán, etc.): ¡la botella puede explotar! No congelar bebidas en botellas de plástico.
 - No tomar cubitos de hielo o helado inmediatamente después de haberlos sacado del congelador, porque pueden provocar "quemaduras" en los labios.
 - No tocar nunca las partes metálicas frías o la comida congelada con las manos húmedas, porque sus manos se pueden congelar rápidamente en las superficies muy frías.
 - Para proteger la aplicación durante su almacenamiento o traslado, se provee con separadores entre la puerta y el gabinete (en la parte frontal y trasera). Estos separadores se eliminarán antes de poner la aplicación en funcionamiento.

- Si existe una capa excesiva de hielo, eliminarla regularmente con el rascador de plástico incluido. No utilizar objetos metálicos afilados para quitar el hielo.

La presencia de esta acumulación de hielo evita que la puerta cierre correctamente.

- Si no se usa el electrodoméstico durante algunos días no es aconsejable apagarlo. Si no se usa durante un período prolongado, proceda de la siguiente manera:

- desenchufar el aparato;
- vaciar el congelador;
- deshelarlo y limpiarlo;
- dejar la puerta abierta para evitar la formación de olores desagradables.

- Si el cable de alimentación estuviera dañado, el fabricante, el servicio de atención al cliente o una persona cualificada deberán sustituirlo para evitar peligros.

- Si el electrodoméstico tiene un dispositivo de bloqueo, manténgalo trabado y mantenga la llave fuera del alcance de los niños. Al deshacerse de un electrodoméstico con bloqueo, compruebe que este dispositivo esté fuera de servicio. Esto es de suma importancia para evitar que un niño quede atrapado en su interior, lo que le podría causar la muerte.

Instalación

El aparato está diseñado para funcionar con una temperatura ambiente de entre -15°C y $+43^{\circ}\text{C}$. Si la temperatura ambiente es superior a $+43^{\circ}\text{C}$, la temp. dentro del electrodoméstico puede aumentar.

Instalar el aparato lejos de cualquier fuente de calor y fuego. La colocación en una habitación caliente, la exposición directa a los rayos solares o cerca de una fuente de calor (calefacciones, cocinas, hornos), aumentarán el consumo de potencia y acortarán la vida del producto.

- Observar las siguientes distancias mínimas:
 - 100 cm desde las cocinas que funcionen con carbón o petróleo;
 - 150 cm desde las cocinas eléctricas y de gas.

- Garantizar la libre circulación del aire alrededor del aparato, observando las distancias mostradas en el Elemento 2. Montar en el condensador (en la parte posterior) los espaciadores suministrados. (Elemento 3).

- Colocar el electrodoméstico en un lugar perfectamente nivelado, seco y ventilado. Instalar los accesorios suministrados.

Conexiones eléctricas

Este electrodoméstico está diseñado para funcionar a una tensión monofásica de 220-240 V/50 Hz. Antes de enchufar el aparato, comprobar que los parámetros de la red de la casa (voltaje, tipo de corriente, frecuencia) cumplen los parámetros de funcionamiento del aparato.

- La información relativa al voltaje de alimentación y la potencia absorbida se indica en la placa de datos técnicos situada en la parte posterior del refrigerador.
- La instalación eléctrica debe cumplir los requisitos contemplados en las leyes.
- **La toma de tierra del electrodoméstico es obligatoria. El fabricante no asume ninguna responsabilidad de ningún daño a personas, animales o bienes que pueda surgir del incumplimiento de las condiciones especificadas.**
- El aparato está provisto de un cable de alimentación y un enchufe (tipo europeo, marcado 10/16A) con contacto de doble toma de tierra para mayor seguridad. Si la toma de corriente no es del mismo tipo que el enchufe, hay que pedirle a un electricista especializado que la cambie.
- No utilizar piezas de extensión o adaptadores múltiples.

Desconexión

La desconexión debe ser posible sacando el enchufe de la toma de corriente o por medio de un conmutador bipolar de red situado antes de la toma de corriente.

Funcionamiento

Antes de poner en funcionamiento el electrodoméstico, limpiar el interior (véase el capítulo "Limpieza").

Al terminar esta operación, enchufe el aparato y coloque el botón del termostato en una posición intermedia. Los indicadores luminosos de color verde y rojo situados en el bloque de señalización deberán encenderse. Dejar el aparato funcionando durante unas 2 horas sin colocar alimentos en su interior.

La congelación de los alimentos frescos es posible después de un mínimo de 20 horas de funcionamiento.

Descripción del electrodoméstico

(Elemento 1)

1. Asa de la puerta
2. Puerta
3. Alojamiento de la lámpara
4. Cestas
5. Bandeja
6. Alojamiento del sistema de bloqueo
7. Caja del termostato
8. Espaciador para transporte

Funcionamiento del congelador

Ajuste de la temperatura

La temperatura del congelador se ajusta mediante un mando ubicado en el termostato (elemento nº 4), siendo la posición "MAX" la de menor temperatura.

Las temperaturas obtenidas pueden variar de acuerdo con las condiciones de uso del electrodoméstico, tales como: colocación del aparato, temperatura ambiente, frecuencia con que se abra la puerta, cantidad de alimentos que hay en el congelador. La posición del mando del termostato cambiará según estos factores. Normalmente, para una temperatura ambiente de aproximadamente 32° C, el termostato estará ajustado en una posición intermedia.

El sistema de señalización está situado en el lado delantero del congelador (Elemento 5). Incluye:

1. Mando de ajuste del termostato – para ajustar la temperatura interior.
2. LED verde – indica que el aparato recibe suministro de energía.
3. LED rojo – defectos – se ilumina si la temperatura del congelador es demasiado alta. El LED se iluminará durante 15-45 minutos después de poner el aparato en funcionamiento; a continuación, se debe apagar. Si el LED se apaga durante el funcionamiento, significa que se ha producido algún problema.
4. LED de función de congelación de Orange-fast activado - estableciendo la perilla a la posición Superfreeze el led naranja se enciende, indicando que el aparato entró en el modo de "congelación rápida". La salida de este modo se realiza automáticamente después de 50 horas, después que el aparato funciona en modo económico, y el LED naranja se apaga.

Los tres LED informan sobre el modo de operación del congelador.

Consejos para la conservación de alimentos

El congelador está destinado a conservar la comida congelada durante un tiempo prolongado, así como a congelar alimentos frescos.

Uno de los elementos esenciales para una congelación satisfactoria de los alimentos es el envase.

Las condiciones principales que debe cumplir el envase son las siguientes: que sea hermético, que sea inerte hacia los alimentos envasados, que resista bajas temperaturas, que sea estanco a líquidos, grasa, vapores de agua, olores, que se pueda lavar.

Estas condiciones las cumplen los siguientes tipos de envases: película de plástico o aluminio, recipientes de plástico y aluminio, vasos de cartón parafinado o vasos de plástico.

IMPORTANTE:

- Para congelar alimentos frescos, emplee las cestas provistas con el aparato.
 - No colocar en el congelador una cantidad demasiado grande de alimentos a la vez. La calidad de los alimentos se conserva mejor si se congelan a fondo lo más rápidamente posible. Esta es la razón por la que es aconsejable no sobrepasar la capacidad de congelación del aparato, que se especifica en " FICHA DE PRODUCTO".
 - Los alimentos frescos no deben entrar en contacto con los alimentos ya congelados.
 - Los alimentos congelados que se hayan comprado se pueden colocar en el congelador sin tener que ajustar el termostato.
- Si la fecha de congelación no se indica en el envase, hay que tener en cuenta un período de 3 meses como máximo, como norma general.
- Los alimentos, incluso parcialmente deshelados, no se pueden congelar de nuevo; se deben consumir inmediatamente o cocinarse y después volverse a congelar.
 - Las bebidas gaseosas no se guardarán en el congelador.
 - En caso de una interrupción de la corriente eléctrica, no abrir la puerta del electrodoméstico. Los alimentos congelados no se verán afectados si la avería dura menos de 36 horas.

Congelar con SuperFrost

- Coloque la perilla a la posición de súper congelación. La lámpara Superfrost se enciende.
- Espere 24 horas.
- Coloque los alimentos frescos en el congelador. Con el fin de lograr la congelación rápida, los alimentos deben estar en contacto con las paredes interiores cuando se coloca en el congelador.
- La instalación Superfrost cambia automáticamente el procedimiento de congelación rápida después de 50 horas.

Importante

Cuando se coloca el mando en posición Superfrost, el compresor no puede encender durante unos minutos. Esto es debido al interruptor de subida de retardo integrado que está diseñado para aumentar la vida útil de la unidad de refrigeración.

No es necesario activar la función Superfrost:

- Si se introducen alimentos ya congelados;
- Si se congelan hasta aprox. 2 kg de alimentos frescos todos los días.

Deshielo del aparato

- Aconsejamos que se deshiele el congelador al menos dos veces al año o cuando la capa de hielo tenga un grosor excesivo.
 - La acumulación de hielo es un fenómeno normal.
 - La cantidad y rapidez de la acumulación de hielo depende de las condiciones ambientales y de la frecuencia con que se abra la puerta.
 - Aconsejamos deshelar el aparato cuando la cantidad de alimentos congelados sea la menor.
 - Antes de deshelar, ajustar el mando del termostato a una posición superior, para que los alimentos se conserven más fríos.
 - Desenchufar el aparato;
 - Sacar los alimentos congelados, envolverlos en varias hojas de papel y colocarlos en el refrigerador o en un lugar fresco.
- Tome el panel separador y colóquelo bajo el congelador en el sentido del tubo de goteo. Retire el tapón. El agua resultante será recogida en una bandeja especial (panel separador). Una vez derretido el hielo y escurrida el agua, limpie con un paño o esponja y luego seque bien. Retorne el tapón a su sitio. (Elemento 6)
- Si desea acelerar el descongelamiento, deje abierta la puerta.

No utilizar objetos metálicos afilados para quitar el hielo.

No usar secadores de pelo o cualquier otro aparato de calentamiento para deshelar.

Limpieza del interior

Antes de iniciar la limpieza, desenchufar el aparato de la red.

- Es aconsejable limpiar el electrodoméstico cuando se deshiele.
- Limpiar el interior con agua tibia, a la que se añadirá algo de detergente neutro. No usar jabón, detergente, gasolina o acetona, que pueden dejar un olor fuerte.
- Limpiar con una esponja húmeda y secar con un paño suave.

Durante esta operación, evitar el exceso de agua, con el fin de impedir su entrada en el aislamiento térmico del aparato, lo que podría provocar olores desagradables.

No hay que olvidar limpiar también la junta de la puerta, especialmente los nervios del fuelle, con un paño limpio.

Limpieza del exterior

- Limpiar el exterior del congelador con una esponja empapada en agua tibia jabonosa, limpiar con un paño suave y secar.
- La limpieza de la parte exterior del circuito refrigerante (compresor del motor, condensador, conductos de conexión) se realizará con un cepillo suave o con la aspiradora. Durante esta operación, procurar no deformar los conductos ni separar los cables.

No utilizar materiales corrosivos ni abrasivos.

- Tras finalizar la limpieza, volver a colocar en su lugar los accesorios y enchufar el aparato.

Sustitución de la bombilla interior

Si la lámpara se quema, desenchufe el aparato. Retire la moldura que cubre la lámpara. Fíjese si la lámpara está bien enroscada. Vuelva a enchufar el aparato. Si la lámpara sigue sin encender, reemplácela por otra modelo E14-15W. Restituya la moldura que cubre la lámpara en su sitio.

Las bombillas de este electrodoméstico no sirven para la iluminación en el hogar. Su propósito es el de ayudar al usuario a colocar los alimentos en el frigorífico o congelador de forma cómoda y segura.

Las lámparas utilizadas en este electrodoméstico deben soportar unas condiciones físicas extremas como temperaturas inferiores a -20° C.

Guía de localización de averías

El electrodoméstico no funciona.

- Hay una interrupción de la corriente eléctrica.
- El enchufe del cable de alimentación no está bien introducido en la toma de corriente.
- El fusible está fundido.
- El termostato está en la posición "OFF".

Las temperaturas no son lo bastante bajas (el LED rojo está encendido).

- Los alimentos impiden que la puerta se cierre.
- El aparato no se colocó correctamente.
- El aparato está colocado demasiado cerca de una fuente de calor.
- El mando del termostato no está en la posición correcta.

Excesiva acumulación de hielo

- La puerta no se cerró correctamente.

La luz interior no funciona

- La lámpara se quemó. Desenchufe el aparato, retire la lámpara y cámbiela por una nueva.

Lo siguiente no se consideran defectos

- Posibles movimientos alternativos y crujidos procedentes del producto: circulación del refrigerante en el sistema.

Ruidos durante el funcionamiento

Para mantener la temperatura en el valor fijado, el compresor del aparato se enciende periódicamente.

Los ruidos que se escuchan en dicha situación son normales.

Estos se reducen tan pronto como el aparato alcanza la temperatura de funcionamiento.

El compresor emite un zumbido. Puede hacerse un poco más fuerte cuando arranca el compresor.

Los ruidos de burbujeo o borboteo procedentes del refrigerante que circula por los conductos del aparato son ruidos de funcionamiento normal.

Advertencia:

No intentar nunca reparar el electrodoméstico o sus componentes eléctricos. Cualquier reparación llevada a cabo por una persona no autorizada es peligrosa para el usuario y puede dar lugar a la cancelación de la garantía.



Este producto incorpora el símbolo de recogida selectiva de residuos de equipos eléctricos y electrónicos.

Ello significa que este producto debe ser manipulado teniendo en cuenta la Directiva Europea 2002/96/EC, en orden de ser reciclado o recuperado para minimizar su impacto en el medio ambiente. Para más información rogamos contacte con las autoridades locales o regionales más próximas a su domicilio.

Los productos electrónicos no incluidos en el proceso de recogida selectiva son potencialmente peligrosos para el medio ambiente y la salud humana debido a la presencia de ciertas sustancias.

Congratulazioni per la scelta!

Il congelatore a bancone acquistato è uno dei prodotti della gamma BEKO e rappresenta il punto di incontro armonico tra tecniche di congelamento e aspetto esteriore. Ha un design nuovo e attraente ed è costruito in base alle norme europee e nazionali che ne garantiscono il funzionamento e le funzioni di sicurezza. Nello stesso tempo, il refrigerante utilizzato, R600a, rispetta l'ambiente e non ha effetti negativi sull'ozono.

Per un utilizzo ottimale del freezer, si consiglia di leggere attentamente le informazioni contenute in questo manuale per l'utente.

Consigli per il riciclaggio del vecchio elettrodomestico

Se l'elettrodomestico appena acquistato ne sostituisce uno vecchio, è necessario prendere in considerazione alcuni elementi.

I vecchi elettrodomestici non sono rottami senza valore. Lo smaltimento degli elettrodomestici da un lato rispetta l'ambiente dall'altro consente il recupero di importanti materie prime.

Rendere inutilizzabile l'elettrodomestico:

- scollegarlo dall'alimentazione;
- Rimuovere il cavo di alimentazione (tagliarlo);
- rimuovere gli eventuali lucchetti sullo sportello per evitare che i bambini vi entrino durante il gioco mettendosi in pericolo di vita.

I congelatori contengono materiali isolanti che richiedono un riciclaggio adeguato.

I pezzi di ricambio originali verranno forniti per 10 anni, successivamente alla data di acquisto del prodotto.

Questo apparecchio elettrico non è inteso per essere utilizzato da persona con handicap fisico, e/o mentale o con mancanza di esperienza e competenza anche se ad esse siano state date istruzioni concernenti l'uso da un supervisore o da persona con esperienza. I bambini devono essere supervisionati da un adulto affinché non utilizzino l'apparecchio per il gioco.

Riciclaggio dell'imballo

AVVERTENZA!

Non permettere ai bambini di giocare con l'imballo o con parti di esso. Esiste il pericolo di soffocamento con parti del cartone ondulato e con la pellicola di plastica.

Per arrivare a destinazione in buone condizioni, l'elettrodomestico è protetto da un imballo adatto. Tutti i materiali di imballo sono compatibili con l'ambiente e sono riciclabili. Si consiglia di riciclare l'imballo per proteggere l'ambiente!

IMPORTANTE!

Prima di mettere in funzione l'elettrodomestico, leggere attentamente e in modo completo queste istruzioni, in quanto includono informazioni importanti sull'installazione, l'utilizzo e la manutenzione dell'elettrodomestico.

Il produttore è libero da ogni responsabilità se non vengono rispettate le informazioni contenute nella presente documentazione. Conservare queste istruzioni in un posto sicuro per averle a portata di mano in caso di necessità. Di conseguenza potrebbero risultare utili anche ad altri utenti.

ATTENZIONE!

È necessario utilizzare questo elettrodomestico solo per lo scopo per cui è stato progettato (utilizzo domestico), in aree adatte, lontano da pioggia, umidità o altri fenomeni atmosferici.

Istruzioni per il trasporto

È necessario trasportare l'elettrodomestico solo in posizione verticale. Durante il trasporto l'imballo deve essere in condizioni perfette.

Se l'elettrodomestico è stato trasportato in posizione orizzontale (solo in base alle segnalazioni sull'imballo), è necessario che prima della messa in funzione l'elettrodomestico venga lasciato a riposare 4 ore affinché il circuito di raffreddamento si stabilizzi.

La mancata osservanza di queste istruzioni può causare la rottura del motore compressore e l'annullamento della garanzia.

Avvertenze e consigli generali

- Non collegare l'elettrodomestico se si è notato un guasto.
- Le riparazioni devono essere effettuate esclusivamente da personale qualificato.
- Nelle seguenti situazioni scollegare l'elettrodomestico dalla rete elettrica:
 - durante lo sbrinamento completo;
 - durante la pulizia.

Per scollegare l'elettrodomestico, tirare dalla spina non dal cavo!

- Assicurarsi che vi sia lo spazio minimo tra l'elettrodomestico e la parete contro la quale è collocato.
 - Non salire sull'elettrodomestico.
 - Non consentire ai bambini di giocare o nascondersi all'interno dell'elettrodomestico.
 - Non utilizzare mai elettrodomestici all'interno del congelatore per sbrinare.
 - Non utilizzare l'elettrodomestico vicino a caloriferi, fornelli o altre fonti di calore e fuoco.
 - Non lasciare aperto lo sportello del freezer più a lungo del tempo necessario per inserire o estrarre i cibi.
 - Non lasciare cibo nell'elettrodomestico se quest'ultimo non è in funzione.
 - Non conservare all'interno prodotti che contengono gas infiammabili o esplosivi.
 - Non conservare all'interno del freezer bibite frizzanti (succhi, acqua minerale, champagne, ecc.): la bottiglia può esplodere! Non congelare bibite in bottiglie di plastica.
 - Non mangiare cubetti di ghiaccio o gelati appena usciti dal freezer poiché possono provocare "bruciate da freddo".
- Non toccare mai parti in metallo fredde o cibo congelato con le mani umide, poiché le mani potrebbero congelare velocemente su superfici molto fredde.
- Per la protezione dell'apparecchio durante l'imbaggio e il trasporto, sono forniti spaziatori tra lo sportello e il corpo (sulla parte anteriore e posteriore). Questi spaziatori saranno rimossi prima di mettere in funzione l'apparecchio.

- Eccessivi depositi di ghiaccio sulla struttura devono essere rimossi regolarmente con i raschietti in plastica in dotazione. Non utilizzare oggetti metallici per rimuovere il ghiaccio. La presenza di questa formazione di ghiaccio potrebbe rendere impossibile chiudere lo sportello.
- Se non si utilizza l'elettrodomestico per alcuni giorni, non è consigliabile spegnerlo. Se non lo si utilizza per un periodo più lungo, procedere come segue:
 - scollegare l'elettrodomestico;
 - svuotare il freezer;
 - scongelarlo e pulirlo;
 - lasciare aperto lo sportello per evitare la formazione di odori sgradevoli.
- Se il cavo di alimentazione è danneggiato, deve essere sostituito dal produttore, dal suo agente per l'assistenza o da persone similmente qualificate per evitare rischi.
- Se il vostro dispositivo ha la serratura, tenetelo chiuso e tenete la chiave in luogo sicuro, fuori dalla portata dei bambini. Se state buttando un elettrodomestico con serratura, accertatevi che sia aperta. Questo è molto importante per evitare che i bambini vi restino intrappolati, cosa che può provocarne la morte.

Installazione

L'apparecchio è concepito per operare a una temperatura ambiente compresa tra -15°C e +43°C.

Se la temperatura ambiente è al di sopra di +43°C, la temperatura all'interno dell'elettrodomestico può salire.

Installare l'elettrodomestico lontano da fonti di calore o da fiamme. Se collocato in una stanza calda o sotto la luce diretta del sole o vicino a una fonte di calore (termosifoni, fornelli, forni), il consumo di energia aumenta e la durata del prodotto sarà inferiore.

- Rispettare le seguenti distanze minime:
 - 100 cm da fornelli a carbone o a olio combustibile;
 - 150 cm da fornelli elettrici o a gas.
- Verificare che l'aria circoli liberamente intorno all'elettrodomestico osservando le distanze mostrate nell'elemento 2. Montare sul condensatore (nella parte posteriore) i distanziatori forniti (elemento 3).
- Posizionare l'elettrodomestico in luoghi ben

- ventilati, perfettamente piani e asciutti. Montare gli accessori forniti.

Collegamento elettrico

L'elettrodomestico è progettato per il funzionamento con tensione monofase di 220-240V/50 Hz. Prima di collegare l'elettrodomestico, assicurarsi che i parametri della rete elettrica domestica (tensione, tipo di corrente, frequenza) siano conformi ai parametri di funzionamento dell'elettrodomestico.

- Le informazioni relative alla tensione di alimentazione e alla potenza di assorbimento sono riportate sull'etichetta posta nella parte posteriore del freezer.
- L'installazione elettrica deve essere conforme ai requisiti di legge.
- **È obbligatorio mettere a terra l'elettrodomestico. Il produttore non è responsabile per danni a persone, animali o cose che derivino dalla mancata osservanza delle condizioni specificate.**
- L'elettrodomestico è dotato di cavo di alimentazione e spina (tipo europeo, contrassegnata 10/16 A) con doppio contatto di messa a terra di sicurezza. Se la presa non è dello stesso tipo della spina, chiedere ad un elettricista specializzato di sostituirla.
- Non utilizzare prolunghe o adattatori multipli.

Spegnimento

Lo spegnimento dell'elettrodomestico deve essere possibile estraendo la spina dalla presa o tramite un interruttore a due poli posto prima della presa.

Funzionamento

Prima della messa in funzione, pulire l'interno dell'elettrodomestico (vedere il capitolo "Pulizia").

Dopo aver completato questa operazione, collegare l'elettrodomestico, regolare la manopola del termostato in posizione media. Le spie verde e rossa di segnalazione blocco devono illuminarsi. Lasciare l'elettrodomestico in funzione per almeno 2 ore senza cibo all'interno.

È possibile congelare cibi freschi dopo almeno 20 ore di funzionamento.

Descrizione dell'elettrodomestico

(Elemento 1)

1. Maniglia della porta:
2. Porta
3. Alloggiamento della lampadina
4. Cestello
5. Prova
6. Alloggiamento della serratura
7. Scatola del termostato
8. Distanziatore per trasporto

Funzionamento del freezer

Regolazione della temperatura

La temperatura del freezer viene regolata tramite una manopola montata sul termostato; (elemento 4) essendo la posizione "MAX" la temperatura più bassa.

Le temperature raggiunte possono variare in base alle condizioni di utilizzo dell'elettrodomestico, ad esempio: Posizione, temperatura ambientale, frequenza di apertura dello sportello, estensione di riempimento con cibo del freezer. La posizione della manopola del termostato cambierà in base a questi fattori. In genere con una temperatura ambientale di circa 32°C, il termostato verrà regolato su una posizione media.

Il sistema di segnalazione si trova sulla parte anteriore del freezer (elemento 5).

Include:

1. Manopola di regolazione del termostato: viene regolata la temperatura interna.
2. spia verde: indica che l'elettrodomestico è alimentato.
3. spia rossa - danno: si illumina se la temperatura interna del freezer è troppo elevata. La spia si illuminerà per 15-45 minuti dopo aver collegato l'elettrodomestico, quindi deve spegnersi. Se la spia si illumina durante il funzionamento, significa che si sono verificati dei guasti.

4. LED arancione - funzione di congelamento rapido attivata - impostando la manopola in posizione Superfreeze, il LED arancione si accende, mostrando che l'elettrodomestico è entrato in modalità di congelamento rapido. L'uscita da questa modalità avviene automaticamente dopo 50 ore, poi l'apparecchio funziona in modalità economica e il LED arancione si spegne.

Le tre spie informano sulla modalità di funzionamento del freezer.

Consigli per la conservazione del cibo

Il freezer è progettato per la conservazione a lungo termine di cibi congelati e per congelare cibi freschi.

Uno degli elementi principali per il congelamento corretto dei cibi è la confezione.

Le condizioni principali che la confezione deve soddisfare sono le seguenti: essere a tenuta d'aria, essere inerte rispetto al cibo, resistere alle basse temperature, essere a prova di liquidi, grassi, vapore acqueo, odori e essere lavabile.

Queste condizioni sono soddisfatte dai seguenti tipi di confezioni: pellicola di plastica o alluminio, bicchieri di carta cerata o di plastica.

IMPORTANTE!

- Per congelare cibi freschi utilizzare il cestello in dotazione.
- Non posizionare nel freezer una quantità di cibo troppo grande in una sola volta. La qualità del cibo viene conservata al meglio se si congela completamente il più rapidamente possibile. Per tale motivo è sconsigliato superare la capacità di congelamento dell'elettrodomestico specificata nei "Dati dell'elettrodomestico".
- Il cibo fresco non deve venire a contatto con cibo già congelato.
- Il cibo acquistato già congelato deve essere posto nel freezer senza regolazione del termostato.

Se la data di congelamento non è riportata sulla confezione, considerare un periodo di massimo 3 mesi in linea generale.

- Il cibo, anche parzialmente scongelato, non può essere ricongelato, deve essere consumato immediatamente o colto e ricongelato.
- Le bevande frizzanti non verranno conservate nel freezer.
- In caso di guasti all'alimentazione, non aprire lo sportello dell'elettrodomestico. Il cibo congelato non subirà effetti negativi se il guasto dura meno di 36 ore.

Congelamento con Superfrost

- Posizionare la manopola in posizione Superfrost. La spia Superfrost si accende.
- Attendere 24 ore.
- Mettere gli alimenti freschi nel freezer. Per ottenere il congelamento rapido, gli alimenti devono essere in contatto con le pareti interne quando sono posti nel freezer.
- La funzione Superfrost disattiva automaticamente la procedura di congelamento rapido dopo 50 ore.

Importante

Quando si porta la manopola in posizione Superfrost, il compressore potrebbe non avviarsi per alcuni minuti. Ciò è dovuto all'interruttore di avvio ritardato integrato, concepito per prolungare la vita dell'apparecchio.

Non bisogna attivare la posizione Superfrost:

- quando si mettono alimenti congelati nel freezer;
- quando si congelano fino a 2 kg di alimenti freschi al giorno.

Sbrinamento dell'elettrodomestico

- Si consiglia di sbrinare il freezer almeno due volte all'anno o quando lo spessore del ghiaccio diventa troppo elevato.
 - La formazione di ghiaccio è un fenomeno normale.
 - La quantità e la rapidità della formazione di ghiaccio dipende dalle condizioni ambientali e dalla frequenza di apertura dello sportello.
 - Si consiglia di sbrinare l'elettrodomestico quando la quantità di cibo congelato è minima.
 - Prima dello sbrinamento, regolare la manopola del termostato su una posizione superiore in modo che il cibo si conservi più freddo.
- Scollegare l'elettrodomestico;
- Estrarre il cibo congelato, avvolgerlo in vari fogli di carta e porli in luogo freddo o nel frigorifero.
- Prendere il pannello separatore e messo sotto il congelatore in direzione del tubo gocciolamento. Tirare fuori la spina. L'acqua che i risultati saranno raccolti nel vassoio speciale (pannello separatore). Dopo lo sbrinamento del ghiaccio, rimuovere l'acqua con un panno o una spugna, poi asciugare bene. Collegare l'elettrodomestico e accenderlo. (Elemento 6)
- Lasciare aperti gli sportelli per evitare la formazione di odori sgradevoli;

Non utilizzare oggetti metallici acuminati per rimuovere il ghiaccio.

Non utilizzare asciugacapelli a alter apparecchiature di riscaldamento per sbrinare.

Pulizia interna

Prima di cominciare la pulizia, scollegare l'elettrodomestico dalla rete elettrica.

- Si consiglia di pulire l'elettrodomestico quando si esegue lo sbrinamento.
- Lavare l'interno con acqua tiepida con aggiunta di detersivi naturali. Non utilizzare sapone, detersivo, gasolio o acetone che possono lasciare odori forti.
- Pulire con una spugna bagnata e asciugare con un panno morbido.

Nel corso di questa operazione, evitare acqua in eccesso per prevenire che penetri nell'isolamento termico del dispositivo, il che potrebbe causare odori sgradevoli.

Non dimenticare di pulire anche la guarnizione dello sportello, soprattutto le stecche a soffiato, con un panno pulito.

Pulizia esterna

- Pulire l'esterno del freezer utilizzando una spugna immersa in acqua calda, strofinare con un panno morbido e asciutto.
- la pulizia dell'esterno del circuito di raffreddamento (motocompressore, condensatore, tubi di collegamento) verrà effettuata con una spazzola morbida o con l'aspirapolvere. Nel corso di questa operazione, fare attenzione a non distorcere i tubi e a non staccare i cavi.

Non utilizzare materiali per strofinamento o abrasivi!

- Dopo aver terminato la pulizia, riporre gli accessori in posizione e collegare l'elettrodomestico.

Sostituzione della lampadina interna

Se la lampadina si brucia, scollegare l'elettrodomestico dall'alimentazione principale. Tirare fuori la lampadina. Accertarsi che sia correttamente svitata. Collegare nuovamente l'elettrodomestico. Se la lampadina ancora non si accende sostituirla con un'altra modello E14-15W e montarla al suo posto.

La lampada (le lampade) usata (usate) nell'apparecchiatura non è (sono) adatta (adatte) per l'illuminazione domestica. L'obiettivo previsto per questa lampada è quello di assistere l'utente in fase di posizionamento degli alimenti all'interno del frigorifero / congelatore in modo sicuro e comodo.

Le lampadine utilizzate in questo apparecchio devono sopportare condizioni fisiche estreme come temperature inferiori a -20 °C.

Guida per l'individuazione di difetti

L'elettrodomestico non funziona

- Vi è una mancanza di alimentazione.
- La spina del cavo di alimentazione non è ben inserita nella presa.
- Il fusibile è bruciato.
- Il termostato è in **posizione "OFF"**.

La temperatura non è abbastanza bassa (è acceso il LED su)

- Il cibo impedisce la chiusura dello sportello.
- L'elettrodomestico non è stato posizionato correttamente.
- L'elettrodomestico è posizionato troppo vicino a una fonte di calore.
- La manopola del termostato non è nella posizione corretta.

Formazione eccessiva di ghiaccio

- Lo sportello non è stato chiuso correttamente.

L'elettrodomestico non funziona

- La lampadina è bruciata. Scollegare l'elettrodomestico dalla rete di alimentazione, togliere la lampadina e sostituirla con una nuova.

Le seguenti condizioni non sono difetti

- Possibili oscillamenti e rumori provenienti dal prodotto: circolazione del refrigerante nel sistema.

Rumori durante il funzionamento

Per mantenere la temperatura al valore regolato, i compressori dell'elettrodomestico si avviano periodicamente.

I rumori avvertiti in questa situazione sono normali.

Si riducono appena l'elettrodomestico raggiunge la temperatura di funzionamento.

Il gorgoglio viene emesso dal compressore.


Può diventare un po' più forte quando il compressore si avvia.

I rumori di ribollito e gorgoglio, provocati dal refrigerante che circola nei tubi dell'elettrodomestico, sono normali durante il funzionamento.

Avvertenza!

Non provare mai a riparare l'elettrodomestico o i suoi componenti da soli. Tutte le riparazioni eseguite da persone non autorizzate sono pericolose per l'utente e possono causare l'annullamento della garanzia.



Il simbolo  sul prodotto o sulla confezione indica che questo prodotto non può essere trattato come normale rifiuto domestico. Invece deve essere portato al punto di raccolta adatto per il riciclaggio delle apparecchiature elettriche ed elettroniche. Assicurando il corretto smaltimento di questo prodotto, si evitano potenziali conseguenze negative per l'ambiente e la salute, che potrebbero derivare da una gestione inappropriata del prodotto. Per informazioni più dettagliate sul riciclaggio di questo prodotto, contattare l'ufficio cittadino locale, il servizio di smaltimento dei rifiuti domestici o il negozio dove è stato acquistato il prodotto.

4578334012/AM
EN-FR-BG-PT-LT-ES-IT

www.beko.com