

GNE 134620 X

Refrigerator  
Холодильник

**BEKO**

## Please read this manual first!

Dear Customer,

We hope that your product, which has been produced in modern plants and checked under the most meticulous quality control procedures, will provide you an effective service.

For this, we recommend you to carefully read the entire manual of your product before using it and keep it at hand for future references.




### This manual

- Will help you use your appliance in a fast and safe way.
- Read the manual before installing and operating your product.
- Follow the instructions, especially those for safety.
- Keep the manual in an easily accessible place as you may need it later.
- Besides, read also the other documents provided with your product.

Please note that this manual may be valid for other models as well.

### Symbols and their descriptions

This instruction manual contains the following symbols:

-  Important information or useful usage tips.
-  Warning against dangerous conditions for life and property.
-  Warning against electric voltage.



This product is supplied with the selective sorting symbol for waste electrical and electronic equipment (WEEE).

This means that this product must be handled pursuant to European Directive 2002/96/EC in order to be recycled or dismantled to minimise its impact on the environment. For further information, please contact your local or regional authorities.

Electronic products not included in the selective sorting process are potentially dangerous for the environment and human health due to the presence of hazardous substances.



This product was manufactured using the latest technology in environmentally friendly conditions.

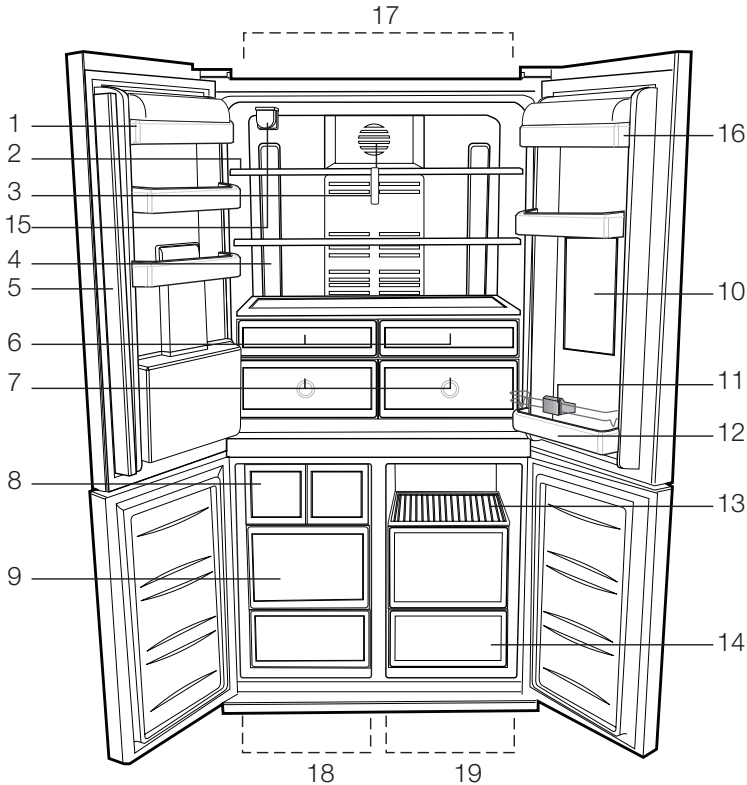
---

## CONTENTS

---

|  |          |  |           |
|--|----------|--|-----------|
| <b>1 Your Refrigerator</b>   | <b>3</b> | <b>4 Preparation</b>   | <b>18</b> |
| <b>2 Important Safety Warnings</b>                                       | <b>4</b> | <b>5 Using your refrigerator</b>   | <b>19</b> |
| Intended use .....   | 4        | Indicator Panel.....   | 19        |
| For products with a water dispenser; ..                                  | 6        | Door Open Alarm: .....   | 22        |
| Child safety.....  | 6        | Things to do to have the filter usage<br>time calculated automatically ..... | 23        |
| HCA Warning .....  | 6        | Sliding Body Shelves .....   | 24        |
| Things to be done for energy saving ..                                   | 7        | Egg tray.....  | 24        |
| Technical specifications of your<br>refrigerator .....                   | 7        | Crisper .....  | 24        |
| Recommenations for freshfood<br>compartment.....                         | 8        | Chiller compartment .....  | 24        |
|  |          | Movable Middle Section .....   | 25        |
|  |          | Multi Zone Storage Compartment ..  | 25        |
|  |          | Blue light .....   | 25        |
|  |          | Sliding Body Shelves With Rear<br>Hangers .....                              | 26        |
|  |          | Butter & Cheese Section .....  | 26        |
|  |          | Using the water spring.....  | 26        |
|  |          | Spillage Tray .....  | 26        |
|  |          | Minibar .....  | 27        |
| <b>3 Installation</b>  | <b>9</b> | <b>6 Cleaning and care</b>   | <b>28</b> |
| Points to be considered when re-<br>transporting your refrigerator ..... | 9        | Protection of plastic surfaces .....   | 28        |
| Before operating your refrigerator .....                                 | 9        |  |           |
| Electric connection .....  | 9        | <b>7 Recommended solutions<br/>for the problems</b>                          | <b>29</b> |
| Changing the illumination lamp .....                                     | 10       |  |           |
| Disposing of the packaging .....   | 10       |  |           |
| Disposing of your old refrigerator .....                                 | 10       |  |           |
| Placing and Installation .....   | 10       |  |           |
| Floor balance adjustment .....   | 11       |  |           |
| Adjusting the gap between the upper<br>door .....                        | 11       |  |           |
| Installing Water Filter .....  | 13       |  |           |
| Connection of the Water Pipe to the<br>Refrigerator .....                | 13       |  |           |
| Connection of Water Hose to the<br>Jug .....                             | 14       |  |           |
| Connection of the Water Pipe to the<br>Cold Water Mains Line .....       | 15       |  |           |
| Prior to first use of Water Dispenser .                                  | 17       |  |           |

# 1 Your Refrigerator



- |                                     |                                      |
|-------------------------------------|--------------------------------------|
| 1- Fridge compartment door shelves  | 10- Minibar                          |
| 2- Fridge compartment glass shelves | 11- Bottle holder                    |
| 3- Diffuser cover                   | 12- Bottle shelf                     |
| 4- Illumination lens                | 13- Food storage compartment shelves |
| 5- Movable middle section           | 14- Food storage compartments        |
| 6- Chiller compartment              | 15- Water Filter                     |
| 7- Crisper                          | 16- Dairy compartment                |
| 8- Icematic                         | 17- Fridge compartment               |
| 9- Frozen food storage compartments | 18- Freezer compartment              |
|                                     | 19- Multi Zone                       |

**i** Figures that take place in this instruction manual are schematic and may not correspond exactly with your product. If the subject parts are not included in the product you have purchased, then it is valid for other models.

## 2 Important Safety Warnings

Please review the following information. Failure to observe this information may cause injuries or material damage. Otherwise, all warranty and reliability commitments will become invalid.

The usage life of the unit you purchased is 10 years. This is the period for keeping the spare parts required for the unit to operate as described.

### Intended use

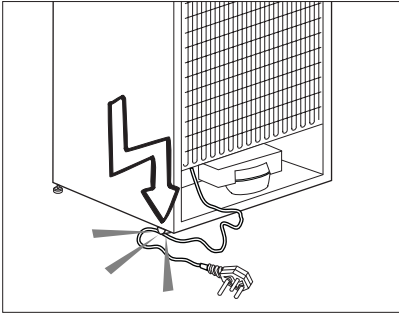
This product is intended to be used

- indoors and in closed areas such as homes;
- in closed working environments such as stores and offices;
- in closed accommodation areas such as farm houses, hotels, pensions.
- This product should not be used outdoors.

### General safety

- When you want to dispose/scrap the product, we recommend you to consult the authorized service in order to learn the required information and authorized bodies.
- Consult your authorized service for all your questions and problems related to the refrigerator. Do not intervene or let someone intervene to the refrigerator without notifying the authorised services.
- For products with a freezer compartment; Do not eat cone ice cream and ice cubes immediately after you take them out of the freezer compartment! (This may cause frostbite in your mouth.)
- For products with a freezer compartment; Do not put bottled and canned liquid beverages in the freezer compartment. Otherwise, these may burst.
- Do not touch frozen food by hand; they may stick to your hand.
- Unplug your refrigerator before cleaning or defrosting.
- Vapor and vaporized cleaning materials should never be used in cleaning and defrosting processes of your refrigerator. In such cases, the vapor may get in contact with the electrical parts and cause short circuit or electric shock.
- Never use the parts on your refrigerator such as the door as a means of support or step.
- Do not use electrical devices inside the refrigerator.
- Do not damage the parts, where the refrigerant is circulating, with drilling or cutting tools. The refrigerant that might blow out when the gas channels of the evaporator, pipe extensions or surface coatings are punctured causes skin irritations and eye injuries.
- Do not cover or block the ventilation holes on your refrigerator with any material.
- Electrical devices must be repaired by only authorised persons. Repairs performed by incompetent persons create a risk for the user.
- In case of any failure or during a maintenance or repair work, disconnect your refrigerator's mains supply by either turning off the relevant fuse or unplugging your appliance.

- Do not pull by the cable when pulling off the plug.
- Place the beverage with higher proofs tightly closed and vertically.
- Never store spray cans containing flammable and explosive substances in the refrigerator.
- Do not use mechanical devices or other means to accelerate the defrosting process, other than those recommended by the manufacturer.
- This product is not intended to be used by persons with physical, sensory or mental disorders or unlearned or inexperienced people (including children) unless they are attended by a person who will be responsible for their safety or who will instruct them accordingly for use of the product
- Do not operate a damaged refrigerator. Consult with the service agent if you have any concerns.
- Electrical safety of your refrigerator shall be guaranteed only if the earth system in your house complies with standards.
- Exposing the product to rain, snow, sun and wind is dangerous with respect to electrical safety.
- Contact authorized service when there is a power cable damage to avoid danger.
- Never plug the refrigerator into the wall outlet during installation. Otherwise, risk of death or serious injury may arise.
- This refrigerator is intended for only storing food items. It must not be used for any other purpose.
- Label of technical specifications is located on the left wall inside the refrigerator.
- Never connect your refrigerator to electricity-saving systems; they may damage the refrigerator.
- If there is a blue light on the refrigerator, do not look at the blue light with optical tools.
- For manually controlled refrigerators, wait for at least 5 minutes to start the refrigerator after power failure.
- This operation manual should be handed in to the new owner of the product when it is given to others.
- Avoid causing damage on power cable when transporting the refrigerator. Bending cable may cause fire. Never place heavy objects on power cable. Do not touch the plug with wet hands when plugging the product.
- Do not plug the refrigerator if the wall outlet is loose.
- Water should not be sprayed directly on inner or outer parts of the product for safety purposes.
- Do not spray substances containing inflammable gases such as propane gas near the refrigerator to avoid fire and explosion risk.
- Never place containers filled with water on top of the refrigerator, otherwise this may cause electric shock or fire.
- Do not overload your refrigerator with excessive amounts of food. If overloaded, the food items may fall down and hurt you and damage refrigerator when you open the door. Never place objects on top of the refrigerator; otherwise, these objects may fall down when you open or close the refrigerator's door.



- As they require a precise temperature, vaccines, heat-sensitive medicine and scientific materials and etc. should not be kept in the refrigerator.
- If not to be used for a long time, refrigerator should be unplugged. A possible problem in power cable may cause fire.
- The plug's tip should be regularly cleaned; otherwise, it may cause fire.
- Refrigerator may move if adjustable legs are not properly secured on the floor. Properly securing adjustable legs on the floor can prevent the refrigerator to move.
- When carrying the refrigerator, do not hold it from door handle. Otherwise, it may be snapped.
- When you have to place your product next to another refrigerator or freezer, the distance between devices should be at least 8cm. Otherwise, adjacent side walls may be humidified.

## For products with a water dispenser;

Pressure of water mains should be minimum 1 bar. Pressure of water mains should be maximum 8 bars.

- Use only potable water.

## Child safety

- If the door has a lock, the key should be kept away from reach of children.
- Children must be supervised to prevent them from tampering with the product.

## HCA Warning

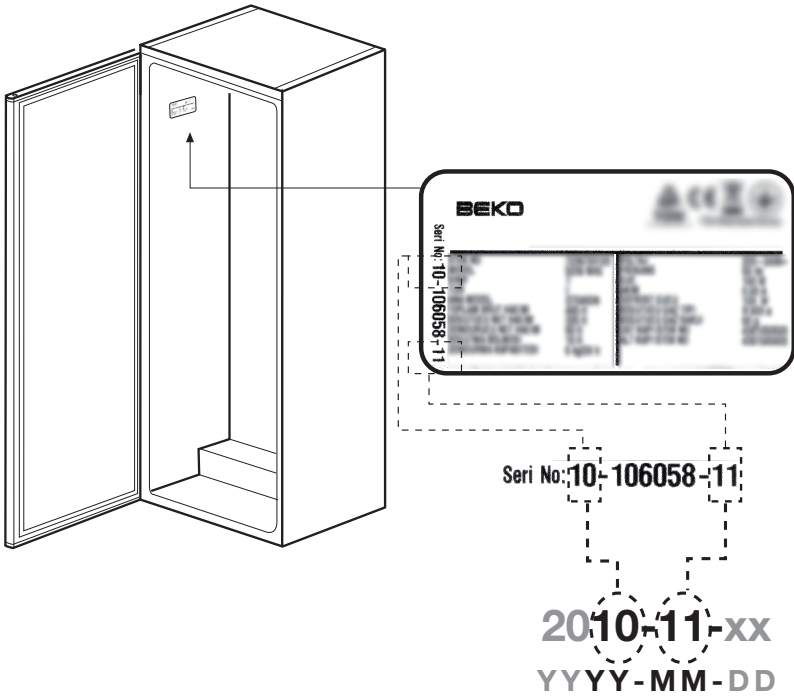
### If your product's cooling system contains R600a:

This gas is flammable. Therefore, pay attention to not damaging the cooling system and piping during usage and transportation. In the event of damage, keep your product away from potential fire sources that can cause the product catch a fire and ventilate the room in which the unit is placed.

### Ignore this warning if your product's cooling system contains R134a.

Type of gas used in the product is stated in the type plate which is on the left wall inside the refrigerator.

Never throw the product in fire for disposal.



## Things to be done for energy saving

- Do not leave the doors of your refrigerator open for a long time.
- Do not put hot food or drinks in your refrigerator.
- Do not overload your refrigerator so that the air circulation inside of it is not prevented.
- Do not install your refrigerator under direct sunlight or near heat emitting appliances such as ovens, dishwashers or radiators.
- Pay attention to keep your food in closed containers.
- For products with a freezer compartment; You can store maximum amount of food items in the freezer when you remove the shelf or drawer of the freezer. Energy consumption value stated for your refrigerator has been determined by removing freezer shelf or drawer and under maximum load. There is no harm to use a shelf or drawer according to the shapes and size of food to be frozen.
- Thawing frozen food in fridge compartment will both provide energy saving and preserve the food quality.

| Technical specifications of your refrigerator |     |
|---|-----|
| Energy efficiency class                       | A + |
| Protection class                              | 1   |



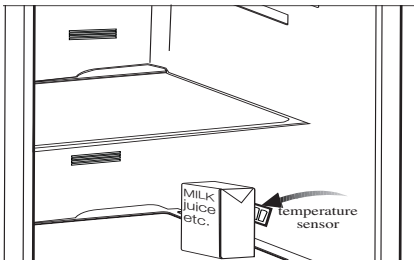
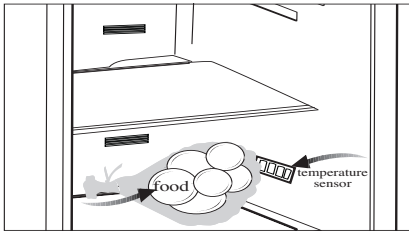
## Reccomendations for freshfood compartment

### \* OPTIONAL

- Please do not let any foodstuff to come to contact with the temperature sensor in freshfood compartment.

In order to maintain freshfood compartment at ideal storage temperature, the sensor must not be blocked by fodstuffs.

- Do not place hot foodstuff in your appliance.



### 3 Installation

- ⓘ Please remember that the manufacturer shall not be held liable if the information given in the instruction manual is not observed.

#### Points to be considered when re-transporting your refrigerator

1. Your refrigerator must be emptied and cleaned prior to any transportation.
2. Shelves, accessories, crisper and etc. in your refrigerator must be fastened securely by adhesive tape against any jolt before repackaging.
3. Packaging must be tied with thick tapes and strong ropes and the rules of transportation printed on the package must be followed.

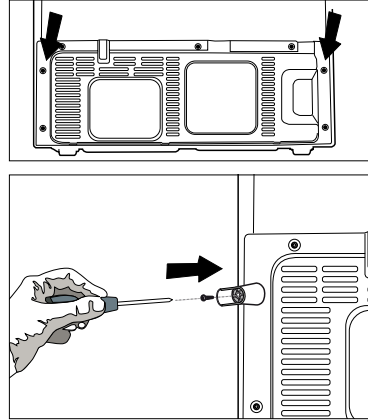
#### ⓘ Always remember...

Every recycled material is an indispensable source for the nature and for our national resources. If you wish to contribute to recycling the packaging materials, you can get further information from the environmental bodies or local authorities.

#### Before operating your refrigerator

Before starting to use your refrigerator check the following:

1. Is the interior of the refrigerator dry and can the air circulate freely in the rear of it?
2. Insert the 2 plastic wedges onto the rear ventilation cover as illustrated in the following figure. To do this, remove the screws on the product and use the screws given in the same pouch.



Plastic wedges will provide the required distance between your refrigerator and the wall in order to allow the air circulation.

3. Clean the interior of the refrigerator as recommended in the “Maintenance and cleaning” section.
4. Plug the refrigerator into the wall outlet. When the door is open the respective interior light will come on.
5. You will hear a noise as the compressor starts up. The liquid and gases sealed within the refrigeration system may also give rise to noise, even if the compressor is not running and this is quite normal.
6. Front edges of the refrigerator may feel warm. This is normal. These areas are designed to be warm to avoid condensation.

#### Electric connection

Connect your refrigerator to a grounded socket which is being protected by a fuse with the appropriate capacity.

Important:

- ⚠ The connection must be in compliance with national regulations.
- ⚠ The power cable plug must be easily accessible after installation.
- ⚠ Voltage and allowable fuse protection are specified in the “Technical Specifications” section.
- ⚠ The specified voltage must be equal to your mains voltage.
- ⚠ Extension cables and multiway plugs must not be used for connection.
- ⚠ A damaged power cable must be replaced by a qualified electrician.
- ⚠ The appliance must not be operated before it is repaired! There is danger of electric shock!

## Disposing of the packaging

- ⚠ The packing materials may be dangerous for children. Keep the packing materials out of the reach of children or dispose them of by classifying them in accordance with the waste instructions. Do not dispose them of along with the normal household waste.

The packing of your refrigerator is produced from recyclable materials.

## Changing the illumination lamp

To change the lamp used for illumination of your refrigerator, please call your Authorized Service.

## Disposing of your old refrigerator

Dispose of your old machine without giving any harm to the environment.

- ⚠ You may consult your authorized dealer or waste collection center of your municipality about the disposal of your refrigerator.
- ⚠ Before disposing of your refrigerator, cut out the electric plug and, if there are any locks on the door, make them inoperable in order to protect children against any danger.

## Placing and Installation

⚠ Caution: Never plug the refrigerator into the wall outlet during installation. Otherwise, risk of death or serious injury may arise.

⚠ If the entrance door of the room where the refrigerator will be installed is not wide enough for the refrigerator to pass through, than call the authorised service to have them remove the doors of your refrigerator and pass it sideways through the door.

1. Install your refrigerator to a place that allows ease of use.
2. Keep your refrigerator away from heat sources, humid places and direct sunlight.
3. There must be appropriate air ventilation around your refrigerator in order to achieve an efficient operation.

If the refrigerator is to be placed in a recess in the wall, there must be at least 5 cm distance with the ceiling and at least 5 cm with the wall.

If the floor is covered with a carpet, your product must be elevated 2.5 cm from the floor.

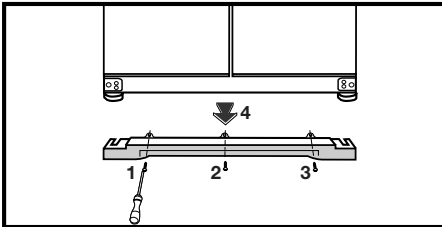
4. Place your refrigerator on an even floor surface to prevent jolts.

5. Do not keep your refrigerator in ambient temperatures under 10°C.

## Floor balance adjustment

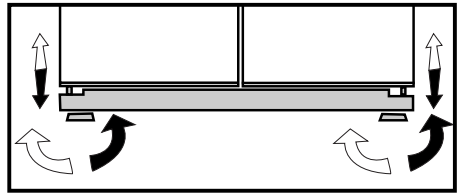
⚠ If your refrigerator is unbalanced;

⚠ First unplug the product. The product must be unplugged when making the balance adjustment. There is the risk of electric shock.



1- Ventilation cover is removed by unscrewing its screws as illustrated in the figure before the procedure.

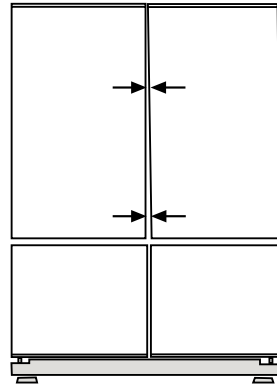
You can balance your refrigerator by turning the front legs of it as illustrated in the figure. The corner where the leg exists is lowered when you turn in the direction of black arrow and raised when you turn in the opposite direction. Taking help from someone to slightly lift the refrigerator will facilitate this process.



2. After the balance issue is remedied, install back the ventilation cover and fasten the screws.

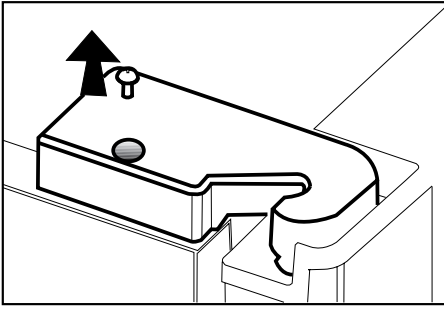
3. Remove the screws fastening the lower ventilation cover using a Philips screwdriver.

## Adjusting the gap between the upper door

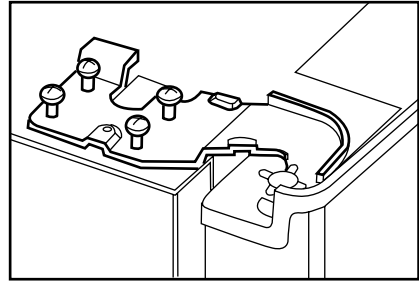


**i** You can adjust the gap between the fridge compartment doors as illustrated in the figures.

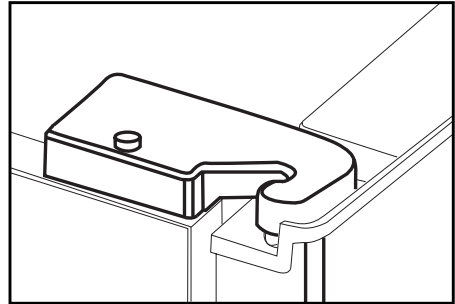
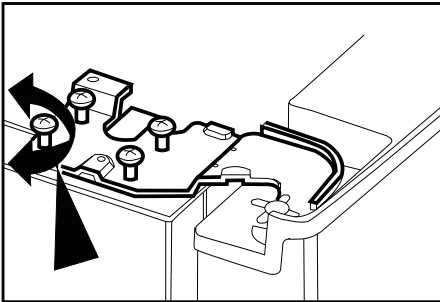
Door shelves should be empty when adjusting the door height.



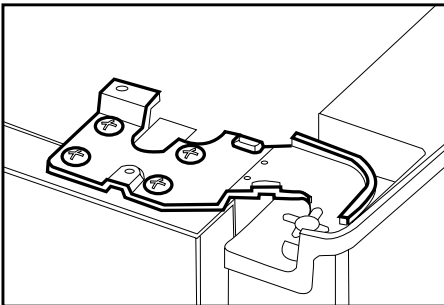
**i** Using a screwdriver, remove the screw of upper hinge cover of the door you want to adjust.



**i** Fix the door you have adjusted by tightening the screws without changing the position of the door.



**i** Replace the hinge cover and fix with the screw.



**i** Adjust the door appropriately as you desire by loosening the screws.

## Installing Water Filter (in some models)

**Two different water sources may be connected to the refrigerator for water supply: the mains cold water supply and water in a jug.**

### Installation Requirements

A pump should be used for jug water usage.

Check that the parts stated below are supplied with your appliance.

1. Union for connection of the water pipe to the rear of the appliance.  
(If it does not fit, provide it from the nearest authorized service.)
2. 2 pieces of pipe clips (In case required to secure the water pipe)

Note: Since the following parts are not required in use with a jug, they may not be found in the product you purchased.

3. 5-meter long water pipe (1/4 inch in diameter)
4. Cold mains water valve with mesh filter (Tap Adapter)

5. Water Filter or externally connectable filter to be fitted to the bracket inside the fridge compartment.

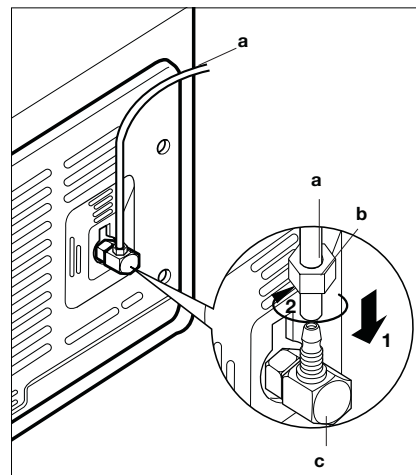
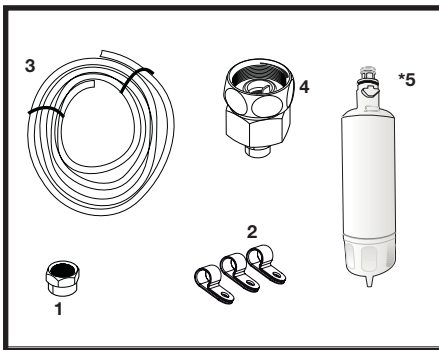
Place where the external filter is going to be fitted should be determined first. (Applies to the filter being used outside the refrigerator.) Then, determine the distance between the filter and the refrigerator and required hose lengths from the filter to the refrigerator water inlet.

Water filter must be hold upright as shown in the figure. It is important to properly attach the filter to water inlet and water outlet points.

After attaching the filter, do not use first 3-4 glasses of water.

### Connection of the Water Pipe to the Refrigerator

1. After installing the union onto the water pipe, insert the water pipe to the refrigerator inlet valve by pressing downwards firmly.
2. Fix union as seen in the opposite figure, by squeezing by hand on the refrigerator inlet valve.



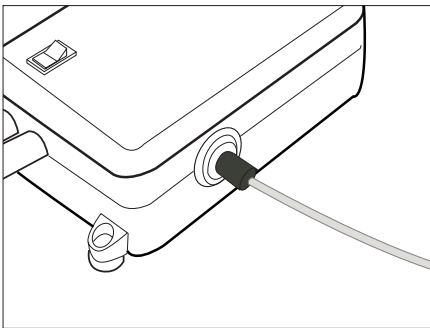
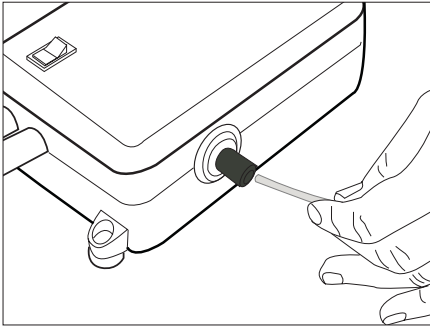
(a- Water Pipe, b-Union, c-Valve)

**i** Note 1: You should not need to tighten the union with a tool to achieve water tight assembly. In case of a leak use a spanner or a pair of pliers to tighten the union.

## Connection of Water Hose to the Jug

(in some models)

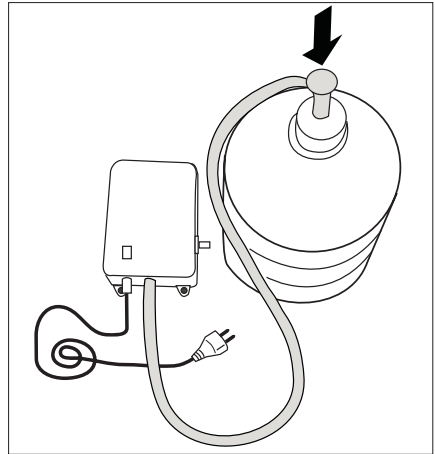
To connect water to the refrigerator from a jug, a pump is needed. Follow the instructions below after connecting one end of the water pipe coming out of the pump to the refrigerator as described on the previous page.



1. Finish the connection by pushing the other end of the water pipe into the water pipe inlet of the pump as shown in the figure.
2. Put and fix the pump hose into the jug as shown in the figure.
3. After completing the connection, plug in and run the pump.

To provide an efficient operation of the pump, wait for 2-3 minutes after starting the pump.

**i** You may refer to the user manual of the pump while making the water connection.



- i** There is no need to use water filter in case a jug is used.
- i** Pump must be used when jug will be used.

## Connection of the Water Pipe to the Cold Water Mains Line

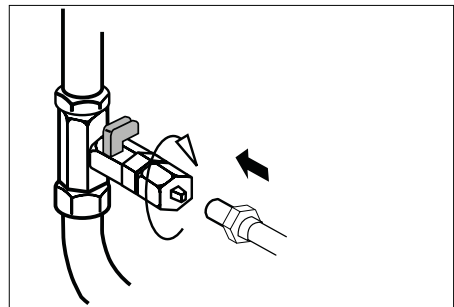
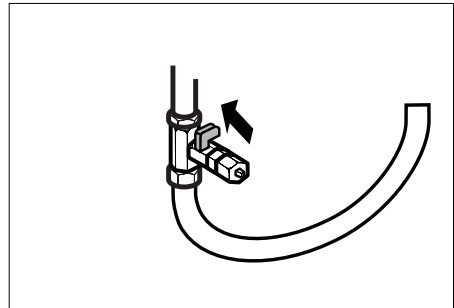
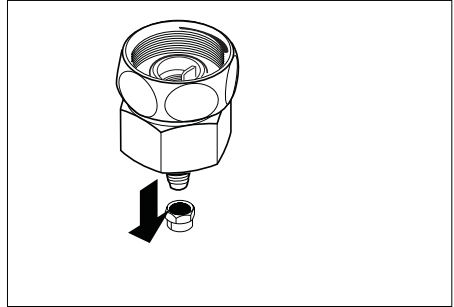
### (in some models)

If you want to use your refrigerator by connecting it to the cold water mains line,

you will have to connect a standard 1/2" valve connection fitting to the cold water supply in your house. In case this valve is not present or in case you are not sure, consult a qualified plumber.

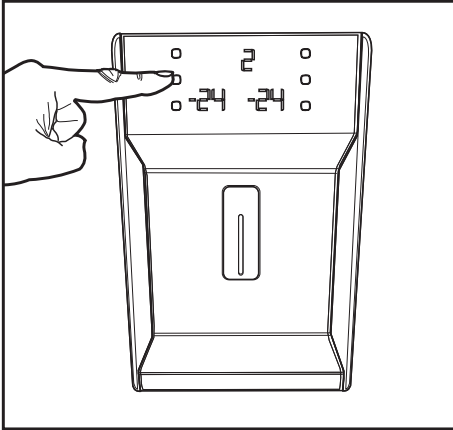
1. Separate the union from the tap adaptor. (Figure A)
2. Install the tap adaptor to 1/2" valve fitting as shown in the figure. (Figure B)
3. After inserting the water pipe to the union, install it to the tap adaptor and insert to the tap as shown in the figure. (Figure C)
4. Tighten the union manually. In case of a leak use a spanner or a pair of pliers to tighten the union.

**⚠ Caution:** Secure the water pipe to suitable points by means of the pipe clips supplied to avoid any damage or displacement or accidental disconnection.

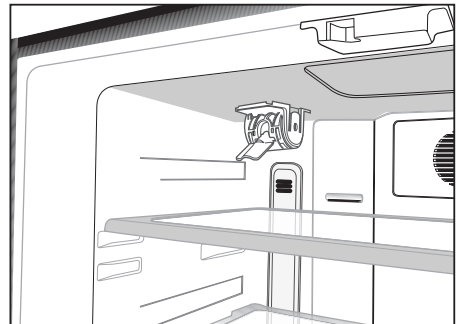
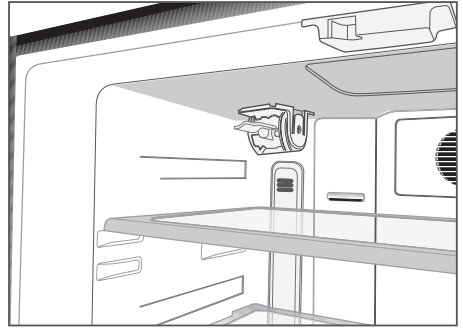
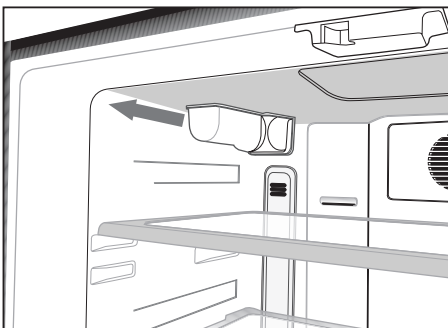




**⚠ Caution:** After turning on the water valve, make sure that there is no leakage at both connection points of the water pipe. In case of a leak, turn off the valve immediately and tighten all joints again using a spanner or a pair of pliers.



**⚠ Caution:** Make sure that standard 1/2" valve fitting fed by cold mains water supply is available and is turned off fully.



To fit the water filter follow the instructions below referring to figures supplied:

1. Press ice cancel button on the display.
2. Remove the filter cover in the fridge compartment by pulling it forward.
3. Take out the water filter by-pass cover by rotating it downwards.

**⚠ Caution:** Make sure that the "Ice off" mode is active before taking out the by-pass cover.

Note: It is normal that a few drops of water drip after the cover has been taken out.

4. Remove the lid on top of the water filter to place it as shown in the figure and turn upwards to lock it.

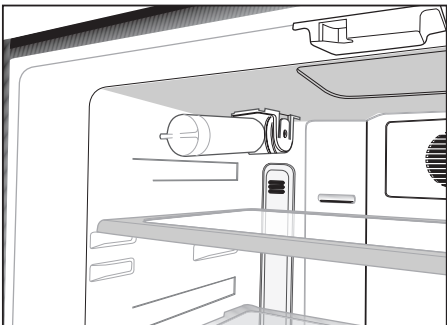
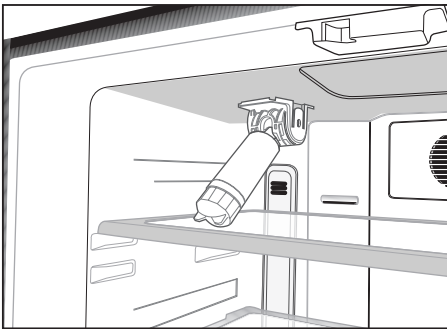
5. Press ice cancel button on the display again to exit from this mode. Water filter should be replaced every 6 months.

If you want to have the filter change time calculated automatically and receive a warning at the end of usage time, please read "Calculating the Filter Usage Time Automatically" section.

The water filter must be removed as shown in the figure when it is going to be replaced or when it will no longer be used and by-pass cover must be attached. It must be made sure that Ice Off mode is active before taking it out.

**⚠ Caution:** Water filter cleans some foreign particles in the water. It does not purify water from microorganisms.

**⚠ Caution:** Ice Off button must always be pressed during replacement of the



water filter or installing the by-pass cover.

## Prior to first use of Water Dispenser

**i** Water mains pressure must not be below 1 bar.

**i** Water mains pressure must not be above 8 bars.

**i** Pumps must be used in case the supply water pressure drops below 1 bar or if a jug is going to be used.

**i** Water system of the refrigerator must be connected to the cold water line. It must not be connected to hot water line.

**i** No water may be obtained in the initial operation of the refrigerator. This is caused by the air in the system. To discharge air from the system, press Dispenser latch for periods of 1 minute until water comes from the Dispenser. Water flow may be irregular in the beginning. Irregular water flow will be normalized after the air in the system is discharged.

**i** At the initial startup of the refrigerator approx. 12 hours must pass before cold water can be obtained.

**i** Water mains pressure must be between 1-8 bars for the operation of Ice/Water Dispenser smoothly. For this, check that 1 glass of water (100 cc) can be filled in 10 seconds.

**i** The first 10 glasses of water should not be consumed.

**i** Approximately the first 30 cubes of ice to be obtained from the Ice Dispenser must not be used.

**i** Always use the water filter when a jug is not being used.

## 4 Preparation

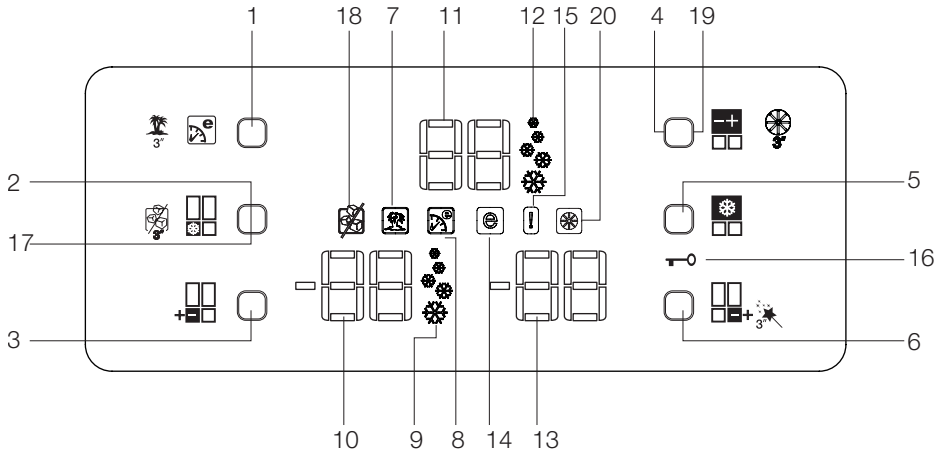
---

- i** Your refrigerator should be installed at least 30 cm away from heat sources such as hobs, ovens, central heater and stoves and at least 5 cm away from electrical ovens and should not be located under direct sunlight.
- i** The ambient temperature of the room where you install your refrigerator should at least be 10°C. Operating your refrigerator under cooler conditions than this is not recommended with regard to its efficiency.
- i** Please make sure that the interior of your refrigerator is cleaned thoroughly.
- i** If two refrigerators are to be installed side by side, there should be at least 2 cm distance between them.
- i** When you operate your refrigerator for the first time, please observe the following instructions during the initial six hours.
  - The door should not be opened frequently.
  - It must be operated empty without any food in it.
  - Do not unplug your refrigerator. If a power failure occurs out of your control, please see the warnings in the “Recommended solutions for the problems” section.
- i** Original packaging and foam materials should be kept for future transportations or moving.

## 5 Using your refrigerator

### Indicator Panel

This touch-control indicator panel allows you to set the temperature without opening the door of your refrigerator. Just touch the relevant button with your finger to set the temperature.



- |  |  |
|--|--|
| 1. Eco-Extra / Vacation Button                       | 11. Fridge Compartment Temperature Indicator     |
| 2. Fast Freeze Button                                | 12. Quick Cool Function Indicator                |
| 3. Freezer Compartment Temperature Setting Button    | 13. Multi Zone Compartment Temperature Indicator |
| 4. Fridge Compartment Temperature Setting Button     | 14. Economy Mode Indicator                       |
| 5. Quick Cool Button                                 | 15. Error Status Indicator                       |
| 6. Multi Zone Compartment Temperature Setting Button | 16. Key Lock Indicator                           |
| 7. Vacation Function Indicator                       | 17. Ice Cancel Button                            |
| 8. Eco-Extra Function Indicator                      | 18. Ice Off indicator                            |
| 9. Fast Freeze Function Indicator                    | 19. Cancel Filter Change Warning Button          |
| 10. Freezer Compartment Temperature Indicator        | 20. Filter Change Warning Indicator              |

**i** Figures that take place in this instruction manual are schematic and may not correspond exactly with your product. If the subject parts are not included in the product you have purchased, then it is valid for other models.

### **1. Eco Extra/Vacation Button**

Press this button briefly to activate the Eco Extra function. Press and hold this button for 3 sec. to activate the Vacation function. Press this button again to deactivate the selected function.

### **2. Fast Freeze Button**

Press this button briefly to activate the Fast Freeze function. Press this button again to deactivate the selected function.

### **3. Freezer Compartment Temperature Setting Button**

Press this button to set the temperature of the freezer compartment to -18, -20, -22, -24, -18... respectively. Press this button to set the desired temperature for the Freezer Compartment.

### **4. Fridge Compartment Temperature Setting Button**

Press this button to set the temperature of the fridge compartment to 8, 6, 4, 2, 8... respectively. Press this button to set the desired temperature for the Fridge Compartment.

### **5. Quick Cool Button**

Press this button briefly to activate the Quick Cool function. Press this button again to deactivate the selected function.

### **6. Multi Zone Compartment Temperature Setting Button**

You can set the Multi Zone Compartment either as a Freezer or a Cooler. Press and hold this button for a long time (3 sec) to set the Multi Zone Compartment as a Freezer or a Cooler. This compartment is set as a Freezer Compartment at factory.

If the Multi Zone Compartment is set as a Freezer, then the temperature of the Multi Zone Compartment will change as -18, -20, -22, -24, -18... respectively each time you press this button. If the Multi Zone Compartment is set as a Fridge, then the temperature of the Multi Zone Compartment will change as 10, 8, 6, 4, 2, 0, -6, ... respectively each time you press this button.

### **7. Vacation Function Indicator**

Indicates that the vacation function is active. If this function is active, "- " appears on the indicator of the fridge compartment and no cooling is performed in the fridge compartment. Other compartments will be cooled in accordance with the temperature set for them.

Press the relevant button again to deactivate this function.

### **8. Eco Extra Function Indicator**

It indicates that the Eco-Extra function is active. If this function is active, your refrigerator will automatically detect the least usage periods and energy-efficient cooling will be performed during those times. Economy indicator will be active while energy-efficient cooling is performed.

Press the relevant button again to deactivate this function.

### **9. Quick Freeze Function Indicator**

It indicates that the Fast Freeze function is active. Use this function when you place fresh food into the freezer compartment or when you need ice. When this function is active, your refrigerator will run for a certain period of time.

Press the relevant button again to deactivate this function.

### **10. Freezer Compartment Temperature Indicator**

It indicates the temperature set for Freezer Compartment.

### **11. Fridge Compartment Temperature Indicator**

Indicates the temperature set for Fridge Compartment.

### **12. Quick Cool Function Indicator**

Indicates that the Quick Cool function is active. Use this function when you place fresh food into the fridge compartment or when you need to cool your food quickly. When this function is active, your refrigerator will run for 2 hours without stopping.

Press the relevant button again to deactivate this function.

### **13. Multi Zone Compartment Temperature Indicator**

It indicates the temperature set for Multi Zone compartment.

### **14. Economy Mode Indicator**

Indicates that the refrigerator is running in energy-efficient mode. Freezer Compartment temperature

This indicator will be active if the function is set to -18 or the energy efficient cooling is being performed due to Eco-Extra function.

### **15. Error Status Indicator**

If your refrigerator does not cool adequately or if there is a sensor failure, this indicator will be activated. When this indicator is active, Freezer Compartment Temperature indicator will display "E" and Fridge Compartment Temperature Indicator will display numbers such as "1,2,3...". These numbers on the indicator provides information about the error to the service personnel.

### **16. Key Lock Indicator**

Use this function if you do not want your refrigerator temperature setting changed. Press Quick Cool Button and Flexi Zone Compartment Temperature Setting Button simultaneously for a long time (3 sec) to activate this feature.

Press the relevant buttons again to deactivate this function.

### **17. Ice Cancel Button**

To stop ice formation, ice cancel button is pressed for 3 seconds. When ice cancel is selected, no water will be sent to the ice box. Despite this, some ice may be leftover in the ice box which may be taken from there. To restart ice formation, ice cancel button has to be pressed for 3 seconds.

### **18. Ice Cancel Indicator**

If you do not want to get ice from the refrigerator, you need to use this function. You may use this function by pressing the ice cancel button for 3 seconds.

### **19. Cancel Filter Change Warning Button**

Filter of your refrigerator must be replaced every 6 months. If you apply instructions on page 22, your refrigerator calculates this time automatically and the filter change warning indicator illuminates when the filter usage time has elapsed. Press Cancel filter change warning button for 3 seconds to allow the refrigerator to calculate the new filter time automatically after changing the filter.

### **20. Cancel Filter Change Warning Indicator**

When the filter usage time has elapsed, filter change warning indicator starts to illuminate.

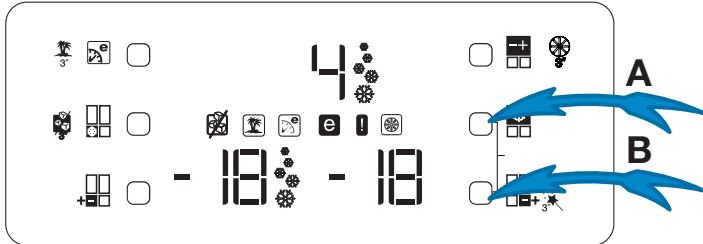
### **Door Open Alarm:**

In case of leaving any of the Fridge Compartment or Flexi Zone Compartment doors open minimum for 1 minute, audible Door Open Alarm will be activated and heard. Just press any button on the indicator or close the open door to silence the alarm.

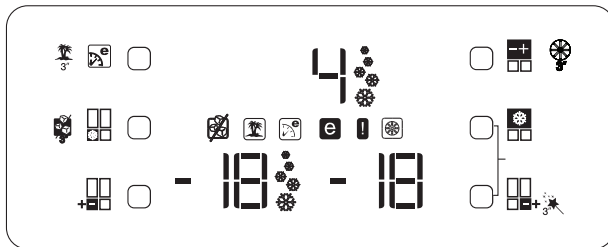
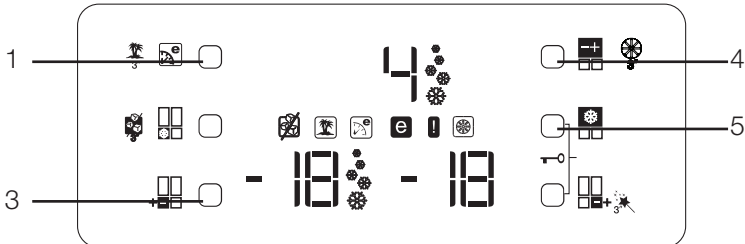
## Things to do to have the filter usage time calculated automatically

(For products connected to the mains water line and equipped with filter)

1- After plugging the refrigerator in, press A and B buttons together to activate the key lock.



2- Then press Eco-Extra (1), Fridge Compartment Temperature Setting (4), Quick Cool (5) and Freezer Compartment Temperature Setting (3) buttons respectively.



If button configuration is pressed in the correct order, key lock symbol will go off, buzzer will be activated shortly, and Filter change warning indicator illuminates. Press cancel filter change warning button (Item 19 in display descriptions) after changing the filter to have the filter usage time calculated automatically.

### NOTE:

1. If the filter usage time is being calculated automatically, filter change warning indicator will illuminate continuously in a few seconds after the product is plugged in.
2. Automatic filter usage time calculation is not active ex factory. It must be activated in products equipped with a filter.
3. Repeat the same procedure in products whose automatic filter usage time calculation is activated in order to deactivate the filter usage time calculation.



## Egg tray

You can install the egg holder to the desired door or body shelf.

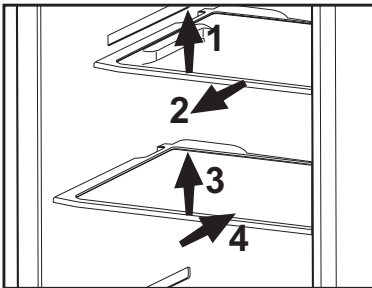
Never store the egg holder in the freezer compartment

## Sliding Body Shelves

Sliding body shelves can be pulled by slightly lifting up from the front and moved back and forth. They come to a stop point when pulled towards front to allow you reach the foods placed at the back of the shelf; when it is pulled after slightly lifted upwards at the second stop point, the body shelf will be released.

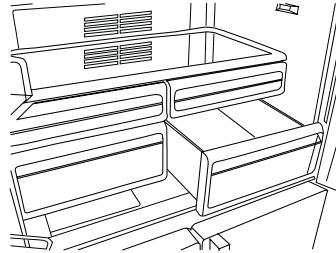
The shelf should be hold tightly from the bottom as well in order to prevent it from tipping over. The body shelf is placed on the rails at the sides of the refrigerator body by bringing it to one lower or one upper level.

The body shelf should be pushed backwards to seat it completely.



## Crisper

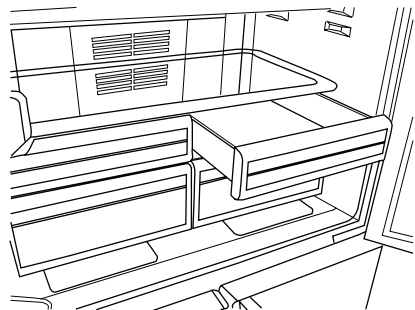
Crisper of your refrigerator is designed specially to keep your vegetables freshly without losing their humidity. For this purpose, cool air circulation occurs around the crisper in general. Remove the door shelves that align with the crisper before removing the crispers. You can remove the crispers as illustrated in the figure.



## Chiller compartment

Chiller compartments enable the foods to be frozen become ready for freezing. You can also use these compartments to store your food at a temperature a few degrees below the fridge compartment.

You can increase the inner volume of your refrigerator by removing any of the chiller compartments. To do this, pull the compartment towards yourself; the compartment will lean against the stopper and stop. This compartment will be released when you lift it about 1 cm and pull it towards yourself.



## Movable Middle Section

Movable middle section is intended to prevent the cold air inside your refrigerator from escaping outside.

1- Sealing is provided when the gaskets on the door presses on the surface of the movable middle section while the fridge compartment doors are closed.

2- Another reason that your refrigerator is equipped with a movable middle section is that it increases the net volume of the fridge compartment. Standard middle sections occupy some non-usable volume in the refrigerator.

3- Movable middle section is closed when the left door of the fridge compartment is closed.

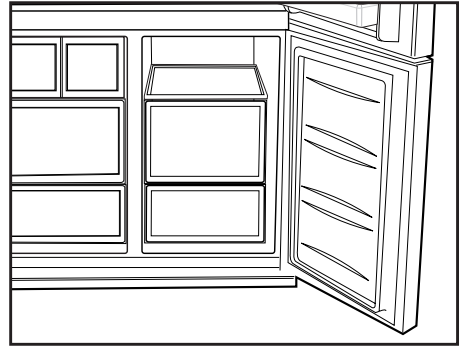
4- It must not be opened manually. It moves under the guidance of the plastic part on the body while the door is closed.

## Multi Zone Storage Compartment

The Multi Zone Storage Compartment of your refrigerator may be used in any desired mode by adjusting it to fridge (2/4/6/8 °C) or freezer (-18/-20/-22/-24) temperatures. You can keep the compartment in the desired temperature with the Multi Zone Storage Compartment Temperature Setting Button. The temperature of the Multi Zone Storage Compartment may be set to 0 and 10 degrees in addition to the fridge compartment temperatures and to -6 degrees in addition to the freezer compartment temperatures. 0 degree is used to

store the deli products longer, and -6 degrees is used to keep the meats up to 2 weeks in an easily cuttable condition.

**i** The feature of switching to a Fridge or Freezer compartment is provided by a cooling element located in the closed section (Compressor Compartment) behind the refrigerator. During operation of this element, sounds similar to the sound of seconds heard from an analog clock may be heard. This is normal and is not fault cause.



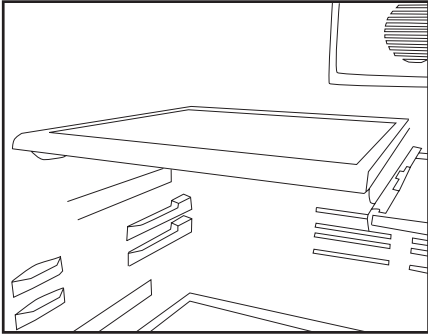
## Blue light

Foodstuff stored in the crispers that are enlightened with a blue light continue their photosynthesis by means of the wavelength effect of blue light and thus, preserve their freshness and increase their vitamin content.



## Sliding Body Shelves With Rear Hangers

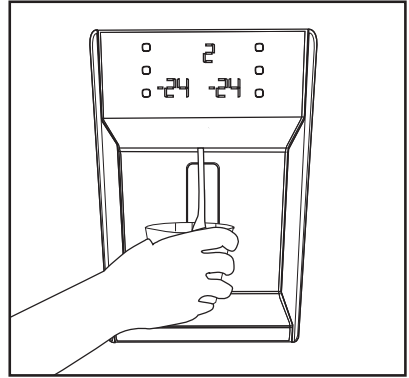
Sliding body shelves with rear hangers can be moved back and forth. Height of these shelves can be adjusted by removing and then installing them to upper or lower positions. Raise the shelf up slightly and pull towards yourself to remove it.



## Using the water spring Warnings

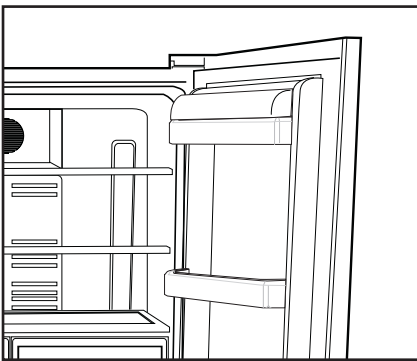
It is normal for the first few glasses of water taken from the dispenser to be warm.

In cases where the water dispenser has not been used frequently, sufficient amount of water must be drained from the dispenser to get fresh water.



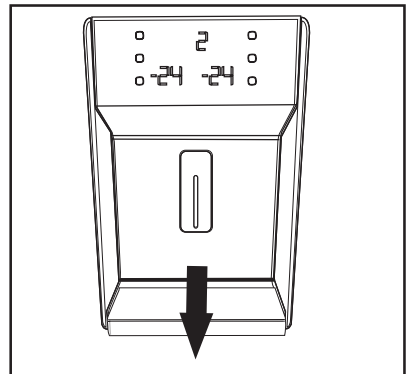
## Butter & Cheese Section

You can store food such as butter, cheese, and margarine in this section which has a lid.



## Spillage Tray

Water drops that drip during use, accumulates in the spillage tray. You can remove spillage tray by pulling it to yourself or pressing on its edge (depending on the model). You can remove the water with a sponge or a soft cloth.



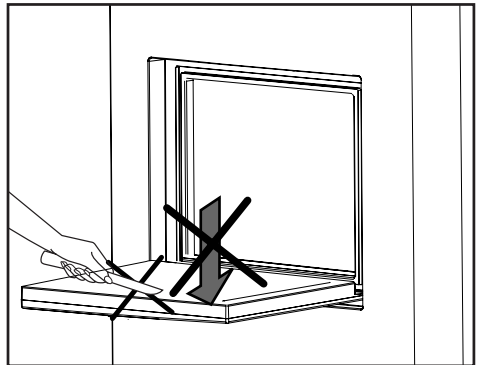
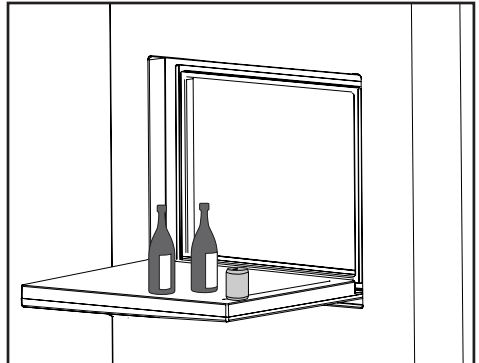
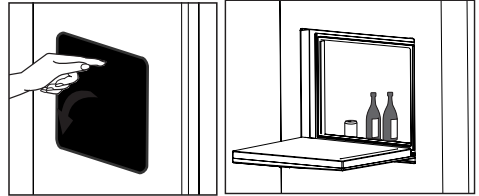
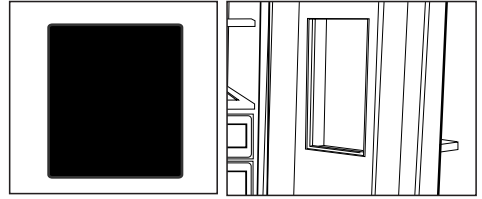
## Minibar

Minibar door provides you extra comfort when using your refrigerator. The door shelf in the refrigerator can be accessed without opening the refrigerator door; thanks to this feature, you can easily pick from the refrigerator the foods and drinks which you frequently consume. Since you do not have to open the refrigerator door frequently, you will have decreased the power consumption of refrigerator. To open the minibar, press by your hand on the minibar and pull back to open.

When the door of minibar is open, you may use the inner face of the door as a table on which you may put your bottles and glasses for a short time as shown in the figure.

**⚠ Caution:** Never do things that may put pressure on the door such as sitting on, climbing up or hanging to the table and do not place heavy objects on it. This may cause damage on the refrigerator or personal injuries.

**⚠ Caution:** Never perform cutting on the Minibar door and be careful that the door is not damaged by pointed objects.



## 6 Cleaning and care

---

- ⚠ Never use gasoline, benzene or similar substances for cleaning purposes.
- ⚠ We recommend that you unplug the appliance before cleaning.
- ❗ Never use any sharp abrasive instrument, soap, household cleaner, detergent and wax polish for cleaning.
- ❗ Use lukewarm water to clean the cabinet of your refrigerator and wipe it dry.
- ❗ Use a damp cloth wrung out in a solution of one teaspoon of bicarbonate of soda to one pint of water to clean the interior and wipe it dry.
- ⚠ Make sure that no water enters the lamp housing and other electrical items.
- ⚠ If your refrigerator is not going to be used for a long period of time, unplug the power cable, remove all food, clean it and leave the door ajar.
- ❗ Check door seals regularly to ensure they are clean and free from food particles.
- ⚠ To remove door racks, remove all the contents and then simply push the door rack upwards from the base.

### Protection of plastic surfaces

- ❗ Do not put the liquid oils or oil-cooked meals in your refrigerator in unsealed containers as they damage the plastic surfaces of your refrigerator. In case of spilling or smearing oil on the plastic surfaces, clean and rinse the relevant part of the surface at once with warm water.

## 7 Recommended solutions for the problems

Please review this list before calling the service. It might save you time and money. This list includes frequent complaints that are not arising from defective workmanship or material usage. Some of the features described here may not exist in your product.

|   |
|---|
| The refrigerator does not operate.  |
| <ul style="list-style-type: none"><li>• Is the refrigerator properly plugged in? Insert the plug to the wall socket.</li><li>• Is the fuse of the socket which your refrigerator is connected to or the main fuse blown out? Check the fuse.</li></ul>  |
| Condensation on the side wall of the fridge compartment (MULTIZONE, COOL CONTROL and FLEXI ZONE).   |
| <ul style="list-style-type: none"><li>• Very cold ambient conditions. Frequent opening and closing of the door. Highly humid ambient conditions. Storage of food containing liquid in open containers. Leaving the door ajar. Switching the thermostat to a colder degree.</li><li>• Decreasing the time the door left open or using it less frequently.</li><li>• Covering the food stored in open containers with a suitable material.</li><li>• Wipe the condensation using a dry cloth and check if it persists.</li></ul>  |
| Compressor is not running   |
| <ul style="list-style-type: none"><li>• Protective thermic of the compressor will blow out during sudden power failures or plug-out plug-ins as the refrigerant pressure in the cooling system of the refrigerator has not been balanced yet. Your refrigerator will start running approximately after 6 minutes. Please call the service if the refrigerator does not startup at the end of this period.</li><li>• The fridge is in defrost cycle. This is normal for a full-automatically defrosting refrigerator. Defrosting cycle occurs periodically.</li><li>• Your refrigerator is not plugged into the socket. Make sure that the plug is properly fit into the socket.</li><li>• Are the temperature adjustments correctly made?</li><li>• Power might be cut off.</li></ul> |
| The fridge is running frequently or for a long time.  |

- Your new product may be wider than the previous one. This is quite normal. Large refrigerators operate for a longer period of time.
- The ambient room temperature may be high. This is quite normal.
- The refrigerator might have been plugged in recently or might have been loaded with food. Cooling down of the refrigerator completely may last for a couple of hours longer.
- Large amounts of hot food might have been put in the refrigerator recently. Hot food causes longer running of the refrigerator until they reach the safe storage temperature.
- Doors might have been opened frequently or left ajar for a long time. The warm air that has entered into the refrigerator causes the refrigerator to run for longer periods. Open the doors less frequently.
- Freezer or fridge compartment door might have been left ajar. Check if the doors are tightly closed.
- The refrigerator is adjusted to a very low temperature. Adjust the refrigerator temperature to a warmer degree and wait until the temperature is achieved.
- Door seal of the fridge or freezer may be soiled, worn out, broken or not properly seated. Clean or replace the seal. Damaged/broken seal causes the refrigerator to run for a longer period of time in order to maintain the current temperature.

Freezer temperature is very low while the fridge temperature is sufficient.

- The freezer temperature is adjusted to a very low temperature. Adjust the freezer temperature to a warmer degree and check.

Fridge temperature is very low while the freezer temperature is sufficient.

- The fridge temperature might have been adjusted to a very low temperature. Adjust the fridge temperature to a warmer degree and check.

Food kept in the fridge compartment drawers are freezing.

- The fridge temperature might have been adjusted to a very low temperature. Adjust the fridge temperature to a warmer degree and check.

Temperature in the fridge or freezer is very high.

- The fridge temperature might have been adjusted to a very high degree. Fridge adjustment has an effect on the temperature of the freezer. Change the temperature of the fridge or freezer until the fridge or freezer temperature reaches to a sufficient level.
- Doors might have been opened frequently or left ajar for a long time; open them less frequently.
- Door might have been left ajar; close the door completely.
- Large amount of hot food might have been put in the refrigerator recently. Wait until the fridge or freezer reaches the desired temperature.
- The refrigerator might have been plugged in recently. Cooling down of the refrigerator completely takes time.

The operation noise increases when the refrigerator is running.

- The operating performance of the refrigerator may change due to the changes in the ambient temperature. It is normal and not a fault.

#### Vibrations or noise.

- The floor is not even or it is weak. The refrigerator rocks when moved slowly. Make sure that the floor is strong enough to carry the refrigerator, and level.
- The noise may be caused by the items put onto the refrigerator. Items on top of the refrigerator should be removed.

#### There are noises coming from the refrigerator like liquid spilling or spraying.

- Liquid and gas flows happen in accordance with the operating principles of your refrigerator. It is normal and not a fault.

#### There is a noise like wind blowing.

- Fans are used in order to cool the refrigerator. It is normal and not a fault.

#### Condensation on the inner walls of refrigerator.

- Hot and humid weather increases icing and condensation. It is normal and not a fault.
- Doors might have been left ajar; make sure that the doors are closed fully.
- Doors might have been opened frequently or left ajar for a long time; open them less frequently.

#### Humidity occurs on the outside of the refrigerator or between the doors.

- There might be humidity in the air; this is quite normal in humid weather. When the humidity is less, condensation will disappear.

#### Bad odor inside the refrigerator.

- Inside of the refrigerator must be cleaned. Clean the inside of the refrigerator with a sponge, lukewarm water or carbonated water.
- Some containers or package materials might cause the smell. Use a different container or different brand packaging material.

#### The door is not closing.

- Food packages may prevent the door's closing. Replace the packages that are obstructing the door.
- The refrigerator is not completely upright on the floor and rocking when slightly moved. Adjust the elevation screws.
- The floor is not level or strong. Make sure that the floor is level and capable to carry the refrigerator.

#### Crispers are stuck.

- The food might be touching the ceiling of the drawer. Rearrange food in the drawer.



Producer: «Arcelik A.S.»

Address: Karaağaç Caddesi No:2-6 Sütlüce, 34445, Turkey

Made in Turkey

Importer in Russia: «BEKO LLC»

Address: 601010, Vladimirskaja oblast, Kirjach region, factory «BEKO»

The manufacture date is included in the serial number of a product specified on rating label, which is located on a product, namely: first two figures of serial number indicate the year of manufacture, and last two – the month. For example, "10-100001-05» indicates that the product was produced in May, 2010.

You can ask for certification number from our Call Center 8-800-200-23-56

## **Пожалуйста, сначала прочтите данное руководство!**

Уважаемый покупатель!

Надеемся, что наше изделие, выпущенное на современных предприятиях, и проверенное с помощью самых тщательных процедур контроля качества, будет надежно служить вам.

Поэтому, прежде чем пользоваться изделием, рекомендуем внимательно и полностью изучить данное руководство и хранить его под рукой для использования в справочных целях в будущем.

### **Данное руководство**

- Поможет вам быстро и безопасно пользоваться изделием.
- Прежде чем устанавливать изделие и пользоваться им, прочтите руководство.
- Соблюдайте инструкции, особенно в отношении техники безопасности.
- Храните руководство в легко доступном месте, так как оно может понадобиться вам в будущем.
- Кроме того, прочитайте другие документы, поставляющиеся в комплекте с изделием.

Просим учесть, что данное руководство по эксплуатации может применяться и для других моделей.

### **Символы и их описания**

В данном руководстве по эксплуатации используются следующие символы:



Важная информация или полезные советы по эксплуатации.



Предупреждение об опасности для жизни и имущества.



Предупреждение об опасном напряжении электросети.

#### **Переработка**



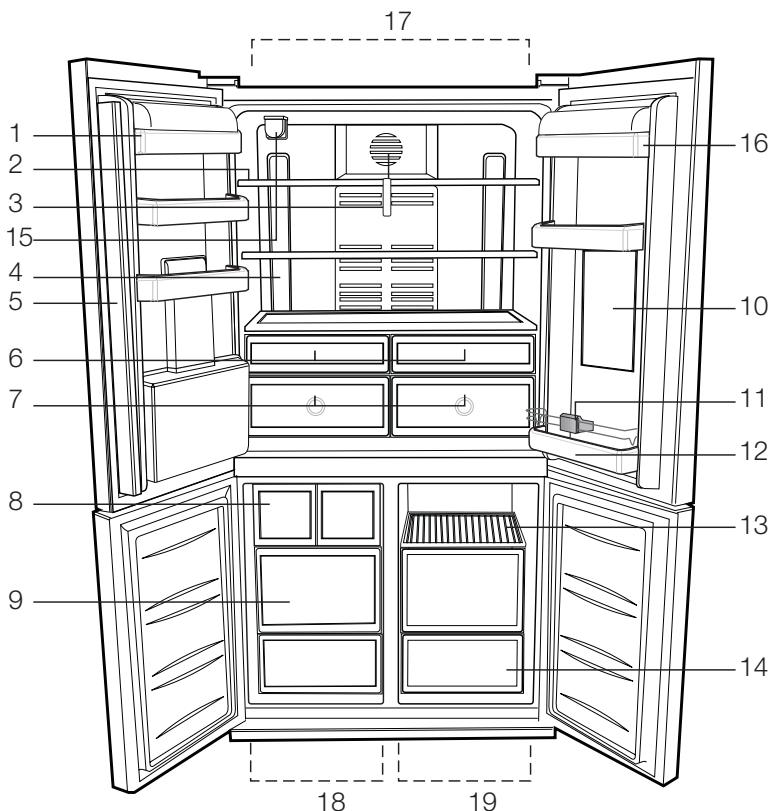
На данное изделие нанесен символ избирательной сортировки для отходов электрического и электронного оборудования (WEEE).

Это значит, что с данным изделием следует обращаться в соответствии с Европейской Директивой 2002/96/ЕС с целью его переработки или разборки для уменьшения отрицательного воздействия на окружающую среду. За дополнительной информацией обратитесь в местные или региональные органы власти.

Электронная техника, не включенная в процесс избирательной сортировки отходов, представляет потенциальную опасность для окружающей среды и здоровья людей из-за наличия в ней опасных веществ.

|   |           |   |           |
|---|-----------|---|-----------|
| <b>1 Холодильник</b>  | <b>3</b>  | <b>5 Пользование<br/>холодильником</b>  | <b>19</b> |
| <b>2 Важные указания по технике<br/>безопасности</b>                  | <b>4</b>  | Панель индикаторов .....  | 19        |
| Использование по назначению .....                                     | 4         | Сигнал открытия дверцы .....  | 22        |
| Для изделий с раздатчиком<br>охлажденной воды: .....                  | 6         | Рекомендации по автоматическому<br>определению времени использования<br>фильтра ..... | 23        |
| Безопасность детей .....  | 6         | Выдвижные полки .....   | 24        |
| Предупреждение органов<br>здоровоохранения .....                      | 6         | Лоток для яиц .....   | 24        |
| Рекомендации по экономии<br>электроэнергии .....                      | 7         | Контейнер для фруктов и овощей .....  | 24        |
| Технические характеристики<br>морозильника .....                      | 7         | Отделение охладителя .....  | 24        |
| Рекомендации по использованию<br>отделения для свежих продуктов ..... | 8         | Съемное среднее отделение .....   | 25        |
| <b>3 Установка</b>  | <b>9</b>  | Отделение для хранения продуктов<br>Flexi Zone .....                                  | 25        |
| Что следует учитывать при<br>транспортировке холодильника .....       | 9         | Синий свет .....  | 25        |
| Перед эксплуатацией холодильника .....                                | 9         | Скользящие полки с задними<br>креплениями .....                                       | 26        |
| Подключение к электросети .....                                       | 9         | Полка для масла и сыра .....  | 26        |
| Утилизация упаковки .....   | 10        | Пользование краном подачи воды .....  | 26        |
| Утилизация старого холодильника .....                                 | 10        | Лоток для разлитых продуктов .....  | 26        |
| Размещение и установка .....  | 10        | Мини-бар .....  | 27        |
| Регулировка положения на полу .....                                   | 10        | <b>6 Чистка и уход</b>  | <b>28</b> |
| Регулировка зазора между верхними<br>дверцами .....                   | 11        | Защита пластмассовых<br>поверхностей .....  | 28        |
| Замена лампочки .....   | 12        | <b>7 Рекомендации<br/>по устранению<br/>неисправностей</b>                            | <b>29</b> |
| Установка водяного фильтра .....                                      | 13        |   |           |
| Подключение водопроводной трубы к<br>холодильнику .....               | 13        |   |           |
| Подсоединение шланга подачи воды к<br>баку .....                      | 14        |   |           |
| Подключение водопроводной трубы к<br>водопроводной линии .....        | 15        |   |           |
| Прежде чем использовать<br>распределитель воды .....                  | 17        |   |           |
| <b>4 Подготовка</b>   | <b>18</b> |   |           |

# 1 Холодильник



- |  |  |
|--|--|
| 1- Полки в дверце холодильного отделения         | 10- Мини-бар                               |
| 2- Стекланные полки холодильного отделения       | 11- Держатель для бутылок                  |
| 3- Крышка рассеивателя                           | 12- Полка для бутылок                      |
| 4- Рассеиватель лампочки освещения               | 13- Полки отделения для хранения продуктов |
| 5- Съёмное среднее отделение                     | 14- Отделения для хранения продуктов       |
| 6- Отделение охладителя                          | 15- Водяной фильтр                         |
| 7- Контейнер для фруктов и овощей                | 16- Полка для масла и сыра                 |
| 8- Icematic (ледогенератор)                      | 17- Холодильное отделение                  |
| 9- Отделения для хранения замороженных продуктов | 18- Морозильное отделение                  |
|  | 19- Отделение Flexi Zone                   |

**!** Цифры, приведенные в данном руководстве по эксплуатации, являются схематическими и могут не полностью соответствовать вашему изделию. Если некоторые компоненты не входят в состав приобретенного вами изделия, они действительны для других моделей.

## 2 Важные указания по технике безопасности

Обязательно ознакомьтесь со следующей информацией. Игнорирование данной информации может привести к причинению травм или повреждению имущества. Кроме того, гарантийные обязательства и обязательства по эксплуатационной надёжности утратят силу.

Срок службы приобретенного вами изделия составляет 10 лет. Это срок, в течение которого предоставляются запасные части, необходимые для нормальной работы изделия.

### Использование по назначению

Это изделие предназначено для использования

- в помещении и на закрытых пространствах, например, в доме;
  - в закрытых рабочих помещениях, например, в магазинах и офисах;
  - в закрытых жилых помещениях, например, в загородных домах, гостиницах, пансионатах.
- Это изделие предназначено для использования только в помещении.

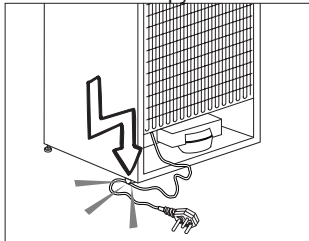
### Общие правила техники безопасности

- В случае необходимости утилизировать или уничтожить изделие для получения необходимой информации рекомендуется обратиться в фирменный сервисный центр, а также в местные органы власти.
- По всем вопросам, касающимся холодильника, обращайтесь в фирменный сервисный центр. Не вмешивайтесь в работу изделия и не разрешайте этого другим без уведомления фирменного сервисного центра.
- Для изделий с морозильным отделением: не ешьте мороженое в рожках и кубики льда сразу после их извлечения из морозильного отделения! (Это может вызвать обморожение полости рта.)

- Для изделий с морозильным отделением: не помещайте напитки в бутылках и банках в морозильное отделение. Они могут лопнуть.
- Не дотрагивайтесь до замороженных продуктов – они могут примерзнуть к рукам.
- Отключайте холодильник от сети перед чисткой или размораживанием.
- Ни в коем случае не используйте для чистки и размораживания холодильника пар или аэрозольные чистящие средства. В этом случае пар может попасть на электрические компоненты, что приведет к короткому замыканию или поражению электрическим током.
- Ни в коем случае не используйте холодильник или его части (например, дверцу) в качестве подставки или опоры.
- Не используйте электрические приборы внутри холодильника.
- Не допускайте повреждения частей, в которых циркулирует хладагент, используя режущие или сверлильные инструменты. Хладагент может вырваться из пробитого испарителя, трубопроводов или покрытий поверхности и вызвать раздражение кожи и поражение глаз.
- Ни в коем случае не закрывайте и не закупоривайте вентиляционные отверстия холодильника.
- Ремонт электрического оборудования должны производить только квалифицированные специалисты. Ремонт, выполненный некомпетентными лицами, может создать опасность для потребителя.
- В случае неполадок во время эксплуатации, а также при проведении техобслуживания или ремонта отключите холодильник, выключив соответствующий предохранитель или вынув шнур питания из розетки.
- Не тяните за сетевой шнур, вынимая вилку из розетки.
- Крепкие спиртные напитки следует хранить в плотно закрытом виде и вертикальном положении.
- Нельзя хранить в холодильнике банки с горючими и взрывоопасными веществами.

- Для ускорения процесса размораживания не используйте механические устройства или другие средства, кроме тех, которые рекомендованы производителем.
- Данный электроприбор не предназначен для использования лицами (включая детей) с ограниченными физическими, сенсорными и интеллектуальными возможностями либо не имеющими опыта и знаний. Они могут пользоваться электроприбором только под наблюдением лица, ответственного за их безопасность, или под его руководством.
- Ни в коем случае нельзя пользоваться неисправным холодильником. При возникновении вопроса обращайтесь к квалифицированному специалисту.
- Электрическая безопасность гарантируется только в том случае, если система заземления в вашем доме соответствует стандартам.
- Воздействие на устройство дождя, снега, солнца или ветра опасно с точки зрения электробезопасности.
- В случае повреждения шнура питания и т.п. обратитесь в фирменный сервисный центр, чтобы не подвергать себя опасности.
- Ни в коем случае нельзя включать холодильник в розетку во время установки. Это может привести к серьезным травмам или смерти.
- Этот холодильник предназначен только для хранения пищевых продуктов. Его нельзя использовать для каких-либо иных целей.
- Табличка с техническими характеристиками находится слева на внутренней стенке холодильника.
- Ни в коем случае нельзя подключать холодильник к электронным системам экономии электроэнергии, поскольку это может привести к его поломке.
- При наличии в холодильнике синей подсветки не смотрите на нее через оптические устройства.
- При отключении от сети электропитания холодильника с ручным управлением подождите не менее 5 минут, прежде чем подключать его снова.
- В случае продажи изделия эту инструкцию по эксплуатации следует передать новому владельцу.

- При транспортировке холодильника избегайте повреждения шнура питания. Изгибание шнура питания может привести к возгоранию. Не ставьте на него тяжелые предметы. При подключении холодильника к сети электропитания не прикасайтесь к вилке влажными руками.



- Ни в коем случае нельзя подключать холодильник к плохо закрепленной стенной розетке сети электропитания.
- Из соображений безопасности не допускайте попадания воды на внешние или внутренние части холодильника.
- Не распыляйте рядом с холодильником воспламеняющиеся газы, такие как газ пропан, ввиду риска пожара или взрыва.
- Не ставьте сосуды с водой на холодильник, поскольку это может привести к поражению электрическим током или пожару.
- Не загружайте холодильник продуктами сверх меры. Если холодильник перегружен, продукты могут выпасть при открытии дверцы и травмировать вас или повредить холодильник. Не кладите предметы на холодильник, поскольку они могут упасть при открытии или закрытии дверцы.
- В холодильнике нельзя хранить вещества, требующие определенных температурных условий, такие как вакцины, термочувствительные медикаменты, материалы для научных исследований и т.п.
- Холодильник следует отключить от электросети, если он не будет использоваться в течение длительного времени. Неисправность шнура питания может привести к возгоранию.
- Необходимо регулярно очищать концы вилки шнура электропитания; несоблюдение этого условия может привести к пожару.

- Необходимо регулярно очищать контакты вилки шнура питания сухой тканью. Несоблюдение этого правила может привести к пожару.
- Холодильник может смещаться, если регулируемые ножки не зафиксированы на полу. Фиксирование регулируемых ножек на полу предотвратит смещение холодильника.
- При перемещении холодильника не держите его за ручку. В противном случае он может поломаться.
- При установке холодильника расстояние между ним и другим холодильником или морозильником должно составлять минимум 8 см. В противном случае боковые прилегающие стенки будут увлажняться.

### **Для изделий с раздатчиком охлажденной воды:**

Давление в водопроводной линии не должно быть ниже 1 бара. Давление в водопроводной линии не должно быть выше 8 бар.

- Используйте только питьевую воду.

### **Безопасность детей**

- Если на дверце есть замок, ключ следует хранить в недоступном для детей месте.
- Следует присматривать за детьми и не разрешать им портить холодильник.

## **Предупреждение органов здравоохранения**

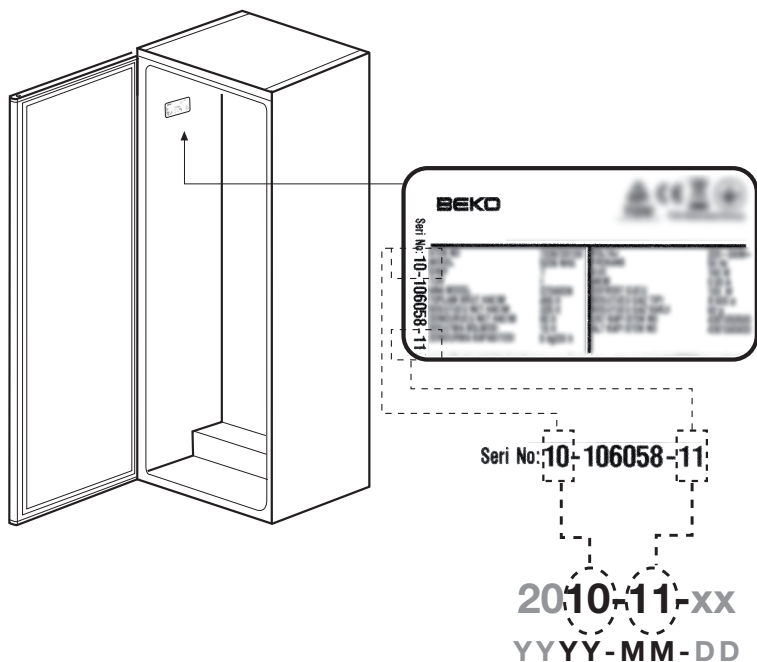
### **Если система охлаждения вашего изделия содержит R600a:**

Этот газ огнеопасен, поэтому будьте осторожны, чтобы не повредить систему охлаждения и трубопроводы при эксплуатации и во время транспортировки. В случае повреждения уберите устройство подальше от потенциальных источников огня, которые могут привести к возгоранию, а также проветривайте помещение, в котором находится устройство.

### **Не обращайте внимания на предупреждение, если система охлаждения вашего изделия содержит R134a.**

Тип газа, используемого изделием, указан на паспортной табличке, расположенной слева на внутренней стенке холодильника.

Не сжигайте изделие в целях утилизации.



## Рекомендации по экономии электроэнергии

- Не оставляйте дверцу холодильника открытой на длительное время.
- Не кладите в холодильник горячие продукты или напитки.
- Не перегружайте холодильник, чтобы не нарушать циркуляцию воздуха.
- Не устанавливайте холодильник в местах, где на него попадают прямые солнечные лучи, или поблизости от источников тепла, таких как плита, посудомоечная машина или радиатор отопления.
- Следите за тем, чтобы контейнеры с продуктами были закрыты.
- Для изделий с морозильным отделением: в морозильное отделение холодильника можно заложить максимальное количество продуктов, если достать из него полку или ящик. Указанное в технических характеристиках энергопотребление холодильника определено при условии, что полка или ящик морозильного отделения извлечены, и в него загружено максимально возможное количество продуктов. Полку и ящик можно использовать для замораживания продуктов в соответствии с их формой и размером.
- Таяние замороженных продуктов в холодильном отделении обеспечит экономию электроэнергии и сохранение качества продуктов.

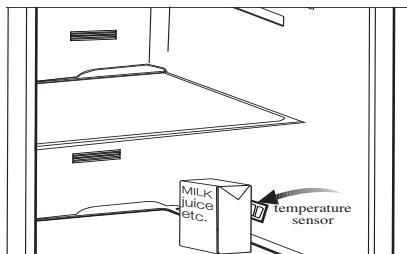
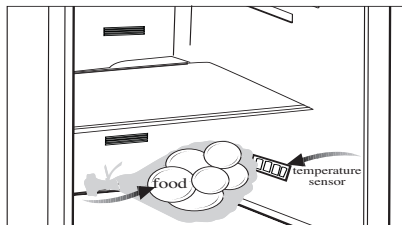
## Технические характеристики морозильника

|                                    |    |
|------------------------------------|----|
| Класс энергетической эффективности | A+ |
| Класс защиты                       | 1  |



## Рекомендации по использованию отделения для свежих продуктов \*необязательный

- Не допускайте какого-либо контакта продуктов с температурным датчиком в отделении для свежих продуктов. Для поддержания идеальной температуры хранения в отделении для свежих продуктов датчик не должен закрываться хранящимися там продуктами.
- Не помещайте в холодильник горячие продукты.



## 3 Установка

- ❗** Помните, что производитель не несет ответственности в случае несоблюдения указаний, приведенных в настоящем руководстве.

### Что следует учитывать при транспортировке холодильника

1. Из холодильника следует вынуть все продукты и промыть его перед любой транспортировкой.
2. Перед упаковкой все полки, оборудование, контейнеры для фруктов и овощей и т.п. в холодильнике должны быть хорошо закреплены от тряски при помощи клейкой ленты.
3. Упаковывая холодильник с помощью плотных лент и прочных веревок, следует придерживаться правил транспортировки, напечатанных на упаковке.

**❗ Помните!**

Вторичное использование материалов очень важно для сохранения природы и наших национальных богатств.

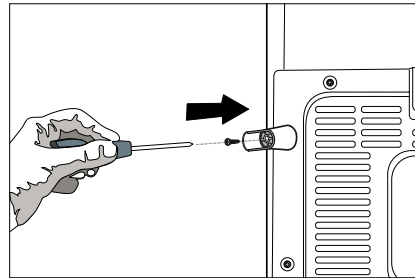
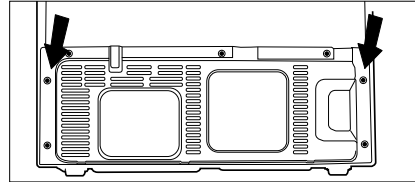
Если вы хотите отправить на переработку материалы упаковки, более подробную информацию можно получить в экологических учреждениях или в органах местной власти.

### Перед эксплуатацией холодильника

Перед началом эксплуатации изделия проверьте следующее:

1. Сухо ли внутри холодильника, и может ли воздух свободно циркулировать позади него?
2. Вставьте 2 пластиковых клина на задней вентиляционной крышке, как показано на следующем рисунке. Для этого отвинтите имеющиеся винты и воспользуйтесь винтами из упаковки с клиньями.

Пластиковые клинья обеспечат необходимое расстояние между холодильником и стеной для надлежащей циркуляции воздуха.



3. Выполните чистку холодильника в соответствии с рекомендациями, приведенными в разделе «Обслуживание и чистка».
4. Включите холодильник в сеть. При открытии дверцы загорается лампочка внутреннего освещения.
5. При запуске компрессора будет слышен шум. Жидкость и газы, находящиеся внутри герметичной системы охлаждения, также могут создавать шум, независимо от того, работает компрессор или нет, что является вполне нормальным явлением.
6. Передние кромки холодильника могут казаться теплыми. Это нормально. Эти области должны нагреваться, чтобы избежать конденсации.

### Подключение к электросети

Подсоедините морозильную камеру к правильно установленной заземленной розетке, защищенной предохранителем с соответствующим номиналом.

Важно!

- ⚠ Подключение следует выполнять в соответствии с действующими в стране правилами.
- ⚠ Вилка сетевого шнура должна быть легко доступна после установки.
- ⚠ Напряжение и допустимые параметры предохранителей указаны в разделе «Технические характеристики».
- ⚠ Напряжение в сети должно соответствовать указанному напряжению.
- ⚠ Запрещается использовать при установке удлинители и многоконтактные штепсельные вилки.
- ⚠ Поврежденный шнур питания должен быть заменен квалифицированным электриком.
- ⚠ Запрещается пользоваться изделием до его ремонта. Имеется опасность поражения электрическим током.

## Утилизация упаковки

- ⚠ Упаковочные материалы могут быть опасны для детей. Храните упаковочный материал в недоступном для детей месте или утилизируйте его, рассортировав в соответствии с правилами утилизации отходов. Не утилизируйте их вместе с обычными бытовыми отходами.

Упаковочные материалы холодильника изготовлены из материалов, подлежащих вторичной переработке.

## Утилизация старого холодильника

Утилизация старого изделия должна выполняться экологически безопасным способом.

- ⚠ Чтобы узнать, как утилизировать изделие, вы можете обратиться к авторизованному дилеру или в пункт сбора отходов по месту жительства.
- ⚠ Прежде чем утилизировать холодильник, отрежьте шнур питания и, в случае наличия замков на дверце, выведите их из строя, чтобы предотвратить создание опасных ситуаций для детей.

## Размещение и установка

⚠ Внимание! Не включайте холодильник в розетку во время его установки. В противном случае, существует опасность получения серьезных травм или смертельного случая.

⚠ Если дверь помещения, в котором будет установлен холодильник, недостаточно широка, обратитесь в авторизованный сервисный центр за помощью в снятии дверец холодильника и пронести в дверь холодильник боком.

1. Устанавливайте холодильник в месте, удобном для его использования.  
2. Холодильник должен находиться в месте, удаленном от источника тепла, мест повышенной влажности, защищенном от прямых солнечных лучей.

3. Для более эффективной работы необходимо обеспечить хорошую вентиляцию вокруг холодильника. Если холодильник устанавливается в нише стены, минимальное расстояние до потолка должно составлять не менее 5 см и 5 см до стены.

Если пол имеет ковровое покрытие, следует поднять холодильник на 2,5 см над уровнем пола.

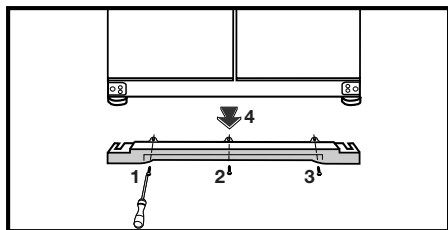
4. Холодильник должен стоять на ровной поверхности для того, чтоб не возникла тряска.

5. Температура помещения, в котором находится холодильник, не должна быть меньше 10°C.

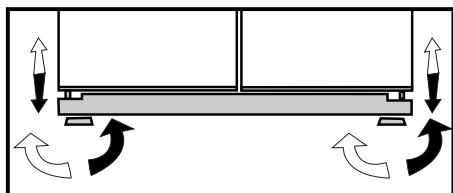
## Регулировка положения на полу

⚠ Если холодильник расположен неустойчиво:

⚠ Отсоедините его от электросети. В течение регулировки положения на полу холодильник должен быть отсоединен от электросети. Имеется опасность поражения электрическим током.

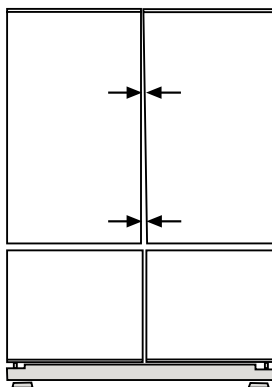


1- Отвинтите винты, которые держат вентиляционную крышку, как показано на рисунке. Вы можете отрегулировать устойчивое положение холодильника вращением передних ножек, как показано на рисунке. Угол холодильника, под которым находится ножка, будет опускаться, если поворачивать ее в направлении черной стрелки, или подниматься, если поворачивать ее в противоположном направлении. Если слегка приподнять холодильник, это облегчит процесс.



2. После того, как процесс балансировки завершен, установите вентиляционную крышку на место и закрепите ее винтами.

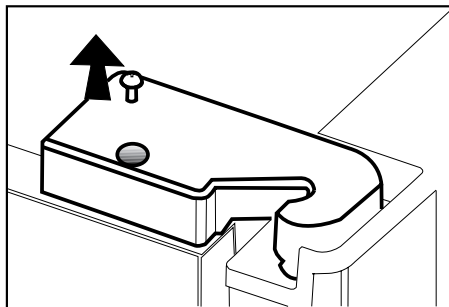
3. Отвинтите винты, которые держат нижнюю вентиляционную крышку, используя для этого отвертку Philips.



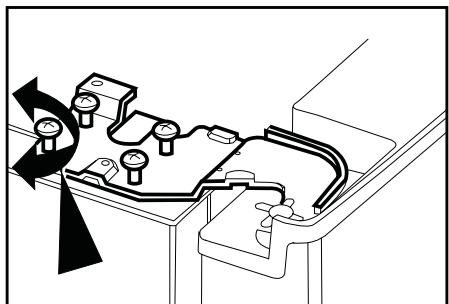
## Регулировка зазора между верхними дверцами

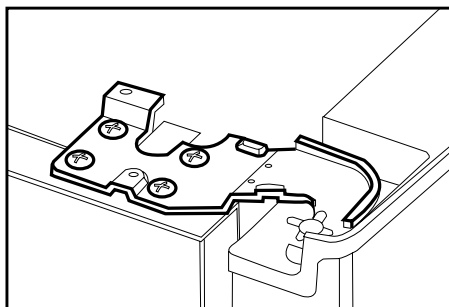
❗ Вы можете отрегулировать зазор между дверцами холодильной камеры, как указано на рисунке.

Во время регулировки дверей по высоте двери холодильника должны быть пустыми.

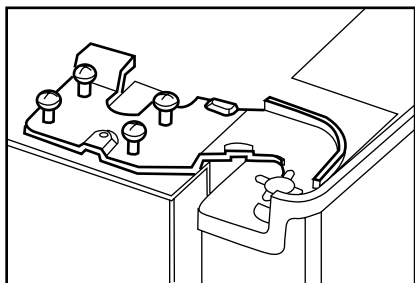


❗ Используя отвертку, выньте винт из крышки верхней петли той двери, которую нужно отрегулировать.

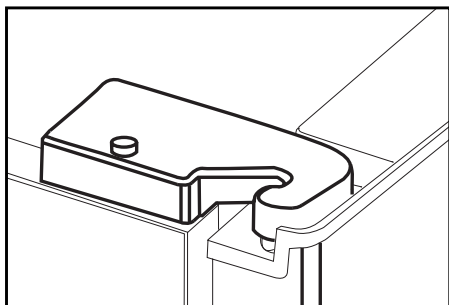




**i** Отрегулируйте дверь по своему усмотрению, немного ослабляя винты.



**i** Зафиксируйте отрегулированную дверь, затянув винты, не изменяя положения двери.



**i** Установите на место крышку петли и зафиксируйте винтом.

## Замена лампочки

Для замены лампочки освещения холодильника обратитесь в авторизованный сервисный центр.

## Установка водяного фильтра

(в некоторых моделях)

Для подачи воды к холодильнику можно подсоединить два разных источника воды: линию подачи холодной воды и воду из бака.

### Требования по установке

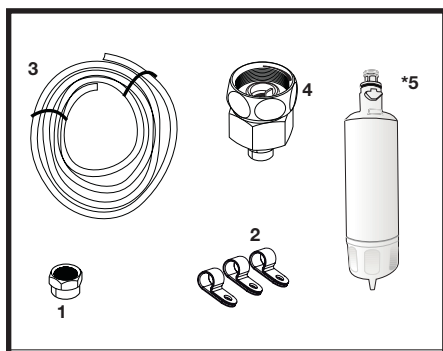
Во втором случае следует использовать насос.

Проверьте, входят ли указанные ниже запчасти в комплект поставки холодильника.

1. Гайка для подключения водопроводной трубы к задней стороне прибора. (Если она не подходит, обратитесь в ближайшую авторизованную сервисную службу.)
2. 2 скобы водосточной трубы (если они требуются для крепления водосточной трубы).

Примечание. В случае использования воды из бака эти запчасти не требуются, поэтому могут не входить в комплект поставки.

3. 5-метровая водопроводная труба (диаметром 1/2 дюйма).
4. Клапан в водопроводной линии с сетчатым фильтром (переходная втулка).
5. Водяной фильтр или фильтр, присоединяемый снаружи, следует прикрепить к скобе внутри холодильной камеры.



Сначала определите место крепления внешнего фильтра. (Относится к фильтру, используемому вне холодильника.) Затем измерьте расстояние между фильтром и холодильником и необходимую длину шланга от фильтра до отверстия подачи воды.

Водяной фильтр должен находиться в вертикальном положении, как показано на рисунке. Крайне важно правильно прикрепить фильтр к отверстиям подачи и слива воды.

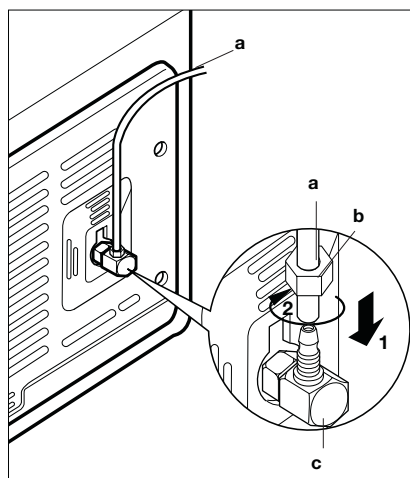
Установив фильтр, не используйте первые 3-4 стакана воды.

## Подключение водопроводной трубы к холодильнику.

1. После установки гайки на водопроводную трубу вставьте трубу во впускной клапан холодильника, сильно нажав его вниз.
2. Закрепите гайку, как показано на рисунке, надавив рукой на впускной клапан холодильника.

(a – водопроводная труба, b – гайка, c – клапан)

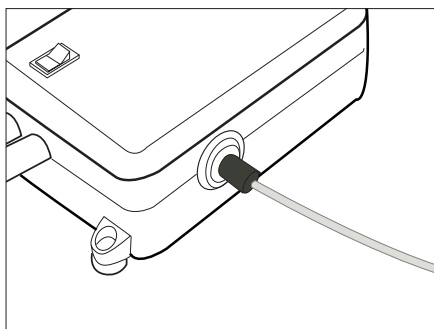
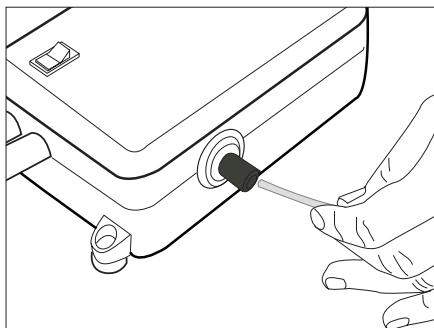
**ⓘ** Примечание 1. Чтобы узел был водонепроницаемым, не нужно закручивать гайку каким-либо инструментом. В случае утечки закрутите гайку гаечным ключом или плоскогубцами.



## Подсоединение шланга подачи воды к баку (в некоторых моделях)

Для подачи в холодильник воды из бака необходим насос. Выполните изложенные ниже инструкции после подсоединения одного конца водопроводной трубы, выходящей из насоса, к холодильнику, как описано на предыдущей странице.

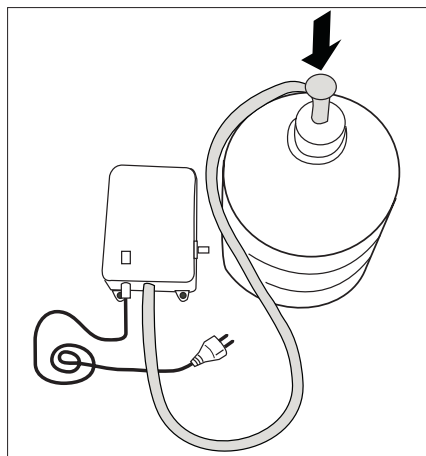
1. Завершите соединение, вставив другой конец водопроводной трубы в соответствующее входное отверстие насоса, как показано на рисунке.



2. Вставьте и закрепите шланг насоса в бак, как показано на рисунке.
3. По завершении монтажа подсоедините насос к сети питания и включите его.

Эффективная работа насоса начнется через 2-3 минуты после его включения.

- i** Выполняя подключение воды, обращайтесь к руководству пользователя насоса.
- i** В случае использования бака нет необходимости в работе водяного фильтра.
- i** В случае использования бака необходим насос.



## Подключение водопроводной трубы к водопроводной линии (в некоторых моделях)

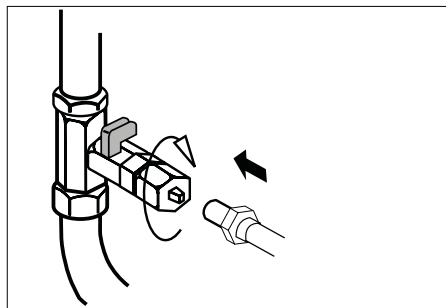
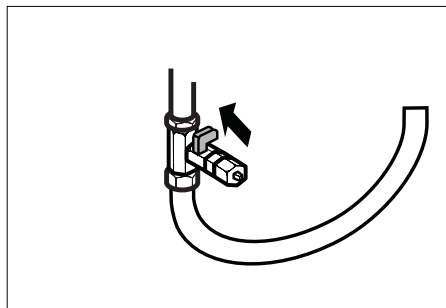
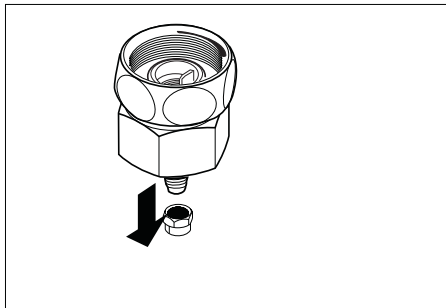
Подсоединение холодильника к линии подачи холодной воды в вашем доме осуществляется через стандартный патрубок с клапаном 1/2". Если такой клапан отсутствует или вы не уверены в своих действиях, обратитесь к квалифицированному водопроводчику.

1. Отсоедините гайку от переходной втулки. (Рис. А)
2. Установите переходную втулку в патрубок с клапаном 1/2", как показано на рисунке. (Рис. В)
3. После надевания гайки на водопроводную трубу установите ее на переходную втулку и вставьте втулку, как показано на рисунке. (Рис. С)
4. Закрутите гайку вручную. В случае утечки закрутите гайку гаечным ключом или плоскогубцами.

**⚠ Внимание!** С помощью скоб закрепите водопроводную трубу в соответствующих местах для того, чтобы избежать повреждений, смещения или случайного отсоединения.

**⚠ Внимание!** После поворота водяного клапана проверьте, чтобы в обеих точках соединения водяной трубы не было утечки. При наличии утечки немедленно отключите клапан и снова затяните все соединения, воспользовавшись гаечным ключом или плоскогубцами.

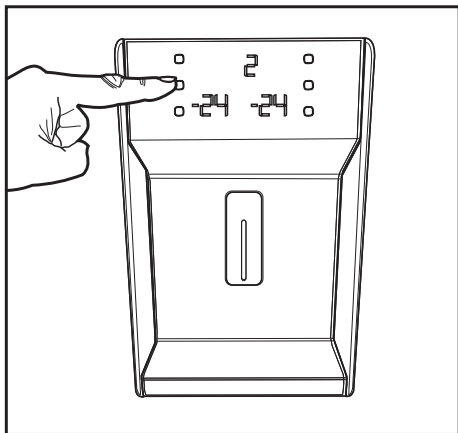
**⚠ Внимание!** Убедитесь в наличии стандартного патрубка с клапаном 1/2" в линии подачи холодной воды и в том, что он полностью отключен.



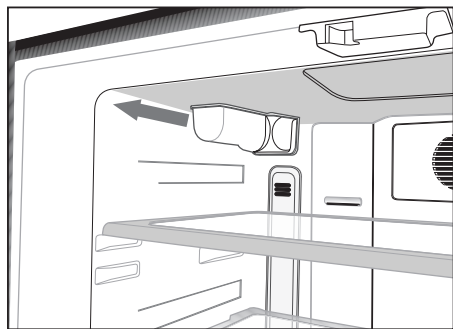


Для установки водяного фильтра соблюдайте приведенные ниже инструкции и следуйте приведенным рисункам.

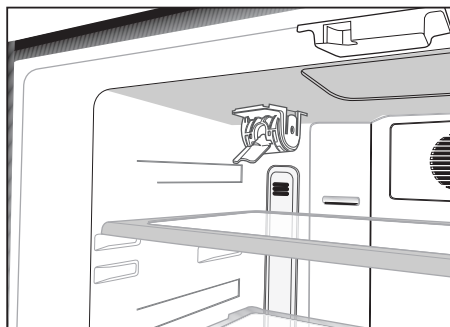
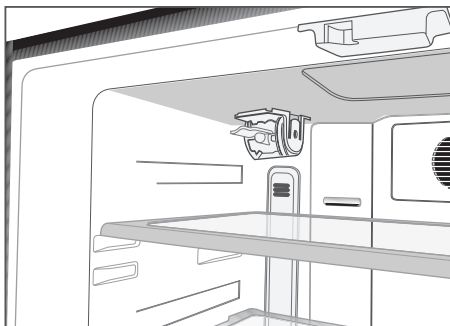
1. Нажмите кнопку остановки образования льда на дисплее.



2. Снимите крышку воздушного фильтра в холодильном отделении, потянув ее на себя.



3. Снимите крышку обводной линии водяного фильтра, вращая ее вниз.



**⚠ Внимание!** Перед снятием крышки убедитесь в отключении режима образования льда.

Примечание. Падение нескольких капель воды после снятия крышки является нормальным явлением.

4. Снимите крышку на водяном фильтре, чтобы установить ее, как показано на рисунке, и поверните вверх для фиксации.
5. Снова нажмите на кнопку остановки образования льда на дисплее для выхода из данного режима.

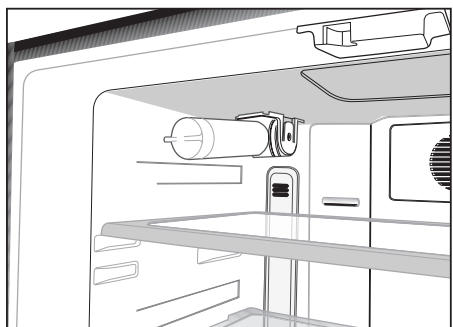
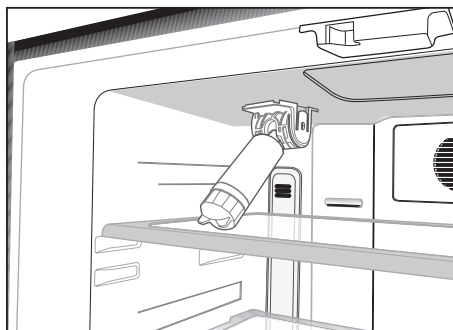
Водяной фильтр требуется менять каждые шесть месяцев.

Для настройки автоматического определения времени смены фильтра и получения соответствующего предупреждения см. раздел «Автоматическое определение времени использования фильтра».

Если водяной фильтр подлежит замене или больше не используется, его следует снять, как показано на рисунке, и прикрепить крышку обводной линии. Перед снятием крышки убедитесь в отключении режима образования льда.

**⚠ Внимание!** Водяной фильтр предназначен для удаления из воды инородных частиц. Он не очищает воду от микроорганизмов.

**⚠ Внимание!** При замене водяного фильтра или установке крышки обводной линии всегда необходимо нажать на кнопку «Ice Off».



## Прежде чем использовать распределитель воды

**ⓘ** Давление в водопроводной линии не должно быть ниже 1 бара.

**ⓘ** Давление в водопроводной линии не должно быть выше 8 бар.

**ⓘ** Если давление воды в магистральной линии упало ниже 1 бара, и в случае подачи воды из бака необходимо использовать насосы.

**ⓘ** Водяная система холодильника должна быть подключена к линии холодной воды. Ее нельзя подключать к линии горячей воды.

**ⓘ** При первоначальном включении холодильника воду получить нельзя. Это вызвано наличием воздуха в системе. Для выпуска воздуха из системы нажимайте на защелку распределителя с интервалом 1 минуту до тех пор, пока из него не покажется вода. В начале поток воды может быть неравномерным. Он нормализуется после выпуска воздуха из системы.

**ⓘ** При первоначальном включении холодильника до получения холодной воды должно пройти ориентировочно 12 часов.

**ⓘ** Для бесперебойной работы распределителя льда/воды давление в водопроводной линии должно быть в пределах 1-8 бар. Для этого проверьте, можно ли наполнить стакан воды (100 куб. см) за 10 секунд.

**ⓘ** Первые 10 стаканов воды потреблять нельзя.

**ⓘ** Около 30 первых кубиков льда, полученных из распределителя, использовать нельзя.

**ⓘ** Если бак не используется, применяйте водяной фильтр.

## 4 Подготовка

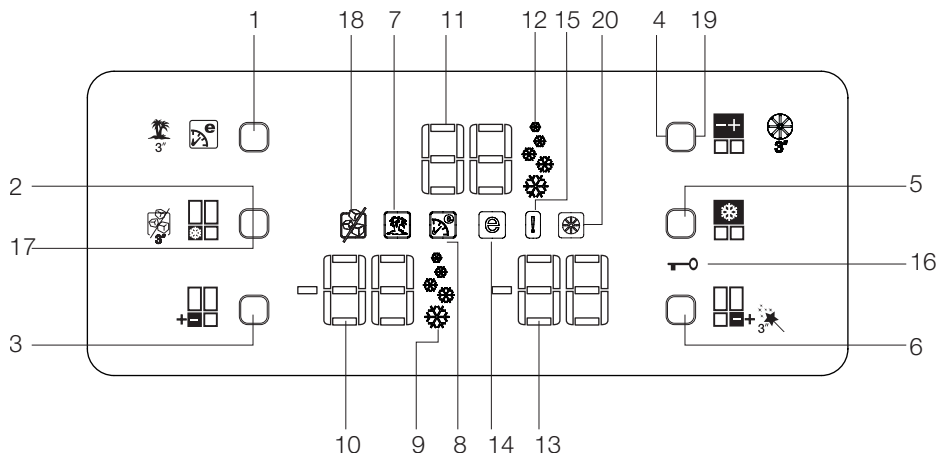
---

- i** Ваш холодильник следует установить, по крайней мере, в 30 см от источников тепла, таких как газовые конфорки, плиты, батареи центрального отопления и печи, и, по крайней мере, в 5 см от электрических плит, в месте, куда не попадает прямой солнечный свет.
- i** Температура воздуха в помещении, где устанавливается холодильник, должна быть не менее 10°C. Использовать холодильник при более низкой температуре не рекомендуется в связи с его низкой эффективностью в таких условиях.
- i** Содержите внутреннее пространство холодильника в чистоте.
- i** Если два холодильника устанавливаются рядом, то между ними должно быть расстояние не менее 2 см.
- i** При первом включении холодильника просим соблюдать следующие инструкции во время первых шести часов работы.
  - Не открывайте часто дверцу.
  - Холодильник должен быть пустым, без продуктов внутри.
  - Не отключайте холодильник от сети. Если произошло отключение электроэнергии не по вашей вине, см. указания в разделе «Рекомендации по устранению неполадок».
- i** Оригинальную упаковку и пленку следует сохранить для последующей транспортировки или перевозки изделия.

## 5 Пользование холодильником

### Панель индикаторов

Сенсорная панель индикаторов позволяет регулировать температуру, не открывая дверцы холодильника. Для этого нажимайте соответствующие кнопки.



- |  |   |
|--|---|
| 1. Кнопка «Eco Extra»/временного отключения            | 11. Индикатор температуры холодильного отделения      |
| 2. Кнопка быстрой заморозки                            | 12. Индикатор режима быстрого охлаждения              |
| 3. Кнопка настройки температуры морозильного отделения | 13. Индикатор температуры отделения Flexi Zone        |
| 4. Кнопка настройки температуры холодильного отделения | 14. Индикатор экономичного режима                     |
| 5. Кнопка быстрого охлаждения                          | 15. Индикатор неисправного состояния                  |
| 6. Кнопка регулировки температуры отделения Flexi Zone | 16. Индикатор блокировки клавиш                       |
| 7. Индикатор режима временного отключения              | 17. Кнопка остановки образования льда                 |
| 8. Индикатор режима Eco Extra                          | 18. Индикатор режима отключения льда                  |
| 9. Индикатор режима быстрой заморозки                  | 19. Кнопка отключения предупреждения о замене фильтра |
| 10. Индикатор температуры морозильного отделения       | 20. Индикатор предупреждения о замене фильтра         |

**ⓘ** Цифры, приведенные в данном руководстве по эксплуатации, являются схематическими и могут не полностью соответствовать вашему изделию. Если некоторые компоненты не входят в состав приобретенного вами изделия, они действительны для других моделей.

### **1. Кнопка «Eco Extra»/временного отключения**

После короткого нажатия этой кнопки включается режим Eco Extra. После нажатия и удерживания кнопки в течение 3 секунд включается режим временного отключения. Чтобы отключить выбранный режим, еще раз нажмите на кнопку.

### **2. Кнопка быстрой заморозки**

После короткого нажатия этой кнопки включается режим быстрой заморозки. Чтобы отключить выбранный режим, еще раз нажмите на кнопку.

### **3. Кнопка настройки температуры морозильного отделения**

Нажимайте эту кнопку, чтобы установить в морозильной камере температуру -18, -20, -22, -24, -18... соответственно. Нажимайте эту кнопку, чтобы установить нужную температуру морозильной камеры.

### **4. Кнопка настройки температуры холодильного отделения**

Нажимайте эту кнопку, чтобы установить в холодильной камере температуру 8, 6, 4, 2, 8... соответственно. Нажимайте эту кнопку, чтобы установить нужную температуру холодильной камеры.

### **5. Кнопка быстрого охлаждения**

После короткого нажатия этой кнопки включается режим быстрого охлаждения. Чтобы отключить выбранный режим, еще раз нажмите на кнопку.

### **6. Кнопка регулировки температуры отделения Flexi Zone**

Вы можете установить в отделении Flexi Zone режим морозильника или холодильника. Для этого нажмите и удерживайте указанную кнопку в течение 3 секунд. Заводская настройка данного отделения – морозильник.

Если в отделении Flexi Zone установлен режим морозильника, при каждом нажатии кнопки температура будет изменяться в такой последовательности: -18, -20, -22, -24, -18... соответственно. Если в отделении Flexi Zone установлен режим холодильника, при каждом нажатии кнопки температура будет изменяться в такой последовательности: 10, 8, 6, 4, 2, 0, -6... соответственно.

### **7. Индикатор режима временного отключения**

Показывает, что включен режим временного отключения. В таком случае на индикаторе холодильной камеры появляется символ «- -» и охлаждение в ней не производится. В других отделениях охлаждение происходит в соответствии с установленной температурой.

Чтобы отключить выбранный режим, еще раз нажмите соответствующую кнопку.

### **8. Индикатор режима Eco Extra**

Показывает, что включен режим Eco Extra. В таком случае холодильник автоматически определит минимальные периоды использования, в течение которых охлаждение будет происходить в энергосберегающем режиме. Все это время индикатор экономичного режима будет включен.

Чтобы отключить выбранный режим, еще раз нажмите соответствующую кнопку.

### **9. Индикатор режима быстрой заморозки**

Показывает, что включена функция быстрого замораживания. Пользуйтесь этим режимом, если помещаете в морозильную камеру свежие продукты, или если вам нужен лед. В этом случае холодильник будет работать определенный период времени.

Чтобы отключить выбранный режим, еще раз нажмите соответствующую кнопку.

### **10. Индикатор температуры морозильного отделения**

Указывает температуру, установленную для морозильного отделения.

### **11. Индикатор температуры холодильного отделения**

Указывает температуру, установленную для холодильного отделения.

### **12. Индикатор режима быстрого охлаждения**

Показывает, что включен режим быстрого охлаждения. Пользуйтесь этим режимом, если помещаете в холодильную камеру свежие продукты, или если необходимо быстро охладить продукты. В этом случае холодильник будет работать без остановки в течение 2 часов.

Чтобы отключить выбранный режим, еще раз нажмите соответствующую кнопку.

### **13. Индикатор температуры отделения Flexi Zone**

Указывает температуру, установленную для отделения Flexi Zone.

### **14. Индикатор экономичного режима**

Показывает, что холодильник работает в энергосберегающем режиме. Температура морозильной камеры

Индикатор будет включен, если установлена температура -18 или в режиме Eco Extra происходит энергосберегающее охлаждение.

### **15. Индикатор неисправного состояния**

Этот индикатор включается при сбое в работе холодильника или поломке сенсора. В этом случае на индикаторе температуры морозильной камеры появится символ «E», а на индикаторе холодильной камеры – числа «1,2,3...». Они сообщают об определенной ошибке персоналу сервисной службы.

### **16. Индикатор блокировки клавиш**

С помощью этого режима можно предотвратить изменение температурных настроек холодильника. Для его включения одновременно нажмите кнопки быстрого охлаждения и регулировки температуры отделения Flexi Zone и удерживайте их в течение 3 секунд.

Чтобы отключить выбранный режим, еще раз нажмите соответствующие кнопки.

### **17. Кнопка остановки образования льда**

Чтобы остановить образование льда, нажмите и удерживайте кнопку остановки образования льда в течение 3 секунд. При этом в отсек для льда не будет поступать вода. Однако в нем может остаться лед, который можно извлечь. Чтобы возобновить образование льда, нажмите и удерживайте кнопку остановки образования льда в течение 3 секунд.

## **18. Индикатор остановки образования льда**

Воспользуйтесь этой функцией, если не нуждаетесь в образовании льда. Для ее активирования нажмите и удерживайте кнопку прекращения образования льда в течение 3 секунд.

## **19. Кнопка отключения предупреждения о замене фильтра**

Фильтр холодильника следует заменять каждые 6 месяцев. Холодильник определяет это время автоматически, и по истечении времени использования фильтра загорается индикатор предупреждения о замене фильтра. Нажмите и удерживайте кнопку отключения предупреждения о замене фильтра в течение 3 секунд, чтобы холодильник автоматически определил новое время использования фильтра после его замены.

## **20. Индикатор отключения предупреждения о замене фильтра**

По истечении времени использования фильтра загорается индикатор предупреждения о замене фильтра.

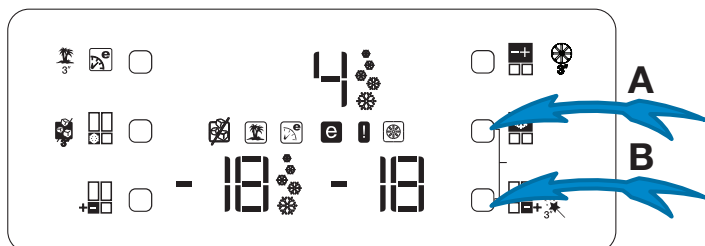
## **Сигнал открытия дверцы**

Если дверца холодильной камеры или отделения Flexi Zone остается открытой в течение, как минимум, 1 минуты, прозвучит сигнал открытия дверцы. Нажмите любую кнопку на панели индикаторов или закройте дверцу – сигнал прекратится.

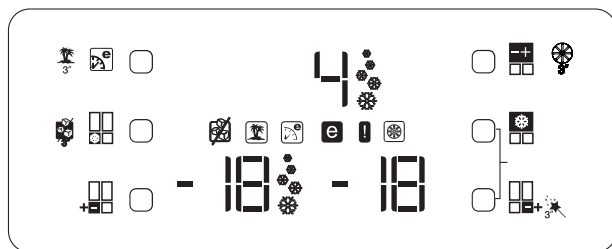
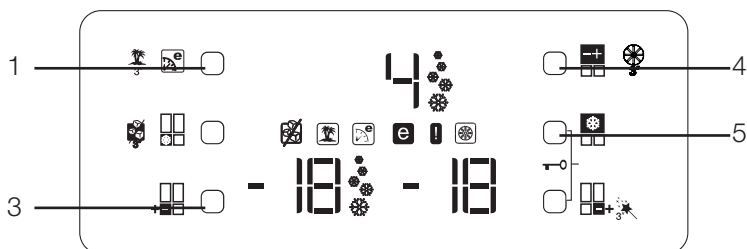
## Рекомендации по автоматическому определению времени использования фильтра

(для изделий, подсоединенных к водопроводной линии и оснащенных фильтром)

1- Подсоединив холодильник к электросети, одновременно нажмите кнопки А и В для включения блокировки клавиш.



2- Затем нажмите кнопки Eco-Extra (1), настройки температуры холодильного отделения (4), быстрого охлаждения (5) и настройки температуры морозильного отделения (3) соответственно.



Если нажать кнопки в правильной последовательности, символ блокировки кнопок погаснет, индикатор предупреждения о замене фильтра включится и вскоре будет активирован зуммер. После замены фильтра нажмите кнопку отключения предупреждения о замене фильтра (номер 19 в описании дисплея) для автоматического определения времени использования фильтра.

### ПРИМЕЧАНИЕ.

1. Если время использования фильтра определяется автоматически, индикатор предупреждения о замене фильтра загорится постоянным светом через несколько секунд после подключения изделия к сети питания.
2. Автоматическое определение времени использования фильтра не является заводской настройкой. В изделиях с фильтром его нужно активировать.
3. Чтобы отключить автоматическое определение времени использования фильтра, повторите все вышеуказанные действия.



## Лоток для яиц

Вы можете установить держатель для яиц на полочку двери или обычную полку, как вам удобнее.

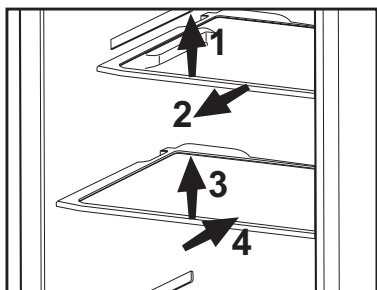
Никогда не помещайте держатель для яиц в камеру морозильника.

## Выдвижные полки

Чтобы выдвинуть выдвижную полку, слегка приподнимите ее спереди, после чего ее можно сдвинуть назад и вперед. Полку можно выдвинуть вперед до упора, чтобы достать продукты в конце полки. Чтобы вынуть полку, сдвиньте ее до второго упора, слегка приподнимите и потяните на себя.

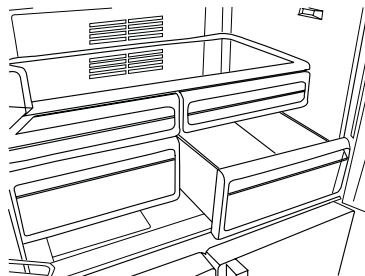
Крепко придерживайте полку снизу, чтобы она не перевернулась. Полки холодильного отделения устанавливаются на направляющие, расположенные на боковых стенках, и их можно переставлять выше или ниже.

Чтобы установить полку на место, сдвиньте ее назад до конца.



## Контейнер для фруктов и овощей

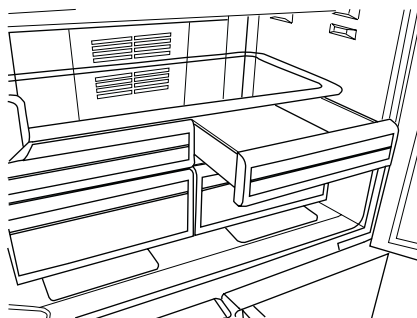
Контейнер для фруктов и овощей предназначен специально для их сохранения в свежем виде, чтобы они не теряли влагу. Для этого вокруг контейнера циркулирует холодный воздух. Перед тем как вынуть контейнер для фруктов и овощей, выньте совмещенные с ним дверные полки, как показано на рисунке.



## Отделение охладителя

Отделение охладителя подготавливает продукты к заморозке. Кроме того, эти отделения можно использовать для хранения продуктов при температуре, на несколько градусов ниже температуры холодильной камеры.

Вы можете освободить место внутри холодильника, вынув любой из охладителей. Для этого потяните лоток на себя, пока он не упрется в ограничитель. Затем приподнимите лоток приблизительно на 1 см и снова потяните на себя.



## Съемное среднее отделение

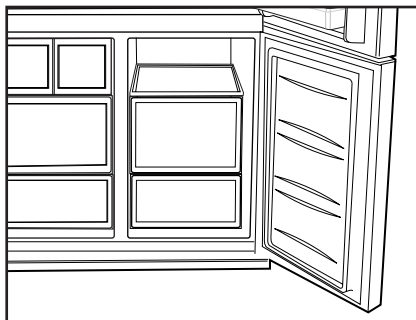
Съемное среднее отделение предназначено для предотвращения просачивания холодного воздуха изнутри холодильника наружу.

1- Когда дверцы холодильной камеры закрыты, прокладки плотно прилегают к поверхности съемного среднего отделения.

2- Еще одно предназначение съемного среднего отделения – увеличение полезного объема холодильной камеры. Стандартные средние отделения занимают неиспользуемое пространство холодильника.

3- Съемное среднее отделение закрыто, когда закрыта левая дверца холодильной камеры.

4- Съемное отделение нельзя открывать вручную, поскольку при закрытых дверцах оно двигается под управлением пластмассовой детали корпуса.



**i** Переключение между режимами холодильного и морозильного отделений позволяет охлаждающий элемент, находящийся в закрытом отделении (отделение компрессора) за холодильником. Когда этот элемент работает, из холодильника доносится шум, похожий на тиканье механических часов. Это вполне нормально и не является причиной неисправности.

## Отделение для хранения продуктов Flexi Zone

Отделение для хранения продуктов Flexi Zone вашего холодильника можно использовать в любом нужном режиме, установив температуру холодильной (2/4/6/8 °C) или морозильной (-18/-20/-22/-24) камер. С помощью кнопки регулировки температуры отделения Flexi Zone можно устанавливать в отделении нужную температуру. Температуру отделения Flexi Zone можно установить на значения от 0 до 10 градусов в дополнение к температуре холодильной камеры и -6 градусов в дополнение к температуре морозильной камеры. При значении 0 дольше хранятся деликатесы, а при -6 можно в течение двух недель хранить мясные продукты в легком для нарезания состоянии.

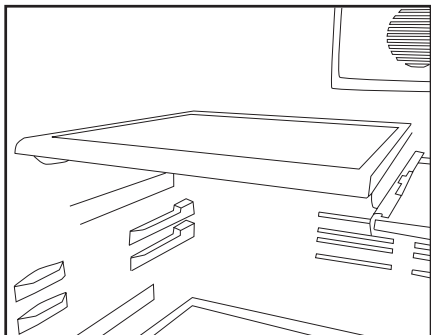
## Синий свет

В продуктах, хранящихся в контейнерах для фруктов и овощей с синей подсветкой, продолжается процесс фотосинтеза, благодаря длине волн синего света и, таким образом, они сохраняют свою свежесть, а содержание витаминов в них увеличивается.



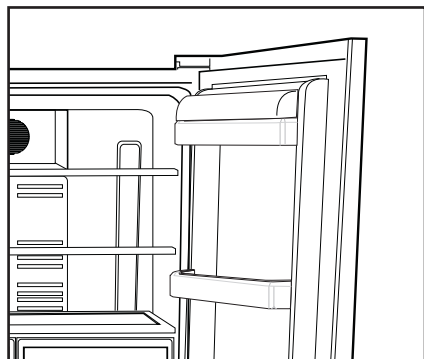
## Скользящие полки с задними креплениями

Скользящие полки с задними креплениями легко передвигаются вперед и назад. Их высоту можно регулировать, устанавливая полки ниже или выше. Чтобы достать полку, слегка приподнимите ее и потяните на себя.



## Полка для масла и сыра

На этой полке с крышкой можно хранить масло, сыр и маргарин.

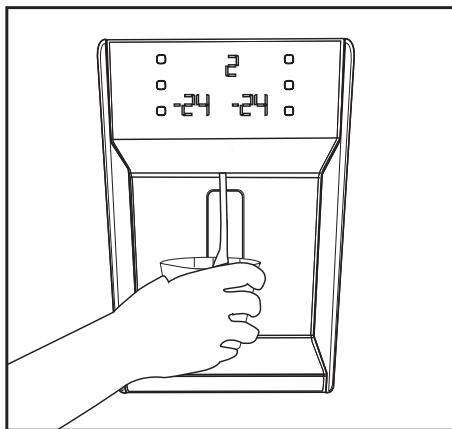


## Пользование краном подачи воды

### Предостережения

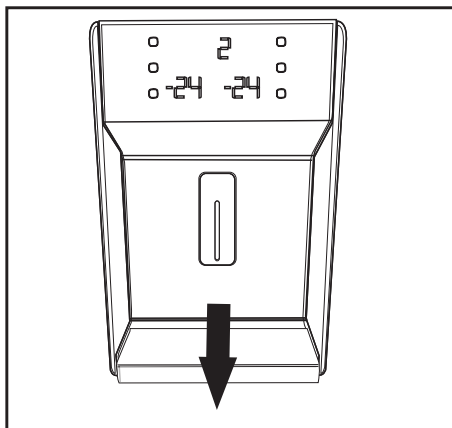
Первые несколько стаканов воды, вышедшей из распределителя, могут быть теплыми. Это вполне нормально.

Если распределитель воды используется нечасто, то для получения свежей воды необходимо слить некоторое количество воды из распределителя.



## Лоток для разлитых продуктов

Капли воды, падающие во время работы, накапливаются в лотке для разлитых продуктов. Вы можете достать лоток, потянув его на себя или нажав на край (в зависимости от модели). Воду можно удалить с помощью губки или мягкой ткани.



## Мини-бар

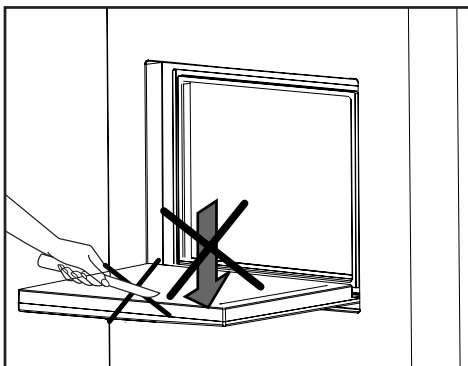
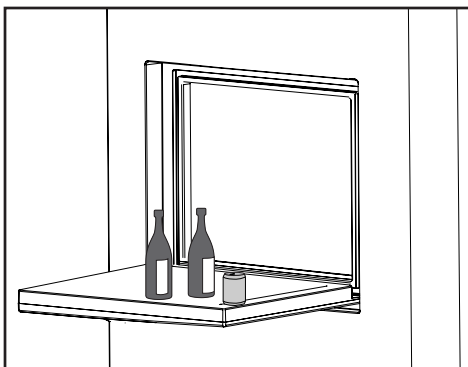
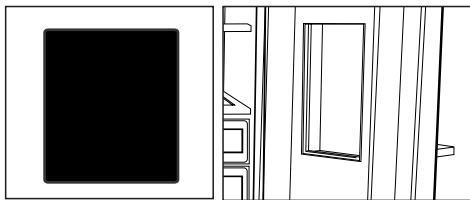
Функция «Мини-бар» обеспечивает дополнительное удобство использования холодильника. Чтобы получить доступ к дверной полке, нет необходимости открывать дверцу холодильника; благодаря этой функции вы можете доставать из холодильника еду и напитки частого употребления. Таким образом вы будете реже открывать дверцу холодильника и снизите его энергопотребление.

Чтобы открыть дверцу мини-бара, надавите на нее рукой и потяните на себя.

Если дверца мини-бара открыта, используйте ее внутреннюю поверхность в качестве столика, на который можно ненадолго ставить бутылки и стаканы, как показано на рисунке.

**⚠ Внимание!** Запрещено оказывать на столик мини-бара давление (сидеть, висеть или использовать в качестве ступени) и ставить на него тяжелые предметы. Это может привести к повреждению холодильника или травмам.

**⚠ Внимание!** На дверце мини-бара запрещено резать продукты; избегайте повреждения дверцы острыми предметами.



## 6 Чистка и уход

- ⚠ Ни в коем случае не используйте бензин, бензол или подобные вещества для чистки.
- ⚠ Перед чисткой рекомендуем отсоединить изделие от электросети.
- ⓘ Не используйте для чистки острые абразивные инструменты, мыло, бытовые чистящие средства, моющие средства и восковую политуру.
- ⓘ Корпус изделия промойте теплой водой и затем вытрите насухо.
- ⓘ Протрите внутреннюю поверхность изделия хорошо отжатой тканью, смоченной в растворе пищевой соды (1 чайная ложка на пол-литра воды), и вытрите насухо.
- ⚠ Не допускайте попадания воды в корпус лампочки и в другие электрические компоненты.
- ⚠ Если холодильник не будет использоваться в течение длительного времени, отключите сетевой шнур, извлеките все продукты, выполните чистку и оставьте дверцу приоткрытой.
- ⓘ Регулярно проверяйте, не испачкан ли уплотнитель дверцы частицами пищи.
- ⓘ Для снятия полок в дверце полностью разгрузите их, а затем просто приподнимите вверх.

## Защита пластмассовых поверхностей

- ⓘ Не храните жидкое масло или продукты, приготовленные с добавлением масла, в морозильной камере в открытых контейнерах, так как они могут повредить пластмассовые поверхности. Если же масло протекло или попало на пластмассовую поверхность, сразу же очистите и промойте это место теплой водой.

## 7 Рекомендации по устранению неисправностей

Прежде чем обращаться в сервисный центр, просмотрите этот перечень. Это может помочь вам сэкономить время и деньги. Ниже перечислены часто возникающие проблемы, причиной которых не являются дефекты производства или материалов. Некоторые из функций, описанных здесь, могут отсутствовать в вашем изделии.

|   |
|---|
| <b>Холодильник не работает.</b>   |
| <ul style="list-style-type: none"><li>• Правильно ли включен холодильник в сеть? Вставьте вилку в розетку электросети.</li><li>• Не перегорел ли предохранитель розетки, в которую включена морозильная камера, и главный предохранитель? Проверьте предохранитель.</li></ul>   |
| <b>Конденсация на боковой стенке холодильного отделения (MULTI ZONE, COOL CONTROL и FLEXI ZONE).</b>  |
| <ul style="list-style-type: none"><li>• Очень низкая температура окружающей среды. Частое открывание и закрывание дверцы. Изделие работает в условиях повышенной влажности. Хранение продуктов, содержащих жидкость, в открытых контейнерах. Неплотно закрыта дверца. Переключите термостат на более низкую температуру.</li><li>• Уменьшите время открывания дверцы или открывайте ее реже.</li><li>• Накройте продукты, хранящиеся в открытых контейнерах, соответствующим материалом.</li><li>• Вытрите конденсат сухой тканью и проверьте, не образуется ли он снова.</li></ul>   |
| <b>Не работает компрессор</b>   |
| <ul style="list-style-type: none"><li>• Термозащита компрессора может сработать при неожиданных отключениях энергоснабжения либо при выключениях-включениях прибора, поскольку давление хладагента в системе охлаждения не успевает стабилизироваться. Холодильник начнет работать ориентировочно через 6 минут. Если по истечении этого времени холодильник не заработал, обратитесь в сервисный центр.</li><li>• Холодильник находится в режиме размораживания. Это нормально для полностью автоматически размораживающегося холодильника. Цикл размораживания выполняется периодически.</li><li>• Холодильник не включен в розетку электросети. Убедитесь, что вилка должным образом включается в розетку.</li><li>• Правильно ли отрегулирована температура?</li><li>• Возможно, отключена подача электроэнергии.</li></ul> |

|   |
|---|
| Холодильник включается слишком часто или работает слишком долго.  |
| <ul style="list-style-type: none"> <li>• Ваш новый холодильник может быть больше, чем предыдущий. Это вполне нормально. Большие холодильники работают в течение более длительного времени.</li> <li>• Возможно, температура в помещении повышена. Это вполне нормально.</li> <li>• Возможно, холодильник был недавно включен или загружен продуктами. Полное охлаждение холодильника может продолжаться на пару часов дольше.</li> <li>• Возможно, в холодильник недавно поместили большое количество горячих продуктов. Горячие продукты в холодильнике заставляют его работать дольше, пока не будет достигнута нужная температура хранения.</li> <li>• Возможно, дверцы часто открываются либо были приоткрыты в течение длительного времени. Теплый воздух, попадающий в холодильник, заставляет его работать дольше. Открывайте дверцы реже.</li> <li>• Неплотно закрыта дверца морозильного или холодильного отделения. Проверьте, плотно ли закрыты дверцы.</li> <li>• Холодильник отрегулирован на очень низкую температуру. Отрегулируйте температуру холодильника до более высокого значения и подождите, пока установленная температура не будет достигнута.</li> <li>• Уплотнитель двери холодильного или морозильного отделения, возможно, загрязнен, изношен, разорван или неправильно установлен. Почистите или замените уплотнитель. Поврежденный/разорванный уплотнитель заставляет холодильник работать дольше для того, чтобы поддерживать текущую температуру.</li> </ul> |
| Температура в морозильном отделении слишком низкая, в то время как температура в холодильном отделении достаточная.   |
| <ul style="list-style-type: none"> <li>• Температура морозильного отделения установлена на очень низкое значение. Отрегулируйте температуру морозильного отделения на более высокое значение и проверьте работу.</li> </ul>   |
| Температура холодильного отделения очень низкая, в то время как температура в морозильном отделении достаточная.  |
| <ul style="list-style-type: none"> <li>• Возможно, температура холодильного отделения отрегулирована на очень низкое значение. Отрегулируйте температуру холодильного отделения до более высокого значения и проверьте работу.</li> </ul>   |
| Замерзают продукты в выдвижных контейнерах холодильного отделения.  |
| <ul style="list-style-type: none"> <li>• Возможно, температура холодильного отделения отрегулирована на очень низкое значение. Отрегулируйте температуру холодильного отделения до более высокого значения и проверьте работу.</li> </ul>   |
| Температура в холодильном и морозильном отделении слишком высокая.  |
| <ul style="list-style-type: none"> <li>• Возможно, температура холодильного отделения отрегулирована на очень высокое значение. Настройка холодильного отделения влияет на температуру морозильного отделения. Измените температуру холодильного или морозильного отделения, пока не будет достигнут нужный уровень температуры.</li> <li>• Возможно, дверцы часто открываются либо были приоткрыты в течение длительного времени; открывайте их реже.</li> <li>• Возможно, дверца холодильника приоткрыта; закройте ее полностью.</li> <li>• Возможно, в холодильник недавно поместили большое количество горячих продуктов. Подождите, пока холодильное или морозильное отделение достигнет нужной температуры.</li> <li>• Возможно, морозильник был недавно включен в сеть. На полное охлаждение холодильника потребуется время.</li> </ul>  |

|   |
|---|
| Уровень рабочего шума повышается во время работы холодильника.  |
| <ul style="list-style-type: none"> <li>Рабочие характеристики изделия могут изменяться в зависимости от изменений температуры окружающей среды. Это нормально и не является неисправностью.</li> </ul>  |
| Вибрация или шум.   |
| <ul style="list-style-type: none"> <li>Пол неровный или нетвердый. При медленном перемещении морозильник дрожит. Убедитесь в том, что пол ровный и достаточно прочный, чтобы выдержать вес холодильника.</li> <li>Шум могут вызывать предметы, поставленные на холодильник. Посторонние предметы следует убрать с холодильника.</li> </ul>  |
| Из холодильника доносится шум льющейся или распыляющейся жидкости.  |
| <ul style="list-style-type: none"> <li>Расход жидкости и газа изменяется в соответствии с принципами работы изделия. Это нормально и не является неисправностью.</li> </ul>   |
| Слышен шум, похожий на шум ветра.   |
| <ul style="list-style-type: none"> <li>Для охлаждения холодильника используются вентиляторы. Это нормально и не является неисправностью.</li> </ul>   |
| Конденсация влаги на внутренних стенках холодильника.   |
| <ul style="list-style-type: none"> <li>Жаркая и влажная погода способствует образованию льда и конденсации влаги. Это нормально и не является неисправностью.</li> <li>Возможно, дверцы холодильника приоткрыты; убедитесь, что они полностью закрыты.</li> <li>Возможно, дверцы часто открываются либо были приоткрыты в течение длительного времени; открывайте их реже.</li> </ul>   |
| Появление влаги снаружи холодильника или между дверцами.  |
| <ul style="list-style-type: none"> <li>Воздух может быть влажным; это вполне нормально при влажной погоде. Когда влажность уменьшится, конденсация исчезнет.</li> </ul>   |
| Неприятный запах внутри холодильника.   |
| <ul style="list-style-type: none"> <li>Следует выполнить чистку внутри холодильника. Протрите внутреннюю часть с помощью губки, теплой или газированной воды.</li> <li>Некоторые контейнеры или упаковочные материалы также могут быть источником запаха. Используйте другой контейнер или упаковочный материал другой марки.</li> </ul>  |
| Дверца не закрыта, как следует.   |
| <ul style="list-style-type: none"> <li>Упаковки продуктов могут препятствовать закрыванию дверцы. Переместите упакованные продукты, препятствующие закрытию дверцы.</li> <li>Холодильник стоит не совсем вертикально, это может вызвать дрожание даже при незначительном перемещении. Отрегулируйте регулировочные винты.</li> <li>Пол неровный или нетвердый. Убедитесь в том, что пол ровный и может выдержать вес холодильника.</li> </ul> |
| Контейнеры для фруктов и овощей прилипли.   |
| <ul style="list-style-type: none"> <li>Возможно, продукты касаются верхней части контейнера. Переместите продукты в контейнере.</li> </ul>  |

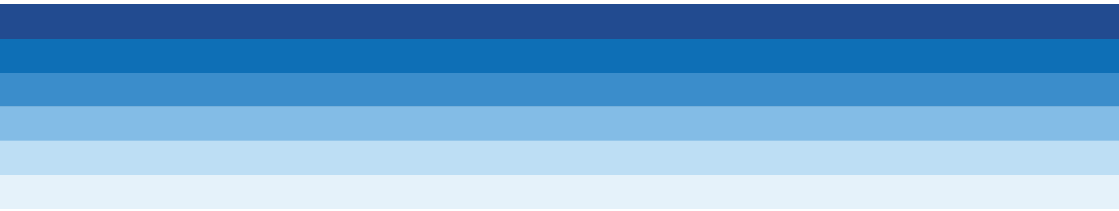


Производитель: «Arcelik A.S.»  
Адрес: Karaağaç Caddesi No:2-6 Söğütözü, 34445, Turkey  
Сделано в Турции.

Импортер в РФ: «BEKO LLC»  
Адрес: 601010, Владимирская область, Киржачский район, фабрика  
«BEKO»

Дата изготовления содержится в серийном номере изделия, указанном в паспортной табличке, которая находится на изделии, а именно: две первые цифры серийного номера указывают год изготовления, две последние – месяц. Например, «10-100001-05» означает, что изделие произведено в мае 2010 года.

Сертификационный номер можно уточнить, позвонив в центр телефонного обслуживания по номеру 8-800-200-23-56.



57 0365 0000/AC  
EN-RUS