



Light-duty chilled counter cabinet

Kis teljesítményű hűtött számláló szekrény

Chladený priehradkový priestor na ľahké použitie

Chlazená skříňka pro mírné používání

Хладилна витрина за леко охлаждане

Chłodzona szafa podblatowa do lżejszych zastosowań

Лесен кабинетски пулт за ладење

Väikese võimsusega madal külmik

WSA 14000



## **WARNING!**

In order to ensure a normal operation of your refrigerating appliance, which uses a completely environmentally friendly refrigerant the R600a (flammable only under certain conditions) you must observe the following rules:

- Do not hinder the free circulation of the air around the appliance.
- Do not use mechanical devices in order to accelerate the defrosting, others than the ones recommended by the manufacturer.
- Do not destroy the refrigerating circuit.
- Do not use electric appliances inside the food keeping compartment, other than those that might have been recommended by the manufacturer.

## **FIGYELMEZTETÉS!**

AzI, R600a (csak bizonyos körülmények között gyúlékony) teljesen környezetberát gázzal működő hűtőberendezés normális működésének eléréséhez, kövesse a következő szabályokat:

- Ne gátolja a levegő keringését a készülék körül!
- Ne használjon más mechanikus eszközöket a gyorsabb felolvasztás érdekében, mint amit a gyártó ajánl!
- Ne szakítsa meg a hűtőközeg keringésrendszerét!
- Ne használjon más elektromos eszközöket a mélyfagyasztó részben, mint amiket a gyártó javasolhat!

## **VAROVANIE!**

Aby sa zabezpečila normálna prevádzka vašej chladničky, ktorá používa úplne ekologicky nezávadné chladivo R600a (horľavé len pri určitých podmienkach), musíte dodržiavať nasledujúce pravidlá:

- Nebráňte voľnej cirkulácii vzduchu okolo spotrebiča.
- Nepoužívajte mechanické prístroje na urýchľovanie rozmrazovacieho procesu, iné ako odporúča výrobca.
- Neporušujte chladiaci okruh.
- Nepoužívajte elektrické spotrebiče vo vnútri pípacieho priestoru potravín, iné ako tie, ktoré odporúča výrobca.

## **UPOZORNĚNÍ!**

Aby byl zajištěn normální provoz vaší chladničky, která používá pro životní prostředí zcela neškodné chladicí médium R600a (vzňetlivé pouze za určitých podmínek), musíte dodržet následující pravidla:

- Nebraňte ve volné cirkulaci vzduchu kolem přístroje.
- Nepoužívejte mechanická zařízení pro zrychlení odmražení kromě těch, která jsou doporučena výrobcem.
- Nelikvidujte chladicí okruh.
- Nepoužívejte elektrické spotřebiče uvnitř prostoru pro potraviny kromě těch, která by mohl doporučit výrobce.

## **ВНИМАНИЕ!**

Вашия апарат съдържа хладилна течност R600a (запалим само при определени условия) газ от естествен произход който е силно съвместим със изискванията за опазване на околната среда. За да осигурите нормална работа на Вашият уред моля спазвайте следните правила:

- Осигурете нормална вентилация на уреда.
- Не използвайте механични устройства за размразяване на уреда, освен тези препоръчни от производителя.
- Не наранявайте хладилната верига.
- Не използвайте електрически уреди вътре в апарата.

## **UWAGA!**

Aby zapewnić normalną pracę tej, wykorzystującej całkowicie przyjazny środowisku (łatwopalny tylko w pewnych warunkach) środek chłodniczy R600, chłodziarko-zamrażarki, należy przestrzegać następujących zasad:

- Nie należy blokować swobodnego przepływu powietrza wokół chłodziarko-zamrażarki.
- W celu przyspieszenia rozmrażania nie należy używać żadnych innych urządzeń mechanicznych niż zalecane przez producenta.
- Nie wolno uszkodzić obwodu chłodniczego.
- Wewnątrz komory przechowywania żywności nie należy używać żadnych innych urządzeń elektrycznych niż ewentualnie zalecanych przez producenta.

## **ПРЕДУПРЕДУВАЊЕ!**

Со цел да се обезбеди нормално функционирање на уредот, кој користи целосно еколошки разладувач (фреон) R600a (запалив само под одредени услови), морате да се придржувате кон следните правила:

- Немојте да ја попречувате слободната циркулација на воздухот околу уредот.
- Немојте да употребувате механички предмети за да го забрзате процесот на одмрзнување. Користете ги само оние кои се препорачани од производителот.
- Немојте да го оштетувате разладното коло.
- Не употребувајте електрични апарати внатре во уредот. Користете ги само оние кои се препорачани од производителот.

## **HOIATUS!**

Et külmutusseade, mis kasutab igati keskkonnasõbralikku külmutusagensit R600a (tuleohtlik ainult teatavatel tingimustel), töötaks normaalselt, peate järgima järgmisi eeskirju:

- Ärge takistage õhu vaba ringlust seadme ümbruses.
- Ärge püüdke sulamist kiirendada mehaaniliste abivahenditega, mida tootja ei ole soovitanud.
- Ärge kahjustage külmutusagensikontuuri.
- Ärge kasutage toiduainete hoiukambrites elektriseadmeid, mida tootja ei ole soovitanud.

## EN Index

Advice for the recycling of your old refrigerating appliance /2  
Packing recycling /2  
Transport instructions /2  
Installation /3  
Mains connection /3  
Starting the appliance /3  
Temperature adjustment /4  
Appliance description /4  
Replacing the interior lamp /4  
Repositioning the door /4  
The appliance defrosting /4  
Cleaning and care /4-5  
Trouble - shooting guide /5

## HU Tárgymutató

Tanácsok régi fagyasztójának újrahasznosításához /7  
Csomagolás újrahasznosítás /7  
Szállítási utasítások /8  
Biztonsági intézkedések és általános információk /7  
Beüzemelés /8  
Fő csatlakozás /8  
Készülék beindítása /8  
Hőmérséklet beállítása /9  
Készülék leírás /9  
Belső lámpa cseréje /9  
Ajtó áthelyezése /9  
Készülék leolvasztása /9  
Tisztítás és védelem /9  
Zavarelhárítási útmutató /10

## SK Index

Poučenie o recyklácii vašej starej chladničky /12  
Recyklačný obal /12  
Inštrukcie o preprave /12  
Bezpečnostné opatrenia a základné rady /12  
Inštalácia /13  
Sieťové pripojenie /13  
Spustenie spotrebiča /13  
Regulácia teploty /14  
Popis spotrebiča /14  
Výmena interiérovej lampy /14  
Premiestňovanie dverí /14  
Používanie odmrazovania /14  
Čistenie a údržba /14  
Poradca hľadania chýb /15

## CZ Index

Rady pro recyklaci vaší staré chladničky /17  
Recyklace obalu /17  
Pokyny pro transport /17  
Bezpečnostní opatření a obecné rady /17  
Instalace /18  
Zapojení do sítě /18  
Zapnutí spotřebiče /18  
Nastavení teploty /19  
Popis spotřebiče /19  
Výměna vnitřní lampy /19  
Výměna dvířek /19  
Odmražení spotřebiče /19  
Čištění a péče /19  
Návod na odstraňování potíží /20

## BG Съдържание

Полезни съвети при изхвърляне на стария уред /22  
Рециклиране на опаковъчните материали /22  
Инструкции при транспортиране /22  
Мерки за безопасност /22  
Инсталиране /22  
Електрическо свързване /23  
Стартиране на уреда /23  
Настройка на температурата /24  
Описание на уреда /24  
Смяна на лампичката /24  
Промяна на посоката на отваряне на вратата /24  
Размразяване /24  
Почистване и поддръжка /24  
Разрешаване на проблеми /25

## PL Spis treści

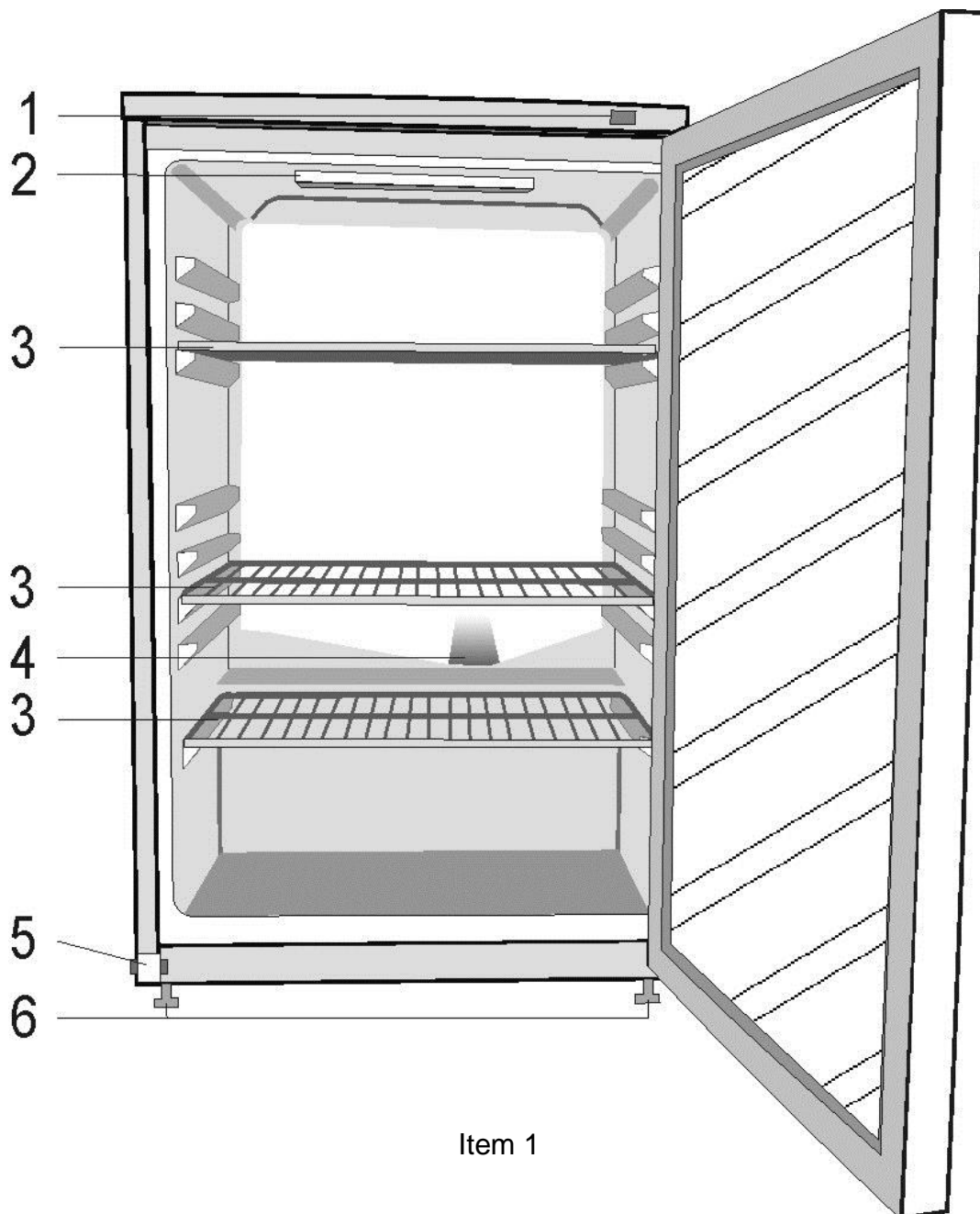
Porady jak zutylizować swoją starą lodówkę /27  
Utylizacja opakowania /27  
Transport urządzenia /27  
Bezpieczeństwo i porady /27  
Instalacja /28  
Podłączenie do sieci elektrycznej /28  
Uruchomienie urządzenia /28  
Ustawianie temperatury /29  
Opis urządzenia /29  
Wymiana żarówki oświetlenia wewnętrznego /29  
Przekładanie drzwi /29  
Rozmrażanie urządzenia /29  
Czyszczenie i konserwacja /29  
Możliwe usterki /30

## MK Содржина

Совет за рециклирање на стариот фрижидер /32  
Рециклирање на амбалажата /32  
Инструкции за транспорт /32  
Безбедноста на прво место /32  
Инструкции за инсталација /33  
Поврзување со струја /33  
Вклучување на уредот /33  
Подесување на температурата /34  
Опис на уредот /34  
Менување на внатрешната светилка /34  
Менување на положбата на вратата /34  
Одмрзнување /34  
Чистење и грижа /34  
Проблеми и решенија /35

## EST Register

Nõuanded vana külmiku utiliseerimiseks /37  
Pakendi utiliseerimine /37  
Transpordieeskirjad /37  
Ohutusabinõud ja üldised nõuanded /37  
Paigaldamine /38  
Toiteühendus /38  
Seadme käivitamine /38  
Temperatuuri reguleerimine /39  
Seadme kirjeldus /39  
Ukse avanemissuuna muutmine /39  
Seadme sulatamine /39  
Puhastamine ja hooldus /39  
Probleemide kõrvaldamine /40



Item 1

❗ Figures that take place in this instruction manual are schematic and may not correspond exactly with your product. If the subject parts are not included in the product you have purchased, then it is valid for other models.

❗ A használati útmutatóban található képek szemléltető jellegűek, nem a valódi terméket ábrázolják. Amennyiben olyan részeket talál, melyek nem találhatók meg, az Ön által megvásárolt termékben, akkor azok más modellekre vonatkoznak.

❗ Obrázky v tejto príručke k obsluhu sú schematické a nemusia sa presne zhodovať s vaším produktom. Ak produkt, ktorý ste si zakúpili, nedisponuje uvádzanými časťami, potom sa to týka iných modelov.

❗ Obrázky uvedené v tomto návodu k použití jsou schematické a nemusejí přesně korespondovat s vaším výrobkem. Pokud zobrazené části nejsou obsaženy v produktu, který jste zakoupili, jde o součásti jiných modelů.

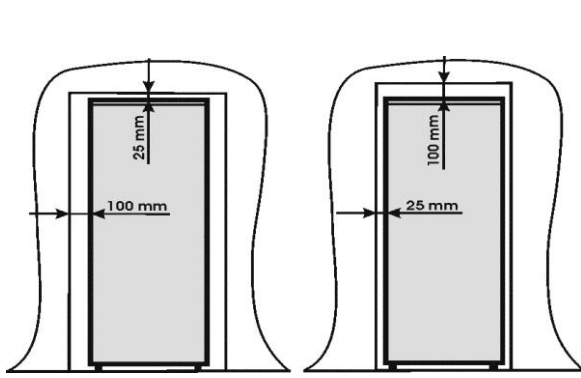
❗ Фигурите, в настоящето ръководство за употреба, са схематични и може да не отговарят точно на вашия уред. Ако споменатите части липсват във вашия уред, то те важат за други модели.

❗ Rysunki w niniejszej instrukcji to tylko schematy i nie muszą ściśle odpowiadać Waszemu modelowi lodówki. Jeżeli pewnych części nie ma w nabytej chłodziarce, to znaczy, że odnoszą się do innych modeli.

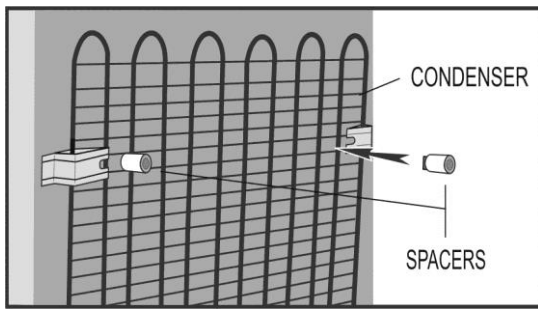
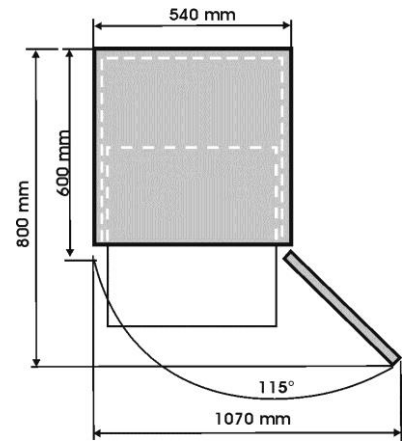
❗ Сликите што се прикажани во ова упатство за употреба се шематски и може да не соодветствуваат точно со производот. Ако деловите од поглавјето не се вклучени во производот што сте го купиле, тогаш тие важат за други модели.

❗ Selles kasutusjuhendis esinevad joonised on skemaatilised ja ei pruugi täpselt vastata teie tootele. Kui kõnealused osad ei ole teie soetatud tootega kaasas, kehtib see teiste mudelite kohta.

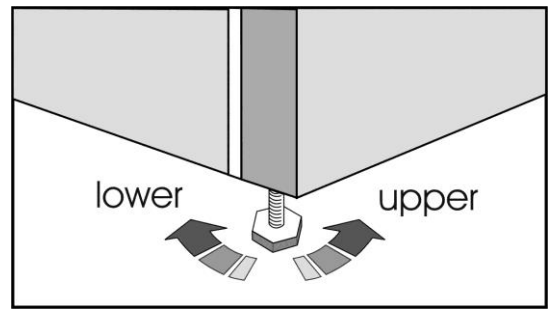
❗ Selles kasutusjuhendis esinevad joonised on skemaatilised ja ei pruugi täpselt vastata teie tootele. Kui kõnealused osad ei ole teie soetatud tootega kaasas, kehtib see teiste mudelite kohta.



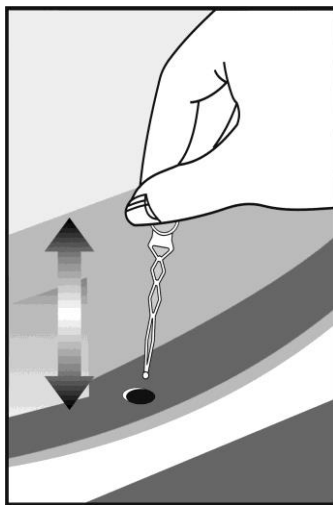
Item 2



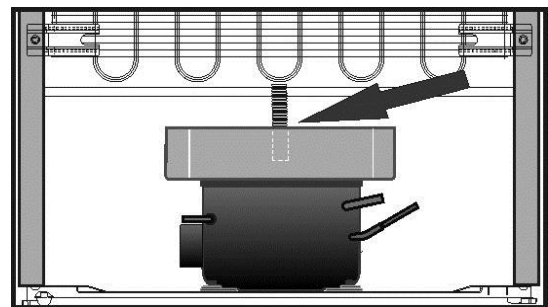
Item 3



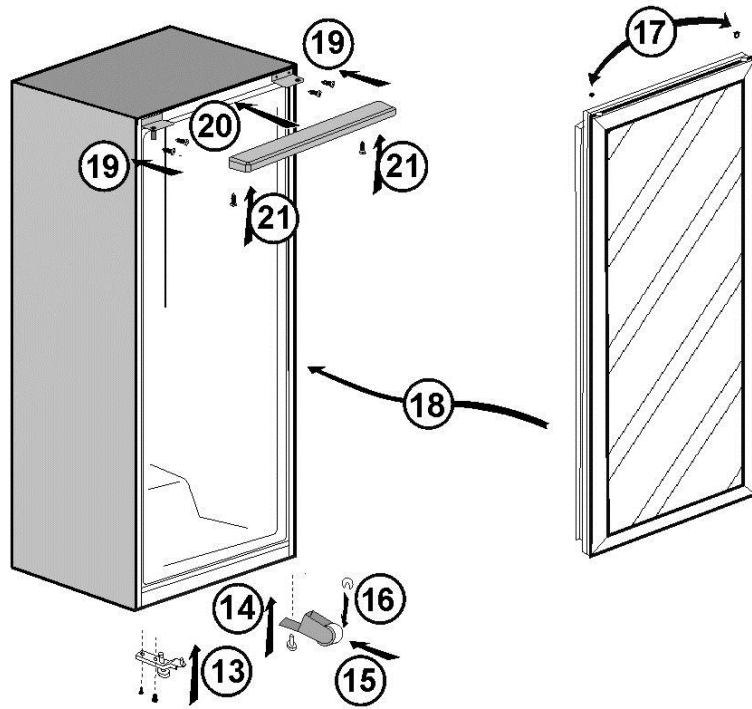
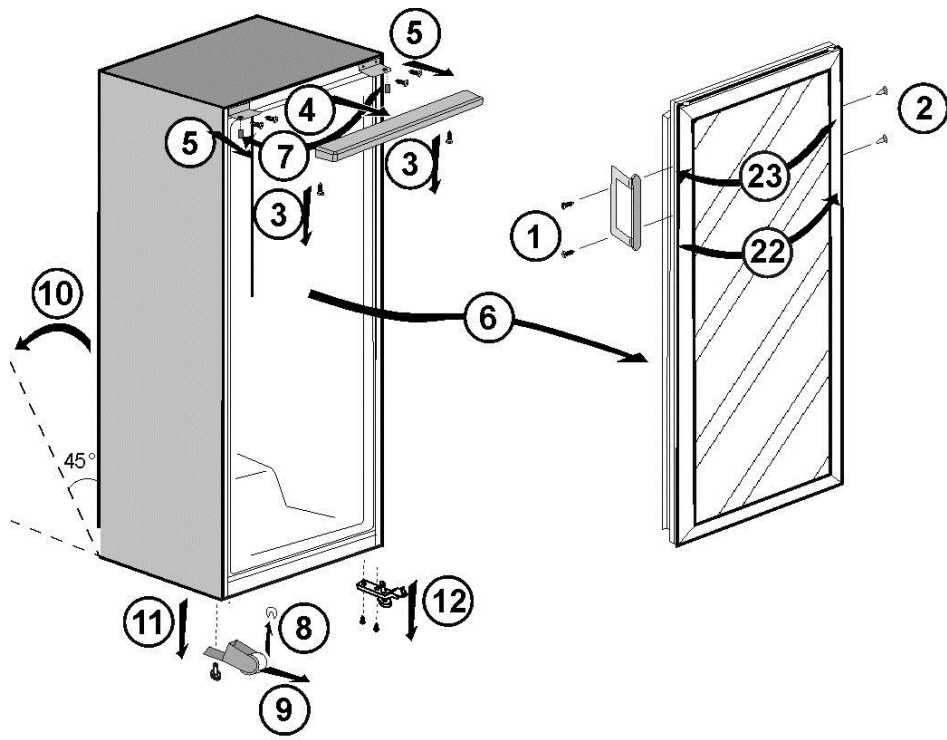
Item 4



Item 5



Item 6



Item 7

Congratulations on your choice of a BEKO Quality Appliance, designed to give you many years of service.

The „Light-duty chilled counter cabinet” are appliances for the cooling of beverages and for preserving the fresh food.

They are provided with transparent door made of safety glass.

It has a new and attractive design and it's manufactured according to the international rules, which guarantee you the working and safety capacities.

To use your show-window refrigerator in the best conditions, please read carefully these usage instructions.

Original Spare parts will be provided for 10 years, following the product purchasing date.

**This appliance is not intended for use by person with reduced physical, sensory or mental capabilities or lack of experience and knowledge unless they have been given supervision or instruction concerning use of the appliance by a person responsible for their safety. Children should be supervised to ensure that they do not play with the appliance.**

**This is not a household product, this is a commercial product for professional use.**



### **Advice for the recycling of your old refrigerating appliance**

If the „Light-duty chilled counter cabinet” replaces an older one, you should comply with some things.

The old appliances aren't valueless wastes. Their removal according to ambient environment allows the recovering of some important raw materials.

How you can do the old appliance to be disposed:

- disconnect the unit from the power supply,
- remove the supply cable (cut off),
- remove the possible locks on the door in order to avoid the children to be blocked inside when playing and their life to be in danger.

The refrigerators and freezers contain insulating materials and refrigerating agents that require an adequate recycling.

### **Packing recycling**

#### **Warning !**

- Don't let the children play with the packing or with some parts of it. There is the risk of suffocation with pieces of the folded cardboard and plastic sheet.
- In order to be received in good conditions, the appliance was protected with an adequate packing. All materials of the wrap are according to the environment and they can be recycled. Please help us to recycle the packing in accordance with the environment !

#### **Important !**

Read carefully and entirely all these instructions before the starting up of the appliance. These instructions contain important information regarding to the installation, using and maintenance of the appliance.

The manufacturer will not be responsible if these instructions are not accordingly complied with the manual. Keep this manual into a safe place in order to easy consult it if necessary. Furthermore, it could be useful for another user.

#### **Warning !**

This appliance should be used only for the purpose for which it was manufactured, in adequate spaces, kept away from the rain, humidity or other atmospheric factors.

### **Transport instructions**

The appliance must be transported only in vertical position. The packing must be intact during the transport. Before plugging in the appliance, let it rest at least 4 hours.

If these instructions are not complied with, can result in the motorcompressor failure and the appliance could be took out from the guarantee.

### **Safety measures and general advice**

If you observed any failure please do not put the appliance into operation.

- ◆ Do not leave the doors open more than it is necessary to take out and to put inside the food.
- ◆ Do not keep inside products containing flammable or explosive gases.
- ◆ Do not let the children play or hide in the appliance.
- ◆ Before any cleaning operation, unplug the appliance.

#### **To unplug the appliance, pull the plug, not the cable!**

- ◆ Do not climb on the appliance, do not lean on the door, shelves.
- ◆ Don't use the appliance near the heaters, cooking machines or other heat sources.
- ◆ In order to prevent any possibility of damage or accident, do not put on the appliance (top) any instable objects containing liquids or fire sources (flower vases, flower pots, candles, lamps, etc).
- ◆ Do not leave the food in the appliance if it is not working.

♦ It is not recommended to stop the appliance if you will not use it for a few days. If you don't use it for a longer period, please proceed as follows:

- unplug the appliance;
- empty the refrigerator and the freezer;
- defrost and clean the appliance;
- let the doors open in order to avoid the unpleasant odors.
- ♦ The supply cord can be replaced only by an authorised person.
- ♦ If the supply cord is damaged, it must be replaced by the manufacturer, its service agent or similarly qualified persons in order to avoid a hazard.

### **Installation**

- ♦ This appliance is intended for use in ambient temperatures up to 25°C and humidity %60, Climate class 3 ( according with Reg EU 1095-2005) , which should be kept relatively constant. Assemble the appliance far from any heat source. Placing the appliance in a warm room, exposing it directly to sunshine or placing it near a heat source (heaters, cookers, ovens) results in energy consumption increase and reduce the life of the appliance.
- ♦ Please observe the following minimal distances:
  - 100 cm from the cookers with coal or petrol;
  - 150 cm from the electric and/or gas cookers
 Provide free air circulation around the appliance, by observing the distances mentioned in the drawings **(Items 2)**.
- ♦ Put the back airing lid to the back of your refrigerator to set the distance between the refrigerator and the wall **(Item 3)**.
- ♦ Place the appliance in a dry and well ventilated place, perfectly even, adjusting the front feet if necessary **(Item 4)**.

- ♦ Any “suspended” furniture will be assembled at a minimum distance of 10 cm above the appliance. The same distance will be also provided in case of a niche or another construction element.
- ♦ The appliance is not made to be built in the furniture.
- ♦ Please assemble the accessories.

### **Mains connection**

Your appliance is designed to work at a mono-phase voltage of 220-240V, 50Hz. Before connecting the appliance to the mains, be sure that the mains parameters of your house (voltage, current type, and frequency) are according to the working parameters of the appliance.

- ♦ The information concerning the supply tension and absorbed power are given in the marking label, placed inside on the side, which can be seen after drawing the crisper.
- ♦ The electric installation must be done according to the law requirements.
- ♦ The manufacturer is not responsible for the eventual problems occurred to persons, animals or property due to the non-observance of the above-mentioned conditions.
- ♦ The appliance has a supply cable and a plug (European type, marked 10/16A), with double earthing. If the plug is not the same type as the socket, ask a specialised electrician to change it.
- ♦ Do not use adaptors.

### **Starting the appliance**

Before starting the appliance, clean the inside of the appliance. (See “Cleaning and care”). After doing this, connect the appliance to the mains. Adjust the thermostat buttons on an average position.

For inside lighting, adjust button of the signalling block on medium position . Leave the appliance operate abt. 2 hours without placing inside any beverages or food inside.

## Temperature adjustment

The internal temperature could be adjusted by means of the button from the thermostat.

The temperatures obtained inside the appliance could oscillate depending on the usage conditions: location, environmental temperature, doors opening frequency, foods quantity. Position of thermostat button will change depending on these conditions.

Generally, for an environmental temperature of 25°C, thermostat button will be settled on a medium position. This position can be adjusted subsequently towards plus or minus according to the user's wish

The thermostat (placed in the rear side of the appliance, in the ventilation grill) also assures the automatic defrost of the refrigerator.

During the defrost period the temperature inside the refrigerator could reach up to +12°C, but it decreases up to 2-3°C.

Avoid some positions of thermostat button that could involve a continuously running of the appliance.

## Appliance description (Item 1)

- 1 - Lamp switch
- 2 - Lamp box inside lighting
- 3 - Grids
- 4 - Water collector
- 5 - Door support roller
- 6 - Adjustable foot

## Replacing the interior lamp

Unplug the appliance, take out the lamp and replace it another and assemble.

Unplug the appliance, take out the lamp and replace it another and assemble.

The lamp(s) used in this appliance is not suitable for household room illumination. The intended purpose of this lamp is to assist the user to place foodstuffs in the refrigerator/freezer in a safe and comfortable way.

The lamps used in this appliance have to withstand extreme physical conditions such as temperatures below -20°C.

## Repositioning the door

Proceed in numerical order (Item 7).

## The appliance defrosting

The defrosting is fully automatic and takes place at pre-set periods. It is not necessary any intervention from you.

The resulted water is collected in a drip pan located on the compressor. The water evaporates there because of the heat issued during its working (Item 5).

### Important !

Keep clean the collector and draining hose for the water flow resulted after defrosting. To do so, use the supplied trench part. Check the hose to be permanently with the end inside the drip tray on the compressor in order to prevent the water flow above the electric wiring or on the floor (Item 6).

## Cleaning and care

1. We recommend that you switch off the appliance at the socket outlet and pull out the mains plug before cleaning.
  2. Never use any sharp instruments or abrasive substances, soap, household cleaner, detergent or wax polish for cleaning.
  3. Use luke warm water to clean the cabinet of the appliance and wipe it dry.
  4. Use a damp cloth wrung out in a solution of one teaspoon of bicarbonate of soda to one pint of water to clean the interior and wipe it dry.
  5. Make sure that no water enters the temperature control box and lamp box.
  6. We recommend that you polish the metal parts of the product (i.e. door exterior, cabinet slides) with a silicone wax (car polish) to protect the high quality paint finish.
  7. Check door seals regularly to ensure they are clean and free from food particles.
  8. Never :
    - Clean the appliance with unsuitable material; eg petroleum based products.
    - Subject it to high temperatures in any way,
    - Scour, rub etc., with abrasive material.
- Never use gasoline or similar materials for cleaning purposes.**

9. Clean the outside part of the refrigerating circuit (compressor, condenser, connection, tubes) by a soft brush or by the vacuum-cleaner. During this operation, please take care not to distort the tubes or to remove the cables.

10. When you finish the cleaning arrange the accessories at their place and connect the appliance to the mains.

### **Trouble-shooting guide**

#### **Appliance does not work**

- ◆ There is an energy cut-off.
- ◆ The plug of the supply cord is not well inserted in the socket.
- ◆ The fuse is blown.
- ◆ The thermostat is on position Stop (O).

#### **The appliance does not cool**

- ◆ There was an energy cut-off for a longer period of time.
- ◆ Fresh food was introduced to be frozen.
- ◆ The appliance was not placed correctly.
- ◆ The appliance is too near of a heat source.
- ◆ The thermostat button is not on the correct position.
- ◆ Ambient temperature is too high.

#### **The inside lighting does not work when the compressor is running**

- ◆ The lamp is blown. Unplug the appliance, take out the lamp and replace it with another and assemble.
- ◆ The switch is on off position or out of order.
- ◆ The switch is not acted.

#### **The appliance is too noisy**

- ◆ The appliance was not installed properly.
- ◆ The back pipes are touching or vibrating. There is a contact between the bottles or other vessels inside.

#### **There is water on the inside of the cabinet linear.**


- ◆ The water drainage channel is clogged.

If you followed the above-mentioned information and did not succeed to find the failure, please contact the Service.

#### **Warning!**

Do not attempt at any time to repair the appliance or its electric components yourself. Any repair done by an unskilled person is dangerous for the user and can lead to warranty loss.



The symbol  on the product or on packaging indicates that this product may not be treated as household waste. Instead it shall be handed over to the applicable collection point for the recycling of electrical and electronic equipment. By ensuring this product is disposed of correctly, you will help prevent potential negative consequences for the environment and human health, which could otherwise be otherwise be caused by inappropriate waste handling of this product. For more detailed information about recycling of this product, please contact your local city office, you household waste disposal service or the shop where you purchased the product.

Gratulálunk a BEKO minőségű készülékválasztásához melyet sok évnyi használatra terveztek.

A kirakat eszköz az ital hűtésére és az étel frissen tartásához.

Az átlátszó ajtók bizonyítottan biztonsági üvegből készültek.

Ez egy új és vonzó tervezés és megfelel az európai szabályoknak, amely garantálja Önnek a működés és biztonság minőségét.

A kirakati hűtőszekrény legmegfelelőbb körülmények közötti használatához olvassa el figyelmesen ezeket a használati utasításokat.

**Ennek a készüléknek a használata, csökkentett szellemi és fizikai képességekkel rendelkezők számára csak felügyelet mellett tanácsos.**

**A készülék a gyerekek számára veszélyes, ezért, csak felügyelet mellett használhatják.**

**A készülék nem játékszer.**

**Ez nem egy háztartási termék, ez kereskedelmi termék professzionális használatra.**

## Tanácsok régi fagyasztójának újrahaznosításához

A régi kirakati hűtőszekrény újra való cseréléséhez néhány dolognak eleget kell tenni.

A régi készülék nem értéktelen hulladék. A kiszerelése a környezetvédelmi előírásoknak megfelelően lehetővé teszi néhány fontos nyersanyag újrafelhasználását.

Hogyan értékesítheti régi készülékét:

- szerelje le az egységet az áramellátásról,
- távolítsa el az áramellátó kábelt (kikapcsol)
- távolítsa el a lehetséges zárat az ajtón, hogy elkerülje annak veszélyét, hogy egy gyerek bezárja magát a belsejébe, ha játszik.

A hűtőszekrény és mélyhűtő szigetelőanyagokat és hűtő hatóanyagokat tartalmaz, amely megfelelő újrahaznosítást igényel.

## Csomagolás újrahaznosítás

### Figyelem!

-Ne engedje, hogy a csomagolással vagy annak valamely részével gyerekek játszanak. A hajtogatott karton és műanyag fólia darabjai fulladásveszélyesek.

-Azért, hogy jó állapotban érkezzon meg, a készüléket megfelelő csomagolással védik. A csomagolás minden anyaga megfelel a környezeti előírásoknak és újrahaznosíthatóak. Kérem segítsen a környezeti előírásoknak megfelelően a csomagolást újrahaznosítani!

### Fontos !

Figyelmesen olvasson végig minden utasítást, mielőtt beüzemeli a készüléket! Ezek az utasítások fontos információkat tartalmaznak a készülék beüzemelésre, használatra és karbantartására vonatkozóan.

A gyártó nem felelős, ha ezeket az utasításokat nem tartják be a kézikönyvnek megfelelően. Tartsa a kézikönyvet biztonságos helyen, hogy könnyedén utánanézzon valaminek, ha szükséges! Továbbá hasznos lehet más felhasználók számára.

### Figyelem!

A készülék csak a gyártásnak megfelelő célra használható, megfelelő helyen, távol tartva esőtől, párától vagy egyéb légköri tényezőtől.

### Szállítási utasítások

A készüléket csak függőleges állapotban szabad szállítani. A csomagolásnak sértetlennek kell lennie a szállítás alatt. Mielőtt bedugná a készüléket, hagyja 4 órát állni.

Ha nem tesz eleget ezeknek az utasításoknak, az a motorkompresszor meghibásodását okozhatja és a garanciát elveszítheti.

### Biztonsági intézkedések és általános információk

Ha valamilyen hibát észrevesz, kérem ne üzemeltesse a készüléket.

- ♦ Kérem ne hagyja nyitva tovább az ajtót, mint amennyi az étel kivételéhez és betételéhez szükséges.

- ♦ Ne tartson olyan terméket benne, amely gyúlékony vagy robbanásveszélyes.

- ♦ Ne hagyja, hogy a gyerekek játszanak vagy elbújjanak a készülékben.

- ♦ Húzza ki a dugót, mielőtt tisztítaná..

**A készülék kihúzásához a dugót húzza, ne a kábelt!**

- ♦ Ne másszon fel a készülékre, és ne dőljön az ajtónak vagy a polcoknak.

- ♦ Ne használja a készüléket fűtés, gáztűzhely vagy más egyéb hőforrás közelében.

- ♦ Hogy elkerülje bármilyen sérülés vagy baleset lehetőségét, ne tegyen a készülék tetejére semmiféle folyadékot tartalmazó instabil tárgyat vagy tűz forrását (Virágos váza, virágcserep, gyertyák lámpák, stb.)

- ♦ Ne hagyjon élelmiszert a készülékben, ha nem működik.

♦ Nem ajánlatos a készüléket kikapcsolni, ha néhány napig nem használja. Ha hosszabb ideig nem használja, kérem a következőképpen járjon el:

- húzza ki a készüléket,
- ürítse ki a hűtőszekrényt és fagyasztót,
- olvassza le és tisztítsa meg a készüléket,
- hagyja nyitva az ajtót, hogy elkerülje a kellemetlen szagokat.

- ♦ Az áramellátó kábelt, csak arra felhatalmazott személy cserélheti ki.
- ♦ Ha az áramellátó zsinór megsérült, annak kicserélését a gyártóval, a gyártó szervizelőjével vagy hasonló képzett szakemberrel kell elvégeztetni a veszély elkerülése érdekében.

### Beüzemelés

♦ Jelen készüléket környezeti hőmérsékletekben, akár 25°C valamint 60%-os páratartalomban történő használatra készítették, 3. klímaosztály (Az UE 1094/2015 előírás alapján), melyet aránylag állandó értéken kell tartani. Bármilyen hőforrástól távol szerelje össze a készüléket. A készüléket meleg helyiségbe helyezve, közvetlenül napfényre kiállítva vagy hőforrás közelébe helyezve (fűtés, tűzhely, sütő) növeli az energiafogyasztást és csökkenti a készülék élettartamát.

♦ Kérem tartsa be a következő minimális távolságokat:

- 100 cm szén- vagy olajtűzhelytől;
  - 150 cm elektromos- és/vagy gázsütőtől
- Biztosítson szabad légkeringést a készülék körül, megtartva a rajzokon feltüntetett távolságokat **(2 és 3 tétel)**.

♦ Tegye a hátsó szellőztető fedelet a hűtőszekrény hátuljához, hogy beállíthassa a fal és a készülék közötti távolságot

♦ Helyezze a készüléket száraz és jól szellőző helyre, éppen egészen az első talpazathoz beállítva, ha szükséges **(4.tétel)**.

♦ Bármilyen "felfüggesztett" bútor minimum 10 cm távolságra legyen beszerelve a készüléktől. Hasonló távolságról gondoskodjon falmélyedés vagy egyéb konstrukciós elem esetén is.

♦ A készülék nem helyezhető beépített bútorba.

♦ Kérem gyűjtse össze a kellékeket.

### Fő csatlakozás

Az Ön készülékét 220-240V, 50Hz monofázisú feszültséghez tervezték. Mielőtt csatlakoztatná készülékét a fő áramkörhöz, győződjön meg róla, hogy házának fő paraméterei (feszültség, aktuális típus, és frekvencia) megfelelnek a készülék működési paramétereinek.

♦ Az elektromos ellátás és használt energia a jelölőcímkén fel van tüntetve, amely a belső oldalon van elhelyezve- amely az elhúzás után jobban látható.

♦ Az elektromos bevezetést a jogi követelményeknek megfelelően kell végezni.

♦ A gyártó nem felelős a lehetséges problémákért, amely a fent említett feltételek figyelmen kívül hagyása miatt személyi, állati vagy vagyoni eredetű..

♦ A készülék rendelkezik áramellátó kábellel és dugóval (európai típus, 10/16A jelzett), dupla földeléssel. Ha a dugó más típusú, mint a foglalat, erre szakosodott villanyszerelőt kérjen meg a cserére.

♦ Ne használjon elosztókat.

### Készülék beindítása

Mielőtt beindítja a készüléket, tisztítsa meg a belsejét. (Lásd: Tisztítás és védelem)

Miután ezut elvégezte, csatlakoztassa a készüléket a fő áramkörhöz. Állítsa be a termosztát gombot a megfelelő állásba-

A belső világításhoz állítsa a fagyasztásjelző gombot középső állásba.

Hagyja a készüléket abt. működni. 2 óra bármilyen ital vagy élelmiszer elhelyezés nélkül.

## Hőmérséklet beállítás

A belső hőmérsékletet beállíthatja a termosztát gomb segítségével.

A készülék belsejében fennálló hőmérséklet ingadozhat a használat feltételeitől függően: Elhelyezés, környezeti hőmérséklet, ajtó nyitásának gyakorisága, ételminőség. A termosztát gombjának állapota ezen feltételektől függően változik. Rendszerint, 25°C környezeti hőmérséklet esetén, a termosztát gomb egy középállapotban helyezkedik el. A távolság utólagosan is beállítható.

A termosztát (a készülék hátsó részén, a szellőzésnél helyezkedik el) biztosítja a hűtőszekrény automatikus kiolvasztását. A kiolvasztás ideje alatt a belső hőmérséklet elérheti a legfeljebb +12°C-t, de lecsökken legfeljebb 2-3°C-ra.

## Készülék leírás (1. tétel)

- 1 - lámpa kapcsoló
- 2 - lámpabúra - belső világítás
- 3 - rács
- 4 - (olvadék)víz elvezető
- 5 - zsanér
- 6 - állítható láb

## Belső lámpa cseréje

Húzza ki a készüléket, vegye ki a lámpát, cserélje ki másikra és szerelje be. A készülékben lévő lámpa/lámpák háztartásban lévő helyiségek megvilágítására nem alkalmas/alkalmasak. A lámpa rendeltetése, hogy segítse a felhasználót az élelmiszerek hűtőszekrénybe/fagyasztószekrénybe való gyors és biztonságos behelyezésében. A készülékben használt lámpáknak extrém környezeti hatásokat kell kibírniuk, mint pl. a -20°C hőmérséklet.

## Ajtó áthelyezése

Eljárás számsorrendben (7. tétel).

## Készülék kiolvasztása

A kiolvasztás teljesen automatikus és előre beállított időpontban történik. Az Ön részéről semmilyen beavatkozás nem szükséges. A keletkező víz egy csöpögő edényben gyűlik össze a kompresszoron. A víz itt elpárolog a működés közben a kibocsátott hő miatt (5. tétel).

### Fontos !

Tartsa tisztán a gyűjtőt és lefolyó csövet a kiolvasztás után keletkező víz számára. Hogy így történjen, használja a szállított csatornát. Állandóan ellenőrizze a csövet a kompresszoron lévő csöpögő tálca belső végénél, hogy elkerülje az elektromos vezeték fölötti vagy padlóra folyást (6. tétel).

## Tisztítás és védelem

1. Azt tanácsoljuk, hogy kapcsolja ki a készüléket és húzza ki a fő dugót, mielőtt tisztítja.
  2. Soha ne használjon éles tárgyat vagy csiszoló anyagot, szappant, háztartási tisztítót, tisztítószeret vagy wax polírozót a tisztításhoz.
  3. Használjon langyos vizet a készülék vitrinjének tisztításához és törölje szárazra.
  4. Használjon nedves, kicsavart ruhát egy teáskanálnyi bikarbónát, szódát fél liternyi vízben feloldva a tisztításhoz és törölje szárazra.
  5. Győződjön meg róla, hogy nem került víz a hőmérsékletszabályozó dobozba és lámpa dobozba.
  6. Azt tanácsoljuk, hogy a termék fémrészeit (pl.: külső ajtó, vitrin oldalak) szilikon wax-szal (autó polírozó) polírozza, hogy a minőségi fedőfestést megóvja.
  7. Rendszeresen ellenőrizze az ajtó tömítéseket, hogy meggyőződjön róla, hogy tiszták és ételmaradékoktól mentesek.
  8. Soha:
    - Ne tisztítsa a készüléket arra alkalmatlan anyagokkal, pl.: petróleum alapú termékekkel.
    - Semmilyen körülmények között ne szolgáltatassa ki magas hőnek.
    - Ne tisztítsa, súrolja, stb., csiszoló anyaggal.
- Soha ne használjon gázolajat vagy hasonló anyagokat tisztítási célra.



9. A fagyasztó áramkör külső részeit (kompresszor, kondenzátor, csatlakozó, csövek) finom kefével vagy vákuum-tisztítóval tisztítsa. A folyamat alatt ügyeljen arra, hogy ne csavarja ki a csöveket vagy ne távolítsa el a kábeleket.

10. Ha befejezte a tisztítást, rendezze vissza a kiegészítőket a helyükre és csatlakoztassa a készüléket a fő áramkörhöz.

### Zavarelhárítási útmutató

#### A készülék nem működik

- ◆ Áramszünet esetén.
- ◆ Az áramellátó zsinór dugója nem jól illeszkedik a konnektorba.
- ◆ Kiolvadt a biztosíték.
- ◆ A termosztát Stop(állj) állapotban van (O).

#### A készülék nem hűt

- ◆ Hosszabb ideig tartó áramszünet esetén.
- ◆ Friss élelmiszert fagyasztva tettek be.
- ◆ A készülék nem helyesen lett elhelyezve.
- ◆ A készülék túl közel van egy hőforráshoz.
- ◆ A termosztát nincs a megfelelő állásban.
- ◆ A környezet hőmérséklete túl magas.

#### A belső világítás nem működik, ha a kompresszor megy

- ◆ Kiégett lámpa. Húzza ki a készüléket, vegye ki a lámpát, cserélje ki másikra és szerelje be.
- ◆ A kapcsoló "ki" állapotban van vagy nem működik.
- ◆ A kapcsoló nem működik.

#### A készülék túl hangos

- ◆ A készülék nem helyesen lett beüzemelve.
- ◆ A hátsó cső érintkezik vagy vibrál.
- ◆ Az üvegek vagy egyéb edények érintkeznek belül.

#### Víz van a vitrin belső oldalán.


- ◆ A vízlecsapoló csatorna eltömődött.

Ha következi a fent említett információkat és nem sikerül megtalálni a hibát, kérem lépjen kapcsolatba a szervizzel.

#### Figyelem!

Soha ne próbálja meg egyedül a készülék vagy elektromos részek javítását. Bármilyen képzetlen személy általi javítás veszélyes lehet a felhasználóra és a garancia elvesztését eredményezheti.



A terméken vagy a csomagoláson található  ábra azt jelzi, hogy a termék nem kezelhető háztartási hulladékként, hanem a megfelelő, az elektromos és elektronikus felszerelések újrahasznosítására létesült begyűjtő pontokban kell leadni. Ha gondoskodik a termék megfelelő leselejtezéséről, segít megelőzni azokat a környezetre és egészségre káros hatásokat, amelyeket a termék nem megfelelő leselejtezése eredményezne. A termék leselejtezésével kapcsolatos további részletekért forduljon a lakóhelyén található háztartási hulladék begyűjtőhöz vagy az áruházhoz, ahol a terméket megvásárolta.

Blahoželáme k Vášmu výberu BEKO kvalitného spotrebiča, navrhnutého tak, aby Vám slúžil veľa rokov.

Výkladové okienka sú spotrebiče na chladenie nápojov a pre konzervovanie čerstvého jedla.

Sú vyhotovené s priehľadnými dverami z bezpečnostného skla.

Má nový a atraktívny dizajn a je vyrobená podľa medzinárodne uznávaných pravidiel, ktoré garantujú fungovanie a výkon.

K používaniu výkladu chladničky za najlepších podmienok, prosíme prečítajte si podrobne tento návod na použitie.

Originálne náhradné súčiastky budú dodávané po dobu 10 rokov od kúpy výrobku.

**Tento spotrebič by nemali používať osoby so zníženou fyzickou, senzorickou alebo mentálnou spôsobilosťou alebo s nedostatočnými skúsenosťami a poznatkami. Tieto osoby môžu spotrebič používať len pod dohľadom osoby zodpovednej za ich bezpečnosť, alebo ak ich zodpovedná osoba poučila o správnom používaní spotrebiča. Deti by mali byť pod dozorom, aby sa nehrali so spotrebičom.**

**Nie je to výrobok pre domácnosť, jedná sa o komerčný produkt pre profesionálne použitie.**

## **Poučenie o recyklácii vašej starej chladničky**

Ak nový výklad chladničky nahradí starší, mali by ste splniť nejaké podmienky.

Staré spotrebiče netvorí bezhodnotný odpad.

Ich odstránenie vzhľadom k okolitému prostrediu umožňuje získať späť niektoré dôležité ťažobné materiály.

Ako môžete zabezpečiť korektné odstránenie starého spotrebiča:

- odpojte jednotku z elektrickej siete,
- odstrihnite elektrický kábel,
- odstráňte možný zámok na dverách, aby ste predišli tomu, že sa dnu zamknú deti.

Chladničky a mraziaky pozostávajú z izolačných materiálov a chladiacich médií, ktoré si vyžadujú adekvátnu recykláciu.

## **Recyklačný obal**

### **Varovanie!**

- Nenechajte deti hrať sa s obalom, prípadne s ktorýmkoľvek jeho časťami. Je tu riziko udusení sa kúskami zosúkanej lepenky a plastickou fóliou.

- Za účelom prijatia tovaru v dobrom stave je spotrebič chránený adekvátnym obalom.

Všetky materiály obalu sú v súlade so životným prostredím a môžu byť recyklované.

*Prosíme Vás, pomôžte nám recyklovať obaly v súlade s požiadavkami životného prostredia!*

### **Dôležité!**

Podrobne do konca si prečítajte tieto inštrukcie predtým, než spotrebič začnete používať.

Tieto inštrukcie pozostávajú z dôležitých informácií týkajúcich sa inštalácie, použitím údržby používania.

Výrobca nebude niesť zodpovednosť ak tieto inštrukcie nie sú adekvátne v súlade s manuálom. Uschovajte tento manuál na bezpečnom mieste za účelom konzultácie, ak to bude nevyhnutné. Okrem toho by mohol byť užitočný pre iného užívateľa.

### **Varovanie!**

Tento spotrebič by mal byť použitý iba za účelom pre ktorý bol vyrobený, v príslušných medziach, chránený pred dažďom, vlhkosťou alebo inými atmosferickými činiteľmi.

## **Inštrukcie prepravy**

Spotrebič musí byť prepravovaný výlučne vo vertikálnej polohe. Obal musí ostať počas prepravy nepoškodený. Pred zapojením nechajte spotrebič stáť v klude minimálne 4 hodín.

Ak tieto inštrukcie nebudú splnené, môže to mať vplyv na motor kompresora a prípadná reklamácia na spotrebič by tak nemusela byť uznaná.

## **Bezpečnostné opatrenia a základné rady**

Ak ste zistili nejaký problém, držte spotrebič mimo prevádzky.

♦ Dvere nenechávajte otvorené viac ako je nevyhnutné na vybratie a vloženie jedla dnu a von.

♦ Neuchovávajte dnu produkty obsahujúce horľavé alebo explozívne plyny.

♦ Nedovoľte deťom hrať sa alebo sa schovávať v jednotke.

♦ Pred akýmkoľvek čistením odpojte spotrebič od siete.

**Ak odpájate, ťahajte za zástrčku, nie za elektrickú šnúru!**

♦ Nešplhajte sa na spotrebič, nevešajte sa na dvere a šuflíky.

♦ Neumiestňujte spotrebič v blízkosti vyhrievaj jednotky, sporáka alebo iných telies produkujúcich teplo.

♦ Za účelom prevencie proti poškodeniu alebo nehody, nepokladajte na spotrebič iné nestabilné objekty obsahujúcich tekutiny alebo horľavé látky (kvetináče, vázy, lampy...).

♦ V spotrebiči nenechávajte jedlo, ak nie je v prevádzke.

♦ Neodporúčame vypínať spotrebič, ak ho neplánujete používať pár dní. Ak spotrebič nebudete používať dlhšie obdobie, postupujte nasledovne:

- odpojte jednotku zo siete;

- vyprázdnite vnútorné priestory, chladničku aj mraziak;
- odmrázte a vyčistite spotrebič;
- nechajte dvere pootvorené aby ste predišli nepríjemnému zápachu.
- ♦ Napájací prívod spotrebiča môže byť odstránený iba autorizovanou osobou.
- ♦ Ak je sieťový kábel poškodený, je potrebné, aby ho vymenil výrobca, servisný agent alebo podobne kvalifikovaná osoba, vyhnite sa tak možnému nebezpečenstvu.

### Inštalácia

- ♦ Tento spotrebič je určený na použitie pri okolitých teplotách až do 25°C a vlhkosti až do 60 %, klimatická trieda 3 (podľa regulácie EÚ 1095-2005), ktorá by sa mala udržiavať relatívne konštantná. Predchádzajte použitie výkladu pri okolitej teplote <math>< 5^{\circ}\text{C}</math>. Umiestnite spotrebič v dostatočnej vzdialenosti od tepelného zdroja. Umiestnenie spotrebiča v teplej miestnosti vystavený priamemu slnečnému žiareniu alebo umiestnenie blízko tepelného zdroja (radiátor, varič, sporák...) má vplyv na rast spotreby energie a znižuje životnosť spotrebiča.
- ♦ Prosíme dodržte nasledujúce minimálne vzdialenosti.
  - 100 cm od sporákov na uhlie a tekuté palivo;
  - 150 cm od elektrických alebo plynových sporákov
- Zabezpečte voľnú cirkuláciu vzduchu okolo spotrebiča, dodržaním vzdialeností uvedených na náčrte (**Položka 2**).
- ♦ Vložte dištančný kolík do zadnej časti chladničky, aby ste vymedzili priestor medzi chladničkou a stenou (**obrázok 3**).
- ♦ Umiestnite spotrebič v suchom a dobre vetranom prostredí, vo vodorovnej polohe, nastavením predných nôh ak je to nevyhnutné (**Položka 4**).
- ♦ Akýkoľvek závesný nábytok bude namontovaný v minimálnej vzdialenosti 10 cm nad spotrebičom. Rovnaká vzdialenosť bude podobne dodržaná v prípade výklenku alebo iného konštrukčného elementu.
- ♦ Spotrebič nie je vyrobený aby bol vstavaný do nábytku.
- ♦ Prosíme zhromažďte príslušenstvo.

### Sieťové pripojenie

- Spotrebič je navrhnutý pre jednofázové napätie 220-240V, 50Hz. Pred zapojením spotrebiča do siete sa uistite, či sú parametre vašej elektrickej sústavy domu (napätie, Hz) v súlade s pracovnými parametrami spotrebiča.
- ♦ Informácie týkajúce sa dodávky napätia a spotrebovanej energie sú uvedené v označenej tabuľke, umiestnenej vo vnútri stránky, ktorú možno vidieť na náčrtku.
  - ♦ Elektrická inštalácia musí byť vykonaná v súlade s normami.
  - ♦ Výrobca nie je zodpovedný za eventuálne problémy, ktoré sa stanú zavinením osôb, zvierat alebo nedodržaním hore uvedených pravidiel.
  - ♦ Spotrebič má napájacie vedenie a zástrčku (Európsky typ, označený 10/16A) s dvojitém zemnením. Zástrčka nie je rovnakého typu ako zásuvka, požiadajte špecialistu aby vykonal zmenu.
  - ♦ Nepoužívajte adaptér.

### Spustenie spotrebiča

- Pred uvedením spotrebiča do prevádzky, vyčistite jeho interiér. (Pozrite „Čistenie a údržba“).
- Potom ako to urobíte, pripojte spotrebič do elektrickej siete. Nastavte termostat na priemernú polohu.
- Pre vnútorné osvetlenie nastavte tlačidlo signalizácie na strednú pozíciu.
- Nechajte spotrebič pracovať. 2 hodiny bez vkladania akýchkoľvek nápojov, či jedla.

## Regulácia teploty

Vnútorná teplota by mala byť nastavená pomocou tlačidla termostatu.

Teploty získané vo vnútri spotrebiča by sa mali pohybovať v závislosti od podmienok použitia: umiestnenie, okolitá teplota, frekvencia otvárania dvier, množstvo jedla. Poloha tlačidla termostatu bude zmenená v závislosti na týchto požiadavkách. Zvyčajne pre vonkajšiu teplotu 25°C, bude tlačidlo termostatu nastavené na strednú polohu. Túto polohu môžete následne nastaviť podľa Vašho želania

Termostat (umiestnený na zadnej strane spotrebiča, pri ventilačnom rošte) taktiež zaručuje automatické rozmrazovanie. Počas rozmrazovacej periódy by mala vnútorná teplota dosiahnuť +12°C, a poklesne do 2-3°C.

Predchádzajte takým polohám tlačidla termostatu, ktorý by mohli spôsobiť permanentný chod spotrebiča.

## Popis spotrebiča (Položka 1)

- 1 - Lamp switch
- 2 - Kryt svetla - vnútorné osvetlenie
- 3 - Rošty
- 4 - Zberač vody
- 5 - Podporný valček dverí
- 6 - Nastaviteľná nožička

## Výmena interiérovej lampy

Odpojte spotrebič, vyberte lampu a namontujte novú lampu.

Lampa(y) použité v tomto prístroji nie sú vhodné pre osvetlenie miestnosti domácnosti. Zamýšľaný účel tohto svietidla je pomôcť užívateľovi umiestniť potraviny do chladničky/mrazničky bezpečne a pohodlne. Žiarovky použité v tomto spotrebiči musí vydržať extrémne fyzické podmienky, napr. teploty pod -20°C.

## Premiestnenie dverí

Vysvetlené v poradí (Položka 7).

## Použitie rozmrazovania

Rozmrazovanie je plne automatické a vykonávané v stanovených periódach. Od vás sa nevyžaduje žiaden zásah. Voda z rozmrazovania sa zberá do nádoby umiestnenej nad kompresorom. Voda sa odtiaľ odparuje vplyvom produkovaného tepla počas prevádzky spotrebiča (**Položka 5**).

### Dôležité!

Kolektory a odtekaciu hadicu udržiavajte čisté aby mala kadiaľ odtekať voda po rozmrazovaní. Aby ste tak urobili, použite dodané odtekacie žliabky. Skontrolujte hadicu, ktorá by mala byť permanentne zastrčená v zbernej nádobe na kompresore za účelom aby voda nevytiekla na elektrické príslušenstvo a podlahu (**Položka 6**).

## Čistenie a údržba

1. Odporúčame vypnúť spotrebič zo zástrčky a odtiahnuť elektrickú šnúru pred čistením.
  2. Nikdy na čistenie nepoužívajte akékoľvek ostré predmety alebo brúsne substancie, mydlo, domáce čistiadlá, detergenty alebo voskové politúry.
  3. Použite teplú vodu na čistenie spotrebiča a vytrite ho do sucha.
  4. Použite sacie plátno a rozmiešajte roztok jednej čajovej lyžičky sódy bikarbóny a pol litra vody. Umyte interiér a vytrite do sucha.
  5. Uistite sa, či do krytu termostatu prípadne lampy nevošla voda.
  6. Odporúčame vyleštiť kovové časti interiéru (napr.: dvere, mriežky...) so silikónovým voskom (leštidlo na karosériu) na ochranu farbených častí.
  7. Skontrolujte tesnenie dverí či je čisté a zbavené odrobiniek z jedla.
  8. Nikdy :
    - Nečistite spotrebič s nevhodnými materiálmi; ako sú petrolejové produkty.
    - Nepodrobujte ho vysokým teplotám,
    - Neleštite, neutierajte atď. s brúsnyimi materiálmi.
- Nikdy nepoužívajte benzínové alebo podobné materiály na čistiace účely.**

9. Vonkajšie časti chladiaceho okruhu čistite (kompresor, kondenzátor, rozvody...) jemnou kefkou alebo vysávačom. Počas tejto činnosti dávajte pozor, aby sne neskrivil rozvody pre chladiace médium alebo neprerušili káble.

10. Keď dokončíte čistenie príslušenstvo na ich miesto a zapojte spotrebič do siete.

### Poradca hľadania chýb

#### Spotrebič nepracuje

- ♦ Nie je prívod energie.
- ♦ Zástrčka nie je dobre zasunutá do zásuvky.
- ♦ Vyhoreli poistky.
- ♦ Termostat je na pozícii stop (O).

#### Spotrebič nechladí

- ♦ Energetický prísun je prerušený už dlhšiu dobu.
- ♦ Čerstvé jedlo bolo uvedené do mrazenia.
- ♦ Spotrebič nebol korektné umiestnený.
- ♦ Spotrebič je príliš blízko tepelného zdroja.
- ♦ Tlačidlo termostatu nie je v správnej pozícii.
- ♦ Okolité teplota je príliš vysoká.

#### Vnútorne osvetlenie nefunguje keď beží kompresor

- ♦ Lampa je vypálená. Odpojte spotrebič, vyberte lampu a nahradte ju novou lampou.
- ♦ Vypínač je v polohe vypnuté alebo pokazený.
- ♦ Vypínač nie je činný.

#### Spotrebič je príliš hlasný

- ♦ Spotrebič nebol vhodne umiestnený.
- ♦ Zadné rozvody média sa dotýkajú predmetu alebo vibrujú.
- ♦ Vo vnútri spotrebiča sa dotýkajú fľaše alebo iné nádoby.

#### Voda vo vnútornej skrinke.


- ♦ Drenážne kanáliky sú zanesené.

Ak budete postupovať podľa vyššie uvedených informácií a nebudete mať úspech pri hľadaní chyby, kontaktujte servis.

#### Varovanie!

Nepokúšajte sa sami opravovať elektrické komponenty prípadne iné príslušenstvo. Akákoľvek oprava vykonaná neskúsenou osobou je nebezpečná pre užívateľa a môže viesť k strate záruky.



Symbol  na výrobku alebo na balení označuje, že s týmto výrobkom sa nesmie manipulovať ako s odpadom z domácnosti. Namiesto toho by ste ho mali odovzdať na príslušnom zbernom mieste, kde sa zabezpečuje recyklácia elektrických a elektronických zariadení. Zabezpečením správnej likvidácie tohto výrobku pomôžete zabrániť potenciálne nebezpečným negatívnym následkom na životné prostredie a zdravie ľudí, ktoré by inak mohla spôsobiť nevhodná likvidácia tohto výrobku. Ak chcete získať podrobnejšie informácie o recyklácii tohto výrobku, obráťte sa na miestny mestský úrad, na spoločnosť, ktorá sa zaoberá likvidáciou odpadu z domácností, alebo na predajňu, v ktorej ste výrobok kúpili.

Blahopřejeme k výběru kvalitního spotřebiče BEKO který je určen pro mnoho let služby.

Prosklené vitríny jsou spotřebiče na chlazení nápojů a uchování čerstvých potravin.

Jsou vybaveny průhlednými dvířky z bezpečnostního skla.

Má nový a atraktivní design a je vyroben podle mezinárodních pravidel, která vám zaručují provozní a bezpečnostní kapacitu.

Pro používání skříňové chladničky v nejlepších podmínkách si prosím pozorně přečtěte návod k používání.

**Tento spotřebič by neměly používat osoby se sníženou fyzickou, senzorickou nebo mentální způsobilostí a nebo s nedostatečnými zkušenostmi a poznatky. Tyto osoby mohou spotřebič používat jen pod dohledem osoby zodpovědné za jejich bezpečnost, a nebo pokud je zodpovědná osoba poučila o správném používání spotřebiče. Děti by měly být pod dozorem, aby si nehrály se spotřebičem.**

**Toto není produkt pro domácnost, jedná se o komerční produkt pro profesionální použití.**

## **Rady pro recyklaci vaší staré chladničky**

Pokud novou skříňovou chladničku pořizujete za starou, měli byste splnit určité věci.

Staré spotřebiče nejsou bezcenný odpad.

Jejich odstranění v souladu s životním prostředím umožňuje izolaci některých důležitých surovin.

Jak můžete zajistit likvidaci starého spotřebiče:

- odpojte jednotku ze sítě.
- oddělte napájecí kabel (odříznutím),
- odstraňte možné zámky na dvířkách, aby se uvnitř nemohly zamknout děti při hře a nedošlo k ohrožení jejich života.

Chladničky a mrazničky obsahují izolační materiály a chladicí činidla, jež vyžadují adekvátní recyklaci.

## **Recyklace obalu**

### **Upozornění!**

Nedovolte dětem, aby si hrály s obaly či jejich částmi. Hrozí riziko udušení kusy složeného kartonu a plastů.

- Spotřebič je chráněn adekvátním obalem tak, aby bylo zaručeno dodání v dobrém stavu. Veškeré obalové materiály jsou v souladu s životním prostředím a lze je recyklovat. Pomozte nám prosím recyklovat obaly v souladu s životním prostředím!

### **Důležité upozornění!**

Pozorně si přečtěte všechny tyto pokyny, než spotřebič spustíte. Tyto pokyny obsahují důležité informace týkající se instalace, používání a údržby spotřebiče.

Výrobce nelze činit zodpovědným, pokud tyto pokyny nejsou náležitě v souladu s příručkou. Uchovejte tuto příručku na bezpečném místě pro případ nutné další konzultace.

Mohla by navíc být užitečná jinému uživateli.

### **Upozornění!**

Tento spotřebič by měl být používán jen pro účel, pro nějž byl vyroben, na adekvátních místech, udržován mimo déšť, vlhkost či jiné atmosférické faktory.

### **Pokyny pro transport**

Spotřebič se smí přenášet jen ve svislé pozici. Obaly musí během transportu zůstat nedotčeny. Než přístroj zapojíte do sítě, nechte jej nejméně 4 hodin stát.

Pokud tyto pokyny nedodržíte, může dojít k závadě motorkompresoru a přístroj může být vyjmut ze záruky.

### **Bezpečnostní opatření a obecné rady**

Pokud jste si povšimli jakékoli závady, nezapínejte spotřebič.

- ♦ Nenechávejte dvířka otevřená přes dobu nezbytně nutnou.
- ♦ Neskladujte uvnitř výrobky obsahující vznětlivé či výbušné plyny.
- ♦ Nedovolte dětem hrát si či schovávat se v spotřebiči.
- ♦ Před jakýmkoli čištěním odpojte přístroj ze sítě.

#### **Při odpojování přístroje ze sítě tahejte za zásuvku, nikoli za kabel!**

- ♦ Nevystupujte na spotřebič, neopírejte se o dvířka, o police.
- ♦ Nepoužívejte přístroj v blízkosti radiátorů, sporáků či jiných zdrojů tepla.
- ♦ Abyste předešli jakékoli možnosti poškození či nehody, nestavte na přístroj (vršek) žádné nestabilní předměty obsahující kapaliny či zdroje ohně (Vázy s květinami, květináče, svíčky, lampy atd.
- ♦ Nenechávejte potraviny v přístroji, pokud není v provozu.



- ♦ Nedoporučuje se spotřebič vypínat, pokud jej nebudete pár dní používat. Pokud jej nepoužíváte delší období, postupujte podle následujících pokynů:
  - odpojte spotřebič ze sítě;
  - vyprázdněte chladničku a mrazničku;
  - odmrazte a vyčistěte spotřebič;
  - nechte dvířka otevřená, aby nedošlo ke vzniku nepříjemných zápachů.
- ♦ Napájecí kabel může vyměňovat jen autorizovaná osoba.
- ♦ V případě poškození napájecího kabelu je nutno jej nechat vyměnit u výrobce, jeho servisního zástupce či podobně kvalifikované osoby, aby se předešlo nebezpečí.

## Instalace

- ♦ Tento spotřebič je určen k použití v teplotách do 25°C a při vlhkosti 60%, klimatická třída 3 (podle nařízení EU 1095-2005), jež by měly být na relativně stálé úrovni. Sestavte spotřebič ve vzdálenosti od jakýchkoli zdrojů tepla. Když umístíte spotřebič do teplé místnosti a vystavíte jej přímo slunečnímu záření nebo jej postavíte v blízkosti zdroje tepla (radiátory, sporáky, trouby), dojde ke zvýšené spotřebě elektrické energie a snížení životnosti spotřebiče.
  - ♦ Dodržujte následující minimální vzdálenosti:
    - 100 cm od kamen na uhlí či petrolej;
    - 150 cm od elektrických a/nebo plynových sporáků
- Zajistěte volnou cirkulaci vzduchu v okolí spotřebiče, dodržujte vzdálenosti v nákresech **(Položky 2)**
  - ♦ Vložte distanční rozpěrky do zadní části chladničky, aby jste vymezili prostor mezi chladničkou a stěnou **(obrázek 3)**.
  - ♦ Umístěte spotřebič na suché a dobře odvětrávané místo, naprosto rovné, v případě nutnosti upravte přední kolečka **(Položka 4)**.
  - ♦ Jakýkoli „zavěšený“ kus nábytku bude montován v minimální vzdálenosti 10 cm nad spotřebičem. Tato vzdálenost bude zajištěna v případě instalace do niky či jiného konstrukčního prvku.
  - ♦ Spotřebič není určen na vestavbu do nábytku.
  - ♦ Smontujte příslušenství.

## Zapojení do sítě

- Váš spotřebič je určen na provoz na jednofázové napětí 220-240 V, 50 Hz. Před zapojením spotřebiče do sítě se ujistěte, že parametry sítě ve vašem domě (napětí, typ proudu a kmitočet) odpovídají provozním parametrům spotřebiče.
- ♦ Informace týkající se napětí sítě a spotřebované energie jsou uvedeny na štítku na vnitřní straně.
  - ♦ Elektrická izolace musí být provedena v souladu s právními požadavky.
  - ♦ Výrobce nezodpovídá za eventuální problémy, které se přihodí osobám, zvířatům či majetku vlivem nedodržení výše uvedených podmínek.
  - ♦ Spotřebič má napájecí kabel a zástrčku (evropský typ, označení 10-16A) s dvojitým uzemněním. Pokud zástrčka není stejného typu jako zásuvka, požádejte specializovaného elektrikáře o výměnu.
  - ♦ Nepoužívejte adaptéry.

## Zapnutí spotřebiče

- Než zapnete spotřebič, vyčistěte jeho vnitřek. (Viz „Čištění a péče“).
- Pak připojte spotřebič do sítě. Nastavte tlačítka termostatu na průměrnou hodnotu. Pro vnitřní osvětlení nastavte tlačítka signálního bloku na střední pozici.
- Nechte přístroj v provozu přibližně 2 hodiny, zatím dovnitř nevkládejte žádné nápoje nebo potraviny.

## Nastavení teploty

Vnitřní teplotu lze nastavit pomocí tlačítek termostatu.

Teplota dosahovaná uvnitř přístroje by mohla kolísat podle podmínek používání: Umístění, teplota prostředí, četnost otevírání dvířek, množství potravin. Pozice tlačítka termostatu se změní v závislosti na těchto podmínkách. Pro teplotu okolí 25°C bude tlačítko termostatu nastaveno na střední pozici. Jejich umístění můžete kdykoliv změnit podle Vašich představ.

Termostat (umístěný na zadní straně spotřebiče, ve ventilační mřížce) také zajišťuje automatické odmrazování chladničky. Během odmrazování může teplota uvnitř chladničky dosáhnout až +12°C, ale klesne až na 2-3°C.

## Popis spotřebiče (Položka 1)

1. Spínač osvětlení
2. Kryt světla - vnitřní osvětlení
3. Rošty
4. Sběrač vody
5. Podpěrný váleček dveří
6. Nastavitelná nožička

## Výměna vnitřní lampy

Odpojte spotřebič ze sítě, vyjměte žárovku a vyměňte ji za novou, znovu smontujte.

Lampa (y) použité v tomto přístroji nejsou vhodné pro osvětlení místnosti domácnosti.

Zamýšlený účel tohoto svítidla je pomoci uživateli umístit potraviny do chladničky / mrazničky bezpečně a pohodlně.

Žárovky použité v tomto spotřebiči musí vydržet extrémní fyzické podmínky, např. teploty pod -20°C.

## Výměna dvířek

Postupujte v číselném pořadí **(Položka 7)**.

## Odmrazování spotřebiče

Odmrazování je plně automatické a probíhá v předem nastavených intervalech. Žádný zásah do tohoto procesu není nutný. Uvolněná voda se hromadí v pánvi umístěné na kompresoru. Voda se tam vypařuje vlivem tepla vznikajícího při jeho provozu **(Položka 5)**.

### Důležité upozornění!

Kolektor a odvodnou hadici udržujte čisté, aby voda mohla odtékat. Používejte proto dodávanou odvodnou část. Kontrolujte hadici, aby byla neustále koncem uvnitř odkapávacího tácu na kompresu s cílem předejít toku vody nad elektrickým zapojením či na podlaze **(Položka 6)**.

## Čištění a péče

1. Doporučujeme vypnout přístroj ze sítě a vyjmout hlavní zásuvku, než přistoupíte k čištění.
2. Nikdy nepoužívejte ostré předměty či brusné látky, mýdlo, domovní čistič, odmašťovač či voskové čisticí prostředky.
3. Používejte vlažnou vodu pro vyčištění skříně a otřete ji pak dosucha.
4. Používejte vlhký hadřík namočený do roztoku jedné čajové lžičky sody bikarbony na půl litru vody na vyčištění vnitřku, pak jej dosucha otřete.
5. Ujistěte se, že do skříně pro kontrolu teploty a skříně pro žárovku nepronikne žádná voda.
6. Doporučujeme vyčistit kovové součásti výrobku (např. vnější část dvířek, posuvné části) silikonovým voskem (autoleštidlem) pro ochranu vysoce kvalitního povrchového nátěru.
7. Pravidelně kontrolujte těsnění dvířek, abyste zajistili jejich čistotu a nezanesení částicemi potravin.
8. Nikdy:
  - Nečištějte spotřebič nevhodnými materiály; tzn. výrobky na bázi petroleje.
  - Jej nevystavujte vysokým teplotám.
  - Nedrhňte, nebruste atd. brusnými materiály.

**Nikdy na čištění nepoužívejte benzín a podobné materiály.**

9. Vyčistěte vnější stranu chladicího okruhu (kompresor, kondenzátor, spojení, hadice) měkkým kartáčem nebo vysavačem. Během této operace prosím nepoškozujte trubice a neodstraňujte kabely.

10. Když dokončíte čišění, vraťte příslušenství na místo a zapojte spotřebič do sítě.

### **Návod na odstraňování potíží**

#### **Přístroj nefunguje**

- ♦ Došlo k výpadku energie.
- ♦ Zástrčka napájecího kabelu není správně zasunutá do zásuvky.
- ♦ Je vypálená pojistka.
- ♦ Termostat je v pozici Stop (O).

#### **Přístroj nechladí**

- ♦ Došlo k přerušení energie na delší dobu.
- ♦ Na zmrazení byly uloženy čerstvé potraviny
- ♦ Přístroj nebyl správně umístěn.
- ♦ Spotřebič je příliš blízko od zdroje tepla.
- ♦ Tlačítko termostatu není ve správné pozici.
- ♦ Okolní teplota je příliš vysoká.

#### **Vnitřní osvětlení nefunguje, když je v chodu kompresor.**

- ♦ Je prasklá žárovka. Odpojte spotřebič ze sítě, vyjměte žárovku a vyměňte ji za novou, znovu smontujte.
- ♦ Spínač je v pozici vypnuto nebo nefunguje.
- ♦ Spínač není aktivován.

#### **Spotřebič je příliš hlučný**

- ♦ Přístroj nebyl správně umístěn.
- ♦ Zadní trubice se dotýkají nebo vibrují.
- ♦ Lahve či jiné nádoby uvnitř se dotýkají.

#### **Uvnitř skříně je voda.**


- ♦ Je ucpaný odvod vody.

Pokud jste postupovali podle výše uvedených pokynů a nepodařilo se vám odhalit závadu, kontaktujte prosím servis.

#### **Upozornění!**

Nikdy se nepokoušejte opravit přístroj či jeho elektrické součástky sami. Jakákoli oprava provedená neškolenou osobou je nebezpečná pro uživatele a může vést k ukončení záruky.



Symbol  na výrobku nebo na obalu upozorňuje na skutečnost, že spotřebič nepatří do běžného domácího odpadu. Místo toho je třeba jej odevzdat do speciální sběrný odpadu na recyklování elektrických a elektronických zařízení. Vaší podporou správné likvidace pomáháte zabránit potenciálně negativním vlivům na životní prostředí a lidské zdraví, které by jinak nesprávná likvidace výrobku mohla způsobit. Další informace a recyklování tohoto spotřebiče získáte na místním úřadě, ve sběrně odpadu nebo u prodejce, kde jste spotřebič zakoupili.

Поздравления за Вашия избор на ВЕКО Качествени Уреди, създадени да Ви служат дълги години.

Този уред е предназначен за изстудяване на храни и напитки.

Уреда се характеризира със стъклена, прозрачна врата и атрактивен дизайн. Произведен е в съответствие на международните изисквания, които Ви гарантират качество и безопасност.

Преди първоначалната употреба на уреда моля прочетете предоставените инструкции за употреба.

**Този уред не е предназначен за употреба от хора с физически, сетивни и умствени проблеми както и от хора без опит и познания, освен ако те не са стриктно инструктирани от компетентно лице относно работата и мерките за безопасност.  
Не оставяйте децата си да играят с уреда без надзор.**

**Това не е битов продукт, това е търговски продукт за професионална употреба.**

## Полезни съвети при изхвърляне на стария уред

При изхвърляне на стария си хладилник трябва да се съобразите с някои условия. Пазете околната среда – изберете подходящ, незамърсяващ околната среда начин на изхвърляне.

Условия при изхвърляне на стария хладилник:

- изключете уреда от хранващата мрежа.
- отрежете хранващия кабел.
- свалете всички ключалки от вратата. По този начин ще предотвратите деца да се заключат вътре.

Хладилниците и фризерите съдържат изолационни и охлаждащи материали които поставят специални изисквания към изхвърлянето на отпадъците.

## Рециклиране на опаковъчните материали

### Внимание !

- Не позволявайте на деца да играят с опаковъчните материали. Картонените и пластмасовите материали могат да бъдат опасни за тях.
- Опаковката трябва да се изхвърли така, че да не навреди на околната среда. Картонените кутии могат да се накъсат на по-малки парчета и да се предадат на вторични суровини. Попитайте местните власти за имената и адресите на най-близките центрове за събиране на вторични суровини и хартиени отпадъци.

### Важно !

Прочетете внимателно и изцяло тези инструкции за употреба преди първоначалната употреба на уреда. Те съдържат важна информация относно инсталирането, употребата и поддръжката на уреда.

Производителят не носи отговорност за повреди причинени от непозването на инструкциите за употреба. Запазете инструкциите за бъдещо ползване.

### Внимание !

Използвайте Вашия хладилник само по предназначение. Спазвайте изискванията за инсталиране – уредът трябва да бъде защитен от дъжд, влага и други атмосферни влияния.

## Инструкции при транспортиране

Хладилникът трябва да се транспортира само във вертикално положение. Опаковката трябва да се запази непокътната по време на транспорта. Ако по време на транспорта Вашия хладилник е бил в хоризонтално положение, не трябва да се включва поне 4 часа, за да се установи системата. Неспазването на инструкциите за експлоатация може да доведе до сериозни повреди на уреда – за което производителя не носи отговорност.

## Мерки за безопасност

Ако се съмнявате за повреди на уреда, не го включайте към хранващата мрежа.

- ◆ Не оставяйте вратата отворена продължително време.
  - ◆ Не съхранявайте в хладилника продукти съдържащи лесно запалими газове.
  - ◆ Не позволявайте деца да играят с уреда или управлението му.
  - ◆ При почистване на уреда е необходимо да го изключите от хранващата мрежа.
- За да изключите уреда от хранващата мрежа, издърпайте щепсела, а не кабела!**
- ◆ Не се опитвайте да седате или да стъпвате върху Вашия хладилник, тъй като не е предназначен за такава употреба. Можете да се нараните или да повредите Вашия уред.
  - ◆ Не използвайте уреда в близост до печки, радиатори и други топлинни източници.
  - ◆ Не поставяйте върху уреда предмети като вази, свещи, лампи и др.
  - ◆ Извадете хранителните продукти от хладилника ако не работи или се съмнявате за повреди.

- ♦ Когато няма да използвате уреда продължително време Ви съветваме да извършите следното:
  - изключете уреда от захранващата мрежа
  - извадете всички храни и напитки
  - размразете и почистете уреда
  - оставете вратата отворена
- ♦ При смяна на захранващия кабел се обърнете към квалифициран техник.
- ♦ При повреда в захранващия кабел, той трябва да бъде подменен от производителя, сервизен представител или друг квалифициран специалист с цел да се избегне всякакъв риск.

## Инсталиране

- ♦ Този уред е предназначен за използване при температура на околната среда до 25°C и влажност %60, Климат клас 3 (съгласно с Регламент на ЕС 1095-2005), които трябва да се поддържат относително постоянни. Монтирайте уреда далеч от всякакви източници на топлина. Не поставяйте уреда близо до печки или радиатори, както и на директна слънчева светлина, защото това предизвиква допълнително натоварване в работата на уреда.
  - ♦ Моля спазвайте следните разстояния:
    - 100 см от печки и радиатори;
    - 150 см от готварски и газови печки
 Убедете се, че е осигурено достатъчно пространство около уреда за свободна циркулация на въздух, като спазвате разстоянията посочени във **фигури 2**.
  - ♦ Поставете ограничителя на задната страна на вашия хладилник, за да оставите дистанция м/у уреда и стената. (**точка 3**)
  - ♦ Инсталирайте уреда в сухо и добре вентилирано помещение и настройте крачетата. (**Фигура 4**).
  - ♦ Инсталирайте на разстояние около 10 см от други уреди и мебели.
  - ♦ Този уред не е предназначен за вграждане в мебели.
 Проверете доставените аксесоари и ги монтирайте.

## Електрическо свързване

- Преди да включите Вашия хладилник към електрическата мрежа, убедете се, че волтажа и честотата на мрежата отговарят на необходимите за работа на Вашия уред - 220-240V, 50Hz.
- ♦ Всякаква техническа информация е посочена на етикета разположен вътре в уреда.
  - ♦ Електрическото свързване на уреда следва да се извърши според законовите изисквания.
  - ♦ Производителят не носи отговорност при повреди и наранявания произтекли от неспазване на тези изисквания.
  - ♦ Този уред се доставя със захранващ кабел и щепсел (European type, маркиран 10/16A), с двойно заземяване. Ако щепсела не съответства с контакта, обарнете се към квалифициран техник за смяна на щепсела.
  - ♦ Не използвайте адаптори.

## Стартиране на уреда

- Преди първоначалната употреба на уреда, моля почистете вътрешността (вижте "Почистване и Поддръжка"). След като почистите уреда, свържете го към захранващата мрежа. Настройте термостата на средна позиция. За вътрешното осветление, настройте на средна позиция. Оставете уреда да работи около 2 часа преди да поставите вътре храните и напитките.

## Настройка на температурата

Работната температура се контролира от термостата и може да се настрои на всяка позиция.

Температурата вътре в хладилника може да се променя в зависимост от условията: разположение, заобикаляща температура, честота на отваряне на вратата, количеството на храните. Позицията на термостата зависи от тези условия. При заобикаляща температура 25°C, термостата трябва да бъде в средна позиция. Тази позиция може да бъде регулирана посредством използването на регулаторите + или – в зависимост от вашето желание.

Термостата (разположен в задната част до решетката за вентилация) осигурява автоматично размразяване на хладилника. По времето на размразяване температурата вътре в хладилника може да достигне до +12°C, или да намалее до -2-3°C.

## Описание на уреда (Фигура 1)

- 1 - Копче за осветлението
- 2 - Осветително тяло - вътрешно осветление
- 3 - Решетки
- 4 - Свързка за водата
- 5 - Ролка
- 6 - Регулируеми крака

## Смяна на лампичката

Изключете уреда от захранващата мрежа, извадете старата крушка за вътрешното осветление и поставте нова.

Лампата(ите) в този уред не са подходящи за осветление в битови помещения.

Предназначението на тази лампа е да помага на потребителя да оставя хранителни продукти в хладилника/фризера по безопасен и удобен начин.

Лампите, използвани в този уред, трябва да издържат на екстремни физически условия като температура под -20°C.

## Промяна на посоката на отваряне на вратата

Действайте по посочения ред на приложената схема (фигура 7).

## Размразяване

Размразяването се извършва автоматично в предваритено зададения период. Водата се събира в тавичката разположена на компресора. В следствие на работата на хладилника водата се изпарява (Фиг. 5).

### **Важно !**

След размразяването почиствайте колектора и маркуча. Проверявайте редовно дали маркуча се намира в единят си край в тавичката за да предотвратите течове на водата.

## Почистване и поддръжка

1. Препоръчваме Ви преди почистването да изключите уреда от ел.мрежата.
2. Никога не използвайте остри инструменти или абразивни вещества, сапун, прах за пране и др. подобни за почистване.
3. Използвайте хладка вода за почистване и подсушавайте щателно.
4. За по-щателно почистване на вътрешността на уреда, използвайте напоена кърпа в разтвор на сода бикарбонат и вода.
5. Не позволявайте вода да попада в отворите.
6. Препоръчваме да полирате металните части на продуктите (като външната част на вратата и стените на уреда) със силиконов восък.
7. Проверявайте периодично уплътненията на вратите, за да сте сигурни, че не са зацапани с хранителни частици.

8. Никога :

- Не почиствайте уреда с неподходящи материали, като продукти на основата на петрол.
- Не излагайте уреда на висока температура.
- Не използвайте абразивни материали за почистване.

**Никога не използвайте газолин за почистване.**

9. Почиствайте компресора редовно с помощта на четка и прахосмукачка.

10. След края на почистването подредете всички аксесоари и включете уреда към хранващата мрежа.

## Разрешаване на проблеми

### Уредът не работи

- ♦ Проверете да не е спряло електричеството.
- ♦ Щепсела не е плътно вкаран в контакта.
- ♦ Проверете бушоните.
- ♦ Термостата е в позиция Stop (O).

### Уредът не охлажда

- ♦ Проверете да не е спряло електричеството.
- ♦ Сложили сте голямо количество хранителни продукти.
- ♦ Уредът не е инсталиран правилно.
- ♦ Уредът е много близо до източници на топлина.
- ♦ Термостата не е в правилната позиция..
- ♦ Забоикалящата температура е прекалено висока.

### Компресора работи, вътрешното осветление не работи

- ♦ Крушката е изгоряла. Изключете уреда и сменете крушката за вътрешното осветление.
- ♦ Превключвателя е в позиция off.
- ♦ Превключвателя не работи.

### Уредът работи прекалено шумно

- ♦ Уредът не е инсталиран правилно.
- ♦ Задните тръби вибрират или имат допир. Има допир между бутилките или другите съдове вътре в уреда.

### Вътре в хладилника има вода


- ♦ Дренажния канал за водата е запушен.

Ако сте проверили всички точки описани по-горе и проблема не е отстранен, свършете се с оторизиран сервизен център.

### **Внимание!**

Не се опитвайте да поправяте уреда сами. Всяка поправка от неквалифицирани лица може да е опасна и нарушава гаранционните условия.



Символът  върху продукта или опаковката означава, че продуктът не бива да се третира като битови отпадъци. Вместо това трябва да се предаде в цъответния център за рециклиране на електрически и електронни уреди. Изхвърляйки този продукт по правилен начин, вие спомагате за предодвратяване на потенциални негативни последици за околната среда и човешкото здраве, които биха били причинени от неправилното изхвърляне на този продукт. За повече информация относно рециклирането на този продукт, моля обърнете се към местните власти, службата за събиране на битови отпадъци или магазина, където сте закупили продукта.



Gratulujemy Państwu wyboru naszego produktu, który z pewnością dobrze będzie Państwu służył przez wiele lat.

Lodówka z witryną przeznaczona jest do chłodzenia napojów i przechowywania świeżego pożywienia. Przezroczyste drzwi zostały wykonane ze sprawdzonego, bezpiecznego szkła.

Jest to nowa i bardzo atrakcyjna konstrukcja, wyprodukowana zgodnie z międzynarodowymi normami, która gwarantuje niezawodną pracę i bezpieczne przechowywanie.

Aby zapewnić twojej lodówce z witryną najlepsze warunki pracy, przeczytaj uważnie tę instrukcję obsługi.

Oryginalne części zamienne będą dostępne przez 10 lat od daty zakupu produktu.

**Używanie urządzenia przez osoby z fizycznymi sensorycznymi lub mentalnymi ograniczeniami powinno odbywać się tylko pod kontrolą osób odpowiedzialnych za ich bezpieczeństwo. Należy dopilnować, aby dzieci nie używały urządzenia do zabawy.**

**To nie jest produkt gospodarstwa domowego, jest to komercyjny produkt do profesjonalnego użytku.**

## Porady jak zutylizować Twoją starą

### **lodówkę**

Jeśli twoja lodówka z oknem ma zastąpić starą powinieneś zastosować się do kilku zaleceń:

Twoja stara lodówka nie jest bezwartościowym odpadem. Usunięcie jej z uwzględnieniem otaczającego nas środowiska pozwoli na odzyskanie niektórych materiałów. Jak zrobić, by stara lodówka jeszcze się do czegoś przydała?

- odłącz urządzenie od sieci elektrycznej
- usuń kabel elektryczny (obetnij go)
- usuń lub zniszcz zatrzaski i zamki. W ten sposób zapobiegiesz możliwości zatrząśnięcia się w środku bawiących się dzieci. Gdyby tak się stało, mogłoby to zagrazać ich życiu.

Lodówki i zamrażarki używają czynnika chłodzącego, co wymaga specjalnych metod recyklingu.

### **Utylizacja opakowania**

#### **UWAGA !**

- Nie pozwalaj bawić się dzieciom opakowaniem ani żadnymi jego elementami. Istnieje ryzyko pokaleczenia się o tekturę i części plastikowe.

- Aby urządzenie przetransportować w dobrym stanie zaprojektowano specjalne opakowanie. Wszystkie elementy, w które opakowano urządzenie nadają się do recyklingu. Bardzo prosimy o pomoc w odzyskiwaniu tych materiałów, po to by nie cierpiało na tym nasze środowisko.

#### **Ważne !**

Prosimy dokładnie zapoznać się z instrukcją obsługi. Zawiera ona bardzo ważne informacje jak używać twojego nowego urządzenia. Jeśli instrukcja nie będzie przestrzegana, możesz stracić prawo do naprawy gwarancyjnej. Prosimy zachowaj tę instrukcję w bezpiecznym miejscu, tak byś zawsze mógł do niej zajrzeć, a gdy będziesz sprzedawał urządzenie przekaż ją następnemu nabywcy.

#### **Uwaga !**

Urządzenie może być używane tylko zgodnie z przeznaczeniem, np. do przechowywania pożywienia. Nie zalecamy używania urządzenia w nieogrzewanych pomieszczeniach takich jak np. garaż, przybudówka, szopa czy na zewnątrz. Patrz "ustawienie urządzenia".

### **Transport urządzenia**

Urządzenie może być transportowane tylko w pozycji pionowej. Opakowanie w czasie transportu powinno pozostać w stanie nienaruszonym. Zanim lodówkę podłączysz do prądu pozostaw ją, na co najmniej 4 godzin w pomieszczeniu, w którym zamierzasz jej używać.

### **Bezpieczeństwo i porady**

Jeśli te warunki nie zostaną spełnione, kompresor może nie zadziałać, a lodówka utraci gwarancję.

- jeśli zauważysz usterkę nie podłączaj urządzenia
- nie zostawiaj otwartych drzwi dłużej niż jest to absolutnie niezbędne
- nie przechowuj w lodówce wybuchowych ani łatwopalnych gazów
- nie pozwalaj dzieciom bawić się lodówką
- każdorazowo, przed czyszczeniem urządzenia odłącz je od sieci

### **Aby odłączyć lodówkę od sieci, ciągnij za wtyczkę a nie za kabel!**

- nie wchodź na lodówkę, nie wieszaj się na drzwiach ani półkach
- nie używaj lodówki obok grzejników, kuchenek ani żadnych innych źródeł ciepła
- z uwagi na niebezpieczeństwo uszkodzeń lub wypadków nie stawiaj na lodówce żadnych chwiejnych przedmiotów z płynami lub przedmiotami łatwopalnymi (np. wazon z kwiatami, doniczki, świece, lampy itp.)
- nie zostawiaj jedzenia w lodówce, gdy urządzenie nie pracuje

- nie zalecamy wyłączenia lodówki, jeśli nie będziesz jej używał przez kilka dni. Jeśli nie będziesz używał jej przez dłuższy okres czasu postępuj następująco:

- odłącz urządzenie od sieci
- opróżnij lodówkę i zamrażalnik
- rozmroź i wyczyść lodówkę
- pozostaw drzwi otwarte, aby zapobiec powstawaniu nieprzyjemnych zapachów
- dołączony przewód może być wymieniony tylko przez autoryzowany serwis
- w razie uszkodzenia przewodu zasilającego, aby uniknąć niebezpieczeństwa, musi go wymienić producent, jego agent serwisowy lub podobnie wykwalifikowany personel.

### Instalacja

- Urządzenie jest przeznaczone do stosowania w temperaturze otoczenia do 25°C i wilgotności do 60%, klasa klimatyczna 3 (zgodnie z rozporządzeniem 1095/2005/WE). Parametry te należy utrzymywać na względnie stałym poziomie. Urządzenie należy montować z dala od źródeł ciepła. Urządzenie należy ustawić z dala od źródeł ciepła. Umieszczenie lodówki w gorącym pomieszczeniu, wystawienie jej na bezpośrednie działanie promieni słonecznych lub ustawienie w pobliżu źródeł ciepła (np. grzejników, kuchenek, piekarników, itp.) może spowodować wzrost zużycia energii i znacząco skrócić żywotność urządzenia.

- Ustawiając lodówkę przestrzegaj minimalnych odległości:

- 100 cm od kuchenek na węgiel lub olej;
- 150 cm od kuchenek elektrycznych i gazowych.

Zapewnij swobodną cyrkulację powietrza wokół urządzenia, zachowując odległości wskazane na rysunku (**Rys. 2**). Zamontuj kołki dystansowe z tyłu lodówki, aby zapewnić minimalny odstęp między urządzeniem a ścianą (**Rys. 3**).

- Ustaw lodówkę w suchym i dobrze wentylowanym pomieszczeniu. W prawidłowym ustawieniu urządzenia pomogą regulowane przednie nóżki (**Rys. 4**).

- Wszelkie wiszące szafki powinny znajdować się minimum 10 cm nad lodówką. Ta sama

- odległość powinna być zachowana między w przypadku ustawienia lodówki we wnęce.
- Urządzenie nie jest przeznaczone do zabudowy.
- Umieść wszystkie akcesoria.

### Podłączenie do sieci elektrycznej

Twoje urządzenie zostało przygotowane do pracy z prądem jednofazowym, o napięciu 220-240V i częstotliwości 50Hz.

Przed podłączeniem urządzenia do prądu, upewnij się, że parametry instalacji elektrycznej (napięcie, typ i częstotliwość) w twoim domu odpowiadają parametrom pracy urządzenia.

- informacje dotyczące parametrów zasilania umieszczone są na tabliczce znamionowej umieszczonej w środku urządzenia. Aby je odczytać należy wysunąć pojemnik na owoce i warzywa.

- Instalacja elektryczna musi odpowiadać regulacjom prawnym.

- Producent nie odpowiada za ewentualne szkody na ludziach, zwierzętach lub przedmiotach, powstałe w wyniku niedopełnienia podanych w tej instrukcji warunków.

- Urządzenie zostało wyposażone w kabel zasilający z wtyczką (typ europejski, o symbolu 10/16A), z podwójnym uziemieniem. Jeśli wtyczka nie pasuje do gniazdka, poproś wykwalifikowanego elektryka o wymianę.

- Nie używaj złącz pośrednich, przedłużaczy ani rozgałęziaczy.

### Uruchamianie urządzenia

Zanim uruchomisz lodówkę, umyj ją w środku (patrz "czyszczenie i konserwacja").

Po wykonaniu tej czynności podłącz lodówkę do prądu. Ustaw termostat w pozycji pośredniej. Aby uruchomić oświetlenie na ustaw przełącznik na panelu sygnalizacyjnym w pozycji środkowej.

Pozostaw pracujące urządzenie na około 2 godziny bez wkładania do środka żadnych napojów ani jedzenia.

## Ustawianie temperatury

Temperatura wewnątrz lodówki może być ustawiana za pomocą głównego regulatora na termostacie. Temperatury wewnątrz lodówki uzależniona jest od wielu czynników zewnętrznych takich jak: usytuowanie, temperatura na zewnątrz, częstotliwość otwierania drzwi, rodzaju umieszczonych wewnątrz produktów. Pozycja regulatora termostatu, będzie się zmieniała w zależności od tych warunków. Generalnie, dla temperatury zewnętrznej 25°C regulator będzie ustawiony na pozycję środkową. Ta pozycja później może być zmieniona na plus lub minus w zależności od potrzeb użytkownika.

Termostat (umieszczony z tyłu urządzenia) również czuwa nad automatycznym rozmrażaniem lodówki. W czasie rozmrażania temperatura wewnątrz lodówki może osiągnąć 12°C, ale zostanie zredukowana do 2-3°C.

## Opis urządzenia

(Rys. 1)

1. Przełącznik światła
2. Lampa - oświetlenie wewnętrzne
3. Półki
4. Pojemnik na ściekającą wodę
5. Ogranicznik do drzwi
6. Regulowane nóżki

## Wymiana żarówki oświetlenia wewnętrznego

Odłącz urządzenie od sieci, wyjmij żarówkę i wymień na nową. Ponownie zamontuj lampę. Lampa (lampy) wykorzystywane w tym urządzeniu nie są przeznaczone do oświetlania pomieszczeń. Lampa ta ma pomagać użytkownikowi wygodnie i bezpiecznie umieszczać pożywienie w lodówce/zamrażarce.

Żarówki używane w urządzeniu muszą wytrzymywać ekstremalne warunki fizyczne, jak np. temperatury poniżej -20°C.

## Zmiana stron otwierania drzwi

Postępuj w kolejności pokazanej na Rys. 7.

## Rozmrażanie lodówki

Rozmrażanie lodówki jest w pełni zautomatyzowane i nie wymaga żadnej interwencji z twojej strony.

Rozmrożona woda ścieka do pojemnika umieszczonego na kompresorze. Następnie woda odparowuje z uwagi na ciepło wydobywające się z pracującego kompresora (Rys. 5.).

### Ważne!

Utrzymuj w czystości kanaliki odpływowe, aby woda w czasie rozmrażania miała swobodny odpływ. Sprawdź czy rurka odpływowa jest szczelnie połączona z pojemnikiem na kompresorze. Zapobiegnie to ściekaniu wody ponad przewodami elektrycznymi na podłogę (Rys. 6.).

## Czyszczenie i konserwacja

1. Zalecamy, aby przed czyszczeniem odłączyć urządzenie wyciągając wtyczkę z gniazdka, lub wyłączyć bezpiecznik.
2. Do czyszczenia lodówki nigdy nie używaj ostrych narzędzi, substancji ścierających, mydła, detergentów ani wosków.
3. Do mycia z zewnątrz, użyj ciepłej wody a następnie wytrzyj do sucha.
4. Wnętrze lodówki przetrzyj wilgotną i wyciśniętą ściereczką. Użyj wody z dodatkiem sody oczyszczonej (łyżeczka sody na ok. pół litra wody). Następnie wytrzyj lodówkę do sucha.
5. Uważaj, aby woda nie dostała się do urządzenia sterującego temperaturą ani do lampki.
6. Aby zabezpieczyć lakier na częściach metalowych lodówki (np. zewnętrzne elementy drzwi, prowadnice) zalecamy czyszczenie ich pastą silikonową.

7. Regularnie sprawdzaj uszczelkę na drzwiach. Powinna być zawsze czysta.

8. Nigdy:

- Nie czyść lodówki nieodpowiednimi środkami, np. ropą lub środkami ropopochodnymi.
- W żaden sposób nie narażaj urządzenia na wysoką temperaturę.
- Nie szoruj, nie trzyj lodówki materiałami ściernymi.

**Nigdy do czyszczenia nie używaj benzyny ani żadnych materiałów pochodnych.**

9. Zewnętrzne części układu chłodzenia (kompresor, kondensator, połączenia, rurki) należy czyścić miękkim pędzelkiem lub odkurzaczem. Podczas tych czynności należy zwracać uwagę, aby nie powykrzywiać rurek, ani nie powyrywać przewodów.

10. Gdy skończysz czyszczenie powkładaj akcesoria na swoje miejsce i podłącz lodówkę do prądu.

### Możliwe usterki

#### Urządzenie nie działa

- Odłączone jest zasilanie.
- Wtyczka przewodu zasilającego jest niedokładnie włożona do gniazdka.
- Wyłączyły się bezpieczniki.
- Termostat jest w pozycji Stop (0).

#### Urządzenie nie chłodzi

- Zasilanie było odłączone na dłuższy czas.
- Świeże produkty wprowadzono do zamrożenia.
- Lodówka nie została dobrze ustawiona.
- Urządzenie stoi zbyt blisko źródła ciepła.
- Termostat jest źle ustawiony.
- Temperatura na zewnątrz jest zbyt wysoka.

#### Oświetlenie wewnątrz nie działa, gdy pracuje kompresor

- Żarówka jest przepalona. Odłącz urządzenie od prądu, wyjmij lampę i wymień żarówkę. Następnie zamontuj lampę i podłącz urządzenie do prądu.
- Światło jest wyłączone. Sprawdź czy przełącznik jest we właściwym położeniu.

#### Urządzenie działa zbyt głośno

- Urządzenie zostało niewłaściwie ustawione.
- Rurki na tylnej ścianie dotykają się lub drgają.
- Hałasują źle rozmieszczone butelki lub inne naczynia wewnątrz urządzenia.

#### Pojawiła się woda wewnątrz lodówki

- Zapchany jest kanał odpływowy.
- Jeśli postępowalesz zgodnie z niniejszą instrukcją i nie udało się zlikwidować usterki skontaktuj się z autoryzowanym serwisem.

#### **Uwaga!**

Nigdy nie próbuj samodzielnie naprawiać urządzenia ani jego elektrycznych elementów. Wszelkie tego typu naprawy przez osoby niewykwalifikowane mogą być niebezpieczne dla użytkowników i prowadzą do utraty gwarancji.



To urządzenie jest oznaczone zgodnie z Dyrektywą Europejską 2002/96/WE oraz polską Ustawą o zużytych sprzęcie elektrycznym i elektronicznym symbolem przekreślonego kontenera na odpady.

Takie oznakowanie informuje, że sprzęt ten, po okresie jego użytkowania nie może być umieszczany łącznie z innymi odpadami pochodzącymi z gospodarstwa domowego.

Użytkownik jest zobowiązany do oddania go prowadzącym zbieranie zużytego sprzętu elektrycznego i elektronicznego. Prowadzący zbieranie, w tym lokalne punkty zbiórki, sklepy oraz gminne jednostki, tworzą odpowiedni system umożliwiający oddanie tego sprzętu.

Właściwe postępowanie ze zużytym sprzętem elektrycznym i elektronicznym przyczynia się do uniknięcia szkodliwych dla zdrowia ludzi i środowiska naturalnego konsekwencji, wynikających z obecności składników niebezpiecznych oraz niewłaściwego składowania i przetwarzania takiego sprzętu.

Ви честитаме на изботот на квалитетниот производ направен да Ви служи многу ВЕКО години.

Фрижидерите со стаклена врата се наменети за разладување на пијалоци и за чување на свежа храна.

Имаат врата која е направена од многу цврсто стакло.

Има нов и привлечен дизајн и е произведен според интернационални правила, што ви ја гарантира работата со уредот и безбедноста.

За да го користите фрижидерот во најдобри услови ве молиме прочитајте го внимателно ова упатство за употреба.

Оригиналните резервни делови ќе ги добивате 10 години по датумот кога е набавен производот.

**Овој уред не е наменет за употреба од страна на лица со намалени физички, сензорни или ментални способности или со недостаток на искуство и знаење, освен кога се надгледувани или им се дадени инструкции за користењето на уредот од страна на лице кое е одговорно за нив. Децата треба да се надгледувани за да не играат со уредот.**

**Ова не е производ за домаќинството, ова е комерцијален производ за професионална употреба.**

## Совет за рециклирање на стариот фрижидер

Доколку со новиот фрижидер со стаклена врата заменувате ист таков тип на фрижидер треба да следите одредени постапки.

Со рециклирањето на фрижидерот може да се добие материјал за понатамошна употреба.

Што треба да сторите вие:

- исклучете го уредот од струја,
- исечете го кабелот за струја,
- отстранете ги сите заклучувања на вратата, со тоа ќе спречите заклучување на деца внатре.

Фрижидерите и замрзнувачите содржат инсулирачки материјали и разладувачки агенси кои бараат соодветно рециклирање.

## Рециклирање на амбалажата

### Внимание !

- Не дозволувајте деца да си играат со амбалажата. Постои ризик од задушување со некои делови од амбалажата, пластика, картон и т.н.

- Со цел да е испорачан во исправна состојба, фрижидерот е опремен со соодветна амбалажа. Сите материјали се во согласност со еколошките стандарди. Ве молиме да придонесете за правилно рециклирање на материјалите !

### Важно !

Прочитајте го внимателно ова упатство за употреба пред да го вклучите уредот. Ова упатство содржи битни информации за инсталација и одржување на уредот. Производителот не е одговорен за проблеми кои настануваат доколку не се придржувате до правилата назначени во ова упатство. Зачувајте го ова упатство на безбедно место.

### Внимание !

Овој уред треба да се користи само за намената за која е направен, во соодветни простории, да не се изложува на дожд, влага и други атмосферски фактори.

## Инструкции за транспорт

Уредот мора да се транспортира само во исправена положба. Амбалажата мора да е добро поставена при транспортот. Пред да го вклучите во струја, дозволете да отстои најмалку 4 часа.

Доколку не се придржувате на упатствата може да дојде до расипување на моторниот компресор и да ви биде одземено правото на гаранција.

## Безбедноста на прво место

Доколку забележите неправилности ве молиме да не го вклучувате уредот.

- ♦ Ве молиме да не ја оставате вратата долго време отворена.
- ♦ Не складирајте запалливи материји.
- ♦ Не дозволувајте деца да играат со уредот.
- ♦ Пред било какво чистење исклучете го уредот од струја.

**За да го исклучите уредот повлечете го гумениот дел наменет за тоа, не кабелот.**

- ♦ не се качувајте на уредот, не се потпирајте на вратата.
- ♦ Не го користете уредот близу извори на топлина.
- ♦ За да избегнете можни оштетувања не поставувајте предмети над уредот.
- ♦ Не оставајте храна во уредот доколку тој не работи.

- ♦ Не е препорачливо да го исклучувате уредот доколку не работите со него неколку дена. Доколку не го користите подолг период следете ги упатствата:
  - исклучете го уредот од струја;
  - испразнете го уредот;
  - одмрзнете и исчистете го уредот;
  - оставете ја вратата отворена за да не се создаде непријатна миризба.
- ♦ Кабелот може да се замени само од страна на квалификувани лица.
- ♦ Ако кабелот за напојување е оштетен, иститот мора да го сменат производителот, овластен сервисер или слични квалификувани лица за да се избегне ризик.

### Инсталација

- ♦ Овој уред е наменет за употреба при амбиентални температури до 25°C и влажност %60, класа на клима 3 (во согласност со Reg EU 1095-2005), и истите треба да бидат релативно постојани. Монтирајте го уредот подалеку од извори на топлина. Поставете го уредот подалеку од извори на топлина. Доколку уредот е поставен во топла соба, близу до извори на топлина (печка, машина за садови и сл.) доаѓа до зголемена потрошувачка на електрична енергија.
- ♦ Ве молиме придржувајте се до следниве мерки:
  - 100 cm од печки кои работат на јаглен или гориво;
  - 150 cm од електрични печки.
- Обезбедете слободна циркулација на воздухот околу уредот, според мерките на сликата **(Слика 2)**.
- Ставете го задниот капак за вентилација на задниот дел на фрижидерот за да обезбедите растојание од сидот. **(Слика 3)**.
- ♦ Ставете го уредот на суво и добро проветрено место, рамен под, подесете ги ногарките доколкуе потребно **(Слика 4)**.
- ♦ Кујнските елементи треба да се најмалку 10 cm над уредот. Истото растојание треба да се обезбеди и за полица над уредот.
- ♦ Уредот не е направен за вградување во мебел.
- ♦ Ве молиме поврзете ги додатоците.

### Поврзување со струја

- Вашиот уред работи на волтажа од 220-240V, 50Hz. Пред поврзување со струја, осигурајте се параметрите на вашата куќа (волтажа, фреквенција) да се соодветни со параметрите на уредот.
- ♦ Информациите кои се однесуваат на абсорбираната сила се дадени на табелата која се наоѓа во внатрешниот дел на уредот.
  - ♦ Електричните поврзувања мора да се направени од квалификувано лице.
  - ♦ Производителот не е одговорен за можни проблеми предизвикани од луѓе, животни, поради непочитување на горенаведените правила.
  - ♦ Уредот има кабел (Европски тип, означен со 10/16A), со двојно заземјување. Доколку кабелот не е ист со штекерот ве молиме побарајте да го заменат.
  - ♦ Не користете адаптори.

### Вклучување на уредот

Пред да го вклучите уредот исчистете ја внатрешноста. (Погледнете „Чистење и грижа“)

Откако ќе го сторите тоа, приклучете го уредот. Поставете ги копчињата на термостатот на средна позиција. Копчето на светилката исто така поставете го на средна позиција .

Уредот нека работи 2 часа без да ставите внатре храна или пијалоци.



## Контрола и подесување на температурата

Внатрешната температура може да се подесува со употреба на копчето на термостатот.

Температурата внатре во апаратот може да осцилира во зависност од условите на употреба: локација, температурата на околината, зачестеноста на отварањето на вратата од фрижидерот како и од квалитетот на храната. Позицијата на термостатот треба да се менува во зависност од овие услови. За надворешна температура од 25 степени копчето треба да е на средна положба.

Термостатот кој се наоѓа на задната страна на фрижидерот обезбедува автоматско одмрзнување на уредот. За време на периодот на одмрзнување температурите може да достигнат +12°C, и да паднат до 2-3°C.

## Опис на уредот (Слика 1)

- 1 - Прекинувач на светилката
- 2 - Кутија на светилката
- 3 - Огради
- 4 - Колектор на вода
- 5 - Потпора на вратата
- 6 - Ногарки кои се подесуваат

## Менување на внатрешната светилка

Исклучете го уредот од струја, извадете ја светилката и ставете нова.

Сијалицата што се користи во овој уред не служи за осветлување на соби во домот. Намената на сијалицата е да му помогне на корисникот да ја стави храната во фрижидерот безбедно и удобно.

Сијалиците што се користат во овој производ треба да ги издржуваат екстремните физички услови, како што се температурите под -20° C.

## Менување на правецот на отварање на вратата

Следете го нумеричкиот редослед (Слика 7).

## Одмрзнување

Одмрзнувањето е целосно автоматско и е однапред подесено на периоди. Не е потребна интервенција од ваша страна. Истопената вода тече во колекторот на вода. Водата таму испарува поради температурата (Слика 5).

### Важно !

Чувајте ги чисти колекторот и цревето за дренажа. Постојано проверувајте дали цревето е во колекторот на вода за да се спречи истекување. (Слика 6).

## Чистење и грижа

1. Пред чистењето препорачуваме да го исклучите уредот од струја.
  2. Никогаш не користете абразивни средства за чистење како што се детергенти, сапуни и т.н.
  3. Користете топла вода за чистење на уредот и темелно избришете го.
  4. Намокрете крпа во вода со сода бикарбона и исчистете го уредот.
  5. Доколку уредот не го користите подолго време исклучете го од струја, извадете ги сите работи и исчистете го.
  6. Препорачуваме металните делови да ги чистите со силиконски восок (восок за полирање автомобили) за заштита на бојата.
  7. Прашината која се собира на задниот дел на уредот треба да се чисти еднаш годишно со правосмукалка.
  9. Проверувајте ги запечатувањата на вратата. Треба да се чисти.
- Никогаш не користете бензин или други слични супстанции.**

10. Никогаш:
- Не го чистете уредот со несоодветен материјал, пр. петролеум.
  - Не го подложувајте на високи температури.
  - Не го чистете со абразивен материјал.

10. Кога ќе завршите со чистењето вратете ги додатците на место.

## Проблеми

### Уредот не работи

- ♦ Има прекин на електричната енергија.
- ♦ Кабелот не е добро ставен во штекерот.
- ♦ Осигурувач е прегорен.
- ♦ Термостатот е на позиција Стоп (O).

### Уредот не лади

- ♦ Има прекин на електричната енергија подолг период.
- ♦ Свежа храна е ставена за замрзнување.
- ♦ Уредот не е правилно поставен.
- ♦ Уредот е преблизу до извори на топлина.
- ♦ Копчето на термостатот не е на правилна позиција.
- ♦ Надворешната температура е многу висока .

### Внатрешното светло не работи кога компресорот работи

Светилката е прегорена. Исклучете го уредот од струја, извадете ја светилката и ставете нова.

- ♦ Прекинувачот е исклучен..

### Уредот е премногу бучен

- ♦ Уредот не е добро инсталиран.
- ♦ Задните цевки се допираат и вибрираат..  
Има контакт помеѓу шишињата.

### Има вода на внатрешните сидови


- ♦ Цреворотот за дренажа е затнато.

Доколку сте ги следеле горенаведените упатства и сепак постои проблем контактирајте го нашиот сервис.

### Внимание!

Никогаш не се обидувајте сами да ги поправата електричните проблеми. Со тоа може да дојде до повреди и губење на правото за гаранција.



Симболот  на производот или на пакувањето индицира дека производот не треба да се третира како домашен отпад. Треба да се предаде на соодветно место каде што се рециклира електронска и електрична опрема. Со тоа што ќе се осигурате дека производот е отстранет правилно, ќе помогнете во превентирањето на потенцијалните негативни последици врз околината и човековото здравје, кои се предизвикани од неправилно отстранување на производот. За подетални информации во врска со рециклирањето на овој производ, ве молиме контактирајте ги локалните власти, овластени сервисери или продавницата каде што сте го купиле производот.

Palju õnne aruka valiku puhul, BEKO kvaliteetseade teenib teid kindlasti palju aastaid.

Klaasuksega külmkapid on mõeldud jookide jahutamiseks ja värsket toidu säilitamiseks.

Külmkappidel on läbipaistev turvaklaasist uks.

Külmkappidel on uus ja atraktiivne kujundus ning neid toodetakse kooskõlas rahvusvaheliste eeskirjadega, mis tagavad toimivuse ja ohutuse.

Klaasuksega külmkapi hea seisukorra kindlustamiseks lugege see kasutusjuhend hoolikalt läbi.

Originaalvaruosad on saadaval 10 aasta jooksul seadme valmistamisest.

**Seade ei ole mõeldud kasutamiseks füüsilise, meelevõi vaimupuudega või nappide kogemuste ja teadmistega inimestele, välja arvatud juhul, kui nad kasutavad seda oma ohutuse eest vastutava isiku järelevalve all või on saanud vastavad juhised.**

**Lastel tuleb silma peal hoida, et nad ei saaks seadmega mängida.**

**See ei ole leibkonna toote, see on kaubanduslik toode professionaalseks kasutamiseks.**

## **Nõuanded vana külmiku utiliseerimiseks**

Kui soetasite uue külmkapi vana asemele, tuleb järgida teatud nõudeid.

Vanad seadmed on väärtuslikud jäätmed.

Nende kõrvaldamine kooskõlas keskkonnanõuetega võimaldab säästa olulisi tooraineid.

Vana seadme kõrvaldamiseks

- lahutage seade vooluvõrgust;
- eemaldage toitejuhe (lõigake see ära);
- eemaldage ükselt lukud, kui need seal on, et lapsed ei saaks ennast mängu käigus seadmesse lukustada ja oma elu ohtu seada. Külmikud ja sügavkülmikud sisaldavad isolatsioonimaterjale ja külmaaineid, mis tuleb asjakohaselt kõrvaldada.

## **Pakendi utiliseerimine**

### **Hoiatus!**

- Ärge lubage lastel pakendi ega selle osadega mängida. Lainepapist ja kilest detailid võivad põhjustada lämbumist.
- Et seade jõuaks teieni tervena, kaitseb seda vastav pakend. Kõik pakendimaterjalid on kooskõlas keskkonnanõuetega ja neid saab ringlusse võtta. Palun aidake meil pakend keskkonnasäästlikult taaskasutusele suunata!

### **NB!**

Lugege see juhend enne seadme kasutuselevõttu hoolikalt ja täielikult läbi. See juhend sisaldab olulist teavet seadme paigaldamise, kasutamise ja hoolduse kohta. Tootja ei vastuta juhendi eiramise korral. Hoidke juhendit kindlas kohas, et seda saaks vajadusel uuesti lugeda. Samuti võib juhend olla vajalik teistele kasutajatele.

### **Hoiatus!**

Seda seadet tohib kasutada üksnes ettenähtud otstarbel, sobivates ruumides, kaitstuna vihma, niiskuse ja muude ilmastikumõjude eest.

## **Transpordieeskirjad**

Seadet võib transportida ainult püstasendis. Pakend peab jääma transpordi ajaks terveks. Enne seadme ühendamist toitevõrku laske sellel vähemalt 4 tundi seista.

Nende juhiste eiramisel võib tekkida mootorkompressoris tõrge ja seadme garantii kehtetuks muutuda.

## **Ohutusabinõud ja üldised nõuanded**

Mis tahes puuduste märkamisel ärge seadet kasutusele võtke.

- ♦ Ärge jätke uksi lahti kauemaks, kui on vajalik toidu sissepanemiseks või väljavõtmiseks.
- ♦ Ärge hoidke seadmes tooteid, mis sisaldavad tule- või plahvatusohtlikke gaase.
- ♦ Ärge laske lastel seadme sees mängida ega end seadmesse peita.
- ♦ Enne puhastamist lahutage seade toitevõrgust.

### **Seadme pistiku väljatõmbamisel seinakontaktist hoidke kinni pistikust, mitte juhtmest!**

- ♦ Ärge ronige seadme peale ega toetuge selle uksele või riulitele.
- ♦ Ärge kasutage seadet küttekehade, küpsetusmasinate ega muude kuumaallikate läheduses.
- ♦ Kahjustuste ja õnnetuste ohu vältimiseks ärge asetage seadme peale ebastabiilseid esemeid, mis sisaldavad vedelikke või tuleohtlikke aineid (lillevaasid, lillepotid, küünlad, lambid jne).
- ♦ Ärge jätke toitu mittetöötavasse seadmesse.

♦ Seadet ei ole soovitatav välja lülitada, kui te ei kavatse seda kasutada mõne päeva. Kui te ei kavatse seadet pikemat aega kasutada, toimige järgmiselt:

- eemaldage seade vooluvõrgust;
- tühjendage külmiku ja sügavkülmiku osa;
- sulatage ja puhastage seade;
- jätke ukсед lahti, et vältida ebameeldiva lõhna teket.

♦ Toitejuhet võib vahetada ainult volitatud isik.

♦ Ohtude vältimiseks peab defektse toitejuhtme välja vahetama tootja, volitatud teenindus või samaväärse kvalifikatsiooniga isik.

### Paigaldamine

♦ Seade on ette nähtud kasutamiseks ümbritseva keskkonna temperatuuril kuni 25°C ja õhuniiskusel 60%, kliimaklass 3 (vastavalt määrusele (EL) 1095-2005), kasutustingimused peavad olema suhteliselt püsivad. Paigaldage seade kütteallikatest eemale. Seadme paigaldamine sooja ruumi, otsese päikesevalguse kätte või kuumusallikate (küttekehad, pliigid, ahjud) lähedusse võib suurendada energiakulu ja lühendada seadme eluiga.

♦ Palun järgige järgmisi minimaalse vahekauguse nõudeid:

- söe- või õliküttega pliidi puhul 100 cm;
- elektri- või gaaspliidi puhul 150 cm.

Õhk peab saama seadme ümber vabalt liikuda; selleks pidage kinni joonistel näidatud vahekaugustest (**joonised 2**).

♦ Külmkapi ja seina õige vahemaa seadmiseks paigaldage külmkapi taha õhutuskate (**joonis 3**).

♦ Paigaldage seade kuiva ja hea õhutusega kohta, täiesti tasasele aluspinnale, reguleerides selleks vajadusel eesmisi jalgu (**joonis 4**).

♦ Seadme kohal olev mööbel peab jääma seadmest vähemalt 10 cm kõrgusele. Sama vahekaugus kehtib ka nišši või muusse konstruktsioonelementi paigaldamisel.

♦ Seade ei ole mõeldud paigaldamiseks mööblisse.

♦ Pange kokku tarvikud.

### Toiteühendus

Teie seade on mõeldud tööks ühefaasilise pingega 220–240 V / 50Hz. Enne seadme ühendamist toitevõrku kontrollige, kas teie hoone toitevõrgu näitajad (pinge, voolu liik ja sagedus) vastavad seadme tööparameetritele.

♦ Toitepinge ja võimsuse andmed on tüübisildil, mis asub seadme sees küljel ja mis on nähtav pärast köögiviljasahtli väljatõmbamist.

♦ Elektrisüsteem peab vastama õigusaktides kehtestatud nõuetele.

♦ Tootja ei vastuta võimalike kahjude ega vigastuste eest, mis tekivad inimestel, loomadelt või varal eespool nimetatud tingimuste eiramise tõttu.

♦ Seadmel on toitejuhe ja pistik (Euroopa tüüpi, tähis 10/16A) turvalise kahekordse maanduskontaktiga. Kui pistikupesa on teist tüüpi kui pistik, laske pädeval elektrikul see välja vahetada.

♦ Ärge kasutage adaptereid.

### Seadme käivitamine

Enne seadme käivitamist puhastage selle sisemus. (Vt jaotist "Puhastamine ja hooldus").

Seejärel ühendage seade vooluvõrku. Reguleerige termostaadinupud keskmisse asendisse.

Sisevalgustuse sisselülitamiseks viige märgutulede paneelil olev nupp keskmisse asendisse.

Laske seadmel umbes kaks tundi töötada, enne kui asetate sellesse jooke või toitu.

## Temperatuuri reguleerimine

Sisetemperatuuri saab reguleerida termostaadinupuga.

Seadme sisetemperatuur võib kõikuda olenevalt kasutustingimustest: asukoht, ümbritseva keskkonna temperatuur, uste avamise sagedus, seadmes oleva toidu kogus. Termostaadinupu asend muutub vastavalt nendele tingimustele. Kui ümbritseva keskkonna temperatuur on 25°C, jääb termostaadinupp üldjuhul keskmisse asendisse.. Seda asendit saab hiljem kasutaja soovi kohaselt plussi või miinuse suunas reguleerida

Termostaat (asub seadme tagaküljel, ventilaatorivõre sees) kindlustab ka külmiku automaatse sulatamise. Sulatamise ajal võib külmutuskapi sisetemperatuur tõusta +12 °C- ni, kuid see langeb taas 2-3 °C-le. Vältige termostaadinupu asendeid, mille puhul seade töötab lakkamatult.

## Seadme kirjeldus (Joonis 1)

- 1 - Valgusti lüliti
- 2 - Sisevalgustuse valgustisõlm
- 3 - Restid
- 4 - Veekogumisanum
- 5 - Ukse tugirullik
- 6 - Reguleeritav jalg

## Sisevalgusti lambi vahetamine

Lahutage seade toitevõrgust, võtke lamp välja, asendage see uuega ja monteerige. Lamp/lambid, mida selles seades kasutatakse, ei sobi kodumajapidamise siseruumide valgustamiseks. Selle lambi sihtotstarbeks, on aidata kasutajal paigutada toiduaineid külmikusse/sügavkülmikusse ohutult ja mugavalt.

Las lámparas utilizadas en este electrodoméstico deben soportar unas condiciones físicas extremas como temperaturas inferiores a -20° C.

## Ukse avanemissuuna muutmine

Järgige juhiseid numbrite järjekorras (Joonis 7).

## Seadme sulatamine

Sulatamine toimub automaatselt eelseadistatud intervallide järel. Teiepoolne sekkumine pole vajalik.

Sulatamise käigus tekkiv vesi koguneb kompressoril olevasse kogumisvanni. Vesi aurustub seadme töö käigus tekkiva kuumuse mõjul (joonis 5).

### **NB!**

Hoidke kogur ja äravooluvoolik sulatusvee jaoks puhtana. Selleks kasutage kaasas olevat kaabitsat. Vooliku ots peab asetsema kindlalt kogumisvannis kompressori peal, et vesi ei voolaks elektrisüsteemi või põrandale (joonis 6).

## Puhastamine ja hooldus

1. Enne puhastamist soovime lülitada seadme välja ja eemaldada pistiku seinakontaktist.
  2. Ärge kasutage puhastamiseks teravaid instrumente, abrasiivseid puhastusvahendeid, seepi, puhastuskemikaali, detergenti või vaha.
  3. Puhastage seadme korpust leige veega ning pärast kuivatage see.
  4. Kasutage külmiku sisemuse puhastamiseks lappi, mida on niisutatud lahuses teelusikatäis söögisoodat poole liitri vee kohta, seejärel pühkige kuivaks.
  5. Vältige vee sattumist temperatuuriregulaatorisse ja lambisõlme.
  6. Soovime toote metalloosi (nt ukse välispinda, korpuse külgi) poleerida silikoonvahaga (autopoleerimisvahendiga), mis kaitseb kvaliteetset värvkatet.
  7. Kontrollige regulaarselt uksetihendeid, veendumaks et need on puhtad ja toiduosakestest vabad.
  8. Ärge mitte kunagi:
    - puhastage seadet sobimatu ainega, nt naftapõhiste toodetega;
    - hoidke seadet kõrge temperatuuri käes;
    - küürige ega hõõruge seadet abrasiivsete vahenditega.
- Ärge kunagi kasutage puhastamiseks bensiini või muid sarnaseid aineid.**

9. Puhastage külmutusahela (kompressor, kondensaator, ühendused, voolikud) välispindu pehme harja või tolmuimejaga. Seejuures vältige voolikute painutamist ja kaablite lahtitulemist.
10. Pärast puhastamist pange tarvikud oma kohale tagasi ja ühendage seade toitevõrku.

### Probleemide kõrvaldamine

#### Seade ei tööta

- ♦ Tekkinud on toitekatkestus.
- ♦ Toitejuhtme pistik pole korralikult seinakontaktis.
- ♦ Kaitse on läbi põlenud.
- ♦ Termostaat on väljalülitatud asendis (O).

#### Seade ei jahuta

- ♦ Tekkinud on pikaajaline toitekatkestus.
- ♦ Sügavkülmikusse pandi värsket toitu.
- ♦ Seade on valesti paigaldatud.
- ♦ Seade paikneb soojusallikale liiga lähedal.
- ♦ Termostaadi nupp ei ole õiges asendis.
- ♦ Keskkonnatemperatuur on liiga kõrge.

#### Sisevalgustus ei tööta, kui kompressor töötab

- ♦ Lamp on läbi põlenud. Lahutage seade toitevõrgust, võtke lamp välja, asendage see uuega ja monteerige.
- ♦ Lüliti on väljalülitatud asendis või rikkis.
- ♦ Lüliti pole aktiveeritud.

#### Seade teeb liiga suurt müra

- ♦ Seade on valesti paigaldatud.
- ♦ Tagumised torud puutuvad kokku või vibreerivad.  
Sisemuses olevad pudelid või muud anumad puutuvad omavahel kokku.

#### Kapi sisemuses on vesi.


- ♦ Vee äravoolukanal on ummistunud.

Kui te ei suutnud tõrget eespool kirjeldatud juhiste järgi kõrvaldada, pöörduge teenindusse.

#### Hoiatus!

Ärge kunagi üritage seadet või selle elektriosi ise remontida. Oskamatu remont seab kasutaja ohtu ja võib muuta garantii kehtetuks.



Sümbol  tootel või pakendil näitab, et toodet ei või käidelda olmejäätmena. See tuleb toimetada vastavasse kogumispunkti, mis tegeleb elektri- ja elektroonikaseadmete ringlussevõtuga. Tagades toote nõuetekohase kasutuselt kõrvaldamise, aitate ära hoida võimalikke negatiivseid tagajärgi keskkonnale ja inimeste tervisele, mida võib põhjustada kõnealuse toote ebapiisav jäätmekäitlus. Täpsema teabe saamiseks toote ringlussevõtu kohta pöörduge kohaliku omavalitsuse, olmejäätmeid käitleva ettevõtte või toote müünud kaupluse poole.











4577244300/AJ  
EN,HU,SK,CZ,BG,PL,MK,EST

[www.beko.com](http://www.beko.com)