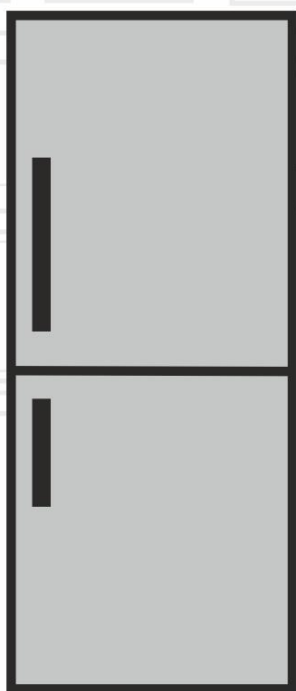


Refrigerator - Freezer
Réfrigérateur - Congélateur
Kühl - Gefrier
Hűtőszekrény - Fagyasztó

Instruction of use
Notice d'utilisation
Gebrauchsanweisung
Használati útmutató



RCNA365E32DZX

EN|FR|D|HU

beko

Please read this user manual first!

Dear Customer,

We hope that your product, which has been produced in modern plants and checked under the most meticulous quality control procedures, will provide you an effective service.

Therefore, read this entire user manual carefully before using the product and keep it as a reference. If you handover the product to someone else, give the user manual as well.

The user manual will help you use the product in a fast and safe way.


- Read the manual before installing and operating the product.
- Make sure you read the safety instructions.
- Keep the manual in an easily accessible place as you may need it later.
- Read the other documents given with the product.


Remember that this user manual is also applicable for several other models. Differences between models will be identified in the manual.

Explanation of symbols

Throughout this user manual the following symbols are used:

 Important information or useful tips.

 Warning against dangerous conditions for life and property.

 Warning against electric voltage.



WARNING!

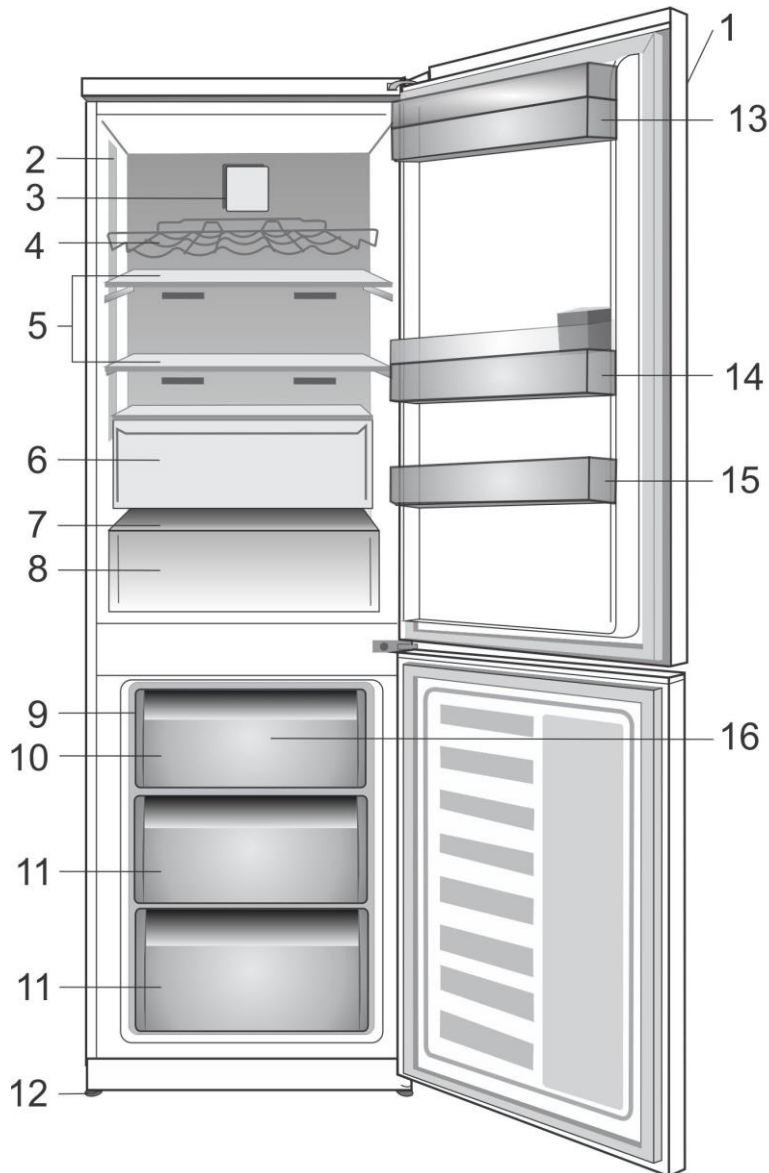
In order to ensure a normal operation of your refrigerating appliance, which uses a completely environmentally friendly refrigerant the R600a (flammable only under certain conditions) you must observe the following rules:

- Do not hinder the free circulation of the air around the appliance.
- Do not use mechanical devices in order to accelerate the defrosting, others than the ones recommended by the manufacturer.
- Do not destroy the refrigerating circuit.
- Do not use electric appliances inside the food keeping compartment, other than those that might have been recommended by the manufacturer.

CONTENTS

1 Your refrigerator	3	4 Preparation	10
2 Important Safety Warnings	4	5 Using your refrigerator	11
Intended use.....	4	Indicator Panel.....	11
General safety.....	4	Dual cooling system:.....	13
For products with a water dispenser.....	6	Using the water dispenser.....	14
Child safety.....	6	Compartment for keeping	
Compliance with the WEEE Regulation		perishable food	16
and Disposing of the Waste Product.....	6	Moisture controlled vegetable bin	16
Package information.....	7	Freezing fresh food.....	16
HCA warning.....	7	Deep-freeze information.....	17
Things to be done for energy saving.....	7	Recommendations for the fresh food	
3 Installation	8	compartment.....	17
Points to be paid attention to when the		Recommendations for preservation	
relocation of the refrigerator.....	8	of frozen food.....	17
Before you start the refrigerator,.....	8	Defrosting.....	18
Electrical connection.....	8	Placing the food.....	18
Disposing of the packaging.....	9	6 Maintenance and cleaning	19
Disposing of your old refrigerator.....	9	Protection of plastic surfaces	19
Placing and Installation.....	9	7 Troubleshooting	20
Changing the illumination lamp	9		
Changing the door opening direction... ..	9		
Adjusting the legs.....	9		

1 Your refrigerator



- | | |
|-----------------------------------|---|
| 1. Control panel | 10. Compartment for quickly freezing |
| 2. Interior light | 11. Compartments for frozen foods keeping |
| 3. Fresh Food fan | 12. Adjustable front feet |
| 4. Wine bottles support | 13. Dairy Compartment |
| 5. Adjustable Cabinet shelves | 14. Water dispenser reservoir |
| 6. Zero degree compartment | 15. Shelf |
| 7. Controlled vegetable bin cover | 16. Freezer fan |
| 8. Controlled vegetable bin | |
| 9. Ice tray support & ice tray | |

i Figures that take place in this instruction manual are schematic and may not correspond exactly with your product. If the subject parts are not included in the product you have purchased, then it is valid for other models.

2 Important Safety Warnings

Please review the following information. Failure to observe this information may cause injuries or material damage.

Otherwise, all warranty and reliability commitments will become invalid.

Original Spare parts will be provided for 10 years, following the product purchasing date.

Intended use

This product is intended to be used

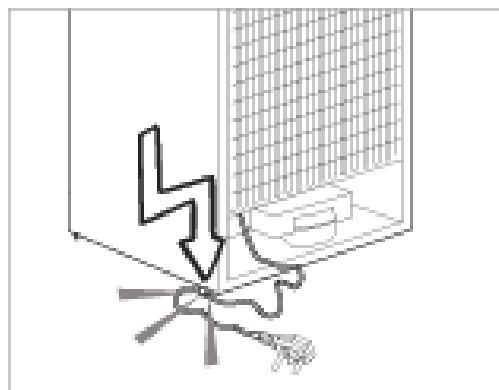
- indoors and in closed areas such as homes;
- in closed working environments such as stores and offices;
- in closed accommodation areas such as farm houses, hotels, pensions.
- It should not be used outdoors.

General safety

- When you want to dispose/scrap the product, we recommend you to consult the authorized service in order to learn the required information and authorized bodies.
- Consult your authorized service for all your questions and problems related to the refrigerator. Do not intervene or let someone intervene to the refrigerator without notifying the authorised services.
- For products with a freezer compartment; Do not eat cone ice cream and ice cubes immediately after you take them out of the freezer compartment! (This may cause frostbite in your mouth.)
- For products with a freezer compartment; Do not put bottled and canned liquid beverages in the freezer compartment. Otherwise, these may burst.
- Do not touch frozen food by hand; they may stick to your hand.
- Unplug your refrigerator before cleaning or defrosting.
- Vapor and vaporized cleaning materials should never be used in cleaning and defrosting processes of your refrigerator. In such cases, the vapor may get in contact with the electrical parts and cause short circuit or electric shock.
- Never use the parts on your refrigerator such as the door as a means of support or step.
- Do not use electrical devices inside the refrigerator.
- Do not damage the parts, where the refrigerant is circulating, with drilling or cutting tools. The refrigerant that might blow out when the gas channels of the evaporator, pipe extensions or surface coatings are punctured causes skin irritations and eye injuries.
- Do not cover or block the ventilation holes on your refrigerator with any material.
- Electrical devices must be repaired by only authorised persons. Repairs performed by incompetent persons create a risk for the user.

- In case of any failure or during a maintenance or repair work, disconnect your refrigerator's mains supply by either turning off the relevant fuse or unplugging your appliance.
- Do not pull by the cable when pulling off the plug.
- Place the beverage with higher proofs tightly closed and vertically.
- Never store spray cans containing flammable and explosive substances in the refrigerator.
- Do not use mechanical devices or other means to accelerate the defrosting process, other than those recommended by the manufacturer.
- This product is not intended to be used by persons with physical, sensory or mental disorders or unlearned or inexperienced people (including children) unless they are attended by a person who will be responsible for their safety or who will instruct them accordingly for use of the product.
- Do not operate a damaged refrigerator. Consult with the service agent if you have any concerns.
- Electrical safety of your refrigerator shall be guaranteed only if the earth system in your house complies with standards.
- Exposing the product to rain, snow, sun and wind is dangerous with respect to electrical safety.
- Contact authorized service when there is a power cable damage to avoid danger.
- Never plug the refrigerator into the wall outlet during installation. Otherwise, risk of death or serious injury may arise.

- This refrigerator is intended for only storing food items. It must not be used for any other purpose.
- Label of technical specifications is located on the left wall inside the refrigerator.
- Never connect your refrigerator to electricity-saving systems; they may damage the refrigerator.
- If there is a blue light on the refrigerator, do not look at the blue light with optical tools.
- For manually controlled refrigerators, wait for at least 5 minutes to start the refrigerator after power failure.
- This operation manual should be handed in to the new owner of the product when it is given to others.
- Avoid causing damage on power cable when transporting the refrigerator. Bending cable may cause fire. Never place heavy objects on power cable.
- Do not touch the plug with wet hands when plugging the product.



- Do not plug the refrigerator if the wall outlet is loose.
- Water should not be sprayed on inner or outer parts of the product for safety purposes.

- Do not spray substances containing inflammable gases such as propane gas near the refrigerator to avoid fire and explosion risk.
- Never place containers filled with water on top of the refrigerator; in the event of spillages, this may cause electric shock or fire.
- Do not overload the refrigerator with food. If overloaded, the food items may fall down and hurt you and damage refrigerator when you open the door.
- Never place objects on top of the refrigerator; otherwise, these objects may fall down when you open or close the refrigerator's door.
- As they require a precise temperature, vaccines, heat-sensitive medicine and scientific materials and etc. should not be kept in the refrigerator.
- If not to be used for a long time, refrigerator should be unplugged. A possible problem in power cable may cause fire.
- The plug's tip should be cleaned regularly with a dry cloth; otherwise, it may cause fire.
- Refrigerator may move if adjustable legs are not properly secured on the floor. Properly securing adjustable legs on the floor can prevent the refrigerator to move.
- When carrying the refrigerator, do not hold it from door handle. Otherwise, it may be snapped.
- When you have to place your product next to another refrigerator or freezer, the distance between devices should be at least 8cm. Otherwise, adjacent side walls may be humidified.

For products with a water dispenser;

Pressure of water mains should be minimum 1 bar. Pressure of water mains should be maximum 8 bars.


- Use only potable water.

Child safety

- If the door has a lock, the key should be kept away from reach of children.
- Children must be supervised to prevent them from tampering with the product.

Compliance with the WEEE Regulation and Disposing of the Waste Product



The symbol  on the product or on packaging indicates that this product may not be treated as household waste. Instead it shall be handed over to the applicable collection point for the recycling of electrical and electronic equipment. By ensuring this product is disposed of correctly, you will help prevent potential negative consequences for the environment and human health, which could otherwise be caused by inappropriate waste handling of this product. For more detailed information about recycling of this product, please contact your local city office, your household waste disposal service or the shop where you purchased the product.

Package information

Packaging materials of the product are manufactured from recyclable materials in accordance with our National Environment Regulations. Do not dispose of the packaging materials together with the domestic or other wastes. Take them to the packaging material collection points designated by the local authorities.

Do not forget...

Any recycled substance is an indispensable matter for nature and our national asset wealth.

If you want to contribute to the reevaluation of the packaging materials, you can consult to your environmentalist organizations or the municipalities where you are located.

HCA warning

If your product's cooling system contains R600a:

This gas is flammable. Therefore, pay attention to not damaging the cooling system and piping during usage and transportation. In the event of damage, keep your product away from potential fire sources that can cause the product catch a fire and ventilate the room in which the unit is placed.

Type of gas used in the product is stated in the type label which is on the left wall inside the refrigerator.

Never throw the product in fire for disposal.

Things to be done for energy Saving

- Do not leave the doors of your refrigerator open for a long time.
- Do not put hot food or drinks in your refrigerator.
- Do not overload your refrigerator so that the air circulation inside of it is not prevented.
- Do not install your refrigerator under direct sunlight or near heat emitting appliances such as ovens, dishwashers or radiators. Keep your refrigerator at least 30cm away from heat emitting sources and at least 5cm from electrical ovens.
- Pay attention to keep your food in closed containers.
- For products with a freezer compartment; You can store maximum amount of food items in the freezer when you remove the shelf or drawer of the freezer. Energy consumption value stated for your refrigerator has been determined by removing freezer shelf or drawer and under maximum load. There is no harm to use a shelf or drawer according to the shapes and size of food to be frozen.
- Thawing frozen food in fridge compartment will both provide energy saving and preserve the food quality.

3 Installation

⚠ In case the information which are given in the user manual are not taken into account, manufacturer will not assume any liability for this.

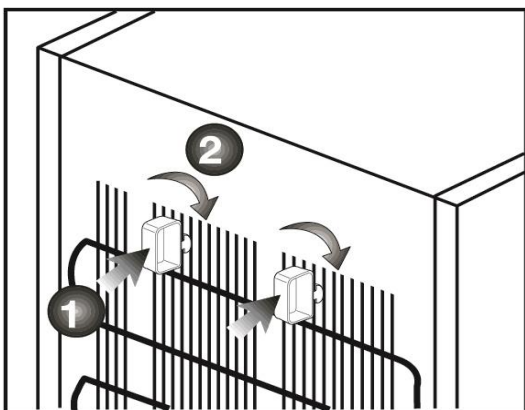
Points to be paid attention to when the relocation of the refrigerator

1. Your refrigerator should be unplugged. Before transportation of your refrigerator, it should be emptied and cleaned.
2. Before it is re-packaged, shelves, accessories, crisper, etc. inside your refrigerator should be fixed with adhesive tape and secured against impacts. Package should be bound with a thick tape or sound ropes and the transportation rules on the package should be strictly observed.
3. Original packaging and foam materials should be kept for future transportations or moving.

Before you start the refrigerator,

Check the following before you start to use your refrigerator:

1. Attach 2 plastic wedges as illustrated below. Plastic wedges are intended to keep the distance which will ensure the air circulation between your refrigerator and the wall. (The picture is drawn up as a representation and it is not identical with your product.)



2. Clean the interior of the refrigerator as recommended in the “Maintenance and cleaning” section.
3. Connect the plug of the refrigerator to the wall socket. When the fridge door is opened, fridge internal lamp will turn on.
4. When the compressor starts to operate, a sound will be heard. The liquid and gases sealed within the refrigeration system may also give rise to noise, even if the compressor is not running and this is quite normal.
5. Front edges of the refrigerator may feel warm. This is normal. These areas are designed to be warm to avoid condensation.

Electrical connection

Connect your product to a grounded socket which is being protected by a fuse with the appropriate capacity.

Important:

The connection must be in compliance with national regulations.

- The power plug must be easily accessible after installation.
- Electrical safety of your refrigerator shall be guaranteed only if the earth system in your house complies with standards.
- The voltage stated on the label located at left inner side of your product should be equal to your network voltage.
- **Extension cables and multi plugs must not be used for connection.**

⚠ A damaged power cable must be replaced by a qualified electrician.

⚠ Product must not be operated before it is repaired! There is the risk of electric shock!

Disposing of the packaging

The packing materials may be dangerous for children. Keep the packing materials out of the reach of children or dispose of them by classifying them in accordance with the waste instructions stated by your local authorities. Do not throw away with regular house waste, throw away on packaging pick up spots designated by the local authorities.

The packing of your refrigerator is produced from recyclable materials.

Disposing of your old Refrigerator

Dispose of your old refrigerator without giving any harm to the environment.

- You may consult your authorized dealer or waste collection center of your municipality about the disposal of your refrigerator.

Before disposing of your refrigerator, cut out the electric plug and, if there are any locks on the door, make them inoperable in order to protect children against any danger.

Placing and Installation

⚠ If the entrance door of the room where the refrigerator will be installed is not wide enough for the refrigerator to pass through, then call the authorized service to have them remove the doors of your refrigerator and pass it sideways through the door.

1. Install your refrigerator to a place that allows ease of use.
2. Keep your refrigerator away from heat sources, humid places and direct sunlight.
3. There must be appropriate air ventilation around your refrigerator in order to achieve an efficient operation. If the refrigerator is to be

placed in a recess in the wall, there must be at least 5 cm distance with the ceiling and at least 5 cm with the wall. Do not place your product on the materials such as rug or carpet.

4. Place your refrigerator on an even floor surface to prevent jolts.

Changing the illumination Lamp

To change the Bulb/LED used for illumination of your refrigerator, call your Authorized Service.

The lamp(s) used in this appliance is not suitable for household room illumination. The intended purpose of this lamp is to assist the user to place foodstuffs in the refrigerator/freezer in a safe and comfortable way.

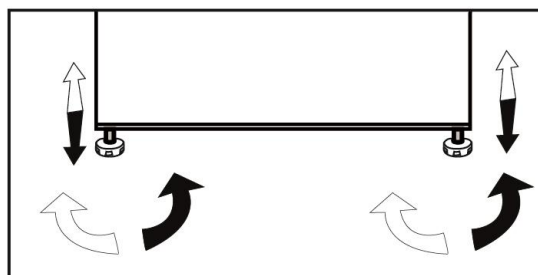
The lamps used in this appliance have to withstand extreme physical conditions such as temperatures below -20°C .

Changing the door opening Direction

Door opening direction of your refrigerator can be changed according to the place you are using it. If this is necessary, please call your nearest Authorized Service.

Adjusting the legs

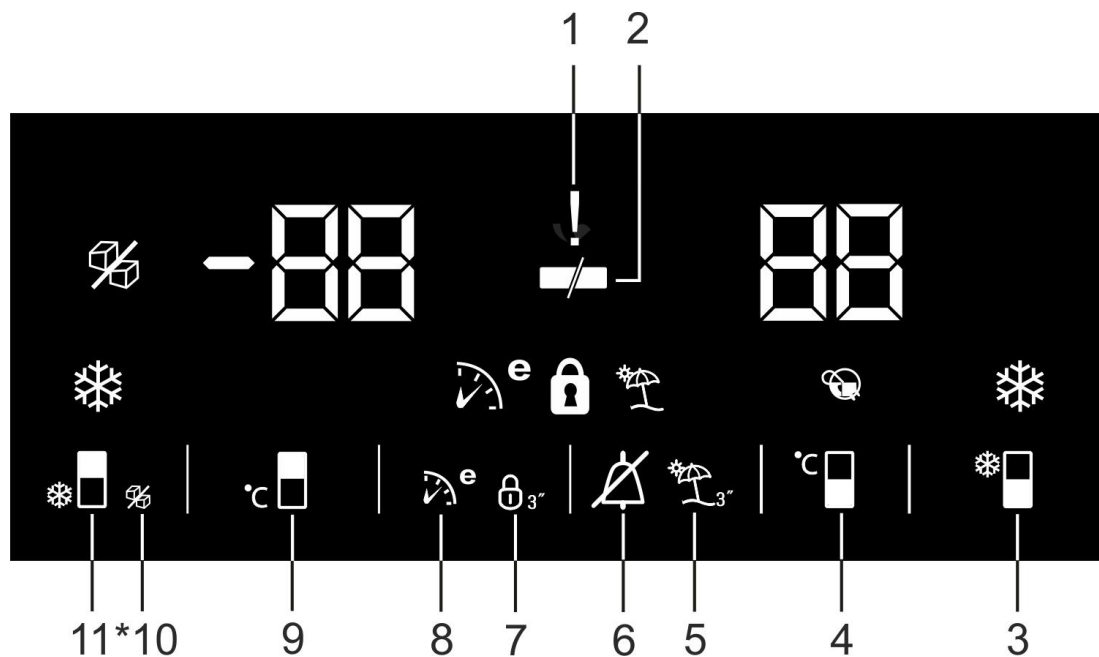
If your refrigerator is unbalanced; You can balance your refrigerator by turning its front legs as illustrated in the figure. The corner where the leg exists is lowered when you turn in the direction of black arrow and raised when you turn in the opposite direction. Taking help from someone to slightly lift the refrigerator will facilitate this process.



4 Preparation

- Your refrigerator should be installed at least 30 cm away from heat sources such as hobs, ovens, central heater and stoves and at least 5 cm away from electrical ovens and should not be located under direct sunlight.
- The ambient temperature of the room where you install your refrigerator should at least be 10°C. Operating your refrigerator under cooler conditions is not recommended with regard to its efficiency.
- Please make sure that the interior of your refrigerator is cleaned thoroughly.
- If two refrigerators are to be installed side by side, there should be at least 2 cm distance between them.
- When you operate your refrigerator for the first time, please observe the following instructions during the initial six hours.
- The door should not be opened frequently.
- It must be operated empty without any food in it.
- Do not unplug your refrigerator. If a power failure occurs out of your control, please see the warnings in the “Recommended solutions for the problems” section.
- Original packaging and foam materials should be kept for future transportations or moving.

5 Using your refrigerator



Indicator Panel

Indicator panel allows you to set the temperature and control the other functions related to the product without opening the door of the product. Just press the inscriptions on relevant buttons for function settings.

1. Power failure/High temperature / error warning indicator

This indicator (!) illuminates during power failure, high temperature failures and error warnings.

During sustained power failures, the highest temperature that the freezer compartment reaches will flash on the digital display. After checking the food located in the freezer compartment (🔪) press the alarm off button to clear the warning.

Please refer to "remedies advised for troubleshooting" section on your manual if you observe that this indicator is illuminated.

2. Energy saving function (display off):


If the product doors are kept closed for a long time energy saving function is automatically activated after 1 minute and energy saving symbol is illuminated. (🔌)


When energy saving function is activated, all symbols on the display other than energy saving symbol will turn off. When the Energy Saving function is activated, if any button is pressed or the door is opened, energy saving function will be canceled and the symbols on display will return to normal.


Energy saving function is activated during delivery from factory and cannot be canceled.


i *Optional: The figures in this user guide are intended as drafts and may not perfectly match your product. If your product does not comprise the relevant parts, the information pertains to other models.

3. Quick fridge function

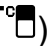
Press this button to activate or deactivate the quick cool function ()

 Use quick cooling function when you want to quickly cool the food placed in the fridge compartment. If you want to cool large amounts of fresh food, activate this function before putting the food into the product.



 If you do not cancel it, quick cooling will cancel itself automatically after 1 hours or when the fridge compartment reaches to the required temperature.

 This function is not recalled when power restores after a power failure.

4. Fridge compartment temperature setting button

Press this button to set the temperature of the fridge compartment to 8, 7,6, 5,4,3, 2,1, 8... respectively. Press this button to set the fridge compartment temperature to the desired value. ()


5. Vacation Function

In order to activate vacation function, press the this button () for 3 seconds, and the vacation mode indicator () will be activated.

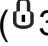
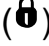
When the vacation function is activated, “- -” is displayed on the fridge compartment temperature indicator and no active cooling is performed on the fridge compartment. It is not suitable to keep the food in the fridge compartment when this function is activated. Other compartments shall be continued to be cooled as per their set temperature.

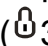
To cancel this function press **Vacation function** button again.

6. Alarm off warning:


In case of power failure/high temperature alarm, after checking the food located in the freezer compartment press the alarm off button () to clear the warning.

7. Key lock

Press key lock button () simultaneously for 3 seconds. Key lock symbol () will light up and key lock mode will be activated. Buttons will not function if the Key lock mode is active. Press key lock button simultaneously for 3 seconds again. Key lock symbol will turn off and the key lock mode will be exited.


Press the **key lock** button if you want to prevent changing of the temperature setting of the refrigerator ().

8. Eco fuzzy

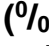
Press and hold eco fuzzy button one times to activate eco fuzzy function. Refrigerator will start operating in the most economic mode at least 6 hours later and the economic usage indicator will turn on when the function is active (). Press and hold eco fuzzy function button for 3 seconds to deactivate eco fuzzy function.


This indicator is illuminated after 6 hours when eco fuzzy is activated.

9. Freezer compartment temperature setting button

Press this button to set the temperature of the freezer compartment to -18,-19,-20,-21, -22, -23,-24, -18... respectively. Press this button to set the freezer compartment temperature to the desired value. ()

10. Icematic off indicator (only on products with icematic machine)

Indicates whether the icematic is on or off. () If On, then the icematic is not operating. To operate the icematic again press and hold the On-Off button for 3 seconds.

 Water flow from water tank will stop when this function is selected. However, ice made previously can be taken from the icematic.

11. Quick freeze function button/ icematic on-off button

Press this button to activate or deactivate the quick freezing function. When you activate the function, the freezer compartment will be cooled to a temperature lower than the set value.



i To turn on and off the icematic press and hold it for 3 seconds (only on products with icematic machine). Use the quick freeze function when you want to quickly freeze the food placed in fridge compartment. If you want to freeze large amounts of fresh food, activate this function before putting the food into the product.

i If you do not cancel it, Quick Freeze will cancel itself automatically after 25 hours or when the fridge compartment reaches to the required temperature.

i This function is not recalled when power restores after a power failure.

Dual cooling system:

Your refrigerator is equipped with two separate cooling systems to cool the fresh food compartment and freezer compartment. Thus, air in the fresh food compartment and freezer compartment do not get mixed.

Thanks to these two separate cooling systems, cooling speed is much higher than other refrigerators. Odors in the compartments do not get mixed. Also additional power saving is provided since the defrosting is performed individually.

Using the water dispenser

*optional

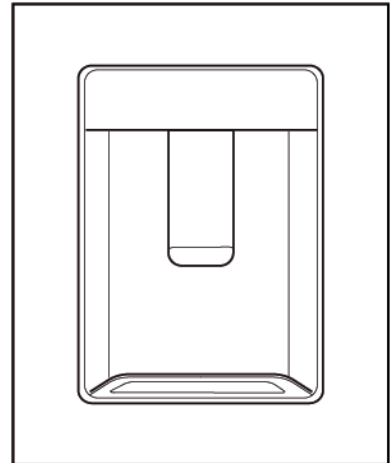
i It is normal for the first few glasses of water taken from the dispenser to be warm.

i If the water dispenser is not used for a long period of time, dispose of first few glasses of water to obtain fresh water.

1. Push in the lever of the water dispenser with your glass. If you are using a soft plastic cup, pushing the lever with your hand will be easier.
2. After filling the cup up to the level you want, release the lever.

i Please note, how much water flows from the dispenser depends on how far you depress the lever. As the level of water in your cup / glass rises, gently reduce the amount of pressure on the lever to avoid overflow.

If you slightly press the arm, the water will drip; this is quite normal and not a failure.



Filling the water dispenser's tank

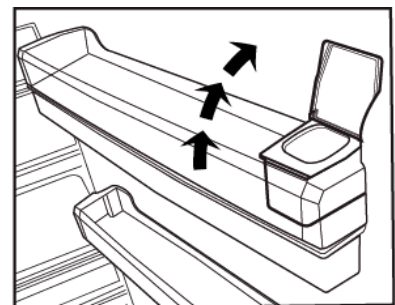
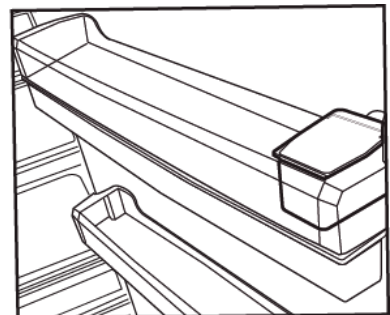
Water tank filling reservoir is located inside the door rack.

1. Open the cover of the tank.
2. Fill the tank with fresh drinking water.
3. Close the cover.

i Do not fill the water tank with any other liquid except for water such as fruit juices, carbonated beverages or alcoholic drinks which are not suitable to use in the water dispenser. Water dispenser will be irreparably damaged if these kinds of liquids are used. Warranty does not cover such usages.

Some chemical substances and additives contained in these kinds of drinks/liquids may damage the water tank.

i Use clean drinking water only.

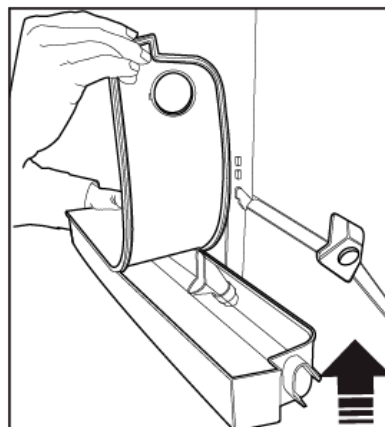
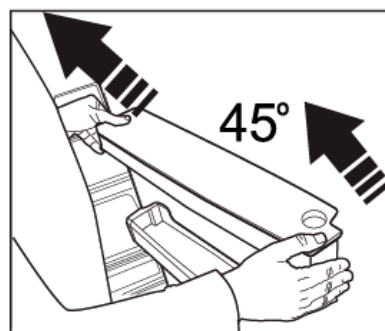
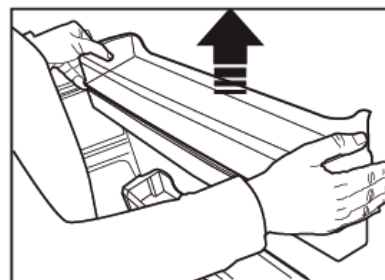
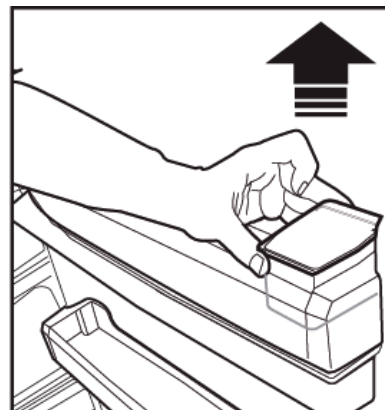


i Capacity of the water tank is 3 liters; do not overfill.

Cleaning the water tank

1. Remove the water filling reservoir inside the door rack.
2. Remove the door rack by holding from both sides.
3. Grab the water tank from both sides and remove it with an angle of 45°C.
4. Remove the cover of the water tank and clean the tank.

i Components of the water tank and water dispenser should not be washed in dishwasher.

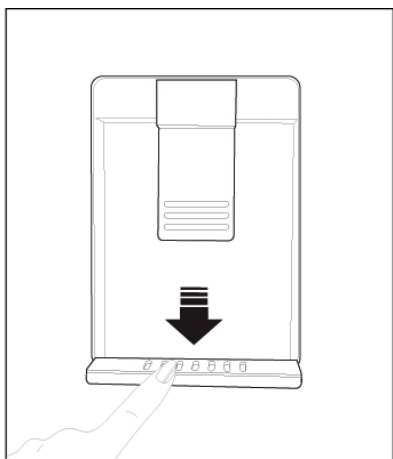


Drip tray

Water that dripped while using the water dispenser accumulates in the spillage tray.

Remove the plastic filter as shown in the figure.

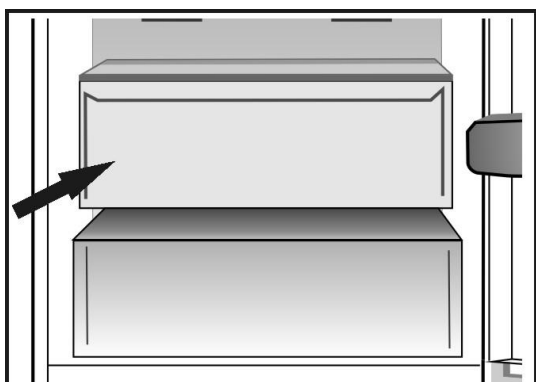
With a clean and dry cloth, remove the water that has accumulated.



Compartment for keeping perishable food (low temperature -2°C - $+3^{\circ}\text{C}$).

This compartment was designed to store frozen food, which can be defrosted slowly (meat, fish, chicken, etc) as needed. Low temperature compartment is the coldest place in refrigerator where dairy products (cheese, butter), meat fish or chicken can be kept in ideal conditions storage.

Vegetables and/or fruits should not be placed in this compartment.



Moisture controlled vegetable bin

*optional

With moisture control feature, moisture rates of vegetables and fruits are kept under control and ensures a longer freshness period for foods.

It is recommended to store leafed vegetables such as lettuce and spinach and similar vegetables prone to moisture loss not on their roots but in horizontal position into the vegetable bin as much as possible.

When placing the vegetables, place heavy and hard vegetables at the bottom and light and soft ones on the top, taking into account the specific weights of vegetables.

Do not leave vegetables in the vegetable bin in plastic bags. Leaving them in plastic bags causes vegetables to rot in a short time. In situations where contact with other vegetables is not preferred, use packaging materials such as paper that has a certain porosity in terms of hygiene.

Do not put fruits that have a high ethylene gas production such as pear, apricot, peach and particularly apple in the same vegetable bin with other vegetables and fruits. The ethylene gas coming out of these fruits might cause other vegetables and fruits to mature faster and rot in a shorter period of time.

Freezing fresh food

- Wrap or cover the food before placing them in the refrigerator.
- Hot food must cool down to the room temperature before putting them in the refrigerator.
- The foodstuff that you want to freeze must be fresh and in good quality.
- Foodstuff must be divided into portions according to the family's daily or meal based consumption needs.
- Foodstuff must be packaged in an airtight manner to prevent them from drying even if they are going to be kept for a short time.
- Materials to be used for packagings must be resistant to cold and humidity and they must be airtight. The packaging material of the food must be at a sufficient thickness and durability. Otherwise the food hardened due to freezing may puncture the packaging. It is important for the packaging to be closed securely for safe storage of the food.
- Frozen food must be used immediately after they are thawed and they should never be re-frozen.

- Placing warm food into the freezer compartment causes the cooling system to operate continuously until the food is frozen solid.
- Please observe the following instructions to obtain the best results.
 1. Do not freeze too large quantities of food at one time. The quality of the food is best preserved when it is frozen right through to the core as quickly as possible.
 2. Take special care not to mix already frozen food and fresh food.
 3. Make sure raw foods are not in contact with cooked foods in the fridge.
 4. Maximum frozen food storage volume is achieved without using the drawers provided in the freezer compartment. Energy consumption of your appliance is declared while the freezer compartment is fully loaded on shelves without the use of the drawers.
 5. It is recommended that you place foodstuffs on top shelf of freezer for initial freezing.

Deep-freeze information

Food must be frozen as rapidly as possible when they are put in the freezer in order to keep them in good quality.

The TSE norm requires (according to certain measurement conditions) the refrigerator to freeze at least 4.5 kg of foodstuff at 32°C ambient temperature to -18°C or lower within 24 hours for every 100-liters of freezer volume.

It is possible to preserve the food for a long time only at -18°C or lower temperatures.

You can keep the freshness of food for many months (at -18°C or lower temperatures in the deep freeze).

WARNING! ⚠

- Foodstuff must be divided into portions according to the family's daily or meal based consumption needs.

- Foodstuff must be packaged in an airtight manner to prevent them from drying even if they are going to be kept for a short time.

Materials necessary for packaging:

- Cold resistant adhesive tape
- Self-adhesive label
- Rubber rings
- Pen

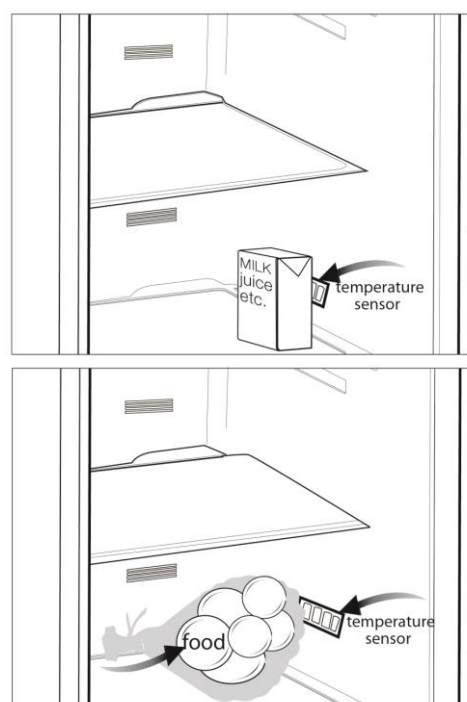
Materials to be used for packaging the foodstuff must be tear-proof and resistant to cold, humidity, dour, oils and acids.

Foodstuff to be frozen should not be allowed to come in contact with the previously frozen items to prevent their partial thawing. Thawed out food must be consumed and must not be frozen again.

Recommendations for the fresh food compartment

*optional

- Do not allow the food to touch the temperature sensor in fresh food compartment. To allow the fresh food compartment keep its ideal storage temperature, sensor must not be hindered by food.
- Do not place hot foods in the product.



Freezer Compartment Setting	Fridge Compartment Setting	Explanations
-18°C	4°C	This is the normal recommended setting.
-20, -22 or -24°C	4°C	These settings are recommended when the ambient temperature exceeds 30°C.
Quick Freeze	4°C	Use when you wish to freeze your food in a short time. It is recommended to be used to maintain the quality of meat and fish products.
-18°C or colder	2°C	If you think that your fridge compartment is not cold enough because of the hot conditions or frequent opening and closing of the door.
-18°C or colder	Quick Fridge	You can use it when your fridge compartment is overloaded or if you wish to cool down your food rapidly. It is recommended that you activate quick fridge function 4-8 hours before placing the food.

Recommendations for preservation of frozen food

- Pre-packed commercially frozen food should be stored in accordance with the frozen food manufacturer's instructions in a frozen food storage compartment.
- To ensure that the high quality supplied by the frozen food manufacturer and the food retailer is maintained, following points should be noted:
 1. Put packages in the freezer as quickly as possible after purchase.
 2. Ensure that contents of the package are labeled and dated.
 3. Do not exceed "Use By", "Best Before" dates on the packaging.

Defrosting

The freezer compartment defrosts automatically.

Placing the food

Freezer compartment shelves	Various frozen food such as meat, fish, ice cream, vegetables and etc.
Egg holder	Egg
Fridge compartment shelves	Food in pans, covered plates and closed containers
Fridge compartment door shelves	Small and packaged food or drinks (such as milk, fruit juice and beer)
Crisper	Vegetables and fruits
Fresh zone compartment	Delicatessen products (cheese, butter, salami and etc.)

6 Maintenance and cleaning

- ⚠ Never use gasoline, benzene or similar substances for cleaning purposes.
- ⚠ We recommend that you unplug the appliance before cleaning.
- ⚠ Never use any sharp abrasive instrument, soap, household cleaner, detergent and wax polish for cleaning.
- ℹ Use lukewarm water to clean the cabinet of your refrigerator and wipe it dry.
- ℹ Use a damp cloth wrung out in a solution of one teaspoon of bicarbonate of soda to one pint of water to clean the interior and wipe it dry.
- ⚠ Make sure that no water enters the lamp housing and other electrical items.
- ⚠ If your refrigerator is not going to be used for a long period of time, unplug the power cable, remove all food, clean it and leave the door ajar.
- ℹ Check door seals regularly to ensure they are clean and free from food particles.
- ⚠ To remove door racks, remove all the contents and then simply push the door rack upwards from the base.

- ⚠ Never use cleaning agents or water that contain chlorine to clean the outer surfaces and chromium coated parts of the product. Chlorine causes corrosion on such metal surfaces.

Protection of plastic surfaces

- ℹ Do not put the liquid oils or oil-cooked meals in your refrigerator in unsealed containers as they damage the plastic surfaces of your refrigerator. In case of spilling or smearing oil on the plastic surfaces, clean and rinse the relevant part of the surface at once with warm water.

7 Troubleshooting

Please review this list before calling the service. It will save your time and money. This list includes frequent complaints that are not arising from defective workmanship or material usage. Some of the features described here may not exist in your product.

The refrigerator does not operate.

- The plug is not inserted into the socket correctly. >>>Insert the plug into the socket securely.
- The fuse of the socket which your refrigerator is connected to or the main fuse have blown out. >>>Check the fuse.

Condensation on the side wall of the fridge compartment (MULTIZONE, COOL CONTROL and FLEXI ZONE).

- Ambient is very cold. >>>Do not install the refrigerator in places where the temperature falls below 10°C.
- Door has been opened frequently. >>>Do not open and close the door of refrigerator frequently.
- Ambient is very humid. >>>Do not install your refrigerator into highly humid places.
- Food containing liquid is stored in open containers. >>>Do not store food with liquid content in open containers.
- Door of the refrigerator is left ajar. >>>Close the door of the refrigerator.
- Thermostat is set to a very cold level. >>>Set the thermostat to a suitable level.

Compressor is not running

- Protective thermic of the compressor will blow out during sudden power failures or plug-out plug-ins as the refrigerant pressure in the cooling system of the refrigerator has not been balanced yet. The refrigerator will start running approximately after 6 minutes. Please call the service if the refrigerator does not startup at the end of this period.
- The fridge is in defrost cycle. >>>This is normal for a full-automatically defrosting refrigerator. Defrosting cycle occurs periodically.
- The refrigerator is not plugged into the socket. >>>Make sure that the plug is fit into the socket.
- Temperature settings are not made correctly. >>>Select the suitable temperature value.
- There is a power outage. >>>Refrigerator returns to normal operation when the power restores.

The operation noise increases when the refrigerator is running.

- The operating performance of the refrigerator may change due to the changes in the ambient temperature. It is normal and not a fault.

The refrigerator is running frequently or for a long time.

- New product may be wider than the previous one. Larger refrigerators operate for a longer period of time.
- The room temperature may be high. >>>It is normal that the product operates for longer periods in hot ambient.
- The refrigerator might be plugged in recently or might be loaded with food. >>>When the refrigerator is plugged in or loaded with food recently, it will take longer for it to attain the set temperature. This is normal.
- Large amounts of hot food might be put in the refrigerator recently. >>>Do not put hot food into the refrigerator.
- Doors might be opened frequently or left ajar for a long time. >>>The warm air that has entered into the refrigerator causes the refrigerator to run for longer periods. Do not open the doors frequently.
- Freezer or fridge compartment door might be left ajar. >>>Check if the doors are closed completely.
- The refrigerator is adjusted to a very low temperature. >>>Adjust the refrigerator temperature to a warmer degree and wait until the temperature is achieved.
- Door seal of the fridge or freezer may be soiled, worn out, broken or not properly seated. >>>Clean or replace the seal. Damaged/broken seal causes the refrigerator to run for a longer period of time in order to maintain the current temperature.

Freezer temperature is very low while the fridge temperature is sufficient.

- The freezer temperature is adjusted to a very low value. >>>Adjust the freezer temperature to a warmer degree and check.

Fridge temperature is very low while the freezer temperature is sufficient.

- The fridge temperature is adjusted to a very low value. >>>Adjust the fridge temperature to a warmer degree and check.

Food kept in the fridge compartment drawers is frozen.

- The fridge temperature is adjusted to a very high value. >>>Adjust the fridge temperature to a lower value and check.

Temperature in the fridge or freezer is very high.

- The fridge temperature is adjusted to a very high value. >>>Fridge compartment temperature setting has an effect on the temperature of the freezer. Change the temperatures of the fridge or freezer and wait until the relevant compartments attain a sufficient temperature.
- Doors are opened frequently or left ajar for a long time. >>>Do not open the doors frequently.
- Door is ajar. >>>Close the door completely.
- The refrigerator is plugged in or loaded with food recently. >>>This is normal. When the refrigerator is plugged in or loaded with food recently, it will take longer for it to attain the set temperature.
- Large amounts of hot food might be put in the refrigerator recently. >>>Do not put hot food into the refrigerator.

Vibrations or noise.
<ul style="list-style-type: none"> • The floor is not level or stable. >>> If the refrigerator rocks when moved slowly, balance it by adjusting its feet. Also make sure that the floor is strong enough to carry the refrigerator, and level. • The items put onto the refrigerator may cause noise. >>>Remove the items on top of the refrigerator.
There are noises coming from the refrigerator like liquid flowing, spraying, etc.
<ul style="list-style-type: none"> • Liquid and gas flows occur in accordance with the operating principles of your refrigerator. It is normal and not a fault.
Whistle comes from the refrigerator.
<ul style="list-style-type: none"> • Fans are used in order to cool the refrigerator. It is normal and not a fault.
Condensation on the inner walls of refrigerator.
<ul style="list-style-type: none"> • Hot and humid weather increases icing and condensation. It is normal and not a fault. • Doors are opened frequently or left ajar for a long time. >>>Do not open the doors frequently. Close them if they are open. • Door is ajar. >>>Close the door completely.
Humidity occurs on the outside of the refrigerator or between the doors.
<ul style="list-style-type: none"> • There might be humidity in the air; this is quite normal in humid weather. When the humidity is less, condensation will disappear.
Bad odour inside the refrigerator.
<ul style="list-style-type: none"> • No regular cleaning is performed. >>>Clean the inside of the refrigerator regularly with a sponge, lukewarm water or carbonate dissolved in water. • Some containers or package materials may cause the smell. >>>Use a different container or different brand packaging material. • Food is put into the refrigerator in uncovered containers. >>>Keep the food in closed containers. Microorganisms spreading out from uncovered containers can cause unpleasant odours. • Remove the foods that have expired best before dates and spoiled from the refrigerator.
The door is not closing.
<ul style="list-style-type: none"> • Food packages are preventing the door from closing. >>>Replace the packages that are obstructing the door. • The refrigerator is not completely even on the floor. >>>Adjust the feet to balance the refrigerator. • The floor is not level or strong. >>>Make sure that the floor is level and capable to carry the refrigerator.
Crispers are stuck.
<ul style="list-style-type: none"> • The food is touching the ceiling of the drawer. >>>Rearrange food in the drawer.

Veillez d'abord lire ce manuel d'utilisation !

Cher client,

Nous espérons que votre produit, qui a été fabriqué dans des usines modernes et vérifié au terme des procédures de contrôle de qualité les plus méticuleuses, vous aidera efficacement.

Veillez donc lire attentivement l'intégralité de ce manuel avant de commencer à utiliser le produit et conservez-le manuel comme référence. Si vous remettez cet appareil à quelqu'un d'autre, remettez-lui également le manuel d'utilisation.

Le présent manuel vous aidera à utiliser votre produit en toute sécurité et efficacement.

- Veuillez lire le manuel avant l'installation et l'utilisation du produit.
- Veuillez lire les instructions de sécurité.
- Conservez ce manuel dans un endroit facilement accessible car vous pourriez en avoir besoin ultérieurement.
- Lisez également la documentation fournie avec le produit.

N'oubliez pas que le présent manuel d'utilisation est également valable pour plusieurs autres modèles. Les différences entre les différents modèles seront identifiées dans le manuel.

Explication des symboles

Les symboles ci-après sont utilisés dans le manuel d'utilisation :

 Informations importantes ou astuces.

 Avertissement relatif aux conditions dangereuses pour la vie et la propriété.

 Avertissement relatif à la tension électrique.



ATTENTION!

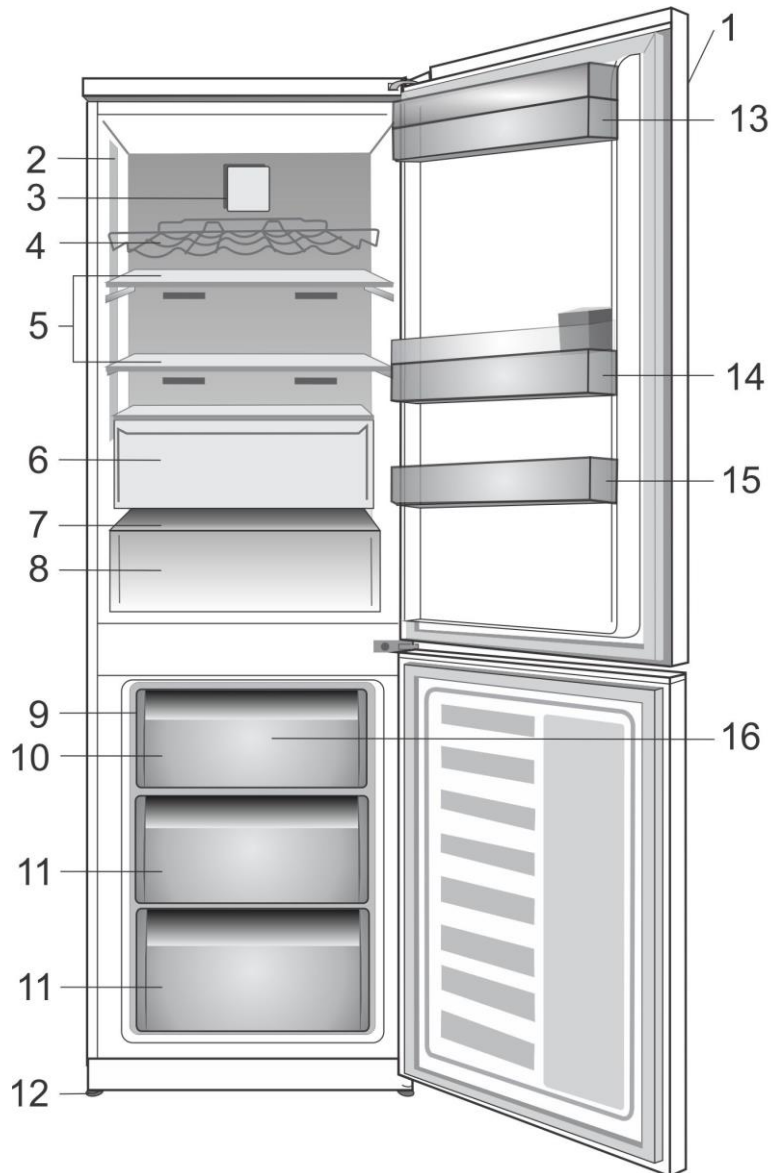
Pour assurer un fonctionnement normal de votre appareil qui utilise un agent frigorifique complètement écologique, R600a (infammable seulement dans certaines conditions) vous devez respecter les règles suivantes:

- N'empêchez pas la libre circulation de l'air autour de l'appareil.
- N'utilisez pas des dispositifs mécaniques pour accélérer le dégivrage, autres que ceux recommandés par le fabricant.
- Ne détruisez pas le circuit frigorifique.
- N'utilisez pas des appareils électriques à l'intérieur du compartiment pour conserver les denrées, apart celles qui sont éventuellement recommandés par le fabricant.

TABLE DES MATIÈRES

<u>1 Votre réfrigérateur</u>	3	<u>4 Préparation</u>	10
<u>2 Précautions de sécurité</u>		<u>5 Utilisation du réfrigérateur</u>	11
<u>Importantes</u>	4	Bandeau indicateur	11
Utilisation préconisée	4	Système de réfrigération Dual	13
Sécurité générale	4	Distributeur d'eau	14
Pour les appareils dotés d'une fontaine à eau	6	Compartiment de conservation des denrées périssables	16
Sécurité enfants	6	Bac à légumes à humidité contrôlée	16
Conformité avec la réglementation DEEE et mise au rebut des déchets	6	Congélation des aliments frais	16
Informations relatives à l'emballage	7	Informations concernant la congélation.	17
Avertissement HCA	7	Recommandations relatives au compartiment des produits frais	17
Mesures d'économie d'énergie	7	Recommandations concernant la conservation des aliments congelés	18
<u>3 Installation</u>	8	Dégivrage	18
Éléments à prendre en considération lors du déménagement de votre réfrigérateur	8	Disposition des denrées	18
Avant de mettre votre réfrigérateur en marche,	8	<u>6 Entretien et nettoyage</u>	19
Les branchements électriques	8	Protection des surfaces en plastique	19
Mise au rebut de l'emballage	9	<u>7 Dépannage</u>	20
Mise au rebut de votre ancien réfrigérateur	9		
Disposition et Installation	9		
Remplacement de la lampe	9		
Inversion de la direction de l'ouverture de la porte	9		
Réglage des pieds	9		

1 Votre réfrigérateur



- | | |
|---------------------------------|---|
| 1. Bandeau de commande | 10. Compartiment de congélation rapide |
| 2. Éclairage intérieur | 11. Compartiments de conservation des denrées surgelées |
| 3. Ventilateur du réfrigérateur | 12. Pieds avant réglables |
| 4. Clayette range-bouteilles | 13. Compartiment des produits laitiers |
| 5. Clayettes réglables | 14. Réservoir du distributeur d'eau |
| 6. Compartiment 0/3°C | 15. Clayette |
| 7. Couvercle | 16. Ventilateur du congélateur |
| 8. Bacs à légumes | |
| 9. Bac à glaçons et support | |

i Les illustrations présentées dans cette notice d'utilisation sont schématiques et peuvent ne pas correspondre exactement à votre produit. Si certains éléments illustrés ne sont pas inclus dans le produit que vous avez acheté, ils concerneront d'autres modèles.

2 Précautions de sécurité importantes

Veillez examiner les informations suivantes :

Le non respect de ces consignes peut entraîner des blessures ou dommages matériels.

Sinon, tout engagement lié à la garantie et à la fiabilité du produit devient invalide.

Les pièces détachées d'origine sont disponibles pendant 10 ans, à compter de la date d'achat du produit.

Utilisation préconisée

- Ce produit est prévu pour une utilisation en intérieur et dans des zones fermées telles que les maisons ;
- dans les environnements de travail fermés, tels que les magasins et les bureaux ;
- dans les lieux d'hébergement fermés, tels que les fermes, hôtels, pensions.
- Il ne doit en conséquence pas être utilisé à l'extérieur.

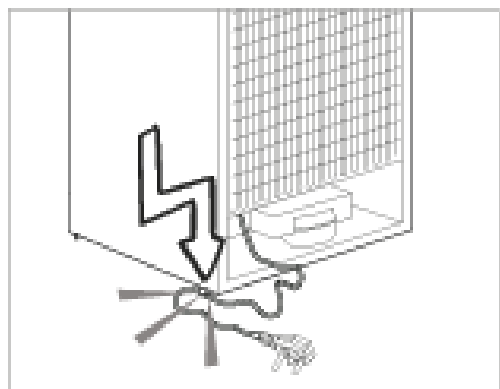
Sécurité générale

- Avant de vous débarrasser de votre appareil, veuillez consulter les autorités locales ou votre revendeur pour connaître le mode opératoire et les organismes agréés de collecte.
- Consultez le service après-vente agréé concernant toutes questions ou problèmes relatifs au réfrigérateur. N'intervenez pas ou ne laissez personne intervenir sur le réfrigérateur sans le communiquer au service après-vente agréé.
- Pour les produits équipés d'un compartiment congélateur ; ne mangez pas de cônes de crème glacée ou des glaçons immédiatement après les avoir sortis du compartiment de congélation ! (Cela pourrait provoquer des engelures dans votre bouche).

- Pour les produits équipés d'un compartiment congélateur ; ne placez pas de boissons en bouteilles ou en canette dans le congélateur. Cela peut entraîner leur éclatement.
- Ne touchez pas des produits congelés avec les mains, ils pourraient se coller à celles-ci.
- Débranchez votre réfrigérateur avant de le nettoyer ou de le dégivrer.
- La vapeur et des matériaux de nettoyage pulvérisés ne doivent jamais être utilisés pour les processus de nettoyage ou de dégivrage de votre réfrigérateur. La vapeur pourrait pénétrer dans les pièces électriques et provoquer des courts-circuits ou des électrocutions.
- Ne jamais utiliser les pièces de votre réfrigérateur telles que la plaque de protection ou la porte, comme un support ou une marche.
- N'utilisez pas d'appareils électriques à l'intérieur du réfrigérateur.
- N'endommagez pas les pièces où circule le liquide réfrigérant avec des outils de forage ou coupants. Le liquide réfrigérant qui pourrait s'échapper si les canalisations de gaz de l'évaporateur, les rallonges de tuyau ou les revêtements de surface étaient percés, peut irriter la peau et provoquer des blessures aux yeux.
- Ne pas couvrir ou obstruer les orifices de ventilation du réfrigérateur.
- Les appareils électriques peuvent être réparés seulement par des personnes autorisées. Les réparations réalisées par des personnes ne présentant pas les compétences requises peuvent présenter un risque pour l'utilisateur.

- En cas de dysfonctionnement ou lors d'opérations d'entretien ou de réparation, débranchez l'alimentation électrique du réfrigérateur soit en désactivant le fusible correspondant, soit en débranchant l'appareil.
- Ne tirez pas sur le câble lorsque vous débranchez la prise.
- Placez les boissons alcoolisées verticalement, dans des récipients convenablement fermés.
- Ne conservez jamais des aérosols contenant des substances inflammables et explosives dans le réfrigérateur.
- N'utilisez pas d'outils mécaniques ou autres moyens pour accélérer le processus de décongélation autres que ceux qui sont recommandés par le fabricant.
- Ce produit n'est pas conçu pour être utilisé par des personnes (enfants compris) souffrant de déficience physique, sensorielle, mentale, ou inexpérimentées, à moins d'avoir obtenu une autorisation auprès des personnes responsables de leur sécurité.
- Ne faites pas fonctionner un réfrigérateur endommagé. Consultez le service agréé en cas de problème.
- La sécurité électrique du réfrigérateur n'est assurée que si le système de mise à la terre de votre domicile est conforme aux normes en vigueur.
- L'exposition du produit à la pluie, la neige, au soleil ou au vent présente des risques concernant la sécurité électrique.
- Contactez le service agréé quand un câble d'alimentation est endommagé pour éviter tout danger.
- Ne branchez jamais le réfrigérateur à la prise murale au cours de l'installation. Vous vous exposeriez à un risque de mort ou à de blessures graves.

- Ce réfrigérateur est conçu seulement pour conserver des aliments. Par conséquent, il ne doit pas être utilisé à d'autres fins.
- L'étiquette avec les caractéristiques techniques est située sur le mur gauche à l'intérieur du réfrigérateur.
- Ne branchez jamais votre réfrigérateur à des systèmes d'économie d'énergie, cela peut l'endommager.
- S'il y a une lumière bleue sur le réfrigérateur, ne la regardez pas avec des outils optiques.
- Pour les réfrigérateurs contrôlés manuellement, attendez au moins 5 minutes pour allumer le réfrigérateur après une coupure de courant.
- Si cet appareil venait à changer de propriétaire, n'oubliez pas de remettre la présente notice d'utilisation au nouveau bénéficiaire.
- Évitez d'endommager le câble d'alimentation quand vous transportez le réfrigérateur. Tordre le câble peut entraîner un incendie. Ne placez jamais des objets lourds sur le câble d'alimentation.
- Évitez de toucher à la prise avec des mains mouillées au moment de brancher l'appareil.



- Évitez de brancher le réfrigérateur lorsque la prise de courant électrique a lâché.
- Pour des raisons de sécurité, évitez de pulvériser directement de l'eau sur les parties externes et internes du réfrigérateur.

- Ne pulvérisez pas de substances contenant des gaz inflammables comme du propane près du réfrigérateur pour éviter tout risque d'incendie et d'explosion.
- Ne placez jamais de récipients contenant de l'eau sur votre réfrigérateur, ils pourraient causer des chocs électriques ou un incendie.
- Évitez de surcharger le réfrigérateur avec une quantité excessive d'aliments. S'il est surchargé, les aliments peuvent tomber, vous blesser et endommager le réfrigérateur quand vous ouvrez la porte.
- Ne placez jamais d'objets au-dessus du réfrigérateur, ils pourraient tomber quand vous ouvrez ou fermez la porte du réfrigérateur.
- Les produits qui nécessitent un contrôle de température précis (vaccin, médicament sensible à la chaleur, matériels scientifiques, etc.) ne doivent pas être conservés dans le réfrigérateur..
- Si le réfrigérateur n'est pas utilisé pendant longtemps, il doit être débranché. Un éventuel problème avec le câble d'alimentation pourrait causer un incendie.
- Le bout de la prise électrique doit être nettoyé régulièrement à l'aide d'un chiffon sec, sinon il peut provoquer un incendie.
- Le réfrigérateur peut bouger si ses pieds réglables ne sont pas bien fixés sur le sol. Bien fixer les pieds réglables sur le sol peut empêcher le réfrigérateur de bouger.
- Quand vous transportez le réfrigérateur, ne le tenez pas par la poignée de la porte. Cela peut le casser.
- Quand vous devez placer votre produit près d'un autre réfrigérateur ou congélateur, la distance entre les appareils doit être d'au moins 8 cm. Sinon, les murs adjacents peuvent être humidifiés.

Pour les appareils dotés d'une fontaine à eau ;

La pression de l'alimentation en eau doit être au minimum de 1 bar. La pression de l'alimentation en eau doit être au maximum de 8 bars.


- Utilisez uniquement de l'eau potable.

Sécurité enfants

- Si la porte a un verrouillage, la clé doit rester hors de portée des enfants.
- Les enfants doivent être surveillés et empêchés de s'amuser avec le produit.

Conformité avec la réglementation DEEE et mise au rebut des déchets



Le symbole  sur le produit ou sur son emballage indique que ledit produit peut ne pas être traité comme ordure ménagère. Au contraire, il sera remis au point de collecte approprié pour les équipements électriques et électroniques. En s'assurant que le présent produit est correctement mis au rebut, vous aiderez ainsi à éviter de potentielles conséquences négatives pour l'environnement et la santé humaine qu'une mauvaise mise au rebut aurait par ailleurs entraîné. Pour plus d'informations relatives au recyclage de ce produit, veuillez contacter les autorités de votre localité, les services chargés de la mise au rebut de vos ordures ménagères ou le magasin dans lequel vous avez acheté le produit.

Informations relatives à l'emballage

Les matériaux d'emballage de cet appareil sont fabriqués à partir de matériaux recyclables, conformément à nos Réglementations Nationales en Environnement. Ne mélangez pas les matériaux d'emballage avec les déchets domestiques ou d'autres déchets. Amenez-les aux points de collecte des matériaux d'emballage, désignés par les autorités locales.

N'oubliez pas...

Pour la préservation de la nature et de notre santé, il est indispensable de recycler les matières.

Si vous voulez contribuer au recyclage des matériaux d'emballage, vous pouvez vous renseigner auprès d'organisations environnementales ou de l'autorité locale proche de votre domicile.

Avertissement HCA

Si le système de refroidissement de votre appareil contient R600a :

Ce gaz est inflammable. Par conséquent, veuillez prendre garde à ne pas endommager le système de refroidissement et les tuyauteries lors de son utilisation ou de son transport. En cas de dommages, éloignez votre produit de toute source potentielle de flammes susceptible de provoquer l'incendie de l'appareil. De même, placez le produit dans une pièce aérée.

Le type de gaz utilisé dans l'appareil est mentionné sur la plaque signalétique située sur la paroi gauche de l'intérieur du réfrigérateur.

Ne jetez jamais l'appareil au feu pour vous en débarrasser.

Mesures d'économie d'énergie

- Ne laissez pas les portes du réfrigérateur ouvertes pendant une durée prolongée.
- N'introduisez pas de denrées ou de boissons chaudes dans le réfrigérateur.
- Ne surchargez pas le réfrigérateur pour ne pas obstruer pas la circulation d'air à l'intérieur.
- N'installez pas le réfrigérateur à la lumière directe du soleil ou près d'appareil émettant de la chaleur tels qu'un four, un lave-vaisselle ou un radiateur. Maintenez une distance d'au moins 30 cm entre votre réfrigérateur et toute source de chaleur, et à une distance de 5 cm d'un four électrique.
- Veillez à conserver vos denrées dans des récipients fermés.
- Pour les produits équipés d'un compartiment congélateur : vous pouvez conserver une quantité maximale d'aliments dans le congélateur quand vous enlevez l'étagère ou le tiroir du congélateur. La consommation d'énergie précisée pour votre réfrigérateur a été déterminée en enlevant l'étagère ou le tiroir du congélateur et avec la charge maximale. Il n'y a aucun risque à utiliser une étagère ou un tiroir en fonction des formes et tailles des denrées à congeler.
- La décongélation des aliments dans le compartiment réfrigérateur permet de faire des économies d'énergie et de préserver la qualité des aliments.

3 Installation

⚠ Dans l'hypothèse où l'information contenue dans ce manuel n'a pas été prise en compte par l'utilisateur, le fabricant ne sera aucunement responsable en cas de problèmes.

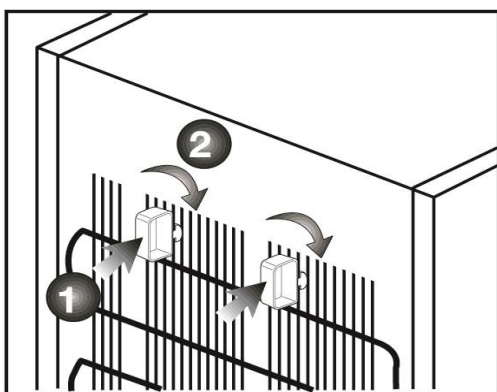
Éléments à prendre en considération lors du déménagement de votre réfrigérateur

1. Votre réfrigérateur doit être débranché. Avant le transport de votre réfrigérateur, vous devez le vider et le nettoyer
2. Avant d'emballer votre réfrigérateur, vous devez fixer ses étagères, bac, accessoires, etc, avec du ruban adhésif afin de les protéger contre les chocs. L'emballage doit être solidement attaché avec du ruban adhésif épais ou avec un cordage solide. La réglementation en matière de transport et de marquage de l'emballage doit être strictement respectée.
3. L'emballage et les matériaux de protection d'emballage doivent être conservés pour les éventuels transports ou déplacements à venir.

Avant de mettre votre réfrigérateur en marche,

Vérifiez les points suivants avant de commencer à utiliser votre réfrigérateur :

1. Fixez les câbles en plastique tel qu'indiqué sur le schéma ci-dessous. Les câbles en plastique servent à maintenir une distance permettant la circulation de l'air entre le réfrigérateur et le mur. (Cette image n'est donnée qu'à titre indicatif ; elle n'est pas identique à votre produit.)



2. Nettoyez l'intérieur du réfrigérateur tel qu'indiqué dans la section « Entretien et nettoyage ».
3. Insérez la prise du réfrigérateur dans la prise murale. Lorsque la porte du réfrigérateur est ouverte, la lampe interne du réfrigérateur s'éclaire.
4. Lorsque le compresseur commence à fonctionner, il émettra un son. Le liquide et les gaz intégrés au système du réfrigérateur peuvent également faire du bruit, que le compresseur soit en marche ou non. Ceci est tout à fait normal.
5. Les parties antérieures du réfrigérateur peuvent chauffer. Ce phénomène est normal. Ces zones doivent en principe être chaudes pour éviter tout risque de condensation.

Branchement électrique

Branchez votre réfrigérateur à une prise de mise à la terre protégée par un fusible ayant une capacité appropriée. Important :

Le branchement doit être conforme aux normes en vigueur sur le territoire national.

- La fiche du câble d'alimentation doit être facilement accessible après installation.
- La sécurité électrique du réfrigérateur n'est assurée que si le système de mise à la terre de votre domicile est conforme aux normes en vigueur.
- La tension indiquée sur l'étiquette située sur la paroi gauche interne de votre produit doit correspondre à celle fournie par votre réseau électrique.
- **Les rallonges et prises multivoies ne doivent pas être utilisés pour brancher l'appareil.**

⚠ Un câble d'alimentation endommagé doit être remplacé par un électricien qualifié.

⚠ L'appareil ne doit pas être mis en service avant d'être réparé ! Cette précaution permet d'éviter tout risque de choc électrique !

Mise au rebut de l'emballage

Les matériaux d'emballage peuvent être dangereux pour les enfants. Tenez les matériaux d'emballage hors de portée des enfants ou jetez-les conformément aux consignes établies par les autorités locales en matière de déchets. Ne les jetez pas avec les déchets domestiques, déposez-les dans les centres de collecte désignés par les autorités locales.

L'emballage de votre appareil est produit à partir de matériaux recyclables.

Mise au rebut de votre ancien réfrigérateur

Débarrassez-vous de votre ancien réfrigérateur sans nuire à l'environnement.

- Vous pouvez consulter le service après-vente agréé ou le centre chargé de la mise au rebut dans votre municipalité pour en savoir plus sur la mise au rebut de votre produit.

Avant de procéder à la mise au rebut de votre machine, coupez la prise électrique et, le cas échéant, tout verrouillage susceptible de se trouver sur la porte. Rendez-les inopérants afin de ne pas exposer les enfants à d'éventuels dangers.

Disposition et Installation

⚠ Si la porte d'entrée de la pièce où sera installé le réfrigérateur n'est pas assez large pour laisser passer le réfrigérateur, appelez le service après-vente qui retirera les portes du réfrigérateur et le fera entrer latéralement dans la pièce.

1. Installez le réfrigérateur dans un emplacement qui permette une utilisation pratique.
2. Maintenez le réfrigérateur éloigné de toutes sources de chaleur, des endroits humides et de la lumière directe du soleil.
3. Une ventilation d'air autour du réfrigérateur doit être aménagée pour obtenir un fonctionnement efficace. Si le réfrigérateur est placé dans un enfoncement du mur, il doit y avoir un espace d'au moins 5 cm avec le plafond

et d'au moins 5 cm avec le mur. Ne placez pas l'appareil sur des revêtements tels qu'un tapis ou de la moquette.

4. Placez le réfrigérateur sur un a de surface plane afin d'éviter les à-coups.

Remplacement de la lampe

Pour remplacer la lampe LED du réfrigérateur, veuillez contacter le service après-vente agréé.

La lampe (s) utilisé dans cet appareil ne convient pas pour l'éclairage de la salle de ménage. Le but visé par cette lampe est d'aider à l'utilisateur de placer les aliments dans le réfrigérateur / congélateur d'une manière sûre et confortable. Les voyants utilisés dans cet appareil doivent résister aux conditions physiques extrêmes telles que des températures inférieures à -20°C.

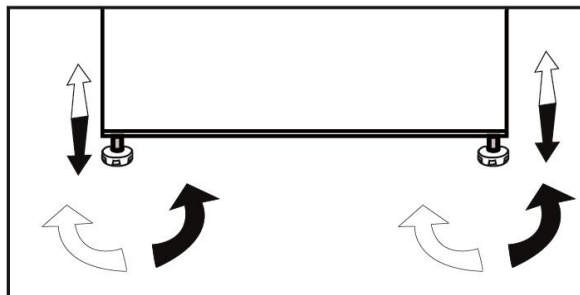
Inversion de la direction de l'ouverture de la porte

Il est possible de changer la direction de l'ouverture de la porte de votre réfrigérateur en fonction de son emplacement. Si cette nécessité s'impose, veuillez contacter le service agréé le plus proche.

Réglage des pieds

Si le réfrigérateur n'est pas stable.

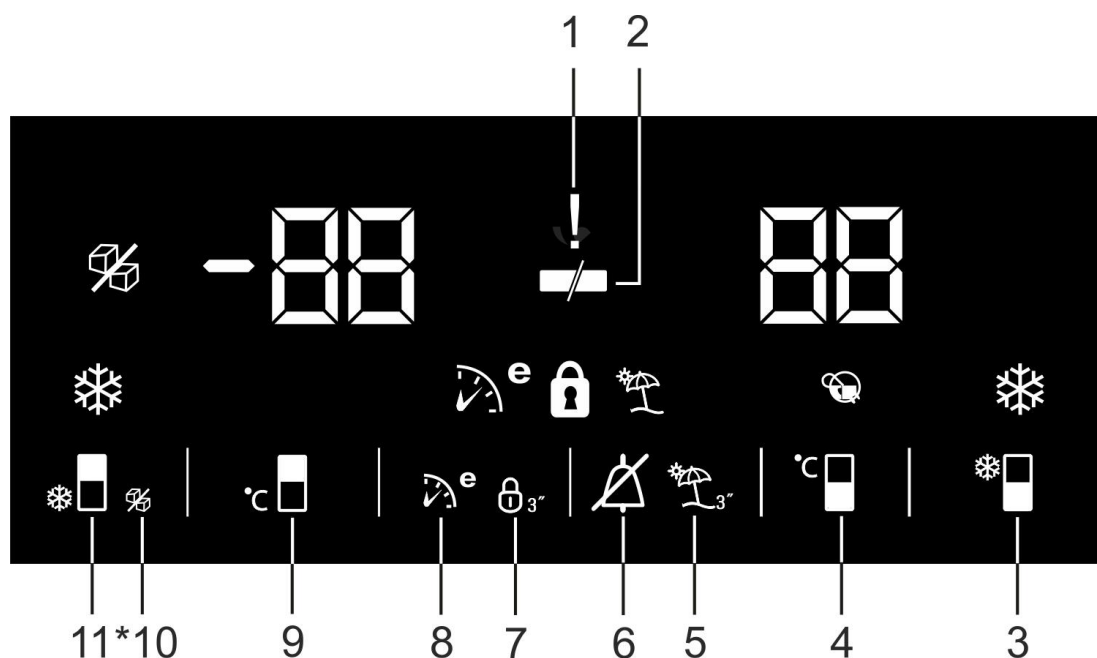
Vous pouvez équilibrer le réfrigérateur en tournant les pieds avant, tel qu'illustré sur le schéma. Le côté où se trouve le pied s'abaisse lorsque vous tournez dans le sens de la flèche noire, et s'élève lorsque vous tournez dans le sens opposé. Si vous vous faites aider par quelqu'un pour légèrement soulever le réfrigérateur, l'opération s'en trouvera simplifiée.



4 Préparation

- Votre réfrigérateur doit être installé à au moins 30 cm des sources de chaleur telles que les plaques de cuisson, les fours, appareils de chauffage ou cuisinières, et à au moins 5 cm des fours électriques. De même, il ne doit pas être exposé à la lumière directe du soleil.
- La température ambiante de la pièce où vous installez le réfrigérateur doit être d'au moins 10°C. Faire fonctionner l'appareil sous des températures inférieures n'est pas recommandé et pourrait nuire à son efficacité.
- Veuillez vous assurer que l'intérieur de votre appareil est soigneusement nettoyé.
- Si deux réfrigérateurs sont installés côte à côte, ils doivent être séparés d'au moins 2 cm.
- Lorsque vous faites fonctionner le réfrigérateur pour la première fois, assurez-vous de suivre les instructions suivantes pendant les six premières heures.
- La porte ne doit pas être ouverte fréquemment.
- Le réfrigérateur doit fonctionner à vide, sans denrées à l'intérieur.
- Panne de courant se produit, veuillez vous reporter aux avertissements de la section « Solutions recommandées aux problèmes ».
- L'emballage et les matériaux de protection d'emballage doivent être conservés pour les éventuels transports ou déplacements à venir.

5 Utilisation du réfrigérateur



Bandeau indicateur

1. Indicateur de Coupure de courant / Température élevée / d'avertissement d'erreur

Cet indicateur (!) s'allume en cas de coupure de courant, d'échecs de température élevée et de messages d'erreur. Pendant les coupures de courant prolongées, le niveau de température le plus élevé atteint par le compartiment congélateur clignote sur l'affichage numérique. Après avoir vérifié les aliments situés dans le compartiment congélateur (❌), appuyez sur le bouton de désactivation d'alarme pour supprimer le message d'erreur.

Veillez consulter la section « solutions conseillées pour le dépannage » dans votre manuel si vous constatez que l'indicateur est allumé.

i *en option : Les chiffres présentés dans ce guide sont à titre indicatif et peuvent ne pas correspondre à votre appareil. Si votre appareil ne dispose pas des parties citées, alors l'information s'applique à d'autres modèles.


2. Fonction Économie d'énergie (Arrêt de l'affichage):


Si les portes de produit sont maintenues fermées pour une fonction d'économie d'énergie de longue durée est automatiquement activé après 1 minute et économie d'énergie symbole est allumé. (⚡)


Si la fonction Économie d'énergie est active, tous les symboles de l'écran hormis celui de l'Économie d'énergie s'éteindront. Lorsque la fonction Économie d'énergie est active, si vous appuyez sur un bouton quelconque ou ouvrez la porte, cette fonction se désactive et les symboles affichés redeviennent normaux.


La fonction Économie d'énergie est activée à la sortie du réfrigérateur de l'usine et ne peut être annulée.

3. Fonction de réfrigération rapide


Appuyez sur ce bouton pour activer ou désactiver la fonction de cuisson rapide ()

 Utilisez la fonction de refroidissement rapide lorsque vous souhaitez refroidir rapidement les aliments placés dans le compartiment réfrigérateur. Si vous souhaitez refroidir de grandes quantités d'aliments frais, nous vous recommandons d'activer cette fonction au préalable.



 Après 1 heure de temps ou lorsque le compartiment réfrigérateur atteint la température souhaitée, la fonction de refroidissement rapide s'annulera automatiquement si vous ne le faites pas.

 Cette fonction n'est pas reprise lorsque le courant est rétabli après une panne de courant.

4. Bouton de réglage de la température du compartiment réfrigérateur


Appuyez sur ce bouton pour régler la température du compartiment réfrigérateur à 8, 7, 6, 5, 4, 3, 2, 1, 8 respectivement. Appuyez sur ce bouton pour définir la température souhaitée pour le compartiment du réfrigérateur. ()

5. Fonction Vacances


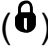
Pour activer la fonction Vacances, il suffit d'appuyer sur ce bouton () pendant 3 secondes, et l'indicateur du mode Vacances () s'active. Si la fonction Vacances est activée, “- -” s'affiche sur l'indicateur de température du compartiment réfrigérateur et aucun refroidissement actif n'est sélectionné sur le compartiment réfrigérateur. Il n'est pas adapté de conserver les denrées dans le compartiment réfrigérateur lorsque cette fonction est activée. D'autres compartiments doivent continuer à se refroidir conformément à leur température réglée.

Pour désactiver cette fonction, appuyez à nouveau sur le bouton de la **fonction Vacances**.


6. Avertissement de désactivation d'alarme :

En cas d'alarme de coupure de courant / température élevée, après avoir vérifié les aliments stockés dans le compartiment congélateur, appuyez sur le bouton de désactivation d'alarme () pour supprimer le message d'avertissement.


7. Key lock (Verrouillage des commandes)

Appuyez simultanément sur le bouton Key lock () pendant 3 secondes. Symbole de verrouillage des commandes () s'allume et le mode Verrouillage des commandes est activé. Les boutons ne fonctionneront pas si le mode Verrouillage des commandes est actif.

Appuyez simultanément sur le bouton Key lock pendant 3 secondes à nouveau. Le symbole de verrouillage des commandes s'éteint et le mode Verrouillage des commandes est désactivé.

Appuyez sur le bouton **key lock** si vous souhaitez éviter toute modification du réglage de température du réfrigérateur ()

8. Eco fuzzy

Maintenez enfoncé le bouton éco floue une fois pour activer la fonction écologique floue. Le réfrigérateur commence à fonctionner dans le mode le plus économique au moins 6 heures plus tard, et l'indicateur d'utilisation économique s'allume une fois que la fonction est active ()

Appuyez et maintenez enfoncé le bouton Eco fuzzy pendant 3 secondes pour désactiver la fonction Eco fuzzy. Ce témoin s'allume après 6 heures lorsque le bouton Eco fuzzy est activé.

9. Bouton de réglage de la température du compartiment de congélation

Appuyez sur ce bouton pour régler la température du compartiment de congélation à -18,-19,-20,-21,-22,-23,-24,-18... respectivement. Appuyez sur ce bouton pour définir la valeur de température souhaitée pour le compartiment du congélateur (•❏)

10. Voyant du distributeur de glaçons désactivé (uniquement sur les produits avec la machine Icematic)

Indique si le distributeur de glaçons est activé ou non. (0/03") Si l'indicateur est activé, alors le distributeur de glaçons ne fonctionne pas. Pour activer le distributeur de glaçons à nouveau, maintenez le bouton Marche-Arrêt enfoncé pendant 3 secondes.

❏ L'arrivée d'eau du réservoir à eau sera arrêtée en sélectionnant cette fonction. Toutefois, les glaçons déjà formés peut être retirés du distributeur.

11. Bouton de la fonction congélation rapide / Bouton Marche-Arrêt du distributeur de glaçons

Appuyez sur ce bouton pour activer ou désactiver la fonction de congélation rapide. Lorsque vous activez la fonction, le compartiment congélateur sera refroidi à une température inférieure à la valeur de consigne (•❏)

Pour activer et désactiver le distributeur de glaçons, maintenez le bouton enfoncé pendant 3 secondes (uniquement sur les produits avec la machine Icematic). ❏

Utilisez la fonction de congélation rapide lorsque vous souhaitez congeler rapidement les aliments placés dans le compartiment réfrigérateur. Si vous souhaitez congeler de grandes quantités d'aliments, nous vous recommandons d'activer cette fonction au préalable.

❏ Après 25 heures de temps ou lorsque le compartiment réfrigérateur atteint la température souhaitée, la fonction de congélation rapide s'annulera automatiquement si vous ne le faites pas.

❏ Cette fonction n'est pas reprise lorsque le courant est rétabli après une panne de courant.

Système de réfrigération Dual :

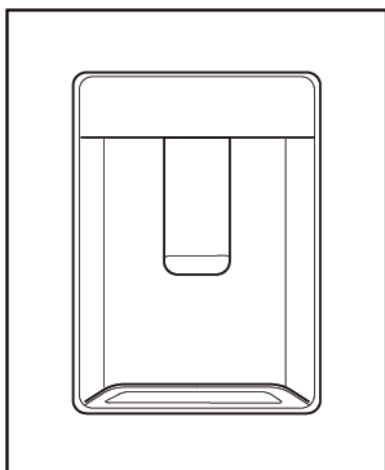
Votre réfrigérateur est équipé de deux systèmes de réfrigération séparés destinés à refroidir le compartiment des aliments frais et le compartiment de congélation du réfrigérateur. Ainsi, l'air du compartiment des produits frais et l'air du compartiment de congélation ne sont pas mélangés.

Grâce à ce système de réfrigération séparée, les vitesses de réfrigération sont beaucoup plus élevées que pour des réfrigérateurs classiques. Par ailleurs, les odeurs des compartiments ne sont pas mélangées. Par ailleurs, une économie d'énergie supplémentaire est fournie car la décongélation se fait individuellement.

Distributeur d'eau

*en option

Cette fontaine est très important pour obtenir de l'eau fraîche sans avoir à ouvrir la porte de votre réfrigérateur. Comme vous n'aurez pas à ouvrir fréquemment la porte de votre réfrigérateur, cela vous permettra d'économiser de l'énergie.



Utilisation du distributeur

Appuyez sur le bouton de la fontaine avec votre verre. La fontaine cessera de fonctionner lorsque vous aurez relâché le bouton.

Pendant le fonctionnement de la fontaine, vous pouvez obtenir une quantité maximale en appuyant à fond sur le bouton. N'oubliez pas que la quantité de liquide obtenue est fonction du degré d'appui que vous exercez sur le bouton.

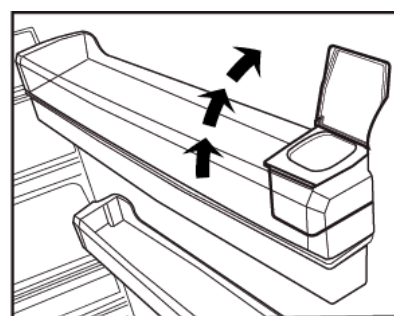
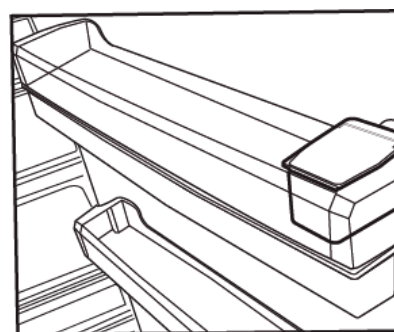
A mesure que le niveau d'eau de votre tasse / verre augmente, réduisez doucement la quantité de pression du bouton pour éviter tout risque de débordement. Si vous appuyez légèrement sur le bouton, l'eau s'écoulera ; ce phénomène est tout à fait normal et n'est pas un dysfonctionnement.

Remplir le réservoir d'eau de la fontaine frigorifique

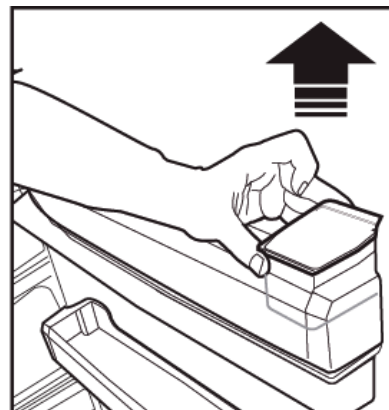
Le réservoir d'approvisionnement en eau se trouve dans le balconnet de la porte. Vous pouvez ouvrir le couvercle du réservoir et remplir celui-ci d'eau potable. Refermez ensuite le couvercle.

Avertissement !

- Ne remplissez pas le réservoir avec un liquide autre que de l'eau des boissons gazeuses, alcooliques, jus de fruits ou autres ne sont pas adaptés pour être utilisés avec le distributeur d'eau. Si de tels liquides sont utilisés, le distributeur connaîtra un dysfonctionnement et peut être profondément endommagé. La garantie ne couvre pas de telles utilisations. Certaines substances chimiques et certains additifs contenus dans de telles boissons / breuvages peuvent également endommager le réservoir d'eau.

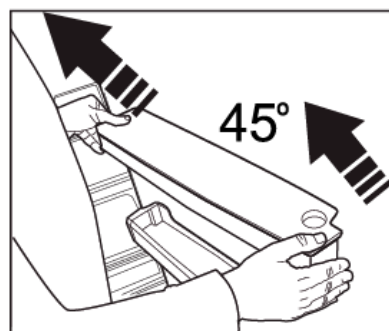
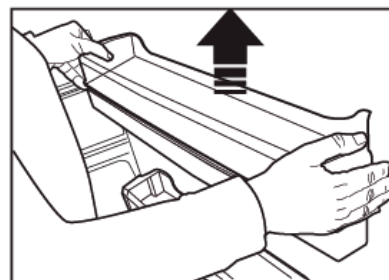


- Utilisez uniquement de l'eau potable propre.
- La capacité du réservoir est de 3 litres; ne dépassez pas la limite.
- Appuyez sur le bouton de la fontaine avec votre verre. Si vous utilisez une tasse jetable, poussez le bouton avec vos doigts à partir de l'arrière de la tasse.



Nettoyer le réservoir d'eau

- Retirez le réservoir d'approvisionnement en eau du balconnet de la porte.
- Retirez le balconnet de la porte en le tenant par les deux côtés.
- Tenez le réservoir par ses deux côtés et retirez-le selon un angle de 45 degrés.
- Retirez le couvercle afin de nettoyer le réservoir.



Important :

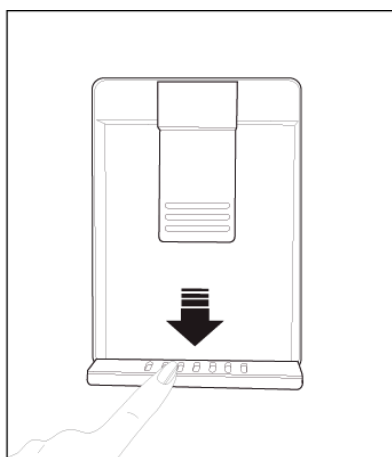
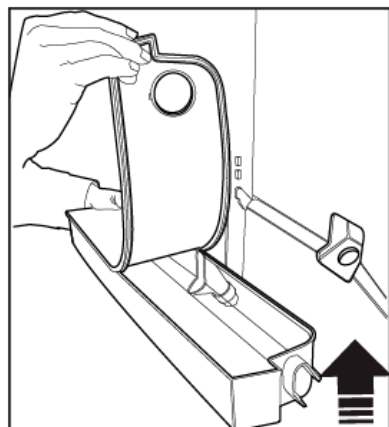
Le réservoir d'eau et les composants du distributeur d'eau ne peuvent pas être passés au lave-vaisselle.

Bac à eau

L'eau qui s'écoule lors de l'utilisation du distributeur d'eau s'accumule dans le bac de dégivrage.

Retirez la crépine en plastique comme sur le schéma.

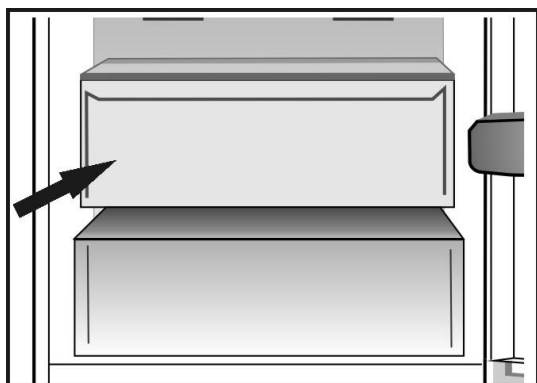
Essuyez l'excédent d'eau à l'aide d'un chiffon propre et sec.



Compartiment de conservation des denrées périssables (température basse \ -2°C - +3°C).

Ce compartiment a été conçu pour stocker les aliments congelés, qui peuvent être dégivrés lentement (viande, poisson, poulet, etc.) selon les besoins. Le compartiment à basse température est le coin le plus froid du réfrigérateur où les produits laitiers (fromage, beurre), la viande, le poisson ou le poulet peuvent être conservés dans des conditions idéales de stockage.

Les fruits et/ou légumes ne doivent pas être conservés dans ce compartiment.



Bac à légumes à humidité contrôlée (En option)

Grâce à la fonction de contrôle de l'humidité, la quantité d'humidité de légumes et de fruits est maintenue sous contrôle. Cette fonction assure également une période de fraîcheur prolongée pour les aliments.

Il est recommandé de ne pas conserver les légumes à feuilles vertes, tels que les feuilles de laitue, les épinards, ainsi que les légumes similaires générant une perte d'humidité, sur leurs racines, mais en position horizontale dans le bac à légumes, autant que possible.

Lorsque vous stockez les légumes, placez les légumes lourds et durs au fond du bac et les légumes légers et doux au-dessus, en tenant compte des poids spécifiques de légumes.

Ne placez pas les légumes dans le bac à légumes lorsqu'ils sont encore dans les sacs en plastique. Lorsque vous les laissez dans les sacs en plastique, ces légumes pourrissent en un laps de temps. En cas de mélange de légumes non recommandé, utilisez des matériaux d'emballage tels que le papier qui possède une certaine porosité en termes d'hygiène.

Évitez de placer des fruits qui ont une production de gaz à haute teneur en éthylène tels que la poire, l'abricot, la pêche et en particulier la pomme dans le même bac à légumes que d'autres légumes et fruits. Le gaz d'éthylène provenant de ces fruits pourrait accélérer la maturité d'autres légumes et fruits qui pourraient pourrir en un laps de temps.

Congélation d'aliments frais

- Enveloppez ou couvrez vos aliments avant de les placer au réfrigérateur.
- Laissez refroidir les aliments à la température ambiante avant de les introduire dans le réfrigérateur.
- Les denrées que vous souhaitez surgeler doivent être fraîches et en bon état.
- Il est conseillé de séparer les denrées en portions en fonction des besoins quotidiens de votre famille ou par repas.
- Les denrées doivent être emballées hermétiquement afin d'éviter qu'elles ne s'assèchent, même si elles ne doivent être conservées qu'une courte période.
- Les matériaux servant à emballer vos denrées doivent résister au froid et à l'humidité, et doivent être hermétiques. Le matériau d'emballage de vos denrées doit être suffisamment épais et doit pouvoir être conservé sur une longue période. Dans le cas contraire, les denrées endurcies par la congélation pourraient perforer l'emballage. Il est essentiel pour l'emballage d'être bien fermé pour une conservation sécurisée de vos denrées.
- Les aliments congelés doivent être consommés immédiatement après leur décongélation et ils ne doivent pas être recongelés.

- Le fait d'introduire des aliments chauds dans le congélateur entraîne le fonctionnement du système de refroidissement en continu jusqu'à ce que les aliments soient entièrement congelés.
- Veuillez respecter les instructions suivantes afin d'obtenir les meilleurs résultats.

1. Ne congelez pas une quantité trop importante à la fois. La qualité des aliments est préservée de façon optimale lorsqu'ils sont entièrement congelés aussi rapidement que possible.
2. Faites particulièrement attention à ne pas mélanger les produits déjà congelés et les produits frais.
3. Assurez-vous que les aliments crus ne sont pas en contact avec les cuits dans le réfrigérateur.
4. Vous pouvez conserver le maximum d'aliments congelés sans recourir aux étagères du compartiment du congélateur. La consommation énergétique de votre appareil est enclenchée alors que le compartiment du congélateur est entièrement chargé sans utiliser les tiroirs.
5. Il est recommandé de placer les aliments au dessus de la clayette du congélateur pour une première congélation.

Informations concernant la congélation

Les denrées doivent être congelées le plus rapidement possible lorsqu'elles sont placées dans le congélateur, afin de préserver leur qualité.

La norme TSE exige (sous certaines conditions de mesures) que le réfrigérateur congèle au moins 4,5 kg de denrées par volume de 100 litres de congélation en moins de 24 heures, avec une température ambiante de 32°C et une température intérieure inférieure ou égale à -18°C.

Il n'est possible de conserver des denrées sur de longues périodes qu'avec des températures inférieures ou égales à -18°C.

Vous pouvez conserver la fraîcheur de vos denrées pendant plusieurs mois (à des températures inférieures ou égales à -18°C dans le surgélateur).

AVERTISSEMENT ! ⚠

- Il est conseillé de séparer les denrées en portions en fonction des besoins quotidiens de votre famille ou par repas.
- Les denrées doivent être emballées hermétiquement afin d'éviter qu'elles ne s'assèchent, même si elles ne doivent être conservées qu'une courte période.

Matériaux nécessaires à l'emballage :

- Bande adhésive résistant au froid
- Étiquette autocollante
- Élastiques en caoutchouc
- Stylo

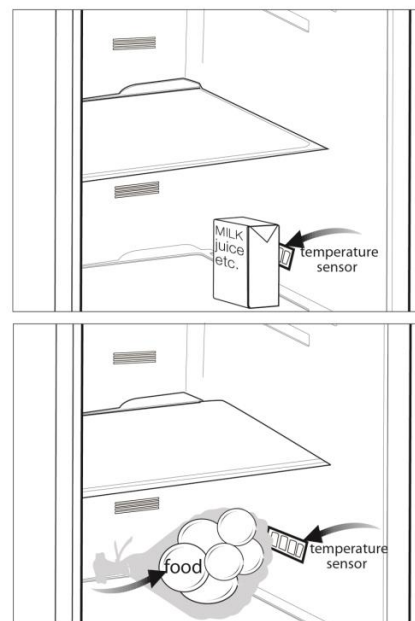
Les matériaux utilisés pour l'emballage des denrées doivent résister aux déchirures, au froid, à l'humidité, et doivent être imperméables aux odeurs, aux graisses et aux acides.

Il faut éviter que les denrées à congeler n'entrent en contact avec des aliments déjà congelés afin d'empêcher le dégel partiel de ces aliments. Les aliments décongelés doivent être consommés et ne pas être congelés à nouveau.

Recommandations relatives au compartiment des produits frais

*en option

- Faites attention à ce que les aliments ne touchent pas le capteur de température dans le compartiment des produits frais. Pour que le compartiment des produits frais conserve sa température idéale, le capteur ne doit pas être encombré par des aliments.
- Ne placez pas de denrées chaudes dans votre appareil.



Réglage du compartiment congélateur	Réglage du compartiment réfrigérateur	Explications
-18 C	4°C	Voici le réglage normal recommandé.
-20,-22 ou -24 C	4°C	Ces réglages sont recommandés lorsque la température ambiante dépasse 30 °C.
Congélation rapide	4°C	Cet indicateur est utilisé lorsque vous voulez congeler vos denrées pendant une courte période. Il est recommandé de l'utiliser pour maintenir la qualité des produits tels que la viande et le poisson.
-18°C ou plus froid	2°C	Si vous pensez que le compartiment de réfrigération n'est pas assez froid à cause de la chaleur ou des ouvertures / fermetures fréquentes de la porte.
-18°C ou plus froid	Réfrigération rapide	Vous pouvez utiliser ce réglage lorsque le compartiment de réfrigération est surchargé ou lorsque vous souhaitez refroidir rapidement vos denrées. Il est conseillé d'activer la fonction de réfrigération rapide pendant 4 à 8 heures de temps avant d'introduire les denrées.

Recommandations concernant la conservation des aliments congelés

- Les aliments vendus préemballés et surgelés doivent être conservés conformément aux instructions du fabricant de produits congelés, dans le compartiment destiné au stockage des produits congelés.

- Afin de veiller à ce que la qualité supérieure recherchée par le fabricant et le détaillant des produits congelés soit atteinte, il convient de se rappeler les points suivants :

1. Mettre les emballages dans le congélateur aussi rapidement que possible après achat.
2. Assurez-vous que le contenu emballé est correctement étiqueté et daté.
3. Ne dépassez pas les dates « à consommer jusqu'au » et « à consommer de préférence avant le » figurant sur l'emballage.

Dégivrage

Le compartiment congélateur se dégivre automatiquement.

Disposition des denrées

Clayettes du compartiment congélation	Différentes denrées congelées comme de la viande, du poisson, des crèmes glacées, des légumes, etc.
Support à œufs	Œufs
Clayettes du compartiment de réfrigération	Nourriture dans des casseroles, assiettes couvertes et récipients fermés
Balconnets de la porte du compartiment de réfrigération	Produits ou boissons de petite taille et sous emballage (comme du lait, des jus de fruits ou de la bière)
Bac à légumes	Fruits et légumes
Compartiment Produits frais	Produits délicats (fromage, beurre, salami, etc.)

6 Entretien et nettoyage

- ⚠ N'utilisez jamais d'essence, de benzène ou de matériaux similaires pour le nettoyage.
- ⚠ Nous vous recommandons de débrancher l'appareil avant de procéder au nettoyage.
- ⚠ N'utilisez jamais d'ustensiles tranchants, savon, produit de nettoyage domestique, détergent et cirage pour le nettoyage.
- ℹ Utilisez de l'eau tiède pour nettoyer la carrosserie du réfrigérateur et séchez-la soigneusement à l'aide d'un chiffon.
- ℹ Utilisez un chiffon humide imbibé d'une solution composée d'une cuillère à café de bicarbonate de soude pour un demi litre d'eau pour nettoyer l'intérieur et séchez soigneusement.
- ⚠ Ne faites pas couler d'eau dans le logement de la lampe et dans d'autres éléments électriques.
- ⚠ En cas de non utilisation de votre réfrigérateur pendant une période prolongée, débranchez le câble d'alimentation, sortez toutes les denrées, nettoyez-le et laissez la porte entrouverte.
- ℹ Inspectez les joints de porte régulièrement pour vérifier qu'ils sont propres et qu'il n'y a pas de particules de nourriture.
- ⚠ Pour retirer les balconnets de portes, sortez tout son contenu puis poussez simplement le balconnet vers le haut à partir de la base.

- ⚠ N'utilisez jamais de produits nettoyants ou de l'eau contenant du chlore pour le nettoyage des surfaces externes et des pièces chromées du produit. Le chlore entraîne la corrosion de ces surfaces métalliques.

Protection des surfaces en plastique.

- ℹ Ne placez pas d'huiles ou de plats huileux dans le réfrigérateur dans des récipients non fermés, car les graisses peuvent endommager les surfaces en plastique du réfrigérateur. Si vous versez ou éclaboussez de l'huile sur les surfaces en plastique, nettoyez et lavez les parties souillées avec de l'eau chaude immédiatement.

7 Dépannage

Veillez vérifier la liste suivante avant d'appeler le service après-vente. Cela peut vous faire économiser du temps et de l'argent. Cette liste regroupe les problèmes les plus fréquents ne provenant pas d'un défaut de fabrication ou d'utilisation du matériel. Il se peut que certaines des fonctions décrites ne soient pas présentes sur votre produit.

Le réfrigérateur ne fonctionne pas.

- La fiche n'est pas insérée correctement dans la prise de courant. >>>Insérez correctement la fiche dans la prise de courant.
- Est-ce que le fusible ou la douille de raccord du réfrigérateur sont connectés ou est-ce que le fusible principal a sauté ? >>>Vérifiez le fusible.

Condensation sur la paroi intérieure du compartiment réfrigérateur. (MULTIZONE, COOL CONTROL et FLEXI ZONE).

- La température ambiante est très froide >>>N'installez pas le réfrigérateur dans des endroits où la température peut être inférieure à 10 °C.
- La porte a été ouverte souvent. >>>Évitez d'ouvrir et de fermer trop fréquemment la porte du réfrigérateur.
- L'environnement est très humide. >>>N'installez pas votre réfrigérateur dans des endroits très humides.
- La nourriture contenant du liquide est conservée dans des récipients ouverts. >>>Ne conservez pas de la nourriture contenant du liquide dans des récipients ouverts.
- La porte du réfrigérateur est laissée entrouverte. >>>Fermez la porte du réfrigérateur.
- Le thermostat est réglé à un niveau très froid. >>>Réglez le thermostat à un niveau adapté.

Le compresseur ne fonctionne pas.

- Le dispositif de protection thermique du compresseur sautera en cas de coupures soudaines du courant ou de débranchement intempestif, en effet la pression du liquide réfrigérant du système de refroidissement ne sera pas équilibrée. Le réfrigérateur recommencera à fonctionner normalement après 6 minutes environ. Veuillez contacter le service après-vente si le réfrigérateur ne redémarre pas après cette période.
- Le réfrigérateur est en mode de dégivrage. >>>Cela est normal pour un réfrigérateur à dégivrage semi-automatique. Le cycle de dégivrage se déclenche régulièrement.
- Le réfrigérateur n'est pas branché à la prise. >>>Assurez-vous que la prise est branchée dans la prise murale.
- Les réglages de température ne sont pas effectués correctement. >>>Sélectionnez la température appropriée.
- Il y a une panne de courant. >>>Le réfrigérateur recommence à fonctionner normalement après le retour du courant.

Le niveau sonore augmente lorsque le réfrigérateur est en marche.

- Les caractéristiques de performance du réfrigérateur peuvent changer en raison des variations de la température ambiante. Cela est normal et n'est pas un défaut.

Le réfrigérateur fonctionne fréquemment ou pendant de longues périodes.

- Votre nouveau réfrigérateur est peut être plus large que l'ancien. Les grands réfrigérateurs durent plus longtemps.
- La température de la pièce est probablement **élevée**. >>>Il est normal que l'appareil fonctionne plus longtemps quand la température ambiante est élevée.
- Le réfrigérateur pourrait y avoir été branché tout récemment ou pourrait avoir été chargé de denrées alimentaires.
>>>Quand le réfrigérateur a été branché ou récemment rempli avec de la nourriture, il met plus de temps à atteindre la température réglée. Ce phénomène est normal.
- D'importantes quantités de denrées chaudes ont peut être été introduites dans le réfrigérateur récemment. >>>Ne mettez pas de nourriture chaude dans le réfrigérateur.
- Les portes ont peut être été ouvertes fréquemment ou laissées entrouvertes pendant une durée prolongée. >>>L'air chaud qui entre dans l'appareil oblige le réfrigérateur à travailler sur de plus longues périodes. N'ouvrez pas les portes fréquemment.
- La porte du congélateur ou du réfrigérateur est probablement entrouverte. >>>Vérifiez que les portes sont bien fermées.
- Le réfrigérateur est réglé à une température très basse. >>>Réglez la température du réfrigérateur à un degré supérieur et attendez que la température réglée soit atteinte.
- Le joint de la porte du réfrigérateur ou du congélateur peut être sale, déchiré, rompu ou mal en place. >>>Nettoyez ou remplacez le joint. Tout joint endommagé/déchiré fait fonctionner le réfrigérateur pendant une période de temps plus longue afin de conserver la température actuelle.

La température du congélateur est très basse alors que celle du réfrigérateur est correcte.

- La température du congélateur est réglée à une température très basse. >>>Réglez la température du congélateur à un degré supérieur et vérifiez.

La température du réfrigérateur est très basse alors que celle du congélateur est correcte.

- La température du réfrigérateur est réglée à une température très basse. >>>Réglez la température du réfrigérateur à un degré supérieur et vérifiez.

Les denrées conservées dans les tiroirs du compartiment de réfrigération sont congelées.

- La température du réfrigérateur est réglée à une température très élevée. >>>Réglez la température du réfrigérateur à un niveau inférieur et vérifiez.

La température dans le réfrigérateur ou le congélateur est très élevée.

- La température du réfrigérateur est réglée à une température très élevée. >>>Le réglage du compartiment réfrigérant a un effet sur la température du congélateur. Changez les températures du réfrigérateur ou du congélateur et attendez que les compartiments atteignent une température suffisante.
- Les portes ont peut être été ouvertes fréquemment ou laissées entrouvertes pendant une durée prolongée. >>>N'ouvrez pas les portes fréquemment.
- La porte est entrouverte. >>>Refermez complètement la porte.
- Le réfrigérateur a été récemment branché ou rempli avec de la nourriture. >>>Ce phénomène est normal.
Lorsque le réfrigérateur vient d'être branché ou récemment rempli avec de la nourriture, il met plus de temps à atteindre la température réglée.
- D'importantes quantités de denrées chaudes ont peut être été introduites dans le réfrigérateur récemment. >>>Ne mettez pas de nourriture chaude dans le réfrigérateur.

Vibrations ou bruits
<ul style="list-style-type: none"> • Le sol n'est pas plat ou stable. >>>Si le réfrigérateur balance lorsqu'il est déplacé lentement, équilibrez-le en ajustant sa base. Assurez-vous que le sol est plat et suffisamment solide pour supporter le poids et le volume de l'appareil. • Les éléments placés sur le réfrigérateur peuvent faire du bruit. >>>Enlevez les éléments du haut du réfrigérateur.
Le réfrigérateur produit des bruits semblables à de l'eau qui coule, à la pulvérisation d'un liquide, etc.
<ul style="list-style-type: none"> • Des écoulements de gaz et de liquides surviennent dans le réfrigérateur, de par ses principes de fonctionnement Cela est normal et n'est pas un défaut.
Un sifflement sort du réfrigérateur.
<ul style="list-style-type: none"> • Les ventilateurs sont utilisés pour refroidir le réfrigérateur. Cela est normal et n'est pas un défaut.
Condensation sur les parois intérieures du réfrigérateur.
<ul style="list-style-type: none"> • Un temps chaud et humide augmente la formation de givre et de condensation. Cela est normal et n'est pas un défaut. • Les portes ont peut être été ouvertes fréquemment ou laissées entrouvertes pendant une durée prolongée. >>>N'ouvrez pas les portes fréquemment. Refermez-les si elles sont ouvertes. • La porte est entrouverte. >>>Refermez complètement la porte.
De l'humidité est présente à l'extérieur ou entre les portes du réfrigérateur.
<ul style="list-style-type: none"> • Il y a peut être de l'humidité dans l'air ; ceci est tout à fait normal par un temps humide. Lorsque l'humidité est faible, la condensation disparaîtra.
Présence d'une mauvaise odeur dans le réfrigérateur.
<ul style="list-style-type: none"> • Il n'y a pas de nettoyage régulier effectué. >>>Nettoyez régulièrement l'intérieur du réfrigérateur avec une éponge, de l'eau tiède ou du carbonate dissout dans l'eau. • Certains récipients ou matériaux d'emballage peuvent provoquer ces odeurs. >>>Utilisez un autre récipient ou changez de marque de matériau d'emballage. • Les denrées sont mises au réfrigérateur dans des récipients sans couvercle. >>>Conservez les aliments liquides dans des récipients fermés. Les micro-organismes issus de récipients non fermés peuvent dégager des odeurs désagréables. • Enlevez les aliments périmés et pourris du réfrigérateur.
La porte ne se ferme pas.
<ul style="list-style-type: none"> • Des récipients empêchent la fermeture de la porte. >>>Retirez les emballages qui obstruent la porte. • Le réfrigérateur n'est pas complètement vertical sur le sol. >>>Ajustez les pieds du réfrigérateur pour l'équilibrer. • Le sol n'est pas plat ou solide. >>>Assurez-vous que le sol est plat et qu'il peut supporter le poids du réfrigérateur.
Les bacs à légumes sont coincés.
<ul style="list-style-type: none"> • Il se peut que les denrées touchent le haut du tiroir. >>>Disposez à nouveau les denrées dans le tiroir.

Bitte lesen Sie zuerst diese Anleitung!

Liebe Kundin, lieber Kunde,

Wir sind sicher, dass Ihnen dieses Produkt, das in modernsten Fertigungsstätten hergestellt und strengsten Qualitätsprüfungen unterzogen wurde, lange Zeit gute Dienste leisten wird.

Lesen Sie bitte die gesamte Bedienungsanleitung gründlich durch, bevor Sie das Gerät benutzen. Bewahren Sie die Anleitung auf, damit Sie später darin nachlesen können. Falls Sie das Gerät an jemand anderen weitergeben, vergessen Sie nicht, diese Bedienungsanleitung ebenfalls beizulegen.




Diese Bedienungsanleitung hilft Ihnen, Ihr neues Gerät schnell und sicher zu bedienen.

- Lesen Sie die Anleitung, bevor Sie Ihr Gerät aufstellen und bedienen.
- Beachten Sie die Sicherheitshinweise.
- Bewahren Sie die Anleitung an einem leicht zugänglichen Ort auf, damit Sie jederzeit darin nachschlagen können.
- Lesen Sie auch weitere mit dem Gerät gelieferte Dokumente.

Bitte beachten Sie, dass diese Bedienungsanleitung für verschiedene Modelle gilt. Unterschiede zwischen den verschiedenen Modellen werden natürlich in der Anleitung erwähnt.

Erklärung der Symbole

In der Bedienungsanleitung verwenden wir folgende Symbole:

-  Wichtige Informationen oder nützliche Tipps.
-  Warnung vor Verletzungen oder Beschädigungen.
-  Warnung vor elektrischem Strom.



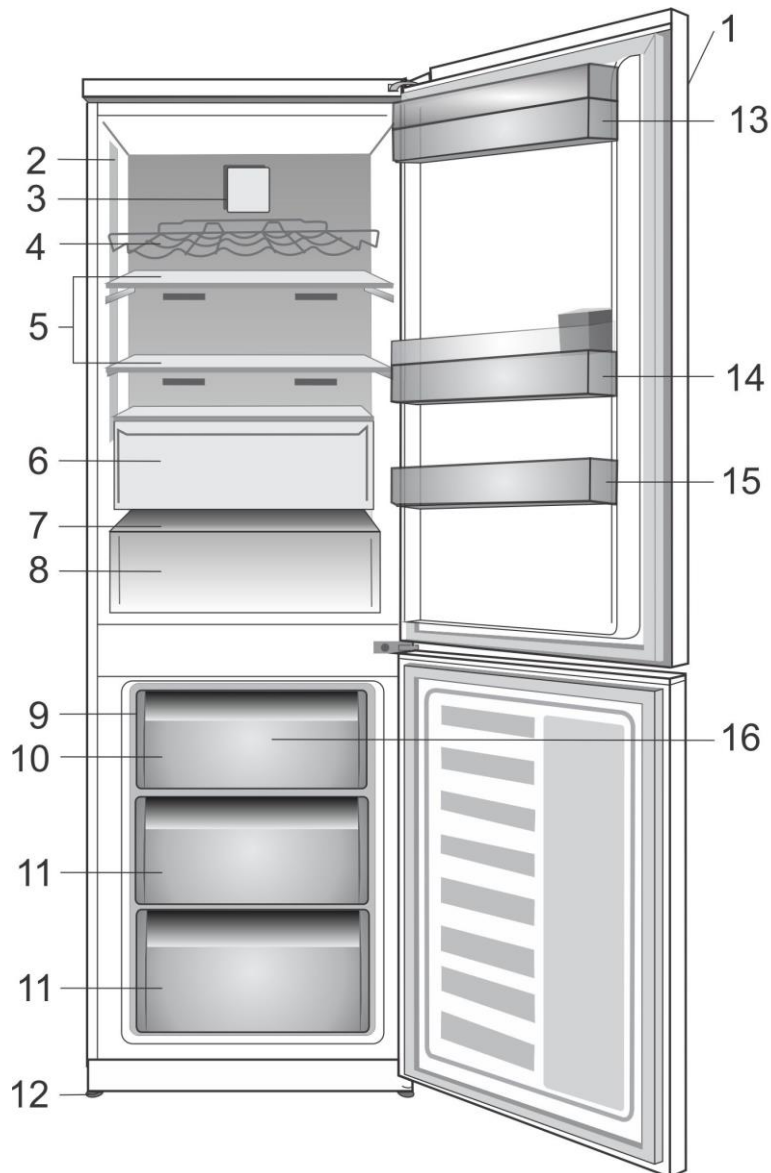
WARNUNG!

Ihr Gerät verwendet ein umweltverträgliches Kältemittel, R600a (nur unter bestimmten Umständen brennbar). Um einen einwandfreien Betrieb Ihres Gerätes sicherzustellen, beachten Sie bitte folgende Vorschriften:

- ♦ Die Luftzirkulation um das Gerät darf nicht behindert sein.
- ♦ Verwenden Sie außer der vom Hersteller empfohlenen, keine mechanischen Hilfsmittel, um den Abtauprozess zu beschleunigen.
- ♦ Der Kältemittelkreislauf darf nicht beschädigt werden.
- ♦ Verwenden Sie im Lebensmittelaufbewahrungsbereich Ihres Gerätes keine elektrischen Geräte, es sei denn, sie sind vom Hersteller empfohlen.

<u>1 Ihr Kühlschrank</u>	3	<u>4 Vorbereitung</u>	10
<u>2 Wichtige Hinweise zu Ihrer Sicherheit</u>	4	<u>5 So nutzen Sie Ihren Kühlschrank</u>	11
Bestimmungsgemäßer Einsatz.....	4	Anzeigetafel	11
Allgemeine Hinweise zu Ihrer Sicherheit	4	Doppeltes Kühlsystem	13
Bei Geräten mit einem Wasserspender	6	So benutzen Sie den Wasserspender	14
Sicherheit von Kindern	6	Fach zur Aufbewahrung verderblicher Lebensmittel	16
Konformität mit der WEEE-Richtlinie zur Entsorgung von Altgeräten	6	Feuchtigkeitsreguliertes Gemüsefach.....	16
Hinweise zur Verpackung.....	7	Frische Lebensmittel tiefkühlen	16
Wichtige Hinweise zum Kältemittel...	7	Hinweise zum Tiefkühlen	17
Tipps zum Energiesparen.....	7	Empfehlungen zur Konservierung gefrorener Lebensmittel.....	17
<u>3 Installation</u>	8	Empfehlungen zum Kühlbereich (für frische Lebensmittel)	18
Wenn Sie den Kühlschrank versetzen möchten	8	Abtauen.....	18
Vor dem Einschalten	8	Lebensmittel platzieren.....	18
Elektrischer Anschluss	8	<u>6 Reinigung und Pflege</u>	19
Verpackungsmaterialien entsorgen..	9	Kunststoffflächen schützen.....	19
Altgeräte entsorgen	9	<u>7 Problemlösung</u>	20
Aufstellung und Installation.....	9		
Beleuchtung auswechseln.....	9		
Wechseln des Türanschlags	9		
Füße einstellen	9		

1 Ihr Kühlschrank



- | | |
|-----------------------------------|---|
| 1. Bedienfeld | 10. Schnelltiefkühlfach |
| 2. Innenbeleuchtung | 11. Fächer zur Lagerung gefrorener Lebensmittel |
| 3. Frischlebensmittellüfter | 12. Einstellbare Füße an der Vorderseite |
| 4. Weinflaschenhalter | 13. Bereich für Milchprodukte |
| 5. Verstellbare Ablagen | 14. Vaserspender |
| 6. Null-Grad-Fach | 15. Ablage |
| 7. Gemüsefachabdeckung | 16. Tiefkühlflüster |
| 8. Gemüsefach | |
| 9. Eisschalenhalter und Eisschale | |

i Abbildungen und Angaben in dieser Anleitung sind schematisch und können etwas von Ihrem Produkt abweichen. Falls Teile nicht zum Lieferumfang des erworbenen Gerätes zählen, gelten sie für andere Modelle.

2 Wichtige Sicherheitshinweise

Bitte lesen Sie die folgenden Hinweise aufmerksam durch.

Bei Nichtbeachtung dieser Angaben kann es zu Verletzungen und Sachschäden kommen.

In diesem Fall erlöschen auch sämtliche Garantie- und sonstigen Ansprüche.

Originalersatzteile stehen für einen Zeitraum von 10 Jahren ab Kaufdatum zur Verfügung.

Bestimmungsgemäßer Einsatz

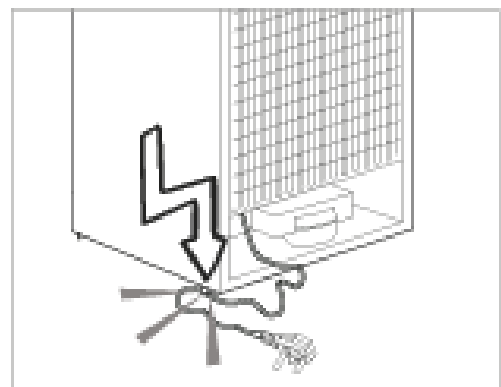
- Dieses Produkt dient dem Einsatz in Innenräumen und in geschlossenen Bereichen wie z.B. Haushalten;
- geschlossenen Arbeitsbereichen, wie Läden und Büros;
- geschlossenen Unterkunftsbereichen, wie Bauernhöfen, Hotels und Pensionen.
- Das Gerät sollte nicht im Freien benutzt werden.

Allgemeine Hinweise zu Ihrer Sicherheit

- Wenn Sie das Gerät entsorgen möchten, wenden Sie sich am besten an den autorisierten Kundendienst. Hier erhalten Sie notwendige Informationen und erfahren, welche Stellen für die Entsorgung zuständig sind.
- Bei Problemen und Fragen zum Gerät wenden Sie sich grundsätzlich an den autorisierten Kundendienst. Ziehen Sie keine Dritten zu Rate, versuchen Sie nichts in Eigenregie, ohne den autorisierten Kundendienst davon in Kenntnis zu setzen.
- Produkte mit Tiefkühlbereich: Der Verzehr von Speiseeis und Eiswürfeln unmittelbar nach der Entnahme aus dem Tiefkühlbereich ist nicht ratsam. (Dies kann zu Erfrierungen im Mund führen.)

- Bei Geräten mit Tiefkühlbereich: Bewahren Sie Getränke in Flaschen sowie Dosen niemals im Tiefkühlbereich auf. Andernfalls können diese platzen.
- Berühren Sie gefrorene Lebensmittel nicht mit der Hand; sie können festfrieren.
- Trennen Sie Ihren Kühlschrank vor dem Reinigen oder Abtauen vom Stromnetz.
- Verwenden Sie niemals Dampf- oder Sprühreiniger zum Reinigen und Abtauen Ihres Kühlschranks. Die Dämpfe oder Nebel können in Kontakt mit stromführenden Teilen geraten und Kurzschlüsse oder Stromschläge auslösen.
- Missbrauchen Sie niemals Teile Ihres Kühlschranks (z. B. Tür) als Befestigungen oder Kletterhilfen.
- Nutzen Sie keine elektrischen Geräte innerhalb des Kühlschranks.
- Achten Sie darauf, den Kühlkreislauf keinesfalls mit Bohr- oder Schneidwerkzeugen zu beschädigen. Das Kühlmittel kann herauspritzen, wenn die Gaskanäle des Verdunsters, Rohr- und Schlauchleitungen oder Oberflächenversiegelungen beschädigt werden. Dies kann zu Hautreizungen und Augenverletzungen führen.
- Decken Sie keinerlei Belüftungsöffnungen des Kühlschranks ab.
- Elektrische Geräte dürfen nur von autorisierten Fachkräften repariert werden. Reparaturen durch weniger kompetente Personen können erhebliche Gefährdungen des Anwenders verursachen.

- Sollten Fehler oder Probleme während der Wartung oder Reparaturarbeiten auftreten, so trennen Sie den Kühlschrank von der Stromversorgung, indem Sie die entsprechende Sicherung abschalten oder den Netzstecker ziehen.
- Ziehen Sie niemals am Netzkabel – ziehen Sie direkt am Stecker.
- Lagern Sie hochprozentige alkoholische Getränke gut verschlossen und aufrecht.
- Bewahren Sie niemals Sprühdosen mit brennbaren und explosiven Substanzen im Kühlschrank auf.
- Nutzen Sie keine mechanischen oder anderen Hilfsmittel, um das Gerät abzutauen – es sei denn, solche Hilfsmittel werden ausdrücklich vom Hersteller empfohlen.
- Dieses Produkt darf nicht von Personen (einschließlich Kindern) mit eingeschränkten physischen, sensorischen oder geistigen Fähigkeiten bedient werden, sofern sie nicht durch eine Person, die für ihre Sicherheit verantwortlich ist, in der Bedienung des Produktes angeleitet werden.
- Nehmen Sie einen beschädigten Kühlschrank nicht in Betrieb. Wenden Sie sich bei jeglichen Zweifeln an einen Kundendienstmitarbeiter.
- Die elektrische Sicherheit des Gerätes ist nur dann gewährleistet, wenn das hausinterne Erdungssystem den zutreffenden Normen entspricht.
- Setzen Sie das Gerät keinem Regen, Schnee, direktem Sonnenlicht oder Wind aus; dies kann die elektrische Sicherheit gefährden.
- Wenden Sie sich zur Vermeidung von Gefahren an den autorisierten Kundendienst, falls das Netzkabel beschädigt ist.
- Stecken Sie während der Installation niemals den Netzstecker ein. Andernfalls kann es zu schweren bis tödlichen Verletzungen kommen.
- Dieser Kühlschrank dient nur der Aufbewahrung von Lebensmitteln. Für andere Zwecke sollte er nicht verwendet werden.
- Das Etikett mit den technischen Daten befindet sich an der linken Innenwand des Kühlschranks.
- Schließen Sie Ihren Kühlschrank niemals an energiesparende Systeme an; dies kann den Kühlschrank beschädigen.
- Falls der Kühlschrank über ein blaues Licht verfügt, blicken Sie nicht mit optischen Werkzeugen in das blaue Licht.
- Bei manuell gesteuerten Kühlschränken warten Sie mindestens 5 Minuten, bevor Sie den Kühlschrank nach einem Stromausfall wieder einschalten.
- Falls Sie das Gerät an einen anderen Besitzer weitergeben, vergessen Sie nicht, die Bedienungsanleitung ebenfalls auszuhändigen.
- Achten Sie darauf, dass das Netzkabel beim Transport des Kühlschranks nicht beschädigt wird. Übermäßiges Biegen des Kabels birgt Brandgefahr. Platzieren Sie keine schweren Gegenstände auf dem Netzkabel.
- Berühren Sie den Netzstecker niemals mit feuchten oder gar nassen Händen.



- Schließen Sie den Kühlschrank nicht an lose Steckdosen an.
- Sprühen Sie aus Sicherheitsgründen niemals Wasser auf die Innen- und Außenflächen des Gerätes.

- Sprühen Sie keine Substanzen mit brennbaren Gasen, wie z. B. Propangas, in die Nähe des Kühlschranks; andernfalls bestehen Brand- und Explosionsgefahr.
- Stellen Sie keine mit Wasser gefüllten Gegenstände auf den Kühlschrank; dies birgt Brand- und Stromschlaggefahr.
- Überladen Sie das Gerät nicht mit Lebensmitteln. Wenn das Gerät überladen ist, können beim Öffnen der Kühlschranktür Lebensmittel herausfallen und Verletzungen verursachen.
- Stellen Sie keinesfalls Gegenstände auf den Kühlschrank; sie könnten beim Öffnen oder Schließen der Kühlschranktür herunterfallen.
- Materialien wie beispielsweise Impfstoffe, wärmeempfindliche Arznei, wissenschaftliche Proben usw. sollten nicht im Kühlschrank aufbewahrt werden, da sie bei exakt festgelegten Temperaturen gelagert werden müssen.
- Trennen Sie den Kühlschrank vom Stromnetz, wenn er längere Zeit nicht benutzt wird. Ein mögliches Problem im Netzkabel kann einen Brand auslösen.
- Die Steckerkontakte sollten regelmäßig mit einem trockenen Tuch gereinigt werden; andernfalls besteht Brandgefahr.
- Wenn die höhenverstellbaren Füße nicht sicher auf dem Boden stehen, kann sich der Kühlschrank bewegen. Die angemessene Sicherung der höhenverstellbaren Füße am Boden kann eine Bewegung des Kühlschranks verhindern.
- Halten Sie den Kühlschrank beim Tragen nicht am Türgriff. Andernfalls könnte er abbrechen.
- Wenn Sie Ihr Produkt neben einem anderen Kühl- oder Gefrierschrank aufstellen möchten, sollte der Abstand zwischen beiden Geräten mindestens 8 cm betragen. Andernfalls können die benachbarten Seitenwände feucht werden.

Bei Geräten mit einem Wasserspender


- Der Wasserdruck sollte mindestens 1 bar und höchstens 8 bar betragen.
- Nur Trinkwasser verwenden.

Sicherheit von Kindern

- Bei abschließbaren Türen bewahren Sie den Schlüssel außerhalb der Reichweite von Kindern auf.
- Achten Sie darauf, dass Kinder nicht mit dem Produkt spielen.

Konformität mit der WEEE-Richtlinie zur Entsorgung von Altgeräten



Das Symbol  Das Symbol @ am Produkt oder seiner Verpackung weist darauf hin, dass dieses Produkt nicht mit dem Hausmüll entsorgt werden darf. Stattdessen muss es bei einer geeigneten Sammelstelle zum Recycling elektrischer und elektronischer Altgeräte abgegeben werden. Durch ordnungsgemäße Entsorgung dieses Produktes tragen Sie dazu bei, negative Auswirkungen auf Umwelt und Gesundheit abzuwenden, die durch unsachgemäße Entsorgung dieses Produktes entstehen können. Detaillierte Informationen zum Recycling dieses Produktes erhalten Sie von Ihrer örtlichen Stadtverwaltung, Ihren Entsorgungsdiensten oder beim Händler, bei dem Sie das Produkt erworben haben.

Hinweise zur Verpackung

Die Verpackungsmaterialien des Gerätes wurden gemäß nationalen Umweltschutzbestimmungen aus recyclingfähigen Materialien hergestellt. Entsorgen Sie Verpackungsmaterialien nicht mit dem regulären Hausmüll oder anderen Abfällen. Bringen Sie Verpackungsmaterialien zu geeigneten Sammelstellen; Ihre Stadtverwaltung berät Sie gern.

Nicht vergessen!

Recycelte Materialien leisten einen wichtigen Beitrag zu einer schönen und gesunden Umwelt.

Wenn Sie zur Wiederverwertung von Verpackungsmaterialien beitragen möchten, informieren Sie sich bei Ihren Umweltschutzbehörden oder der Stadtverwaltung, wo entsprechende Sammelstellen zu finden sind.

HCA-Warnung

Falls das Kühlsystem Ihres Produktes R600a enthält:

Dieses Gas ist leicht entflammbar. Achten Sie also darauf, Kühlkreislauf und Leitungen während Betrieb und Transport nicht zu beschädigen. Bei Beschädigungen halten Sie das Produkt von potenziellen Zündquellen (z. B. offenen Flammen) fern und sorgen für eine gute Belüftung des Raumes, in dem das Gerät aufgestellt wurde.

Die Art des im Gerät eingesetzten Gases wird auf dem Typenschild an der linken Innenwand des Kühlschranks angegeben.

Entsorgen Sie das Produkt keinesfalls durch Verbrennen.

Tipps zum Energiesparen

- Halten Sie die Kühlschranktüren nur möglichst kurz geöffnet.
- Geben Sie keine warmen Speisen oder Getränke in den Kühlschrank.
- Überladen Sie den Kühlschrank nicht; die Luft muss frei zirkulieren können.
- Stellen Sie den Kühlschrank nicht im direkten Sonnenlicht oder in der Nähe von Wärmequellen wie Öfen, Spülmaschinen oder Heizkörpern auf. Halten Sie den Kühlschrank mindestens 30 cm von Wärmequellen und mindestens 5 cm von elektrischen Öfen entfernt.
- Achten Sie darauf, Ihre Lebensmittel in verschlossenen Behältern aufzubewahren.
- Bei Geräten mit Tiefkühlbereich: Sie können noch mehr Lebensmittel einlagern, wenn Sie die Ablage oder Schublade aus dem Tiefkühlbereich herausnehmen. Der für Ihren Kühlschrank angegebene Energieverbrauch wurde nach dem Entfernen der Ablage oder Schublade und bei maximaler Beladung bestimmt. Ansonsten ist es Ihnen freigestellt, die Ablage oder Schublade zu verwenden.
- Das Auftauen von gefrorenen Lebensmitteln im Kühlbereich ist energiesparend und bewahrt die Qualität der Lebensmittel.

3 Installation

⚠ Der Hersteller haftet nicht, falls die Angaben in dieser Anleitung nicht berücksichtigt werden.

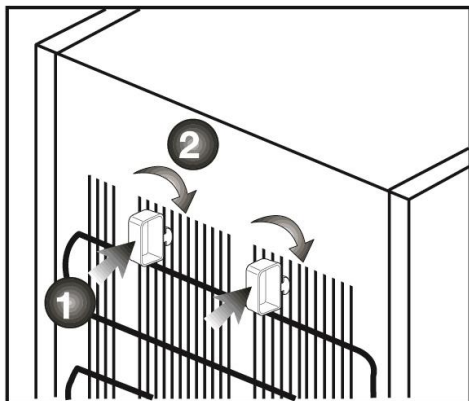
Wenn Sie den Kühlschrank versetzen möchten

1. Der Kühlschrank sollte vom Stromnetz getrennt, geleert und gesäubert werden, bevor Sie ihn transportieren oder versetzen.
2. Sichern Sie die beweglichen Teile im Inneren (z. B. Ablagen, Zubehör, Gemüsefach etc.) vor dem Verpacken mit Klebeband, schützen Sie solche Teile vor Stößen. Umwickeln Sie die Verpackung mit kräftigem Klebeband oder stabilen Schnüren, beachten Sie die Transporthinweise auf der Verpackung.
3. Originalverpackung und Schaumstoffmaterialien sollten zum zukünftigen Transport des Gerätes aufbewahrt werden.

Vor dem Einschalten

Beachten Sie Folgendes, bevor Sie Ihren Kühlschrank benutzen:

1. Bringen Sie die beiden Kunststoffkeile wie nachstehend abgebildet an. Die Kunststoffkeile sorgen für den nötigen Abstand zwischen Kühlschrank und Wand, damit die Luft frei zirkulieren kann. (Die Abbildung dient lediglich zur Orientierung und kann daher etwas von Ihrem Gerät abweichen.)



2. Reinigen Sie das Innere des Kühlschranks wie im Abschnitt „Wartung und Reinigung“ beschrieben.
3. Schließen Sie den Netzstecker des Kühlschranks an eine Steckdose an. Beim Öffnen der Tür leuchtet die Innenbeleuchtung auf.
4. Beim Anspringen des Kompressors sind Geräusche zu hören. Die Flüssigkeiten und Gase im Kühlsystem können auch leichte Geräusche erzeugen, wenn der Kompressor nicht läuft. Dies ist völlig normal.
5. Die Vorderkanten des Kühlgerätes können sich warm anfühlen. Dies ist völlig normal. Diese Bereiche wärmen sich etwas auf, damit sich kein Kondenswasser bildet.

Elektrischer Anschluss

Schließen Sie das Gerät an eine geerdete (Schuko-) Steckdose an. Diese Steckdose muss mit einer passenden Sicherung abgesichert werden.

Wichtig:

Der Anschluss muss gemäß lokalen Vorschriften erfolgen.

- Der Netzstecker muss nach der Installation frei zugänglich bleiben.
- Die elektrische Sicherheit des Gerätes ist nur dann gewährleistet, wenn das hausinterne Erdungssystem den zutreffenden Normen entspricht.
- Die auf dem Typenschild an der linken Innenwand des Gerätes angegebene Spannung muss mit Ihrer Netzspannung übereinstimmen.
- **Zum Anschluss dürfen keine Verlängerungskabel oder Mehrfachsteckdosen verwendet werden.**

⚠ Ein beschädigtes Netzkabel muss unverzüglich durch einen qualifizierten Elektriker ausgetauscht werden.

⚠ Das Gerät darf vor Abschluss der Reparaturen nicht mehr betrieben werden! Es besteht Stromschlaggefahr!

Verpackungsmaterialien entsorgen

Das Verpackungsmaterial kann eine Gefahr für Kinder darstellen. Halten Sie Verpackungsmaterialien von Kindern fern oder entsorgen Sie das Verpackungsmaterial gemäß gültigen Entsorgungsbestimmungen. Entsorgen Sie das Verpackungsmaterial über geeignete Sammelstellen (Ihre Stadtverwaltung informiert Sie gerne), nicht über den regulären Hausmüll. Die Verpackung Ihres Gerätes wurde aus recyclingfähigen Materialien hergestellt.

Altgeräte entsorgen

Entsorgen Sie Altgeräte auf umweltfreundliche Weise.

- Bei Fragen zur richtigen Entsorgung wenden Sie sich bitte an Ihren Händler, an eine Sammelstelle oder an Ihre Stadtverwaltung.

Bevor Sie das Gerät entsorgen, schneiden Sie den Netzstecker ab und machen die Türverschlüsse (sofern vorhanden) unbrauchbar, damit Kinder nicht in Gefahr gebracht werden.

Aufstellung und Installation

⚠ Falls die Tür des Raumes, in dem der Kühlschrank aufgestellt werden soll, nicht breit genug ist, wenden Sie sich an den autorisierten Kundendienst, lassen die Kühlschranktüren demontieren und befördern das Gerät seitlich durch die Tür.

1. Stellen Sie Ihren Kühlschrank an einer gut erreichbaren Stelle auf.
2. Platzieren Sie den Kühlschrank nicht in der Nähe von Wärmequellen oder dort, wo er Feuchtigkeit oder direktem Sonnenlicht ausgesetzt ist.
3. Damit das Gerät richtig arbeiten kann, müssen Sie ausreichend Platz um das Gerät herum freilassen, damit eine ordentliche Belüftung gewährleistet ist. Wenn Sie den Kühlschrank in einer Nische aufstellen, müssen Sie einen Abstand von mindestens 5 cm zur Decke und 5 cm zu den Wänden

einhalten. Stellen Sie das Gerät nicht auf Materialien wie Teppichen oder Teppichböden auf.

4. Stellen Sie Ihren Kühlschrank auf einem ebenen Untergrund auf, damit er nicht wackelt.

Beleuchtung auswechseln

Die Innenbeleuchtung Ihres Kühlschranks sollte ausschließlich vom autorisierten Kundendienst ausgetauscht werden.

Die Glühbirnen für dieses Haushaltsgerät sind für Beleuchtungszwecke nicht geeignet. Die beabsichtigte Aufgabe dieser Lampe ist es den Benutzer zu ermöglichen die Platzierung der Lebensmittel in den Kühlschrank / Eiskühltruhe sicher und bequem vorzunehmen.

Die in diesem Gerät verwendeten Lampen müssen extremen physikalischen Bedingungen, wie z. B. Temperaturen von -20°C , standhalten.

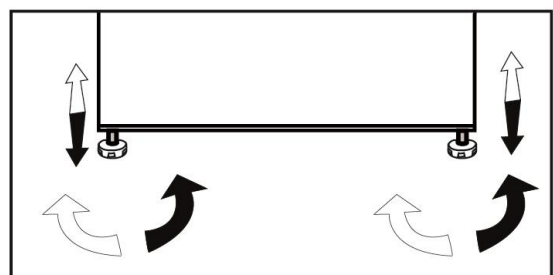
Wechseln des Türanschlags

Der Türanschlag (die Seite, auf der sich die Tür öffnet) kann je nach Aufstellungsort angepasst werden. Wenden Sie sich dazu bitte an den autorisierten Kundendienst in Ihrer Nähe.

Füße einstellen

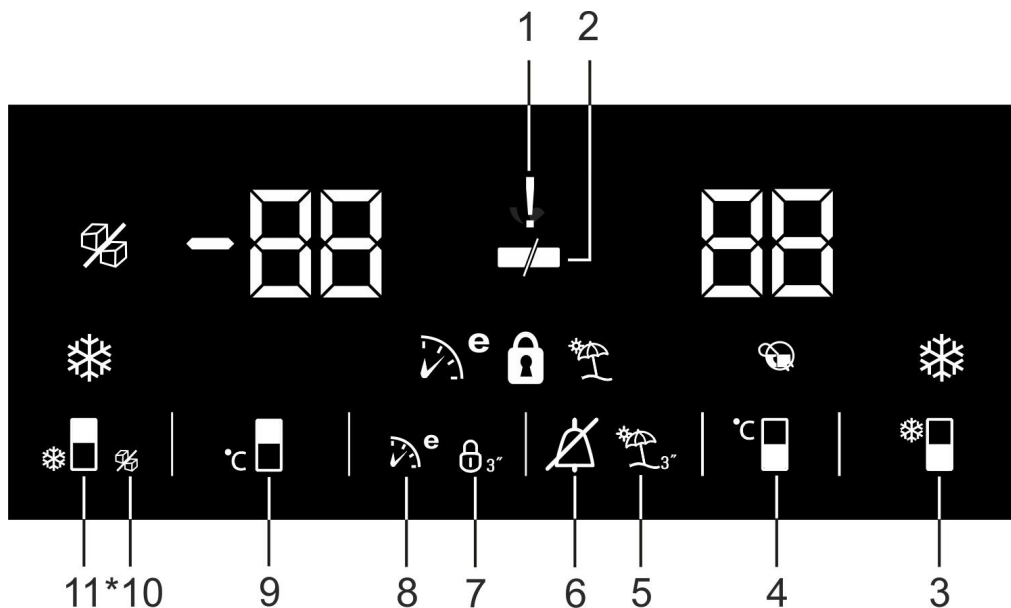
Wenn Ihr Kühlschrank nicht absolut gerade steht:

Sie können den Kühlschrank - wie in der Abbildung gezeigt - durch Drehen der Frontfüße ausbalancieren. Wenn Sie in Richtung des schwarzen Pfeils drehen, senkt sich die Ecke, an der sich der Fuß befindet. Beim Drehen in Gegenrichtung wird die Ecke angehoben. Diese Arbeit fällt erheblich leichter, wenn ein Helfer das Gerät etwas anhebt.



4 Vorbereitung

- Ihr Kühlschrank sollte mindestens 30 cm von Hitzequellen wie Kochstellen, Öfen, Heizungen, Herden und ähnlichen Einrichtungen aufgestellt werden. Halten Sie mindestens 5 cm Abstand zu Elektroöfen ein, vermeiden Sie die Aufstellung im direkten Sonnenlicht.
- Die Zimmertemperatur des Raumes, in dem der Kühlschrank aufgestellt wird, sollte mindestens 10 °C betragen. Im Hinblick auf den Wirkungsgrad ist der Betrieb des Kühlschranks bei geringerer Umgebungstemperatur nicht ratsam.
- Sorgen Sie dafür, dass das Innere Ihres Kühlschranks gründlich gereinigt wird.
- Falls zwei Kühlschränke nebeneinander aufgestellt werden sollen, achten Sie darauf, dass sie mindestens 2 cm voneinander entfernt platziert werden.
- Wenn Sie den Kühlschrank zum ersten Mal in Betrieb nehmen, halten Sie sich bitte an die folgenden Anweisungen für die ersten sechs Betriebsstunden.
- Die Kühlschranktür sollte nicht zu häufig geöffnet werden.
- Der Kühlschrank muss zunächst vollständig leer arbeiten.
- Ziehen Sie nicht den Netzstecker. Falls der Strom ausfallen sollte, beachten Sie die Warnhinweise im Abschnitt „Empfehlungen zur Problemlösung“.
- Originalverpackung und Schaumstoffmaterialien sollten zum zukünftigen Transport des Gerätes aufbewahrt werden.



Anzeigefeld

Das Anzeigefeld ermöglicht Ihnen die Einstellung der Temperatur und die Steuerung anderer Funktionen, ohne dass Sie die Tür des Produktes öffnen müssen. Drücken Sie einfach die Beschriftungen der entsprechenden Tasten zur Funktionseinstellung.

1. Stromausfall-/Hochtemperatur-/Fehler-Warnanzeige

Diese Anzeige (!) signalisiert einen Stromausfall, zu hohe Innentemperaturen und sonstige Fehler. Bei längeren Stromausfällen blinkt die höchste Temperatur, die der Tiefkühlbereich erreicht, im digitalen Display. Drücken Sie nach Prüfung der im Tiefkühlbereich (~~!~~) gelagerten Lebensmittel zum Löschen der Warnung die Alarm-aus-Taste.


Bitte beachten Sie den Abschnitt „Empfohlene Problemlösungen“ in Ihrer Anleitung, falls Sie bemerken, dass diese Anzeige eingeschaltet ist.


2. Energiesparfunktion (Display aus):


Wenn die Produkttüren für längere Zeit geschlossen bleiben, wird die Energiesparfunktion nach 1 Minute automatisch aktiviert und das Energiespar-Symbol leuchtet auf. (~~!~~) Bei aktiver Energiesparfunktion erlöschen sämtliche Display-Symbole mit Ausnahme des Energiesparsymbols. Die Energiesparfunktion wird aufgehoben, sobald Tasten betätigt werden oder die Tür geöffnet wird. Das Display zeigt wieder die normalen Symbole. Die Energiesparfunktion wird während der Lieferung ab Werk aktiviert und kann nicht aufgehoben werden.


i * **Optional:** Die Abbildungen in dieser Anleitung sind skizzenhaft und stimmen möglicherweise nicht exakt mit Ihrem Produkt überein. Falls Ihr Produkt nicht über die entsprechenden Teile verfügt, betreffen die Informationen andere Modelle.

3. Schnellkühlen


Drücken Sie diese Taste, um die Schnellkochfunktion zu aktivieren oder zu deaktivieren ().

 Die Schnellkühlfunktion nutzen Sie, wenn Sie Lebensmittel im Kühlbereich besonders schnell abkühlen möchten. Wenn Sie große Mengen frischer Lebensmittel kühlen möchten, sollten Sie diese Funktion vor dem Einlagern der Lebensmittel einschalten.



 Sofern Sie diese Funktion nicht vorzeitig abschalten, wird das Schnellkühlen beendet, sobald die nötige Temperatur erreicht ist, spätestens jedoch nach 1 Stunden.

 Diese Funktion wird nach einem Stromausfall nicht automatisch wieder eingeschaltet.

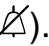
4. Kühlbereichstemperatur-Einstelltaste

Durch mehrmaliges Drücken dieser Taste stellen Sie die Kühlbereichstemperatur auf 8°, 7°, 6°, 5°, 4°, 3°, 2°, 1°, 8°C ... ein. Mit dieser Taste stellen Sie die gewünschte Kühlbereichstemperatur ein. ()


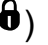
5. Urlaubsfunktion

Drücken Sie zum Aktivieren der Urlaubsfunktion 3 Sekunden diese Taste (); dadurch wird die Urlaubsmodusanzeige () aktiviert. Wenn die Urlaubsfunktion aktiv ist, erscheint „- -“ in der Kühlbereichstemperaturanzeige; der Kühlbereich wird nun nicht mehr Aktiv gekühlt. Wenn diese Funktion aktiv ist, sollten keine Lebensmittel im Kühlbereich aufbewahrt werden. Andere Bereiche werden entsprechend der eingestellten Temperatur weiterhin gekühlt. Zum Aufheben dieser Funktion drücken Sie die **Urlaubsfunktionstaste** noch einmal.

6. Alarm-aus-Warnung:


Drücken Sie bei einem Alarm wegen Stromausfalls/hoher Temperatur nach Prüfung der im Tiefkühlbereich gelagerten Lebensmittel zum Löschen der Warnung die Alarm-aus-Taste ().

7. Tastensperre


Halten Sie die Tastensperre-Taste ( 3'') 3 Sekunden lang gedrückt. Das Tastensperre-Symbol () leuchtet auf, die Tastensperre ist aktiv.

Bei aktiver Tastensperre reagiert das Gerät nicht auf Tastenbetätigungen. Halten Sie die Tastensperre-Taste noch einmal 3 Sekunden lang gedrückt. Das Tastensperre-Symbol erlischt, die Tastensperre wird abgeschaltet. Verwenden Sie die Tastensperre-Taste, wenn Sie Änderungen der Temperatureinstellung des Kühlschranks verhindern möchten ().

8. Öko-Fuzzy

Halten Sie die Öko-Fuzzy-Taste einmal gedrückt, um die Eco-Fuzzy-Funktion zu aktivieren. Spätestens sechs Stunden spatter arbeitet Ihr Kühlgerät besonders ökonomisch; die Energiesparanzeige leuchtet (). Drücken und halten Sie die Öko-Fuzzy-Taste zum Deaktivieren der Öko-Fuzzy-Funktion 3 Sekunden. Diese Anzeige leuchtet nach 6 Stunden auf, wenn Öko-Fuzzy aktiv ist.

9. Tiefkühlbereichstemperatur-Einstelltaste

Durch mehrmaliges Drücken dieser Taste stellen Sie die Tiefkühlbereichstemperatur auf -18°, -19°, -20°, -21°, -22°, -23°, -24°, -18°C, ... ein. Mit dieser Taste stellen Sie die gewünschte Temperatur des Tiefkühlbereiches ein. ()

10. Eisbereiter-aus-Anzeige (Nur bei Produkten mit icematic Maschine)

Zeigt an, ob der Eisbereiter ein- oder ausgeschaltet ist. (0/3). Bei der Einstellung Ein ist der Eisbereiter abgeschaltet. Zum Einschalten des Eisbereiters halten Sie die Ein-/Austaste 3 Sekunden lang gedrückt.

i Bei der Auswahl dieser Funktion wird kein Wasser mehr aus dem Tank zugeführt. Bereits vorbereitetes Eis kann aber nach wie vor aus dem Eisbereiter entnommen werden.

11. Schnellgefriertaste/Eisbereiter-ein/aus-Taste

Mit dieser Taste schalten Sie die Schnellgefrierfunktion ein und aus. Wenn diese Funktionen aktiv ist, wird der Tiefkühlbereich besonders stark (über die eingestellte Temperatur hinaus) gekühlt. (■)

i Zum Ein- und Ausschalten des Eisbereiters halten Sie die Taste 3 Sekunden lang gedrückt (nur bei Produkten mit icematic Maschine).

i Die Schnellgefrierfunktion nutzen Sie, wenn Sie die Lebensmittel im Tiefkühlbereich besonders schnell abkühlen möchten. Wenn Sie große Mengen frischer Lebensmittel kühlen möchten, sollten Sie diese Funktion vor dem Einlagern der Lebensmittel einschalten.

i Sofern Sie diese Funktion nicht vorzeitig abschalten, wird das Schnellgefrieren beendet, sobald die nötige Temperatur erreicht ist, spätestens jedoch nach 25 Stunden.

i Diese Funktion wird nach einem Stromausfall nicht automatisch wieder eingeschaltet.

Doppeltes Kühlsystem:

Ihr Kühlgerät ist mit zwei getrennten Kühlsystemen für Kühl- und Tiefkühlbereich ausgestattet. Dadurch vermischt sich die Luft im Kühlbereich nicht mit der Luft im Tiefkühlbereich. Durch die Trennung der Kühlsysteme kühlt Ihr Gerät erheblich schneller als viele andere Kühlgeräte. Auch die Gerüche der beiden Kühlbereiche bleiben getrennt. Darüber hinaus sparen Sie Energie, da auch das Abtauen getrennt erfolgt.

So benutzen Sie den Wasserspender

* optional

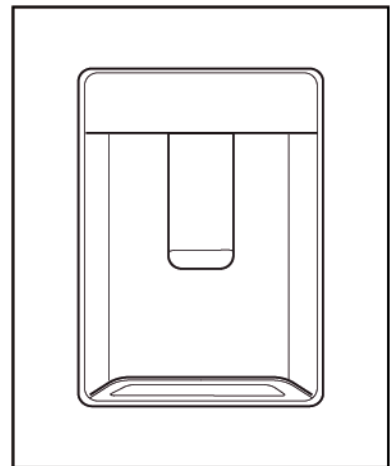
i Das erste Wasser, das aus dem Spender fließt, kann noch etwas warm sein. Dies ist normal.

i Falls der Wasserspender längere Zeit nicht genutzt wurde, gießen Sie die ersten paar Gläser Wasser weg, bis frisches Wasser ausgegeben wird.

1. Drücken Sie mit dem Glas gegen den Hebel des Wasserspenders. Wenn Sie weiche Plastikbecher benutzen, drücken Sie den Hebel am besten mit der Hand.
2. Lassen Sie den Hebel wieder los, wenn das Glas gefüllt ist.

i Die Wassermenge können Sie nach Wunsch regulieren, indem Sie den Hebel nur leicht oder ganz betätigen. Verringern Sie den Druck auf den Hebel, wenn das Gefäß fast gefüllt ist, damit nichts überläuft.

Das Wasser tritt nur tropfenweise aus, wenn Sie den Hebel nur leicht betätigen; dies ist völlig normal.



Wasserspender tank füllen

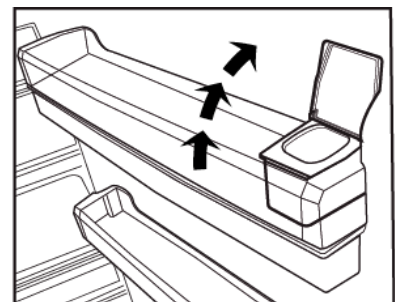
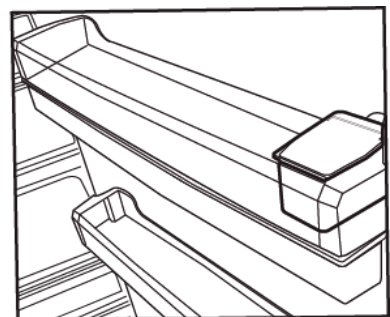
Der Wassertank befindet sich an der Innenseite der Türablage.

1. Öffnen Sie den Deckel des Tanks.
2. Füllen Sie den Tank mit Trinkwasser.
3. Schließen Sie den Deckel.

i Füllen Sie den Wassertank nur mit frischem Trinkwasser, nicht mit anderen Flüssigkeiten gleich welcher Art. Falls andere Flüssigkeiten eingefüllt werden, kann der Wasserspender irreparabel beschädigt werden. Solche Beschädigungen werden nicht durch die Garantie abgedeckt.

Viele Flüssigkeiten und Getränke enthalten Zusätze, die das Material des Wassertanks schädigen können.

i Nutzen Sie ausschließlich reines Trinkwasser.

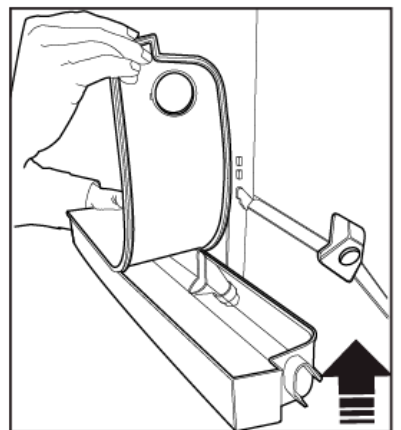
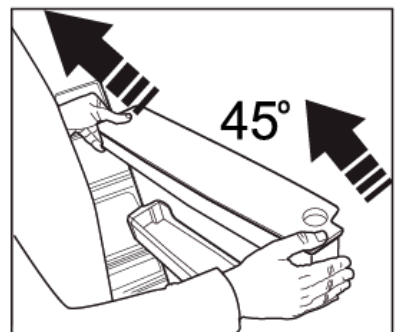
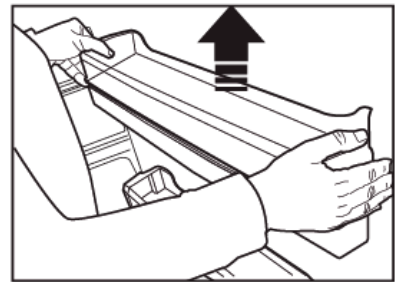
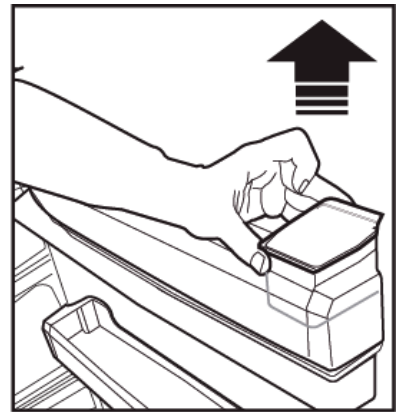


i Der Wassertank fasst maximal 3 Liter; füllen Sie nicht mehr ein.

Wassertank reinigen

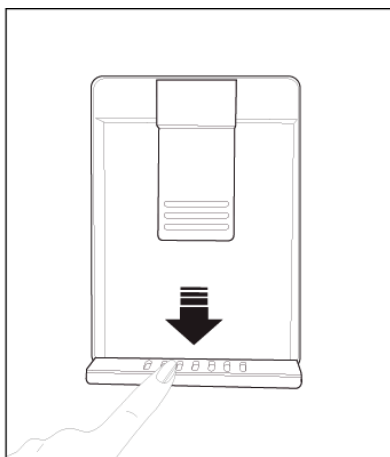
1. Nehmen Sie den Füllbehälter an der Innenseite der Türablage heraus.
2. Entfernen Sie die Türablage, indem Sie diese an beiden Seiten greifen.
3. Fassen Sie den Wassertank an beiden Seiten, nehmen Sie ihn in einem Winkel von 45 ° heraus.
4. Nehmen Sie den Deckel vom Wassertank ab, reinigen Sie den Tank gründlich.

i Die Komponenten des Wasserspenders und des Wassertanks sollten nicht in der Spülmaschine gereinigt werden.



Tropfschale

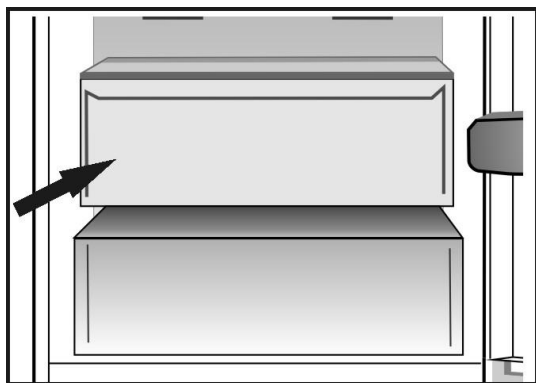
Wasser, das bei der Nutzung des Wasserspenders heruntertropft, sammelt sich in der Tropfschale. Nehmen Sie den Kunststofffilter wie in der Abbildung gezeigt heraus. Entfernen Sie angesammeltes Wasser mit einem sauberen, trockenen Tuch.



Fach zur Aufbewahrung verderblicher Lebensmittel (niedrige Temperatur / -2°C bis +3°C).

Dieses Fach wurde für die Aufbewahrung gefrorener Lebensmittel konzipiert, die je nach Bedarf langsam abgetaut werden können (Fleisch, Fisch, Huhn etc.). Das Niedertemperaturfach ist der kälteste Ort im Kühlschrank, in dem Milchprodukte (Käse, Butter), Fleisch, Fisch und Geflügel unter idealen Bedingungen aufbewahrt werden können.

Gemüse und/oder Obst sollten nicht in diesem Fach gelagert werden.



Feuchtigkeitsreguliertes Gemüsefach

* optional

Dank der Feuchtigkeitsregelung bleibt der Feuchtigkeitsgehalt von Obst und Gemüse kontrolliert, wodurch diese Lebensmittel länger frisch bleiben. Ideal für Blattgemüse, wie Kopfsalat, Spinat und ähnliches Gemüse, das Feuchtigkeit eher nicht an den Wurzeln, sondern bei horizontaler Ausrichtung im Gemüsefach verliert.

Bei Lagerung von Gemüse, sollten Sie schweres, hartes Gemüse unten und leichtes, weiches Gemüse oben aufbewahren; beachten Sie das spezifische Gewicht des Gemüses. Lassen Sie Gemüse nicht in Plastikbeuteln im Gemüsefach. Wenn

Sie Gemüse in Plastikbeuteln einlagern, verdirbt es innerhalb kurzer Zeit. Wenn Sie Gemüse separieren möchten, verwenden Sie Verpackungsmaterialien, die eine gewisse Porigkeit hinsichtlich der Hygiene aufweisen, wie Papier. Lagern Sie Obst und Gemüse, das viel Ethylengas produziert, wie z. B. Erbsen, Aprikosen, Pfirsiche und bestimmte Apfelsorten, nicht mit anderem Obst und Gemüse im Gemüsefach. Das von solchen Lebensmitteln abgegebene Ethylengas kann dazu führen, dass anderes Obst und Gemüse schneller verdirbt.

FrISCHE Lebensmittel tiefkühlen

- Achten Sie darauf, Lebensmittel vor dem Einlagern im Kühlschrank einzuwickeln oder abzudecken.
- Heiße Speisen müssen auf Raumtemperatur abgekühlt sein, ehe sie in den Kühlschrank gegeben werden.
- Lebensmittel, die Sie einfrieren möchten, sollten frisch und von guter Qualität sein.
- Verteilen Sie die Lebensmittel/Gerichte auf familienfreundliche oder sonstige sinnvolle Portionen.
- Lebensmittel sollten luftdicht verpackt sein, damit sie nicht austrocknen. Dies gilt auch dann, wenn Sie Lebensmittel nur kurze Zeit lagern möchten.
- Verpackungsmaterialien müssen luftdicht und gegen Kälte und Feuchtigkeit beständig sein. Lebensmittelverpackungen sollten ausreichend dick und stabil sein. Andernfalls kann es vorkommen, dass Lebensmittel beim Gefrieren die Verpackung durchstoßen. Achten Sie grundsätzlich darauf, dass die Verpackung richtig versiegelt wird, damit Lebensmittel maximal lange haltbar bleiben.
- Verbrauchen Sie eingefrorene Lebensmittel direkt nach dem Auftauen, frieren Sie sie nicht wieder ein.
- Wenn Sie noch warme Speisen in den Tiefkühlbereich stellen, bewirken Sie damit, dass das Kühlsystem

ununterbrochen arbeiten muss, bis die Speisen komplett tiefgekühlt sind.

● Bitte beachten Sie die folgenden Hinweise, um beste Resultate zu erzielen.

1. Frieren Sie nicht zu große Mengen auf einmal ein. Die Qualität der Lebensmittel bleibt am besten erhalten, wenn sie so schnell wie möglich bis in den Kern tiefgekühlt werden.
2. Achten Sie besonders darauf, bereits tiefgekühlte und frische Speisen nicht zu vermischen.
3. Achten Sie darauf, dass rohe Lebensmittel keine gekochten Lebensmitteln im Kühlbereich berühren.
4. Das maximale TK-Stauvolumen wird ohne Schubladen im Tiefkühlfach erreicht. Der Energieverbrauch Ihres Gerätes wurde bei komplett gefüllten Ablagen im Tiefkühlfach ohne Schubladen und obere Ablage ermittelt.
5. Frieren Sie Lebensmittel am besten auf der oberen Tiefkühlablage ein.

Hinweise zum Tiefkühlen

Lebensmittel sollten schnellstmöglich eingefroren werden, damit sie nicht an Qualität verlieren.

Die TSE-Norm schreibt (je nach Messbedingungen) vor, dass ein Kühlschrank mindestens 4,5 kg Lebensmittel pro 100 Liter Gefriervolumen bei einer Umgebungstemperatur von 32 °C in 24 Stunden auf -18 °C abkühlen kann.

Nur bei Temperaturen von -18 °C oder weniger ist es möglich, Lebensmittel lange Zeit zu lagern.

Sie können die Frische Ihrer Lebensmittel viele Monate bewahren (bei einer Tiefkühlbereichtemperatur von maximal -18 °C).

WARNUNG! ⚠

- Verteilen Sie die Lebensmittel/Gerichte auf familienfreundliche oder sonstige sinnvolle Portionen.
- Lebensmittel sollten luftdicht verpackt sein, damit sie nicht austrocknen. Dies gilt auch dann, wenn Sie Lebensmittel nur kurze Zeit lagern möchten.

Benötigtes Verpackungsmaterial:

- Kältebeständiges Klebeband
- Haftklebe-Etikett
- Gummiringe
- Stift

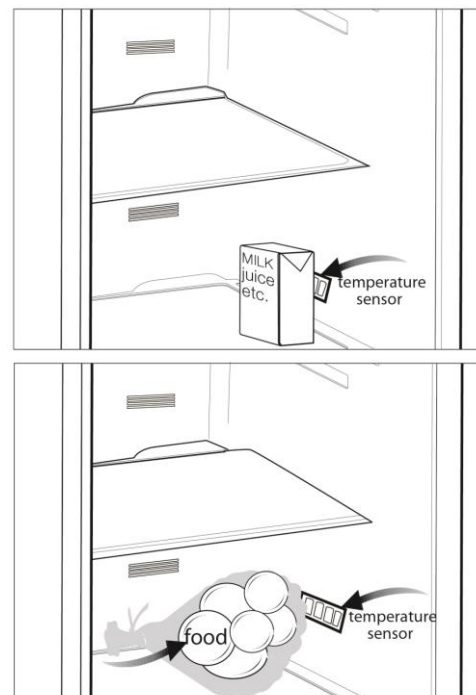
Geeignete Verpackungsmaterialien müssen reißfest und unempfindlich gegenüber Kälte, Feuchtigkeit, Gerüchen, Ölen und Säuren sein.

Einzufrierende Lebensmittel sollten keinen direkten Kontakt zu bereits gefrorenen Lebensmitteln haben, damit diese nicht antauen. Angetaute Lebensmittel müssen so schnell wie möglich verbraucht, dürfen nicht wieder eingefroren werden.

Empfehlungen zum Kühlbereich (für frische Lebensmittel)

* optional

- Achten Sie darauf, dass die Lebensmittel nicht den Temperatursensor im Kühlbereich berühren. Damit frische Lebensmittel bei optimalen Temperaturen gelagert werden, darf der Sensor nicht durch Lebensmittel blockiert oder beeinflusst werden.
- Geben Sie keine heißen Speisen in das Gerät.



Tiefkühlbereich Einstellung	Kühlbereich Einstellung	Erläuterungen
-18°C	4°C	Dies ist die allgemein empfohlene Einstellung.
-20, -22 oder -24 °C	4°C	Diese Einstellungen empfehlen wir bei Umgebungstemperaturen über 30 °C.
Schnellgefrieren	4°C	Diese Funktion nutzen Sie zum Einfrieren von Lebensmitteln in kurzer Zeit. Auf diese Weise bleibt die Qualität möglichst schonend erhalten; dies gilt insbesondere für Fleisch und Fisch.
-18 °C und kälter	2°C	Halten Sie sich an diese Einstellung, falls Sie meinen, dass der Kühlbereich aufgrund zu hoher Außentemperatur, der Nähe zu Wärmequellen oder zu häufiges Öffnen und Schließen der Kühlschranktür nicht kalt genug wird.
-18 °C und kälter	Schnellkühlen	Verwenden Sie diese Einstellung, wenn der Kühlbereich überladen ist oder Sie die Inhalte schneller abkühlen möchten. Wir empfehlen, die Schnellkühlfunktion 4 bis 8 Stunden vor dem Einlagern frischer Lebensmittel einzuschalten.

Empfehlungen zur Konservierung gefrorener Lebensmittel

- Handelsübliche, verpackte Tiefkühlkost sollte gemäß den Hinweisen des Herstellers zur Lagerung in Tiefkühlfächern gelagert werden.
- Um besonders gute Ergebnisse zu erzielen und zu erhalten, sollten Sie Folgendes berücksichtigen:
 1. Geben Sie Lebensmittel so schnell wie möglich nach dem Kauf in den Tiefkühlbereich.
 2. Sorgen Sie dafür, dass sämtliche Lebensmittel beschriftet und mit einem Datum versehen werden.
 3. Achten Sie darauf, dass das auf der Verpackung angegebene Mindesthaltbarkeitsdatum nicht überschritten wird.










Abtauen


Der Tiefkühlbereich taut automatisch ab.

Lebensmittel platzieren


Tiefkühlbereich- Ablagen	Unterschiedliche gefrorene Lebensmittel wie Fleisch, Fisch, Speiseeis, Gemüse etc.
Eierhalter	Eier
Kühlbereich- Ablagen	Lebensmittel in Pfannen, Töpfen, auf abgedeckten Tellern, in geschlossenen Behältern
Kühlbereich- Türablagen	Kleine, verpackte Lebensmittelprodukte oder Getränke (zum Beispiel Milch, Saft und Bier)
Gemüsefach	Gemüse und Früchte
Frischbereich	Milch- und Wurstprodukte (Käse, Butter, Salami und dergleichen)

6 **Wartung und Reinigung**

-  Verwenden Sie zu Reinigungszwecken niemals Benzin oder ähnliche Substanzen.
-  Wir empfehlen, vor dem Reinigen den Netzstecker zu ziehen.
-  Verwenden Sie zur Reinigung niemals scharfe Gegenstände, Seife, Haushaltsreiniger, Waschmittel oder Wachspolituren.
-  Reinigen Sie das Gehäuse des Gerätes mit lauwarmem Wasser, wischen Sie die Flächen danach trocken.
-  Zur Reinigung des Innenraums verwenden Sie ein feuchtes Tuch, das Sie in eine Lösung aus 1 Teelöffel Natron und einem halben Liter Wasser getaucht und ausgewrungen haben. Nach dem Reinigen wischen Sie den Innenraum trocken.
-  Achten Sie darauf, dass kein Wasser in das Lampengehäuse oder andere elektrische Komponenten eindringt.
-  Wenn Ihr Kühlgerät längere Zeit nicht benutzt wird, ziehen Sie den Netzstecker, nehmen alle Lebensmittel heraus, reinigen das Gerät und lassen die Türe geöffnet.
-  Kontrollieren Sie die Türdichtungen regelmäßig, um sicherzustellen, dass diese sauber und frei von Speiseresten sind.
-  Zum Entfernen einer Türablage räumen Sie sämtliche Gegenständen aus der Ablage und schieben diese dann nach oben heraus.

 Verwenden Sie zur Reinigung der Außenflächen und Chrom-beschichteten Produktteile niemals Reinigungsmittel oder Wasser, die/das Chlor enthält. Chlor lässt Metalloberflächen korrodieren.

Kunststoffflächen schützen

 Geben Sie keine Öle oder stark fetthaltige Speisen offen in Ihren Kühlschrank – dadurch können die Kunststoffflächen angegriffen werden. Sollten die Kunststoffoberflächen einmal mit Öl in Berührung kommen, reinigen Sie die entsprechenden Stellen sofort mit warmem Wasser.

7 Problemlösung

Bitte arbeiten Sie diese Liste durch, bevor Sie sich an den Kundendienst wenden. Dies kann Ihnen Zeit und Geld sparen. In der Liste finden Sie häufiger auftretende Probleme, die nicht auf Verarbeitungs- oder Materialfehler zurückzuführen sind. Nicht alle hier beschriebenen Funktionen sind bei jedem Modell verfügbar.

Der Kühlschrank arbeitet nicht.

- Der Netzstecker ist nicht richtig eingesteckt. >>> Stecken Sie den Netzstecker bis zum Anschlag in die Steckdose.
- Die entsprechende Haussicherung ist herausgesprungen oder durchgebrannt. >>> Überprüfen Sie die Sicherung.

Kondensation an den Seitenwänden des Kühlbereiches (Multizone, Kühlkontrolle und FlexiZone).

- Die Umgebungsluft ist zu kalt. >>> Stellen Sie den Kühlschrank nicht an Orten mit Temperaturen unter 10 °C auf.
- Die Tür wurde häufig geöffnet. >>> Verzichten Sie auf häufiges Öffnen der Kühlschranktür.
- Die Luftfeuchtigkeit in der Umgebung ist zu hoch. >>> Stellen Sie Ihren Kühlschrank nicht an Orten mit hoher Luftfeuchtigkeit auf.
- Lebensmittel mit hohem Flüssigkeitsanteil werden in offenen Behältern aufbewahrt. >>> Bewahren Sie Lebensmittel mit hohem Flüssigkeitsanteil nicht in offenen Behältern auf.
- Die Kühlschranktür steht offen. >>> Schließen Sie die Kühlschranktür.
- Das Thermostat ist auf eine sehr geringe Temperatur eingestellt. >>> Stellen Sie das Thermostat entsprechend nach.

Der Kompressor läuft nicht.

- Eine Schutzschaltung stoppt den Kompressor bei kurzzeitigen Unterbrechungen der Stromversorgung und wenn das Gerät zu oft und schnell ein- und ausgeschaltet wird, da der Druck des Kühlmittels eine Weile lang ausgeglichen werden muss. Der Kühlschrank beginnt nach etwa sechs Minuten wieder zu arbeiten. Bitte wenden Sie sich an den Kundendienst, falls Ihr Kühlschrank nach Ablauf dieser Zeit nicht wieder zu arbeiten beginnt.
- Der Kühlschrank taut ab. >>> Dies ist bei einem vollautomatisch abtauenden Kühlschrank völlig normal. Das Gerät taut von Zeit zu Zeit ab.
- Der Netzstecker ist nicht eingesteckt. >>> Überprüfen Sie, ob der Netzstecker richtig eingesteckt wurde.
- Die Temperatur ist nicht richtig eingestellt. >>> Wählen Sie eine geeignete Temperatur.
- Der Strom ist ausgefallen. >>> Sobald die Stromversorgung wiederhergestellt ist, nimmt der Kühlschrank den Betrieb wieder auf.

Das Betriebsgeräusch nimmt zu, wenn der Kühlschrank arbeitet.

- Das Leistungsverhalten des Kühlgerätes kann sich je nach Umgebungstemperatur ändern. Dies ist völlig normal und keine Fehlfunktion.

Der Kühlschrank arbeitet sehr intensiv oder über eine sehr lange Zeit.

- Ihr neues Gerät ist vielleicht etwas breiter als sein Vorgänger. Große Kühlgeräte arbeiten oft längere Zeit.
- Die Umgebungstemperatur ist eventuell sehr hoch. >>> Bei hohen Umgebungstemperaturen arbeitet das Gerät etwas länger.
- Der Kühlschrank wurde möglicherweise erst vor Kurzem in Betrieb genommen oder mit Lebensmitteln gefüllt.
>>> Wenn der Kühlschrank erst vor Kurzem in Betrieb genommen oder mit Lebensmitteln gefüllt wurde, dauert es einige Zeit, bis er die eingestellte Temperatur erreicht. Dies ist völlig normal.
- Kurz zuvor wurden größere Mengen warmer Speisen in den Kühlschrank gestellt. >>> Geben Sie keine warmen oder gar heißen Speisen in den Kühlschrank.
- Die Türen wurden häufig geöffnet oder längere Zeit nicht richtig geschlossen. >>> Der Kühlschrank muss länger arbeiten, weil warme Luft in den Innenraum eingedrungen ist. Verzichten Sie auf häufiges Öffnen der Türen.
- Die Türen des Kühl- oder Tiefkühlbereiches wurden nicht richtig geschlossen. >>> Vergewissern Sie sich, dass die Türen richtig geschlossen wurden.
- Die Kühlschranktemperatur ist sehr niedrig eingestellt. >>> Stellen Sie die Kühlschranktemperatur höher ein. Warten Sie dann ab, bis die gewünschte Temperatur erreicht ist.
- Die Türdichtungen von Kühl- oder Gefrierbereich sind verschmutzt, verschlissen, beschädigt oder sitzen nicht richtig. >>> Reinigen oder ersetzen Sie die Dichtung. Beschädigte oder defekte Dichtungen führen dazu, dass der Kühlschrank länger arbeiten muss, um die Temperatur halten zu können.

Die Temperatur im Tiefkühlbereich ist sehr niedrig, während die Temperatur im Kühlbereich normal ist.

- Die Tiefkühltemperatur ist sehr niedrig eingestellt. >>> Stellen Sie die Tiefkühltemperatur wärmer ein, prüfen Sie die Temperatur nach einer Weile.

Die Temperatur im Kühlbereich ist sehr niedrig, während die Temperatur im Tiefkühlbereich normal ist.

- Die Kühltemperatur ist sehr niedrig eingestellt. >>> Stellen Sie die Kühlbereichtemperatur wärmer ein, prüfen Sie die Temperatur nach einer Weile.

Im Kühlbereich gelagerte Lebensmittel frieren ein.

- Die Kühltemperatur ist sehr hoch eingestellt. >>> Wählen Sie eine höhere Kühlbereichtemperatur, prüfen Sie die Temperatur nach einer Weile.

Die Temperatur im Kühl- oder Tiefkühlbereich ist sehr hoch.

- Die Kühltemperatur ist sehr hoch eingestellt. >>> Die Kühlbereichtemperatur wirkt sich auf die Temperatur des Tiefkühlbereichs aus. Ändern Sie die Temperatur des Kühl- oder Tiefkühlbereichs und warten Sie, bis die entsprechenden Fächer eine geeignete Temperatur erreicht haben.
- Türen wurden häufig geöffnet oder längere Zeit nicht richtig geschlossen. >>> Verzichten Sie auf häufiges Öffnen der Türen.
- Die Tür steht offen. >>> Schließen Sie die Tür komplett.
- Der Kühlschrank wurde möglicherweise erst vor Kurzem in Betrieb genommen oder mit Lebensmitteln gefüllt. >>> Dies ist normal.
Wenn der Kühlschrank erst vor Kurzem in Betrieb genommen oder mit Lebensmitteln gefüllt wurde, dauert es einige Zeit, bis er die eingestellte Temperatur erreicht.
- Kurz zuvor wurden größere Mengen warmer Speisen in den Kühlschrank gestellt. >>> Geben Sie keine warmen oder gar heißen Speisen in den Kühlschrank.

Vibrationen oder Betriebsgeräusche.
<ul style="list-style-type: none"> • Der Boden ist nicht eben oder nicht stabil genug. >>> Falls der Kühlschrank bei leichten Bewegungen wackelt, gleichen Sie ihn mit Hilfe seiner Füße aus. Achten Sie außerdem darauf, dass der Boden eben ist und das Gewicht des Kühlschranks problemlos tragen kann. • Gegenstände, die auf dem Kühlschrank abgestellt wurden, können Geräusche verursachen. >>> Nehmen Sie die Gegenstände vom Kühlschrank.
Fließ- oder Spritzgeräusche sind zu hören.
<ul style="list-style-type: none"> • Aus technischen Gründen bewegen sich Flüssigkeiten und Gase innerhalb des Gerätes. Dies ist völlig normal und keine Fehlfunktion.
Der Kühlschrank pfeift.
<ul style="list-style-type: none"> • Zum gleichmäßigen Kühlen werden Ventilatoren eingesetzt. Dies ist völlig normal und keine Fehlfunktion.
Kondensation an den Kühlschrankinnenflächen.
<ul style="list-style-type: none"> • Bei heißen und feuchten Wetterlagen treten verstärkt Eisbildung und Kondensation auf. Dies ist völlig normal und keine Fehlfunktion. • Türen wurden häufig geöffnet oder längere Zeit nicht richtig geschlossen. >>> Verzicht auf häufiges Öffnen der Türen. Schließen Sie geöffnete Türen. • Die Tür steht offen. >>> Schließen Sie die Tür komplett.
Feuchtigkeit sammelt sich an der Außenseite des Kühlschranks oder an den Türen.
<ul style="list-style-type: none"> • Eventuell herrscht hohe Luftfeuchtigkeit; dies ist je nach Wetterlage völlig normal. Die Kondensation verschwindet, sobald die Feuchtigkeit abnimmt.
Unangenehmer Geruch im Kühlschrank.
<ul style="list-style-type: none"> • Der Kühlschrank wurde nicht regelmäßig gereinigt. >>> Reinigen Sie das Innere des Kühlschranks regelmäßig mit einem Schwamm, den Sie mit lauwarmem Wasser oder einer Natron-Wasser-Lösung angefeuchtet haben. • Bestimmte Behälter oder Verpackungsmaterialien verursachen den Geruch. >>> Verwenden Sie andere Behälter oder Verpackungsmaterial einer anderen Marke. • Lebensmittel wurden in offenen Behältern in den Kühlschrank gegeben. >>> Lagern Sie Lebensmittel in geschlossenen Behältern. Mikroorganismen, die aus unverschlossenen Behältern entweichen, können üble Gerüche verursachen. • Nehmen Sie Lebensmittel mit abgelaufenem Mindesthaltbarkeitsdatum sowie verdorbene Lebensmittel aus dem Kühlschrank.
Die Tür lässt sich nicht schließen.
<ul style="list-style-type: none"> • Lebensmittelpackungen verhindern ein vollständiges Schließen der Tür. >>> Entfernen Sie die Verpackungen, welche die Tür blockieren. • Der Kühlschrank steht nicht vollständig eben auf dem Boden. >>> Gleichen Sie den Kühlschrank mit Hilfe der Füße aus. • Der Boden ist nicht eben oder nicht stabil genug. >>> Achten Sie darauf, dass der Boden eben ist und das Gewicht des Kühlschranks problemlos tragen kann.
Das Gemüsefach klemmt.
<ul style="list-style-type: none"> • Lebensmittel berühren eventuell den oberen Teil der Schublade. >>> Ordnen Sie die Lebensmittel in der Schublade anders an.

Kérjük először az első használati útmutatót olvassa el!

Tisztelt Vásárló!

Bízunk benne, hogy termékünk, mely egy modern gyárban készült, és a legaprólékosabb minőségirányítási eljárások alapján lett tesztelve, hatékony szolgáltatást fog biztosítani az Ön számára.

Mielőtt a készüléket használatba venné, olvassa el figyelmesen az egész útmutatót, majd őrizze meg referenciaként. Ha átadja a terméket másvalakinek, ezt a használati útmutatót is adja át vele együtt.




Ez a használati útmutató segít gyors és biztonságos módon használni a terméket.

- Mielőtt a terméket beállítaná és üzembe helyezné, olvassa el a kézikönyvet.
- Mindenképp olvassa el a biztonsági utasításokat.
- A használati útmutatót tartsa olyan helyen, ahol a jövőben könnyen hozzá tud férni.
- Olvassa el a termékhez kapott további dokumentumokat.

Tartsa szem előtt, hogy ez a használati útmutató más modellekre is vonatkozik. Az útmutató szemlélteti a modellek közötti különbségeket.

Szimbólumok jelentése

A felhasználói útmutatóban az alábbi szimbólumokkal találkozhat:

-  Fontos információk vagy hasznos tippek.
-  Figyelmeztetés élet vagy tulajdonra veszélyes körülményekre.
-  Figyelmeztetés elektromos feszültség miatt.



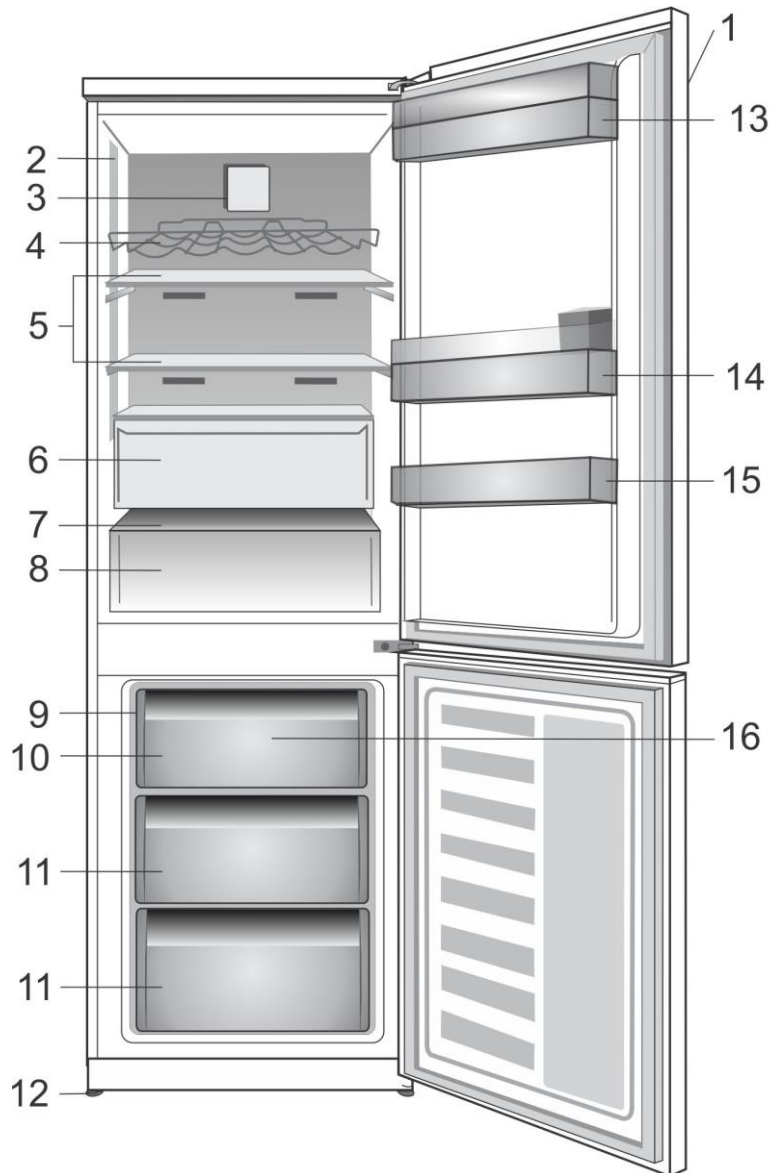
FIGYELMEZTETÉS!

AzI, R600a (csak bizonyos körülmények között gyúlékony) teljesen környezetberát gázzal működő hűtőberendezés normális működésének eléréséhez, kövesse a következő szabályokat:

- Ne gátolja a levegő keringését a készülék körül!
- Ne használjon más mechanikus eszközöket a gyorsabb felolvasztás érdekében, mint amit a gyártó ajánl!
- Ne szakítsa meg a hűtőközeg keringésrendszerét!
- Ne használjon más elektromos eszközöket a mélyfagyasztó részben, mint amiket a gyártó javasolhat!

1 Az Ön hűtője	3	4 Előkészületek	10
2 Fontos biztonsági figyelmeztetések	4	5 A hűtő használata	11
Rendeltetésszerű használat.....	4	Kijelző panel.....	11
Általános biztonság.....	4	Dupla hűtőrendszer	13
Vízadagolóval ellátott termékekhez.....	6	A vízadagoló használata.....	14
Gyermekbiztonság.....	6	Tárolási tippek	
Az WEEE Rendeletnek való megfelelés és a hulladék termék megsemmisítése.....	6	fagyasztott étel tárolására	16
Csomagolásra vonatkozó információ...	7	Nedvesség szabályzós zöldség tárolása	16
HCA figyelmeztetés.....	7	Friss étel lefagyasztására.....	16
Energiatakarékossági teendők.....	7	Tudnivalók a mélyfagyasztásról.....	17
3 Üzembe helyezés	8	Javaolatok a friss élelmiszer rekeszhez.....	17
Mire kell figyelnie a hűtő áthelyezésekor.....	8	Tippek a fagyasztott ételek tárolásához.....	18
A beüzemelés előtt.....	8	Kiolvasztás.....	18
Elektromos csatlakozás.....	8	Élelmiszer elhelyezése.....	18
A csomagolás leselejtezése.....	9	6 Ápolás és tisztítás	19
A régi hűtőjének leselejtezése.....	9	A műanyag felületek védelme	19
Elhelyezés és üzembe helyezés.....	9	7 Hibaelhárítás	20
A lámpa cseréje.....	9		
Az ajtó nyitási irányának módosítása.	9		
Tartólábak beállítása.....	9		

1 Az Ön hűtőszekrénye



- | | |
|---|------------------------------------|
| 1. Kezelőpanel | 10. Gyorsfagyasztó rekesz |
| 2. Belső világítás | 11. Lefagyasztott ételtartó rekesz |
| 3. Friss étel ventilátor | 12. Állítható elülső láb |
| 4. Borosüveg-tartó | 13. Tejtermék rekesz |
| 5. Állítható szekrénypolcok | 14. Vízádagoló |
| 6. Nullfokos tárolórekesz | 15. Polc |
| 7. Nedvesség szabályzott zöldség tároló | 16. Fagyasztó ventilátor |
| 8. Nedvesség szabályzott zöldség tároló | |
| 9. Jégtálca tartó és jégtálca | |

i A használati útmutatóban található képek szemléltető jellegűek, nem a valódi terméket ábrázolják. Amennyiben olyan részeket talál, melyek nem találhatók meg, az Ön által megvásárolt termékben, akkor azok más modellekre vonatkoznak.

2 Fontos biztonsági figyelmeztetések

Kérjük, olvassa el az alábbi információkat.

A következő információk figyelmen kívül hagyása sérüléseket vagy anyagi károkat okozhat.

Ezenkívül valamennyi garancia érvényét veszti.

Az Ön készülékének az élettartama 10 év. Ezen időszak alatt a készülékhez a megfelelő működés érdekében eredeti alkatrészeket biztosítunk.

Rendeltetésszerű használat

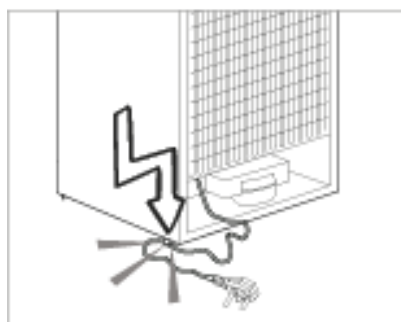
- Beltérben és zárt területeken használja, pl. otthonok;
- zárt munkakörnyezetben használja, pl. boltok és irodák;
- zárt szállásokon használja, pl. parasztházak, hotelek, panziók.
- A terméket ne használja szabadban.

Általános tudnivalók

- A termék leselejtezésével/kidobásával kapcsolatban kérjük, érdeklődjön a hivatalos szolgáltatónál.
- A hűtővel kapcsolatos kérdésekkel és problémákkal kérjük, forduljon a hivatalos szervizhez. Saját maga, ill. nem hivatásos személyek nem javíthatják a hűtőt a hivatalos szerviz tájékoztatása nélkül.
- Fagyasztóval ellátott termék esetén; A fagyasztóból kivéve ne egye meg azonnal a jégkrémet vagy a jégkockákat! (Ez fagyási sérülést okozhat a szájban.)

- Fagyasztóval ellátott termékek esetén; Soha ne helyezzen a fagyasztóba üveges vagy kannás italokat. A fagyasztóban ezek szétrepedhetnek.
- A fagyott ételeket ne fogja meg kézzel, mert hozzáragadhatnak a kezéhez.
- A tisztítás vagy leolvasztás előtt húzza ki a hűtőszekrényt.
- Permetes tisztítószerrel sose használjon a hűtő tisztításánál, illetve a leolvasztási folyamatnál. Ez ugyanis rövidzárlatot vagy áramütést okozhat a hűtő elektromos alkatrészeivel való érintkezéskor.
- Soha ne használja a hűtő egyes elemeit, például az ajtót támasztékként vagy lépcsőként.
- Ne helyezzen el elektromos készüléket a hűtőben.
- Ne rongálja meg azon alkatrészeket, ahol a hűtőfolyadék áramlik, fúró vagy vágó eszközökkel. A párologtató gázvezetékeinek, a csőtoldalékok vagy a csőburkolatok megsérülésekor esetenként kifröccsenő hűtőfolyadék bőrirritációt és szemsérülést okoz.
- A hűtő szellőzőnyílásait ne takarja le vagy tömje be semmilyen anyaggal.
- Az elektromos berendezéseket kizárólag engedéllyel rendelkező személyek javíthatják. Az inkompetens személyek által elvégzett javítások veszélyforrást jelenthetnek a használóra.

- Meghibásodás, ill. karbantartási vagy javítási munkálatok során válassza le a hűtőt az elektromos hálózatról a megfelelő biztosíték kikapcsolásával vagy a készülék kihúzásával.
- A hűtőt a dugónál fogva húzza ki a konnektorból.
- A magas alkoholtartalmú italokat lezárva és állítva helyezze el a hűtőben.
- Soha ne tároljon a hűtőben gyúlékony vagy robbanó anyagokat tartalmazó spray dobozokat.
- A leolvasztás felgyorsításához csak a gyártó által ajánlott mechanikus eszközöket vagy egyéb módszereket használjon.
- A készüléket nem használhatják fizikai, érzékszervi vagy mentális rendellenességben szenvedő, vagy képzetlen/tapasztalatlan emberek (ideértve a gyermekeket is), kivéve, ha az ilyen személy felügyeletét valamely, annak biztonságáért felelős személy látja el, illetve ez a személy a készülék használatára vonatkozóan útmutatást biztosít.
- Ha a hűtő sérült, ne használja azt. Amennyiben kérdése van, konzultáljon valamelyik szervizessel.
- A hűtő elektromos biztonsága csak akkor biztosított, ha lakása földelőrendszere megfelel az előírásoknak.
- Ne tegye ki a terméket esőnek, hónak, napsütésnek vagy szélnek, mert ez kárt tehet a termék elektromos rendszerében.
- A sérülések elkerülése érdekében, sérült tápkábel esetén vegye fel a kapcsolatot a hivatalos szervizzel.
- Beüzemelés közben ne dugja be a hűtőt a konnektorba. Ellenkező esetben súlyos vagy halálos sérülést szenvedhet.
- A hűtőszekrény csak élelmiszerek tárolására használható. Egyéb célra nem használható.
- A címke és a műszaki adatok leírása a hűtőszekrény belsejében, a bal oldali falon találhatóak.
- Soha ne csatlakoztassa a hűtőszekrényt energiamegtakarító rendszerekhez; mivel ezek kárt tehetnek a hűtőszekrényben.
- Amennyiben kék fény világít a hűtőszekrényen, optikai eszközökkel ne nézzen a kék fénybe.
- A manuálisan szabályozott hűtőszekrényeknél az áramszünet után, legalább 5 percet várjon a hűtőszekrény bekapcsolása előtt.
- A termék új tulajdonosnak történő átadásakor a ne feledje átadni a kézikönyvet is.
- A hűtőszekrény szállításakor vigyázzon, nehogy kárt tegyen a tápkábelben. A kábel meghajlítása tüzet okozhat. Soha ne helyezzen nehéz tárgyakat a tápkábelre.
- A készülék bedugásakor soha ne fogja meg nedves kézzel a dugót.



- A hűtőszekrényt ne csatlakoztassa laza konnektorba.
- Biztonsági okokból soha ne fújjon folyadékot a készülék belső vagy külső részeire.

- Ne fújjon ki gyúlékony anyagokat, pl. propán gáz, stb. a hűtőszekrény közelében, mert tűz keletkezhet, vagy felrobbanhat.
- Soha ne helyezzen vízzel töltött tárgyakat a hűtőszekrény tetejére, mert azok kiömlés esetén áramütést vagy tüzet okozhatnak.
- Ne terhelje túl a hűtőszekrényt élelmiszerekkel. Túlterhelés esetén az élelmiszerek leeshetnek és kárt tehetnek a hűtőszekrényben az ajtó kinyitásakor.
- Soha ne helyezzen tárgyakat a hűtőszekrény tetejére; ellenkező esetben ezek a tárgyak az ajtó kinyitásakor vagy becsukásakor leeshetnek.
- Mivel ezek precíz hőmérsékletszabályozást igényelnek, a gyógyszerek, a hőérzékeny orvosságok és kutatási anyagok stb. nem tárolhatók a hűtőszekrényben.
- Amennyiben hosszú ideig nem használja, húzza ki a hűtőszekrényt. A tápkábel hibája tüzet okozhat.
- A dugó hegyét száraz ronggyal rendszeresen meg kell tisztítani; ellenkező esetben tüzet okozhat.
- Amennyiben a beállítható lábak nincsenek megfelelően beállítva, a hűtő billeghet, illetve elmozdulhat. Az állítható lábak megfelelő rögzítése megakadályozhatja a billegést.
- A hűtőszekrény szállításakor soha ne emelje fel a fogantyúnál fogva. Ellenkező esetben, a fogantyú letörhet.
- Amennyiben a terméket egy másik hűtőszekrény vagy fagyasztó mellé kell helyezni, a két készülék közt legalább 8 cm helyet kell hagynia. Ellenkező esetben a szomszédos falak bepárásodhatnak.

Vízadagolóval ellátott termékek esetén;

A víznyomásnak legalább 1 barnak kell lennie. A víznyomás legfeljebb 8 bar lehet.

- Kizárólag ivóvizet használjon.


Gyermekbiztonság

- Amennyiben az ajtó zárral is rendelkezik, a kulcsot tartsa távol a gyermekektől.
- A gyermekeket folyamatosan felügyelni kell, hogy ne babráljanak a termékkel.

Az WEEE Rendeletnek való megfelelés és a hulladék termék megsemmisítése

A terméken vagy a csomagoláson



található  ábra azt jelzi, hogy a termék nem kezelhető háztartási hulladékként, hanem a megfelelő, az elektromos és elektronikus felszerelések újrahasznosítására létesült begyűjtő pontokban kell leadni. Ha gondoskodik a termék megfelelő leselejtezéséről, segít megelőzni azokat a környezetre és egészségre káros hatásokat, amelyeket a termék nem megfelelő leselejtezése eredményezne. A termék leselejtezésével kapcsolatos további részletekért forduljon a lakóhelyén található háztartási hulladék begyűjtőhöz vagy az áruházhoz, ahol a terméket megvásárolta.

Csomagolásra vonatkozó információ

A termék csomagolóanyagai, a nemzeti környezetvédelmi előírásokkal összhangban, újrahasznosítható anyagokból készültek. A csomagolóanyagokat ne a háztartási vagy egyéb hulladékokkal együtt dobja ki! Vigye el őket a helyi hatóságok által e célból kijelölt csomagolóanyag-begyűjtő pontokra.

Ne feledje...

Minden újrahasznosítható anyag nélkülözhetetlen a természetre és a nemzeti javakra nézve.

Amennyiben szeretne hozzájárulni a csomagoló anyagok újrafelhasználásához, vegye fel a kapcsolatot környezetvédelmi szervezeteivel vagy a helyi önkormányzattal.

HCA figyelmeztetés

Amennyiben a termék R600a hűtőrendszerrel rendelkezik:

Ez a gáz gyúlékony Ennek következtében figyeljen oda, hogy szállítás és használat közben ne tegyen kárt a hűtőrendszerben. Sérülés esetén tartsa távol a terméket a lehetséges tűzforrásoktól, melynek hatására a készülék begyulladhat, továbbá folyamatosan szellőztesse a szobát, ahol a készüléket elhelyezte.

A termékben használt gáz típusát a hűtőszekrény belsejében, a bal oldali falon található címkén találja.

Soha ne égesse el a terméket.

Energiatakarékossági tanácsok, és teendők

- Ne hagyja sokáig nyitva a hűtő ajtaját.
- Ne tegyen meleg ételt vagy italt a hűtőbe.
- Csak annyi ételt/italt tegyen a hűtőbe, hogy az ne akadályozza a levegő cirkulációt.
- Ne helyezze a hűtőt olyan helyre, ahol azt közvetlen napsütés éri, vagy ahol a közelben hőforrás van (pl. sütő, mosogatógép vagy radiátor). A hűtőszekrényt helyezze legalább 30 cm-re bármilyen hőkibocsátó eszköztől és legalább 5 cm-re elektromos sütőtől.
- Ügyeljen rá, hogy az ételeket zárt edényben tárolja a hűtőben.
- Fagyasztórekesszel ellátott termékek esetén; Akkor tárolhat maximális mennyiségű élelmiszert a hűtőszekrényben, ha eltávolítja a polcokat vagy a fagyasztó fiókját. Az Ön hűtőszekrénye energiafogyasztását úgy határozták meg, hogy a fagyasztó polcokat és fiókjait eltávolították, és a fagyasztót telepolták. Nem árt a fagyasztandó élelmiszer méretének és alakjának megfelelő polcot vagy fiókot használni.
- A fagyasztott élelmiszer hűtőszekrényben történő felolvasztása energiát takarít meg, és megőrzi az étel minőségét.

3 Beüzemelés

⚠ Amennyiben nem veszi figyelembe a használati útmutatóban szereplő információkat, a gyártó ezért nem vállal semmilyen felelősséget.

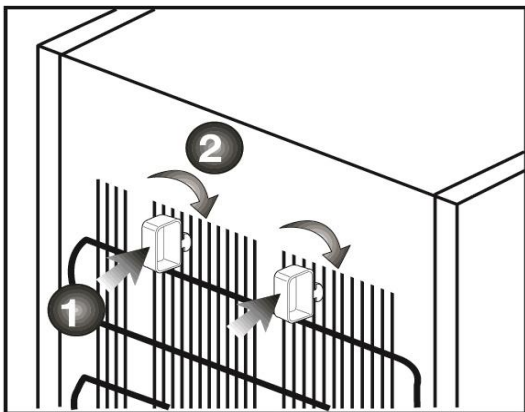
Mire kell figyelnie a hűtő áthelyezésekor

1. A hűtőszekrényt áramtalanítani kell. Szállítás előtt a hűtőszekrényt ki kell üresíteni, és ki kell tisztítani.
2. Újracsomagolás előtt a polcokat, tartozékokat, fiókfedőt stb. a hűtőn belül rögzíteni kell ragasztószalaggal és biztosítani a hatásokkal szemben. A csomagolást vastag szalaggal vagy kötéllal rögzítse, és feltétlenül tartsa be a szállítási szabályokat.
3. Őrizze meg az eredeti csomagolást, hogy a későbbiekben tudja miben szállítani a hűtőt.

A hűtő beüzemelése előtt

A hűtő használata előtt ellenőrizze a következőket:

1. Rögzítse a 2 műanyag éket az alábbi ábra szerint. A műanyag ékek célja a távolság tartása, ami biztosítja a légáramlást a hűtő és a fal között. (A kép illusztráció, nem azonos az Ön készülékével.)



2. A hűtőszekrény belsejét a "Karbantartás és tisztítás" c. fejezetben foglaltak szerint tisztítsa.

3. Csatlakoztassa a hálózati dugaszt a fali konnektorba. Ha az ajtó nyitva van, a hűtő belső világítása bekapcsol.
4. A kompresszor bekapcsolásakor egy hangot fog hallani. A hűtőrendszerben lévő folyadékok és gázok hangja akkor is hallható, ha a kompresszor nem üzemel.
5. Lehetséges, hogy a hűtő elülső éleit melegen érzi. Ez normális jelenség. Ezek a részek azért melegednek fel, hogy így elejét vegyék a páralecsapódásnak.

Elektromos csatlakoztatás

A terméket egy olyan földelt aljzathoz csatlakoztassa, mely el van látva megfelelő teljesítményű biztosítókkal. Fontos:

- A csatlakozásnak meg kell felelnie az országos normáknak.
- Ügyeljen rá, hogy a tápkábel könnyen hozzáférhető legyen a hűtő elhelyezése után.
- A hűtő elektromos biztonsága csak akkor biztosított, ha lakása földelőrendszere megfelel az előírásoknak.
- A termék belsejének bal oldalán található címkén szereplő feszültségnek egyeznie kell a hálózati feszültséggel.
- **Hosszabbítót és elosztót ne használjon a csatlakoztatáshoz.**

⚠ A sérült tápkábel cseréjét bízza szakemberre.

⚠ A terméket hibásan ne üzemeltesse! Ilyenkor ugyanis áramütés kockázata áll fenn!

A csomagolás leselejtezése

A csomagolóanyagok veszélyt jelenthetnek a gyermekekre nézve. Ezért tartsa a csomagoló anyagokat gyermekektől távol, vagy selejtezze le azokat a helyi hatóságok hulladékokra vonatkozó utasításai szerint. Ne dobja ki háztartási hulladékkal együtt, hanem a helyi hatóságok által meghatározott csomagolás gyűjtő pontokon.

A hűtő csomagolóanyaga újrahasznosítható anyagokból készült.

A régi hűtő leselejtezése

A hűtőt úgy selejtezze le, hogy ezzel ne okozzon kárt a környezetnek.

- A hűtő leselejtezésével kapcsolatban bővebb információt a hivatalos márkakereskedésekben ill. a hulladékgyűjtő központokban kaphat.

A hűtő leselejtezése előtt vágja el a tápkábelt, tegye használhatatlanná az ajtón lévő zárat (ha van), hogy a gyermekeket ne érhesse baj.

Elhelyezés és üzembe helyezés

⚠ Amennyiben a hűtőszekrény tárolására kijelölt szoba ajtaja nem elég széles, a hűtő ajtajainak eltávolításához hívja ki a hivatalos szerviz képviselőjét.

1. A hűtőszekrényt könnyen hozzáférhető helyre helyezze.

2. Tartsa távol a hűtőszekrényt a hőforrásoktól, a nedves helyektől és a közvetlen napsütéstől.

3. A hatékony működés érdekében a hűtőszekrényt egy jól szellőző helyen kell elhelyezni. Amennyiben a hűtőszekrényt egy fali bemélyedésbe helyezi be, a készülék körül minden irányból legalább 5 cm helyet kell hagyni. Ne helyezze a terméket olyan anyagokra, mint például vagy pokrócra, vagy szőnyegre.

4. A rázkódások elkerülése érdekében a hűtőszekrényt egy egyenes padlón helyezze el.

A lámpa cseréje

A hűtőszekrény lámpájának (izzó/LED) cseréjéhez, kérjük, hívja fel a szakszervizt.

A készülékben használt lámpa/lámpák nem alkalmasak háztartási szoba megvilágítására. A lámpa rendeltetésszerű célja, hogy segítsen az élelmiszert kényelmesen és biztonságosan a hűtőszekrénybe/fagyasztóba helyezni. A készülékben használt lámpáknak extrém környezeti hatásokat kell kibírniuk, mint pl. a -20 °C hőmérséklet.

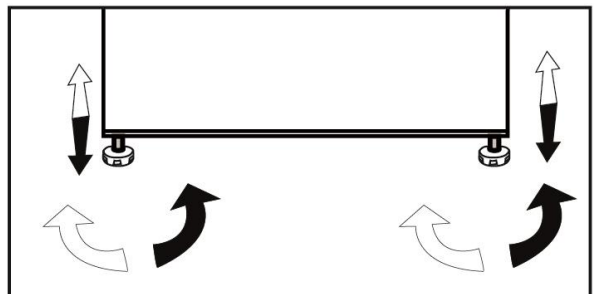
Az ajtó nyitási irányának módosítása

A hűtőszekrény ajtajának nyitási iránya a rendelkezésre álló hely függvényében módosítható. Amennyiben szükséges, kérjük, forduljon a legközelebbi hivatalos szervizhez.

Tartólábak beállítása

Ha a hűtő nem stabil;

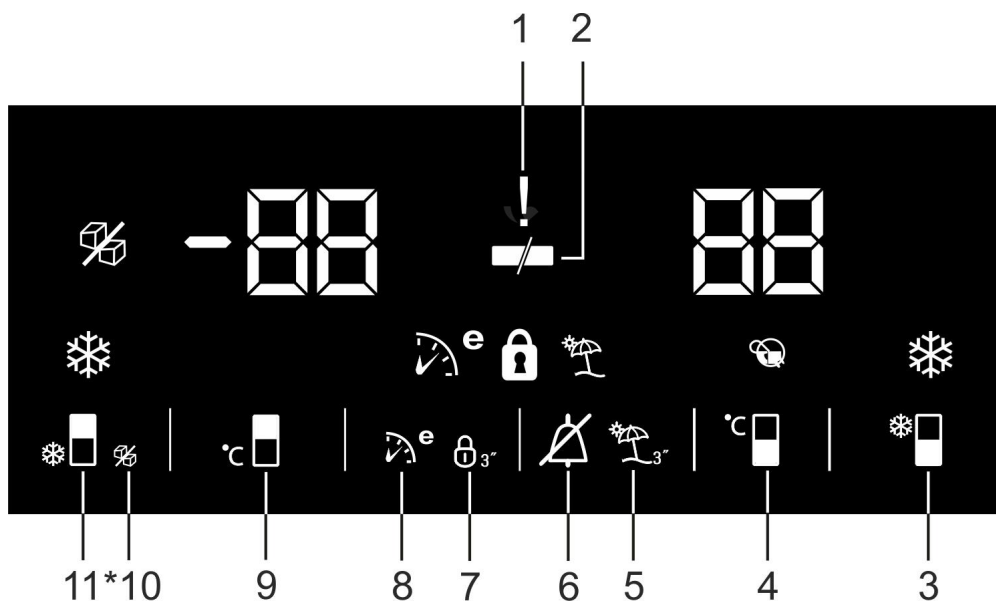
A hűtő stabilizálásához csavarja el az elülső lábakat az ábrán látható módon. A láb a fekete nyíl irányába csavarva lejjebb ereszkedik, míg az ellenkező irányba tekerve megemelkedik. A műveletet kényelmes elvégzéséhez két emberre van szükség.



4 Előkészületek

- A hűtőt legalább 30 cm-re kell elhelyezni minden hőforrástól (pl. kandalló, sütő, főzőlap), és legalább 5 cm-re az elektromos sütőktől. Ezenkívül óvni kell a közvetlen napsütéstől is.
- A helyiségben, ahol a hűtőt el kívánja helyezni, legalább 10 °C-os hőmérsékletnek kell lennie. Ennél hűvösebb helyen a hűtő optimális működését nem tudjuk garantálni.
- Kérjük, ügyeljen rá, hogy a hűtő belseje alaposan meg legyen tisztítva.
- Ha két hűtőt kíván egymás mellett elhelyezni, kérjük, hagyjon legalább 2 cm helyet közöttük.
- A hűtő első beüzemelésekor kérjük, tartsa be az alábbiakat az első hat óra üzemidő alatt.
- Ne nyitogassa gyakran az ajtót.
- Üresen, étel behelyezése nélkül kell üzemeltetni.
- Ne húzza ki a hűtőt. Áramkimaradás esetén kérjük, tekintse meg az "Problémák javasolt megoldása" c. részt.
- Őrizze meg az eredeti csomagolást, hogy a későbbiekben tudja miben szállítani a hűtőt.

5 A hűtőszekrény használata



Kijelző panel

A kijelző panel segítségével beállíthatja a hőmérsékletet és a készülék egyéb funkcióit anélkül, hogy ehhez ki kellene nyitnia az ajtót. Egyszerűen nyomja meg a kívánt funkció gombját.

1. Áramkimaradás-/Magashőmérséklet-/Hibajelző:

Ez a jelzőfény () akkor világít, ha áramkimaradás van, ha a hűtő hőmérséklete magas, vagy ha hiba lépett fel.

Tartós áramkimaradás esetén a digitális kijelzőn a fagyasztórekeszben mért legmagasabb hőmérséklet értéke villog. Ellenőrizze a fagyasztórekeszben elhelyezett élelmiszert (), majd nyomja meg a riasztást kikapcsoló gombot, a figyelmeztetés eltűnik.

Kérjük hivatkozzon az „Ajánlott megoldások

„a hibaelhárításra” szekcióra a leírásban abban az esetben ha ez a kijelző folyamatosan világít.


2. Energiatakarékos funkció (kijelző kikapcsolva):


Ha a termék ajtókat zárva kell tartani sokáig energiatakarékos funkció automatikusan bekapcsol 1 perc után és energiatakarékos szimbólum világít. () Amikor az energiatakarékos üzemmód aktiválásra kerül, minden egyéb szimbólum az energiatakarékos üzemmód szimbólumán kívül kikapcsolásra kerül. Amikor a készülék energiatakarékos üzemmódban van, és valamelyik gombot megnyomják, vagy a készülék ajtaját kinyitják, az energiatakarékos funkció automatikusan kikapcsol, és a kijelzőn a szimbólumok ismét megjelennek.


A gyárból történő kiszállításkor az energiatakarékos funkció aktiválva van, és ekkor azt nem lehet kikapcsolni.


i ***Választható:** Az ebben a leírásban található ábrák csupán csak minták, és lehetséges, hogy nem minden esetben felelnek meg tökéletesen a terméknek. Abban az esetben ha az ön terméke nem tartalmazza a releváns részeket, az itt feltüntetett információk egyéb modellekre vonatkoznak.

3. Gyorshűtési funkció

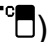
Nyomja meg ezt a gombot, hogy aktiválja vagy deaktiválja a gyors szakács funkció ()

 Akkor használja a gyorshűtés gombot, ha a hűtőrekeszbe helyezett ételt gyorsan le akarja hűteni. Ha sok friss ételt szeretne így lehűteni, akkor célszerű a funkciót még az étel behelyezése előtt aktiválni.



 Ha nem kapcsolja ki a gyorshűtés funkciót, akkor a hűtő 1 óra elteltével, ill. ha a hűtőszekrény rekesz elérte a kívánt hőmérsékletet, automatikusan megteszi ezt.

 Ez a funkció nem kerül visszaállításra áramkimaradás esetén.

4. Hűtőrekesz hőmérsékletbeállító gomb

A gomb megnyomásával a következő hőmérsékletfokokozatok között válthat: 8, 7,6, 5,4,3, 2,1, 8. A gomb segítségével állítsa be a hűtőrekesz kívánt hőmérsékletét. ()

5. Nyaralási funkció

A funkció aktiválásához tartsa nyomva a () gombot 3 másodpercig, ekkor kigyullad a nyaralási funkció jelzőfénye ()

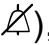
A nyaralási funkció aktiválásakor a “- -” szimbólum jelenik meg a hűtőrekesz hőmérséklet-kijelzőjén, és annak hűtése leáll.

A hűtőrekesz ekkor nem alkalmas élelmiszer tárolására. A többi tárolórekesz hűtése a beállításoknak megfelelően folytatódik.

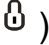
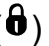
A funkció kikapcsolásához nyomja meg ismét a **Nyaralási Funkció** gombot.


6. Riasztó kikapcsolása

figyelmeztetés:


Áramkimaradásra vagy a magas hőmérsékletre történő figyelmeztetés esetén ellenőrizze a fagyasztórekeszben elhelyezett élelmiszert, majd nyomja meg a riasztást kikapcsoló gombot () , a figyelmeztetés eltűnik.

7. Billentyűzár

Nyomja meg a Billentyűzár gombot () folyamatosan 3 másodpercig. A () ikon megjelenik, és a billentyűzár mód aktiválva van. Aktív billentyűzár üzemmódban a gombok nem működnek. Nyomja meg a Billentyűzár gombot ismét folyamatosan 3 másodpercig. A billentyűzár ikon eltűnik, és kikapcsol a billentyűzár mód.


Nyomja meg a **billentyűzár** gombot, ha meg akarja akadályozni a hűtőszekrény hőmérsékleti beállításainak módosítását ()”).

8. Eco Fuzzy


Nyomja meg és tartsa eco fuzzy gombot egy alkalommal, hogy aktiválja eco fuzzy függvény. A fagyasztó a lehető legtakarékosabb üzemmódban fog elindulni legalább 6 órával később, és az gazdaságos használat visszajelzője bekapcsol, amíg a funkció aktív () . Az Eco Fuzzy funkció kikapcsolásához tartsa lenyomva az eco fuzzy gombot 3 másodpercig.


A jelzőfény az eco fuzzy funkció aktiválása után 6 órával kigyullad.

9. Fagyasztó hőmérsékletbeállító gomb

A gomb megnyomásával a következő hőmérsékletfokokozatok között válthat: - 18,-19,-20,-21, -22, -23,-24, -18... A gomb segítségével állítsa be a fagyasztó kívánt hőmérsékletét. ()

10. Icematic kikapcsolása jelző (Csak termékek icematic gép)

Jelzi, hogy az icematic be/kikapcsolt állapotban van-e. () Ha ez világít, az icematic nem működik. Ahhoz, hogy újból működésbe hozza az icematic-ot, nyomja meg és tartsa nyomva az Be-ki gombot 3 másodpercig.

 Vízáramlás a víztartályból leáll e funkció kiválasztásakor. A már kész jég ugyanakkor kivehető az icematic-ból.

11. Gyorsfagyasztás funkció / icematic Be-ki gomb

Ezzel a gombbal aktiválhatja és kapcsolhatja ki a gyorsfagyasztás funkciót. Amikor aktiválja a funkciót, a fagyasztó a beállítottnál alacsonyabb hőmérsékletre hűl le mint az előzetesen beállított hőmérséklet. (🔌)

📌 Ahhoz, hogy be- és kikapcsolja az icematic-ot, nyomja meg és tartsa nyomja 3 másodpercig (Csak termékek icematic gép).

Akkor használja a gyorsfagyasztás gombot, ha a hűtőrekeszbe helyezett ételt gyorsan le akarja fagyasztani. Ha sok friss ételt szeretne így lefagyasztani, akkor célszerű a funkciót még az étel behelyezése előtt aktiválni.

📌 Ha nem kapcsolja ki a gyorsfagyasztás funkciót, akkor a hűtő 25 óra elteltével, ill. ha a hűtőszekrény rekesz elérte a kívánt hőmérsékletet, automatikusan megteszi ezt.

📌 Ez a funkció nem kerül visszaállításra áramkimaradás esetén.

Dupla hűtőrendszer:

A hűtőszekrény két különálló hűtőrendszerrel rendelkezik, az egyik a hűtőrekesz hűtésére, míg a másik a fagyasztó hűtésére szolgál. Ennek köszönhetően a hűtőrekeszben és a fagyasztóban lévő levegő nem keveredik össze.

A két különálló hűtőrendszernek köszönhetően, a hűtési sebesség a többi hűtőszekrénytípushoz képest sokkal nagyobb. A rekeszekben lévő illatok nem keverednek össze. Ezenfelül, a két hűtőrendszer energiát is megtakarít, mivel a leolvasztást külön-külön lehet elvégezni.

A vízadagoló használata

*választható

i Előfordulhat, hogy az adagoló által adott első pár pohár víz meleg lesz.

i Abban az esetben, hogy ha a vízadagolót sokáig nem használta, az első néhány pohár vizet öntse ki, hogy friss vizet kaphasson.

1. Nyomja meg a vízadagoló karját a pohárral. Ha puha műanyagpoharat használ, a kart kézzel könnyebben tudja majd lenyomni.
2. Miután megtöltötte a poharat a kívánt szintre, engedje el a kart.

i Kérjük jegyezze meg, hogy a víz mennyisége attól függ, mennyire nyomja meg a kart. Ahogy a vízszint emelkedik a bögrében / pohárban, lassan csökkentse a nyomást a karon, hogy elkerülje a túlfolyást.

Ha csak kicsit nyomja meg a kart, akkor a víz csöpög; ez nem hiba.

A vízadagoló víztartályának feltöltése

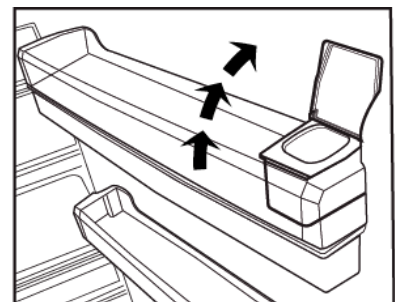
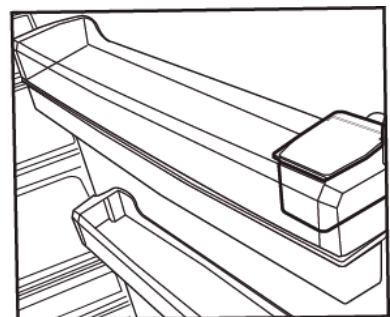
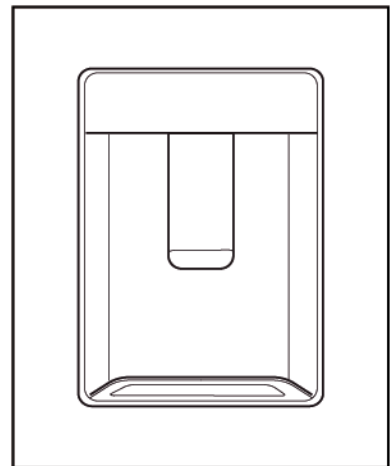
A víztartály töltőtartálya az ajtórekeszben található.

1. Nyissa fel a víztartály fedelét.
2. Töltse fel a tartályt friss ivóvízzel.
3. Zárja le a fedelet.

i A vízadagolóba kizárólag vizet öntsön! Gyümölcslé, szénsavas üdítő vagy alkoholos ital tárolására a vízadagoló nem alkalmas! Ha ilyen italokat önt a vízadagolóba, akkor az a rendszer meghibásodásához fog vezetni. A garancia nem fedi le az ilyenfajta felhasználási módot.

Az ezekben az italokban található vegyi- és adalékanyagok károsíthatják a víztartályt.

i Csak is tiszta ivóvizet használjon.

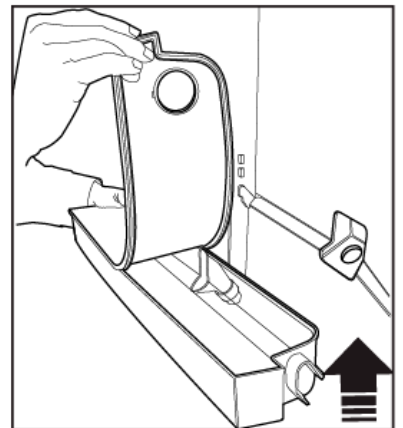
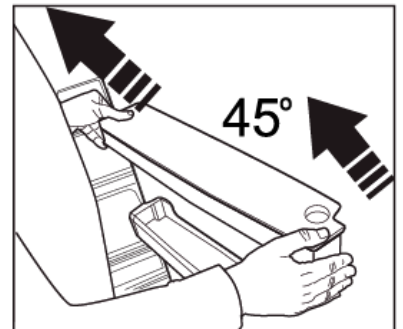
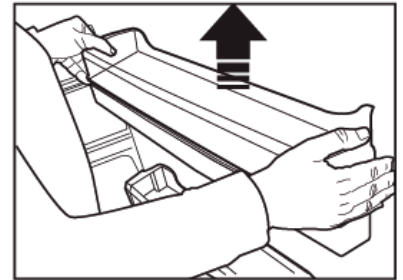
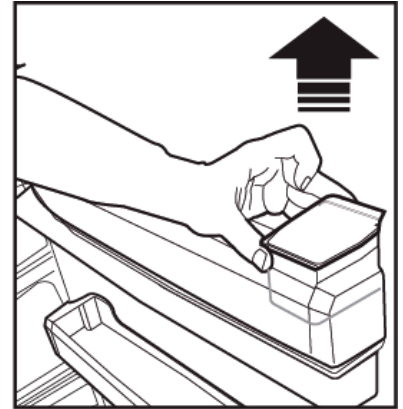


i A víztartály úrtartalma 3 liter; ne töltse túl.

A víztartály tisztítása

1. Távolítsa el a vízadagoló tartályt az ajtórekeszből.
2. Távolítsa el az ajtórekeszt mindkét oldalról tartva.
3. Fogja meg a víztartályt mindkét oldalról, majd távolítsa el 45 fokos szögben.
4. Távolítsa el a víztartály fedelét, majd tisztítsa meg a tartályt.

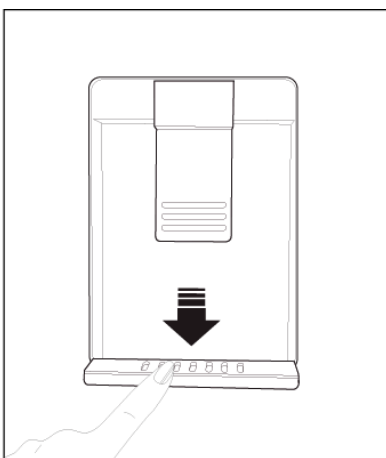
i A vízadagoló és a víztartály részei mosogatógépben nem moshatók.



Cseptálca

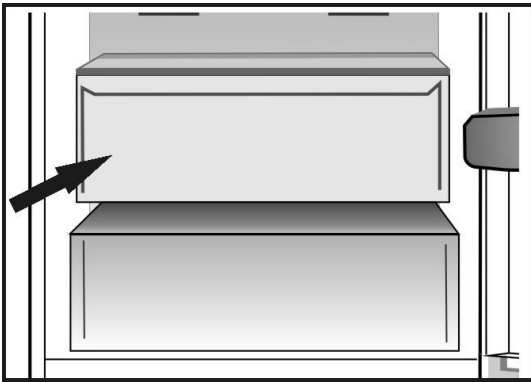
A vízadagoló használata közben lecsepegő víz a víztálcán gyűlik össze. Vegye ki a műanyagszűrőt az ábrán mutatottak szerint.

Egy tiszta és száraz ruhával távolítsa el a felhalmozódott vizet



Tárolóegység romlandó élelmiszerek tárolására (alacsony hőmérséklet \ -2°C - +3°C).

Ezt a tárolóegységet a lassan kiengedő fagyasztott étel (hús, hal, baromfi stb.) tárolására tervezték. Az alacsony hőmérsékletű tárolóegység, a hűtőgépben megtalálható leghidegebb hely ahol ideális hőmérsékleten tárolhatunk tejtermékeket (sajt, vaj), húsokat, halat vagy csirkét. Ebbe az egységbe ne helyezzen zöldségeket és/vagy gyümölcsöket.



Nedvesség szabályzott zöldség tároló

*választható

A nedvesség szabályozással, a zöldségek és gyümölcsök nedvesség tartalma megfigyelés alatt lesz, ezzel is meghosszabbítva az adott termék azon időtartamát amíg az friss marad. Ajánlott a leveles zöldségek olyanok mint pl., saláta, spenót, és hasonlók amelyek hajlamosak nedvesség vesztesésre, hogy a tartóban vízszintes pozícióban tároljuk őket, és nem a gyökereikre állítva. Amikor elhelyezzük a zöldségeket vegyük figyelembe azok méretét, és súlyát, így a nehéz, és masszívabb darabokat helyezze a tároló aljára, és a könnyű darabokat a tetejére. Ne tárolja a zöldségeket műanyag zacskóban. Ellenkező esetben a zöldségek gyorsan megromolhatnak.

Abban az esetben ha a zöldségeket el akarja különíteni egymástól, használjon csomagolóanyagot olyan papírt amely megfelelő porozitással rendelkezik. Ne tegyen olyan gyümölcsöket ugyan abba a tárolóba egyéb gyümölcs illetve zöldség mellé, amelyeknek magas az etilén gáztermelésük, olyanok mint pl. körte, sárgabarack, őszibarack, és különösképp az alma. Ezek a gázok az egyéb tárolt zöldségek és gyümölcsök rövid időn belüli rothadását eredményezhetik.

Friss étel fagyasztása

- Csomagolja be vagy fedje le az élelmiszert, mielőtt a hűtőszekrénybe helyezné.
- A forró élelmiszert hagyja lehűlni szobahőmérsékletre, mielőtt behelyezné a hűtőszekrénybe.
- A hűteni kívánt élelmiszer legyen friss és jó minőségű.
- Az élelmiszert adagokra kell osztani a család napi vagy étkezésenkénti fogyasztása alapján.
- Az élelmiszert légmentesen záró csomagolásba kell helyezni, hogy ne száradhasson ki, még akkor is, ha rövid ideig tárolja.
- A csomagoláshoz használt anyagok legyenek ellenállóak a hideggel és a párával szemben, és záródjanak légmentesen. Az élelmiszer csomagolóanyagának elég vastagnak és tartósnak kell lennie. Különben a fagyás miatt megszilárdult élelmiszer átszűrhatja a csomagolását. Az élelmiszer biztonságos tárolása érdekében fontos, hogy a csomagolóanyag biztosan le legyen zárva.
- A lefagyasztott élelmiszert felengedésük után azonnal használja fel, és soha ne fagyassza újra.
- A mélyhűtőbe helyezett meleg étel a hűtőrendszer folyamatos működését eredményezi, amíg az étel teljesen meg nem fagy.

●Kérjük, kövesse a következő utasításokat, hogy a legjobb eredményeket érje el.

1. Ne fagyasszon le egyszerre túl nagy mennyiségű élelmiszert. Az étel minősége akkor a őrizhető meg a legjobban, ha minél gyorsabban van lefagyasztva.

2. Különösen figyeljen arra, hogy ne keverje a már lefagyasztott és friss ételeket.

3. Gondoskodjon arról, hogy a nyers ételek nem érintkeznek a főtt ételekkel a hűtőszekrényben.

4. A fagyasztott élelmiszerek tárolására szolgáló maximális hely úgy biztosítható, ha kiveszi a fagyasztórekeszben található fiókokat.

5. Az élelmiszert ajánlatos előzetes fagyasztásra a fagyasztó felső polcán elhelyezni.

Tudnivalók a mélyfagyasztásról

A élelmiszert a lehető leggyorsabban kell lefagyasztani miután a hűtőbe helyezte, hogy megtartsa jó minőségét.

A TSE szabvány megköveteli (bizonyos mérési körülmények szerint), hogy a hűtő legalább 4,5 kg élelmiszert 32 °C-os környezeti hőmérsékleten -18°C-ra vagy kevesebbre hűti 24 órán belül a hűtő teljes, 100 literes térfogatával.

Élelmiszert csak -18°C-on vagy annál alacsonyabb hőmérsékleten lehet hosszú ideig eltárolni.

Az élelmiszer frissességét több hónapig megtarthatja (-18°C-on vagy alacsonyabb hőmérsékleten mélyfagyasztásban).

FIGYELMEZTETÉS!⚠

●Az élelmiszert adagokra kell osztani a család napi vagy étkezésenkénti fogyasztása alapján.

● Az élelmiszert légmentesen záró csomagolásba kell helyezni, hogy ne száradhasson ki, még akkor is, ha rövid ideig tárolja.

Csomagoláshoz szükséges anyagok:

- Hidegálló ragasztószalag
- Öntapadó címke
- Gumigyűrűk
- Toll

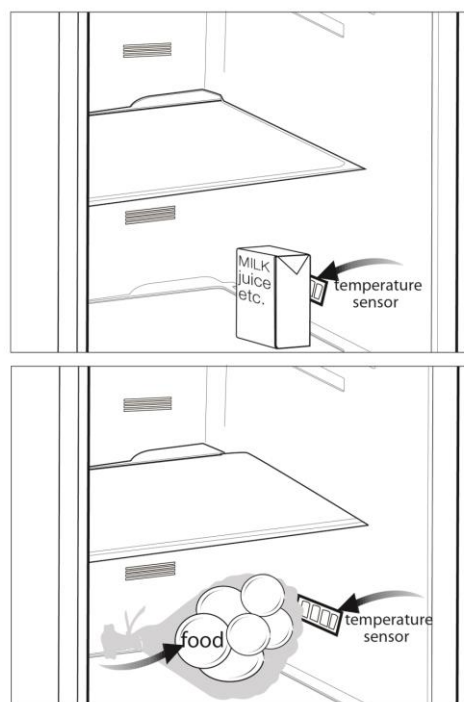
A csomagoláshoz használt anyagok legyenek ellenállóak a szakadással, hideggel, párával, szagokkal, olajokkal és savakkal szemben.

A fagyasztandó élelmiszer ne kerüljön kapcsolatba korábban lefagyasztott dolgokkal, hogy megakadályozza azok részleges kiolvadását. A kiolvadt ételt el kell fogyasztani, és nem szabad újrafagyasztani.

Javaslatok a friss élelmiszer rekeszhez

*választható

- Az étel nem érhet hozzá a hőmérséklet-érzékelőhöz a tárolóban. Ahhoz, hogy az fagyasztórekesz megtarthassa az ideális hőmérsékletét, az étel nem érhet hozzá az érzékelőhöz.
- Ne helyezzen forró ételeket a hűtőszekrénybe.



Fagyasztórekesz beállítása	Hűtörekesz beállítása	Magyarázatok
-18°C	4°C	Ez a normál ajánlott beállítás.
-20, -22 vagy -24°C	4°C	Ezeket a beállításokat akkor ajánljuk, ha a környezeti hőmérséklet meghaladja a 30 °C-ot.
Gyorsfagyasztás	4°C	Akkor használja, amikor rövid idő alatt kívánja lefagyasztani az élelmiszert. Használata a hús- és haltermékek minőségének megőrzésére ajánlott.
-18 °C vagy hidegebb	2°C	Ha úgy gondolja, hogy a hűtörekesz nem elég hideg (mert a lakásban meleg van, vagy mert sűrűn nyitogatja a hűtő ajtaját).
-18 °C vagy hidegebb	Gyorshűtés	Ez a funkció akkor hasznos, ha a hűtörekesz tele van, vagy ha szeretné gyorsan lehűteni az ételeket. Javasolt a gyorsítási funkció aktiválása 4-8 órával az élelmiszer behelyezése előtt.

Tippek a fagyasztott ételek tárolásához

- Az előrecsomagolt, mélyhűtött ételeket az ételek gyártója által a csomagoláson feltüntetett utasítások szerint kell tárolni.

- A mélyhűtött ételek a gyártó és az árusító üzlet által szolgáltatott magas minőségének megőrzése érdekében tartsa be az alábbiakat:

1. A vásárlás után minél gyorsabban tegye be az ételeket a fagyasztóba.

2. Ügyeljen rá, hogy a csomagon fel legyen tüntetve tartalom és a dátum.










3. Ügyeljen a lejáratú időre (lásd az ételek csomagolását).


Kiolvasztás

A fagyasztórekesz automatikusan leolvasztja magát.


Élelmiszer elhelyezése

Fagyasztó rekesz polcai	Különböző fagyasztott élelmiszerek, például hús, hal, jégkrém, zöldségek stb.
Tojástartó	Tojás
Hűtőszekrény rekesz polcok	Serpenyőben, lefedett tányéron és zárt tartókban lévő élelmiszer
Hűtörekesz ajtópolcai	Kis és csomagolt élelmiszer és italok (például tej, gyümölcsle és sör)
Rekesz	Zöldségek és gyümölcsök
Friss étel rekesz	Delikát termékek (sajt, vaj, szalámi stb.)

-  Tisztításhoz sose használjon benzint vagy hasonló szert.
-  Tisztítás előtt célszerű kihúzni a berendezést.
-  Soha ne használjon éles, csiszoló anyagot, szappant, háztartási tisztítót, tisztítószeret vagy viaszpolitúrt a tisztításhoz.
-  Használjon langyos vizet a hűtő belsejének tisztításához, és törölje szárazra azt.
-  A belső rész tisztításához mártson egy ruhát fél liter vízbe, amelyben feloldott egy teáskanál szódabikarbónát, csavarja ki, és törölje át vele a belsőt, majd törölje szárazra.
-  Ügyeljen rá, hogy ne kerüljön víz a lámpabúra alá ill. ne kerüljön kapcsolatba más elektromos résszel.
-  Ha a hűtőt hosszú ideig nem használják, húzza ki a konnektorból, távolítsa el minden élelmiszert, tisztítsa meg, és hagyja félig nyitva az ajtót.
-  Rendszeresen ellenőrizze az ajtótmítéseket, hogy meggyőződjön róla, hogy tiszták és ételmaradékoktól mentesek.
-  Az ajtópolcok eltávolításához vegyen ki onnan mindent, majd egyszerűen tolja fel az alapzatról.

 A termék külső felületeinek és a krómbevonatos részek tisztításához soha ne használjon tisztítószeret vagy klórt tartalmazó vizet. A klór korróziót okoz az ilyen fémfelületeken.

A műanyag felületek védelme

 Fedetlenül ne tegyen be olajat vagy olajban sült ételeket a hűtőbe, mert az olaj kárt tesz a hűtő műanyag részeiben. Amennyiben olaj kerül a műanyag felületekre, öblítse le és tisztítsa meg az adott részt langyos vízzel.

7 Hibaelhárítás

Kérjük, mielőtt kihívná a szervizt, olvassa át a következő listát. Ezzel időt és pénzt takaríthat meg. Ez a lista azon gyakran előforduló panaszokat tartalmazza, melyek nem a hibás gyártásból vagy anyagokból erednek. Az itt ismertetett tulajdonságok közül nem

A hűtőszekrény nem működik.

- A hálózati dugasz nincs megfelelően csatlakoztatva a konnektorba.
>>>Csatlakoztassa biztonságosan a hálózati dugaszt a konnektorba.
- Kiment a főbiztosíték, vagy annak a konnektornak a biztosítóka, amelyikhez a hűtőszekrény csatlakozik. >>>Ellenőrizze a biztosítékot.

Lecsapódás található a fagyasztó oldalfalán (MULTIZONE, COOL CONTROL vagy FLEXI ZONE).

- A külső környezeti hőmérséklet nagyon hideg. >>>Ne működtesse a hűtőszekrényt olyan helyiségben, amelynek a hőmérséklete 10°C alatt van vagy az alá esik.
- Az ajtót gyakran kinyitották. >>>A hűtőszekrényt nem szabad gyakran nyitogatni.
- A külső környezeti hőmérséklet nagyon nyirkos. >>>Ne működtesse a hűtőszekrényt nagyon nyirkos helyiségben.
- Folyékony ételt nyitott edényben tárolnak. >>>Folyékony ételt ne tároljon fedél nélküli edényben.
- A hűtőszekrény ajtaját nyitva hagyták. >>>Csukja be a hűtőszekrény ajtaját.
- A termosztátot nagyon alacsony fokra állították. >>>Állítsa a termosztátot megfelelő fokra.

A kompresszor nem működik

- Váratlan áramszünet vagy a hálózati csatlakozó dugó ki-behúzása közben a kompresszor biztosítóka kiolvad, mert a hűtőszekrény hűtőrendszerében a nyomás nem egyenletes. A hűtőszekrény kb. 6 perc után fog bekapcsolni. Kérjük, hívja ki a szervizt, ha a hűtőszekrény ezután sem indulna el.
- A hűtőszekrény kiolvasztási ciklusban van. >>>Ha a hűtőszekrény kiolvasztása teljesen automatizált, ez normális állapot. Az olvasztási ciklus megadott időközönként megy végbe.
- A hűtőszekrény nincs csatlakoztatva a konnektorba. >>>Csatlakoztassa megfelelően a csatlakozó dugót a konnektorba.
- A hőmérséklet beállítása nem megfelelő. >>>Válasszon megfelelő hőmérsékletet.
- Áramszünet van. >>>Amikor az áramszolgáltatás helyreáll, a hűtőszekrény ismét normálisan fog működni.

A működési zaj a hűtő működése közben egyre hangosabb.

- A hűtőszekrény működési teljesítménye a környezeti hőmérséklet változásának függvényében változik. Ez teljesen normális, nem utal hibára.

A hűtőszekrény gyakran vagy hosszú ideig működik.

- Lehet, hogy az új termék szélesebb, mint az előző. A nagyobb hűtőszekrények hosszabb ideig működnek.
- A szoba hőmérséklete magas. >>>Magas hőmérséklet esetén a készülék hosszabb működése normális.
- A hűtőszekrény talán nem régen lett áram alá helyezve, vagy tele lett pakolva élelmiszerrel.
>>>Amikor a hűtőszekrényt nemrég csatlakoztatták, vagy töltötték meg élelmiszerrel, akkor a beállított hőmérséklet elérése tovább tart. Ez normális jelenség.
- Nagyobb mennyiségű forró ételt tettek be a hűtőszekrénybe. >>>Ne tegyen forró ételt a hűtőszekrénybe.
- Gyakran nyitották vagy hosszabb időre nyitva hagyták a hűtő ajtaját. >>>A hűtőszekrénybe került meleg levegő miatt a készülék tovább működik. Ne nyissa ki az ajtókat túl gyakran.
- A fagyasztó vagy a hűtő rész ajtaja lehet, hogy nyitva maradt. >>>Ellenőrizze, hogy az ajtók megfelelően be vannak-e csukva.
- A hűtőszekrényt nagyon alacsony hőmérsékletre állították be. >>>Állítsa a hűtő hőfokát magasabbra, és várja meg, amíg a megfelelő hőmérsékletet eléri.
- A hűtő ajtajának szigetelése elképzelhető, hogy koszos, kopott, törött vagy nem megfelelően van behelyezve. >>>Tisztítsa meg vagy cserélje ki a szigetelést. A sérült/törött szigetelés hatására a tovább ideig működik annak érdekében, hogy fenn tudja tartani az aktuális hőmérsékletet.

A fagyasztó hőmérséklete túl alacsony, miközben a hűtő hőmérséklete megfelelő.

- A fagyasztó nagyon alacsony értékre lett állítva. >>>Állítsa a fagyasztó hőmérsékletét magasabbra, és ellenőrizze.

A hűtő hőmérséklete túl alacsony, miközben a fagyasztó hőmérséklete megfelelő.

- A hűtő hőmérséklete nagyon alacsony értékre lett állítva. >>>Állítsa a hűtő hőmérsékletét magasabbra, és ellenőrizze.

A hűtő fiókjában tartott élelmiszer megfagyott.

- A hűtő hőmérsékletét nagyon magas fokra állították be. >>>Állítsa a hűtő hőfokát alacsonyabb fokra, és ellenőrizze az eredményt.

A hűtő vagy a fagyasztó hőmérséklete nagyon magas.

- A hűtő hőmérsékletét nagyon magas fokra állították be. >>>A hűtő hőfokának a beállítása hatással van a fagyasztó hőmérsékletére. Változtassa meg a hűtő vagy a fagyasztó hőmérsékletét, és várjon amíg a megfelelő rekeszek eléri a megfelelő hőmérsékletet.
- Az ajtókat gyakran nyitogatták, vagy hosszabb időre nyitva felejtették. >>>A hűtőt nem szabad gyakran nyitogatni.
- Nyitva van az ajtó. >>>Csukja be az ajtót teljesen.
- A hűtőszekrényt nemrég kapcsolták be, vagy töltötték meg élelmiszerrel. >>>Ez normális.
Amikor a hűtőszekrényt nemrég csatlakoztatták vagy töltötték meg élelmiszerrel, akkor tovább fog tartani elérni a beállított hőmérsékletet.
- Nagyobb mennyiségű forró ételt tettek be a hűtőszekrénybe. >>>Ne tegyen forró ételt a hűtőszekrénybe.

Rezgés vagy zaj.
<ul style="list-style-type: none"> • A padló egyenetlen vagy nem szilárd. >>> Ha a hűtőszekrény mozog, a lábak állításával kell kiegyensúlyozni. Győződjön meg arról is, hogy a padló elég erős-ehoz, hogy elbírja a hűtőszekrényt. • A hűtőszekrény tetejére tett tárgyak egymáshoz verődnek, és ez okozza a zörejt. >>>A hűtőszekrény tetejéről le kell venni a feltett tárgyakat.
A hűtőszekrényből szokatlan zajok hallhatók, mintha valami kifolyt volna vagy spriccelne stb.
<ul style="list-style-type: none"> • A hűtőszekrény működésének megfelelő folyadék vagy gázáramlás történik. Ez teljesen normális, nem utal hibára.
Sípolás jön a hűtőszekrényből.
<ul style="list-style-type: none"> • A ventilátorok működnek, és a hűtőszekrény hűtésére szolgálnak. Ez normális, nem utal hibára.
Kondenzáció a hűtőszekrény belső falain.
<ul style="list-style-type: none"> • A meleg vagy párás levegő növeli a jégképződést és a kondenzációt. Ez normális, nem utal hibára. • Az ajtókat gyakran nyitogatták, vagy hosszabb időre nyitva felejtették. >>>A hűtőt nem szabad gyakran nyitogatni. Zárja be őket, ha nyitva vannak. • Nyitva van az ajtó. >>>Csukja be az ajtót teljesen.
Pára jelenik meg a hűtőszekrény külső részén vagy az ajtók közt.
<ul style="list-style-type: none"> • Elképzelhető, hogy pára van a levegőben; párás időben ez teljesen normális. Ha a páratartalom kevesebb lesz, a kondenzáció eltűnik.
Kellemetlen szag érezhető a hűtőben.
<ul style="list-style-type: none"> • Nem végeztek rendszeres tisztítást. >>>Egy szivacs, langyos víz vagy szóda segítségével rendszeresen tisztítsa meg a hűtőszekrény belső részét. • A szagot lehet, hogy a tárolóedények vagy csomagolóanyagok okozzák. >>>Használjon másik tárolóedényt vagy más gyártótól származó csomagolóanyagot. • A hűtőbe helyezett élelmiszerek fedetlen tárolóedényekben vannak. >>>Tartsa az élelmiszereket zárt tárolóedényekben. A lefedetlen edényekből kiszabaduló mikroorganizmusok kellemetlen szagokat okozhatnak. • Dobja ki azokat az élelmiszereket, amelyek szavatossága lejárt és megromlottak.
Az ajtó nem zárul be.
<ul style="list-style-type: none"> • Az élelmiszerek csomagolásai megakadályozhatják az ajtó becsukódását. >>>Távolítsa el azokat a csomagolásokat, melyek akadályozzák az ajtó becsukását. • A hűtőszekrény nem áll egyenesen a padlón. >>>Állítsa be a lábakat a hűtőszekrény kiegyenlítéséhez. • A padló nem egyenes vagy nem elég erős. >>>Győződjön meg róla, hogy a padló egyenes, illetve elég erős ahhoz, hogy elbírja a hűtőszekrényt.
A rács beragadt.
<ul style="list-style-type: none"> • Az élelmiszer lehet, hogy hozzáér a fiók tetejéhez. >>>Rendezze át az élelmiszereket a fiókban.



www.beko.com

4578335787/AE
EN-FR-D-HU