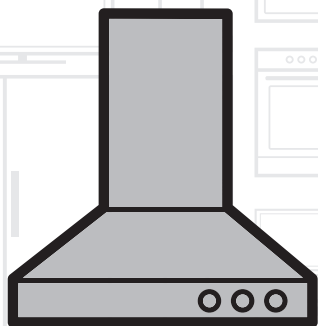


Cooker Hood

User Manual



HCB93041XB

EN

01M-8850793200-0116-02

beko

Please read this manual first!

Dear Customers!

Thank you for preferring a Beko product. We hope that you get the best results from your product which has been manufactured with high quality and state-of-the-art technology. Therefore, please read this entire user manual and all other accompanying documents carefully before using the product and keep it as a reference for future use. If you handover the product to someone else, give the user manual as well. Follow all warnings and information in the user manual.

Remember that this user manual is also applicable for several other models. Differences between the models are explicitly described in the manual.

Meanings of the Symbols

Following symbols are used in the various section of this manual:



Important information and useful hints about usage.



WARNING: Warnings for dangerous situations concerning the safety of life and property.



Warning for electric shock.



Warning for hot surfaces.



This product has been manufactured in environmental friendly modern plants without giving any harm to the nature.

This appliance conforms to the WEEE regulation.

CONTENTS

1 Important safety and environmental instructions 4

- 1.1 General safety 4
- 1.1.1 Electrical safety 4
- 1.1.2 Product safety 5
- 1.1.3 Children's safety 6
- 1.2 Intended use 6
- 1.3 Compliance with WEEE Directive and disposing of the waste product 7
- 1.4 Package information 7

2 Technical specifications of your appliance 8

- 2.1 Controls and parts 8
- 2.2 Technical data 8

3 Installing your appliance 9

- 3.1 Wall drilling and bracket fixing 9
- 3.1.1 Wall mounting 9
- 3.2 Aligning the hood body 9
- 3.3 Connection 10
- 3.3.1 Ducted mode air exhaust system 10
- 3.3.2 Ducted 10
- 3.4 Chimney assembly 10
- 3.4.1 Upper chimney 10
- 3.4.2 Lower chimney 11

4 Operating your appliance 12

5 Cleaning and maintenance 13

- 5.1 Surfaces 13
- 5.2 Aluminium surfaces filters 13
- 5.3 Light replacement 13

6 Troubleshooting 14

This section contains safety instructions that will help protect from risk of personal injury or property damage. Failure to follow these instructions invalidates the granted warranty.

1.1 General safety

- Always have the installation and repairing procedures carried out by the Authorized Service Agent. Manufacturing firm shall not be held responsible for damages that may be caused by unauthorized persons.
- This appliance is not intended for use by persons (including children) with reduced physical, sensory or mental capabilities, or lack of experience and knowledge. Children should be supervised to ensure that they do not play with the appliance.

1.1.1 Electrical safety

- Always unplug the appliance from the mains supply during installation, maintenance, cleaning and repair operations.

- If the power cable is faulty, it should be replaced by a qualified person certified by the manufacturer, after-sales service or similar (preferably an electrician) or a person described by the importer.
- Operating voltage is 220 to 240 volts.
- If the appliance has a failure, it should not be operated unless it is repaired by the Authorized Service Agent. There is the risk of electric shock!
- Do not route power cable close to hobs. Otherwise power cable may cause fire since it melts down easily.
- Never plug the hood before installation is completed.
- In order to obtain the best performance, external conductor must not be longer than 4 m. It must not contain more than 2 perpendicular (90°) angles and its diameter must be min. $\varnothing 120$ mm.
- Disconnect the appliance from mains before any intervention to the internal parts of the appliance.
- Use the appliance with a grounded outlet only.

1.1.2 Product safety

- You can use a pipe with a diameter of 120 mm or 150 mm on the flue connection of the hood.
 - Do not make connections to the flues connected with stoves, exhaust shafts or flues with rising flames. Observe the rules set by authorities on the discharge of exhaust air.
 - Do not operate the hood without aluminum filters and do not remove the filters while it is operated.
 - Never touch the hood's lamps after they are operated for a long time. Hot lamps may burn your hand.
 - Avoid large flames beneath the product. Otherwise, particles on oil filter may ignite and lead to a fire.
 - Turn on the hobs after placing pans or pots on it. Otherwise, rising heat may deform certain parts of your product.
 - Turn off the hobs before taking away pans or pots.
 - Avoid inflammable materials under the hood.
 - Oil may ignite while frying foods.
- Therefore, be careful about cloths and curtains.
- Never leave the cooker unattended when frying foods; otherwise hot oil may cause fire.
 - There is the risk of fire if your hood is not cleaned in the specified periods.
 - Be extremely careful and wear gloves when cleaning the hood.
 - We advise you to operate the appliance a few minutes before starting to cook in order to increase the suction power. Thus, you shall have a continuous and stable suction power when the vapors arise.
 - Operate your hood for 15 minutes more after the end of cooking or frying in order to remove the smell and cooking vapor in the kitchen.
 - When the hood is in use, especially together with gas cookers, make sure that environment is ventilated with clean air.
 - Pay attention not to connect the appliance to the flues used by non-electrical devices. (E.g.: Heater flue).

Important safety and environmental instructions

- Simultaneous and smooth operation of the hood and another device that require air is only possible when a low pressure of 4 Pa (0.04 mbar) is reached, and thus the reabsorption of the gas is avoided. This can only be achieved by means of air coming from uncovered openings (door, window, ventilation openings or other technical measures). Pay utmost attention to provide sufficient air flow. A flue that provides air ingress/egress is not enough for this purpose.
- This appliance can be used by the children who are at the age of 8 or over and by the people who have limited physical, sensory or mental capacity or who do not have knowledge and experience, as long as they are supervised with regard to safe use of the product or they are instructed accordingly and understand the risks of using the product. Children should not play with the appliance.
- **CAUTION:** Accessible parts may heat up when used with a cooking device.

1.1.3 Children's safety

- Packaging materials are dangerous to children. Keep packaging materials in a safe place out of reach of children.
- Electrical appliances are dangerous to children. Keep children away from the product. Do not allow children play with the appliance.

1.2 Intended use

- This appliance is intended for domestic use. It is not suitable for commercial use and it must not be used out of its intended use.
- The manufacturer shall not be liable for any damage caused by improper use or handling.
- Service life of your appliance is 10 years. This is the period required for availability of spare parts for proper functioning of the product.
- **WARNING:** Failure to fix the screws in concordance with the instructions provided in the manual may lead to electrical hazards.

1

Important safety and environmental instructions

1.3 Compliance with WEEE Directive and disposing of the waste product



This product complies with EU WEEE Directive (2012/19/EU). This product bears a classification symbol for waste electrical and electronic equipment (WEEE).

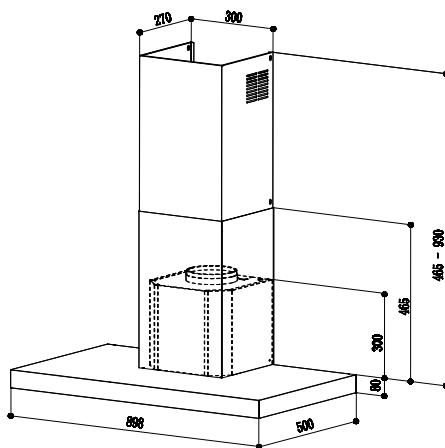
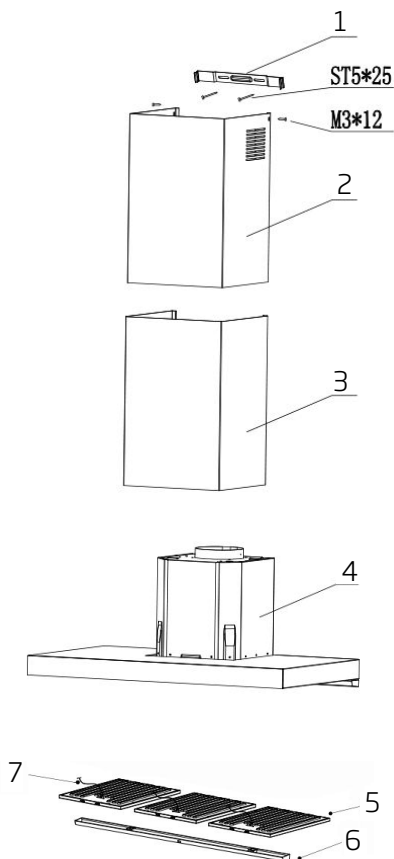
This product has been manufactured with high quality parts and materials which can be reused and are suitable for recycling. Do not dispose of the waste product with normal domestic and other wastes at the end of its service life. Take it to the collection center for the recycling of electrical and electronic equipment. Please consult your local authorities to learn about these collection centers.

1.4 Package information



Package of the product is made of recyclable materials in accordance with our National Legislation. Do not dispose of the packaging materials together with the domestic or other wastes. Take them to the packaging material collection points designated by the local authorities.

2 Technical specifications of your appliance



2.1 Controls and parts

1. Chimney Mounting Bracket
2. Upper Chimney Cover
3. Lower Chimney Cover
4. Motor Housing
5. Baffle Filters
6. Safety wire
7. Long oil cup

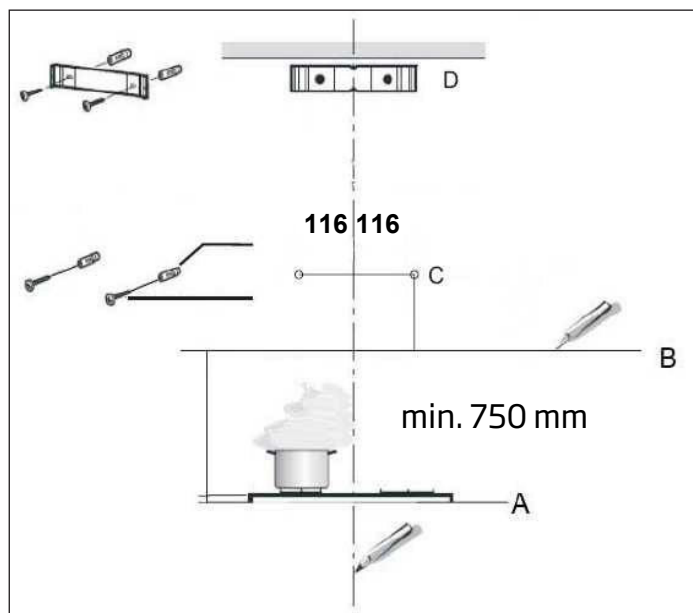
2.2 Technical data

Power consumption	220-240V ~50Hz
Absorption	400 W

Markings on the product or the values stated in other documents supplied with the product are values obtained under laboratory conditions as per relevant standards. These values may vary depending on operational and environmental conditions of the product.

3 Installing your appliance

3.1 Wall drilling and bracket fixing



3.1.1 Wall mounting

- Draw a vertical line on the wall at the center of the wall.
- From bench top (see A), drawing a horizontal line (see B) above minimum installation height level.
- Mark a reference point at C, Repeat this step on the other side.
- Drill \varnothing 8mm holes at center of marking points. Insert wall plug in the wall.
- Fix the hood body to wall using 2 (ST5 x 25) screws, tighten the screw firmly.

Note: Adjust the hood body alignment if necessary.

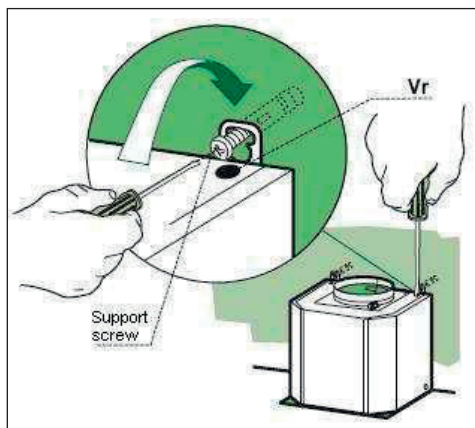
- Place mounting bracket on the wall at desired height level, aligning bracket center at vertical line (see D).

- Mark the center of the bracket holes and drill \varnothing 8mm holes. Insert wall plug in the wall. Secure mounting bracket firmly using 2 (ST5 x 25) screws.
- Fix the upper chimney cover to both mounting bracket using 2 (M3 x 12) screws.
- Slide the lower chimney cover downwards and ensure that it is well seated on the hood body.

3.2 Aligning the hood body

- Before attaching the hood body, adjust the two screws located on the hood body mounting points.
- Hook the hood body onto the support screws and tighten the support screws fully.
- Adjust screws to level the hood body.

3 Installing your appliance



3.3 Connection

3.3.1 Ducted mode air exhaust system

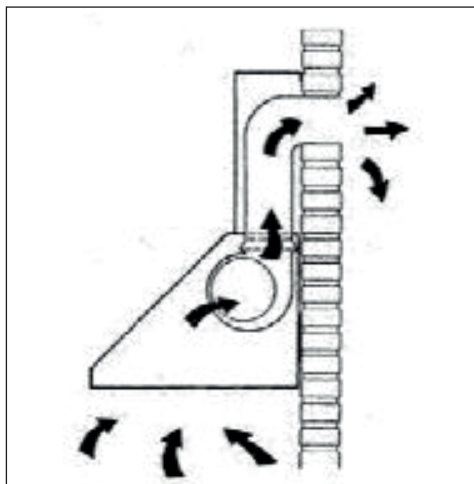
- When installing the ducted mode, connect the hood to the chimney using either a flexible or rigid pipe with $\varnothing 150\text{mm}$.
- Fix the pipe in position using sufficient pipe clamps (not supplied).

3.3.2 Ducted

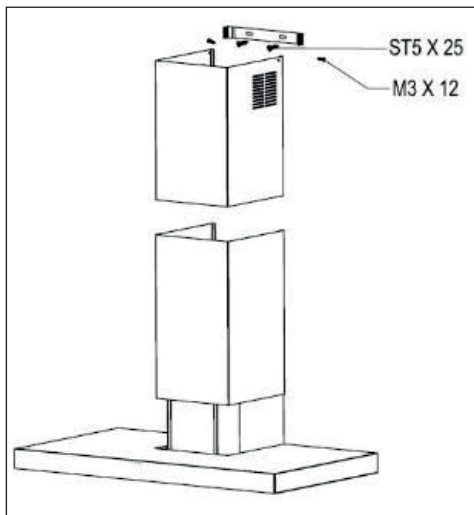
You can choose to install the hood as a ducted mode:

- Ducted mode (Vented mode)

In the ducted mode, air is drawn into the hood, fat are trapped by aluminum filters. Odors, fumes and condensation are then expelled to the outside. In this mode, only the aluminum filters are installed.



3.4 Chimney assembly



3.4.1 Upper chimney

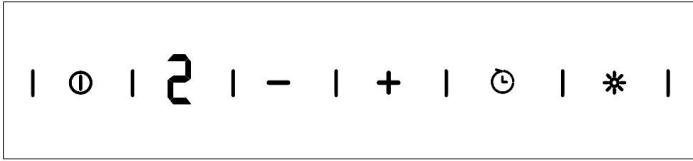
- Slightly widen the two sides of the upper chimney and hood them behind the mounting brackets, ensuring that they are well seated.
- Secure the sides of the brackets using 4 screws (M3 X 12).

3 Installing your appliance

3.4.2 Lower chimney

- Slightly widen the two sides of the chimney and hook them between the upper chimney and the wall, ensuring that they are well seated.
- Fix the lower parts laterally to the hood body using 2 screws (ST4 X 8).

4 Operating your appliance



The hood is equipped with electronic touch control that is located on the front edge of the range hood canopy.

OFF mode

Have symbol appears on the panel. The grey color symbol is on the left side of the panel.

ON mode

Use your finger touch at the symbol for 2 seconds, the control panel symbols will light up.

+ / – Symbols

Touch at the symbols the extractor motor will start to operate at desired speeds to 4 or 0 (stop).

1 Low speed

2 Medium speed

3 High speed

4 Extra high speed

0 Off

Light symbol

To switch ON the light, touch at the symbol, the light bulb is on and the symbol light will change to red light.

Delay timer

Touch the delay timer symbol once to activate the short period delay timer, the cooker hood will operate for 3 minutes and switch off.

After activated the short period delay timer function, the light of the symbol will turn to red and will be flashing.

Touch the delay timer symbol twice to activate the long period delay timer, the cooker hood will operate for 7 minutes and switch off.

After activated the long period delay timer function, the light of the symbol will turn to red and will light up continuously.

5 Cleaning and maintenance

5.1 Surfaces

Wash with warm soapy water and a soft sponge. Never use abrasive detergent, scouring pads, steel wool or solvents on any part of this appliance as this will cause irreparable damage. Dry the kitchen hood using a cloth that does not produce fluff.

5.2 Aluminium surfaces filters

Wash in the dishwasher, it is advisable to stack them vertically to avoid food residue sticking to them. Or soak it in a degreasing agent until grease dissolve and rinsing them under the tap, then rinse off.

5.3 Light replacement

Before attempting to replace the light, make sure that the light switch is turned off. Remove the damaged light and replace with a LED light maximum 3W.

6 Troubleshooting

Symptoms	Possible Cause	Action
Motor does not working	No electrical supply	Ensure the plug is connected properly. Reset circuit breaker.
	Aluminum filters clogged	Clean the filters and replace when dry
Poor airflow	Charcoal filters clogged	Replace charcoal the new filters charcoal with new filterssets
	Butterfly valve jammed	Contact technician
Motor running but no airflow	High temperature safety device activated.	The kitchen is not sufficiently ventilated.
	The hood is installed too near the cooking stove.	The hood must be at least 75 cm 65 cm from stove.
Motor cuts after a few minutes	Aluminum filter saturated.	Wash the aluminum filters.
Oil dripping onto stove	Foreign object in contact with fan blade.	Contact technician.
Whirring sound	Lamps are burnt out.	Change the lamps.
	Lamps are loose.	Tighten the lamps.

