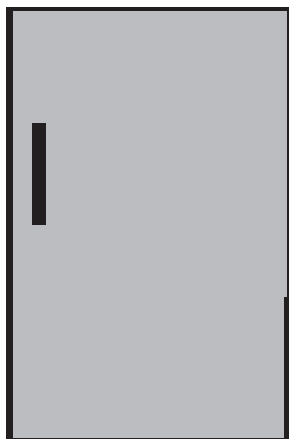


Refrigerator

User manual



Kühlschrank/Gefrierschrank
Bedienungsanleitung

Congélateur/Réfrigérateur
Manuel d'utilisation

Koelkast
Gebruiksaanwijzing

B 1751
B 1750 HCA
B 1750 HCA W

EN | DE | FR | NL |

beko

Please read this user manual first!

Dear Customer,

We hope that your product, which has been produced in modern plants and checked under the most meticulous quality control procedures, will provide you an effective service.

Therefore, read this entire user manual carefully before using the product and keep it as a reference. If you handover the product to someone else, give the user manual as well.

The user manual will help you use the product in a fast and safe way.


- Read the manual before installing and operating the product.
- Make sure you read the safety instructions.
- Keep the manual in an easily accessible place as you may need it later.
- Read the other documents given with the product.

Remember that this user manual is also applicable for several other models. Differences between models will be identified in the manual.

Explanation of symbols

Throughout this user manual the following symbols are used:

 Important information or useful tips.

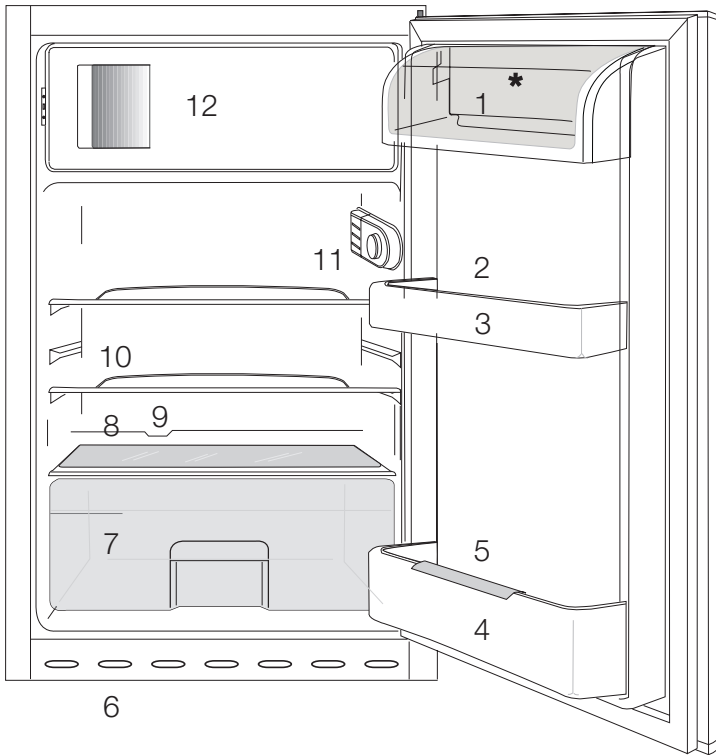
 Warning against dangerous conditions for life and property.

 Warning against electric voltage.

CONTENTS

1 Your refrigerator	3	4 Preparation	17
2 Important Safety Warnings	4	5 Using your refrigerator	18
Intended use	4	Thermostat setting button.....	18
General safety	5	Cooling.....	19
For products with a	9	Freezing.....	19
water dispenser;.....	9	Defrost	19
Child safety.....	9	Stopping your product.....	20
Compliance with WEEE Directive and Disposing of the Waste Product:	10	6 Maintenance and cleaning	21
Package information.....	10	Protection of plastic surfaces	21
HC warning	10		
Things to be done for energy saving	10		
3 Installation	12		
Points to be paid attention to when the relocation of the refrigerator	12		
Electrical connection.....	12		
Disposing of the packaging	13		
Disposing of your old refrigerator	13		
Placing and Installation	13		
Changing the illumination lamp	14		
Reversing the doors	15		

1 Your refrigerator



- | | |
|--|--|
| <ul style="list-style-type: none">1. Dairy compartment2. Egg tray (1 pcs.)3. Door shelves4. Bottle shelf5. Bottle gripper6. Air grill7. Crisper8. Crisper cover | <ul style="list-style-type: none">9. Defrost water collection channel - Drain tube10. Movable shelves11. Interior light & Thermostat knob12. a.) Freezing compartment & ice tray (for ***** models) b.) Frozen food compartment & ice tray (for ** models) |
|--|--|

*** May not be available in all models**

i Figures that take place in this instruction manual are schematic and may not correspond exactly with your product. If the subject parts are not included in the product you have purchased, then it is valid for other models.

2 Important Safety Warnings

Please review the following information. Failure to observe this information may cause injuries or material damage. Otherwise, all warranty and reliability commitments will become invalid.

Original spare parts will be provided for 10 years, following the product purchasing date.

Intended use

⚠	WARNING: Keep ventilation openings, in the appliance enclosure or in the built-in structure, clear of obstruction.
⚠	WARNING: Do not use mechanical devices or other means to accelerate the defrosting process, other than those recommended by the manufacturer.

⚠	WARNING: Do not damage the refrigerant circuit.
⚠	WARNING: Do not use electrical appliances inside the food storage compartments of the appliance, unless they are of the type recommended by the manufacturer.

This appliance is intended to be used in household and similar applications such as

- staff kitchen areas in shops, offices and other working environments;
- farm houses and by clients in hotels, motels and other residential type environments;
- bed and breakfast type environments;
- catering and similar non-retail applications.

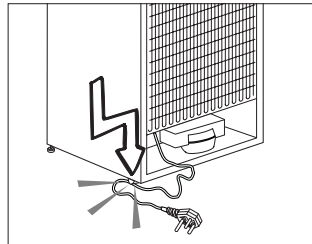
General safety

- When you want to dispose/scrap the product, we recommend you to consult the authorized service in order to learn the required information and authorized bodies.
- Consult your authorized service for all your questions and problems related to the refrigerator. Do not intervene or let someone intervene to the refrigerator without notifying the authorised services.
- For products with a freezer compartment; Do not eat cone ice cream and ice cubes immediately after you take them out of the freezer compartment! (This may cause frostbite in your mouth.)
- For products with a freezer compartment; Do not put bottled and canned liquid beverages in the freezer compartment. Otherwise, these may burst.
- Do not touch frozen food by hand; they may stick to your hand.
- Unplug your refrigerator before cleaning or defrosting.
- Vapor and vaporized cleaning materials should never be used in cleaning and defrosting processes of your refrigerator. In such cases, the vapor may get in contact with the electrical parts and cause short circuit or electric shock.
- Never use the parts on your refrigerator such as the door as a means of support or step.
- Do not use electrical devices inside the refrigerator.
- Do not damage the parts, where the refrigerant is circulating, with drilling or cutting tools. The refrigerant that might blow out when the gas channels of the evaporator, pipe extensions or surface coatings are punctured causes skin irritations and eye injuries.

- Do not cover or block the ventilation holes on your refrigerator with any material.
- Electrical devices must be repaired by only authorised persons. Repairs performed by incompetent persons create a risk for the user.
- In case of any failure or during a maintenance or repair work, disconnect your refrigerator's mains supply by either turning off the relevant fuse or unplugging your appliance.
- Do not pull by the cable when pulling off the plug.
- Ensure highly alcoholic beverages are stored securely with the lid fastened and placed upright.
- Never store spray cans containing flammable and explosive substances in the refrigerator.
- Do not use mechanical devices or other means to accelerate the defrosting process, other than those recommended by the manufacturer.
- This product is not intended to be used by persons with physical, sensory or mental disorders or unlearned or inexperienced people (including children) unless they are attended by a person who will be responsible for their safety or who will instruct them accordingly for use of the product
- Do not operate a damaged refrigerator. Consult with the service agent if you have any concerns.
- Electrical safety of your refrigerator shall be guaranteed only if the earth system in your house complies with standards.

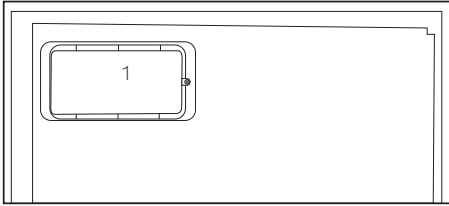
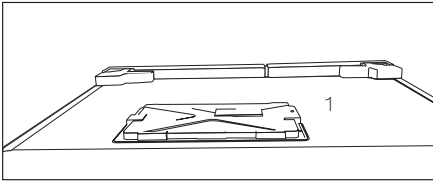
- Exposing the product to rain, snow, sun and wind is dangerous with respect to electrical safety.
- Contact authorized service when there is a power cable damage to avoid danger.
- Never plug the refrigerator into the wall outlet during installation. Otherwise, risk of death or serious injury may arise.
- This refrigerator is intended for only storing food items. It must not be used for any other purpose.
- Label of technical specifications is located on the left wall inside the refrigerator.
- Never connect your refrigerator to electricity-saving systems; they may damage the refrigerator.
- If there is a blue light on the refrigerator, do not look at the blue light with optical tools.

- For manually controlled refrigerators, wait for at least 5 minutes to start the refrigerator after power failure.
- This operation manual should be handed in to the new owner of the product when it is given to others.
- Avoid causing damage on power cable when transporting the refrigerator. Bending cable may cause fire. Never place heavy objects on power cable. Do not touch the plug with wet hands when plugging the product



- Do not plug the refrigerator if the wall outlet is loose.
- Water should not be sprayed on inner or outer parts of the product for safety purposes.

- Do not spray substances containing inflammable gases such as propane gas near the refrigerator to avoid fire and explosion risk.
 - Never place containers filled with water on top of the refrigerator; in the event of spillages, this may cause electric shock or fire.
 - Do not overload the refrigerator with food. If overloaded, the food items may fall down and hurt you and damage refrigerator when you open the door.
 - Never place objects on top of the refrigerator; otherwise, these objects may fall down when you open or close the refrigerator's door.
 - As they require a precise temperature, vaccines, heat-sensitive medicine and scientific materials and etc. should not be kept in the refrigerator.
 - If not to be used for a long time, refrigerator should be unplugged.
- A possible problem in power cable may cause fire.
- Refrigerator may move if adjustable legs are not properly secured on the floor. Properly securing adjustable legs on the floor can prevent the refrigerator to move.
 - When carrying the refrigerator, do not hold it from door handle. Otherwise, it may be snapped.
 - When you have to place your product next to another refrigerator or freezer, the distance between devices should be at least 8cm. Otherwise, adjacent side walls may be humidified.
 - The product shall never be used while the compartment which is located at the top or back of your product and in which electronic boards are available (electronic board box cover) (1) is open.



For products with a water dispenser;

- Pressure for cold water inlet shall be maximum 90 psi (6.2 bar). If your water pressure exceeds 80 psi (5.5 bar), use a pressure limiting valve in your mains system. If you do not know how to check your water pressure, ask for the help of a professional plumber.
- If there is risk of water hammer effect in your installation, always use a water hammer prevention equipment in your installation.

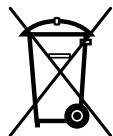
Consult Professional plumbers is you are not sure that there is no water hammer effect in your installation.

- Do not install on the hot water inlet. Take precautions against of the risk of freezing of the hoses. Water temperature operating interval shall be 33°F (0.6°C) minimum and 100°F (38°C) maximum.
- Use only potable water.

Child safety

- If the door has a lock, the key should be kept away from reach of children.
- Children must be supervised to prevent them from tampering with the product.

Compliance with WEEE Directive and Disposing of the Waste Product:



This product complies with EU WEEE Directive (2012/19/EU). This product bears a classification symbol for waste electrical and electronic equipment (WEEE).

This product has been manufactured with high quality parts and materials which can be reused and are suitable for recycling. Therefore, do not dispose the product with normal domestic waste at the end of its service life. Take it to a collection point for the recycling of electrical and electronic equipment. Please consult your local authorities to learn the nearest collection point. Help protect the environment and natural resources by recycling used products. For children's safety, cut the power cable and break the locking mechanism of the door, if any, so that it will be non-functional before disposing of the product.

Package information

Packaging materials of the product are manufactured from recyclable materials in accordance with our National Environment Regulations. Do not dispose of the packaging materials together with the domestic or other wastes. Take them to the packaging material collection points designated by the local authorities.

Do not forget...

Any recycled substance is an indispensable matter for nature and our national asset wealth.

If you want to contribute to the re-evaluation of the packaging materials, you can consult to your environmentalist organizations or the municipalities where you are located.

HC warning

If your product's cooling system contains R600a:

This gas is flammable. Therefore, pay attention to not damaging the cooling system and piping during usage and transportation. In the event of damage, keep your product away from potential fire sources that can cause the product catch a fire and ventilate the room in which the unit is placed.

Ignore this warning if your product's cooling system contains R134a.

Type of gas used in the product is stated in the type label which is on the left wall inside the refrigerator.

Never throw the product in fire for disposal.

Things to be done for energy saving

- Do not leave the doors of your refrigerator open for a long time.
- Do not put hot food or drinks in your refrigerator.
- Do not overload your refrigerator so that the air circulation inside of it is not prevented.
- Do not install your refrigerator under direct sunlight or near heat emitting appliances such as ovens, dishwashers or radiators. Keep your refrigerator at least 30cm away from heat emitting sources and at least 5cm from electrical ovens.

- Pay attention to keep your food in closed containers.
- For products with a freezer compartment; You can store maximum amount of food items in the freezer when you remove the shelf or drawer of the freezer. Energy consumption value stated for your refrigerator has been determined by removing freezer shelf or drawer and under maximum load. There is no harm to use a shelf or drawer according to the shapes and size of food to be frozen.
- Thawing frozen food in fridge compartment will both provide energy saving and preserve the food quality.

3 Installation

⚠ In case the information which are given in the user manual are not taken into account, manufacturer will not assume any liability for this.

Points to be paid attention to when the relocation of the refrigerator

1. Your refrigerator should be unplugged. Before transportation of your refrigerator, it should be emptied and cleaned.

2. Before it is re-packaged, shelves, accessories, crisper, etc. inside your refrigerator should be fixed with adhesive tape and secured against impacts. Package should be bound with a thick tape or sound ropes and the transportation rules on the package should be strictly observed.

3. Original packaging and foam materials should be kept for future transportations or moving.

Before you start the refrigerator,

Check the following before you start to use your refrigerator:

1. Attach 2 plastic wedges as illustrated below. Plastic wedges are intended to keep the distance which will ensure the air circulation between your refrigerator and the wall. (The picture is drawn up as a representation and it is not identical with your product.)

2. Clean the interior of the refrigerator as recommended in the "Maintenance and cleaning" section.

3. Connect the plug of the refrigerator to the wall socket. When the fridge door is opened, fridge internal lamp will turn on.

4. When the compressor starts to operate, a sound will be heard. The liquid and gases sealed within the refrigeration system may also give rise to noise, even if the compressor is not running and this is quite normal.

5. Front edges of the refrigerator may feel warm. This is normal. These areas are designed to be warm to avoid condensation.

Electrical connection

Connect your product to a grounded socket which is being protected by a fuse with the appropriate capacity.

Important:

The connection must be in compliance with national regulations.

- The power plug must be easily accessible after installation.
- Electrical safety of your refrigerator shall be guaranteed only if the earth system in your house complies with standards.
- The voltage stated on the label located at left inner side of your product should be equal to your network voltage.
- Extension cables and multi plugs must not be used for connection.

⚠ A damaged power cable must be replaced by a qualified electrician.

⚠ Product must not be operated before it is repaired! There is the risk of electric shock!

Disposing of the packaging

The packing materials may be dangerous for children. Keep the packing materials out of the reach of children or dispose of them by classifying them in accordance with the waste instructions stated by your local authorities. Do not throw away with regular house waste, throw away on packaging pick up spots designated by the local authorities.

The packing of your refrigerator is produced from recyclable materials.

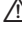
Disposing of your old refrigerator

Dispose of your old refrigerator without giving any harm to the environment.

- You may consult your authorized dealer or waste collection center of your municipality about the disposal of your refrigerator.

Before disposing of your refrigerator, cut out the electric plug and, if there are any locks on the door, make them inoperable in order to protect children against any danger.

Placing and Installation

 If the entrance door of the room where the refrigerator will be installed is not wide enough for the refrigerator to pass through, then call the authorized service to have them remove the doors of your refrigerator and pass it sideways through the door.

1. Install your refrigerator to a place that allows ease of use.
2. Keep your refrigerator away from heat sources, humid places and direct sunlight.
3. There must be appropriate air ventilation around your refrigerator in order to achieve an efficient operation. If the refrigerator is to be placed in a recess in the wall, there must be at least 5 cm distance with the ceiling and at least 5 cm with the wall. Do not place your product on the materials such as rug or carpet.
4. Place your refrigerator on an even floor surface to prevent jolts.

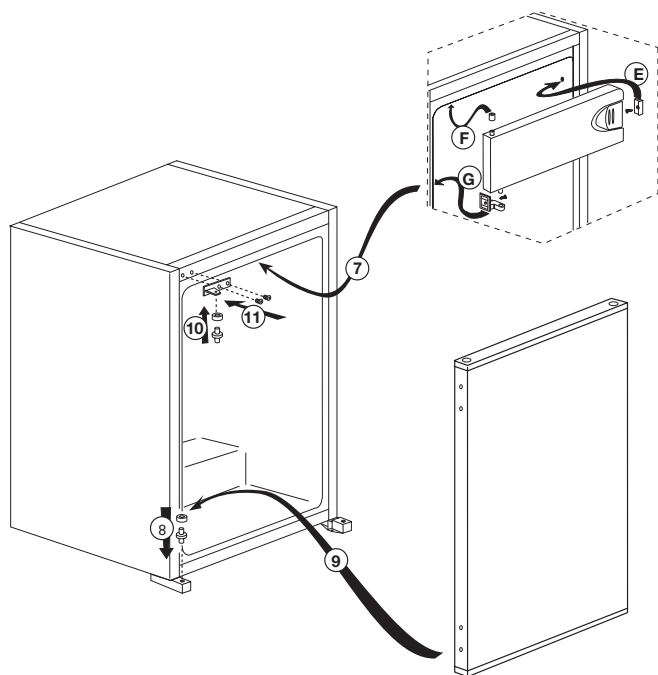
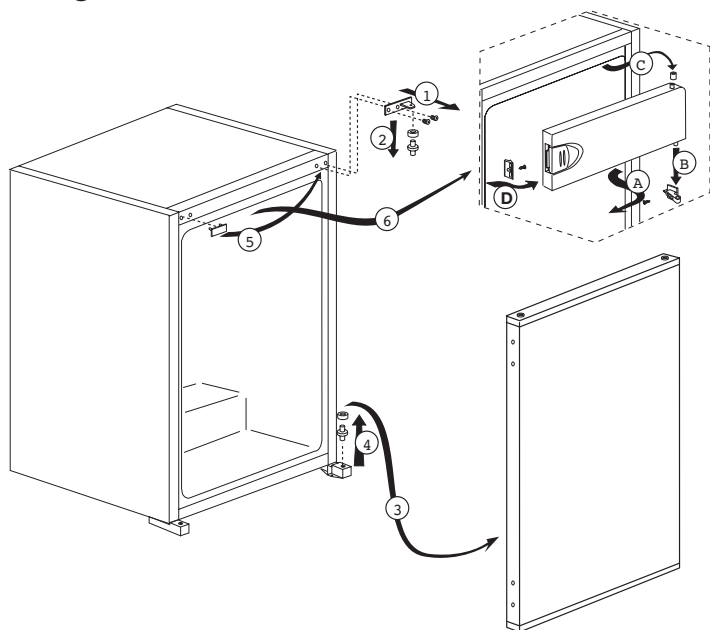
Changing the illumination lamp

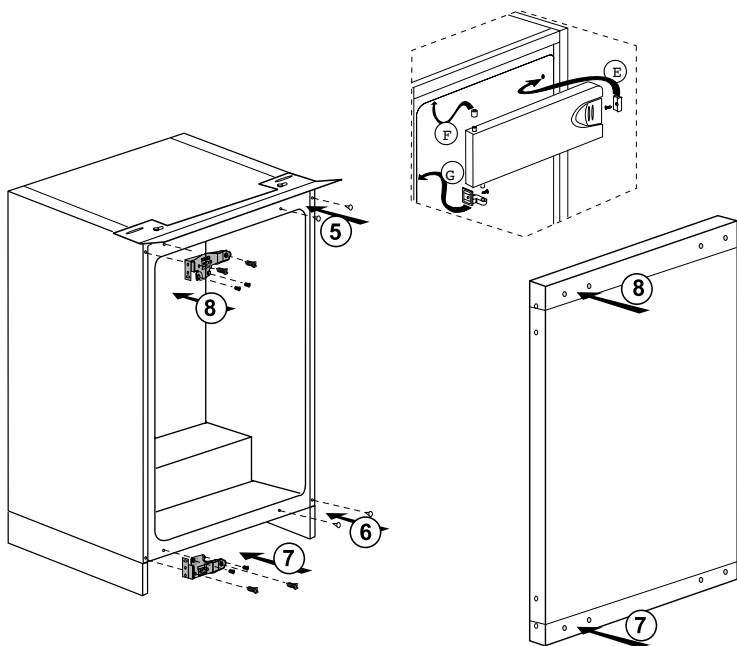
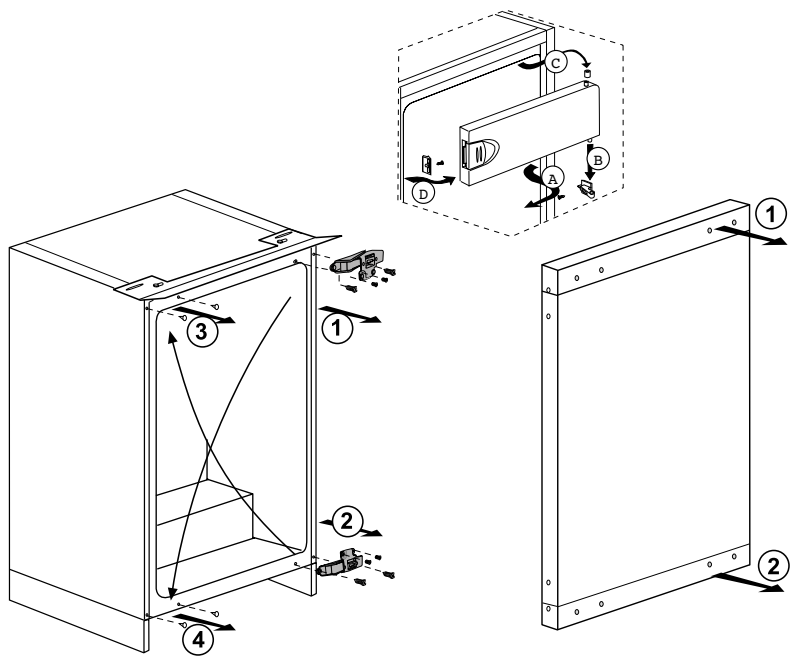
To change the Bulb/LED used for illumination of your refrigerator, call your AuthorisedService.

The lamp(s) used in this appliance is not suitable for household room illumination. The intended purpose of this lamp is to assist the user to place foodstuffs in the refrigerator/freezer in a safe and comfortable way. The lamps used in this appliance have to withstand extreme physical conditions such as temperatures below -20 °C.

(only chest and upright freezer)

Reversing the doors



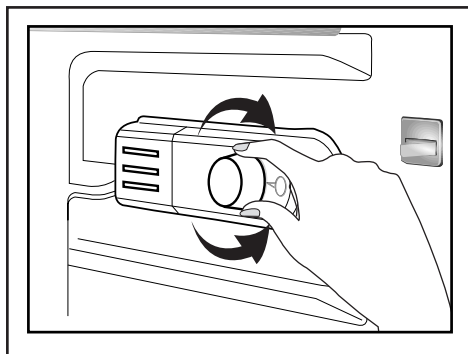


4 Preparation

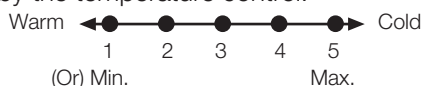
- Your refrigerator should be installed at least 30 cm away from heat sources such as hobs, ovens, central heater and stoves and at least 5 cm away from electrical ovens and should not be located under direct sunlight.
- The ambient temperature of the room where you install your refrigerator should at least be 10°C. Operating your refrigerator under cooler conditions is not recommended with regard to its efficiency.
- Please make sure that the interior of your refrigerator is cleaned thoroughly.
- If two refrigerators are to be installed side by side, there should be at least 2 cm distance between them.
- When you operate your refrigerator for the first time, please observe the following instructions during the initial six hours.
- The door should not be opened frequently.
- It must be operated empty without any food in it.
- Do not unplug your refrigerator. If a power failure occurs out of your control, please see the warnings in the “Recommended solutions for the problems” section.
- Original packaging and foam materials should be kept for future transportations or moving.
- The baskets/drawers that are provided with the chill compartment must always be in use for low energy consumption and for better storage conditions.
- Food contact with the temperature sensor in the freezer compartment may increase energy consumption of the appliance. Thus any contact with the sensor(s) must be avoided.
- In some models, the instrument panel automatically turns off 5 minutes after the door has closed. It will be reactivated when the door has opened or pressed on any key.
- Due to temperature change as a result of opening/closing the product door during operation, condensation on the door/body shelves and the glass containers is normal

5 Using your refrigerator

Thermostat setting button



The operating temperature is regulated by the temperature control.



**1 = Lowest cooling setting
(Warmest setting)**

**5 = Highest cooling setting
(Coldest setting)**

(Or)

**Min. = Lowest cooling setting
(Warmest setting)**

**Max. = Highest cooling setting
(Coldest setting)**

The average temperature inside the fridge should be around +5°C.

Please choose the setting according to the desired temperature.

Please note that there will be different temperatures in the cooling area.

The coldest region is immediately above the vegetable compartment.

The interior temperature also depends on ambient temperature, the frequency with which the door is opened and the amount of foods kept inside.

Frequently opening the door causes the interior temperature to rise.

For this reason, it is recommended to close the door again as soon as possible after use.

The interior temperature of your refrigerator changes for the following reasons;

- Seasonal temperatures,
- Frequent opening of the door and leaving the door open for long periods,
- Food put into the refrigerator without cooling down to the room temperature,
- The location of the refrigerator in the room (e.g. exposing to sunlight).
- You may adjust the varying interior temperature due to such reasons by using the thermostat. Numbers around the thermostat button indicates the cooling degrees.
- If the ambient temperature is higher than 32°C, turn the thermostat button to maximum position.
- If the ambient temperature is lower than 25°C, turn the thermostat button to minimum position.


Cooling

Food storage

The fridge compartment is for the short-term storage of fresh food and drinks.

Freezing


Freezing food

The freezing compartment is marked with  this symbol.

You can use the appliance for freezing fresh food as well as for storing pre-frozen food.

Please refer to the recommendations given on the packaging of your food.

Storing frozen food

The frozen food compartment is marked with  symbol.

The frozen food compartment is suitable for the storage of pre-frozen food. The recommendation for storage, as stated on the food packaging, should be observed at all times.

Defrost

A) Fridge compartment

Fridge compartment performs full-automatic defrosting. Water drops and a frosting up to 7-8 mm can occur on the inner rear wall of the fridge compartment while your refrigerator cools down. Such formation is normal as a result of the cooling system. The frost formation is defrosted by performing automatic defrosting with certain intervals thanks to the automatic defrosting system of the rear wall. User is not required to scrape the frost or remove the water drops.

Water resulting from the defrosting passes from the water collection groove and flows into the evaporator through the drain pipe and evaporates here by itself.

Check regularly to see if the drain pipe is clogged or not and clear it with the stick in the hole when necessary.

Deep freezer compartment does not perform automatic defrosting in order to prevent decaying of the frozen food.

B) Freezer compartment

Defrosting is very straightforward and without mess, thanks to a special defrost collection basin.

Defrost twice a year or when a frost layer of around 7 (1/4") mm has formed.

To start the defrosting procedure, switch off the appliance at the socket outlet and pull out the mains plug.

All food should be wrapped in several layers of newspaper and stored in a cool place (e.g. fridge or larder).

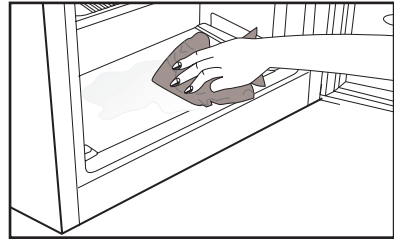
Containers of warm water may be placed carefully in the freezer to speed up the defrosting.

Do not use pointed or sharp-edged objects, such as knives or forks to remove the frost.

Never use hair dryers, electrical heaters or other such electrical appliances for defrosting.

Sponge out the defrost water collected in the bottom of the freezer compartment. After defrosting, dry the interior thoroughly.

Insert the plug into the wall socket and switch on the electricity supply.



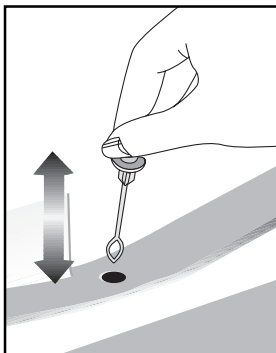
Stopping your product

If your thermostat is equipped with "0" position:

- Your product will stop operating when you turn the thermostat button to "0" (zero) position. Your product will not start unless to you turn the thermostat button to position "1" or one of the other positions again.

If your thermostat is equipped with "min" position:

- Unplug your product to stop it.



6 Maintenance and cleaning

- ⚠ Never use gasoline, benzene or similar substances for cleaning purposes.
- ⚠ We recommend that you unplug the appliance before cleaning.
- ⚠ Never use any sharp abrasive instrument, soap, household cleaner, detergent and wax polish for cleaning.
- ⚠ For non-No Frost products, water drops and frosting up to a fingerbreadth occur on the rear wall of the Fridge compartment. Do not clean it; never apply oil or similar agents on it.
- ⚠ Only use slightly damp microfiber cloths to clean the outer surface of the product. Sponges and other types of cleaning cloths may scratch the surface.
- ℹ Use lukewarm water to clean the cabinet of your refrigerator and wipe it dry.
- ℹ Use a damp cloth wrung out in a solution of one teaspoon of bicarbonate of soda to one pint of water to clean the interior and wipe it dry.
- ⚠ Make sure that no water enters the lamp housing and other electrical items.
- ⚠ If your refrigerator is not going to be used for a long period of time, unplug the power cable, remove all food, clean it and leave the door ajar.
- ℹ Check door seals regularly to ensure they are clean and free from food particles.
- ⚠ To remove door racks, remove all the contents and then simply push the door rack upwards from the base.
- ⚠ Never use cleaning agents or water that contain chlorine to clean the outer surfaces and chromium coated parts of the product. Chlorine causes corrosion on such metal surfaces.
- ⚠ Do not use sharp, abrasive tools, soap, household cleaning agents, detergents, kerosene, fuel oil, varnish etc. to prevent removal and deformation of the prints on the plastic part. Use lukewarm water and a soft cloth for cleaning and then wipe it dry.

Protection of plastic surfaces

- ℹ Do not put the liquid oils or oil-cooked meals in your refrigerator in unsealed containers as they damage the plastic surfaces of your refrigerator. In case of spilling or smearing oil on the plastic surfaces, clean and rinse the relevant part of the surface at once with warm water.

7 Troubleshooting

Please review this list before calling the service. It will save your time and money. This list includes frequent complaints that are not arising from defective workmanship or material usage. Some of the features described here may not exist in your product.

The refrigerator does not operate.

- The plug is not inserted into the socket correctly. >>>Insert the plug into the socket securely.
- The fuse of the socket which your refrigerator is connected to or the main fuse have blown out. >>>Check the fuse.

Condensation on the side wall of the fridge compartment (MULTIZONE, COOL CONTROL and FLEXI ZONE).

- Door has been opened frequently. >>>Do not open and close the door of refrigerator frequently.
- Ambient is very humid. >>>Do not install your refrigerator into highly humid places.
- Food containing liquid is stored in open containers. >>>Do not store food with liquid content in open containers.
- Door of the refrigerator is left ajar. >>>Close the door of the refrigerator.
- Thermostat is set to a very cold level. >>>Set the thermostat to a suitable level.

Compressor is not running

- Protective thermic of the compressor will blow out during sudden power failures or plug-out plug-ins as the refrigerant pressure in the cooling system of the refrigerator has not been balanced yet. The refrigerator will start running approximately after 6 minutes. Please call the service if the refrigerator does not startup at the end of this period.
- The fridge is in defrost cycle. >>>This is normal for a full-automatically defrosting refrigerator. Defrosting cycle occurs periodically.
- The refrigerator is not plugged into the socket. >>>Make sure that the plug is fit into the socket.
- Temperature settings are not made correctly. >>>Select the suitable temperature value.
- There is a power outage. >>>Refrigerator returns to normal operation when the power restores.

The operation noise increases when the refrigerator is running.

- The operating performance of the refrigerator may change due to the changes in the ambient temperature. It is normal and not a fault.

The refrigerator is running frequently or for a long time.

- New product may be wider than the previous one. Larger refrigerators operate for a longer period of time.
- The room temperature may be high. >>>It is normal that the product operates for longer periods in hot ambient.
- The refrigerator might be plugged in recently or might be loaded with food. >>>When the refrigerator is plugged in or loaded with food recently, it will take longer for it to attain the set temperature. This is normal.
- Large amounts of hot food might be put in the refrigerator recently. >>>Do not put hot food into the refrigerator.
- Doors might be opened frequently or left ajar for a long time. >>>The warm air that has entered into the refrigerator causes the refrigerator to run for longer periods. Do not open the doors frequently.
- Freezer or fridge compartment door might be left ajar. >>>Check if the doors are closed completely.
- The refrigerator is adjusted to a very low temperature. >>>Adjust the refrigerator temperature to a warmer degree and wait until the temperature is achieved.
- Door seal of the fridge or freezer may be soiled, worn out, broken or not properly seated. >>>Clean or replace the seal. Damaged/broken seal causes the refrigerator to run for a longer period of time in order to maintain the current temperature.

Freezer temperature is very low while the fridge temperature is sufficient.

- The freezer temperature is adjusted to a very low value. >>>Adjust the freezer temperature to a warmer degree and check.

Fridge temperature is very low while the freezer temperature is sufficient.

- The fridge temperature is adjusted to a very low value. >>>Adjust the fridge temperature to a warmer degree and check.

Food kept in the fridge compartment drawers is frozen.

- The fridge temperature is adjusted to a very high value. >>>Adjust the fridge temperature to a lower value and check.

Temperature in the fridge or freezer is very high.

- The fridge temperature is adjusted to a very high value. >>> Fridge compartment temperature setting has an effect on the temperature of the freezer. Change the temperatures of the fridge or freezer and wait until the relevant compartments attain a sufficient temperature.
- Doors are opened frequently or left ajar for a long time. >>> Do not open the doors frequently.
- Door is ajar. >>> Close the door completely.
- The refrigerator is plugged in or loaded with food recently. >>> This is normal. When the refrigerator is plugged in or loaded with food recently, it will take longer for it to attain the set temperature.
- Large amounts of hot food might be put in the refrigerator recently. >>> Do not put hot food into the refrigerator.

Vibrations or noise.

- The floor is not level or stable. >>> If the refrigerator rocks when moved slowly, balance it by adjusting its feet. Also make sure that the floor is strong enough to carry the refrigerator, and level.
- The items put onto the refrigerator may cause noise. >>> Remove the items on top of the refrigerator.

There are noises coming from the refrigerator like liquid flowing, spraying, etc.

- Liquid and gas flows occur in accordance with the operating principles of your refrigerator. It is normal and not a fault.

Whistle comes from the refrigerator.

- Fans are used in order to cool the refrigerator. It is normal and not a fault.

Condensation on the inner walls of refrigerator.

- Hot and humid weather increases icing and condensation. It is normal and not a fault.
- Doors are opened frequently or left ajar for a long time. >>> Do not open the doors frequently. Close them if they are open.
- Door is ajar. >>> Close the door completely.

Humidity occurs on the outside of the refrigerator or between the doors.

- There might be humidity in the air; this is quite normal in humid weather. When the humidity is less, condensation will disappear.

Bad odour inside the refrigerator.

- No regular cleaning is performed.
>>> Clean the inside of the refrigerator regularly with a sponge, lukewarm water or carbonate dissolved in water.
- Some containers or package materials may cause the smell.
>>> Use a different container or different brand packaging material.
- Food is put into the refrigerator in uncovered containers. >>> Keep the food in closed containers. Microorganisms spreading out from uncovered containers can cause unpleasant odours.
- Remove the foods that have expired best before dates and spoiled from the refrigerator.

The door is not closing.

- Food packages are preventing the door from closing.
>>> Replace the packages that are obstructing the door.
- The refrigerator is not completely even on the floor. >>> Adjust the feet to balance the refrigerator.
- The floor is not level or strong.
>>> Make sure that the floor is level and capable to carry the refrigerator.

Crispers are stuck.

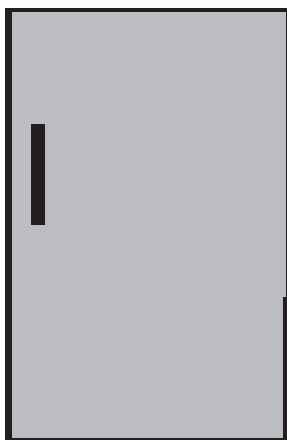
- The food is touching the ceiling of the drawer. >>> Rearrange food in the drawer.

If The Surface Of The Product Is Hot.

- High temperatures may be observed between the two doors, on the side panels and at the rear grill while the product is operating. This is normal and does not require service maintenance!

Kühlschrank/Gefrierschrank

Bedienungsanleitung



DE |

beko

Bitte lesen Sie zuerst diese Anleitung!

Lieber Kunde,

Wir sind sicher, dass Ihnen dieses Produkt, das in modernsten Fertigungsstätten hergestellt und den strengsten Qualitätsprüfungen unterzogen wurde, lange Zeit gute Dienste leisten wird.




Wir empfehlen Ihnen, vor Inbetriebnahme des Gerätes das gesamte Handbuch durchzulesen und es anschließend aufzubewahren.

Diese Anleitung...

- hilft Ihnen, Ihr Gerät schnell und sicher zu bedienen.
- Lesen Sie die Anleitung, bevor Sie Ihr Gerät aufstellen und bedienen.
- Halten Sie sich an die Anweisungen, beachten Sie insbesondere die Sicherheitshinweise.
- Bewahren Sie die Anleitung an einem leicht zugänglichen Ort auf, damit Sie jederzeit darin nachschlagen können.
- Lesen Sie auch die weiteren Dokumente, die mit Ihrem Produkt geliefert wurden. Bitte beachten Sie, dass diese Anleitung eventuell auch für andere Geräte eingesetzt werden kann.

Symbole und ihre Bedeutung

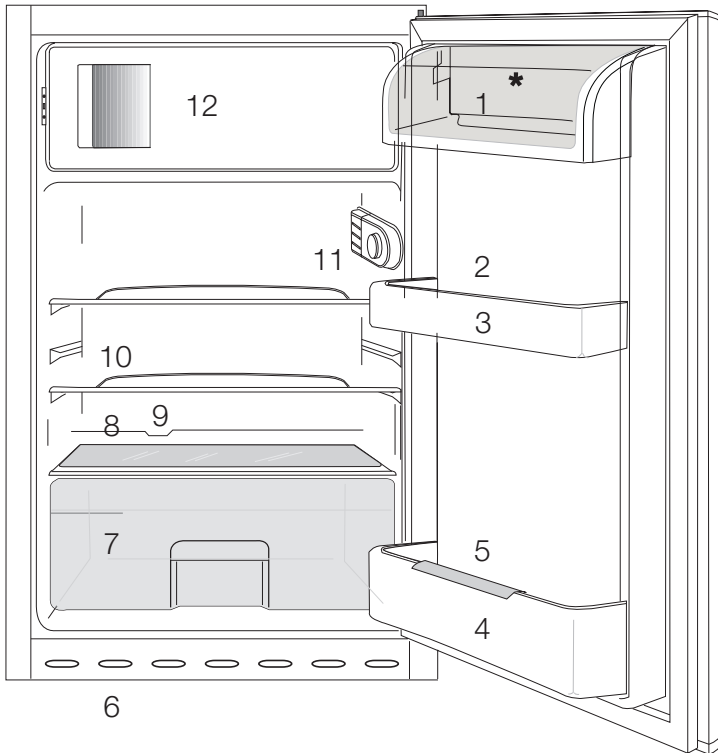
In dieser Anleitung finden Sie die folgenden Symbole:

-  Wichtige Informationen oder nützliche Tipps.
-  Warnung vor Verletzungen oder Sachschäden.
-  Warnung vor elektrischem Strom.

INHALT

1 Ihr Kühlschrank	4	4 Vorbereitung	17
2 Wichtige Sicherheitshinweise	5	5 Nutzung des Kühlschranks	18
Bestimmungsgemäßer Einsatz.....	5	Thermostateinstelltaste.....	18
Allgemeine Hinweise zu Ihrer Sicherheit	5	Kühlen.....	18
Bei Geräten mit Wasserspender:	9	Gefrieren.....	19
Kinder – Sicherheit	10	Abtauen.....	19
Erfüllung von WEEE-Vorgaben zur Entsorgung von Altgeräten:	10	Gerät stoppen	20
Hinweise zur Verpackung	10	6 Wartung und Reinigung	21
HC-Warnung	10	Schutz der Kunststoffflächen	21
Tipps zum Energiesparen	11	7 Problemlösung	22
3 Installation	12		
Wenn Sie den Kühlschrank versetzen möchten:	12		
Vor dem Einschalten.....	12		
Elektrischer Anschluss	12		
Verpackungsmaterialien entsorgen ..	13		
Altgeräte entsorgen	13		
Aufstellung und Installation	13		
Beleuchtung auswechseln	14		
Türanschlag umkehren.....	15		

1 Ihr Kühlschrank



- | | |
|------------------------------|--|
| 1. Bereich für Milchprodukte | 9. Tauwassersammelkanal - Abflusskanal |
| 2. Eierbehälter (1 pcs.) | 10. Bewegliche Ablagen |
| 3. Türablagen | 11. Innenbeleuchtung und Thermostatknopf |
| 4. Flaschenablage | 12. a) Tiefkühlfach und Eisschale (|
| 5. Flaschenhalter | * * * * Modelle) Gefrierfach und |
| 6. Lüftungsgitter | Eisschale (* *) Modelle) |
| 7. Gemüsefach | |
| 8. Gemüsefachabdeckung | |

***Möglicherweise nicht für alle Modelle verfügbar**

i Abbildungen und Angaben in dieser Anleitung sind schematisch und können etwas von Ihrem Produkt abweichen. Falls Teile nicht zum Lieferumfang des erworbenen Gerätes zählen, gelten sie für andere Modelle.

2 Wichtige Sicherheitshinweise

Bitte lesen Sie die folgenden Hinweise aufmerksam durch. Bei Nichtbeachtung dieser Angaben kann es zu Verletzungen und Sachschäden kommen. In diesem Fall erlöschen auch sämtliche Garantie- und sonstigen Ansprüche.

Originalersatzteile stehen für einen Zeitraum von 10 Jahre beginnend mit dem Kaufdatum zur Verfügung.

Bestimmungsgemäßer Einsatz

⚠	ACHTUNG: Stellen Sie sicher, dass wenn das Gerät in seinem Gehäuse oder platziert ist, die Entlüftungsöffnungen nicht blockiert werden.
⚠	ACHTUNG: Um den Auftauvorgang zu beschleunigen, keine anderen mechanischen Geräte oder Geräte verwenden, die nicht vom Hersteller empfohlen sind.
⚠	ACHTUNG: Dem Kühlmittelkreislauf keine Schäden zufügen.
⚠	ACHTUNG: In den lebensmittelaufbewahrungsfächern keine elektrischen Geräte verwenden, die nicht vom Hersteller empfohlen sind.

WARNING:

⚠ Lagern Sie keinerlei explosiven Substanzen (dazu zählen auch Sprühdosen mit brennbarem Treibmittel) im Gerät.

Dieses Gerät ist für die private Nutzung oder für den Gebrauch bei folgenden ähnlichen Anwendungen konzipiert wurden

- In Personalküchen in Geschäften, Büros und anderen Arbeitsumgebungen;
- In Bauernhöfen, Hotels, Motels und anderen Unterkünften, für den Gebrauch der Kunden;
- Umgebungen mit Übernachtung und Frühstück;
- Bei Catering und ähnlichen Non-Retail-Anwendungen.

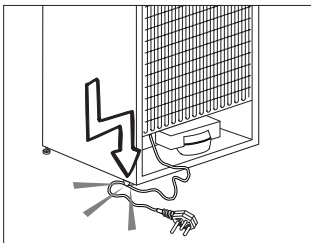
Allgemeine Hinweise zu Ihrer Sicherheit

- Wenn Sie das Gerät entsorgen möchten, wenden Sie sich am besten an den autorisierten Kundendienst. Hier erhalten Sie notwendige Informationen und erfahren, welche Stellen für die Entsorgung zuständig sind.
- Bei Problemen und Fragen zum Gerät wenden Sie sich grundsätzlich an den autorisierten Kundendienst. Ziehen Sie keine Dritten zu

- Rate, versuchen Sie nichts in Eigenregie, ohne den autorisierten Kundendienst davon in Kenntnis zu setzen.
- Bei Geräten mit Tiefkühlbereich: Der Verzehr von Speiseeis und Eiswürfeln unmittelbar nach der Entnahme aus dem Tiefkühlbereich ist nicht ratsam. (Dies kann zu Erfrierungen führen.)
 - Bei Geräten mit Tiefkühlbereich: Bewahren Sie Getränke in Flaschen sowie Dosen niemals im Tiefkühlbereich auf. Diese platzen.
 - Berühren Sie gefrorene Lebensmittel nicht mit der Hand; sie können festfrieren.
 - Trennen Sie Ihren Kühlschrank vor dem Reinigen oder Abtauen vom Stromnetz.
 - Verwenden Sie niemals Dampf- oder Sprühreiniger zum Reinigen und Abtauen Ihres Kühlschranks. Die Dämpfe oder Nebel können in Kontakt mit stromführenden Teilen geraten und Kurzschlüsse oder Stromschläge auslösen.
 - Missbrauchen Sie niemals Teile Ihres Kühlschranks (z. B. Tür) als Befestigungen oder Kletterhilfen.
 - Nutzen Sie keine elektrischen Geräte innerhalb des Kühlschranks.
 - Achten Sie darauf, den Kühlkreislauf keinesfalls mit Bohr- oder Schneidwerkzeugen zu beschädigen. Das Kühlmittel kann herausspritzen, wenn die Gaskanäle des Verdunsters, Rohr- und Schlauchleitungen oder Oberflächenversiegelungen beschädigt werden. Dies kann zu Hautreizungen und Augenverletzungen führen.
 - Decken Sie keinerlei Belüftungsöffnungen des Kühlschranks ab.
 - Elektrische Geräte dürfen nur von autorisierten Fachkräften repariert werden. Reparaturen durch weniger kompetente Personen können erhebliche Gefährdungen des Anwenders verursachen.
 - Sollten Fehler oder Probleme während der Wartung oder Reparaturarbeiten auftreten, so trennen Sie den Kühlschrank von der Stromversorgung, indem Sie die entsprechende Sicherung abschalten oder den Netzstecker ziehen.
 - Ziehen Sie niemals am Netzkabel – ziehen Sie direkt am Stecker.

- Achten Sie darauf, hochprozentige Getränke stehend und mit fest verschlossenem Deckel zu lagern.
- Bewahren Sie niemals Sprühdosen mit brennbaren und explosiven Substanzen im Kühlschrank auf.
- Nutzen Sie keine mechanischen oder anderen Hilfsmittel, um das Gerät abzutauen – es sei denn, solche Hilfsmittel werden ausdrücklich vom Hersteller empfohlen.
- Dieses Produkt darf nicht von Personen (einschließlich Kindern) mit eingeschränkten physischen, sensorischen oder geistigen Fähigkeiten bedient werden, sofern sie nicht durch eine Person, die für ihre Sicherheit verantwortlich ist, in der Bedienung des Produktes angeleitet werden.
- Nehmen Sie einen beschädigten Kühlschrank nicht in Betrieb. Wenden Sie sich bei jeglichen Zweifeln an einen Kundendienstmitarbeiter.
- Die elektrische Sicherheit des Gerätes ist nur dann gewährleistet, wenn das hausinterne Erdungssystem den zutreffenden Normen entspricht.
- Setzen Sie das Gerät keinem Regen, Schnee, direktem Sonnenlicht oder Wind aus; dies kann die elektrische Sicherheit gefährden.
- Wenden Sie sich zur Vermeidung von Gefahren an den autorisierten Kundendienst, falls das Netzkabel beschädigt ist.
- Stecken Sie während der Installation niemals den Netzstecker ein. Andernfalls kann es zu schweren bis tödlichen Verletzungen kommen.
- Dieser Kühlschrank dient nur der Aufbewahrung von Lebensmitteln. Für andere Zwecke sollte er nicht verwendet werden.
- Das Etikett mit den technischen Daten befindet sich an der linken Innenwand des Kühlschranks.
- Schließen Sie Ihren Kühlschrank niemals an energiesparende Systeme an; dies kann den Kühlschrank beschädigen.
- Falls sich ein blaues Licht am Kühlschrank befindet, blicken Sie nicht längere Zeit mit bloßem Auge oder optischen Werkzeugen hinein.

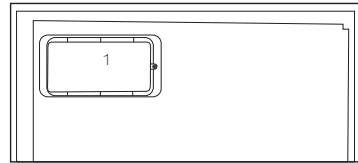
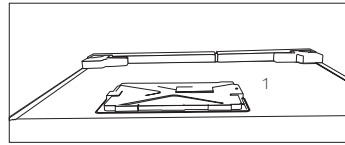
- Bei manuell gesteuerten Kühlschränken warten Sie mindestens 5 Minuten, bevor Sie den Kühlschrank nach einem Stromausfall wieder einschalten.
- Falls Sie das Gerät an einen anderen Besitzer weitergeben, vergessen Sie nicht, die Bedienungsanleitung ebenfalls auszuhändigen.
- Achten Sie darauf, dass das Netzkabel beim Transport des Kühlschranks nicht beschädigt wird. Übermäßiges Biegen des Kabels birgt Brandgefahr. Platzieren Sie keine schweren Gegenstände auf dem Netzkabel.
- Berühren Sie den Netzstecker niemals mit feuchten oder gar nassen Händen.



- Schließen Sie den Kühlschrank nicht an lose Steckdosen an.
- Sprühen Sie aus Sicherheitsgründen niemals Wasser auf die Innen- und Außenflächen des Gerätes.

- Sprühen Sie keine Substanzen mit brennbaren Gasen, wie z. B. Propangas, in die Nähe des Kühlschranks; andernfalls bestehen Brand- und Explosionsgefahr.
- Stellen Sie keine mit Wasser gefüllten Gegenstände auf den Kühlschrank; dies birgt Brand- und Stromschlaggefahr.
- Überladen Sie das Gerät nicht mit Lebensmitteln. Wenn das Gerät überladen ist, können beim Öffnen der Kühlschranktür Lebensmittel herausfallen und Verletzungen verursachen.
- Stellen Sie keinesfalls Gegenstände auf den Kühlschrank; sie könnten beim Öffnen oder Schließen der Kühlschranktür herunterfallen.
- Materialien wie beispielsweise Impfstoffe, wärmeempfindliche Arznei, wissenschaftliche Proben usw. sollten nicht im Kühlschrank aufbewahrt werden, da sie bei exakt festgelegten Temperaturen gelagert werden müssen.
- Trennen Sie den Kühlschrank vom Stromnetz, wenn er längere Zeit nicht benutzt wird. Ein mögliches Problem im Netzkabel kann einen Brand auslösen.

- Wenn die höhenverstellbaren FüÙe nicht sicher auf dem Boden stehen, kann sich der Kùhlschrank bewegen. Die angemessene Sicherung der höhenverstellbaren FüÙe am Boden kann eine Bewegung des Kùhlschranks verhindern.
- Halten Sie den Kùhlschrank beim Tragen nicht am Tùrgriff. Andernfalls könnte er abbrechen.
- Wenn Sie Ihr Produkt neben einem anderen Kühl- oder Gefrierschrank aufstellen möchten, sollte der Abstand zwischen beiden Geräten mindestens 8 cm betragen. Andernfalls können die benachbarten Seitenwände feucht werden.
- Benutzen Sie das Gerät niemals, wenn die sich auf der Oberseite bzw. auf der Rückseite befindlichen Bereiche mit den elektronischen Leitern im Inneren geöffnet sind (Abdeckung der elektronischen Leiterplatten) (1).



Bei Geräten mit Wasserspender:

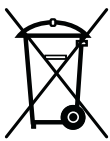
- Der Druck für die Kaltwasserzufuhr sollte maximal 90 psi (6,2 bar) betragen. Wenn der Wasserdruck in Ihrem Haushalt 80 psi (5,5 bar) übersteigt, verwenden Sie bitte ein Druckbegrenzungsventil in Ihrem Leitungssystem. Sollten Sie nicht wissen, wie der Wasserdruck gemessen wird, ziehen Sie bitte einen Fachinstallateur hinzu.
- Sollte für Ihr Leitungssystem das Risiko eines Wasserschlags (Druckstoß) bestehen, verwenden Sie stets eine geeignete Druckstoßsicherung. Wenden Sie sich bitte an einen Fachinstallateur, falls Sie sich über die Wasserschlaggefährdung in Ihrem Leitungssystem nicht sicher sein sollten.

- Nutzen Sie niemals die Warmwasserzufuhr für den Einbau. Treffen Sie geeignete Vorsichtsmaßnahmen zum Schutz der Leitungen gegen mögliches Einfrieren. Die für den Betrieb zulässige Wassertemperatur liegt im Bereich von mindestens 0,6°C (33°F) bis hin zu maximal 38°C (100°F).
- Nur Trinkwasser verwenden.

Kinder – Sicherheit

- Bei abschließbaren Türen bewahren Sie den Schlüssel außerhalb der Reichweite von Kindern auf.
- Achten Sie darauf, dass Kinder nicht mit dem Produkt spielen.

Erfüllung von WEEE-Vorgaben zur Entsorgung von Altgeräten:



Dieses Produkt erfüllt die Vorgaben der EU-WEEE-Direktive (2012/19/EU).

Das Produkt wurde mit einem Klassifizierungssymbol für elektrische und

elektronische Altgeräte (WEEE) gekennzeichnet.

Dieses Gerät wurde aus hochwertigen Materialien hergestellt, die wiederverwendet und recycelt werden können. Entsorgen Sie das Gerät am Ende seiner Einsatzzeit nicht mit dem regulären Hausmüll; geben Sie es stattdessen bei einer Sammelstelle zur Wiederverwertung von elektrischen

und elektronischen Altgeräten ab. Ihre Stadtverwaltung informiert Sie gerne über geeignete Sammelstellen in Ihrer Nähe.

Hinweise zur Verpackung

Die Verpackungsmaterialien des Gerätes wurden gemäß nationalen Umweltschutzbestimmungen aus recyclingfähigen Materialien hergestellt. Entsorgen Sie Verpackungsmaterialien nicht mit dem regulären Hausmüll oder anderen Abfällen. Bringen Sie Verpackungsmaterialien zu geeigneten Sammelstellen; Ihre Stadtverwaltung berät Sie gern.

Nicht vergessen!

Recycelte Materialien leisten einen wichtigen Beitrag zu einer schönen und gesunden Umwelt.

Wenn Sie zur Wiederverwertung von Verpackungsmaterialien beitragen möchten, informieren Sie sich bei Ihren Umweltschutzbehörden oder der Stadtverwaltung, wo entsprechende Sammelstellen zu finden sind.

HC-Warnung

Falls das Kühlsystem Ihres Produktes R600a enthält:

Dieses Gas ist leicht entflammbar. Achten Sie also darauf, Kühlkreislauf und Leitungen während Betrieb und Transport nicht zu beschädigen. Bei Beschädigungen halten Sie das Produkt von potenziellen Zündquellen (z. B. offenen Flammen) fern und sorgen für eine gute Belüftung des Raumes, in dem das Gerät aufgestellt wurde.

Ignorieren Sie diese Warnung, falls das Kühlsystem Ihres Produktes R134a enthält.

Die Art des im Gerät eingesetzten Gases wird auf dem Typenschild an der linken Innenwand des Kühlschranks angegeben.

Entsorgen Sie das Produkt keinesfalls durch Verbrennen.

Tipps zum Energiesparen

- Halten Sie die Kühlschrankschranktüren nur möglichst kurz geöffnet.
- Geben Sie keine warmen Speisen oder Getränke in den Kühlschrank.
- Überladen Sie den Kühlschrank nicht; die Luft muss frei zirkulieren können.
- Stellen Sie den Kühlschrank nicht im direkten Sonnenlicht oder in der Nähe von Wärmequellen wie Öfen, Spülmaschinen oder Heizkörpern auf. Halten Sie den Kühlschrank mindestens 30 cm von Wärmequellen und mindestens 5 cm von elektrischen Öfen entfernt.
- Achten Sie darauf, Ihre Lebensmittel in verschlossenen Behältern aufzubewahren.
- Bei Geräten mit Tiefkühlbereich: Sie können noch mehr Lebensmittel einlagern, wenn Sie die Ablage oder Schublade aus dem Tiefkühlbereich herausnehmen. Der für Ihren Kühlschrank angegebene Energieverbrauch wurde nach dem Entfernen der Ablage oder Schublade und bei maximaler Beladung bestimmt. Ansonsten ist es Ihnen freigestellt, die Ablage oder Schublade zu verwenden.
- Das Auftauen von gefrorenen Lebensmitteln im Kühlbereich ist energiesparend und bewahrt die Qualität der Lebensmittel.

3 Installation

⚠ Der Hersteller haftet nicht, falls die Angaben in dieser Anleitung nicht berücksichtigt werden.

Wenn Sie den Kühlschrank versetzen möchten:

1. Ziehen Sie zuvor den Netzstecker. Der Kühlschrank sollte geleert und gesäubert werden, bevor Sie ihn transportieren oder versetzen.
2. Sichern Sie die beweglichen Teile im Inneren (z. B. Ablagen, Zubehör, Gemüsefach etc.) vor dem Verpacken mit Klebeband, schützen Sie solche Teile vor Stößen. Umwickeln Sie die Verpackung mit kräftigem Klebeband oder stabilen Schnüren, beachten Sie die Transporthinweise auf der Verpackung.
4. Originalverpackung und Schaumstoffmaterialien sollten zum zukünftigen Transport des Gerätes aufbewahrt werden.

Vor dem Einschalten

Beachten Sie Folgendes, bevor Sie Ihren Kühlschrank benutzen:

1. Bringen Sie die beiden Kunststoffkeile wie nachstehend abgebildet an. Die Kunststoffkeile sorgen für den nötigen Abstand zwischen Kühlschrank und Wand, damit die Luft frei zirkulieren kann. (Die Abbildung dient lediglich zur Orientierung und kann daher etwas von Ihrem Gerät abweichen.)
2. Bitte bringen Sie die beiden Kunststoffkeile wie in der Abbildung

gezeigt an. Die Kunststoffkeile sorgen für den richtigen Abstand zwischen Kühlschrank und Wand – und damit für die richtige Luftzirkulation. (Die Abbildung dient lediglich zur Orientierung und muss nicht exakt mit Ihrem Gerät übereinstimmen.

3. Reinigen Sie das Innere des Kühlschranks wie im Abschnitt „Wartung und Reinigung“ beschrieben.
4. Schließen Sie den Netzstecker des Kühlschranks an eine Steckdose an. Beim Öffnen der Tür leuchtet die Innenbeleuchtung auf.
5. Beim Anspringen des Kompressors sind Geräusche zu hören. Die Flüssigkeiten und Gase im Kühlsystem können auch leichte Geräusche erzeugen, wenn der Kompressor nicht läuft. Dies ist völlig normal.
6. Die Vorderkanten des Kühlgerätes können sich warm anfühlen. Dies ist normal. Diese Bereiche wärmen sich etwas auf, damit sich kein Kondenswasser bildet.

Elektrischer Anschluss

Schließen Sie das Gerät an eine geerdete (Schuko-) Steckdose an. Diese Steckdose muss mit einer passenden Sicherung abgesichert werden.

Wichtig:

- Der Anschluss muss gemäß lokaler Vorschriften erfolgen.
- Der Netzstecker muss nach der Installation frei zugänglich bleiben.

- Die elektrische Sicherheit des Gerätes ist nur dann gewährleistet, wenn das hausinterne Erdungssystem den zutreffenden Normen entspricht.
- Die auf dem Typenschild an der linken Innenwand des Gerätes angegebene Spannung muss mit Ihrer Netzspannung übereinstimmen.
- **Zum Anschluss dürfen keine Verlängerungskabel oder Mehrfachsteckdosen verwendet werden.**

⚠ Ein beschädigtes Netzkabel muss unverzüglich durch einen qualifizierten Elektriker ausgetauscht werden.

⚠ Das Gerät darf vor Abschluss der Reparaturen nicht mehr betrieben werden! Es besteht Stromschlaggefahr!

Verpackungsmaterialien entsorgen

Das Verpackungsmaterial kann eine Gefahr für Kinder darstellen. Halten Sie Verpackungsmaterialien von Kindern fern oder entsorgen Sie das Verpackungsmaterial gemäß gültigen Entsorgungsbestimmungen. Entsorgen Sie das Verpackungsmaterial über geeignete Sammelstellen (Ihre Stadtverwaltung informiert Sie gerne), nicht über den regulären Hausmüll.

Die Verpackung Ihres Gerätes wurde aus recyclingfähigen Materialien hergestellt.

Altgeräte entsorgen

Entsorgen Sie Altgeräte auf umweltfreundliche Weise.

- Bei Fragen zur richtigen Entsorgung wenden Sie sich bitte an Ihren Händler, an eine Sammelstelle oder an Ihre Stadtverwaltung.

Bevor Sie das Gerät entsorgen, schneiden Sie den Netzstecker ab und machen die Türverschlüsse (sofern vorhanden) unbrauchbar, damit Kinder nicht in Gefahr gebracht werden.

Aufstellung und Installation

⚠ Falls die Tür des Raumes, in dem der Kühlschrank aufgestellt werden soll, nicht breit genug ist, wenden Sie sich an den autorisierten Kundendienst, lassen die Kühlschranktüren demontieren und befördern das Gerät seitlich durch die Tür.

1. Stellen Sie Ihren Kühlschrank an einer gut erreichbaren Stelle auf.
2. Platzieren Sie den Kühlschrank nicht in der Nähe von Wärmequellen oder dort, wo er Feuchtigkeit oder direktem Sonnenlicht ausgesetzt ist.
3. Damit das Gerät richtig arbeiten kann, müssen Sie ausreichend Platz um das Gerät herum freilassen, damit eine ordentliche Belüftung gewährleistet ist. Wenn Sie den Kühlschrank in einer Nische aufstellen, müssen Sie einen Abstand von mindestens 5 cm zur Decke und 5 cm zu den Wänden einhalten. Stellen Sie das Gerät nicht auf Materialien wie Teppichen oder Teppichböden auf.
4. Stellen Sie Ihren Kühlschrank auf einem ebenen Untergrund auf, damit er nicht wackelt.

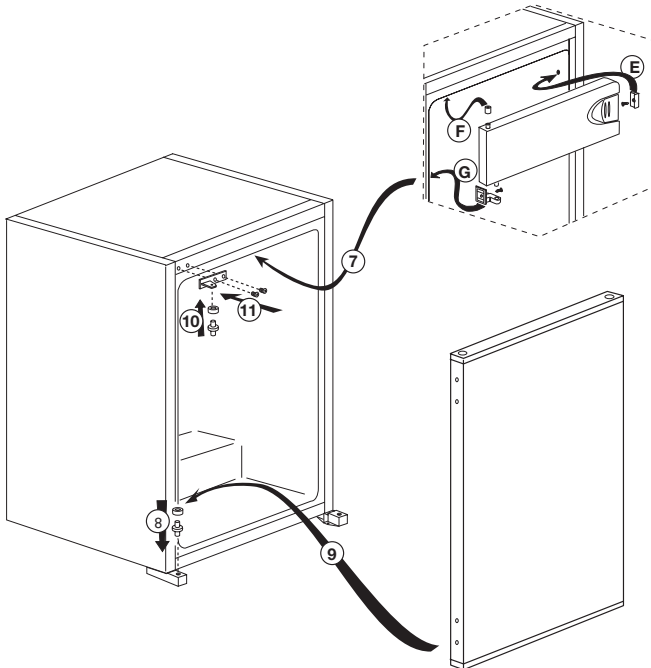
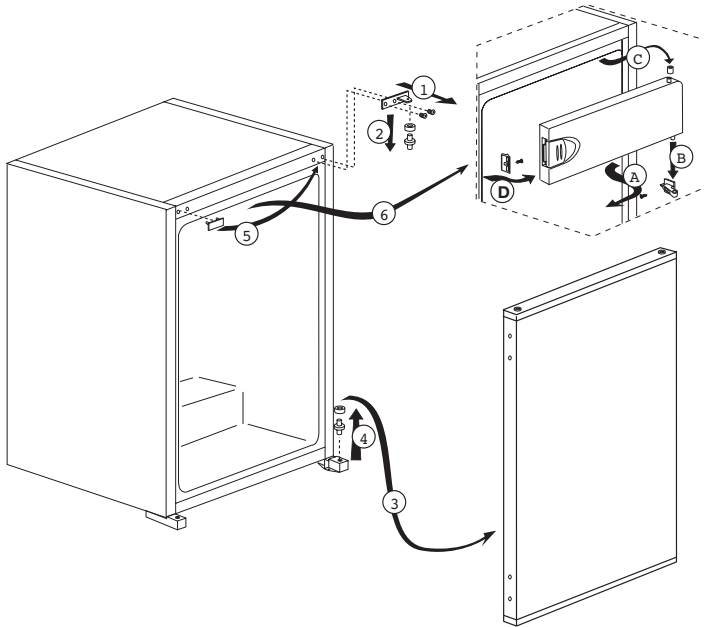
Beleuchtung auswechseln

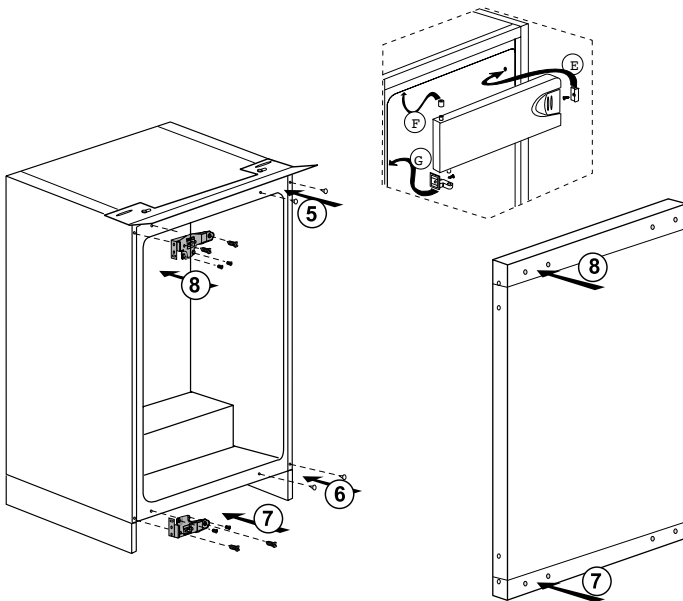
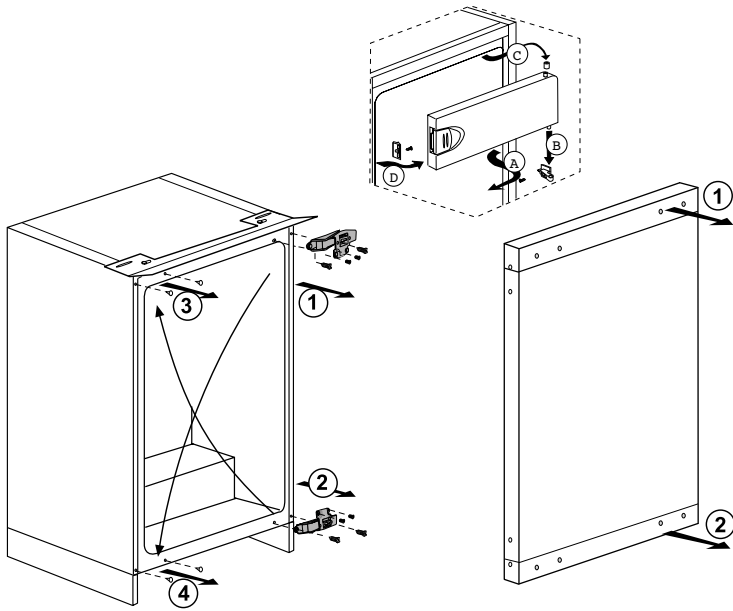
Die Innenbeleuchtung Ihres Kühlschranks sollte ausschließlich vom autorisierten Kundendienst ausgetauscht werden.

Die Glühbirnen für dieses Haushaltsgerät sind für Beleuchtungszwecke nicht geeignet. Die beabsichtigte Aufgabe dieser Lampe ist es den Benutzer zu ermöglichen die Plazierung der Lebensmittel in den Kühlschrank / Eiskühltruhe sicher und bequem vorzunehmen.

Die in diesem Gerät verwendeten Lampen müssen extremen physikalischen Bedingungen, wie z. B. Temperaturen von $-20\text{ }^{\circ}\text{C}$, standhalten.

Türanschlag umkehren



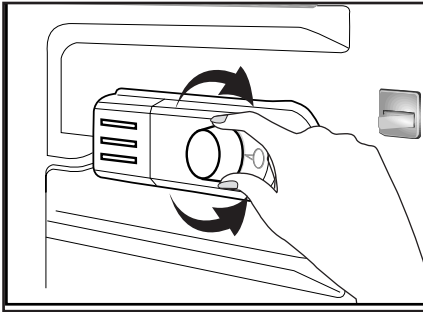


4 Vorbereitung

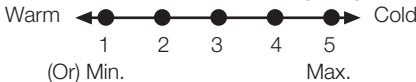
- i** Ihr Kühlschrank sollte mindestens 30 cm von Hitzequellen wie Kochstellen, Öfen, Heizungen, Herden und ähnlichen Einrichtungen aufgestellt werden. Halten Sie mindestens 5 cm Abstand zu Elektroöfen ein, vermeiden Sie die Aufstellung im direkten Sonnenlicht.
- i** Die Zimmertemperatur des Raumes, in dem der Kühlschrank aufgestellt wird, sollte mindestens 10 °C betragen. Im Hinblick auf den Wirkungsgrad ist der Betrieb des Kühlschranks bei geringerer Umgebungstemperatur nicht ratsam.
- i** Sorgen Sie dafür, dass das Innere Ihres Kühlschranks gründlich gereinigt wird.
- i** Falls zwei Kühlschränke nebeneinander aufgestellt werden sollen, achten Sie darauf, dass sie mindestens 2 cm voneinander entfernt platziert werden.
- i** Wenn Sie den Kühlschrank zum ersten Mal in Betrieb nehmen, halten Sie sich bitte an die folgenden Anweisungen für die ersten sechs Betriebsstunden.
 - Die Kühlschranktür sollte nicht zu häufig geöffnet werden.
 - Der Kühlschrank muss zunächst vollständig leer arbeiten.
 - Ziehen Sie nicht den Netzstecker. Falls der Strom ausfallen sollte, beachten Sie die Warnhinweise im Abschnitt „Empfehlungen zur Problemlösung“.
- i** Originalverpackung und Schaumstoffmaterialien sollten zum zukünftigen Transport des Gerätes aufbewahrt werden.

5 Nutzung des Kühlschranks

Thermostateinstelltaste



Die Betriebstemperatur wird über die Temperatursteuerung reguliert.



1 = Schwächste Kühlung (wärmste Einstellung)

5 = Stärkste Kühlung (kälteste Einstellung)

(Oder)

Min. = Schwächste Kühlung

(wärmste Einstellung)

Max. = Stärkste Kühlung

(kälteste Einstellung)

Die Durchschnittstemperatur im Inneren des Kühlschranks sollte bei etwa +5 °C liegen.

Bitte wählen Sie die der gewünschten Temperatur entsprechende Einstellung.

Bitte beachten Sie, dass im Kühlbereich unterschiedliche Temperaturen herrschen.

Der kälteste Bereich befindet sich unmittelbar über dem Gemüsefach.

Die Innentemperatur hängt auch von der Umgebungstemperatur ab, außerdem davon, wie oft die Tür geöffnet wird und wie viel Lebensmittel im Inneren gelagert werden.

Beim häufigen Öffnen der Tür steigt die Innentemperatur an.

Aus diesem Grund empfehlen wir, die Tür möglichst schnell wieder zu schließen.

Die Innentemperatur Ihres Kühlschranks hängt teilweise von folgenden Einflüssen ab:

- Umgebungstemperatur
- Häufigkeit der Türöffnungen, Offenstehen der Tür über längere Zeit
- Einlagern von Lebensmitteln, ohne diese zuvor auf Raumtemperatur abkühlen zu lassen
- Platzierung des Kühlschranks innerhalb des Raumes (z. B. im direkten Sonnenlicht).
- Zum Anpassen der Innentemperatur an solche Einflüsse benutzen Sie das Thermostat. Die Zahlen rund um die Thermostateinstelltaste zeigen die Kühlungsleistung an.
- Falls die Umgebungstemperatur mehr als 32 °C beträgt, wählen Sie die höchstmögliche Thermostateinstellung.
- Sofern die Umgebungstemperatur weniger als 25 °C beträgt, wählen Sie die geringste Thermostateinstellung.


Kühlen

Lagern von Lebensmitteln

Der Kühlbereich ist für die kurzfristige Lagerung von frischen Lebensmitteln und Getränken vorgesehen.

Gefrieren


Einfrieren von Lebensmitteln

Der Gefrierbereich ist mit dem Symbol  gekennzeichnet.

In Ihrem Gerät können Sie frische Nahrungsmittel einfrieren und auch bereits gefrorene Lebensmittel lagern.

Bitte beachten Sie dazu die Empfehlungen auf der Verpackung der Lebensmittel.

Lagerung von Tiefkühlkost

Der Tiefkühlbereich ist mit dem Symbol  gekennzeichnet.

Im Tiefkühlbereich können Sie vorgefrorene Lebensmittel lagern. Die Lagerungsempfehlungen auf der Lebensmittelverpackung sollten immer eingehalten werden.

Abtauen

A) Kühlbereich

Der Kühlbereich taut vollautomatisch ab. Im Betrieb können sich Wassertropfen und eine 7 – 8 mm starke Eisschicht an der Innenwand des Kühlbereiches absetzen. Dies ist vollkommen normal und ein Nebeneffekt des Kühlungssystems. Dank des automatischen Abtausystems an der Rückwand wird das Eis in bestimmten Abständen automatisch abgetaut. Weder Eis noch Wassertropfen müssen manuell entfernt werden.

Beim Abtauen läuft das Tauwasser in die Ablaufrinne und fließt anschließend zum Verdampfer - hier verdunstet das Wasser automatisch.

Überzeugen Sie sich regelmäßig davon, dass der Ablauf nicht verstopft ist; beseitigen Sie eventuelle Verstopfungen mit dem Stäbchen.

Der Tiefkühlbereich wird nicht automatisch abgetaut, da es ansonsten schnell zum Verderben gefrorener Lebensmittel kommen könnte.

B) Tiefkühlbereich

Dank einer speziellen Tauwassersammelschale ist das Abtauen einfach und nicht mit Verunreinigungen verbunden.

Tauen Sie zweimal jährlich ab, oder wenn die Eisschicht auf etwa 7 mm angewachsen ist. Um den Abtauprozess zu starten, schalten Sie das Gerät am Steckdosenschalter aus und ziehen den Stecker aus der Steckdose.

Sämtliche Lebensmittel sollten in mehrere Lagen Papier eingewickelt und an einem kalten Ort (z. B. Kühlschrank oder Speisekammer) gelagert werden.

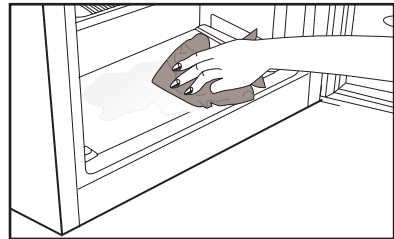
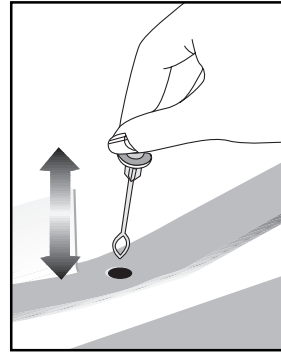
Um den Abtauvorgang zu beschleunigen, können Sie Schüsseln mit warmem Wasser in das Gerät stellen.

Verwenden Sie keine spitzen oder scharfen Gegenstände (wie Messer oder Gabeln) zum Entfernen der Eisschicht.

Verwenden Sie niemals Haartrockner, elektrische Heizgeräte oder ähnliches zum Beschleunigen des Abtauvorgangs.

Wischen Sie das Tauwasser, welches sich am Boden des Tiefkühlbereichs ansammelt, mit einem Schwamm auf. Trocknen Sie nach Beendigung des Abtauens die Innenseiten gut ab.

Stecken Sie den Netzstecker wieder in die Steckdose, schalten Sie die Stromzufuhr wieder ein.



Gerät stoppen

Bei Thermostaten mit 0-Position:

- Ihr Gerät stoppt, wenn Sie den Thermostatknopf in die 0-Position drehen. Das Gerät läuft erst dann wieder an, wenn Sie den Thermostatknopf wieder auf 1 oder eine höhere Position einstellen.

Bei Thermostaten mit „min“-Position:

- Bitte ziehen Sie zum Abschalten den Netzstecker.

6 **Wartung und Reinigung**

- ⚠ Verwenden Sie zu Reinigungszwecken niemals Benzin oder ähnliche Substanzen.
- ⚠ Wir empfehlen, vor dem Reinigen den Netzstecker zu ziehen.
- ❗ Verwenden Sie zur Reinigung niemals scharfe Gegenstände, Seife, Haushaltsreiniger, Waschmittel oder Wachspolituren.
- ❗ Bei nicht eisfreien Geräten bilden sich Wassertropfen an der Rückwand des Kühlfaches, die zu einer fingerdicken Eisschicht gefrieren können. Nicht beseitigen, nicht reinigen, niemals Öl oder andere Mittel auftragen.
- ❗ Reinigen Sie die Außenflächen des Gerätes nur mit einem leicht angefeuchteten Mikrofaser Tuch. Schwämme und andere Reinigungshilfen können die Oberfläche verkratzen.
- ❗ Reinigen Sie das Gehäuse des Gerätes mit lauwarmem Wasser, wischen Sie die Flächen danach trocken.
- ⚠ Zur Reinigung des Innenraums verwenden Sie ein feuchtes Tuch, das Sie in eine Lösung aus 1 Teelöffel Natron und einem halben Liter Wasser getaucht und ausgewrungen haben. Nach dem Reinigen wischen Sie den Innenraum trocken.
- ⚠ Achten Sie darauf, dass kein Wasser in das Lampengehäuse oder andere elektrische Komponenten eindringt.
- ⚠ Wenn Ihr Kühlgerät längere Zeit nicht benutzt wird, ziehen Sie den Netzstecker, nehmen alle

Lebensmittel heraus, reinigen das Gerät und lassen die Türe geöffnet.

- ❗ Kontrollieren Sie die Türdichtungen regelmäßig, um sicherzustellen, dass diese sauber und frei von Speiseresten sind.
- ❗ Zum Entfernen einer Türablage räumen Sie sämtliche Gegenständen aus der Ablage und schieben diese dann nach oben heraus.
- ❗ Verwenden Sie zur Reinigung der Außenflächen und Chrombeschichteten Produktteile niemals Reinigungsmittel oder Wasser, die/das Chlor enthält. Chlor lässt Metalloberflächen korrodieren.
- ❗ Verwenden Sie keine spitzen oder scheuernde Gegenstände, Seifen, Reinigungsmittel bzw. Chemikalien, sowie auch kein Benzin, keine Benzole bzw. Wachse usw. Andernfalls werden die Einprägungen auf den Plasteteilen möglicherweise beschädigt oder deformiert. Verwenden Sie warmes Wasser und einen weichen Lappen zum anschließenden Trockenreiben.

Schutz der Kunststoffflächen

- ❗ Geben Sie keine Öle oder stark fetthaltige Speisen offen in Ihren Kühlschrank / Gefrierschrank – dadurch können die Kunststoffflächen angegriffen werden. Sollten die Plastikoberflächen einmal mit Öl in Berührung kommen, so reinigen Sie die entsprechend Stellen umgehend mit warmem Wasser.

7 Problemlösung

Bitte arbeiten Sie diese Liste durch, bevor Sie sich an den Kundendienst wenden. Dies kann Ihnen Zeit und Geld sparen. In der Liste finden Sie häufiger auftretende Probleme, die nicht auf Verarbeitungs- oder Materialfehler zurückzuführen sind. Nicht alle hier beschriebenen Funktionen sind bei jedem Modell verfügbar.

Der Kühlschrank arbeitet nicht.

- Der Netzstecker ist nicht richtig eingesteckt. >>> Stecken Sie den Netzstecker bis zum Anschlag in die Steckdose.
- Die entsprechende Haussicherung ist herausgesprungen oder durchgebrannt. >>> Überprüfen Sie die Sicherung.

Kondensation an den Seitenwänden des Kühlbereiches (Multizone, Kühlkontrolle und FlexiZone).

- Die Tür wurde häufig geöffnet. >>> Verzichten Sie auf häufiges Öffnen der Kühlschranktür.
- Die Luftfeuchtigkeit in der Umgebung ist zu hoch. >>> Stellen Sie Ihren Kühlschrank nicht an Orten mit hoher Luftfeuchtigkeit auf.
- Lebensmittel mit hohem Flüssigkeitsanteil werden in offenen Behältern aufbewahrt. >>> Bewahren Sie Lebensmittel mit hohem Flüssigkeitsanteil nicht in offenen Behältern auf.
- Die Kühlschranktür steht offen. >>> Schließen Sie die Kühlschranktür.
- Das Thermostat ist auf eine sehr geringe Temperatur eingestellt. >>> Stellen Sie das Thermostat entsprechend nach.

Der Kompressor läuft nicht.

- Eine Schutzschaltung stoppt den Kompressor bei kurzzeitigen Unterbrechungen der Stromversorgung und wenn das Gerät zu oft und schnell ein- und ausgeschaltet wird, da der Druck des Kühlmittels eine Weile lang ausgeglichen werden muss. Der Kühlschrank beginnt nach etwa sechs Minuten wieder zu arbeiten. Bitte wenden Sie sich an den Kundendienst, falls Ihr Kühlschrank nach Ablauf dieser Zeit nicht wieder zu arbeiten beginnt.
 - Der Kühlschrank taut ab. >>> Dies ist bei einem vollautomatisch abtauenden Kühlschrank völlig normal. Das Gerät taut von Zeit zu Zeit ab.
 - Der Netzstecker ist nicht eingesteckt. >>> Überprüfen Sie, ob der Netzstecker richtig eingesteckt wurde.
 - Die Temperatur ist nicht richtig eingestellt. >>> Wählen Sie eine geeignete Temperatur.
 - Der Strom ist ausgefallen. >>> Sobald die Stromversorgung wiederhergestellt ist, nimmt der Kühlschrank den Betrieb wieder auf.
- ### Das Betriebsgeräusch nimmt zu, wenn der Kühlschrank arbeitet.
- Das Leistungsverhalten des Kühlgerätes kann sich je nach Umgebungstemperatur ändern. Dies ist völlig normal und keine Fehlfunktion.

Der Kühlschrank arbeitet sehr intensiv oder über eine sehr lange Zeit.

- Ihr neues Gerät ist vielleicht etwas breiter als sein Vorgänger. Große Kühlgeräte arbeiten oft etwas länger.
- Die Umgebungstemperatur ist eventuell sehr hoch. >>> Bei hohen Umgebungstemperaturen arbeitet das Gerät etwas länger.
- Der Kühlschrank wurde möglicherweise erst vor Kurzem in Betrieb genommen oder mit Lebensmitteln gefüllt. >>> Wenn der Kühlschrank erst vor Kurzem in Betrieb genommen oder mit Lebensmitteln gefüllt wurde, dauert es einige Zeit, bis er die eingestellte Temperatur erreicht. Dies ist normal.
- Kurz zuvor wurden größere Mengen warmer Speisen in den Kühlschrank gestellt. >>> Geben Sie keine warmen oder gar heißen Speisen in den Kühlschrank.
- Die Türen wurden häufig geöffnet oder längere Zeit nicht richtig geschlossen. >>> Der Kühlschrank muss länger arbeiten, weil warme Luft in den Innenraum eingedrungen ist. Verzichten Sie auf häufiges Öffnen der Türen.
- Die Türen des Kühl- oder Tiefkühlbereiches wurden nicht richtig geschlossen. >>> Vergewissern Sie sich, dass die Türen richtig geschlossen wurden.
- Die Kühlschranktemperatur ist sehr niedrig eingestellt. >>> Stellen Sie die Kühlschranktemperatur höher ein. Warten Sie dann ab, bis die gewünschte Temperatur erreicht ist.
- Die Türdichtungen von Kühl- oder Gefrierbereich sind verschmutzt, verschlissen, beschädigt oder sitzen nicht richtig. >>> Reinigen oder ersetzen Sie die Dichtung. Beschädigte oder defekte Dichtungen führen dazu, dass der Kühlschrank länger arbeiten muss, um die Temperatur halten zu können.

Die Temperatur im Tiefkühlbereich ist sehr niedrig, während die Temperatur im Kühlbereich normal ist.

- Die Tiefkühltemperatur ist sehr niedrig eingestellt. >>> Stellen Sie die Tiefkühltemperatur wärmer ein, prüfen Sie die Temperatur nach einer Weile.

Die Temperatur im Kühlbereich ist sehr niedrig, während die Temperatur im Tiefkühlbereich normal ist.

- Die Kühltemperatur ist sehr niedrig eingestellt. >>> Stellen Sie die Kühlbereichtemperatur wärmer ein, prüfen Sie die Temperatur nach einer Weile.

Im Kühlbereich gelagerte Lebensmittel frieren ein.

- Die Kühltemperatur ist sehr niedrig eingestellt. >>> Wählen Sie eine höhere Kühlbereichtemperatur, prüfen Sie die Temperatur nach einer Weile.

Die Temperatur im Kühl- oder Tiefkühlbereich ist sehr hoch.

- Die Kühltemperatur ist sehr hoch eingestellt. >>> Die Kühlbereichtemperatur wirkt sich auf die Temperatur des Tiefkühlbereichs aus. Ändern Sie die Temperatur des Kühl- oder Tiefkühlbereichs und warten Sie, bis die entsprechenden Fächer eine geeignete Temperatur erreicht haben.
- Türen wurden häufig geöffnet oder längere Zeit nicht richtig geschlossen. >>> Verzichten Sie auf häufiges Öffnen der Türen.
- Die Tür steht offen. >>> Schließen Sie die Tür komplett.
- Der Kühlschrank wurde möglicherweise erst vor Kurzem in Betrieb genommen oder mit Lebensmitteln gefüllt. >>> Dies ist normal. Wenn der Kühlschrank erst vor Kurzem in Betrieb genommen oder mit Lebensmitteln gefüllt wurde, dauert es einige Zeit, bis er die eingestellte Temperatur erreicht.
- Kurz zuvor wurden größere Mengen warmer Speisen in den Kühlschrank gestellt. >>> Geben Sie keine warmen oder gar heißen Speisen in den Kühlschrank.

Vibrationen oder Betriebsgeräusche.

- Der Boden ist nicht eben oder nicht stabil genug. >>> Falls der Kühlschrank bei leichten Bewegungen wackelt, gleichen Sie ihn mit Hilfe seiner Füße aus. Achten Sie außerdem darauf, dass der Boden eben ist und das Gewicht des Kühlschranks problemlos tragen kann.
- Gegenstände, die auf dem Kühlschrank abgestellt wurden, können Geräusche verursachen. >>> Nehmen Sie die Gegenstände vom Kühlschrank.

Fließ- oder Spritzgeräusche sind zu hören.

- Aus technischen Gründen bewegen sich Flüssigkeiten und Gase innerhalb des Gerätes. Dies ist völlig normal und keine Fehlfunktion.

Der Kühlschrank pfeift.

- Zum gleichmäßigen Kühlen werden Ventilatoren eingesetzt. Dies ist völlig normal und keine Fehlfunktion.

Kondensation an den Kühlschrankinnenflächen.

- Bei heißen und feuchten Wetterlagen treten verstärkt Eisbildung und Kondensation auf. Dies ist völlig normal und keine Fehlfunktion.
- Türen wurden häufig geöffnet oder längere Zeit nicht richtig geschlossen. >>> Verzichten Sie auf häufiges Öffnen der Türen. Schließen Sie geöffnete Türen.
- Die Tür steht offen. >>> Schließen Sie die Tür komplett.

Feuchtigkeit sammelt sich an der Außenseite des Kühlschranks oder an den Türen.

- Eventuell herrscht hohe Luftfeuchtigkeit; dies ist je nach Wetterlage völlig normal. Die Kondensation verschwindet, sobald die Feuchtigkeit abnimmt.

Unangenehmer Geruch im Kühlschrank.

- Der Kühlschrank wurde nicht regelmäßig gereinigt. >>> Reinigen Sie das Innere des Kühlschranks regelmäßig mit einem Schwamm, den Sie mit lauwarmem Wasser oder einer Natron-Wasser-Lösung angefeuchtet haben.
- Bestimmte Behälter oder Verpackungsmaterialien verursachen den Geruch. >>> Verwenden Sie andere Behälter oder Verpackungsmaterial einer anderen Marke.
- Lebensmittel wurden in offenen Behältern in den Kühlschrank gegeben. >>> Lagern Sie Lebensmittel in geschlossenen Behältern. Mikroorganismen, die aus unverschlossenen Behältern entweichen, können üble Gerüche verursachen.
- Nehmen Sie Lebensmittel mit abgelaufenem Mindesthaltbarkeitsdatum sowie verdorbene Lebensmittel aus dem Kühlschrank.

Die Tür lässt sich nicht schließen.

- Lebensmittelpackungen verhindern ein vollständiges Schließen der Tür. >>> Entfernen Sie die Verpackungen, welche die Tür blockieren.
- Der Kühlschrank steht nicht vollständig eben auf dem Boden. >>> Gleichen Sie den Kühlschrank mit Hilfe der Füße aus.
- Der Boden ist nicht eben oder nicht stabil genug. >>> Achten Sie darauf, dass der Boden eben ist und das Gewicht des Kühlschranks problemlos tragen kann.

Das Gemüsefach klemmt.

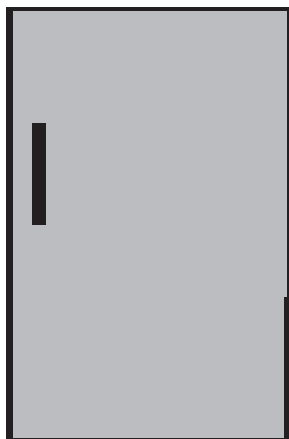
- Lebensmittel berühren eventuell den oberen Teil der Schublade. >>> Ordnen Sie die Lebensmittel in der Schublade anders an.

Wenn Die Produktoberfläche Heiss Ist.

- Die Bereiche zwischen den beiden Türen, an den Seitenflächen und hinten am Grill können im Betrieb sehr heiß werden. Dies ist völlig normal und weist nicht auf eine Fehlfunktion hin.

Koelkast

Gebruiksaanwijzing



FR |

beko

Veillez d'abord lire la notice d'utilisation !

Chère cliente, cher client,

Nous espérons que votre produit, qui a été fabriqué dans des usines modernes et vérifié au terme des procédures de contrôle de qualité les plus méticuleuses, vous aidera efficacement.

Pour cette raison, nous vous conseillons de lire attentivement tout le manuel d'utilisation de votre produit avant de vous en servir, et de le conserver ensuite pour une utilisation ultérieure.

Le présent manuel

- Vous aidera à utiliser votre produit avec rapidité et sécurité.
 - Lisez le manuel avant d'installer et de faire fonctionner votre produit.
 - Respectez les instructions, notamment celles relatives à la sécurité.
 - Conservez ce manuel dans un endroit facilement accessible car vous pouvez en avoir besoin ultérieurement.
 - En plus, lisez également les autres documents fournis avec votre produit.
- Veillez noter que ce manuel peut également être valide pour d'autres modèles.

Symboles et descriptions

Vous retrouverez les symboles suivants dans le présent manuel :




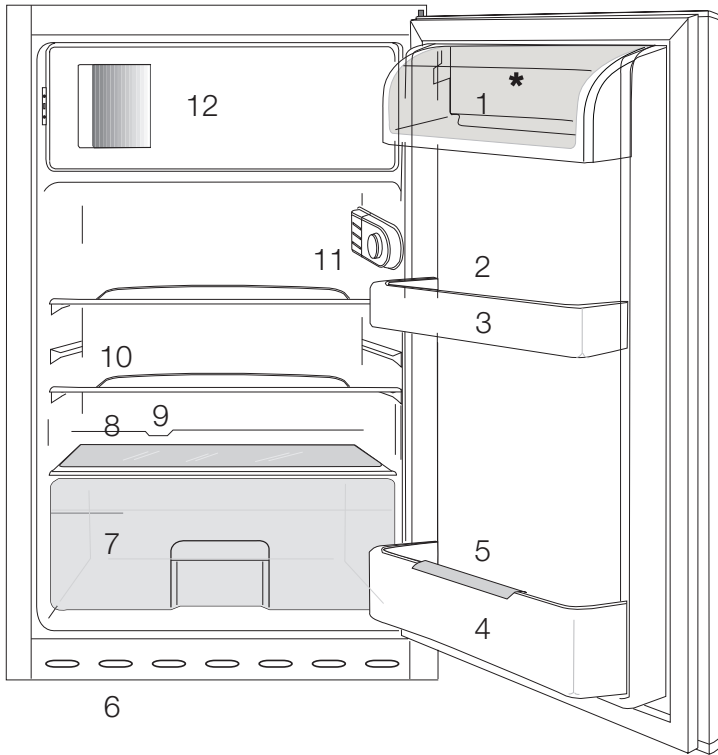
-  Informations importantes ou astuces.
-  Avertissement relatif aux conditions dangereuses pour la vie et la propriété.
-  Avertissement relatif à la tension électrique.

TABLE DES MATIÈRES

1 Votre réfrigérateur	4	4 Préparation	16
2 Précautions de sécurité importantes	5	5 Utilisation du réfrigérateur	17
Sécurité générale.....	6	Bouton de réglage du thermostat	17
Pour les appareils dotés d'une fontaine à eau	9	Réfrigération	18
Sécurité enfants.....	9	Congélation	18
Conformité avec la réglementation DEEE et mise au rebut des déchets...9		Décongélation	18
Informations relatives à l'emballage..	10	Interruption du produit	19
Avertissement HC.....	10	6 Entretien et nettoyage	20
Mesures d'économie d'énergie.....	10	Protection des surfaces en plastique.	20
3 Installation	12	7 Dépannage	21
Éléments à prendre en considération lors du déplacement de votre réfrigérateur	12		
Avant de mettre votre réfrigérateur en marche	12		
Branchement électrique.....	12		
Mise au rebut de l'emballage	13		
Mise au rebut de votre ancien réfrigérateur	13		
Disposition et Installation	13		
Réversibilité des portes.....	14		

1 Votre réfrigérateur



- 1. Compartiment produits laitiers
- 2. Casier à œufs (1 pcs.)
- 3. Balconnets de porte
- 4. Clayette range-bouteilles
- 5. Range-bouteilles
- 6. Grille d'aération
- 7. Bac à légumes
- 8. Couvercle du bac à légumes
- 9. Voie de récupération de l'eau de dégivrage - Tube d'écoulement
- 10. Tablettes mobiles
- 11. Éclairage intérieur & commande du thermostat
- 12.a.) Compartiment de congélation & bac à glaçons (pour les modèles * ***) b.) Compartiment pour denrées congelées & bac à glaçons (pour les modèles (* *))

*** Peut ne pas être possible dans tous les modèles**

i Les illustrations présentées dans cette notice d'utilisation sont schématiques et peuvent ne pas correspondre exactement à votre produit. Si des pièces présentées ne sont pas comprises dans le produit que vous avez acheté, elles sont valables pour d'autres modèles.

2 Précautions de sécurité importantes

Veillez examiner les informations suivantes :

Cet appareil peut être utilisé par des enfants âgés d'au moins 8 ans et par des personnes ayant des capacités physiques, sensorielles ou mentales réduites ou dénuées d'expérience ou de connaissance, s'ils (si elles) sont correctement surveillé(e)s ou si des instructions relatives à l'utilisation de l'appareil en toute sécurité leur ont été données et si les risques encourus ont été appréhendées. Les enfants ne doivent pas jouer avec l'appareil. Le nettoyage et l'entretien par l'utilisateur ne doivent pas être effectués par des enfants sans surveillance.

Le non respect de ces consignes peut entraîner des blessures ou dommages matériels. Sinon, tout engagement lié à la garantie et à la fiabilité du produit devient invalide.

Les pièces détachées d'origine sont disponibles pendant 10 ans, à compter de la date d'achat du produit.

REMARQUE :



Assurez-vous que les trous d'aération ne sont pas fermés quand le dispositif est dans son boîtier ou est installé à sa place.



REMARQUE:

Ne pas utiliser tout dispositif mécanique ou un autre dispositif hors des recommandations du fabricant pour accélérer le processus de décongeler.



REMARQUE:

Ne pas endommager le circuit de fluide du réfrigérateur.



REMARQUE:

Ne pas utiliser des appareils électriques non prévus par le fabricant dans les compartiments de conservation des aliments.



AVERTISSEMENT:

Ne conservez pas de substances explosives comme des aérosols avec un liquide inflammable dans cet appareil.

Ce dispositif est conçu pour l'usage domestique ou les applications similaires suivantes :

- Pour être utilisé dans la cuisine de personnel dans les magasins, bureaux et autres environnements de travail ;
- Pour être utilisé par les clients dans les maisons de campagne et hôtels et les autres environnements d'hébergement ;
- Dans des environnements de type de pension de famille

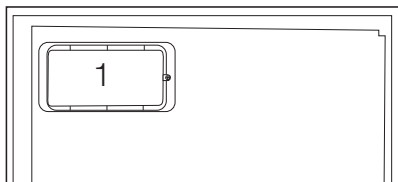
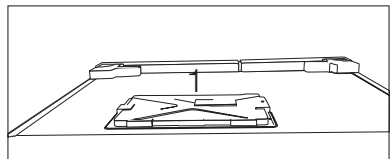
- Dans des applications similaires n'ayant pas de service alimentaire et non détaillants

Sécurité générale

- Si le cordon d'alimentation est endommagé, celui-ci doit être remplacé par le fabricant, ses agents agréés ou tout autre agent qualifié afin d'être à l'abri de tout danger.
- Avant de vous débarrasser de votre appareil, veuillez consulter les autorités locales ou votre revendeur pour connaître le mode opératoire et les organismes de collecte agréés.
- Consultez le service après-vente agréé concernant toutes questions ou problèmes relatifs au réfrigérateur. N'intervenez pas ou ne laissez personne intervenir sur le réfrigérateur sans le communiquer au service après-vente agréé.
- Pour les produits équipés d'un compartiment congélateur : ne mangez pas de cônes de crème glacée ou des glaçons immédiatement après les avoir sortis du compartiment de congélation ! (Cela pourrait provoquer des engelures).
- Pour les produits équipés d'un compartiment congélateur : ne placez pas de boissons en bouteille ou en cannette dans le compartiment de congélation. Cela peut entraîner leur éclatement.
- Ne touchez pas des produits congelés avec les mains, ils pourraient se coller à celles-ci.
- Débranchez votre réfrigérateur avant de le nettoyer ou de le dégivrer.
- La vapeur et des matériaux de nettoyage pulvérisés ne doivent jamais être utilisés pour les processus de nettoyage ou de dégivrage de votre réfrigérateur. La vapeur pourrait pénétrer dans les pièces électriques et provoquer des courts-circuits ou des électrocutions.
- Ne jamais utiliser les pièces de votre réfrigérateur telles que la porte, comme un support ou une marche.
- N'utilisez pas d'appareils électriques à l'intérieur du réfrigérateur.
- N'endommagez pas les pièces où circule le liquide réfrigérant avec des outils de forage ou coupants. Le liquide réfrigérant qui pourrait s'échapper si les canalisations de gaz de l'évaporateur, les rallonges de tuyau ou les revêtements de surface étaient percés, cela pourrait irriter la peau et provoquer des blessures aux yeux.
- Ne pas couvrir ou obstruer les orifices de ventilation du réfrigérateur.
- Les appareils électriques peuvent être réparés seulement par des personnes autorisées. Les réparations réalisées par des personnes ne présentant pas les compétences requises peuvent présenter un risque pour l'utilisateur.

- En cas de dysfonctionnement ou lors d'opérations d'entretien ou de réparation, débranchez l'alimentation électrique du réfrigérateur soit en désactivant le fusible correspondant, soit en débranchant l'appareil.
- Assurez-vous que les boissons comportant un taux d'alcool très élevé sont conservées en sécurité avec leur couvercle fixé et placées en position verticale.
- Placez les boissons alcoolisées verticalement, dans des récipients convenablement fermés.
- Ne conservez jamais des aérosols contenant des substances inflammables et explosives dans le réfrigérateur.
- N'utilisez pas d'outils mécaniques ou autres dispositifs pour accélérer le processus de décongélation autres que ceux qui sont recommandés par le fabricant.
- Ce produit n'est pas conçu pour être utilisé par des personnes (enfants compris) souffrant de déficience physique, sensorielle, mentale, ou inexpérimentées, à moins d'avoir obtenu une autorisation auprès des personnes responsables de leur sécurité.
- Ne faites pas fonctionner un réfrigérateur endommagé. Consultez le service agréé en cas de problème.
- La sécurité électrique du réfrigérateur n'est assurée que si le système de mise à la terre de votre domicile est conforme aux normes en vigueur.
- L'exposition du produit à la pluie, la neige, au soleil ou au vent présente des risques concernant la sécurité électrique.
- Contactez le service agréé quand un câble d'alimentation est endommagé pour éviter tout danger.
- Ne branchez jamais le réfrigérateur à la prise murale au cours de l'installation. Vous vous exposeriez à un risque de mort ou à de blessures graves.
- Ce réfrigérateur est conçu seulement pour conserver des aliments. Par conséquent, il ne doit pas être utilisé à d'autres fins.
- L'étiquette avec les caractéristiques techniques est située sur la paroi gauche à l'intérieur du réfrigérateur.
- Ne branchez jamais votre réfrigérateur à des systèmes d'économie d'énergie, cela peut l'endommager.
- S'il y a une lumière bleue sur le réfrigérateur, ne la regardez ni avec vos yeux nus, ni avec des outils optiques pendant longtemps.
- Pour les réfrigérateurs contrôlés manuellement, attendez au moins 5 minutes pour allumer le réfrigérateur après une coupure de courant.
- Si cet appareil venait à changer de propriétaire, n'oubliez pas de remettre la présente notice d'utilisation au nouveau bénéficiaire.

- Évitez d'endommager le câble d'alimentation quand vous transportez le réfrigérateur. Tordre le câble peut entraîner un incendie. Ne placez jamais d'objets lourds sur le câble d'alimentation.
- Évitez de toucher à la prise avec des mains mouillées au moment de brancher l'appareil.
- Évitez de brancher le réfrigérateur lorsque la prise de courant électrique a lâché.
- Pour des raisons de sécurité, évitez de pulvériser directement de l'eau sur les parties externes et internes du réfrigérateur.
- Ne pulvérisez pas de substances contenant des gaz inflammables comme du propane près du réfrigérateur pour éviter tout risque d'incendie et d'explosion.
- Ne placez jamais de récipients contenant de l'eau sur votre réfrigérateur, ils pourraient causer des chocs électriques ou un incendie.
- Évitez de surcharger le réfrigérateur avec une quantité excessive d'aliments. S'il est surchargé, les aliments peuvent tomber, vous blesser et endommager le réfrigérateur quand vous ouvrez la porte.
- Ne placez jamais d'objets au-dessus du réfrigérateur, ils pourraient tomber quand vous ouvrez ou fermez la porte du réfrigérateur.
- Les produits qui nécessitent un contrôle de température précis (vaccin, médicament sensible à la chaleur, matériels scientifiques, etc.) ne doivent pas être conservés dans le réfrigérateur.
- Si le réfrigérateur n'est pas utilisé pendant longtemps, il doit être débranché. Un problème avec le câble d'alimentation pourrait causer un incendie.
- Le réfrigérateur peut bouger si ses pieds réglables ne sont pas bien fixés sur le sol. Bien fixer les pieds réglables sur le sol peut empêcher le réfrigérateur de bouger.
- Quand vous transportez le réfrigérateur, ne le tenez pas par la poignée de la porte. Cela peut le casser.
- Quand vous devez placer votre produit près d'un autre réfrigérateur ou congélateur, la distance entre les appareils doit être d'au moins 8 cm. Sinon, les murs adjacents peuvent être humidifiés.
- Ne jamais utiliser le produit si la section située dans sa partie supérieure ou inférieure avec cartes de circuits imprimés électroniques à l'intérieur est ouverte (couvercle de cartes de circuits imprimés électroniques) (1).



Pour les appareils dotés d'une fontaine à eau

- La pression de l'eau froide à l'entrée ne doit pas excéder 90 psi (6.2 bar). Si votre pression d'eau dépasse 80 psi (5,5 bar), utilisez une soupape de limitation de pression sur votre réseau de conduite. Si vous ne savez pas comment vérifiez la pression de l'eau, demandez l'assistance d'un plombier professionnel.
- S'il existe un risque d'effet coup de bélier sur votre installation, utilisez systématiquement un équipement de protection contre l'effet coup de bélier sur celle-ci. Consultez des plombiers professionnels si vous n'êtes pas sûr de la présence de cet effet sur votre installation.
- Ne l'installez pas sur l'entrée d'eau chaude. Prenez des précautions contre le risque de congélation des tuyaux. L'intervalle de fonctionnement de la température des eaux doit être de 33 F (0,6°C) au moins et de 100 F (38 C) au plus.

- Utilisez uniquement de l'eau potable.

Sécurité enfants

- Si la porte a un verrouillage, la clé doit rester hors de portée des enfants.
- Les enfants doivent être surveillés et empêchés de s'amuser avec le produit.

Conformité avec la réglementation DEEE et mise au rebut des déchets

Ce produit ne contient pas de matériaux dangereux et interdits décrits dans la « Règlementation sur le contrôle des déchets d'équipements électriques et électroniques » publié par le Ministère de l'Environnement et de l'Urbanisme. Conforme avec la réglementation DEEE.



Le présent produit a été fabriqué avec des pièces et du matériel de qualité supérieure susceptibles d'être réutilisés et adaptés au recyclage. Par conséquent, nous vous conseillons de ne pas le mettre au rebut aux côtés des ordures ménagères à la fin de sa durée de vie. Au contraire, rendez-vous dans un point de collecte pour le recyclage de tout matériel électrique et électronique. Veuillez vous rapprocher des autorités de votre localité pour plus d'informations concernant le point de collecte le plus proche. Aidez-nous à protéger l'environnement et les ressources naturelles en recyclant les produits usagés. Pour la sécurité des enfants, coupez le câble d'alimentation et le

mécanisme de verrouillage de la porte, le cas échéant. Ce faisant, vous rendez l'appareil inopérant avant sa mise au rebut.

Informations relatives à l'emballage

Les matériaux d'emballage de cet appareil sont fabriqués à partir de matériaux recyclables, conformément à nos Réglementations Nationales en Environnement. Ne mélangez pas les matériaux d'emballage avec les déchets domestiques ou d'autres déchets. Amenez-les aux points de collecte des matériaux d'emballage, désignés par les autorités locales.

N'oubliez pas...

Pour la préservation de la nature et de notre santé, il est indispensable de recycler les matières.

Si vous voulez contribuer au recyclage des matériaux d'emballage, vous pouvez vous renseigner auprès d'organisations environnementales ou de l'autorité locale proche de votre domicile.

Avertissement HC

Si le système de refroidissement de votre appareil contient R600a :

Ce gaz est inflammable. Par conséquent, veuillez prendre garde à ne pas endommager le système de refroidissement et les tuyauteries lors de son utilisation ou de son transport. En cas de dommages, éloignez votre produit de toute source potentielle de flammes susceptible de provoquer l'incendie de l'appareil. De même, placez le produit dans une pièce aérée.

Ne tenez pas compte de cet avertissement si le système de refroidissement de votre appareil contient R134a.

Le type de gaz utilisé dans l'appareil est mentionné sur la plaque signalétique située sur la paroi gauche de l'intérieur du réfrigérateur.

Ne jetez jamais l'appareil au feu pour vous en débarrasser.

Mesures d'économie d'énergie

- Ne laissez pas les portes du réfrigérateur ouvertes pendant une durée prolongée.
- N'introduisez pas de denrées ou de boissons chaudes dans le réfrigérateur.
- Ne surchargez pas le réfrigérateur pour ne pas obstruer pas la circulation d'air à l'intérieur.
- N'installez pas le réfrigérateur à la lumière directe du soleil ou près d'appareil émettant de la chaleur tels qu'un four, un lave-vaisselle ou un radiateur. Maintenez une distance d'au moins 30 cm entre votre réfrigérateur et toute source de chaleur, et à une distance de 5cm d'un four électrique.
- Veillez à conserver vos denrées dans des récipients fermés.
- Pour les produits équipés d'un compartiment congélateur : vous pouvez conserver une quantité maximale d'aliments dans le congélateur quand vous enlevez l'étagère ou le tiroir du congélateur. La consommation d'énergie précisée pour votre réfrigérateur a été déterminée en enlevant l'étagère ou le

tiroir du congélateur et avec la charge maximale. Il n'y a aucun risque à utiliser une étagère ou un tiroir en fonction des formes et tailles des denrées à congeler.

- La décongélation des aliments dans le compartiment réfrigérateur permet de faire des économies d'énergie et de préserver la qualité des aliments.

3 Installation

AVERTISSEMENT:

Dans l'hypothèse ou l'information contenue dans ce manuel n'a pas été prise en compte par l'utilisateur, le fabricant ne sera aucunement responsable en cas de problèmes.

Éléments à prendre en considération lors du déplacement de votre réfrigérateur

1. Votre réfrigérateur doit être débranché. Avant le transport de votre réfrigérateur, vous devez le vider et le nettoyer. Avant d'emballer votre réfrigérateur, vous devez fixer ses étagères, bac, accessoires, etc, avec du ruban adhésif afin de les protéger contre les chocs.

1. L'emballage doit être solidement attaché avec du ruban adhésif épais ou avec un cordage solide. La réglementation en matière de transport et de marquage de l'emballage doit être strictement respectée.

2. L'emballage et les matériaux de protection d'emballage doivent être conservés pour les éventuels transports ou déplacements à venir.

Avant de mettre votre réfrigérateur en marche

Vérifiez les points suivants avant de commencer à utiliser votre réfrigérateur

1. Fixez les câles en plastique tel qu'indiqué sur le schéma ci-dessous. Les câles en plastique servent à maintenir une distance permettant la circulation de l'air entre le réfrigérateur et le mur. (Cette image n'est donnée qu'à titre indicatif ; elle n'est pas identique à votre produit.)

2. Vous pouvez installer les 2 cales en plastique comme illustré dans le schéma. Les cales en plastique maintiendront la distance nécessaire entre votre Congélateur / réfrigérateur et le mur pour permettre une bonne circulation de l'air. (Le schéma présenté est fourni à titre indicatif et peut ne pas correspondre exactement avec votre produit.)

3. Nettoyez l'intérieur du réfrigérateur tel qu'indiqué dans la section « Entretien et nettoyage ».

4. Insérez la prise du réfrigérateur dans la prise murale. Lorsque la porte du réfrigérateur est ouverte, la lampe interne du réfrigérateur s'éclaire.

5. Lorsque le compresseur commence à fonctionner, il émettra un son. Le liquide et les gaz intégrés au système du réfrigérateur peuvent également faire du bruit, que le compresseur soit en marche ou non. Ceci est tout à fait normal.

6. Les parties antérieures du réfrigérateur peuvent chauffer. Ce phénomène est normal. Ces zones doivent en principe être chaudes pour éviter tout risque de condensation.

Branchement électrique

Branchez votre réfrigérateur à une prise électrique protégée par un fusible ayant une capacité appropriée.

Important :

- Le branchement doit être conforme aux normes en vigueur sur le territoire national.
- La fiche du câble d'alimentation doit être facilement accessible après installation.

- La sécurité électrique du réfrigérateur n'est assurée que si le système de mise à la terre de votre domicile est conforme aux normes en vigueur.
- La tension indiquée sur l'étiquette située sur la paroi gauche interne de votre produit doit correspondre à celle fournie par votre réseau électrique.
- **Les rallonges et prises multivoies ne doivent pas être utilisés pour brancher l'appareil.**

AVERTISSEMENT:

Un câble d'alimentation endommagé doit être remplacé par un électricien qualifié.

AVERTISSEMENT:

L'appareil ne doit pas être mis en service avant d'être réparé ! Cette précaution permet d'éviter tout risque de choc électrique !

Mise au rebut de l'emballage

Les matériaux d'emballage peuvent être dangereux pour les enfants. Tenez les matériaux d'emballage hors de portée des enfants ou jetez-les conformément aux consignes établies par les autorités locales en matière de déchets. Ne les jetez pas avec les déchets domestiques, déposez-les dans les centres de collecte désignés par les autorités locales.

L'emballage de votre appareil est produit à partir de matériaux recyclables.

Mise au rebut de votre ancien réfrigérateur

Débarrassez-vous de votre ancien réfrigérateur sans nuire à l'environnement.

- Vous pouvez consulter le service après-vente agréé ou le centre chargé de la mise au rebut dans votre municipalité pour en savoir plus sur la mise au rebut de votre produit.

Avant de procéder à la mise au rebut de votre machine, coupez la prise électrique et, le cas échéant, tout verrouillage susceptible de se trouver sur la porte. Rendez-les inopérants afin de ne pas exposer les enfants à d'éventuels dangers.

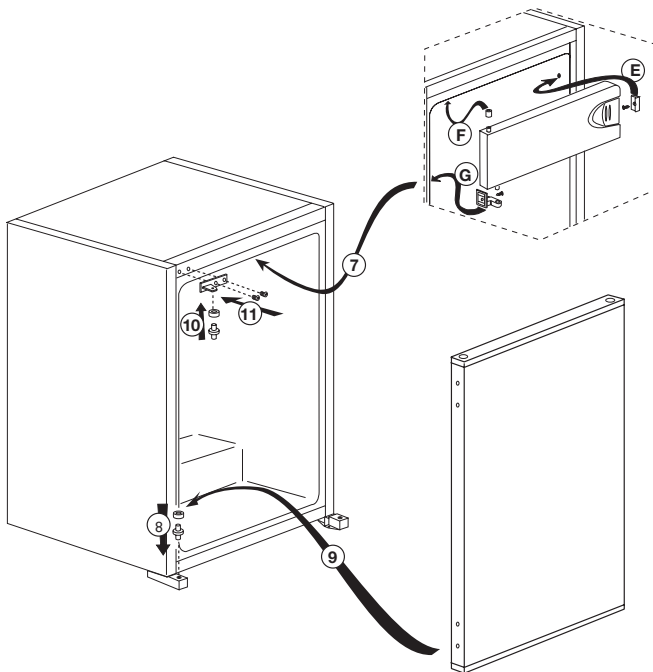
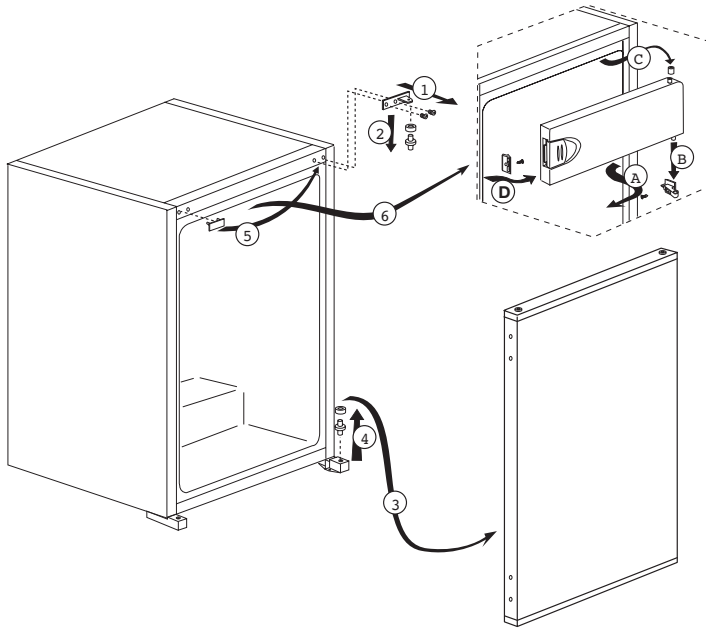
Disposition et Installation

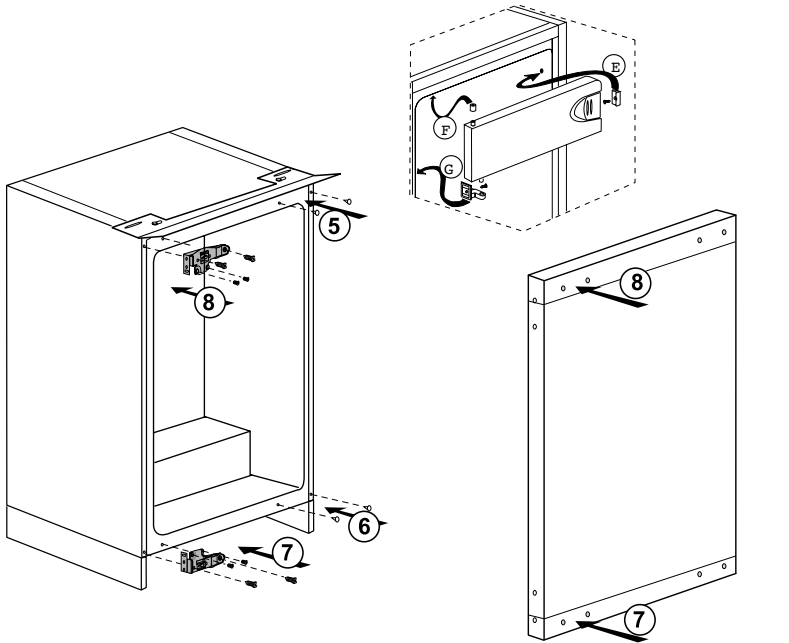
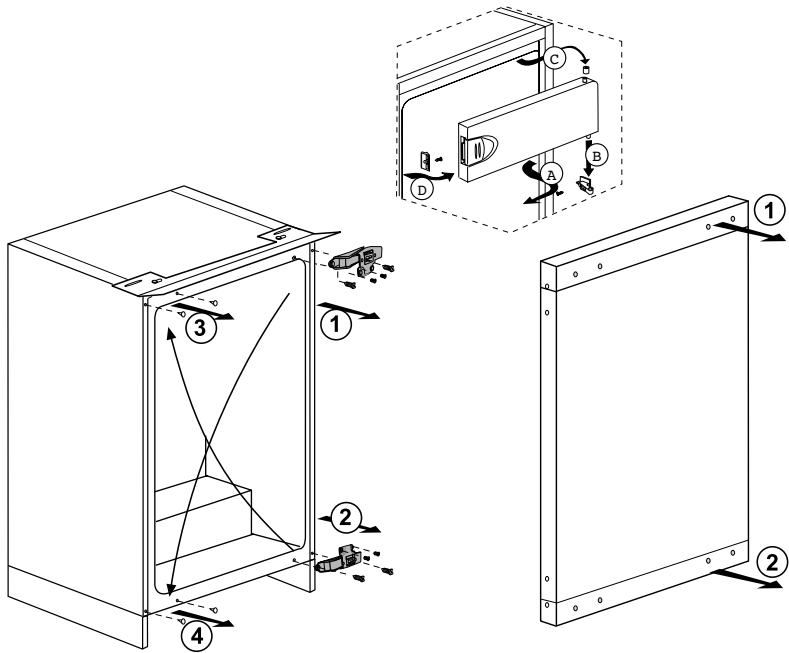
⚠ AVERTISSEMENT:

Si la porte d'entrée de la pièce où sera installé le réfrigérateur n'est pas assez large pour laisser passer le réfrigérateur, appelez le service après-vente qui retirera les portes du réfrigérateur et le fera entrer latéralement dans la pièce.

1. Installez le réfrigérateur dans un emplacement qui permette une utilisation pratique.
2. Maintenez le réfrigérateur éloigné de toutes sources de chaleur, des endroits humides et de la lumière directe du soleil.
3. Une ventilation d'air autour du réfrigérateur doit être aménagée pour obtenir un fonctionnement efficace. Si le réfrigérateur est placé dans un enfoncement du mur, il doit y avoir un espace d'au moins 5 cm avec le plafond et d'au moins 5 cm avec le mur. Ne placez pas l'appareil sur des revêtements tels qu'un tapis ou de la moquette.
4. Placez le réfrigérateur sur une surface plane afin d'éviter les à-coups.

Réversibilité des portes



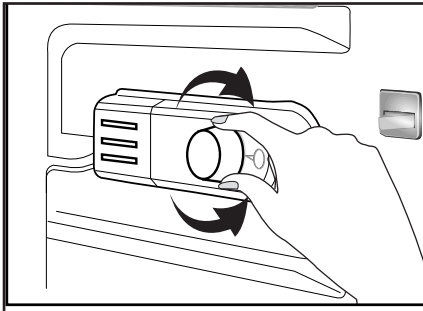


4 Préparation

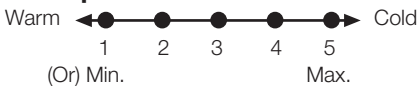
- i** Votre réfrigérateur doit être installé à au moins 30 cm des sources de chaleur telles que les plaques de cuisson, les fours, appareils de chauffage ou cuisinières, et à au moins 5 cm des fours électriques. De même, il ne doit pas être exposé à la lumière directe du soleil.
- i** La température ambiante de la pièce où vous installez le réfrigérateur doit être d'au moins 10°C. Faire fonctionner l'appareil sous des températures inférieures n'est pas recommandé et pourrait nuire à son efficacité.
- i** Veuillez vous assurer que l'intérieur de votre appareil est soigneusement nettoyé.
- i** Si deux réfrigérateurs sont installés côte à côte, ils doivent être séparés par au moins 2 cm.
- i** Lorsque vous faites fonctionner le réfrigérateur pour la première fois, assurez-vous de suivre les instructions suivantes pendant les six premières heures.
 - La porte ne doit pas être ouverte fréquemment.
 - Le réfrigérateur doit être mis en marche à vide, sans denrées à l'intérieur.
 - Ne débranchez pas le réfrigérateur. Si une panne de courant se produit, veuillez vous reporter aux avertissements dans la section « Solutions recommandées aux problèmes ».
- i** L'emballage et les matériaux de protection d'emballage doivent être conservés pour les éventuels transports ou déplacements à venir.

5 Utilisation du réfrigérateur

Bouton de réglage du thermostat



La température de fonctionnement est réglée à l'aide de la commande de température.



1 = Réglage de réfrigération le plus faible (Réglage le plus chaud)

5 = Réglage de réfrigération le plus fort (Réglage le plus froid)

(Ou)

Min. = Réglage de réfrigération le plus faible

(Réglage le plus chaud)

Min. = Réglage de réfrigération le plus fort

(Réglage le plus froid)

La température médiane à l'intérieur du réfrigérateur doit être proche de +5 °C.

Veillez choisir le réglage en fonction de la température désirée.

Vous remarquerez qu'il y a plusieurs températures différentes dans la zone de réfrigération.

La zone la plus froide est située directement au-dessous du bac à légumes.

La température intérieure est également fonction de la température ambiante, la fréquence d'ouverture de la porte et la quantité de denrées stockées à l'intérieur.

Si la porte est ouverte fréquemment, la température intérieure monte.

Pour cette raison, il est recommandé de refermer la porte aussitôt que possible après utilisation.

La température intérieure de votre réfrigérateur change pour les raisons suivantes:

- Températures saisonnières,
- Ouverture fréquente de la porte et porte laissée ouverte pendant de longues périodes,
- Denrées introduites dans le réfrigérateur sans réduction à la température ambiante.
- Emplacement du réfrigérateur dans la pièce (par ex. exposition à la lumière directe du soleil)
- Vous pouvez régler les différentes températures intérieures dues à de telles raisons en utilisant le thermostat. Les numéros entourant le bouton du thermostat indiquent le niveau de refroidissement.
- Si la température ambiante est supérieure à 32°C, réglez le bouton du thermostat à la position maximale.
- Si la température ambiante est inférieure à 25°C, réglez le bouton du thermostat à la position minimale..

Réfrigération

Conservation des denrées

Le compartiment réfrigérateur est destiné à la conservation à court terme d'aliments frais et de boissons.

Congélation


Congeler les denrées

Le compartiment de congélation porte ce symbole .

Vous pouvez utiliser cet appareil pour congeler des denrées fraîches ainsi que pour stocker des denrées surgelées.

Veillez vous référer aux recommandations indiquées sur l'emballage de votre aliment.

Conservation des denrées surgelées

Le compartiment des denrées congelées porte le symbole .

Le compartiment des denrées congelées est destiné au stockage de denrées surgelées. La recommandation de conservation, indiquée sur l'emballage des aliments, doit toujours être respectée.

Décongélation

A) Compartiment réfrigérateur

Le compartiment réfrigérateur se dégivre automatiquement. De l'eau s'écoule et une couche de givre pouvant atteindre 7-8 mm peut se former sur la paroi arrière interne du compartiment du réfrigérateur pendant le processus de refroidissement. Cette formation est normale, provoquée par le système de refroidissement. La formation de givre peut être supprimée par le dégivrage automatique qui s'active régulièrement grâce au système de dégivrage de la paroi arrière. L'utilisateur n'a pas besoin d'éliminer le givre ou les gouttes d'eau manuellement.

L'eau générée par le dégivrage s'écoule dans la rainure de collecte de l'eau et passe dans l'évaporateur par le tuyau de vidange où elle s'évapore.

Vérifiez régulièrement le tuyau de vidange pour vous assurer qu'il n'est pas obstrué et débouchez-le en introduisant un bâton dans le trou si nécessaire.

Le compartiment du surgélateur ne réalise pas de dégivrage automatique pour empêcher la détérioration des denrées congelées.

B) Compartiment congélateur

Le dégivrage est très simple et sans encombre grâce au bac spécial de récupération de l'eau de dégivrage.

Dégivrez deux fois par an ou lorsque la couche de givre atteint environ 7 mm (1/4"). Pour procéder au dégivrage, déconnectez l'appareil et débranchez la prise d'alimentation.

Emballer les denrées dans plusieurs couches de papier journal et stockez-les dans un endroit frais (réfrigérateur ou cellier par exemple).

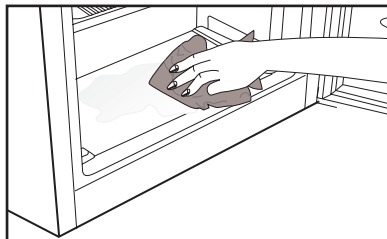
Des récipients d'eau chaude peuvent être placés avec précaution dans le congélateur pour accélérer le dégivrage.

N'utilisez pas d'objets pointus ou tranchants tels que couteaux ou fourchettes pour enlever le givre.

N'utilisez jamais de sèche-cheveux, radiateurs électriques ou autres appareils électriques similaires pour dégivrer.

Epongez l'eau de dégivrage située au fond du compartiment congélateur. Une fois le dégivrage terminé, séchez soigneusement l'intérieur.

Branchez l'appareil à la prise murale et rétablissez l'alimentation électrique.



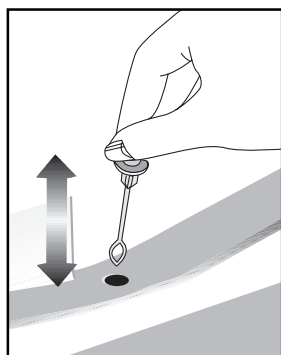
Interruption du produit

Si la position « 0 » se trouve sur votre thermostat :

- Votre appareil cessera de fonctionner lorsque vous mettrez le bouton du thermostat à la position « 0 » (zéro). Votre appareil ne démarrera pas à moins que vous mettiez le bouton du thermostat sur la position « 1 » ou sur l'une des autres positions.

Si la position « min » se trouve sur votre thermostat :

- Débranchez votre appareil pour l'arrêter.



6 Entretien et nettoyage

⚠ N'utilisez jamais d'essence, de benzène ou de matériaux similaires pour le nettoyage.

⚠ Nous vous recommandons de débrancher l'appareil avant de procéder au nettoyage.

ℹ N'utilisez jamais d'ustensiles tranchants, savon, produit de nettoyage domestique, détergent et cirage pour le nettoyage.

ℹ Pour des appareils qui ne sont pas de la marque No Frost, des gouttes d'eau et une couche de givre pouvant atteindre la largeur d'un doigt se forment sur la paroi arrière du compartiment réfrigérateur. Ne les nettoyez pas et évitez d'y utiliser de l'huile ou des produits similaires.

ℹ Utilisez uniquement des tissus en microfibres légèrement mouillés pour nettoyer la surface externe de l'appareil. Les éponges et autres tissus de nettoyage sont susceptibles de rayer la surface.

ℹ Utilisez de l'eau tiède pour nettoyer la carrosserie du congélateur / réfrigérateur et séchez-la soigneusement à l'aide d'un chiffon.

ℹ Utilisez un chiffon humide imbibé d'une solution composée d'une cuillère à café de bicarbonate de soude pour un demi litre d'eau pour nettoyer l'intérieur et séchez soigneusement.

⚠ Prenez soin de ne pas faire couler d'eau dans le logement de la lampe et dans d'autres éléments électriques.

⚠ En cas de non utilisation de votre congélateur / réfrigérateur pendant une période prolongée, débranchez-le

câble d'alimentation, sortez toutes les denrées, nettoyez-le et laissez la porte entrouverte.

ℹ Inspectez les joints de porte régulièrement pour vérifier qu'ils sont propres et qu'il n'y a pas de résidus de nourriture.

ℹ Pour retirer les balconnets de portes, sortez tout son contenu puis poussez simplement le balconnet vers le haut à partir de la base.

ℹ Ne jamais utiliser des produits nettoyants ou de l'eau contenant du chlore pour le nettoyage des surfaces externes et des pièces chromées du produit. Le chlore entraîne la corrosion de ces surfaces métalliques.

ℹ Évitez d'utiliser des objets tranchants ou abrasifs, du savon, des produits ménagers de nettoyage, des détergents, de l'essence, du benzène, de la cire, ect. ; autrement, les marques sur les pièces en plastique pourraient s'effacer et les pièces elles-mêmes pourraient présenter des déformations. Utilisez de l'eau tiède et un torchon doux pour nettoyer et sécher.

Protection des surfaces en plastique.

- Ne placez pas d'huiles ou de plats huileux dans le congélateur / réfrigérateur dans des récipients non fermés, car les graisses peuvent endommager les surfaces en plastique du congélateur / réfrigérateur. Si vous versez ou éclaboussez de l'huile sur les surfaces en plastique, nettoyez et lavez les parties souillées avec de l'eau chaude immédiatement.

7 Dépannage

Veillez vérifier la liste suivante avant d'appeler le service après-vente. Cela peut vous faire économiser du temps et de l'argent. Cette liste regroupe les problèmes les plus fréquents ne provenant pas d'un défaut de fabrication ou d'utilisation du matériel. Il se peut que certaines des fonctions décrites ne soient pas présentes sur votre produit.

Le réfrigérateur ne fonctionne pas.

- La fiche n'est pas insérée correctement dans la prise. >>>Insérez correctement la fiche dans la prise.
- Est-ce que le fusible ou le fusible principal a sauté ? >>>Vérifiez le fusible.

Condensation sur la paroi intérieure du compartiment réfrigérateur. (MULTIZONE, COOL CONTROL et FLEXI ZONE).

- La porte a été ouverte souvent. >>>Évitez d'ouvrir et de fermer trop fréquemment la porte du réfrigérateur.
- L'environnement est très humide. >>>N'installez pas votre réfrigérateur dans des endroits très humides.
- La nourriture contenant du liquide est conservée dans des récipients ouverts. >>>Ne conservez pas de la nourriture contenant du liquide dans des récipients ouverts.
- La porte du réfrigérateur est laissée entrouverte. >>>Fermez la porte du réfrigérateur.
- Le thermostat est réglé à un niveau très froid. >>>Réglez le thermostat à un niveau adapté.

Le compresseur ne fonctionne pas.

- Le dispositif de protection thermique du compresseur sautera en cas de coupures soudaines du courant ou de débranchement intempestif, en effet la pression du liquide réfrigérant du système de refroidissement ne sera pas équilibrée. Le réfrigérateur recommencera à fonctionner normalement après 6 minutes environ. Veuillez contacter le service après-vente si le réfrigérateur ne redémarre pas après cette période.

- Le réfrigérateur est en mode dégivrage. >>>Cela est normal pour un réfrigérateur à dégivrage semi-automatique. Le cycle de dégivrage se déclenche régulièrement.

- Le réfrigérateur n'est pas branché à la prise. >>>Assurez-vous que la prise est branchée dans la prise murale.

- Les réglages de température ne sont pas effectués correctement. >>>Sélectionnez la température appropriée.

- Il y a une panne de courant. >>>Le réfrigérateur recommence à fonctionner normalement après le retour du courant.

Le niveau sonore augmente lorsque le réfrigérateur est en marche.

- Les caractéristiques de performance du réfrigérateur peuvent changer en raison des variations de la température ambiante. Cela est normal et n'est pas un défaut.

Le réfrigérateur fonctionne fréquemment ou pendant de longues périodes.

- Votre nouveau réfrigérateur est peut-être plus large que l'ancien. Les grands réfrigérateurs fonctionnent plus longtemps.
- La température de la pièce est probablement élevée. >>> Il est normal que l'appareil fonctionne plus longtemps quand la température ambiante est élevée.
- Le réfrigérateur pourrait y avoir été branché tout récemment ou pourrait avoir été chargé de denrées alimentaires. >>> Quand le réfrigérateur a été branché ou récemment rempli avec de la nourriture, il met plus de temps à atteindre la température réglée. Ce phénomène est normal.
- D'importantes quantités de denrées chaudes ont peut-être été introduites dans le réfrigérateur récemment. >>> Ne mettez pas de nourriture chaude dans le réfrigérateur.
- Les portes ont peut-être été ouvertes fréquemment ou laissées entrouvertes pendant une durée prolongée. >>> L'air chaud qui entre dans l'appareil oblige le réfrigérateur à travailler sur de plus longues périodes. N'ouvrez pas les portes fréquemment.
- La porte du réfrigérateur est probablement entrouverte. >>> Vérifiez que les portes sont bien fermées.
- Le réfrigérateur est réglé à une température très basse. >>> Réglez la température du réfrigérateur à un degré supérieur et attendez que la température réglée soit atteinte.
- Le joint de la porte du réfrigérateur ou du congélateur peut être sale, déchiré, rompu ou mal en place. >>> Nettoyez ou remplacez le joint. Tout joint endommagé/déchiré fait fonctionner le réfrigérateur pendant une période de temps plus longue afin de conserver la température actuelle.

La température du congélateur est très basse alors que celle du réfrigérateur est correcte.

- La température du congélateur est réglée à une température très basse. >>> Réglez la température du congélateur à un degré supérieur et vérifiez.

La température du réfrigérateur est très basse alors que celle du congélateur est correcte.

- La température du réfrigérateur est réglée à une température très basse. >>> Réglez la température du réfrigérateur à un degré supérieur et vérifiez.

Les denrées conservées dans les tiroirs du compartiment de réfrigération sont congelées.

- La température du réfrigérateur est réglée à une température très basse. >>> Réglez la température du réfrigérateur à un niveau inférieur et vérifiez.

La température dans le réfrigérateur ou le congélateur est très élevée.

- La température du réfrigérateur est réglée à une température très basse. >>> Le réglage du compartiment réfrigérant a un effet sur la température du congélateur. Changez les températures du réfrigérateur ou du congélateur et attendez que les compartiments atteignent une température suffisante.
- Les portes ont peut-être été ouvertes fréquemment ou laissées entrouvertes pendant une durée prolongée. >>> N'ouvrez pas les portes fréquemment.
- La porte est entrouverte. >>> Refermez complètement la porte.
- Le réfrigérateur a été récemment branché ou rempli avec de la nourriture. >>> Ce phénomène est normal. Lorsque le réfrigérateur vient d'être branché ou récemment rempli avec de la nourriture, il met plus de temps à atteindre la température réglée.
- D'importantes quantités de denrées chaudes ont peut-être été introduites dans le réfrigérateur récemment. >>> Ne mettez pas de nourriture chaude dans le réfrigérateur.

Vibrations ou bruits

- Le sol n'est pas plat ou stable. >>>Si le réfrigérateur balance lorsqu'il est déplacé lentement, équilibrez-le en ajustant sa base. Assurez-vous que le sol est plat et suffisamment solide pour supporter le poids et le volume de l'appareil.
- Les éléments placés sur le réfrigérateur peuvent faire du bruit. >>>Enlevez les éléments du haut du réfrigérateur.

Le réfrigérateur produit des bruits semblables à de l'eau qui coule, à la pulvérisation d'un liquide, etc.

- Des écoulements de gaz et de liquides surviennent dans le réfrigérateur, de par ses principes de fonctionnement. Cela est normal et n'est pas un défaut.

Un sifflement sort du réfrigérateur.

- Les ventilateurs sont utilisés pour refroidir le réfrigérateur. Cela est normal et n'est pas un défaut.

Condensation sur les parois intérieures du réfrigérateur.

- Un temps chaud et humide augmente la formation de givre et de condensation. Cela est normal et n'est pas un défaut.
- Les portes ont peut être été ouvertes fréquemment ou laissées entrouvertes pendant une durée prolongée. >>>N'ouvrez pas les portes fréquemment. Refermez-les si elles sont ouvertes.
- La porte est entrouverte. >>>Refermez complètement la porte.

De l'humidité est présente à l'extérieur ou entre les portes du réfrigérateur.

- Il y a peut être de l'humidité dans l'air; ceci est tout à fait normal par un temps humide. Lorsque l'humidité est faible, la condensation disparaîtra.

Présence d'une mauvaise odeur dans le réfrigérateur.

- Il n'y a pas de nettoyage régulier effectué. >>>Nettoyez régulièrement l'intérieur du réfrigérateur avec une éponge, de l'eau tiède ou du carbonate dissout dans l'eau.
- Certains récipients ou matériaux d'emballage peuvent provoquer ces odeurs. >>>Utilisez un autre récipient ou changez de marque de matériau d'emballage.
- Les denrées sont mises au réfrigérateur dans des récipients sans couvercle. >>>Conservez les aliments liquides dans des récipients fermés. Les micro-organismes issus de récipients non fermés peuvent dégager des odeurs désagréables.
- Enlevez les aliments périmés et pourris du réfrigérateur.

La porte ne se ferme pas.

- Des récipients empêchent la fermeture de la porte. >>>Retirez les emballages qui obstruent la porte.
- Le réfrigérateur n'est pas complètement vertical sur le sol. >>>Ajustez les pieds du réfrigérateur pour l'équilibrer.
- Le sol n'est pas plat ou solide. >>>Assurez-vous que le sol est plat et qu'il peut supporter le poids du réfrigérateur.

Les bacs à légumes sont coincés.

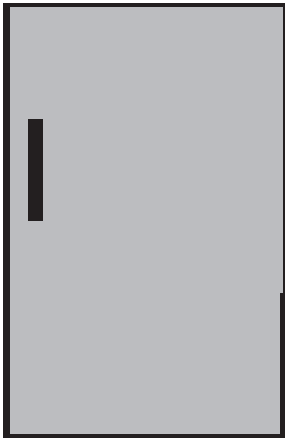
- Il se peut que les denrées touchent le plafond du tiroir. >>>Disposez à nouveau les denrées dans le tiroir.

Si La Surface De L'appareil Est Chaude.

- Vous pouvez observer une élévation de la température entre les deux portes, sur les panneaux latéraux et au niveau de la grille arrière pendant le fonctionnement de l'appareil. Ce phénomène est normal et ne nécessite aucune opération d'entretien !

Koelkast

Gebruiksaanwijzing



NL |

beko

Gelieve eerst deze gebruiksaanwijzing te lezen!

Beste klant,

We hopen dat uw product, dat in een moderne fabriek werd geproduceerd en onder de meest nauwkeurige procedures voor kwaliteitscontrole werd gecontroleerd, u doeltreffend van dienst zal zijn.

Wij bevelen daarom aan dat u eerst zorgvuldig de volledige gebruiksaanwijzing van uw product leest voordat u het product gaat gebruiken. Bewaar de handleiding voor toekomstige raadpleging.




Deze gebruiksaanwijzing

- Helpt u uw toestel snel en veilig te gebruiken.
- Lees de gebruiksaanwijzing voordat u het product installeert en gebruikt.
- Volg de instructies, in het bijzonder die met betrekking tot veiligheid.
- Bewaar de gebruiksaanwijzing op een eenvoudig toegankelijke plaats aangezien u deze later nodig kunt hebben.
- Daarnaast dient u ook de andere documenten die bij uw product worden geleverd te lezen.

Let erop dat deze gebruiksaanwijzing ook voor andere modellen kan gelden.

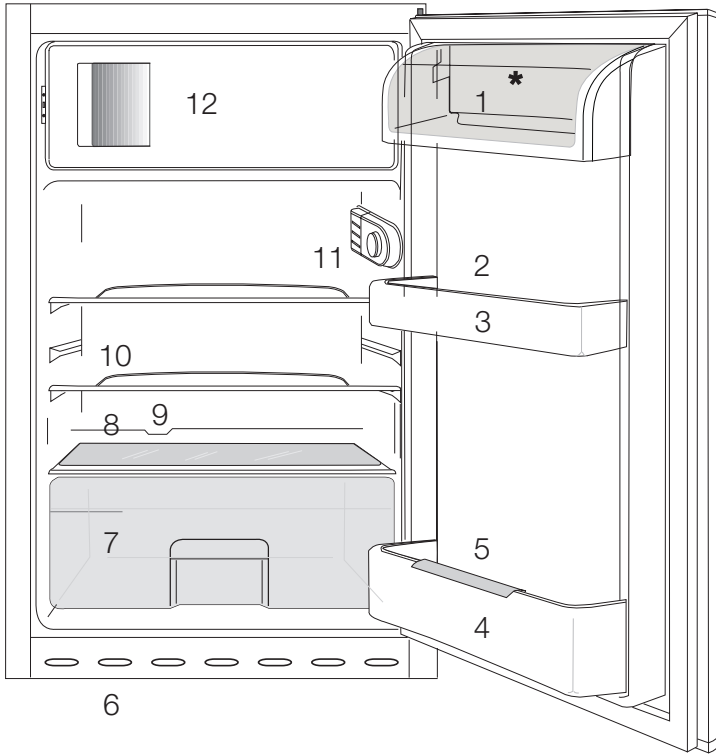
Symbolen en hun beschrijvingen

Deze instructiehandleiding bevat de volgende symbolen:

-  Belangrijke informatie of nuttige gebruikstips.
-  Waarschuwing tegen gevaarlijke omstandigheden voor leven en eigendommen.
-  Waarschuwing tegen elektrische spanning.

1 Uw koelkast	4	6 Onderhoud en reiniging	19
2 Belangrijke Veiligheids- en omgevingsinstructies	5	Bescherming van de plastic oppervlakken	19
3 Installatie	10	7 Fouten opsporen	20
Punten waarop gelet moet worden bij de verplaatsing van een koelkast	10		
Voordat u de koelkast inschakelt,	10		
Elektrische aansluiting	10		
Afvoeren van de verpakking.....	11		
Afvoeren van uw oude koelkast	11		
Plaatsing en installatie.....	11		
Het vervangen van de lamp	12		
De deuren omkeren	13		
4 Voorbereiding	15		
5 Gebruik van uw koelkast	16		
Knop om thermostaat in te stellen ...	16		
Koelen.....	16		
Diepvriezen.....	17		
Ontdooien	17		
Uw product uitschakelen	18		

1 Uw koelkast



1. Boter- & kaasdeel
2. Eierrekken
3. Deurschappen
4. Flessenrek
5. Flessengrijper
6. Luchtrooster
7. Groentelade
8. Deksel groentelade
9. Afvoerkanaal dooiwater - afvoerpijp
10. Verplaatsbare schappen
11. Binnenlampje & Thermostaatknop
12. a.) Invriesvak & ijsblokjesvorm (voor ******* modellen) b) Vak voor diepvriesproducten & ijsblokjesvorm (voor ****** modellen)

*** Is mogelijk niet beschikbaar in alle modellen**

! De afbeeldingen in deze gebruiksaanwijzing zijn schematisch en hoeven niet exact met uw product overeen te komen. Wanneer onderdelen niet tot het product behoren dat u hebt gekocht, gelden deze voor andere modellen.

2 Belangrijke Veiligheids- en omgevingsinstructies

Deze sectie bevat de noodzakelijke veiligheidsinstructies om risico op letsels of materiële schade te vermijden. Het niet naleven van deze instructies resulteert in de nietigverklaring van alle mogelijke productgaranties.

Bedoeld gebruik

WAARSCHUWING:

Indien het apparaat in zijn beschermingskap is of geplaatst is, zorg ervoor dat de ventilatieopeningen niet gedekt zijn.

WAARSCHUWING:

Gebruik geen mechanische apparaten of andere apparaten behalve apparaten welke door de producent worden geadviseerd om het proces voor ontdooien te versnellen.

WAARSCHUWING:

Beschadig koelmiddelstroom circuit niet.

WAARSCHUWING:

Gebruik geen elektrische apparaten welke niet aanbevolen worden door de producent binnen de opslag ruimten voor voedsel.

WAARSCHUWING:

Bewaar geen explosieve stoffen, zoals spuitbussen met een ontvlambaar drijfgas, in dit apparaat.

Dit apparaat is ontworpen om huiselijk gebruik of bij onderstaande soortgelijke gevallen gebruikt te worden.

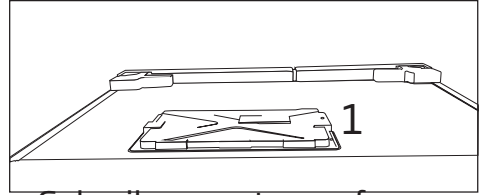
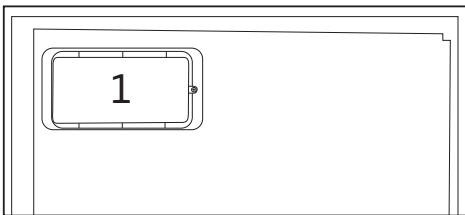
- Voor het gebruik in personeel keukens bij winkels, bureaus en overige werkplaatsen;
- Voor het gebruik door klanten bij boerderijen en hotels, motels en overige plaatsen waar klanten kunnen verblijven;

1.1. Algemene veiligheid

- Dit product mag niet worden gebruikt door personen met fysieke, gevoelsmatige en mentale handicaps, door personen met onvoldoende kennis en ervaring of door kinderen. Het apparaat mag enkel worden gebruikt door dergelijke personen als ze onder toezicht en instructies staan van een persoon die verantwoordelijk is voor hun veiligheid. Kinderen mogen niet met dit apparaat spelen.
- Als er een defect optreedt, moet u de stekker verwijderen uit het stopcontact.
- Nadat u de stekker hebt verwijderd, moet u 5 minuten wachten voor u hem opnieuw in het stopcontact voert.



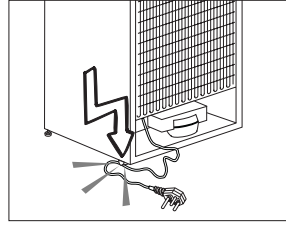
- Verwijder de stekker van het product uit het stopcontact als u het niet gebruikt.
- U mag het product niet aanraken met natte handen! Trek niet aan het netsnoer maar houd het steeds vast bij de stekker.
- U mag de stekker van de koelkast niet invoeren als het stopcontact los zit.
- Verwijder de stekker uit het stopcontact tijdens de installatie, onderhoudswerken, reiniging en reparaties.
- Als u het product gedurende een lange periode niet gebruikt, moet u de stekker van het product uit het stopcontact verwijderen en alle etenswaren verwijderen.
- Gebruik het product niet als het compartiment met circuitkaarten op het bovenste deel achteraan van het product (elektrische kaart doos deksel) (1) open is.



- Gebruik geen stoom of stoomreinigers om de koelkast te reinigen en het ijs te smelten. Stoom kan in contact komen met de geëlektrificeerde zones en kortsluitingen of elektrische schokken veroorzaken!
- U mag het product niet reinigen door er water op te verstuiven of te gieten! Gevaar van elektrische schokken!
- Als er een defect optreedt, mag u het product niet gebruiken want dit kan elektrische schokken veroorzaken. Neem contact op met de geautoriseerde dienst voor u iets doet.
- Voer de stekker in een geaard stopcontact. De aarding moet worden uitgevoerd door een gekwalificeerde elektricien.
- Als het product voorzien is van een LED-type verlichting moet u contact opnemen met de geautoriseerde dienstverlening om het te vervangen als er een probleem optreedt.
- Raak geen bevroren goederen aan met natte handen! Ze kunnen blijven plakken aan uw handen!

- Plaats geen vloeistoffen in flessen en blikjes in het vriesvak. Deze kunnen namelijk barsten!
- Plaats vloeistoffen rechtop nadat u het deksel stevig hebt gesloten.
- U mag geen ontvlambare stoffen in de buurt van het product verstuiven want deze kunnen branden of ontploffen.
- Bewaar geen ontvlambaar materiaal en producten met ontvlambaar gas (sprays, etc.) in de koelkast.
- Plaats geen containers met vloeistof bovenop het product. Water spatten op een geëlektrificeerd onderdeel kan elektrische schokken veroorzaken en fataal aflopen.
- Het product blootstellen aan regen, sneeuw, zonlicht en wind veroorzaakt elektrisch gevaar. Als u het product verplaatst, mag u er niet aan trekken bij het handvat. Het handvat kan los komen.
- Zorg ervoor uw handen of lichaam niet te klemmen in een van de bewegende delen van het product.
- U mag niet stappen of leunen op de deur, laden of gelijkaardige delen van de koelkast. Dit kan er toe leiden dat het product valt en het kan schade veroorzaken aan de onderdelen.

- Let erop het netsnoer niet te klemmen.



1.1.1 HC waarschuwing

Als het product voorzien is van een koelsysteem met R600 gas moet u er op letten het koelsysteem en de leiding niet te beschadigen wanneer u het product gebruikt of verplaatst. Dit gas is ontvlambaar. Als het koelsysteem beschadigd is, moet u het product uit te buurt van brandhaarden houden en de ruimte onmiddellijk ventileren.



Het label links aan de binnenzijde geeft het type gas aan dat in het product wordt gebruikt.

1.1.2 Voor modellen met een waterfontein

- De druk van de koud waterinlaat mag maximum 90psi (6,2 bar) bedragen. Als uw waterdruk hoger is dan 80psi (5,5 bar) moet u een drukbegrenzer gebruiken in uw netwerk. Als u niet weet hoe u uw waterdruk kunt controleren, moet u hulp vragen van een professionele loodgieter.

- Als het risico bestaat op een waterslageffect in uw installatie moet u altijd een waterslag preventie apparatuur installeren. Raadpleeg een professionele loodgieter als u niet zeker bent of er een waterslageffect aanwezig is in uw installatie.
- Installeer deze niet op de warme waterinlaat. Neem de nodige maatregelen tegen het bevriezen van de leidingen. De watertemperatuur bedrijfsinterval moet minimum 33°F (0,6°C) en maximum 100°F (38°C) zijn.
- Gebruik enkel drinkwater.

1.2. Bedoeld gebruik

- Dit product is ontworpen voor huishoudelijk gebruik. Het is niet bedoeld voor commercieel gebruik.
- Het product mag enkel worden gebruikt om etenswaren en dranken op te slaan.
- U mag geen gevoelige producten bewaren die een gecontroleerde temperatuur vereisen (vaccins, warmtegevoelige medicatie, medische producten, etc.) in de koelkast.
- De fabrikant aanvaardt geen verantwoordelijkheid voor eventuele schade als het gevolg van misbruik of een incorrecte hantering.

- Originele reserveonderdelen worden geleverd gedurende een periode van 10 jaar vanaf de product aankoopdatum.

1.3. Kinderveiligheid

- Houd de verpakking uit de buurt van kinderen.
- Laat kinderen nooit spelen met het product.
- Als de deur van het product voorzien is van een slot moet u ze uit de buurt van kinderen houden.

1.4. Conformiteit met de WEEE-richtlijn en Verwijdering van afvalproducten

Dit product is conform met de EU WEEE-richtlijn (2012/19/EU). Dit product draagt een classificatiesymbool voor afval elektrische en elektronische apparatuur (WEEE).



Dit product werd vervaardigd met kwalitatief hoogstaande onderdelen en materialen die opnieuw kunnen worden gebruikt en die geschikt zijn voor recycling. U mag het afvalproduct niet verwijderen met het normale huishoudelijke en andere afval aan het einde van de levensduur. Breng het naar een inzamelcentrum voor de recycling van elektrische en elektronische apparatuur. Raadpleeg uw lokale autoriteiten voor meer informatie over deze inzamelcentra.


1.5. Conformiteit met de RoHS-richtlijn

- Dit product is conform met de EU WEEE-richtlijn (2011/65/EU). Het bevat geen schadelijk en verboden materiaal zoals gespecificeerd in de Richtlijn.

1.6. Informatie op de verpakking

- Het verpakkingsmateriaal van het product is gefabriceerd van recyclebaar materiaal in overeenstemming met onze Nationale Milieuwetgeving. U mag het verpakkingsmateriaal niet samen met het huishoudelijke of ander afval weggooien. Breng het naar de inzamelpunten voor verpakkingsmateriaal aangewezen door de lokale autoriteiten.

3 Installatie

 Indien de informatie die in deze gebruikershandleiding wordt gegeven, niet wordt opgevolgd, is de fabrikant in geen geval aansprakelijk.

Punten waarop gelet moet worden bij de verplaatsing van een koelkast

1. Uw koelkast moet van de stroom zijn afgesloten. Voor het vervoer van uw koelkast moet deze leeg zijn gemaakt en gereinigd.
2. Voordat deze wordt verpakt, moeten schappen, accessoires, groentelade, enz. in de koelkast worden vastgemaakt met tape en beschermd zijn tegen stoten. De verpakking dient met dikke tape of geschikt touw worden ingebonden en de vervoerregels op de verpakking dienen strikt te worden nageleefd.
3. Originele verpakking en schuimmaterialen moeten worden bewaard voor toekomstig transport of verhuizen.

Voordat u de koelkast inschakelt,

Controleer het volgende voordat u uw koelkast gaat gebruiken:

1. Bevestig 2 plastic wiggen zoals hieronder afgebeeld. Plastic wiggen zijn bedoeld om afstand te houden, om zo een luchtcirculatie te behouden tussen uw koelkast en de muur. (De afbeelding is slechts een schets en is niet gelijk aan uw product.)
2. Maak de binnenkant van de koelkast schoon, zoals aanbevolen in het hoofdstuk "Onderhoud en reiniging".
3. Sluit de stekker van de koelkast aan op het stopcontact. Als de koelkastdeur wordt geopend, gaat de binnenverlichting van de koelkast aan.

4. Als de compressor begint te draaien, komt er een geluid vrij. De vloeistof en de gassen die zich in het koelsysteem bevinden, zouden ook wat lawaai kunnen veroorzaken zelfs wanneer de compressor niet werkt. Dit is normaal.


5. De buitenkant van de koelkast kan warm aanvoelen. Dit is normaal. Deze oppervlakken zijn bedoeld om warm te worden om condensvorming te voorkomen.

Elektrische aansluiting

Sluit uw apparaat aan op een geaard stopcontact, beschermd door een zekering met de juiste capaciteit.

Belangrijk:

- De aansluiting moet in naleving zijn met nationale voorschriften.
- De stroomstekker moet na installatie eenvoudig bereikbaar zijn.
- Elektrische veiligheid van uw koelkast wordt alleen gegarandeerd wanneer het aardingsstelsel in uw huis aan de normen voldoet.
- Het voltage op het etiket dat zich links binnenin uw product bevindt moet gelijk zijn aan uw netstroomvoltage.
- **Verlengkabels en verdeelstekkers mogen voor aansluiting niet worden gebruikt.**

 Een beschadigde stroomkabel moet door een gekwalificeerd elektricien worden vervangen.

 Het product mag niet in werking worden gesteld voordat het gerepareerd is! Er bestaat anders gevaar op een elektrische schok!

Afvoeren van de verpakking

De verpakkingsmaterialen kunnen gevaarlijk zijn voor kinderen. Houd het verpakkingsmateriaal buiten bereik van kinderen of voer deze af conform afvalinstructies zoals bepaald door uw lokale autoriteiten. Gooi het niet weg met het normale huishoudafval, maar maak gebruik van ophaalplaatsen voor verpakkingen die door lokale autoriteiten zijn aangewezen.

De verpakking van uw koelkast is vervaardigd uit herbruikbare materialen.


Afvoeren van uw oude koelkast

Voer uw oude koelkast af zonder het milieu op enige wijze te schaden.

- U kunt uw bevoegde dealer of het afvalcentrum van uw gemeente raadplegen over het afvoeren van uw koelkast.

Voordat u uw koelkast afvoert, snijd de elektrische stekker af. Indien het apparaat is uitgevoerd met deursluitingen, dit slot dan onbruikbaar maken om kinderen tegen gevaar te beschermen.

Plaatsing en installatie

 Als de toegangsdeur van de kamer waarin de koelkast wordt geïnstalleerd niet breed genoeg is voor de koelkast om erdoor te passen, bel dan de bevoegde dienst zodat deze de deuren van uw koelkast kan verwijderen en de koelkast zijdelings door de deur kan.

1. Installeer uw koelkast op een plaats waar deze gemakkelijk kan worden gebruikt.
2. Houd uw koelkast uit de buurt van warmtebronnen, vochtige plaatsen en direct zonlicht.

3. Er moet geschikte luchtventilatie rond uw koelkast zijn om een efficiënte werking te verkrijgen. Als de koelkast in een uitsparing in de muur wordt geplaatst, moet er minstens 5 cm afstand zijn ten opzichte van het plafond en minstens 5 cm ten opzichte van de muur. Plaats uw product niet op materialen zoals een kleden of vloerbedekking.

4. Plaats uw koelkast op een vlak vloerooppervlak om schokken te vermijden.

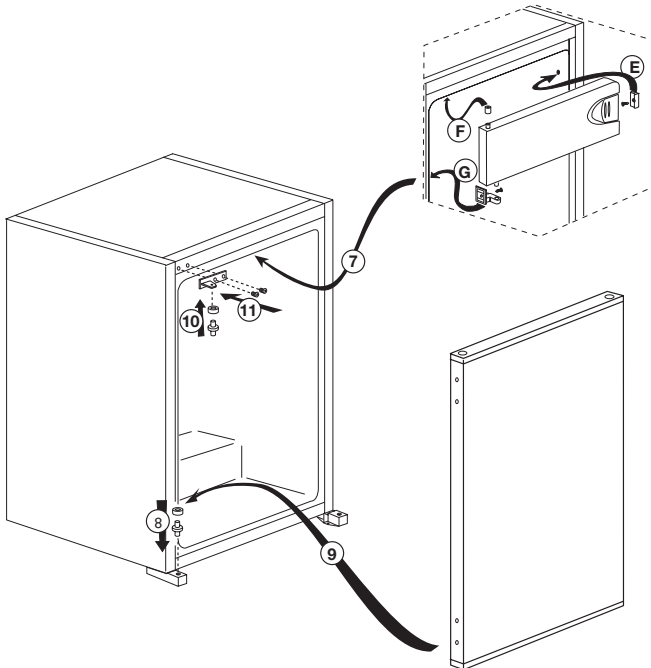
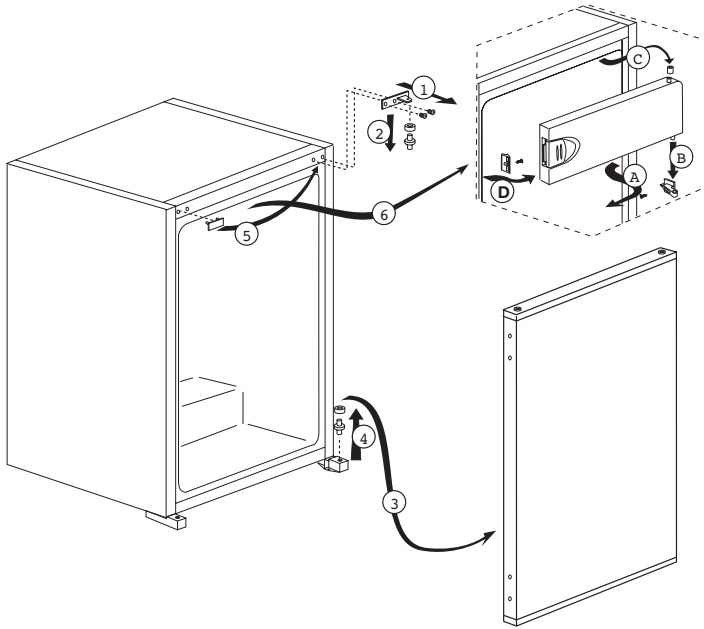
Het vervangen van de lamp

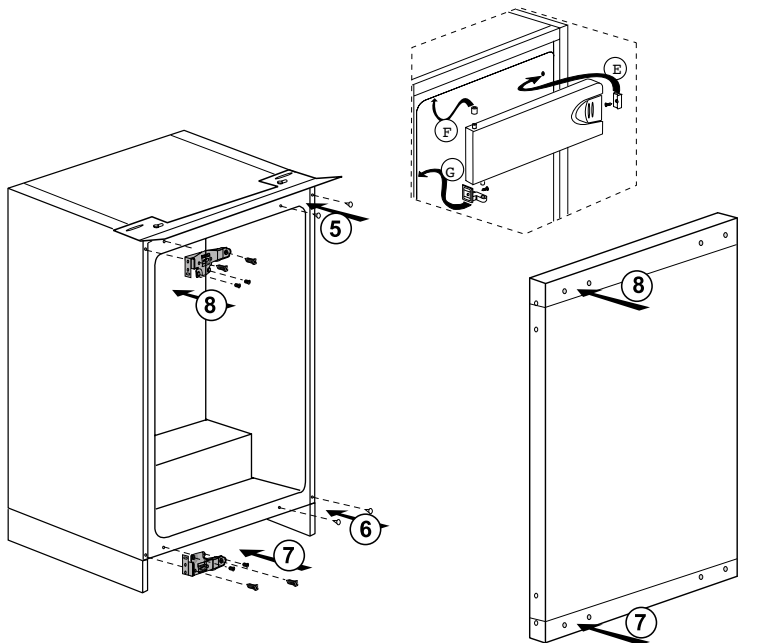
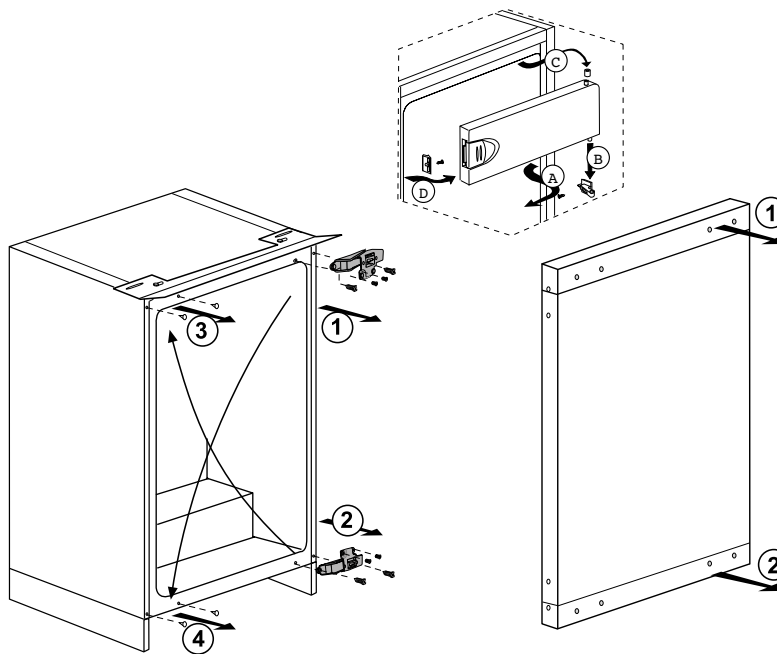
Om de lamp/led voor de binnenverlichting van uw koelkast te vervangen, bel uw bevoegde onderhoudsdienst.

De lamp of lampen voorzien in dit apparaat mogen niet worden gebruikt voor de verlichting van huishoudelijke ruimten. Het beoogde gebruik van deze lamp is de gebruiker te helpen etenswaren op veilige en comfortabele wijze in de koelkast/diepvriezer te plaatsen.

De lampen die in dit apparaat worden gebruikt moeten bestendig zijn tegen extreme fysieke omstandigheden, zoals temperaturen beneden de -20°C .

De deuren omkeren



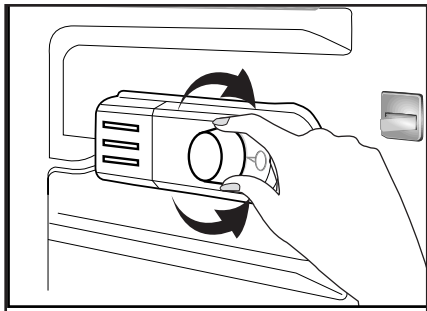


4 Voorbereiding

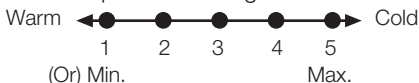
- i** Uw vriezer moet worden geïnstalleerd op minstens 30 cm afstand van warmtebronnen zoals kookplaten, centrale verwarming en kachels en op minstens 5 cm afstand van elektrische ovens. De koelkast mag niet in direct zonlicht worden geplaatst.
- i** De omgevingstemperatuur van de kamer waarin u de vriezer installeert dient minstens 10°C te zijn. In verband met efficiëntie wordt gebruik van uw vriezer in koudere omstandigheden niet aanbevolen.
- i** Controleer of de binnenzijde van uw koelkast volledig schoon is.
- i** Indien u twee producten naast elkaar wilt zetten, bijv. een koelkast en een vriezer dient u een decoratiekit te gebruiken welke een kleine mat en een decoratieonderdeel bevat. De mat wordt aan de zijkant van één van de producten aangebracht om een ruimte tussen de producten te creëren. Het decoratieonderdeel wordt tussen de twee producten aangebracht om het gat tussen de producten te verhullen (Afb. 2). De decoratiekit is geen deel van het product maar kan als een accessoire geleverd worden.
- i** Wanneer u uw vriezer voor de eerste keer in gebruik neemt, gelieve tijdens de eerste zes uur de volgende instructies in acht te nemen.
 - De deur niet regelmatig openen.
 - Koelkast moet in bedrijf gesteld worden zonder levensmiddelen.
 - De stekker van de vriezer niet uittrekken. Indien zich een stroomstoring voordoet buiten uw macht, zie de waarschuwingen in het deel "Aanbevolen oplossingen voor problemen".
- i** Originele verpakking en schuimmaterialen moeten worden bewaard voor toekomstig transport of verhuizen.

5 Gebruik van uw koelkast

Knop om thermostaat in te stellen



De werkingstemperatuur wordt geregeld via de temperatuursturing.



1 = Laagste koelinstelling (Warmste instelling)

5 = Hoogste koelinstelling (Koudste instelling)

(Of)

Min. = Laagste koelstand

(Warmste instelling)

Max. = Hoogste koelstand

(Koudste instelling)

De gemiddelde koelkasttemperatuur moet ongeveer +5 °C bedragen.

Kies een stand afhankelijk van de gewenste temperatuur.

Merk op dat er in het koelgebied verschillende temperaturen zijn.

Het koudste gedeelte bevindt zich onmiddellijk boven het groentevak.

De binnentemperatuur hangt ook af van de omgevingstemperatuur, hoe vaak de deur geopend wordt en de hoeveelheid voedsel die in de koelkast bewaard wordt.

Wanneer u de deur vaak opent, stijgt de temperatuur in de koelkast.

Het is daarom raadzaam om de deur na elk gebruik zo snel mogelijk te sluiten.

De binnentemperatuur van uw koelkast verandert om de volgende redenen;

- Seizoentemperaturen,
- Frequent openen van de deur of de deur lang open laten staan,
- Etenswaaren die in de koelkast wordt geplaatst zonder dat deze tot kamertemperatuur zijn afgekoeld.
- De plaats van de koelkast in de kamer (bijv. blootgesteld aan zonlicht)
- Met de thermostaat kunt u een als gevolg van deze redenen variërende binnentemperatuur aanpassen. De cijfers rond de thermostaatknop geven de mate van koeling aan.
- Wanneer de omgevingstemperatuur hoger is dan 32°C, draait u de thermostaatknop in de maximumpositie.
- Wanneer de omgevingstemperatuur lager is dan 25°C, draait u de thermostaatknop naar de minimum positie.


Koelen

Bewaren van voedsel

Het koelkastgedeelte dient voor het bewaren van verse etenswaaren en dranken.

Diepvriezen

Voedsel invriezen

Het diepvriesgedeelte is met dit symbool  gemarkeerd.

U kunt het apparaat gebruiken om verse etenswaren in te vriezen of om diepvriesproducten te bewaren.

Raadpleeg de aanbevelingen op de verpakking van de etenswaren.

Bewaren van bevroren etenswaren

Het vak voor diepvriesproducten is gemarkeerd met dit  symbool.

Het vak voor diepvriesproducten is geschikt voor het bewaren van bevroren levensmiddelen. De aanbeveling voor bewaring, zoals vermeld op de verpakking van de diepvriesproducten, moet altijd in acht worden genomen.

Ontdooien

A) Koelkastgedeelte

Het koelkastgedeelte ontdooit volledig automatisch. Waterdruppels en een ijslaag van tot 7-8 mm kunnen zich voordoen op de binnenste achterwand van het koelkastgedeelte terwijl uw koelkast aan het koelen is. Zulke ijsvorming is normaal als een resultaat van het koelsysteem. De ijsvorming wordt ontdooid via een automatische ontdooiing met bepaalde tussentijden dankzij het automatische ontdooisysteem van de achterwand. De gebruiker moet de ijsvorming niet wegschrappen of de waterdruppels niet verwijderen.

Het water dat afkomstig is van het ontdooien loopt weg via de wateropvanggroef en stroomt in de verdampers via de afvoerleiding en verdampt daar zelf.

Controleer regelmatig om te zien of de afvoerleiding niet verstopt is en ontstop met behulp van een stokje in de opening indien nodig.

Het diepvriesgedeelte voert geen automatische ontdooiing uit om het rotten van voedsel te voorkomen.

B) Diepvriesgedeelte

Ontdooien is zeer eenvoudig en zonder vuiligheid, dankzij een speciale verzamelbak voor het dooiwater.

Ontdooi twee keer per jaar of wanneer er zich een ijslaag van ongeveer 7 mm (¼") heeft gevormd.

Om de ontdooiprocedure te beginnen, schakel het apparaat uit aan het stopcontact en trek de hoofdstekker uit.

Alle etenswaren moeten in een dikke laag kranten worden verpakt en in een koele ruimte worden bewaard (bijv. koelkast of provisiekamer).

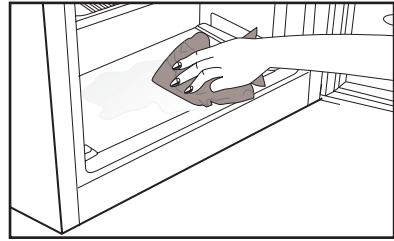
Om het ontdooiproces te versnellen kunt u voorzichtig een bakje warm water in het vriesvak plaatsen.

Gebruik geen puntige of scherpe voorwerpen, zoals messen of vorken, om het ijs te verwijderen.

Gebruik nooit haardrogers, elektrische verwarmingstoestellen of andere gelijkaardige elektrische toestellen om te ontdooien.

Spons het verzamelde dooiwater op de bodem van het diepvriesgedeelte op. Na het ontdooien de binnenkant goed droog maken.

Steek de stekker in het stopcontact en schakel de stroomtoevoer aan.



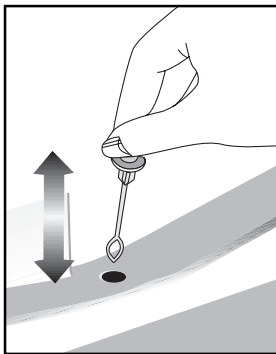
Uw product uitschakelen

Als uw thermostaat is uitgerust met de stand "0":

- Uw product stopt met werken wanneer u de thermostaatknop naar de stand "0" (nul) draait. Uw product zal pas weer starten wanneer u de thermostaatknop naar de stand "1" of naar een van de andere standen draait.

Als uw thermostaat is uitgerust met de stand "min":

- Trek de stekker van uw product uit het stopcontact om het uit te schakelen.



6 Onderhoud en reiniging

- ⚠ Gebruik nooit benzine, benzeen of gelijksoortige substanties voor het reinigingswerk.
- ⚠ Wij bevelen aan dat u de stekker uit het toestel trekt voordat u met reinigen begint.
- ⚠ Gebruik nooit scherpe voorwerpen, zeep, huishoudproducten, afwasmiddel of boenwas om te poetsen.
- ⓘ In producten die geen No Frost hebben ontstaan er op de achterwand van het koelvak waterdruppels en een vingerdikke ijslaag. Maak het niet schoon; doe er nooit olie op soortgelijke middelen op.
- ⓘ Gebruik uitsluitend licht vochtige microvezeldoeken om de buitenkant van het product schoon te maken. Sponzen en andere soorten schoonmaakdoeken kunnen het oppervlak krassen.
- ⓘ Gebruik lauwwarm water om de kast van uw koelkast schoon te maken en wrijf deze droog.
- ⓘ Gebruik een vochtige doek, uitgewrongen in een oplossing van één koffielepel natriumbicarbonaat voor 50 cl water, om de binnenkant schoon te maken en wrijf vervolgens droog.
- ⚠ Zorg ervoor dat er geen water in de lamp en andere elektrische onderdelen binnensijpelt.
- ⚠ Als uw koelkast voor een lange periode niet zal worden gebruikt, trek dan de stroomkabel uit, verwijder alle etenswaren, maak de koelkast schoon en laat de deur op een kier staan.
- ⓘ Kijk de deurgrendels regelmatig na om u ervan te overtuigen dat ze schoon en vrij van etensresten zijn.
- ⚠ Om deurroosters te verwijderen, verwijder de inhoud en druk het deurrooster vervolgens eenvoudigweg naar boven vanaf de basis.
- ⚠ Gebruik nooit reinigingsmiddelen of water dat chloor bevat om de buitenkant en de verchroomde onderdelen van het product te reinigen. Chloor veroorzaakt corrosie op dergelijke metalen oppervlakken.
- ⚠ Gebruik geen scherpe en schurende werktuigen of zeep, huishoudelijke reinigingsmiddelen, oplosmiddelen, benzine, benzeen, was, etc. Zo niet zullen stempels op plastic onderdelen loskomen en kunnen vervormingen optreden. Gebruik warm water en een zachte doek om te reinigen en te drogen.

Bescherming van de plastic oppervlakken

- ⓘ Plaats geen vloeibare olie of in olie bereide maaltijden in uw koelkast in onafgedichte bakjes. Deze kunnen de plastic oppervlakken van uw koelkast beschadigen. Mocht u olie morsen op de kunststof oppervlakken, reinig dit deel van het oppervlak dan direct met warm water en spoel af.

7 Fouten opsporen

Controleer de volgende punten voordat u de onderhoudsdienst belt. Dit kan u tijd en geld besparen. Deze lijst omvat regelmatige klachten die niet voortkomen uit defect vakmanschap of materiaalgebruik. Het is mogelijk dat bepaalde functies die hier beschreven zijn niet tot uw product behoren.

De koelkast werkt niet.

- De stekker zit niet op de juiste manier in het stopcontact. >>>Zorg ervoor dat de stekker veilig in het stopcontact wordt geplaatst.
- De zekering van het stopcontact waarop de koelkast is aangesloten of de hoofdzekering is gesprongen. >>>Controleer de zekering.

Condensvorming langs de wand van het koelgedeelte (MULTI ZONE, COOL CONTROL en FLEXI ZONE).

- Omgeving is erg koud. >>>Plaats de koelkast niet in een ruimte waar de temperatuur lager kan worden dan 10°C.
- De deur van de koelkast werd regelmatig open gemaakt. >>>Open en sluit de deur van de koelkast niet te veel.
- Omgeving is erg vochtig. >>>Plaats de koelkast niet in een vochtige ruimte.
- Voedsel met veel vloeistoffen wordt in open bakjes bewaard. >>>Bewaar dit soort voedsel in gesloten bakjes.
- De deur van de koelkast staat op een kier. >>>Sluit de deur van de koelkast.
- De thermostaat staat veel te laag. >>>Zet de thermostaat hoger.

De compressor draait niet

- Thermische bescherming van de compressor kan springen gedurende plotselinge stroomuitval of afsluiting van de stroomtoevoer wanneer de druk van het koelmiddel in het koelsysteem van de koelkast niet in balans is. De koelkast gaat na ongeveer 6 minuten draaien. Neem contact op met de onderhoudsdienst wanneer uw koelkast na deze periode niet start.
- De koelkast zit in een ontthooicyclus. >>>Dit is normaal voor een volledig automatisch ontthooiende koelkast. Ontthooicyclus vindt periodiek plaats.
- De stekker van de koelkast steekt niet in het stopcontact. >>>Zorg ervoor dat de stekker in het stopcontact zit.
- De temperatuuraanpassingen werden niet correct uitgevoerd. >>>Kiest een geschikte temperatuurwaarde.
- Er is een stroomstoring. >>>Zodra de storing is verholpen keert de koelkast terug naar normale werking.

Het werkingsgeluid neemt toe wanneer de koelkast werkt.

- De werking van de koelkast kan veranderen als gevolg van wijzigingen in de omgevingstemperatuur. Dit is normaal en geen defect.

De koelkast werkt frequent of gedurende lange tijd.

- Uw nieuwe product is mogelijk breder dan het vorige. Grote koelkasten werken langer.
- De omgevingstemperatuur kan hoog zijn. >>>Het is normaal dat het product langer draait in een warme omgeving.
- De stekker van de koelkast kan onlangs ingestoken zijn of de koelkast kan zijn volgeladen met etenswaren. >>>Wanneer de koelkast pas is ingeschakeld of kortgeleden werd gevuld, duurt het langer om de ingestelde temperatuur te bereiken. Dit is normaal.
- Grote hoeveelheden warme levensmiddelen kunnen recentelijk in de koelkast zijn geplaatst. >>>Plaats geen warm voedsel in de koelkast.
- Deuren werden regelmatig geopend of hebben enige tijd op een kier gestaan. >>>De warme lucht die in de koelkast is binnengekomen maakt dat de koelkast langer werkt. Open de deuren niet te dikwijls.
- De deur van het vries- of koelcompartiment is mogelijk op een kier blijven staan. >>>Controleer of de deuren goed gesloten zijn.
- De koelkast is zeer koud ingesteld. >>>Stel de koelkasttemperatuur hoger en wacht tot de temperatuur wordt bereikt.
- Deurafdichting van de koelkast of diepvriezer kan vuil, versleten, gebroken of niet goed geplaatst zijn. >>>Maak de afdichting schoon of vervang deze. Een beschadigde/gebroke n afdichting maakt dat de koelkast langer moet werken om de huidige temperatuur te handhaven.

Diepvriestemperatuur is erg laag terwijl de koelkasttemperatuur voldoende is.

- De diepvriestemperatuur is zeer koud ingesteld. >>>Stel de diepvriezertemperatuur hoger in en controleer.

Koelkasttemperatuur is erg laag terwijl de diepvriestemperatuur voldoende is.

- De temperatuur van het koelvak is zeer koud ingesteld. >>>Stel de koelkasttemperatuur hoger in en controleer.

Etenswaren die in laden van het koelgedeelte worden bewaard, bevroren.

- De temperatuur van het koelvak is zeer hoog ingesteld. >>>Stel de koelkasttemperatuur lager in en controleer.

Temperatuur in de koelkast of diepvriezer is zeer hoog.

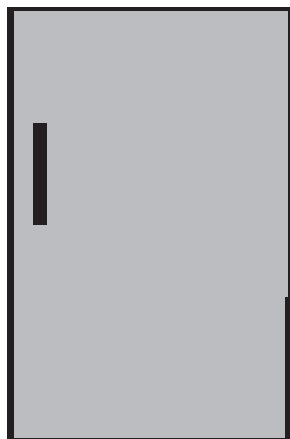
- De temperatuur van het koelvak is zeer hoog ingesteld. >>>De temperatuur van het koelvak heeft invloed op de temperatuur van de diepvriezer. Wijzig de temperatuur van de koelkast of de diepvriezer en wacht tot de betreffende compartimenten de gewenste temperatuur bereikt.
- Deuren werden regelmatig geopend of hebben enige tijd op een kier gestaan. >>>Open de deuren niet te vaak.
- De deur staat op een kier. >>>Sluit de deur volledig.
- De koelkast is pas ingeschakeld of werd recent geladen met voedsel. >>>Dit is normaal. Wanneer de koelkast net is ingeschakeld of kortgeleden werd gevuld, duurt het langer om de ingestelde temperatuur te bereiken.
- Grote hoeveelheden warme levensmiddelen kunnen recentelijk in de koelkast zijn geplaatst. >>>Plaats geen warm voedsel in de koelkast.

<ul style="list-style-type: none"> • Vibratie of geluid. • De vloer is niet gelijk of stabiel. >>> Indien de koelkast schommelt bij enige beweging, moet u de stelvoetjes aanpassen. Zorg dat de vloer vlak en sterk genoeg is om de koelkast te dragen. • De spullen die boven op de koelkast liggen kunnen geluid veroorzaken. >>>Verwijder deze van de bovenzijde van de koelkast. 	<ul style="list-style-type: none"> • Slechte geur binnenin de koelkast. • Ze wordt niet regelmatig schoongemaakt. >>>Maak de binnenkant van de koelkast regelmatig schoon met een spons met lauwwater waarin eventueel wat carbonaat is opgelost. • Sommige bakjes of verpakkingsmaterialen kunnen de geur veroorzaken. >>>Gebruik een ander bakje of ander soort verpakkingsmateriaal. • Er is voedsel in de koelkast geplaatst in een open bakje. >>>Bewaar het voedsel altijd in een gesloten bakje. Micro-organismen die zich verspreiden vanuit containers zonder deksel kunnen onaangename geuren veroorzaken. • Neem vervallen voedingswaren en gemorste gerechten altijd meteen uit de koelkast.
<p>Er komt een geluid van morsende of sprayende vloeistof uit de koelkast.</p>	<p>De deur sluit niet.</p>
<ul style="list-style-type: none"> • Vloeistof- en gasstromen vinden plaats conform de werkingsprincipes van uw koelkast. Dit is normaal en geen defect. 	<ul style="list-style-type: none"> • Voedselpakketjes kunnen er de reden van zijn dat de deur niet sluit. >>>Verplaats de verpakkingen die de deur belemmeren. • De koelkast staat niet volledig waterpas op de vloer. >>>Stel de stelvoetjes bij om de koelkast waterpas te zetten. • De vloer is niet gelijk of stevig. >>>Zorg dat de vloer vlak is en de koelkast kan dragen.
<p>Er komt een fluitend geluid van de koelkast.</p>	<p>Groenteladen zitten vast.</p>
<ul style="list-style-type: none"> • Er worden ventilatoren gebruikt om de koelkast te koelen. Dit is normaal en geen defect. 	<p>Als Het Oppervlak Van Het Product Heet Is.</p>
<p>Condens op de binnenwanden van de koelkast.</p>	<ul style="list-style-type: none"> • De levensmiddelen kunnen de bovenzijde van de lade raken. >>>Herschik de levensmiddelen in de lade. • Tijdens de werking kunnen tussen de twee deuren, de zijpanelen en de achterste grill hoge temperaturen worden waargenomen. Dit is normaal en heeft geen serviceonderhoud!
<ul style="list-style-type: none"> • Met warm en vochtig weer neemt ijs- en condensvorming toe. Dit is normaal en geen defect. • Deuren werden regelmatig geopend of hebben enige tijd op een kier gestaan. >>>Open de deuren niet te vaak. Sluit ze wanneer ze open staan. • De deur staat op een kier. >>>Sluit de deur volledig. 	<p>Vocht aan de buitenkant van de koelkast of tussen de deuren.</p>
<ul style="list-style-type: none"> • De lucht is mogelijk vochtig; dit is vrij normaal bij vochtig weer. Wanneer de vochtigheid minder wordt, zal de condens verdwijnen. 	



Холодильник

Посібник користувача



Холодильник Руководство пользователя

B 1751
B 1750 HCA
B 1750 HCA W

UK | RUS |

beko

Будь ласка, спочатку прочитайте цю інструкцію!

Шановний покупець!




Сподіваємося, що цей товар, виготовлений на сучасних підприємствах і перевірений за допомогою найприскіпливіших процедур контролю, ефективно слугуватиме вам у побуті. Для цього рекомендуємо вам прочитати всю інструкцію до кінця, перш ніж користуватися холодильником, і зберегти її для майбутнього використання у довідкових цілях.

Ця інструкція

- допоможе вам користуватися приладом у швидкий і безпечний спосіб;
 - прочитайте інструкцію, перш ніж встановлювати холодильник і користуватися ним;
 - дотримуйтесь інструкцій, особливо з питань техніки безпеки;
 - зберігайте інструкцію в легкодоступному місці, оскільки вона може знадобитися вам пізніше;
 - крім того, прочитайте також інші документи, що постачаються разом із холодильником.
- Зверніть увагу, що ця інструкція також може бути дійсною для інших моделей.

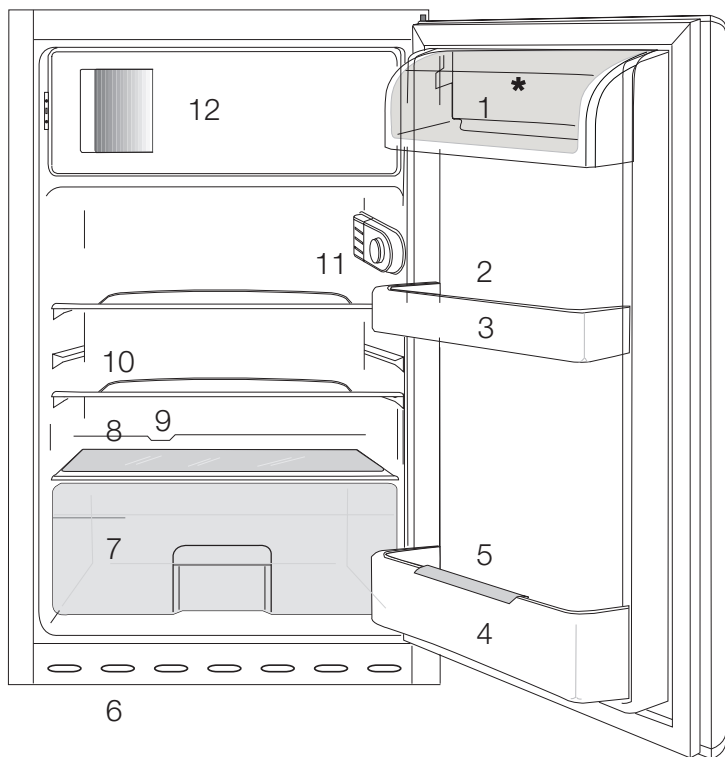
Символи та їхній опис

Ця інструкція містить наступні символи:

-  Важлива інформація або корисні поради з користування.
-  Попередження про небезпечні ситуації для життя та майна.
-  Попередження про електричну напругу.

1 Холодильник	3	4 Підготовка	13
		Перенавішування дверцят	14
2 Важливі вказівки з техніки безпеки	4	5 Користування холодильником	16
Призначення	4	Заморожування	16
Для пристроїв із	8	Заморожування продуктів	16
розподільником води:	8	Приготування кубиків льоду	17
Безпека дітей	8	Зберігання заморожених продуктів	17
Відповідність Директиві щодо		Розморожування приладу	17
відпрацьованого електричного й		Охолодження	18
електронного обладнання (Директива WEEE)		Зберігання продуктів	18
й утилізація відходів	8	Розморожування приладу	18
Відповідність Директиві щодо обмеження		Припинення роботи приладу	18
використанням шкідливих речовин (RoHS) .	9		
Інформація про упаковку	9	6 Догляд та очищення	19
Як заощадити електроенергію	9	Захист пластикових поверхонь	19
3 Установка	11	7 Рекомендації з усунення несправностей	20
Що слід враховувати при транспортуванні			
приладу	11		
Перед увімкненням холодильника	11		
Підключення до електромережі	11		
Замена лампочки	12		
Регулювання ніжок	12		
Утилізація упаковки	12		
Утилізація вашого старого холодильника ..	12		
Розміщення та Установка	12		

1 Холодильник



1. Відділення для молочних продуктів
2. для яєць
3. Door полиці
4. Полка для пляшок Пляшка
5. захоплення
6. висоті передні ніжки
7. Crisper
8. Crisper кришкою
9. талої води колекцію канал - дренажна трубка
10. рухливі полиці
11. Внутрішнє освітлення і ручку термостата
12. а.) Морозильник і лоток для льоду (для моделей)
б.) морозильній камері і лоток для льоду (для моделей)




***Може не бути в наявності в усіх моделях**

І Ілюстрації в даній інструкції є схематичними і можуть відрізнятися від вашої моделі. Якщо до комплектації моделі, яку ви придбали, не входять згадані деталі, вони призначені для інших моделей.


2 Важливі вказівки з техніки безпеки

Ознайомтеся з наведеною нижче інформацією. Ігнорування цієї інформації може призвести до травмування чи пошкодження пристрою. В такому разі гарантія і будь-які зобов'язання виробника стосовно надійної роботи пристрою будуть анульовані. Оригінальні запасні частини будуть постачатися протягом 10 років з моменту придбання виробу.

Призначення

	ПОПЕРЕДЖЕННЯ: Під час зберігання або встановлення приладу вентиляційні отвори повинні бути відкриті.
	ПОПЕРЕДЖЕННЯ: Для того, щоб прискорити процес розморожування не використовуйте механічні та інші предмети, крім пристосувань, рекомендованих виробником.
	ПОПЕРЕДЖЕННЯ: Контур холодоагенту не повинен бути пошкоджений.

ПОПЕРЕДЖЕННЯ

 Не кладіть всередину камери для зберігання продуктів електричні прилади, які не рекомендовані виробником.

Прилад призначений лише для використання в домашніх або нижченаведених умовах:

- на кухнях для персоналу в магазинах, офісах та інших установах;
- на фермах або готелях, в мотелях та інших гостьових будинках для використання клієнтами.
- готелі типу «ліжко та сніданок»;
- підприємства громадського харчування та інші види використання не в роздрібній торгівлі

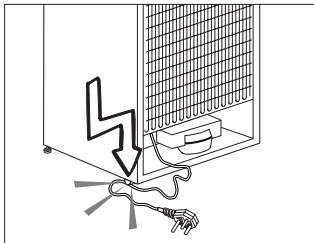
Загальні правила техніки безпеки

- Якщо ви бажаєте утилізувати/ліквідувати пристрій, рекомендуємо звернутися до авторизованої сервісної служби та компетентних органів для отримання необхідної інформації.
- З усіма питаннями та проблемами стосовно холодильника звертайтеся до уповноваженої сервісної служби. Без повідомлення уповноваженої сервісної служби не втручайтеся в роботу холодильника й не дозволяйте робити це іншим.

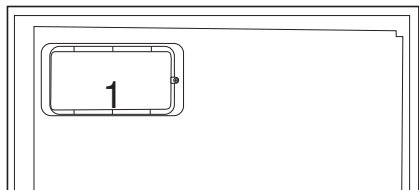
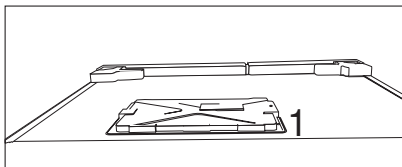
- Для пристроїв з морозильним відділенням: не їжте морозиво та кубики льоду одразу після виймання їх з морозильного відділення! (Це може викликати обмороження ротової порожнини.)
- Для приладів з морозильним відділенням: не ставте рідкі напої у пляшках чи банках до морозильного відділення. Вони можуть лопнути.
- Не торкайтеся руками заморожених продуктів; вони можуть примерзнути до шкіри.
- Перед чисткою чи розморожуванням від'єднуйте холодильник від електромережі.
- Не використовуйте пару та засоби для чищення, які можуть випаруватися, для чищення та розморожування вашого холодильника. У такому випадку пара може скотактувати з електричними частинами та викликати коротке замикання чи удар електричним струмом " to " Не використовуйте пару та засоби для чищення, які можуть випаруватися, для чищення та розморожування вашого холодильника. У такому випадку пара може скотактувати з електричними частинами та викликати коротке замикання чи удар електричним струмом.
- Не використовуйте такі частини холодильника, як дверцята, як підставку чи опору.
- Не використовуйте електричні прилади всередині холодильника.
- Не допускайте пошкодження частин, у яких циркулює хладагент, ріжучими чи свердловальними інструментами. Хладагент може з'явитися із випаровувача, на трубопроводі чи на покриттях і викликати подразнення шкіри чи ураження очей.
- Не закривайте вентиляційні отвори вашого холодильника
- Ремонт електроприладів мають виконувати тільки кваліфіковані фахівці. Ремонт, виконаний недосвідченими особами, може спричинити ризик для користувача.
- У випадку несправностей під час експлуатації чи ремонту вимкніть холодильник, вимкнувши запобіжник чи вийнявши з розетки шнур живлення.
- При від'єднанні від мережі не тягніть за кабель – тільки за штепсель.
- Пляшки з алкогольними напоями мають зберігатися у надійному місці, із закритою кришкою та у вертикальному положенні.

- Суворо заборонено зберігати в холодильнику пляшки з горючими чи вибухонебезпечними речовинами.
- Не застосовуйте механічні пристрої або інші засоби для прискорення розмороження, крім рекомендованих виробником.
- Цей електроприлад не призначений для використання особами (включаючи дітей) зі зниженими фізичними, чутливими або розумовими можливостями або з браком досвіду і знань, якщо вони не перебувають під наглядом або не пройшли інструктаж щодо користування пристроєм від відповідальної за їхню безпеку особи.
- Не використовуйте несправний холодильник. При виникненні запитань звертайтеся до кваліфікованого фахівця.
- Електрична безпека може гарантуватися лише в тому випадку, якщо система заземлення у вашому будинку відповідає стандартам.
- Вплив на пристрій дощу, снігу, сонця чи вітру небезпечний з точки зору електробезпеки.
- Зверніться до сервісної служби, якщо пошкоджено шнур живлення, щоб це не створило небезпеку для вас.
- Не вмикайте холодильник в розетку під час його встановлення. Ризик смертельного випадку чи серйозних ушкоджень дуже високий.
- Цей холодильник призначений лише для зберігання харчових продуктів. Його не слід використовувати з будь-якою іншою метою.
- таблиця з описом технічних специфікацій виробу розташована зліва на внутрішній стінці холодильника.
- Не підключайте холодильник до електронних систем енергозбереження, оскільки це може призвести до несправності виробу.
- Якщо в холодильнику є підсвічування синім світлом, не слід довго дивитися на нього голим оком або через оптичні пристрої.
- У разі відключення холодильників із ручним управлінням від мережі електроживлення зачекайте щонайменше 5 хвилин, перш ніж підключати живлення.
- У випадку продажу виробу цю інструкцію з експлуатації слід передати новому господарю.
- Під'єднуючи холодильник до електромережі, не торкайтеся до штепсельної вилки мокрими руками" to "Під'єднавши холодильник до електромережі, не

торкайтеся до штепсельної вилки вологими руками



- Не підключайте холодильник до погано закріпленої стінної розетки мережі електропостачання.
- Із міркувань безпеки не допускайте потрапляння води безпосередньо на зовнішні або внутрішні частини холодильника.
- Не розбризкуйте поряд із холодильником займісті матеріали, такі як газ пропан, через ризик пожежі та вибуху.
- Не ставте посудини з водою на холодильник, оскільки це може призвести до ураження електричним струмом або пожежі.
- Не перевантажуйте холодильник надмірною кількістю продуктів. Якщо холодильник перевантажено, продукти можуть випасти при відчиненні дверцят і травмувати вас чи пошкодити холодильник. Не кладіть предмети на холодильник, оскільки вони можуть впасти під час відчинення чи зачинення дверцят.
- У холодильнику не можна зберігати речовини, що вимагають певних температурних умов (вакцини, термочутливі медикаменти, наукові матеріали тощо).
- Холодильник слід від'єднати від електромережі, якщо він не буде використовуватися протягом тривалого часу. Можливі несправності шнура живлення можуть призвести до пожежі.
- Холодильник може переміщатися, якщо регульовані ніжки не зафіксовано на підлозі. Фіксація регульованих ніжок на підлозі може запобігти його переміщенню.
- При переміщенні холодильника не тримайте його за ручку, бо вона може зламатися.
- При встановленні холодильника відстань між ним й іншим холодильником чи морозильником має становити щонайменше 8 см. В іншому разі бічні стінки, що прилягають, зволожуватимуться.
- Ніколи не використовуйте цей виріб, якщо верхня або задня кришка відкрита та відкривають доступ до електронних плат (кришки електронних плат) (1).



Для пристроїв із розподільником води:

- Тиск в місці підведення холодної води не повинен перевищувати 90 фунтів на квадратний дюйм (620 kPa). Якщо тиск води перевищує 80 фунтів на квадратний дюйм (550 kPa), встановіть у своїй магістральній мережі клапан обмеження тиску. Якщо ви не знаєте, як перевірити тиск води, зверніться за допомогою професійного сантехніка.
- Якщо у вашій установці існує ризик виникнення гідравлічного удару, обов'язково встановіть захисне обладнання для запобігання ризику виникнення гідравлічного удару. У разі виникнення сумнівів стосовно можливості виникнення гідравлічного удару у вашій установці, зверніться за допомогою до професійних сантехніків.

- Забороняється виконувати встановлення у місці підведення гарячої води. Необхідно вжити запобіжних заходів для запобігання ризику замерзання шлангів. Температура робочої води повинна знаходитися в інтервалі від 33 °F (0,6 °C) до 100 °F (38 °C).
- Використовуйте лише питну воду.

Безпека дітей

- Якщо на дверцятах є замок, тримайте ключ у місці, недосяжному для дітей.
- Слід наглядати за дітьми та не дозволяти їм псувати пристрій.

Відповідність Директиві щодо відпрацьованого електричного й електронного обладнання (Директива WEEE) й утилізація відходів



Цей прилад відповідає вимогам Директиви WEEE (2012/19/EU). Цей виріб позначений символом приналежності до

категорії відходів електричного й електронного обладнання (WEEE).

Цей прилад виготовлений з високоякісних деталей та матеріалів, які підлягають повторному використанню й переробці. Після закінчення терміну експлуатації цей прилад не можна викидати разом зі звичайними побутовими відходами. Його слід здати у відповідний

пункт збору відходів електричного й електронного обладнання як вторинної сировини. Інформацію про місцезнаходження найближчого пункту збору відходів можна отримати в місцевих органах влади.

Відповідність Директиві щодо обмеження використанням шкідливих речовин (RoHS)

Цей прилад відповідає вимогам Директиви RoHS (2011/65/EU). Він не містить шкідливих та інших речовин, використання яких заборонено цією Директивою.

Інформація про упаковку

Упаковка цього виробу виготовлена з матеріалів, які підлягають повторній переробці згідно з національними нормами й правилами щодо охорони довкілля. Ці пакувальні матеріали не можна викидати разом з побутовими чи іншими відходами. Їх слід здати в один з пунктів збору пакувальних матеріалів, визначених місцевими органами влади

Попередження НС

Якщо система охолодження вашого пристрою містить R600a:

Цей газ горючий. Тому будьте уважні, не допускайте пошкодження системи охолодження та труб під час використання і транспортування. У випадку пошкодження пристрою

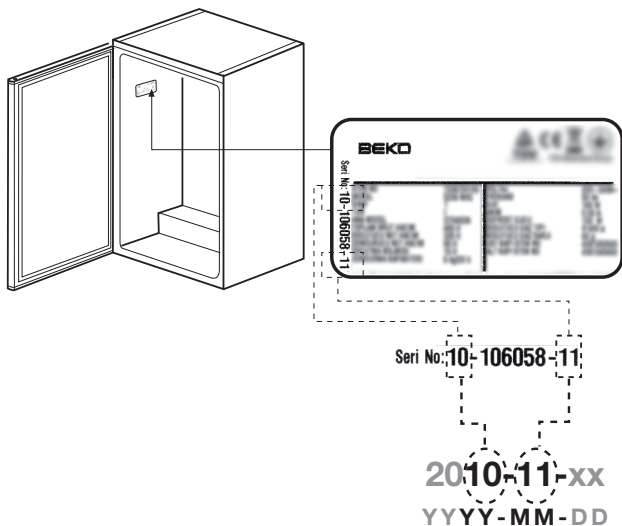
зберігайте його подалі від потенційного джерела займання та провітрюйте приміщення, в якому знаходиться прилад.

Не звертайте уваги на попередження, якщо система охолодження вашого пристрою містить R134a.

Тип газу, що використовується у приладі, наведений у паспортній таблиці, розташованій зліва на внутрішній стінці холодильника

Як заощадити електроенергію

- Не тримайте двері холодильника відчиненими тривалий час.



- Не закладайте до холодильника гарячі продукти чи напої.
- Не зберігайте у холодильнику гарячі напої чи продукти.
- Не встановлюйте холодильник під прямим сонячним промінням чи поблизу джерела тепла, наприклад, плити, посудомийної машини чи радіатора опалення.
- Слідкуйте за тим, щоб продукти зберігалися у закритих контейнерах.
- Для холодильників із морозильним відділенням: у морозильному відділенні холодильника можна зберігати максимальну кількість продуктів, якщо дістати з нього полиці чи скрині. Наведене в технічних характеристиках енергоспоживання холодильника визначено за умови, що полиці чи скрині морозильного відділення вийняті, й у нього завантажена максимально можлива кількість продуктів. Полицю чи скриню можна використовувати відповідно до форми й розміру продуктів для заморожування.
- Розморожування заморожених продуктів у холодильному відділенні забезпечить економію електроенергії та збереження якості продуктів.
- Дата виробництва міститься в серійному номері продукту, що вказаний на етикетці, розташованій на продукті, а саме, перші дві цифри серійного номера позначають рік виробництва, а останні дві - місяць. Наприклад, «10-100001-05» означає, що продукт виготовлений в травні 2010 року.

3 Установка

⚠ Будь ласка, пам'ятайте, що виробник не нестиме відповідальність, якщо не дотримано порад, наведених в інструкції з користування.

Що слід враховувати при транспортуванні приладу

1. Перед будь-яким транспортуванням холодильника має бути спорожнений і вимитий.
2. Перед упакуванням холодильника всі полиці, приналежності, контейнери для фруктів та овочів тощо у вашому холодильнику слід міцно закріпити скотчем для запобігання струсам.
3. Упаковувати холодильник слід за допомогою товстих стрічок і міцних мотузок, а також дотримуватися правил транспортування, надрукованих на упаковці.

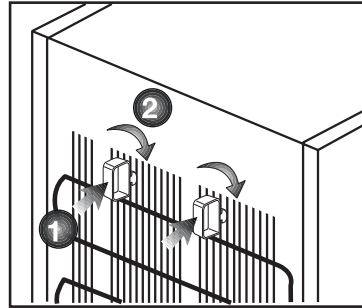
Упевніться в тому, що всередині холодильник старанно вимитий. Повторне використання матеріалів надзвичайно важливе для природи та наших національних ресурсів.

Якщо ви бажаєте посприяти повторному використанню матеріалів упаковки, ви можете отримати більше інформації від органів охорони довкілля або від органів місцевої влади.

Перед увімкненням холодильника

Перш ніж розпочати експлуатацію холодильника, перевірте дотримання таких умов:

1. Усередині холодильника сухо, ніщо не заважає вільній циркуляції повітря позаду приладу.
2. Вставте 2 пластмасові розпірки для вентиляції на задню стінку, як показано на наступному малюнку. Пластмасові розпірки забезпечать потрібну відстань між холодильником і стіною для циркуляції повітря.
3. Вимийте внутрішню частину холодильника, як рекомендовано у розділі "Обслуговування й чищення".



4. Під'єднайте холодильник до розетки електромережі. При відчиненні дверцята холодильника вмикається внутрішнє освітлення холодильного відділення.
5. Коли компресор почне працювати, ви почуєте шум. Рідина та гази всередині холодильної системи також можуть створювати шум, навіть якщо компресор не працює, що є цілком нормальним явищем.
6. Передні кромки холодильника можуть бути теплими на дотик. Це нормально. Ці області мають нагріватися, щоб уникнути конденсації.

Підключення до електромережі

Підключіть холодильник до заземленої розетки, захищеної плавким запобіжником відповідної потужності.

Важливо!

- Підключення має відповідати національним нормам і правилам.
 - Після встановлення холодильника має бути забезпечений легкий доступ до штепселя шнура живлення.
 - Указана напруга має відповідати напрузі вашої електромережі.
 - Для підключення не слід використовувати подовжувачі та штепсельні колодки на декілька гнізд.
- ⚠ У разі пошкодження шнура живлення його заміну має здійснювати кваліфікований електрик.
- ⚠ Забороняється користуватися холодильником, доки його не буде відремонтовано! Існує небезпека ураження електричним струмом!

Утилізація упаковки

Пакувальні матеріали можуть становити небезпеку для дітей. Зберігайте пакувальні матеріали у недоступному для дітей місці, або утилізуйте їх, розсортувавши відповідно до інструкцій з утилізації відходів. Не утилізуйте їх разом із звичайними побутовими відходами.

Упаковка вашого холодильника вироблена з матеріалів, що можуть бути використані повторно.


Утилізація вашого старого холодильника

Утилізуйте старий холодильник, не завдаючи шкоди довкіллю.

- З питань щодо утилізації холодильника ви можете звернутися до пункту збору відходів вашого населеного пункту.

Перед утилізацією холодильника відріжте штепсель електрошнура, а також виведіть з ладу замки (якщо такі існують) дверцят, щоб захистити дітей від небезпеки зачинення всередині.

Розміщення та Установка

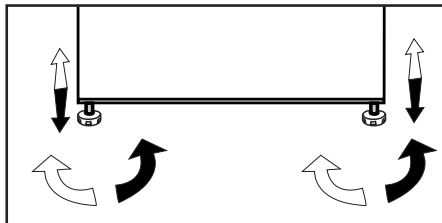
 Якщо двері приміщення, в якому буде встановлено холодильник, недостатньо широкі, зверніться до сервісної служби; її співробітники допоможуть зняти двері з холодильника та пронести його боком.

1. Встановлюйте холодильник у місці, зручному для його використання.
2. Холодильник має знаходитися в місці, віддаленому від джерела тепла, підвищеної вологості та прямих сонячних променів.
3. Для ефективнішої роботи необхідно забезпечити гарну вентиляцію навколо холодильника. Якщо холодильник встановлюється в ніші стіни, мінімальна відстань має бути 5 см до стелі та 5 см до стіни. Якщо на підлозі лежить килим, треба підняти холодильник на 2,5 см над рівнем підлоги.
4. Холодильник має стояти на рівній поверхні, щоб не виникало трясіння.

Регулювання ніжок

Якщо холодильник не збалансовано;

Ви можете збалансувати холодильник, обертаючи його передні ніжки, як показано на малюнку. Кут холодильника, в якому знаходиться ніжка, опускається, якщо повертати в напрямку чорної стрілки, і підійматиметься, якщо повертати у зворотному напрямку. Якщо хтось допоможе підняти холодильник, це полегшить процес.



Замена лампочки

Для замены лампочки освещения холодильника обратитесь в авторизованный сервисный центр.

Лампа (-ы), используемая (-ые) в данном изделии, не подходит (-ят) для бытового освещения помещений. Данная лампа предназначена для освещения при размещении пользователем продуктов питания в холодильной/морозильной камере, обеспечивая безопасность и удобство.

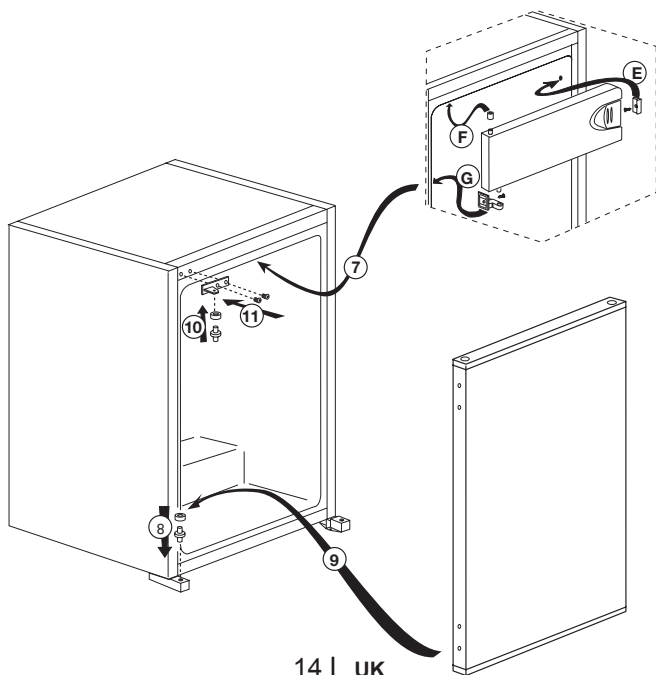
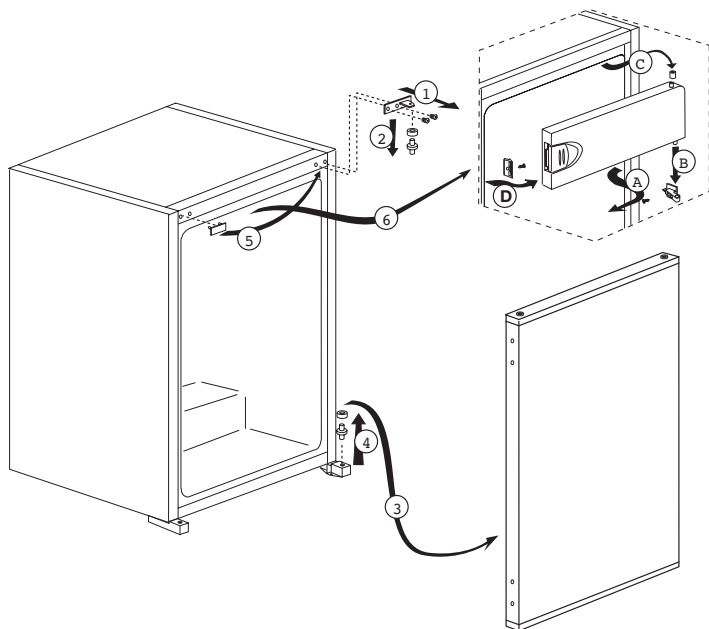
Лампы, используемые в этом приборе, должны выдерживать экстремальные физические условия, например, температуру ниже 20 °С.

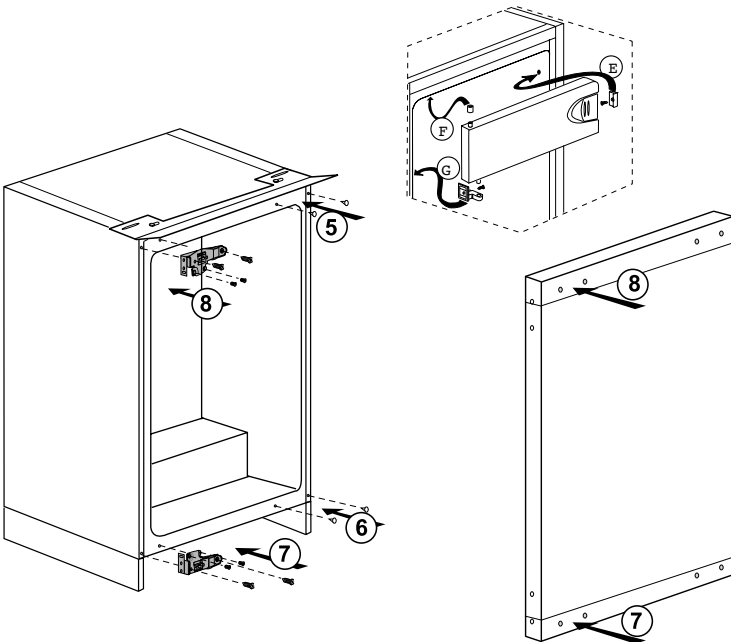
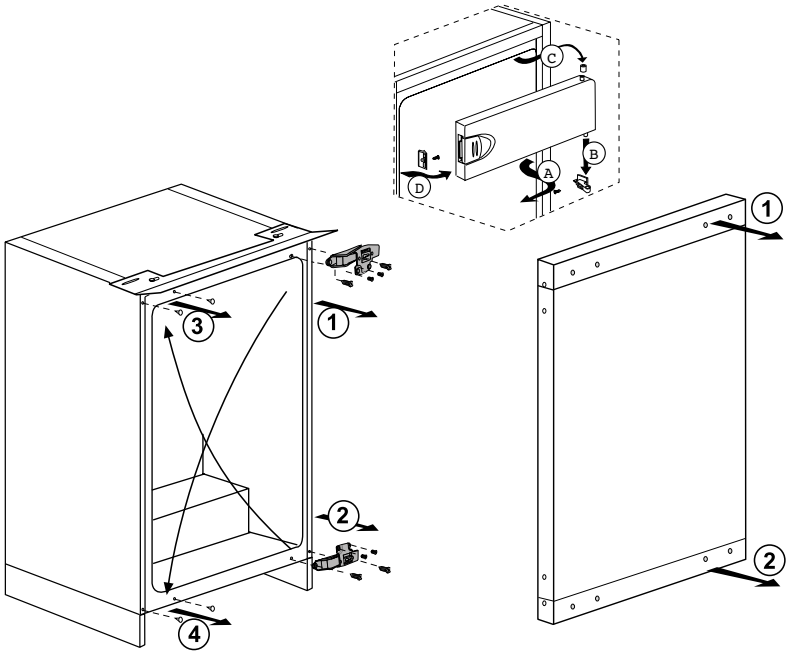
4 Підготовка

- Холодильник слід встановити на відстані щонайменше 30 см від джерел тепла, таких як жарівниці, плити, батареї центрального опалення й печі, а також не ближче 5 см від електричних духових шаф, у місцях, куди не духових шаф пічопряме сонячне світло.
- Температура повітря в приміщенні, де встановлюється холодильник, має бути не менше 10°C. Використовувати холодильник в умовах нижчої температури не рекомендується з міркувань його низької ефективності.
- Упевніться в тому, що всередині холодильник старанно вимитий.
- Якщо два холодильники встановлюються поряд, між ними має бути відстань не менше 2 см.
- При першому увімкненні холодильника, протягом перших шести годин роботи дотримуйтеся наступних інструкцій.
- Не відчиняйте часто дверцята.
- Холодильник мусить працювати порожнім, без продуктів усередині.
- Не відключайте холодильник від електромережі. Якщо сталося порушення електропостачання, див. застереження у розділі "Рекомендації з вирішення проблем".
- Для забезпечення низького споживання енергії та поліпшення умов зберігання необхідно використовувати контейнери/ящики, що постачаються разом з морозильною камерою.
- Контакт їжі з датчиком температури в морозильній камері може спричинити збільшення споживання енергії пристроєм. Таким чином, слід уникати будь-якого контакту з датчиком(ами).
- Оригінальну упаковку та плівку слід зберегти для транспортування або переміщення холодильника в майбутньому.
- В деяких моделях приладова панель автоматично вимикається через 5 хвилин після закривання дверей. Вона повторно активізується після відчинення дверей або натискання будь-якої клавіші.
- Конденсація вологи на полицях дверцят/корпусу та скляних контейнерах є нормальним явищем і виникає завдяки зміні температури внаслідок відкриття/закриття дверцят під час функціонування виробу.

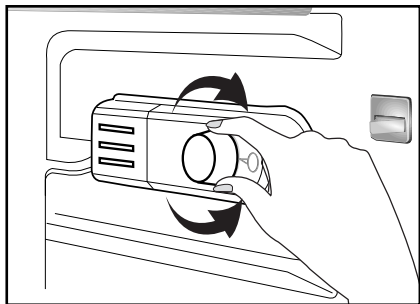
Перенавішування дверцят

Виконуйте у числовому порядку.

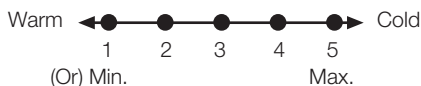




5 Користування холодильником



Робоча температура налаштовується регулятором температури.



1 = Режим найменшого охолодження (найтепліший)

5 = Режим найбільшого охолодження (найхолодніший)

(Або)

Min. = Режим найменшого охолодження (найтепліший)

Max. = Режим найбільшого охолодження (найхолодніший)

Середня температура всередині холодильника повинна дорівнювати приблизно +5°C.

Виберіть налаштування відповідно до потрібної температури.

Роботу приладу можна припинити, повернувши ручку термостата на позначку "0".

Зауважте, що температура буде різнитися залежно від місця в охолоджуваному об'ємі. Найнижча температура – безпосередньо над відділенням для овочів.

Температура всередині залежить також від зовнішньої температури, від того, як часто відчиняються дверцята, а також від кількості продуктів у холодильнику.

Часте відчинення дверцят призводить до підвищення температури всередині приладу. Тому рекомендується після відчинення дверцят зачиняти їх якомога швидше.

Заморожування

Заморожування продуктів

Морозильне відділення позначене символом

Прилад можна використовувати для заморожування свіжих продуктів, а також для зберігання вже заморожених.

Див. рекомендації, наведені на упаковках продуктів.

• Увага!

Не заморожуйте газовані напої, оскільки це може призвести до розриву пляшок.

Будьте обережними із замороженими продуктами на зразок кольорових кубиків льоду.

Не допускайте перевищення морозильної здатності приладу протягом 24 годин. Див. паспортну табличку.

Щоб якість продуктів не погіршувалась, процес заморожування повинен проходити якомога швидше.

Так вдасться уникнути перевищення морозильної здатності та підвищення температури всередині морозильника.

• Увага!

Завжди зберігайте свіжі продукти окремо від продуктів глибокої заморозки.

Під час заморожування гарячих продуктів холодильний компресор працюватиме до повного їх заморожування. Це може призвести до тимчасового переохолодження холодильного відділення.

Якщо для відчинення щойно зачинених дверцят холодильника потрібне певне зусилля, це не привід для занепокоєння. Причина в різниці тиску: через кілька хвилин тиск зрівняється, і дверцята легко відчиняться.

Відразу після зачинення дверцят чути звук всмоктування. Це цілком нормально.

Приготування кубиків льоду


Залейте лоток для кубиків на 3/4 водою і поставте в морозильне відділення.

Щойно вода замерзне, можна виймати кубики.

Не використовуйте для виймання кубиків гострі предмети, наприклад, ножі або виделки. Це може призвести до травмування!

Замість цього дайте кубикам трохи відтанути або опустіть дно лотка ненадовго у гарячу воду.

Зберігання заморожених продуктів

Відділення для заморожених продуктів позначене символом .

Відділення для заморожених продуктів можна використовувати для зберігання попередньо заморожених продуктів. Слід завжди дотримуватися вказаних на упаковці рекомендацій щодо зберігання продуктів.

Розморожування приладу

Утворення товстого шару льоду впливає на ефективність роботи холодильника.

Тому рекомендується розморожувати його щонайменше двічі на рік або за умови, що товщина утвореного льоду перевищує 7 мм.


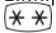
При розмороженні холодильник мусить бути порожнім або майже порожнім.

Вийміть з холодильника заморожені продукти. Загорніть їх у декілька шарів паперу або у ковдру та покладіть в холодне місце.

Перед розмороженням від'єднайте шнур живлення від гнізда електромережі або вимкніть рубильник.

Вийміть з приладу приналежності (полиці, висувні ящики і т.п.), далі зберіть талу воду у будь-яку ємність.

Якщо необхідно, губкою або м'якою тканиною зберіть залишки талої води у морозильному відділенні

 і  і висунути для заморожених продуктів.

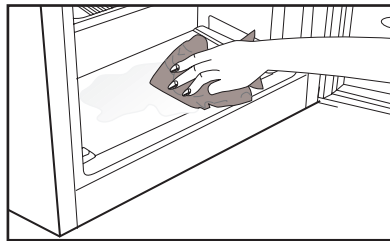
Під час розморожування залишайте дверцята відчиненими.

Щоб прискорити розмороження, помістіть всередину приладу ємності з теплою водою.

Не застосовуйте для видалення льоду електроприлади, розморожувальні аерозолі та гострі предмети на зразок ножів або виделок.

Після завершення розмороження помийте внутрішні поверхні холодильника.

Підключіть прилад до електромережі. Помістіть заморожені продукти у висувні ящики та засуньте ящики у морозильник.



Охолодження

Зберігання продуктів

Холодильне відділення призначене для короткострокового зберігання свіжих продуктів та напоїв.

Зберігайте молочні продукти у відповідному відділенні холодильника.

Пляшки можна зберігати у пляшкотримачі або на полиці для пляшок, що розташована на дверцятах.

Сире м'ясо найкраще зберігати у поліетиленовій торбині, у відділенні, розташованому найнижче.

Перш ніж класти гарячі продукти або напої у холодильник, дайте їм охолонути до кімнатної температури.

• Увага!

Міцні алкогольні напої потрібно зберігати у контейнері у щільно закритих пляшках, поставлених вертикально.

• Увага!

Не зберігайте у холодильнику вибухові речовини й ємності, що містять легкозаймисті гази під тиском (вершки в аерозольній упаковці, аерозольні балончики тощо).

Це створює небезпеку вибухів.

Припинення роботи приладу

Регулятор термостата має позначку "0":

- Щоб припинити роботу приладу, слід повернути регулятор термостата у положення "0" (нуль). Прилад увімкнеться знову лише тоді, коли регулятор термостата буде встановлено у положення "1" або інше робоче положення.

Регулятор термостата має позначку "min":

- Щоб припинити роботу приладу, слід від'єднати його від електромережі.

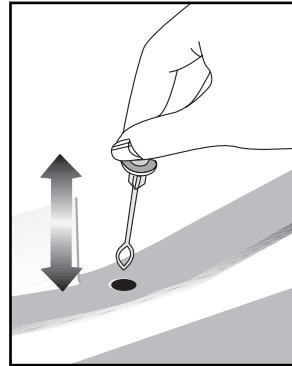
Розморожування приладу

Холодильне відділення розморожується автоматично. Тала вода проходить через канал стоку в збірний контейнер у задній частині приладу.










Під час розморожування на задній стінці холодильника утворюються краплі води, причиною чого є випаровування.





Після розмороження краплі, що не стекли, можуть замерзнути. Зніміть їх м'якою тканиною, змоченою у теплій воді. Не використовуйте тверді чи гострі предмети.

Час від часу перевіряйте потік талої води. Канал стоку може випадково забитися. Його можна прочистити за допомогою засобу для чищення труб або іншого приладдя.




6 Догляд та очищення

-  Не використовуйте бензин чи подібні матеріали для чищення.
-  Перед виконанням чищення рекомендуємо від'єднати холодильник від електромережі.
-  Заборонено використовувати для чистки гострі абразивні засоби, мило, засоби для видалення плям, миючі засоби та поліролі на основі воску.
-  Промийте шафу холодильника ледь теплою водою та витріть насухо.
-  У приладах без функції розморожування No Frost на задній стінці холодильного відділення можуть утворюватися краплі води та шар інею завтовшки не більше товщини пальця. Не зчищайте його; не застосовуйте для чищення масляні або аналогічні засоби.
-  Для чищення зовнішньої поверхні приладу використовуйте тільки злегка зволожену ганчірку з мікрофібри. Губки та інші види ганчірок можуть подрятати поверхню.
-  Для мийки відділень усередині холодильника користуйтеся ганчіркою, змоченою у розчині, який складається з чайної ложки питної соди на півлітра води, потім витріть їх насухо.
-  Слідкуйте, щоб вода не потрапила до корпусу лампочки та в інші електричні прилади.
-  Якщо прилад не буде використовуватися протягом тривалого часу, вимкніть його з електромережі, звільніть від усіх продуктів, протріть і залишіть дверцята відчиненими.

-  Регулярно перевіряйте, чи не забруднений шматочками їжі ущільнювач на дверях.
-  Для знімання лотка у дверях розвантажте його, а потім просто підштовхніть угору.
-  У жодному разі не використовуйте засоби для чищення чи воду, що містять хлор, для чищення зовнішніх поверхонь або хромованих деталей виробу. Хлор викликає корозію таких металевих поверхонь.
-  Не використовуйте гострі та абразивні засоби або мило, засоби для догляду за оселею, синтетичні миючі засоби, бензин, бензол, віск і т.д., в іншому випадку на пластикових частинах з'являться сліди і відбудеться їх деформація. Використовуйте для чищення теплу воду і м'яку тканину, а потім витріть насухо.

Захист пластикових поверхонь

-  Не зберігайте рідкі олії чи продукти з додаванням олії в холодильник у відкритому вигляді чи негерметичній упаковці, вони можуть зіпсувати пластикові поверхні холодильника. У разі потрапляння олії на пластикову поверхню очистіть цю частину поверхні теплою водою.

7 Рекомендації з усунення несправностей

Перед тим як звертатися до авторизованої сервісної служби, ознайомтеся з наведеною інформацією. Це допоможе вам заощадити гроші й час. Наведений нижче перелік містить найчастіші несправності, не викликані зіпсованим обладнанням чи матеріалом. Деякі з функцій, що наведені тут, можуть бути відсутні у вашому виробі.

Холодильник не працює.

- Чи під'єднаний холодильник до мережі правильним чином? Вставте штепсель до настінної розетки.
- Чи справна запобіжна пробка, до якої підключено холодильник, чи не перегорів запобіжник? Перевірте запобіжник.

Конденсація на бічній стінці холодильного відділення (MULTI ZONE, COOL CONTROL і FLEXI ZONE).

- Дуже низька температура навколишнього середовища. Дверцята холодильника часто відчиняють і зачиняють. Висока вологість навколишнього середовища. Зберігання продуктів, які містять рідину, у відкритих контейнерах. Нещільно зачинені дверцята. Перемкніть термостат на нижчу температуру
- Не тримайте дверцята відчиненими або відчиняйте їх рідше.
- Накривайте продукти, які зберігаються у відкритих контейнерах, відповідним матеріалом.
- Витріть конденсат сухою тканиною та перевірте, чи з'являється він знову.

Компресор не працює.

- Термозахист компресора може бути пошкоджений в результаті несподіваного збою енергопостачання чи увімкнення-вимкнення, оскільки тиск хладагенту в системі охолодження не встиг збалансуватися. Холодильник почне працювати орієнтовно через 6 хвилин. Якщо після закінчення цього періоду холодильник не запрацює, зверніться до сервісної служби.
- Холодильник перебуває у стані розморожування. Для холодильника, що розморожується автоматично, це цілком нормально. Розморожування відбувається періодично.
- Холодильник не під'єднано до мережі. Переконайтеся, що вилка належним чином вставлена в розетку.
- Чи правильно відрегульовано температуру?
- Можливо, відключена подача електроенергії.

Холодильник вмикається занадто часто або працює занадто довго.

- Ваш новий холодильник може бути ширшим за попередній. Це цілком нормально. Великі холодильники працюють протягом тривалішого часу.
- Температура навколишнього середовища може бути зависокою. Це цілком нормально.
- Холодильник міг бути нещодавно увімкнений чи завантажений продуктами. Повне охолодження холодильника може тривати на кілька годин довше.
- Можливо, у холодильник нещодавно завантажили велику кількість гарячих продуктів. Гарячі продукти спричиняють довшу роботу холодильника з метою досягнення потрібної температури зберігання.
- Можливо, двері часто відчиняють, або вони тривалий час були нещільно зачинені. Тепле повітря, що потрапляє до холодильника, спричиняє його довшу роботу. Відчиняйте дверцята рідше.
- Нещільно зачинені двері холодильного чи морозильного відділень. Перевірте, чи щільно зачинені дверцята.
- Холодильник відрегульовано на дуже низьку температуру. Відрегулюйте температуру холодильного відділення до вищого значення, поки не буде досягнута потрібна температура.
- Ущільнювач дверцята холодильного чи морозильного відділень, можливо, забруднений, зношений, зіпсутий або неправильно встановлений. Ущільнювач дверей треба почистити чи замінити. Пошкоджений ущільнювач примушує холодильник працювати довше для того, щоб підтримувати температуру.

Температура морозильного відділення занизька, тоді як температура холодильника достатня.

- Морозильне відділення відрегульовано на дуже низьку температуру. Відрегулюйте температуру морозильного відділення до вищого значення та перевірте.

Температура холодильника занизька, тоді як температура морозильного відділення достатня.

- Холодильник налаштовано на дуже низьку температуру. Відрегулюйте температуру холодильника до вищого значення та перевірте.

Продукти, що зберігаються у холодильному відділенні, заморожуються.

- Холодильник налаштовано на дуже низьку температуру. Відрегулюйте температуру холодильника до вищого значення та перевірте.

Температура у холодильному чи морозильному відділеннях зависока.

- Холодильник налаштовано на дуже високу температуру. Температура холодильного відділення впливає на температуру морозильного. Змініть температуру холодильника чи морозильника, поки не буде досягнуто потрібне значення.
- Можливо, дверцята часто відчиняють, або вони тривалий час були нещільно зачинені; відчиняйте дверцята рідше.
- Можливо, дверцята холодильника прочинені; зачиніть їх повністю.
- Можливо, у холодильник нещодавно завантажили велику кількість гарячих продуктів. Заждіть, поки холодильник чи морозильник досягне потрібної температури.
- Можливо, холодильник нещодавно увімкнули. На повне охолодження холодильника буде потрібен час.

Рівень робочого шуму підвищується під час роботи холодильника.

- Робочі характеристики холодильника можуть змінюватися у залежності від температури навколишнього середовища. Це цілком нормально і не свідчить про несправність.

Вібрації або шум
<ul style="list-style-type: none"> • Нерівна чи нестійка підлога. При повільному переміщенні холодильник дрижить. Переконайтеся, що підлога рівна і може витримати вагу холодильника. • Шум може бути спричинений предметами, що покладені зверху на холодильник. Сторонні предмети слід прибрати з холодильника.
З холодильника лунає шум, наче ллється чи розбризкується рідина.
<ul style="list-style-type: none"> • Рідини і гази протікають у системі охолодження холодильника відповідно до принципу його роботи. Це цілком нормально і не свідчить про несправність.
Чується шум, наче дме вітер.
<ul style="list-style-type: none"> • Для охолодження холодильника використовуються вентилятори. Це цілком нормально і не свідчить про несправність.
Конденсат на внутрішніх стінках холодильника.
<ul style="list-style-type: none"> • Спекотна й волога погода сприяє утворенню льоду та появі конденсату. Це цілком нормально і не свідчить про несправність. • Можливо, дверцята холодильника прочинені; зачиніть їх повністю. • Можливо, дверцята часто відчиняють, або вони тривалий час були нещільно зачинені; відчиняйте дверцята рідше.
Поява вологи зовні холодильника чи між ступками дверей.
<ul style="list-style-type: none"> • Повітря вологе; при вологій погоді це цілком нормально. Коли волога зменшиться, конденсація зникне.
Поганий запах всередині холодильника.
<ul style="list-style-type: none"> • Слідкуйте за тим, щоб холодильник усередині був чистим. Протріть внутрішню частину холодильника губкою, змоченою в теплій чи газованій воді. • Деякі види упаковки чи контейнерів для зберігання також можуть бути джерелом запаху. Використовуйте інший контейнер чи матеріал для упакування.

Дверцята не зачиняються.
<ul style="list-style-type: none"> • Продукти можуть заважати зачиненню дверцят. Перекладіть продукти, які заважають зачиненню дверцят. • Можливо, холодильник стоїть не зовсім вертикально. Це може викликати дрижання при найменшому русі. Відрегулюйте гвинт регулювання висоти. • Нерівна чи неміцна підлога. Переконайтеся, що підлога рівна і може витримати вагу холодильника.
Контейнери злиплися.
<ul style="list-style-type: none"> • Можливо, продукти торкаються верхньої частини контейнера. Перекладіть продукти в контейнері.
Якщо Поверхня Пристрою Є Гарячою
<ul style="list-style-type: none"> • Під час роботи пристрою простір між двома дверима, бічні панелі й задня решітка можуть нагріватися до високої температури. Це цілком нормально і не потребує технічного обслуговування.

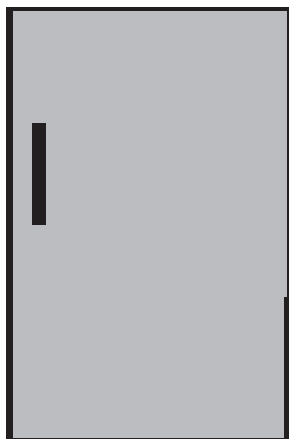
Офіційний представник на території України: ТОВ «Беко Україна», адреса: 03150, м. Київ, вул. Антоновича, буд. 72 тел/факс.: 0-800-500-4-3-2”

Інформацію про сертифікацію продукту Ви можете уточнити
зателефонувавши на гарячу лінію 0-800-500-4-3-2.

Термін служби десять років

Холодильник

Руководство пользователя



RUS |

beko

Прочтите это руководство перед началом эксплуатации!

Уважаемый покупатель!

Надеемся, что наше изделие, изготовленное на современном оборудовании и прошедшее тщательный контроль качества, будет хорошо служить вам.

Для этого перед началом эксплуатации внимательно изучите данное руководство и всегда держите его под рукой в качестве справочника.

Данное руководство

- Поможет вам быстро освоить этот прибор и безопасно им пользоваться.
- Прочтите это руководство перед установкой и эксплуатацией прибора.
- Соблюдайте инструкции, в особенности, правила техники безопасности.
- Храните руководство в легкодоступном месте, так как оно может понадобиться вам в будущем.

• Ознакомьтесь со всеми остальными документами, которые прилагаются к прибору. Учтите, что данное руководство по эксплуатации может применяться и для других моделей.

Условные обозначения

В данном руководстве по эксплуатации используются следующие условные обозначения:



Важная информация или полезные советы по эксплуатации.



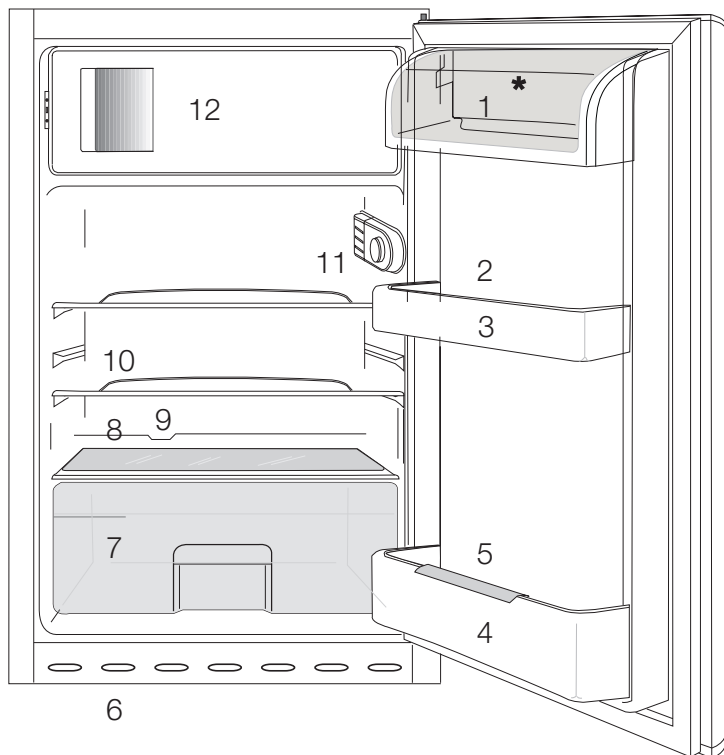
Предупреждение об опасности для жизни и имущества.



Предупреждение об опасном электрическом напряжении.

1 Описание холодильника	4	4 Подготовка к работе	17
2 Важные указания по технике безопасности	5	5 Эксплуатация холодильника	18
Использование по назначению.....	5	Ручка регулирования термостата	18
Для изделий с раздатчиком охлажденной воды:.....	9	Охлаждение	18
Безопасность детей.....	9	Замораживание.....	19
Соответствие Директиве ЕС об утилизации электрического и электронного оборудования (WEEE) и утилизация вышедшего из употребления оборудования:.....	10	Размораживание.....	19
Соответствие Директиве ЕС об ограничении содержания вредных веществ (RoHS):	10	Остановка работы прибора.....	20
Информация об упаковке.....	10	6 Обслуживание и чистка	21
Рекомендации по экономии электроэнергии	10	Защита пластмассовых поверхностей	21
3 Установка	12	7 Рекомендации по устранению неисправностей	22
Правила транспортировки холодильника	12		
Подготовка к эксплуатации	12		
Утилизация упаковки.....	13		
Утилизация старого холодильника	13		
Размещение и установка.....	13		
Замена лампочки	14		
Перевешивание дверей	15		

1 Описание холодильника



1. Камера для молочных продуктов
2. Лоток для яиц (1 шт.)
3. Полка в дверце
4. Полка для бутылок
5. Держатель для бутылок
6. Вентиляционная решетка
7. Контейнер для овощей и фруктов
8. Крышка контейнера для фруктов и овощей
9. Канал для слива талой воды – сливная трубка
10. Съемные полки
11. Внутренняя подсветка и ручка термостата
12. а) Морозильное отделение и лоток для льда (для моделей *** ** ***). б) Отделение замороженных продуктов и лоток для льда (для моделей **(* *)**).

*** Может отсутствовать во всех моделях**




i Иллюстрации в данной инструкции являются схематичными и могут отличаться от вашей модели. Если в приобретенном вами изделии нет каких-либо из показанных компонентов, значит, они используются в других моделях.


2 Важные указания по технике безопасности

Обязательно ознакомьтесь со следующей информацией. Игнорирование данной информации может привести к причинению травм или повреждению имущества. Кроме того, гарантийные обязательства и обязательства по эксплуатации и надёжности утратят силу.

Оригинальные запасные части будут предоставлены в течение 10 лет с момента покупки изделия.

Использование по назначению

	ПРЕДУПРЕЖДЕНИЕ: Во время хранения или установки устройства убедитесь в том, что его вентиляционные отверстия открыты.
	ПРЕДУПРЕЖДЕНИЕ: Для ускорения процесса оттаивания льда не пользуйтесь какими-либо механическими устройствами или другими устройствами, за исключением рекомендуемых производителем.
	ПРЕДУПРЕЖДЕНИЕ: Не допускайте повреждения цепи хладагента.

	ПРЕДУПРЕЖДЕНИЕ: Не пользуйтесь в отсеках для хранения продуктов питания устройства электрическими приборами, не рекомендуемыми изготовителем.
---	---

Это устройство разработано для использования в быту или подобных условиях

- Для использования на служебных кухнях магазинов, офисов и других рабочих мест;

- Для использования клиентами в фермерских домах и отелях, мотелях и других гостиничных заведениях.

- в пансионатах;
- в других сферах применения, за исключением предприятий общественного питания и розничной торговли.

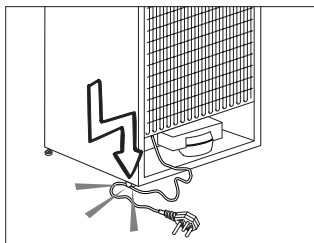
Общие правила техники безопасности

- В случае необходимости утилизировать или уничтожить изделие для получения необходимой информации рекомендуется обратиться в фирменный сервисный центр, а также в местные органы власти.
- По всем вопросам, касающимся холодильника, обращайтесь в фирменный

- сервисный центр. Не вмешивайтесь в работу изделия и не разрешайте этого другим без уведомления фирменного сервисного центра.
- Для изделий с морозильным отделением: не ешьте мороженое в рожках и кубики льда после их извлечения из морозильного отделения! (Это может вызвать обморожение полости рта.)
 - Для изделий с морозильным отделением: не помещайте напитки в бутылках и банках в морозильное отделение. Они могут лопнуть.
 - Не дотрагивайтесь до замороженных продуктов – они могут примерзнуть к рукам.
 - Отключайте холодильник от сети перед чисткой или размораживанием.
 - Ни в коем случае не используйте для чистки и размораживания холодильника пар или аэрозольные чистящие средства. В этом случае пар может попасть на электрические компоненты, что приведет к короткому замыканию или поражению электрическим током.
 - Ни в коем случае не используйте холодильник или его части (например, дверцу) в качестве подставки или опоры.
 - Не используйте электрические приборы внутри холодильника.
 - Не допускайте повреждения частей, в которых циркулирует хладагент, используя режущие или сверлильные инструменты. Хладагент может вырваться из пробитого испарителя, трубопроводов или покрытий поверхности и вызвать раздражение кожи и поражение глаз.
 - Ни в коем случае не закрывайте и не закупоривайте вентиляционные отверстия холодильника.
 - Ремонт электрического оборудования должны производить только квалифицированные специалисты. Ремонт, выполненный некомпетентными лицами, может создать опасность для потребителя.
 - В случае неполадок во время эксплуатации, а также при проведении техобслуживания или ремонта отключите холодильник, выключив соответствующий предохранитель или вынув шнур питания из розетки.
 - Не тяните за сетевой шнур, вынимая вилку из розетки.
 - Крепкие алкогольные напитки должны плотно закрываться крышкой и храниться в вертикальном положении .

- Нельзя хранить в холодильнике банки с горючими и взрывоопасными веществами.
- Для ускорения процесса размораживания не используйте механические устройства или другие средства, кроме тех, которые рекомендованы производителем.
- Данный электроприбор не предназначен для использования лицами (включая детей) с ограниченными физическими, сенсорными и интеллектуальными возможностями либо не имеющими опыта и знаний. Они могут пользоваться электроприбором только под наблюдением лица, ответственного за их безопасность, или под его руководством.
- Ни в коем случае нельзя пользоваться неисправным холодильником. При возникновении вопросов обращайтесь к квалифицированному специалисту.
- Электрическая безопасность гарантируется только в том случае, если система заземления в вашем доме соответствует стандартам.
- Воздействие на устройство дождя, снега, солнца или ветра опасно с точки зрения электробезопасности.
- В случае повреждения шнура питания и т.п. обратитесь в фирменный сервисный центр, чтобы не подвергать себя опасности.
- Ни в коем случае нельзя включать холодильник в розетку во время установки. Это может привести к серьезным травмам или смерти.
- Этот холодильник предназначен только для хранения пищевых продуктов. Его нельзя использовать для каких-либо иных целей.
- Табличка с техническими характеристиками находится слева на внутренней стенке холодильника.
- Ни в коем случае нельзя подключать холодильник к электронным системам экономии электроэнергии, поскольку это может привести к его поломке.
- Если в холодильнике есть источник синего света, не смотрите на него долгое время ни незащищенными глазами, ни через какие-либо оптические приборы или инструменты.
- При отключении от сети электропитания холодильника с ручным управлением подождите не менее 5 минут, прежде чем подключать его снова.

- В случае продажи изделия эту инструкцию по эксплуатации следует передать новому владельцу.
- При транспортировке холодильника избегайте повреждения шнура питания. Изгибание шнура питания может привести к возгоранию. Не ставьте на него тяжелые предметы. При подключении холодильника к сети электропитания не прикасайтесь к вилке влажными руками.

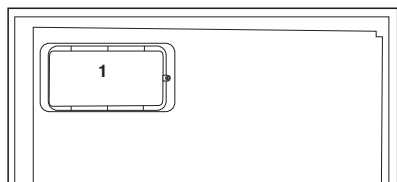
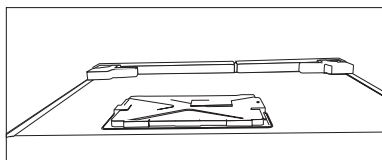


- Ни в коем случае нельзя подключать холодильник к плохо закрепленной стенной розетке сети электропитания.
- Из соображений безопасности не допускайте попадания воды на внешние или внутренние части холодильника.
- Не распыляйте рядом с холодильником воспламеняющиеся газы, такие как газ пропан, ввиду риска пожара или взрыва.
- Не ставьте сосуды с водой на холодильник, поскольку это может привести к поражению электрическим током или пожару.

- Не загружайте холодильник продуктами сверх меры. Если холодильник перегружен, продукты могут выпасть при открытии дверцы и травмировать вас или повредить холодильник. Не кладите предметы на холодильник, поскольку они могут упасть при открытии или закрытии дверцы.
- В холодильнике нельзя хранить вещества, требующие определенных температурных условий, такие как вакцины, термочувствительные медикаменты, материалы для научных исследований и т.п.
- Холодильник следует отключить от электросети, если он не будет использоваться в течение длительного времени. Неисправность шнура питания может привести к возгоранию.
- Холодильник может смещаться, если регулируемые ножки не зафиксированы на полу. Фиксирование регулируемых ножек на полу предотвратит смещение холодильника.
- При перемещении холодильника не держите его за ручку. В противном случае он может поломаться.
- При установке холодильника расстояние между ним и другим холодильником или морозильником должно

составлять минимум 8 см. В противном случае боковые прилегающие стенки будут увлажняться.

- Никогда не используйте данное изделие, если его часть, расположенная сверху или сзади и имеющая электронные печатные платы внутри, открыта (крышка электронной печатной платы) (1).



Для изделий с раздатчиком охлажденной воды:

- Давление холодной воды на входе должно составлять максимум 90 фунтов на квадратный дюйм (6,2 бар). Если давление воды будет превышать 80 фунтов на квадратный дюйм (5,5 бар), следует использовать для в водопроводной системы клапан ограничения давления. Если Вы не знаете, как проверить давление воды,

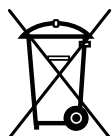
обратитесь за помощью к профессиональному сантехнику.

- Если во время установки существует риск гидравлического удара, всегда используйте оборудование для предотвращения гидроудара. Если Вы не уверены в отсутствии риска гидроудара, обратитесь к профессиональным сантехникам.
- Не устанавливайте на входе горячей воды. Следует предпринять необходимые меры предосторожности для предотвращения риска замерзания шлангов. Рабочий интервал температур воды будет составлять не менее 33°F (0,6°C) и не более 100°F (38°C).
- Используйте только питьевую воду.

Безопасность детей

- Если на дверце есть замок, ключ следует хранить в недоступном для детей месте.
- Следует присматривать за детьми и не разрешать им портить холодильник.

Соответствие Директиве ЕС об утилизации электрического и электронного оборудования (WEEE) и утилизация вышедшего из употребления оборудования:



Данное изделие соответствует Директиве ЕС об утилизации электрического и электронного оборудования (2012/19/EU). Данное изделие имеет маркировку,

указывающую на утилизацию его как электрического и электронного оборудования (WEEE). Это изделие произведено из высококачественных деталей и материалов, которые подлежат повторному использованию и переработке. Поэтому не выбрасывайте изделие с обычными бытовыми отходами после завершения его эксплуатации. Его следует сдать в соответствующий центр по утилизации электрического и электронного оборудования. О местонахождении таких центров вы можете узнать в местных органах власти.

Соответствие Директиве ЕС об ограничении содержания вредных веществ (RoHS):

Приобретенное вами изделие соответствует Директиве ЕС о правилах ограничения содержания вредных веществ (2011/65/EU). Оно не содержит вредных и запрещенных материалов, указанных в Директиве.

Информация об упаковке

Упаковочные материалы изделия изготовлены из материалов, подлежащих вторичной переработке, в соответствии с местными нормативами и правилами касательно защиты окружающей среды. Не утилизируйте упаковочные материалы вместе с бытовыми или другими отходами. Отнесите их в один из пунктов приема упаковочных материалов, назначенных местными органами власти.

Если система охлаждения вашего изделия содержит R600a:

Этот газ огнеопасен, поэтому будьте осторожны, чтобы не повредить систему охлаждения и трубопроводы при эксплуатации и во время транспортировки. В случае повреждения уберите устройство подальше от потенциальных источников огня, которые могут привести к возгоранию, а также проветривайте помещение, в котором находится устройство.

Не обращайте внимания на предупреждение, если система охлаждения вашего изделия содержит R134a.

Тип газа, используемого изделием, указан на паспортной табличке, расположенной слева на внутренней стенке холодильника.

Не сжигайте изделие в целях утилизации.

Рекомендации по экономии электроэнергии

- Не оставляйте дверцу холодильника открытой на длительное время.
- Не кладите в холодильник горячие продукты или напитки.
- Не перегружайте холодильник, чтобы не нарушать циркуляцию воздуха.
- Не устанавливайте холодильник в местах, где на него попадают прямые солнечные лучи, или поблизости от источников тепла, таких как плита, посудомоечная машина или радиатор

- Следите за тем, чтобы контейнеры с продуктами были закрыты.
- Для изделий с морозильным отделением: в морозильное отделение холодильника можно заложить максимальное количество продуктов, если достать из него полку или ящик. Указанное в технических характеристиках энергопотребление холодильника определено при условии, что полка или ящик морозильного отделения извлечены, и в него загружено максимально возможное количество продуктов. Полку и ящик можно использовать для замораживания продуктов в соответствии с их формой и размером.
- Таяние замороженных продуктов в холодильном отделении обеспечит экономию электроэнергии и сохранение качества продуктов.

3 Установка

- И** Учтите, что производитель не несет ответственности в случае несоблюдения указаний, приведенных в данном руководстве.

Правила транспортировки холодильника

1. Перед транспортировкой следует вынуть из холодильника все продукты и вымыть его.
2. Перед упаковкой следует надежно закрепить все полки, оборудование, контейнеры для овощей и фруктов и т.п. при помощи клейкой ленты, чтобы предохранить их от тряски.
3. Холодильник следует обвязать лентами из плотного материала и прочными веревками. При транспортировке следует придерживаться правил, напечатанных на упаковке.

Не забывайте о том, что...

Вторичное использование материалов очень важно для сохранения природы и наших национальных богатств.

Если вы решите сдать упаковочные материалы на переработку, обратитесь за подробной информацией в организации по охране окружающей среды или в местные органы власти.

Подготовка к эксплуатации

Перед началом эксплуатации холодильника выполните следующие действия.

1. Убедитесь, что внутри холодильника сухо, и воздух может свободно циркулировать позади холодильника.
2. Можно установить два пластиковых упора, как показано на рисунке. Пластиковые упоры обеспечат необходимое расстояние между холодильником и стеной для

надлежащей циркуляции воздуха. (Изображение на рисунке предназначено только для иллюстрации и не совпадает полностью с вашим изделием.)

3. Выполните чистку холодильника в соответствии с рекомендациями, приведенными в разделе "Обслуживание и чистка".
4. Подключите холодильник к электрической сети. При открытии двери холодильника включается лампочка внутреннего освещения.
5. При запуске компрессора будет слышен шум. Жидкость и газы, находящиеся внутри герметичной системы охлаждения, также могут создавать шум, независимо от того, работает компрессор или нет, что является вполне нормальным явлением.
6. Передние кромки холодильника могут казаться теплыми на ощупь. Это нормально. Эти области подогреваются, чтобы предупредить конденсацию.

Подключение к электросети Подсоедините холодильник к заземленной розетке с предохранителем соответствующего номинала.

- Важное замечание
- Подключение следует выполнять в соответствии с местными нормами и правилами.
- Место подключения шнура питания к розетке должно быть легкодоступным.
- Напряжение в сети должно соответствовать данным, указанным в характеристиках холодильника.

- Запрещается использовать при установке удлинители и многоместные розетки.
- ⚠️ Замену поврежденного шнура питания должен выполнять квалифицированный электрик.
- ⚠️ Запрещается пользоваться неисправным электроприбором! Это может привести к поражению электрическим током.

Утилизация упаковки

Упаковочные материалы могут быть опасны для детей. Храните упаковочные материалы в недоступном для детей месте или выбросьте их, рассортировав в соответствии с правилами утилизации отходов. Не выбрасывайте их вместе с обычными бытовыми отходами.

Упаковка холодильника изготовлена из материалов, подлежащих вторичной переработке.

Утилизация старого холодильника

Утилизация старого прибора должна выполняться экологически безопасным способом.

- Сведения об утилизации прибора можно получить у официального дилера или в пункте сбора отходов по месту жительства.

Перед утилизацией холодильника следует отрезать шнур питания и сломать замки на дверцах (при наличии), чтобы предотвратить опасные ситуации для детей.

Размещение и установка

⚠️ Если дверь помещения, в котором будет установлен холодильник, недостаточно широка, можно снять дверцы холодильника и внести его в дверь боком. Для того чтобы снять дверцы, обратитесь в фирменный сервисный центр.

1. Устанавливайте холодильник в удобном для использования месте.
2. Холодильник следует устанавливать в местах, защищенных от прямых солнечных лучей, вдали от источников тепла и повышенной влажности.
3. Для более эффективной работы необходимо обеспечить хорошую вентиляцию вокруг холодильника.
4. Если холодильник устанавливается в нише, минимальное расстояние до потолка и стен должно быть не менее 5 см. При установке на ковровое покрытие следует приподнять холодильник на 2.5 см от пола.
5. Холодильник следует устанавливать на ровную поверхность, иначе может возникать вибрация.

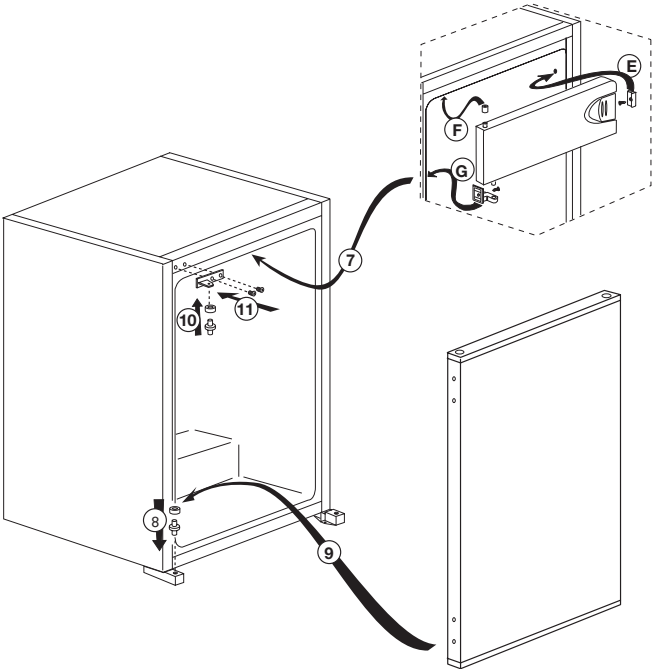
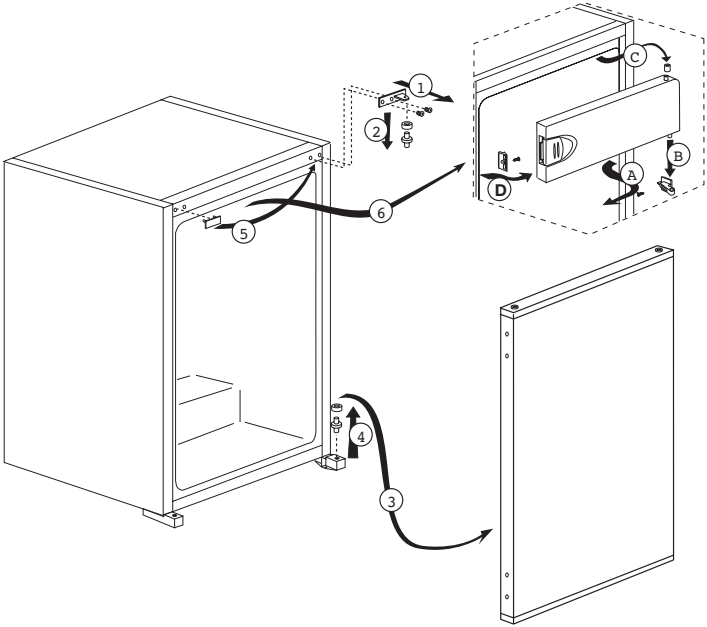
Замена лампочки

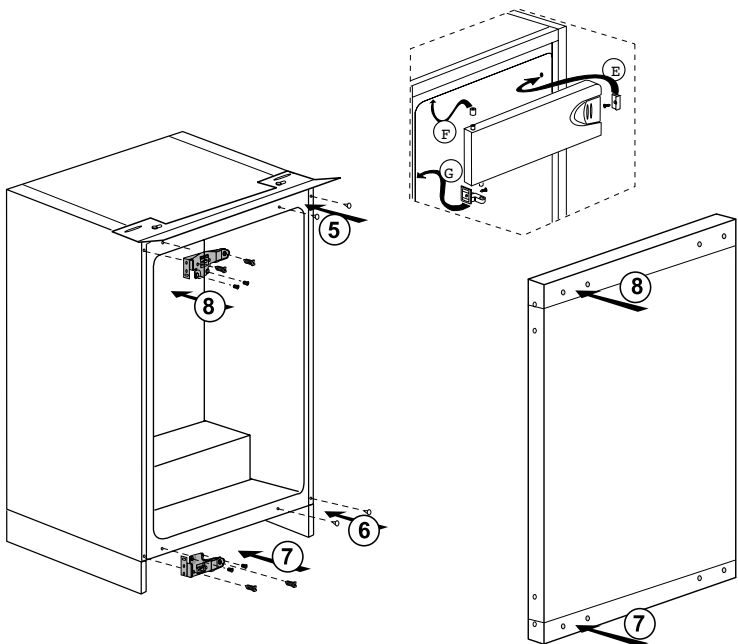
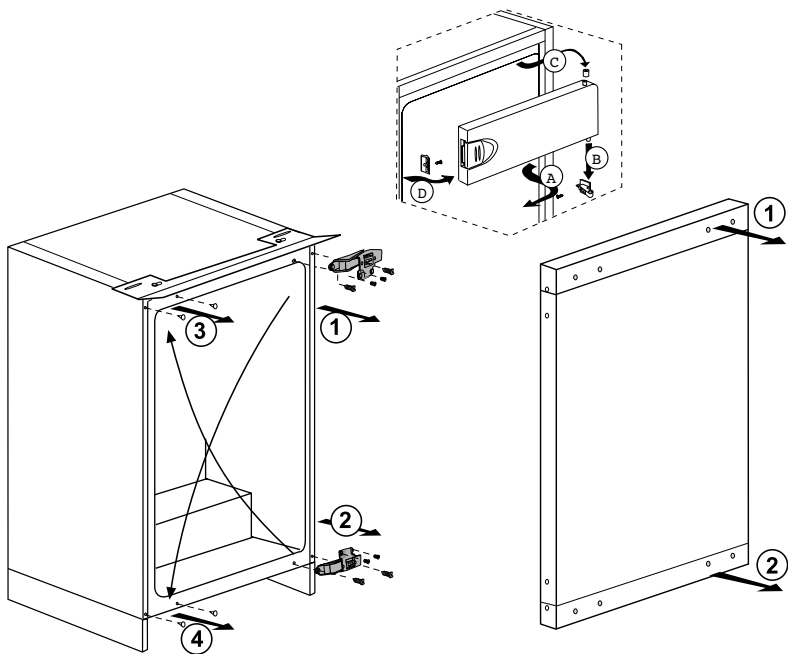
Для замены лампочки освещения холодильника обратитесь в авторизованный сервисный центр.

Лампа (-ы), используемая (-ые) в данном изделии, не подходит (-ят) для бытового освещения помещений. Данная лампа предназначена для освещения при размещении пользователем продуктов питания в холодильной/морозильной камере, обеспечивая безопасность и удобство.

Лампы, используемые в этом приборе, должны выдерживать экстремальные физические условия, например, температуру ниже 20 °С.

Перевешивание дверей





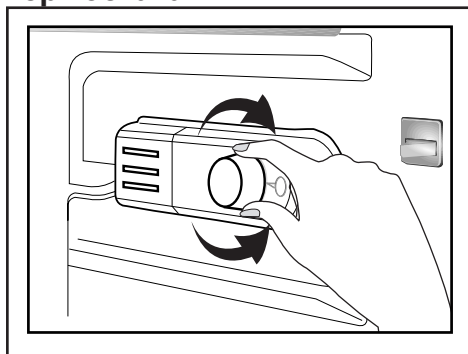
5

4 Подготовка к работе

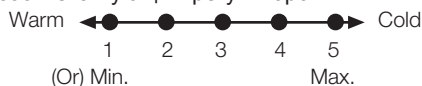
- i** Холодильник следует устанавливать в местах, куда не попадает прямой солнечный свет, на расстоянии не менее 30 см от источников тепла, таких как варочные панели, духовки, батареи центрального отопления и печи, и на расстоянии не менее 5 см от электрических плит.
- i** Температура воздуха в помещении, где устанавливается холодильник, должна быть не менее 10°C. Использовать холодильник при более низкой температуре не рекомендуется в связи с его низкой эффективностью в таких условиях.
- i** Содержите внутреннее пространство холодильника в чистоте.
- i** Если два холодильника устанавливаются рядом, то между ними должно быть расстояние не менее 2 см.
- i** При первом включении холодильника в течение первых шести часов работы обязательно соблюдайте следующие правила.
 - Не открывайте дверцу слишком часто.
 - Не загружайте в холодильник продукты.
 - Не отключайте холодильник от электрической сети. Если произошло отключение электроэнергии не по вашей вине, см. указания в разделе «Рекомендации по устранению неполадок».
- i** Фирменную упаковку и пленку следует сохранить на случай последующей транспортировки прибора.

5 Эксплуатация холодильника

Ручка регулирования термостата



Рабочая температура регулируется соответствующим регулятором.



1 = Наименьшее значение охлаждения (самая высокая температура)

5 = Самое высокое значение охлаждения (самая низкая температура)

(или)

Min. = Наименьшее охлаждение (самая высокая температура)

Max. = Наибольшее охлаждение (самая низкая температура)

Средняя температура в холодильнике должна быть около +5°C.

Установите значение, соответствующее нужной температуре.

Имейте в виду, что в области охлаждения будут разные температуры.

Самая холодная область располагается непосредственно над контейнером для овощей и фруктов.

Температура внутри холодильника также зависит от температуры окружающей среды, частоты открывания дверцы и количества хранимых продуктов.

Если дверца открывается часто, то температура внутри повышается.

По этой причине рекомендуется как можно скорее закрывать дверцу.

Температура внутри холодильника изменяется по следующим причинам:

- сезонные изменения температуры;
- частое открывание дверцы и дверца, оставленная открытой на долгое время;
- помещение продуктов в холодильник без предварительного охлаждения до комнатной температуры;
- расположение холодильника в помещении (например, в местах, освещенных солнечным светом).
- При изменении внутренней температуры по таким причинам можно отрегулировать ее с помощью термостата. Цифры на регуляторе термостата означают степень охлаждения.
- Если температура окружающей среды превышает 32°C, установите регулятор термостата в положение максимального охлаждения.
- Если температура окружающей среды ниже 25°C, установите регулятор термостата в положение минимального охлаждения.


Охлаждение

Хранение продуктов

Камера холодильника предназначена для непродолжительного хранения свежих продуктов и напитков.

Замораживание


Замораживание продуктов

Морозильное отделение обозначено символом .

Прибор можно использовать для замораживания свежих продуктов, а также для хранения предварительно замороженных продуктов.

Следуйте рекомендациям, приведенным на упаковке продуктов.

Хранение замороженных продуктов

Отделение замороженных продуктов обозначено символом .

Отделение замороженных продуктов предназначено для хранения предварительно замороженных продуктов. Всегда соблюдайте рекомендации по хранению продуктов, указанные на их упаковке.

Размораживание

А) Холодильная камера

Холодильная камера размораживается автоматически. Во время работы холодильника стекающие капли воды могут образовать на задней стенке холодильной камеры слой наледи толщиной до 7-8 мм. Такая наледь является обычным явлением, которое связано с особенностями работы системы охлаждения. Эта наледь периодически удаляется с помощью системы автоматического размораживания, которая находится на задней стенке холодильника. Пользователю не нужно самому счищать лед или вытирать капли воды.

Талая вода, которая образуется при размораживании, стекает по желобу в сливную трубку, попадает на испаритель и там испаряется.

Регулярно проверяйте, не засорилась ли сливная трубка, и при необходимости прочищайте ее палочкой через сливное отверстие.

Автоматическое размораживание морозильной камеры не предусмотрено, так как это может привести к порче замороженных продуктов.

Б) Морозильная камера

Размораживание выполняется очень просто и не требует особых хлопот, благодаря наличию специального лотка для сбора талой воды.

Размораживание следует проводить два раза в год, или когда слой льда достигнет толщины приблизительно 7 мм.

Чтобы начать процедуру размораживания, выключите прибор и выньте шнур питания из розетки.

Все продукты следует обернуть газетами в несколько слоев и поместить в прохладное место (например, в холодильник или кладовую).

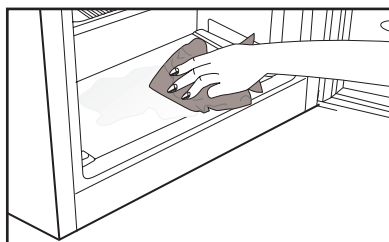
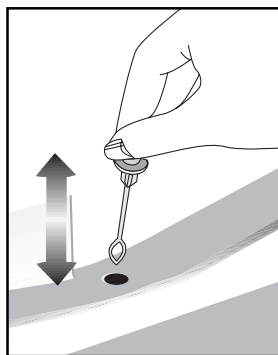
Для ускорения размораживания в морозильную камеру можно поместить емкости с теплой водой.

Не используйте для удаления льда острые предметы, например, ножи или вилки.

Не используйте для размораживания фены, электронагреватели и другие подобные электроприборы.

Талую воду, накопившуюся в нижней части морозильного отделения, промокните губкой. После размораживания вытрите насухо внутреннюю поверхность.

Вставьте вилку шнура питания в розетку и включите электропитание.



Остановка работы прибора

Регулятор термостата имеет метку "0":
Чтобы остановить работу прибора, поверните регулятор термостата в положение "0" (ноль). Прибор включится снова только после того, как регулятор термостата будет установлен в положение "1" или другое рабочее положение.

Регулятор термостата имеет метку "min":
чтобы остановить работу прибора, отсоедините его от электрической сети.

6 Обслуживание и чистка

- ⚠ Ни в коем случае не используйте бензин, бензол или подобные вещества для чистки.
- ⚠ Перед чисткой рекомендуем отсоединить изделие от электросети.
- ⓘ Не используйте для чистки острые абразивные инструменты, мыло, бытовые чистящие средства, моющие средства и восковую политуру.
- ⓘ Если говорить об изделиях без автоматического размораживания, то на задней стенке холодильной камеры образуются стекающие капли воды и слой наледи размером с ширину пальца. Запрещается чистить, наносить масло или аналогичные вещества.
- ⓘ Используйте только слегка увлажненные ткани из микроволокна для очистки наружной поверхности изделия. Губки и другие типы чистящих салфеток могут поцарапать поверхность.
- ⓘ Корпус изделия промойте теплой водой и затем вытрите насухо.
- ⓘ Протрите внутреннюю поверхность изделия хорошо отжатой тканью, смоченной в растворе питьевой соды (1 чайная ложка на пол-литра воды), и вытрите насухо.
- ⚠ Не допускайте попадания воды в корпус лампочки и в другие электрические компоненты.
- ⚠ Если холодильник не будет использоваться в течение длительного времени, отключите сетевой шнур, извлеките все продукты, выполните чистку и оставьте дверцу приоткрытой.
- ⓘ Регулярно проверяйте, не испачкан ли уплотнитель дверцы частицами пищи.
- ⓘ Для снятия полок в дверце полностью разгрузите их, а затем просто приподнимите вверх.
- ⓘ Для чистки наружных поверхностей и хромированных деталей изделия ни в коем случае не используйте чистящие средства или воду, содержащие хлор. Хлор вызывает коррозию таких металлических поверхностей.
- ⓘ Не используйте острые и абразивные инструменты или мыло, бытовые чистящие средства, синтетические моющие средства, бензин, бензол, воск и т.д., иначе маркировка на пластиковых деталях исчезнет, и будет иметь место деформация. Используйте для очистки и вытирания насухо теплую воду и мягкую ткань.

Защита пластмассовых поверхностей

- Не храните жидкое масло или продукты, приготовленные с добавлением масла, в морозильной камере в открытых контейнерах, так как они могут повредить пластмассовые поверхности. Если же масло протекло или попало на пластмассовую поверхность, сразу же очистите и промойте это место теплой водой.

7 Рекомендации по устранению неисправностей

Прежде чем обращаться в сервисный центр, просмотрите этот перечень. Это может помочь сэкономить время и деньги. Ниже перечислены часто возникающие проблемы, причиной которых не являются дефекты производства или материалов. Некоторые из описанных здесь функций могут отсутствовать в вашей модели.

Холодильник не работает.

- Правильно ли включен холодильник в сеть? Вставьте вилку в розетку электросети.
- Не перегорел ли предохранитель розетки, в которую включен холодильник, или главный предохранитель? Проверьте предохранитель.

Конденсация на боковой стенке отделения холодильника (MULTI ZONE, COOL CONTROL и FLEXI ZONE).

- Очень низкая температура окружающей среды. Частое открывание и закрывание дверцы. Изделие работает в условиях повышенной влажности. Хранение продуктов, содержащих жидкость, в открытых контейнерах. Неплотно закрыта дверца.
- Переключите термостат на более низкую температуру.
- Сократите периоды, когда дверца остается открытой, или открывайте ее реже.
- Накройте продукты, хранящиеся в открытых контейнерах, подходящим материалом.
- Вытрите конденсат сухой тканью и проверьте, не образуется ли он снова.

Не работает компрессор

- Термозащита компрессора может сработать при неожиданных отключениях энергоснабжения либо при выключении-включении прибора, поскольку давление хладагента в системе охлаждения не успевает стабилизироваться.
- Холодильник начнет работать примерно через 6 минут. Если по истечении этого времени холодильник не заработал, обратитесь в сервисный центр.
- Холодильник находится в режиме размораживания. Это нормально для холодильника с автоматическим размораживанием. Размораживание выполняется регулярно.
- Холодильник не включен в розетку электросети. Убедитесь, что вилка плотно вставлена в розетку электросети.
- Правильно ли отрегулирована температура? Нарушение подачи электроэнергии. Обратитесь к поставщику электроэнергии.

<p>Холодильник включается слишком часто или работает слишком долго.</p>
<ul style="list-style-type: none"> Новый холодильник может быть больше того, которым вы пользовались раньше. Это вполне нормально – большие холодильники работают в течение более длительных периодов времени. Возможно, температура в помещении повышена. Это вполне нормально. Возможно, холодильник был недавно включен или только что загружен продуктами. Полное охлаждение холодильника может продолжаться на несколько часов дольше. Возможно, в холодильник недавно поместили большое количество горячих продуктов. Из-за наличия горячих продуктов холодильник будет работать дольше, чтобы достичь нужной температуры хранения. Возможно, дверцы часто открываются либо оставались приоткрытыми в течение длительного времени. При попадании в холодильник теплого воздуха, он будет работать дольше. Открывайте дверцы реже. Неплотно закрыта дверца морозильного или холодильного отделения. Проверьте, плотно ли закрыты дверцы. Холодильник отрегулирован на очень низкую температуру. Установите в холодильнике более высокую температуру и подождите, пока установленная температура не будет достигнута. Возможно, уплотнитель дверцы холодильного или морозильного отделения загрязнен, изношен, разорван или неправильно установлен. Почистите или замените уплотнитель. Из-за поврежденного или разорванного уплотнителя холодильник будет работать дольше, чтобы поддерживать текущую температуру.

<p>Температура в морозильном отделении слишком низкая, в то время как температура в холодильном отделении достаточная.</p>
<ul style="list-style-type: none"> Температура морозильного отделения установлена на очень низкое значение. Установите в морозильном отделении более высокую температуру и проверьте работу.
<p>Температура холодильного отделения очень низкая, в то время как температура в морозильном отделении достаточная.</p>
<ul style="list-style-type: none"> Температура в холодильном отделении установлена на очень низкое значение. Установите в холодильном отделении более высокую температуру и проверьте работу.
<p>Замерзают продукты в выдвижных контейнерах холодильного отделения.</p>
<ul style="list-style-type: none"> Температура в холодильном отделении установлена на очень низкое значение. Установите в холодильном отделении более высокую температуру и проверьте работу.
<p>Температура в холодильном и морозильном отделениях слишком высокая.</p>
<ul style="list-style-type: none"> Температура в холодильном отделении установлена на очень высокое значение. Температура в холодильном отделении влияет на температуру в морозильном отделении. Изменяйте температуру в холодильном или морозильном отделении, пока не будет достигнут нужный уровень температуры. Возможно, неплотно закрыта дверца. Полностью закройте дверцу. Возможно, в холодильник недавно поместили большое количество горячих продуктов. Подождите, пока холодильное или морозильное отделение достигнет нужной температуры. Возможно, холодильник был недавно включен в сеть. Для полного охлаждения потребуется некоторое время из-за большого размера холодильника.

Из холодильника доносится шум, похожий на тиканье механических часов.
<ul style="list-style-type: none"> Этот шум вызван работой электромагнитного клапана холодильника. Он обеспечивает прохождение хладагента, который выполняет охлаждение, через отделения холодильника, в которых установлена температура охлаждения или замораживания. Это вполне нормально и не является неисправностью.
Уровень рабочего шума повышается во время работы холодильника.
<ul style="list-style-type: none"> Рабочие характеристики изделия могут изменяться в зависимости от изменений температуры окружающей среды. Это нормально и не является неисправностью.
Вибрация или шум.
<ul style="list-style-type: none"> Пол неровный или нежесткий. Холодильник медленно перемещается и при этом дрожит. Убедитесь в том, что пол ровный и достаточно прочный, чтобы выдержать вес изделия. Шум могут вызывать предметы, которые находятся на холодильнике. Такие предметы следует убрать с холодильника.
Слышен шум льющейся или разбрызгивающейся жидкости.
<ul style="list-style-type: none"> Расход жидкости и газа изменяется в соответствии с принципами работы изделия. Это нормально и не является неисправностью.
Слышен шум, похожий на шум ветра.
<ul style="list-style-type: none"> Для обеспечения эффективного охлаждения в холодильнике используются устройства подачи воздуха (вентиляторы). Это нормально и не является неисправностью.
Конденсация влаги на внутренних стенках холодильника.
<ul style="list-style-type: none"> Жаркая и влажная погода способствует образованию льда и конденсации влаги. Это нормально и не является неисправностью. Дверцы приоткрыты. Убедитесь, что дверцы полностью закрыты. Возможно, дверцы открывались очень часто, или дверца оставалась открытой длительное время. Открывайте дверцу реже.

Появление влаги снаружи холодильника или между дверцами.
<ul style="list-style-type: none"> Возможно, причина во влажной погоде. Это вполне нормально при влажной погоде. Когда влажность уменьшится, конденсация исчезнет.
Неприятный запах внутри холодильника.
<ul style="list-style-type: none"> Следует выполнить чистку внутри холодильника. Протрите холодильник внутри губкой, смоченной в теплой воде или в газированной воде. Некоторые контейнеры или упаковочные материалы также могут быть источником запаха. Используйте другой контейнер или упаковочный материал другой марки.
Дверца (дверцы) не закрывается (не закрываются).
<ul style="list-style-type: none"> Упаковки продуктов могут препятствовать закрыванию дверцы. Переместите упакованные продукты, препятствующие закрытию дверцы. Возможно, холодильник стоит не совсем вертикально, это может вызвать дрожание при любом перемещении. Отрегулируйте регулировочные винты. Пол неровный или нежесткий. Убедитесь в том, что пол ровный и может выдержать вес холодильника.
Контейнеры для фруктов и овощей прилипли.
<ul style="list-style-type: none"> Возможно, продукты касаются верхней части контейнера. Переместите продукты в контейнере.
Горячая Поверхность Изделия
<ul style="list-style-type: none"> Во время работы изделия поверхность между двумя дверцами, на боковых панелях и у задней решетки может нагреваться до высокой температуры. Это нормальное явление, не требующее сервисного обслуживания!

