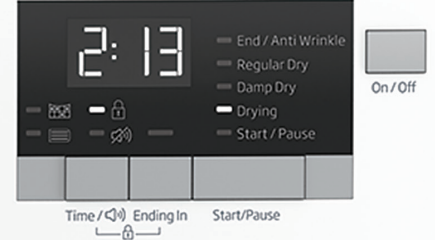


HPD24400W

beko

- Jeans
- Fitness Wear
- Sensor Drying 45°
- Wool
- Silent
- BabyProtect
- Delicates
- Timed Dry
- Normal Damp Dry
- Normal Regular Dry
- Normal Extra Dry
- Perm Press Damp Dry
- Perm Press Regular Dry
- Bulky
- Air Fluff / No Heat
- Quick Dry 30'



Key Features

- The most energy efficient in its class
- Gentle and super efficient drying with EcoGentle™ technology
- Compact 24" design
- Energy Star® HeatPump ventless dryer
- Dry up to 13 bath towels in one load
- Reduce static cling
- Automatic water drain
- No damp laundry with OptiSense™ sensor drying technology

Dimensions

Product dimensions (HxWxD)
 in 33 5/16 x 23 3/8 x 24 1/2
 cm 84.6 x 60 x 62,2

Packed dimensions (HxWxD)
 in 35 1/4 x 26 x 26 3/8
 cm 89.5 x 66 x 67

Product weight
 kg 52,5
 lbs 116

Packed weight
 kg 56,5
 lbs 125

Technical Features

Rated current amps A: 5
 Voltage/ Frequency V/ Hz:
 208 - 240 / 60
 Watts W: 900

Environmental Standards

Energy Star® qualified ✓

Energy consumption
 kWh/year: 190
 UL listed ✓
 RoHS compliant ✓

Materials and Finishes

Cabinet : White
 Door rim : White
 Cycle knob : Silver



OptiSense®

Beko sensor-controlled dryers provide easy use with advanced moisture and temperature sensors. The OptiSense® sensors save you from the time estimation for drying by allowing you to choose the desired dryness level.

The dryer stops automatically when it detects the requested dryness level that has been achieved. The moisture sensor also makes sure that the laundry is evenly dried.



EcoGentle Technology

Low temperature drying with EcoGentle heat pump technology provides ultimate fabric care by keeping colors vibrant for a long time. Low temperature drying also provides high energy efficiency.

beko

HPD24400W

General Properties

Dryer type	Heat Pump Ventless
Capacity cu. ft.	4,1
Dry load capacity kg	8,0
Lbs	17,7
Drum material	Stainless steel AquaWave™ drum
Control	Digital display w/ dial knob
Silence level dBA	65
Automatic water drain	✓
Reduce static cling	✓
Delay time	0-24 h

Cycles

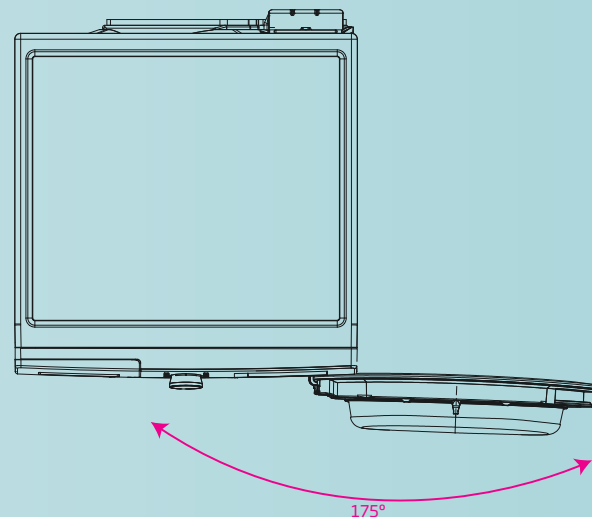
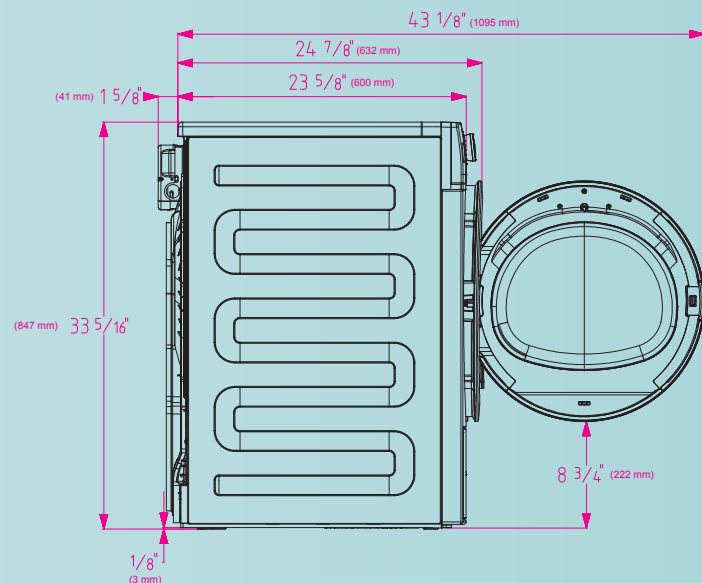
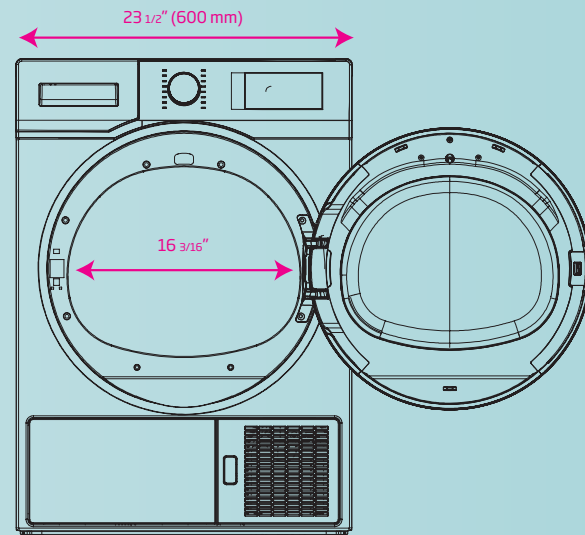
Number of cycles	16
Normal / Cottons regular	✓
Permanent press	✓
Mixed fabric	-
Delicates	✓
Bulky	✓
Air fluff / No heat	✓
Wool	✓
Jeans	✓
BabyProtect	✓
Silent program	✓
Fitness wear	✓
Quick Dry 30'	✓
Timed Dry	10-20-30-40-50-60-70-80-100-120-140-160 min

Convenience Features

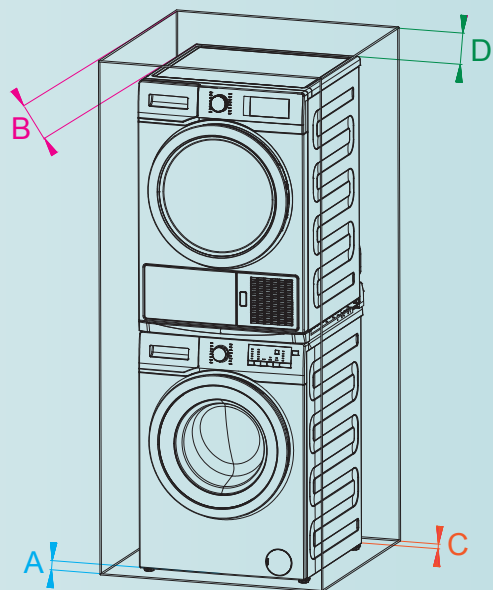
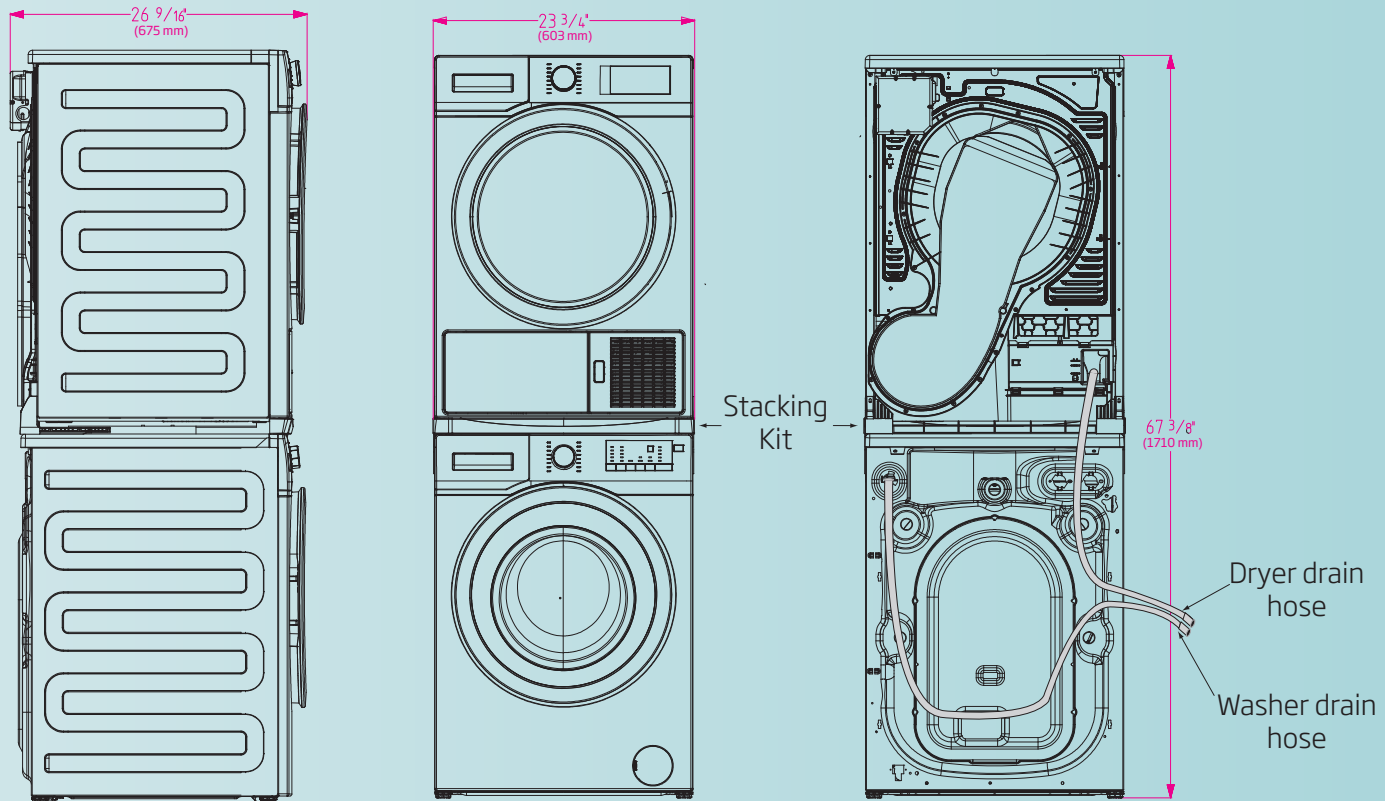
End of cycle buzzer	✓
Child lock	✓
Automatic easy Ironing	✓
Interior drum LED lighting	-
Glass door with heat protection	✓
Reversible glass door	✓
Program follower	✓
Leveling legs	4
Clean filter indicator	✓
Number of vent options	-

Stacking Kits

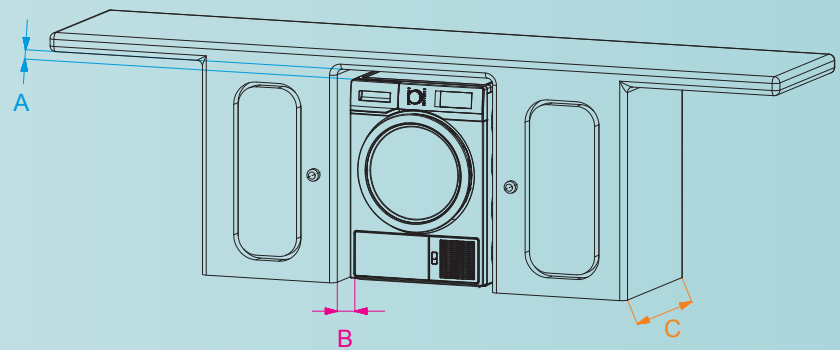
Kit-1 (universal stacking kit): Can be mounted on all clothes washers of any depth	-
Kit-2: Can be mounted on all clothes washers with 50-54-60 cm depth	2985400200



HPD24400W



A Front	1/2 in. (13mm)
B Both sides	1/2 in. (13mm)
C Rear	1/2 in. (13mm)
D Top	6 ^{1/4} in. (159mm)



A Top	1/2" min.	13 mm
B Both sides	1/2" min.	13 mm
C Counter Depth	27" min.	686 mm