

# HPD24412W

**beko**



## Key Features

- The most energy efficient in its class
- Gentle and super efficient drying with EcoGentle™ technology
- Compact 24" design
- Energy Star® HeatPump Ventless dryer
- Dry up to 13 bath towels in one load
- Interior drum LED light
- Automatic water drain
- No damp laundry with OptiSense™ sensor drying technology
- Reduce static cling

## Dimensions

**Product dimensions (HxWxD)**  
in 33 5/16 x 23 3/8 x 24 1/2  
cm 84,6 x 60 x 62,2

**Packed dimensions (HxWxD)**  
in 35 1/4 x 26 x 26 3/8  
cm 89,5 x 66 x 67

**Product weight**  
kg 52,5  
lbs 116

**Packed weight**  
kg 56,5  
lbs 125

## Technical Features

Rated current amps A: 5  
Voltage/ Frequency V/ Hz:  
208 - 240 / 60  
Watts W: 900

## Environmental Standards

Energy Star® qualified ✓

Energy consumption  
kWh/year: 190

UL listed ✓  
RoHS compliant ✓

## Materials and Finishes

Cabinet : White  
Door rim : Chrome  
Cyle knob : Chrome



### OptiSense®

Beko sensor-controlled dryers provide easy use with advanced moisture and temperature sensors. The OptiSense® sensors save you from the time estimation for drying by allowing you to choose the desired dryness level.

The dryer stops automatically when it detects the requested dryness level that has been achieved. The moisture sensor also makes sure that the laundry is evenly dried.



### EcoGentle Technology

Low temperature drying with EcoGentle heat pump technology provides ultimate fabric care by keeping colors vibrant for a long time. Low temperature drying also provides high energy efficiency.

**beko**

# HPD24412W

## General Properties

Dryer type	Heat Pump Ventless
Capacity cu. ft.	4,1
Dry load capacity kg	8,0
Lbs	17,7
Drum material	Stainless steel AquaWave™ drum
Control	Digital display w/ dial knob
Silence level dBA	65
Automatic water drain	✓
Reduce static cling	✓
Delay time	0-24 h

## Cycles

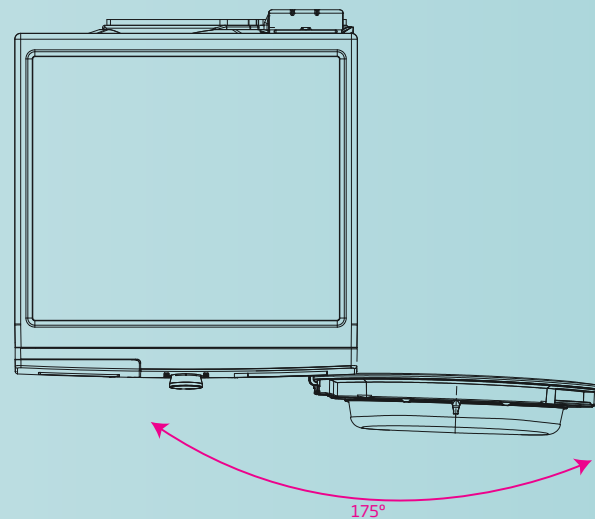
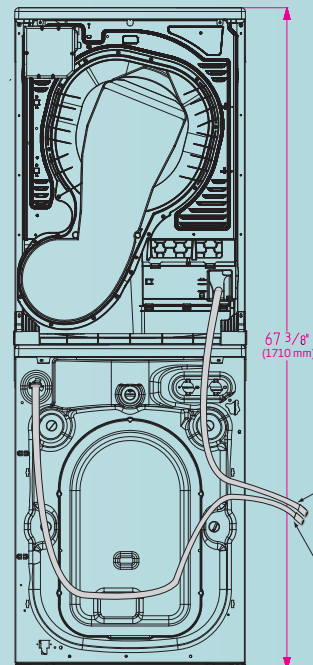
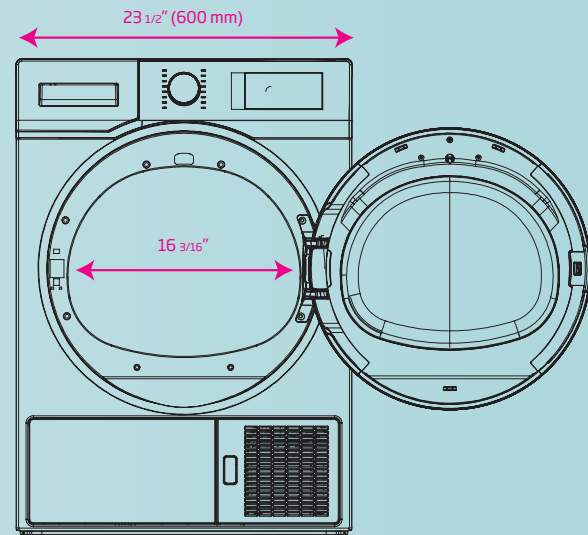
Number of cycles	16
Normal / Cottons regular	✓
Permanent press	✓
Mixed fabric	-
Delicates	✓
Bulky	✓
Air fluff / No heat	✓
Wool	✓
Jeans	✓
BabyProtect	✓
Silent program	✓
Fitness wear	✓
Quick Dry 30'	✓
Timed Dry	10-20-30-40-50-60-70-80-100-120-140-160 min

## Convenience Features

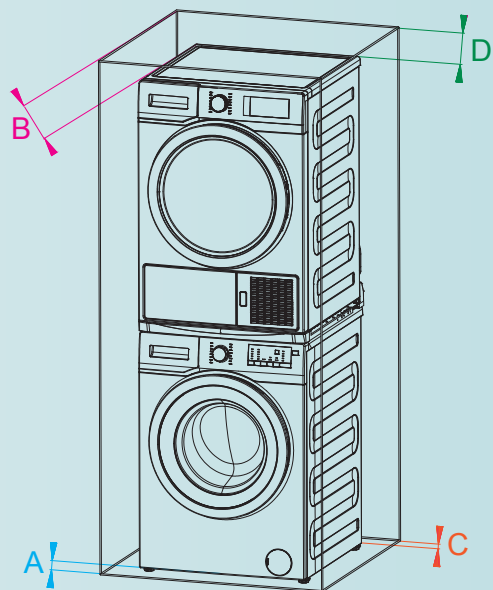
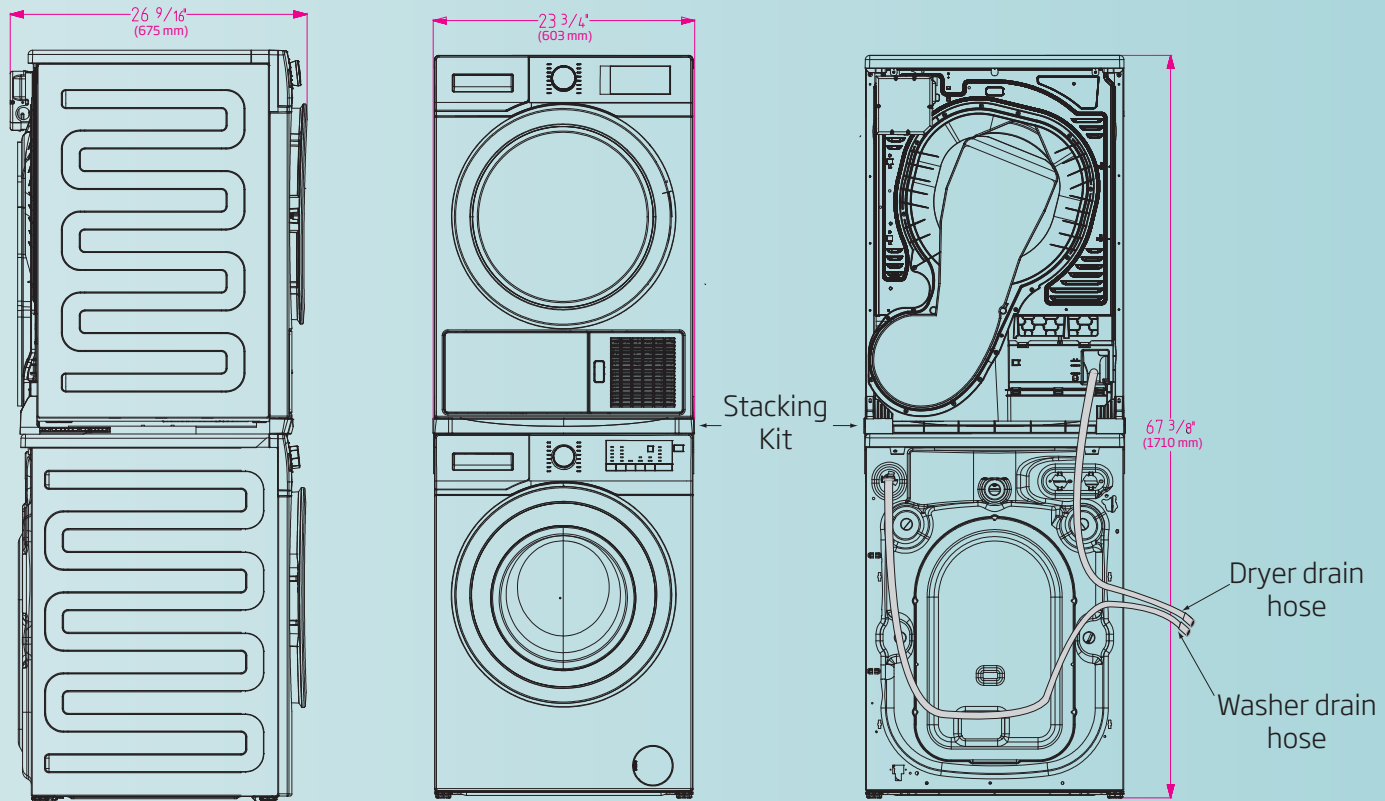
End of cycle buzzer	✓
Child lock	✓
Automatic easy Ironing	✓
Interior drum LED lighting	✓
Glass door with heat protection	✓
Reversible glass door	✓
Program follower	✓
Leveling legs	4
Clean filter indicator	✓
Number of vent options	-

## Stacking Kits

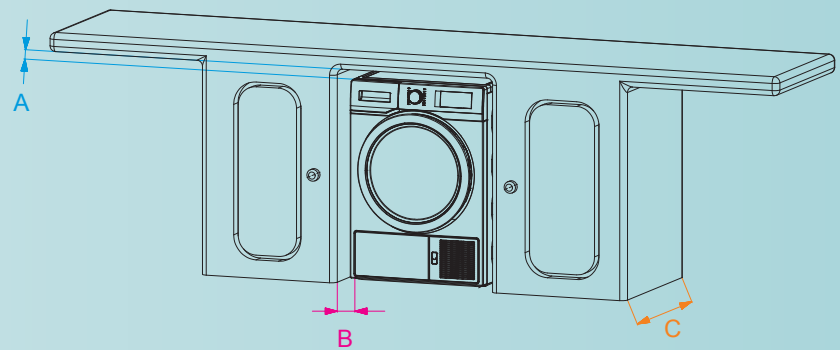
Kit-1 (universal stacking kit): Can be mounted on all clothes washers of any depth	-
Kit-2: Can be mounted on all clothes washers with 50-54-60 cm depth	2985400200



# HPD24400W



<b>A</b> Front	1/2 in. (13 mm)
<b>B</b> Both sides	1/2 in. (13 mm)
<b>C</b> Rear	1/2 in. (13 mm)
<b>D</b> Top	6 <sup>1/4</sup> in. (159 mm)



<b>A</b> Top	1/2" min.	13 mm
<b>B</b> Both sides	1/2" min.	13 mm
<b>C</b> Counter Depth	27" min.	686 mm