

Over The Range Microwave Oven

User Manual



MWOTR 30100 SS | MWOTR 30100 BL

01M-8851283200-1316-01

beko

Please read this manual first!

Dear Customer,

Thank you for preferring a Beko product. We hope that you get the best results from your product which has been manufactured with high quality and state-of-the-art technology. Therefore, please read this entire user manual and all other accompanying documents carefully before using the product and keep it as a reference for future use. If you handover the product to someone else, give the user manual as well. Follow all warnings and information in the user manual.

Remember that this user manual is also applicable for several other models. Differences between the models are explicitly described in the manual.

Meanings of the symbols

Following symbols are used in the various section of this user manual:



Important information and useful hints about usage.



Warnings for dangerous situations concerning the safety of life and property.



Warning for hot surfaces.



This product has been manufactured in environmental friendly modern plants without giving any harm to the nature.

This appliance conforms to the WEEE regulation.



It does not contain PCB.

CONTENTS

1 Important safety and environmental instructions 4

1.1 General safety	4
1.2 Intended use	8
1.3 Children's safety.....	9
1.4 Compliance with the WEEE Directive and disposal of waste products	10
1.5 Package information	10

2 Your over the range convection microwave oven 11

2.1 Overview	11
2.2 Technical data	11
2.3 Installing the turntable	12

3 Installation 13

3.1 Installation	13
------------------------	----

4 Operation 14

4.1 Control Panel and Features.....	14
4.2 Operation Instructions	14
4.2.1 Clock Setting	14
4.2.2 Microwave Cooking	14
4.2.3 Multi-stage Cooking.....	15
4.2.4 Speedy Cooking.....	15
4.2.5 Defrost Cooking.....	15
4.2.6 Hood Function	16
4.2.7 Oven Lamp.....	16
4.2.8 Timer Function	16
4.2.9 Display On/Off Function	16
4.2.10 Popcorn Menu.....	16
4.2.11 Baked Potato Menu.....	16
4.2.12 Beverage Menu	17
4.2.13 Reheat Menu.....	17
4.2.14 Inquiring Function.....	17
4.2.15 Lock Function For Children	17

5 Maintenance 18

5.1 Troubleshooting	18
---------------------------	----

6 Guarantee and Service 19

Important Safety Instructions Read Carefully And Keep For Future Reference

This section contains safety instructions that will help protect from risk of fire, electric shock, exposure to leak microwave energy, personal injury or property damage. Failure to follow these instructions shall void any warranty.

1.1 General safety

- The microwave oven is intended for heating food and beverages. Drying of food or clothing and heating of warming pads, slippers, sponges, damp cloth and similar may lead to risk of injury, ignition or fire.

This appliance is intended to be used in household and similar applications such as:

- Staff kitchen areas in shops, offices and other working environments;
- Farm houses
- By clients in hotels, motels and other residential type environments;
- Bed and Breakfast type environments.

- Do not attempt to start the oven when its door is open; otherwise you may be exposed to harmful microwave energy. Safety locks should not be disabled or tampered with.
- Do not place any object between the front side and the door of the oven. Do not allow dirt or cleaning agent remnants built-up on the closure surfaces.
- Any service works involving removal of the cover that provides protection against exposure to microwave energy must be performed by authorized persons/service. Any other approach is dangerous.
- Your product is intended for cooking, heating and defrost food at home. It must not be used for commercial purposes. Manufacturer shall not be held liable for damages that have arisen from misuse.
- Do not use this appliance outdoors, bathrooms, humid environments or in places where the it can get wet.
- No responsibility or warranty claim shall be assumed for damages arising from misuse or improper handling of the appliance.

1

Important safety and environmental instructions

- Never attempt to dismantle the appliance. No warranty claims are accepted for damage caused by improper handling.
- Only use the original parts or parts recommended by the manufacturer.
- Do not leave this appliance unattended while it is in use.
- Always use the appliance on a stable, flat, clean dry, and non-slip surface.
- The appliance should not be operated with an external clock timer or separate remote control system.
- Before using the appliance for the first time, clean all parts. Please see the details given in the "Cleaning and Maintenance" section.
- Operate the appliance for its intended purpose only as described in this manual. Do not use abrasive chemicals or steam on this appliance. This oven is particularly intended for heating and cooking the food.
It is not intended for industrial or laboratory use.
- Do not use your appliance to dry clothes or kitchen towels.
- Appliance becomes very hot while it is in use. Pay attention not to touch the hot parts inside the oven.
- Your oven is not designed to dry any living being.
- Do not operate the oven empty.
- Only use utensils that are suitable for use in microwave ovens.
- Cooking utensil may get hot due to the heat transferred from the heated food to the utensil. You may need oven gloves to hold the utensil.
- Utensils shall be checked to ensure that they are suitable for use in microwave ovens.
- Do not place the oven on stoves or other heat generating appliances. Otherwise, it may be damaged and the warranty becomes void.
- Microwave oven must not be placed in a cabinet that is not in compliance with the installation instructions.
- Steam may come out while opening the covers or the foil after cooking the food.
- Use gloves while taking any kind of heated food out.

1

Important safety and environmental instructions

- The appliance and its accessible surfaces may be very hot when the appliance is in use.
- Door and outer glass may be very hot when the appliance is in use.
- Use the appliance with a grounded outlet only.
- Never use the appliance if the power cable or the appliance itself is damaged.

1.1.1 Electrical safety

- If the supply cord is damaged, it must be replaced by the manufacturer or its service agent or a similarly qualified person in order to avoid a hazard.
- Beko Microwave Ovens comply with the applicable safety standards; therefore, in case of any damage on the appliance or power cable, it should be repaired or replaced by the dealer, service center or a specialist and authorized service alike to avoid any danger. Faulty or unqualified repair work may be dangerous and cause risk to the user.
- Make sure that your mains power supply complies with the information supplied on the rating plate of the appliance.
The only way to disconnect the appliance from the power supply is to remove the power plug from the power outlet.
- Do not use this appliance with an extension cord.
- Never touch the appliance or its plug with damp or wet hands.
- Place the appliance in a way so that the plug is always accessible.
- Prevent damage to the power cable by not squeezing, bending, or rubbing it on sharp edges. Keep the power cable away from hot surfaces and naked flame.
- Make sure that there is no danger that the power cable could be accidentally pulled or that someone could trip over it when the appliance is in use.
- Unplug the appliance before each cleaning and when the appliance is not in use.
- Do not pull the power cable of the appliance to disconnect it from its power supply and never wrap its power cable around the appliance.
- Do not immerse the appliance, power cable, or power plug in water or any other liquids. Do not hold it under running water.

1

Important safety and environmental instructions

- When heating food in plastic or paper containers, keep an eye on the oven due to the possibility of ignition.
- Remove the wire strings and/or metal handles of paper or plastic bags before placing bags suitable for use in microwave oven to the oven.
- If smoke is observed, switch off or unplug the appliance and keep the door closed in order to stifle any flames.
- Do not use inside of the oven to store something. Do not leave paper items, cooking material or food inside the oven when it is not being used.
- The contents of feeding bottles and baby food jars shall be stirred or shaken and the temperature shall be checked before consumption, in order to avoid burns.
- This appliance is a Group 2 Class B ISM equipment. Group 2 contains all ISM (Industrial, Scientific and Medical) equipment in which radio-frequency energy is intentionally generated and/or used in the form of electromagnetic radiation for the treatment of material, and spark erosion equipment.
- Class B equipment is suitable for use in domestic establishments and establishments directly connected to a low voltage power supply network.
- Door or outer surface of the appliance may become hot when it is in use.

1.1.2 Product safety

- Heating the beverages with microwave may cause them to boil by splashing around after they have been taken out of the oven; so be careful when you are holding the containers.
- Do not roast anything in the oven. Hot oil may damage the components and materials of the oven, and it may even cause skin burns.
- Pierce food with thick crust such as potatoes, zucchinis, apples and chestnuts.
- Appliance must be placed so that the rear side is facing the wall.
- Before moving the appliance, please secure the turntable to prevent damage to it.

1

Important safety and environmental instructions

- Eggs in their shell and whole hard-boiled eggs must not be heated in microwave ovens since they may explode, even after microwave heating has ended.
- Never remove the parts at the rear and sides of the appliance, which protect the minimum distances between the cabinet walls and the appliance in order to allow for the required air circulation.
- **WARNING:** It is hazardous for anyone other than a competent person to carry out any service or repair operation which involves the removal of a cover which gives protection against exposure to microwave energy.
- **WARNING:** Liquids and other foods must not be heated in sealed containers since they are liable to explode.

1.2 Intended use

- Failure to maintain the oven in a clean condition could lead to deterioration of the surface that could adversely affect the life of the appliance and possibly result in a hazardous situation.
- Cleaning the door seals and adjacent parts: Use hot soapy water. Clean with a dish cloth, do not scour. Do not use a metal or glass scraper for cleaning.
- **WARNING:** If the door or door seals are damaged, the oven must not be operated until it has been repaired by a competent person.
- The oven should be cleaned regularly and any food deposits removed.
- There should be min 20cm free space above the top surface of the oven.
- Do not use the appliance for anything other than its intended use.
- Do not use the appliance as a heat source.
- Microwave oven is intended to thaw, cook and stew food only.
- Do not over-cook foods; otherwise, you may cause a fire.
- Do not use steam assisted cleaners to clean the appliance.

1.3 Children's safety

- Extreme caution is advised when being used near children and persons who are restricted in their physical, sensory or mental abilities.
- This appliance can be used by the children who are at the age of 8 or over and by the people who have limited physical, sensory or mental capacity or who do not have knowledge and experience, as long as they are supervised with regard to safe use of the product or they are instructed accordingly or understand the risks of using the product. Children should not play with the appliance. Cleaning and user maintenance procedures should not be performed by children unless they are controlled by their elders.
- Danger of choking! Keep all the packaging materials away from children.
- Only allow children to use the oven without supervision when adequate instructions have been given so that the child is able to use the microwave oven in a safe way and understands the hazards of improper use.
- Due to excessive heat that arises in grill and combination modes, children should only be allowed to use these modes under supervision of an adult.
- Keep the product and its power cable so that they are inaccessible by children under 8 years old.
- The appliance and its accessible surfaces may be very hot when the appliance is in use. Keep children away.
- The appliance is not intended for use by persons (including children) with reduced physical, sensory or mental capabilities, or lack of experience and knowledge, unless they have been given supervised or instruction concerning use of the appliance by a responsible person for their safety.
- Young children should be supervised to ensure that they do not play with the appliance.
- **WARNING:** Only allow children to use the oven without supervision when adequate instructions have been given so that the child is able to use the oven in a safe way and understands the hazards of improper use.

1

Important safety and environmental instructions

1.4 Compliance with the WEEE Directive and disposal of waste products



This product does not include harmful and prohibited materials specified in the "Regulation for Supervision of the Waste Electric and Electronic Appliances" issued by the Ministry of Environment and

Urban Planning. Complies with the WEEE Directive. This product has been manufactured with high quality parts and materials which can be reused and are suitable for recycling.

Therefore, do not dispose the product with normal domestic waste at the end of its service life. Take it to a collection point for the recycling of electrical and electronic equipment. Ask the local authority in your area for these collection points. Help protect the environment and natural resources by recycling used products.

1.5 Package information

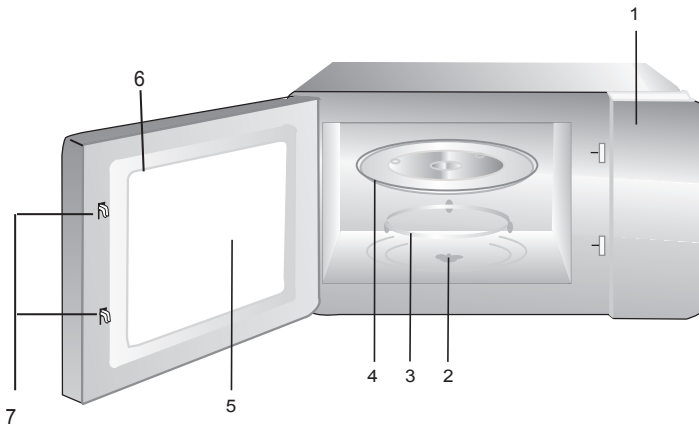


Package of the product is made of recyclable materials in accordance with our National Legislation. Do not dispose of the packaging materials

together with the domestic or other wastes. Take them to the packaging material collection points designated by the local authorities.

2 Your over the range microwave oven

2.1 Overview



1. Control panel
2. Turntable shaft
3. Turntable ring assembly
4. Glass tray
5. Observation window
6. Door assembly
7. Safety interlock system

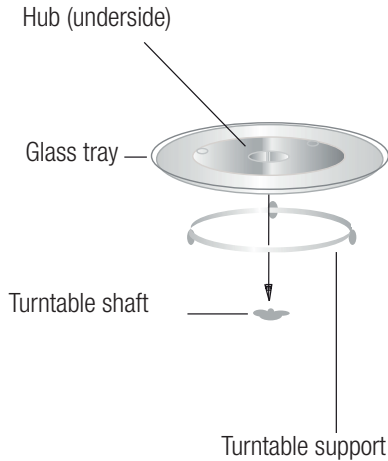
2.2 Technical data

Rated Voltage	120V~ 60Hz
Rated Input Power (Microwave)	1550 W
Rated Output Power (Microwave)	1000 W
Oven Capacity	1.6 Cu.ft. (44 L)
Turntable Diameter	Ø 345 mm
External Dimensions	759 X 382 X 417 mm
Net weight	Approx. 25 kg

Markings on the product or the values stated in other documents supplied with the product are values obtained under laboratory conditions as per relevant standards. These values may vary according to the usage of the appliance and ambient conditions. Power values are tested at 230V.

2 Your over the range microwave oven

2.3 Installing the turntable



- Never place the glass tray upside down. The glass tray should never be restricted.
- Both glass tray and turntable support must always be used during cooking.
- All food and containers of food must always place on the glass tray for cooking.
- If glass tray or turntable support crack or break, contact your nearest authorized service center.

3 Installation

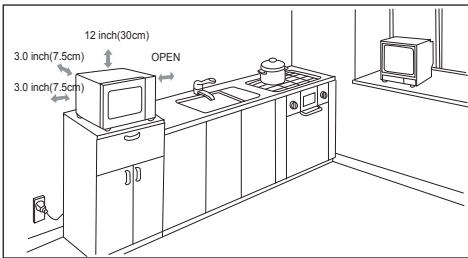
- Remove all packing material and accessories. Examine the oven for any damage such as dents or broken door. Do not install if oven is damaged.
- Remove any protective film found on the microwave oven cabinet surface.



WARNING: Do not install oven over a range cooktop or other heat-producing appliance. If installed could be damaged and the warranty would be void.

3.1 Installation

1. Select a level surface that provide enough open space for the intake and/or outlet vents.



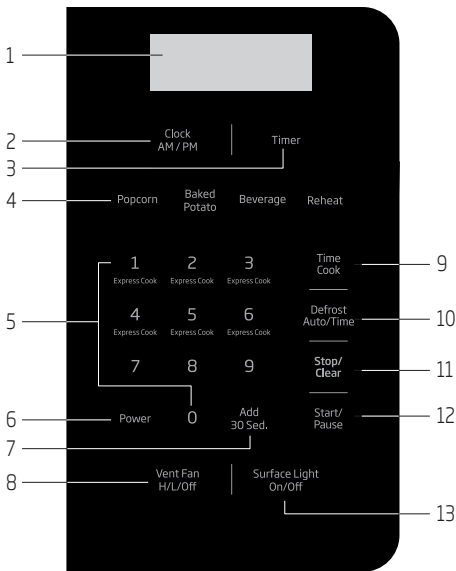
A minimum clearance of 3.0 inch (7.5cm) is required between the oven and any adjacent wall. One side must be open.

Do not remove the light brown Mica cover that is screwed to the oven cavity to protect the magnetron.

- Leave a minimum clearance of 12 inch(30cm) above the oven.
 - Do not remove the legs from the bottom of the oven.
 - Blocking the intake and/or outlet openings can damage the oven.
 - Place the oven as far away from radios and TV as possible.Operation of microwave oven may cause interference to your radio or TV reception.
2. Plug your oven into a standard household outlet. Be sure the voltage and the frequency is the same as the voltage and the frequency on the rating label.

4 Operation

4.1 Control Panel and Features



1. Display Screen
2. Clock AM/PM; to set the current time;
3. Timer
4. Auto Menu
5. Number Keys
6. Power
7. Add 30Sec.
8. Vent Fan H/L/Off
9. Time Cook
10. Defrost Auto/Time
11. **Stop/Clear:** Clears all previous settings pressed before cooking starts. During cooking; press once to stop oven; twice to stop and clear all entries.
12. Start/Pause
13. Surface Light On/Off

4.2 Operation Instructions

4.2.1 Clock Setting

1. Press "**CLOCK/AM/PM**", the unit enters the clock setting states. AM indicator will light. "0:00" flash to remind you to input the time.
2. Press "**CLOCK/AM/PM**" again to select AM or PM. The responding AM or PM indicator lights.
3. Press the number keys and enter the correct time. For example, time is 10:12 now, please press "1,0,1,2" in turn.
4. Press "**CLOCK/AM/PM**" key finish setting the clock. Note: This is a 12 hour clock from 1:00 to 12:59. If the time set is not appropriate, press "**CLOCK/AM/PM**" will be no used. Buzzer sounds twice and turn back to waiting states.

4.2.2 Microwave Cooking

1. Press "**TIME COOK**" to select microwave cooking. "0:00" flash to remind you to input the cooking time.
2. Press the number keys to adjust the cooking time you need. For example, to cook the time for 10 minutes. Please press "1,0,0,0" in turn. The maximum cooking time is 99 minutes 99 seconds.
3. At the same time, you can choose the power by pressing "**POWER**".
4. Press the number keys to select the power level.
5. Press "**START/PAUSE**" to start cooking. Time counts down.



If the power level you choose is 100% power, steps "3" and "4" can be skipped and go directly to the step "5".



After cooking finishing, buzzer sounds five times.

4 Operation

Ten power levels are available.

Level	10	9	8	7	6	5	4	3	2	1
Power	100%	90%	80%	70%	60%	50%	40%	30%	20%	10%
Display	PL10	PL9	PL8	PL7	PL6	PL5	PL4	PL3	PL2	PL1

4.2.3 Multi-stage Cooking

At most two stages can be input.

For example: To cook the food with 100% microwave power for 10 minutes and then cook with 80% microwave power for 15 minutes. Do as following:

1. Press **"TIME COOK"** to choose microwave cooking;
2. Press "1","0","0","0" to input the cooking time;
3. Press **"POWER"** to choose 100% microwave power;
4. Press **"TIME COOK"** to choose microwave cooking;
5. Press "1","5","0","0" to input cooking time;
6. Press **"POWER"** to select the microwave power;
7. Press "8" to choose 80% microwave power;
8. Press **"START"** to start cooking.



Microwave cooking can be set as two stages only. Defrost program and auto menu cannot be set here.



When the first stage finish, buzzer sounds once and the second stage begins cooking.



During cooking, each added press on **"ADD 30 SEC."**, 30 seconds can be added too. The time can be up to 99 minutes and 99 seconds.

4.2.4 Speedy Cooking

1. In waiting states, press **" ADD 30 SEC."** to start cooking 100% microwave power for 30 seconds.
2. During cooking states, 30 seconds can be increased for each pressing on **"ADD 30 SEC."**. The maximum cooking time is 99 minutes and 99 seconds.
3. Press number keys from 1 to 6 to start cooking with full microwave power for 1-6 minutes.



During speedy cooking, microwave power can be checked and selected. Press **"POWER"**, the current power displays, then press number keys to choose the power you need

4.2.5 Defrost Cooking

A. Defrost By Weight

1. Press **"DEFROST AUTO/TIME"** once to choose defrost by weight function. Defrost indicator will light and "lb" indicator flash;
2. Press number keys from 0 to 9 to input the defrost weight. For example: the food weight is 1.2 Lbs, then "1","2" will be input. The maximum cooking weight is 6.0 Lbs. If the weight input is more than 6.0 Lbs, the unit will turn back to waiting states.
3. Press **"START/PAUSE"** to start defrosting. "lb" indicator will be off.

B. Defrost By Time

1. Press **"DEFROST AUTO/TIME"** twice to choose defrost by time function. Defrost indicator will light;

4 Operation

2. Press number keys from 0 to 9 to input the defrost time. The maximum time can be input is 99 minutes and 99 seconds.
3. Press **"START/PAUSE"** to start defrosting.



If half the defrost time passes, the buzzer will sound twice to remind you to turn the food over.

4.2.6 Hood Function

1. When the exhaust fan is under off states, press **"VENT FAN/H/L/OFF"** once to choose the fan with high speed;
2. Press **"VENT FAN/H/L/OFF"** twice to choose the fan with low speed;
3. Press **"VENT FAN/H/L/OFF"** three times to choose the fan to be off.
4. Except lock states, the fan can be adjusted anytime.

4.2.7 Oven Lamp

1. Press **"SURFACE LIGHT ON/OFF"** once to turn on the lamp;
2. Press **"SURFACE LIGHT ON/OFF"** twice to turn off the lamp.

4.2.8 Timer Function

1. Press **"TIMER"**, timer indicator will light;
2. Press number keys to input the cooking time you need. The maximum cooking time is 99 minutes and 99 seconds.
3. Press **"TIMER"**, time counts down. When time counting down is over, buzzer sounds to indicates off.



During timer states, hood and oven lamp can be activated. Others function will be no used.

4.2.9 Display On/Off Function

1. In waiting states, press "0" for 3 seconds, buzzer sounds twice. Waiting mode can be turn on or turn off.

1. When the display under the off states, program can be set too. But cooking cannot be done. Press **"STOP/CLEAR"** to cancel the setting and turn back to off states. If the key is not pressed, the setting will be cancelled after 25s automatically and turn back to the off states.
2. Set timer function. It will display normally. After finishing, press **"TIMER"** to turn back off states.
3. To reset the clock. Please refers to the clock setting instructions. It will display normally. After operation finish, the display will be off states.

4.2.10 Popcorn Menu

1. Press **"POPCORN"** repeatedly until the number you wish appears in the display.
"1"SET: approximate 1.75 ounces
"2"SET: approximate 3.0 ounces
"3"SET: approximate 3.5 ounces

For example, press **"POPCORN"** once, "1.75" appears in the LED.

2. Press **"START/PAUSE"** to cook.

4.2.11 Baked Potato Menu

1. Press **"BAKED POTATO"** repeatedly until the number you wish appears in the display.
"1"SET: 1 potato
"2"SET: 2 potatoes
"3"SET: 3 potatoes

For example, press **"BAKED POTATO"** once, "1" appears in the LED.

2. Press **"START/PAUSE"** to cook.

4.2.12 Beverage Menu

1. Press "**BEVERAGE**" repeatedly until the number you wish appears in the display.

"1"SET: 1 cup

"2"SET: 2 cups

"3"SET: 3 cups

For example, press "**BEVERAGE**" once, "1" appears in the LED.

2. Press "**START/PAUSE**" to cook.

4.2.13 Reheat Menu

1. Press "**REHEAT**" repeatedly until the number you wish appears in the display.

"1"SET: approximate 8.0 ounces

"2"SET: approximate 16.0 ounces

"3"SET: approximate 24.0 ounces

For example, press "**REHEAT**" once, "8.0" appears in the LED.

b) Press "**START/PAUSE**" to cook.

4.2.14 Inquiring Function

1. Under microwave cooking states, press "**POWER**" to check the power level.

2. During cooking states, press "**CLOCK/AM/PM**" to check the clock.

4.2.15 Lock Function For Children

Lock: In waiting state, press "**STOP/CLEAR**" for 3 seconds, there will be two beeps

denoting the entering into the children-lock state;

Lock quitting: In locked state, press "**STOP/CLEAR**" for 3 seconds, there will be two beeps denoting that lock is released.

5 Maintenance

5.1 Troubleshooting

Check your problem by using the chart below and try the solutions for each problem. If the microwave oven still does not work properly, contact the nearest authorized service center.

Trouble	Possible cause	Possible remedy
Oven will not start	a. Electrical cord for oven is not plugged in. b. Door is open. c. Wrong operation is set.	a. Plug into the outlet. b. Close the door and try again. c. Check instructions.
Arcing or sparking	a. Materials to be avoided in microwave oven were used. b. The oven is operated when empty. c. Spilled food remains in the cavity.	a. Use microwave-safe cookware only. b. Do not operate with oven empty. c. Clean cavity with wet towel.
Unevenly cooked foods	a. Materials to be avoided in microwave oven were used. b. Food is not defrosted completely. c. Cooking time, power level is not suitable. d. Food is not turned or stirred.	a. Use microwave-safe cookware only. b. Completely defrost food. c. Use correct cooking time, power level. d. Turn or stir food.
Overcooked foods	Cooking time, power level is not suitable.	Use correct cooking time, power level.
Undercooked foods	a. Materials to be avoided in microwave oven were used. b. Food is not defrosted completely. c. Oven ventilation ports are restricted. d. Cooking time, power level is not suitable.	a. Use microwave-safe cookware only. b. Completely defrost food. c. Check to see that oven ventilation ports are not restricted. d. Use correct cooking time, power level.
Improper defrosting	a. Materials to be avoided in microwave oven were used. b. Cooking time, power level is not suitable. c. Food is not turned or stirred.	a. Use microwave-safe cookware only. b. Use correct cooking time, power level. c. Turn or stir food.

WARRANTY STATEMENT FOR THE BEKO OVER THE RANGE MICROWAVE OVEN

The warranties provided by Beko in these statements only apply to Beko electric and gas ranges sold to the original purchaser or homeowner in the US and Canada. The warranty is not transferable. To obtain warranty service, please contact our nearest distributor as listed by state and province. You will need your Over The Range Microwave Ovens model number, serial number, retailer name and address, where purchased and purchase date / installation date. This warranty gives you specific legal rights, and you may also have other rights which vary from state to state. Also, please make sure you register your product for warranty at www.beko.us

1 year (*) full warranty from date of first installation

Beko will repair or replace at no cost to the consumer any defective parts of the Over The Range Microwave Ovens if used under normal household conditions (warranty is void if the product is used commercially e.g., bed + breakfast, nursing home etc.). Service must also be performed by an authorized Beko service agency. (Cosmetic defects must be reported within 10 business days from installation). 1 year warranty on the accessories is for the parts only and does not include labor.

2 year*++ limited warranty from date of first installation (Parts only) Beko will repair or replace any parts at no cost to the consumer if material defects or workmanship have caused the damage or failure of these components. Again the electric and gas ranges must have been used under normal household conditions and not commercially as stated above (Labor charges are the responsibility of the consumer).

Disclaimers of warranties and exclusions:

Warranty does not cover service costs by an authorized service agent to correct installation, electrical problems or educational instruction on the use of the electric and gas ranges. The warranty also does not cover defects or damage caused by an act of God (such as storms, floods, fires, mudslides, etc.), damage cause by use of the electric and gas ranges for purposes other than those for which it was designed, misuse, abuse, accident, alteration, improper installation, maintenance, travel fees, service calls outside normal service hours, pick up and delivery, any food loss due to product failure, unauthorized service work or work.

This product is fully tested and went through official quality assurance inspections before leaving the original manufacturing site. Warranty terms for this Beko household appliance is not valid if the product is altered, tampered, modified, additional parts assembled, fixed and re-packed by an authorized distributor, servicer, a third party retailer, reseller or by any other unauthorized person(s).

TO THE EXTENT PERMITTED BY LAW, THIS WARRANTY IS IN LIEU OF ALL OTHER EXPRESSED AND IMPLIED WARRANTIES, INCLUDING THE IMPLIED WARRANTIES OF MERCHANTABILITY AND FITNESS FOR A PARTICULAR PURPOSE. BEKO UNDERTAKES NO RESPONSIBILITY FOR THE QUALITY OF THIS PRODUCT EXCEPT AS OTHERWISE PROVIDED IN THIS WARRANTY STATEMENT. BEKO ASSUMES NO RESPONSIBILITY THAT THE PRODUCT WILL BE FIT FOR ANY PARTICULAR PURPOSE FOR WHICH YOU MAY BE BUYING THIS PRODUCT, EXCEPT AS OTHERWISE PROVIDED IN THIS WARRANTY STATEMENT.

Beko does not assume any responsibility for incidental or consequential damages. Such damages include, but are not limited to, loss of profits, loss of savings or revenue, loss of use of the electric and gas ranges or any associated equipment, cost of capital, cost of any substitute equipment, facilities or services, downtime, the claims of third parties, and injury to property. Some states do not allow the exclusion or limitation of incidental or consequential damages, so the above limitations or exclusion may not apply to you.

(*) Installation date shall refer to either purchase date or 5 business days after delivery of the product to the home, whichever is later.

(**) Parts replaced will assume the identity of the original parts + their original warranty.

No Other Warranties. This Warranty Statement is the complete and exclusive warranty from the manufacturer. No employee of Beko or any other party is authorized to make any warranty statements in addition to those made in this Warranty Statement.

Please keep this warranty card, user manual and your sales slip for future reference.

HOW TO GET SERVICE

Please contact you authorized Beko dealer or visit www.beko.us to locate and get information for the closest authorized Beko service center.

