

BFFD 3622 SS

22 cu.ft (625 L) Total Gross Volume
NeoFrost™ Cooling



Fridge

- 13.28 cu-ft (376 L) net fresh food volume
- Frost Free
- Internal water dispenser
- Touch button display
- Chrome coated wine rack
- Illumination with white LED
- 3 safety glass shelves
- 4 door racks
- Energy Star® 2014 qualified
- EverFresh+®

Freezer

- 5.44 cu-ft (154 L) net freezer volume
- Auto defrost
- Automatic ice machine with tap water connection - with water dispenser inside
- 1 drawer, 1 basket

Hygiene

- Blue zone
- hygAIR ionizing technology
- Hygiene+ antibacterial carbon filter
- Antibacterial seal

Technical Information

- Dimensions (HxWxD) (cm): 177.1x90.8x75.8
- Dimensions (HxWxD) (In): 69 3/4x35 3/4x29 7/8
- *Depth is with door handles. (Without handles depth: 31 15/16")

Color

BFFD 3622 SS: Fingerprint free stainless steel

FEATURES



NeoFrost™ Technology

Certain Beko fridge freezers are equipped with advanced NeoFrost™ Technology, which provides more homogenous, energy efficient and silent cooling. There is no air transfer between the freezer and fresh food compartments. This eliminates odor mixing.



EverFresh+®

Beko refrigerators with the newly designed EverFresh+® compartment help minimize humidity loss and stabilize the temperature control via air channels. EverFresh+® provides the best conditions for your fruits and green vegetables to maintain their freshness longer, providing up to 30 days of storage time.



Hygiene+

Present in some fridges is the photo catalyst filter, which eliminates bacteria potentially present in the refrigerator by working in conjunction with the air-cooling systems of the no frost or static models. This ensures permanently high levels of hygiene, protection from bacteria buildup and reduced fridge odor. The carbon filter can be reactivated easily with just one day's exposure to sunlight.



HygAIR Technology

The exceptional HygAIR Technology, available in select Beko refrigerators, brings the freshness of the pine forests to your kitchen. The technology eliminates airborne bacteria and odor-forming molecules by producing natural negative ions inside the cabinet. The ions capture microorganisms and remove them from the refrigerator via the defrost process. As a result, your food stays fresher for longer, and you can smell nature in your fridge.



White LED Lightning

The majority of models in the Beko range feature illumination with white LED for better aesthetics inside your fridge and less energy consumption.

BFFD 3622 SS

22 cu.ft (625 L) Total Gross Volume
NeoFrost™ Cooling

CONTROLS

Type	Three Door French Door Refrigerator
Control system	Electronic Control
Cooling system	NeoFrost™ Cooling

CAPACITIES

Total net volume, cu.ft	18.7
Total net volume, L	530
Fresh food net volume, cu.ft	13.3
Fresh food net volume, L	376
Freezer net volume, cu.ft	5.4
Freezer net volume, L	154

FRIDGE FEATURES

Water dispenser	x
Electronic control display type	Touch Control
Auto defrost	x
Inner illumination	White LED
Shelves	Cantilever - Partitioned Safety Glass
EverFresh+®	Yes
Crispers	2
Door racks	6
Wine rack	-
Bottle gripper	-
Egg tray	2 x Opaque / 6 Egg Holder
Compressor	Variable Speed VCC
Fan ventilation	x

FREEZER FEATURES

Auto defrost	x
Fast freeze function	x
Number of freezer drawers	2
Number of flaps	-
Automatic ice maker	11 lbs/day
Ice cube tray	-

HYGIENE

Blue zone	x
hygAIR ionizing technology	x
Hygiene+ antibacterial carbon filter	x
Antibacterial seal	x

TECHNICAL INFORMATION

Supply voltage, V/Hz	120 V / 60 Hz
Rated current, A	2.7 A
Noise level, dBA	44

DIMENSIONS

Unpacked HxWxD, cm	177.1x90.8x75.8
Unpacked HxWxD, in	69 3/4x35 3/4x29 7/8
Packed HxWxD, cm	195x104.5x94.4
Packed HxWxD, in	76 3/4x41 1/8x37 1/8
Product weight, kg	135
Product weight, lbs	298
Packed weight, kg	145
Packed weight, lbs	320

PERFORMANCE

Energy Star® qualified	x
Climatic class	T
Annual energy consumption, kwh/year	551
Cooling gas	R134a

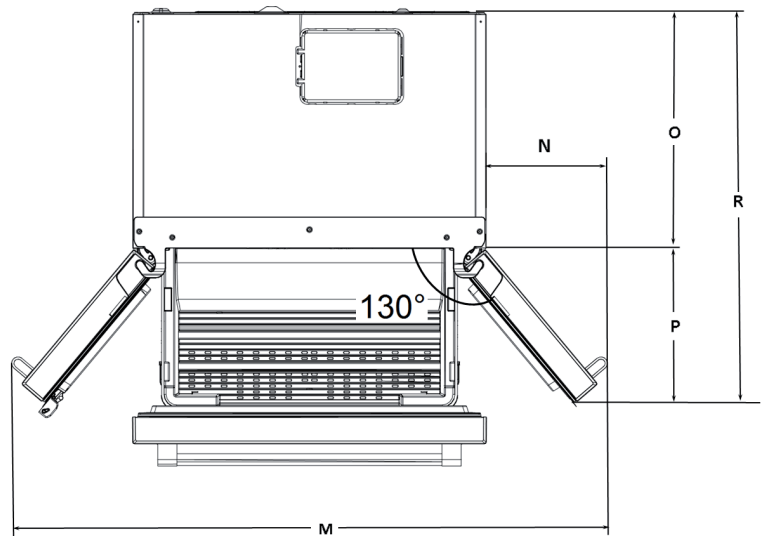
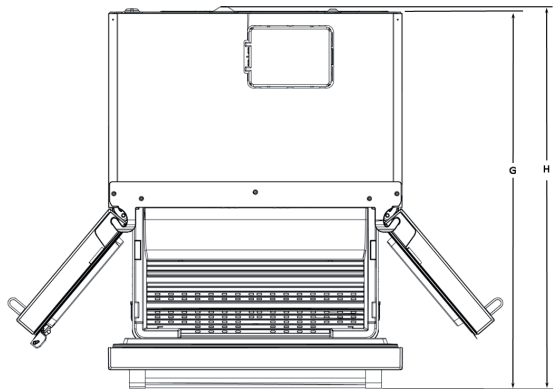
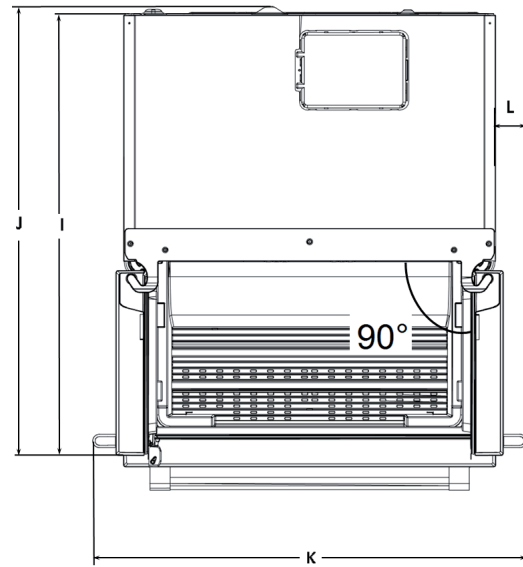
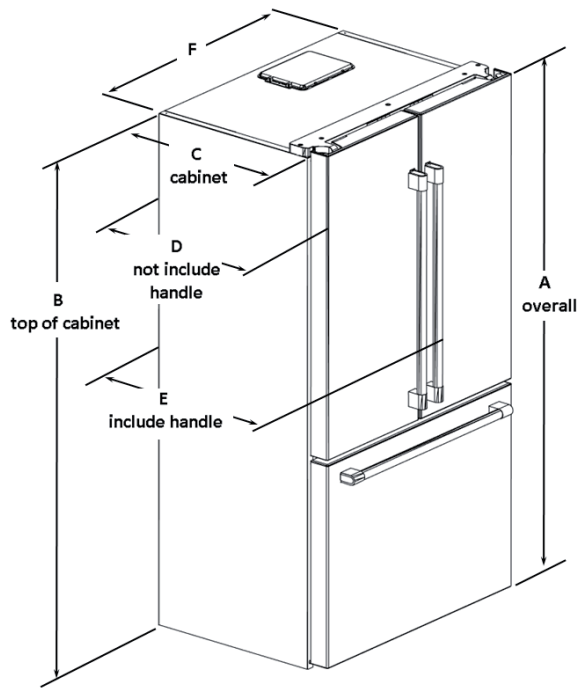
COLOR OPTIONS

WH: White	-
SL: Silver	-
SS: Finger print free stainless steel	x
FFBI: Fully integrated	-



BFFD 3622 SS

22 cu.ft (625 L) Total Gross Volume
NeoFrost™ Cooling



Height-Overall "A"	Height-TopOfCabinet "B"	Depth-CabinetOnly "C" "O"	Depth-Without Handles "D"
1771mm (69,72")	1710mm (67,32")	600mm (23,62")	680,5mm (26,79")
Depth-WithHandles "E"	Width-Cabinet "F"	Depth-DrawerOpen "G"	TotalDepth-DrawerOpen "H"
737mm (29,01")	908mm (35,74")	1157mm (45,55")	1178,5mm (46,40")
Depth-Doors Open90° "I"	TotalDepth-Doors Open90° "J"	Width-Doors Open90°WithHandles "K"	Width-Doors Open90°- FromCabinetToHandle "L"
1072,6mm (42,22")	1094mm (43,07")	1059,2mm (41,70")	75,6mm (2,97")
Width-Doors Open130°- FromHandleToHandle "M"	Width-Doors Open130°- FromCabinetToHandle "N"	Depth-Doors Open130° "P"	Depth-Doors Open130° "R"
1530.2mm (41,70")	311,2mm (12,25")	391mm (15,39")	991mm (39,01")

