

BFBF 2413 SS

12.9 cu.ft (365 L) Total Gross Volume
NeoFrost™ Cooling



Fridge

- 7.93 cu-ft (225 L) net fresh food volume
- Chrome coated wine rack
- Bottle holder
- Illumination with white LED
- 3 safety glass shelves
- 4 door racks
- 2 egg trays
- Field reversible hinge design
- Energy Star® 2014 qualified

Freezer

- 3.42 cu-ft (97 L) net freezer volume
- Auto defrost
- Ice cube tray
- Fast freeze function

Hygiene

- Antibacterial seal

Technical Information

- Dimensions (HxWxD) (cm): 184.5x59.5x67
- Dimensions (HxWxD) (In): 72 5/8x23 3/8x26 3/8
- *Depth is with door handles. (Without handles depth 24 3/4")

Color

BFBF 2413 SS: Fingerprint free stainless steel

FEATURES



NeoFrost™ Technology

Certain Beko fridge freezers are equipped with advanced NeoFrost™ Technology, which provides more homogenous, energy efficient and silent cooling. There is no air transfer between the freezer and fresh food compartments. This eliminates odor mixing.



Hygiene+

Present in some fridges is the photo catalyst filter, which eliminates bacteria potentially present in the refrigerator by working in conjunction with the air-cooling systems of the no frost or static models. This ensures permanently high levels of hygiene, protection from bacteria buildup and reduced fridge odor. The carbon filter can be reactivated easily with just one day's exposure to sunlight.



Fingerprint Free

Specially applied in-house coating on stainless steel prevents finger prints and allows easy surface cleaning of your appliance, preserving long lasting high quality look of the unit.



White LED Lightning

The majority of models in the Beko range feature illumination with white LED for better aesthetics inside your fridge and less energy consumption.



BFBF 2413 SS

12.9 cu.ft (365 L) Total Gross Volume
NeoFrost™ Cooling

CONTROLS

Type	Frost Free Bottom Freezer Refrigerator
Control system	Electronic Control
Cooling system	Frost Free

CAPACITIES

Total net volume, cu.ft	11.4
Total net volume, L	321
Fresh food net volume, cu.ft	7.9
Fresh food net volume, L	225
Freezer net volume, cu.ft	3.4
Freezer net volume, L	97

FRIDGE FEATURES

Water dispenser	-
Electronic control display type	7 Segment
Auto defrost	x
Inner illumination	White LED
Shelves	3 Safety Glass
EverFresh+®	-
Crispers	1
Door racks	4
Wine rack	x
Bottle gripper	x
Egg tray	2xOpaque / 6 Egg Holder
Compressor	Variable Speed VCC
Fan ventilation	-

FREEZER FEATURES

Auto defrost	x
Fast freeze function	-
Number of freezer drawers	3
Number of flaps	-
Automatic ice maker	-
Ice cube tray	x

HYGIENE

Blue zone	-
hygAIR ionizing technology	-
Hygiene+ antibacterial carbon filter	-
Antibacterial seal	x

TECHNICAL INFORMATION

Supply voltage, V/Hz	120 V / 60 Hz
Rated current, A	1.9 A
Noise level, dBA	43

DIMENSIONS

Unpacked HxWxD, cm	184.5x59.5x67
Unpacked HxWxD, in	72 5/8 x 23 3/8 x 26 3/8
Packed HxWxD, cm	192.9x66.4x73.9
Packed HxWxD, in	76x26 1/8x29 1/8
Product weight, kg	83
Product weight, lbs	182
Packed weight, kg	89
Packed weight, lbs	196

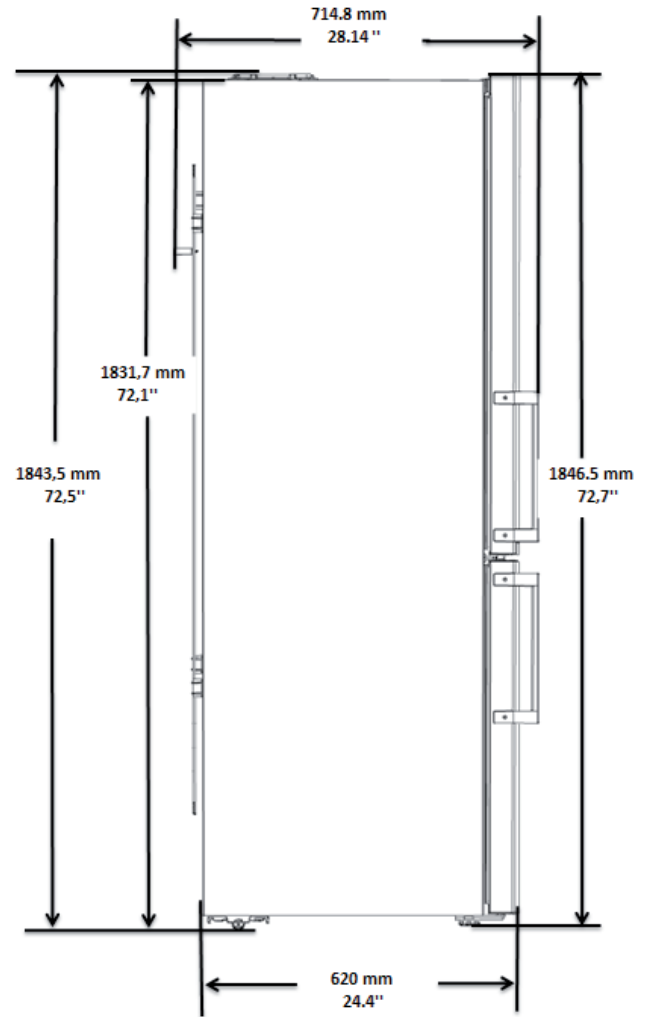
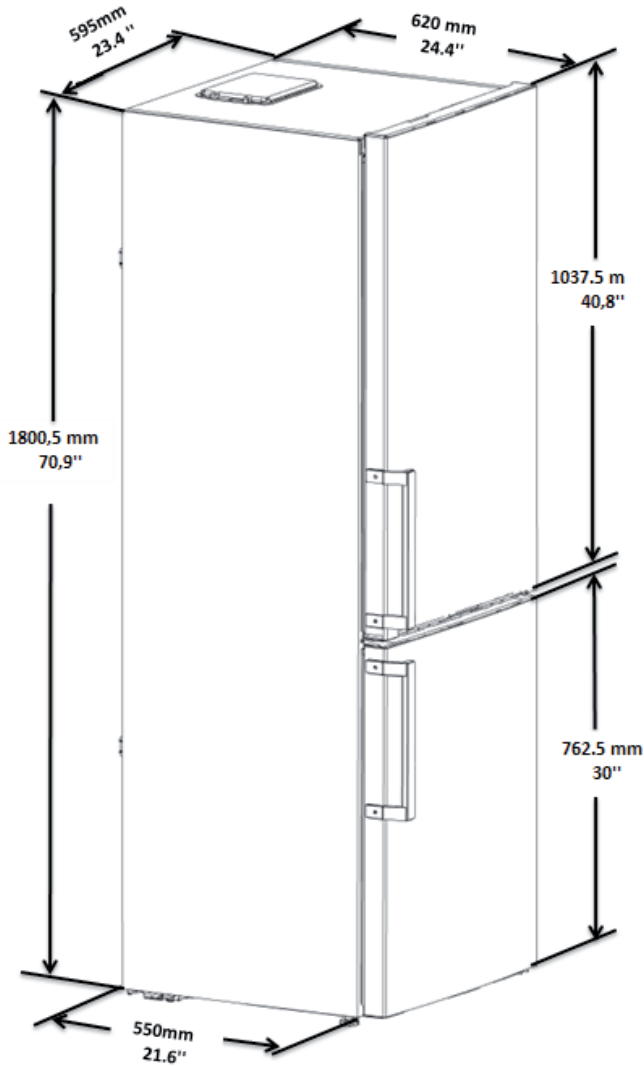
PERFORMANCE

Energy Star® qualified	x
Climatic class	T
Annual energy consumption, kwh/year	395
Cooling gas	R600a

COLOR OPTIONS

WH: White	-
SL: Silver	-
SS: Finger print free stainless steel	x
FFBI: Fully integrated	-

The Beko logo is displayed in a bold, blue, sans-serif font. Below the text, there is a thick blue horizontal line that tapers to the right, creating a dynamic, modern look.



- Unpacked Height (cm- inch): 1843,5 mm - 72,5"
- Unpacked Width (cm- inch): 607,5 mm - 23,91"
- Unpacked Depth (cm- inch): 714,8 mm - 28,14"

