

# BFTF 2715 SSIM

14.8 cu.ft (420 L) Total Gross Volume  
NeoFrost™ Cooling



## Fridge

- 14.8 cuft (420 L) net fresh food volume
- Chrome coated wine rack
- Bottle holder
- Illumination with white LED
- 3 safety glass shelves
- 4 door racks
- 2 egg trays
- Field reversible hinge design
- Energy Star® 2014 qualified

## Freezer

- 2.89 cu-ft (82 L) net freezer volume
- Auto defrost
- Automatic ice maker
- Fast freeze function

## Hygiene

- Antibacterial seal

## Technical Information

- Dimensions (HxWxD) (cm): 172x70x64
- Dimensions (HxWxD) (In): 67 1/2 x 27 1/2 x 25 1/4
- \*Depth is with door handles. (Without handles depth 31 15/16")

## Color

BFTF 2715 SSIM: Fingerprint free stainless steel

## FEATURES



### NeoFrost™ Technology

Certain Beko fridge freezers are equipped with advanced NeoFrost™ Technology, which provides more homogenous, energy efficient and silent cooling. There is no air transfer between the freezer and fresh food compartments. This eliminates odor mixing.



### Hygiene+

Present in some fridges is the photo catalyst filter, which eliminates bacteria potentially present in the refrigerator by working in conjunction with the air-cooling systems of the no frost or static models. This ensures permanently high levels of hygiene, protection from bacteria buildup and reduced fridge odor. The carbon filter can be reactivated easily with just one day's exposure to sunlight.



### White LED Lightning

The majority of models in the Beko range feature illumination with white LED for better aesthetics inside your fridge and less energy consumption.



### HygAIR Technology

The exceptional HygAIR Technology, available in select Beko refrigerators, brings the freshness of the pine forests to your kitchen. The technology eliminates airborne bacteria and odor-forming molecules by producing natural negative ions inside the cabinet. The ions capture microorganisms and remove them from the refrigerator via the defrost process. As a result, your food stays fresher for longer, and you can smell nature in your fridge.



# BFTF 2715 SSIM

14.8 cu.ft (420 L) Total Gross Volume  
NeoFrost™ Cooling

## CONTROLS

Type	Frost Free Bottom Freezer Refrigerator
Control system	Electronic Control
Cooling system	Frost Free

## CAPACITIES

Total net volume, cu.ft	12.6
Total net volume, L	356
Fresh food net volume, cu.ft	14.8
Fresh food net volume, L	420
Freezer net volume, cu.ft	2.9
Freezer net volume, L	82

## FRIDGE FEATURES

Water dispenser	-
Electronic control display type	7 Segment
Auto defrost	x
Inner illumination	White LED
Shelves	3 Safety Glass
EverFresh+®	-
Crispers	1
Door racks	4
Wine rack	x
Bottle gripper	-
Egg tray	2xOpaque / 6 Egg Holder
Compressor	Variable Speed VCC
Fan ventilation	-

## FREEZER FEATURES

Auto defrost	x
Fast freeze function	-
Number of freezer drawers	3
Number of flaps	-
Automatic ice maker	3.1 lbs/day
Ice cube tray	x

## HYGIENE

Blue zone	-
hygAIR ionizing technology	-
Hygiene+ antibacterial carbon filter	-
Antibacterial seal	x

## TECHNICAL INFORMATION

Supply voltage, V/Hz	120 V / 60 Hz
Rated current, A	2.4 A
Noise level, dBA	47

## DIMENSIONS

Unpacked HxWxD, cm	172x70x64
Unpacked HxWxD, in	67 1/2 x 27 1/2 x 25 1/4
Packed HxWxD, cm	178.8x74.5x70.6
Packed HxWxD, in	70 3/8x29 3/8x27 3/4
Product weight, kg	81
Product weight, lbs	179
Packed weight, kg	84
Packed weight, lbs	185

## PERFORMANCE

Energy Star® qualified	x
Climatic class	T
Annual energy consumption, kwh/year	400
Cooling gas	R600a

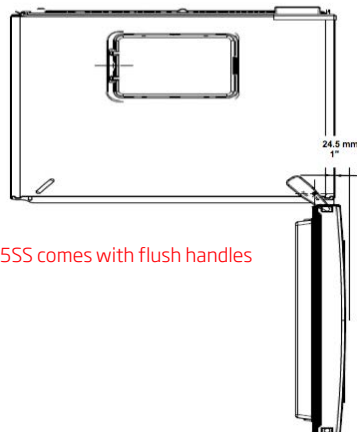
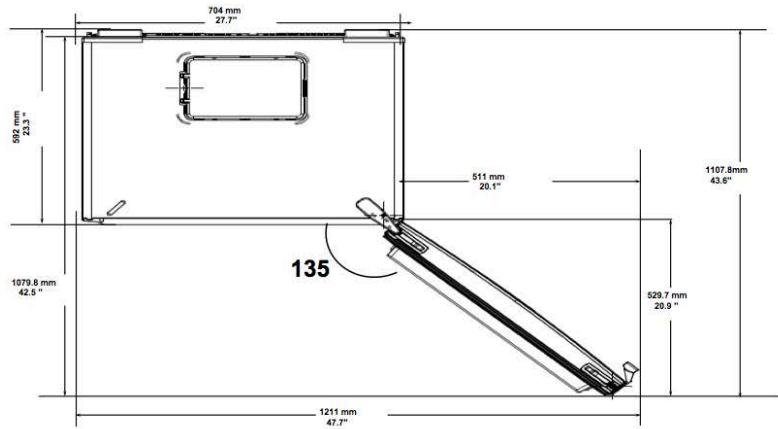
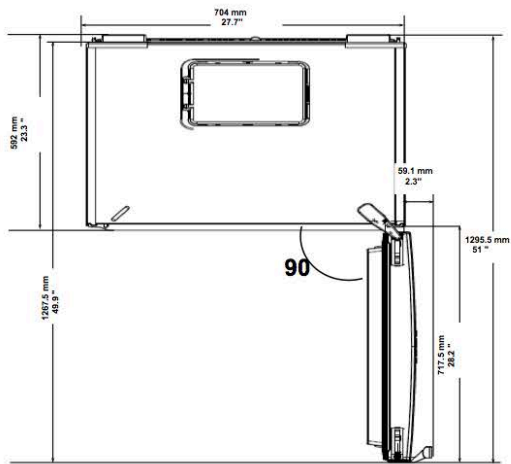
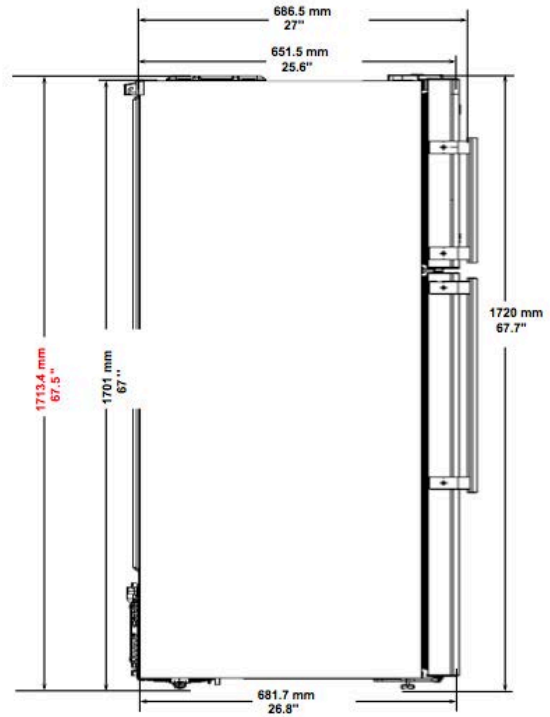
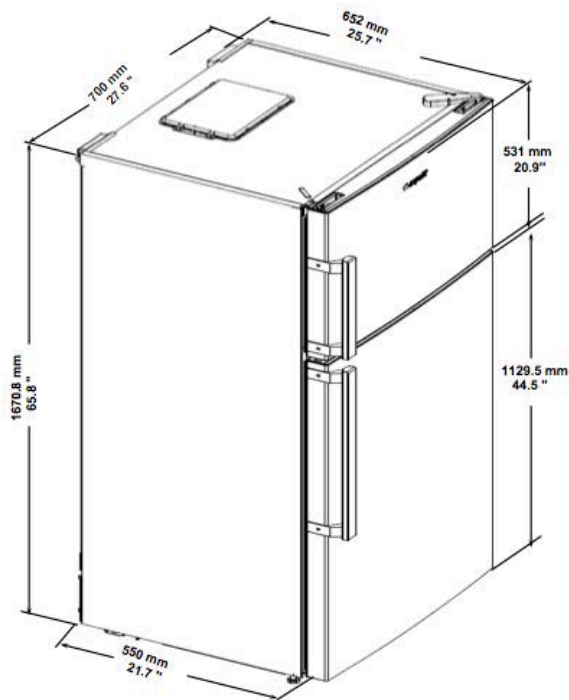
## COLOR OPTIONS

WH: White	-
SL: Silver	-
SS: Finger print free stainless steel	x
FFBI: Fully integrated	-



# BFTF 2715 SSIM

14.8 cu.ft (420 L) Total Gross Volume  
NeoFrost™ Cooling



BFTF2715SS comes with flush handles

**WARNING:** When installing the appliance next to a wall, a distance on the hinge side of 1 inches (24.5 mm) minimum is required between the appliance and the wall to allow for the door projection when the door is open.

The dimension vary in a range of specified value -40 to +0 depending on the handle type of the appliance

