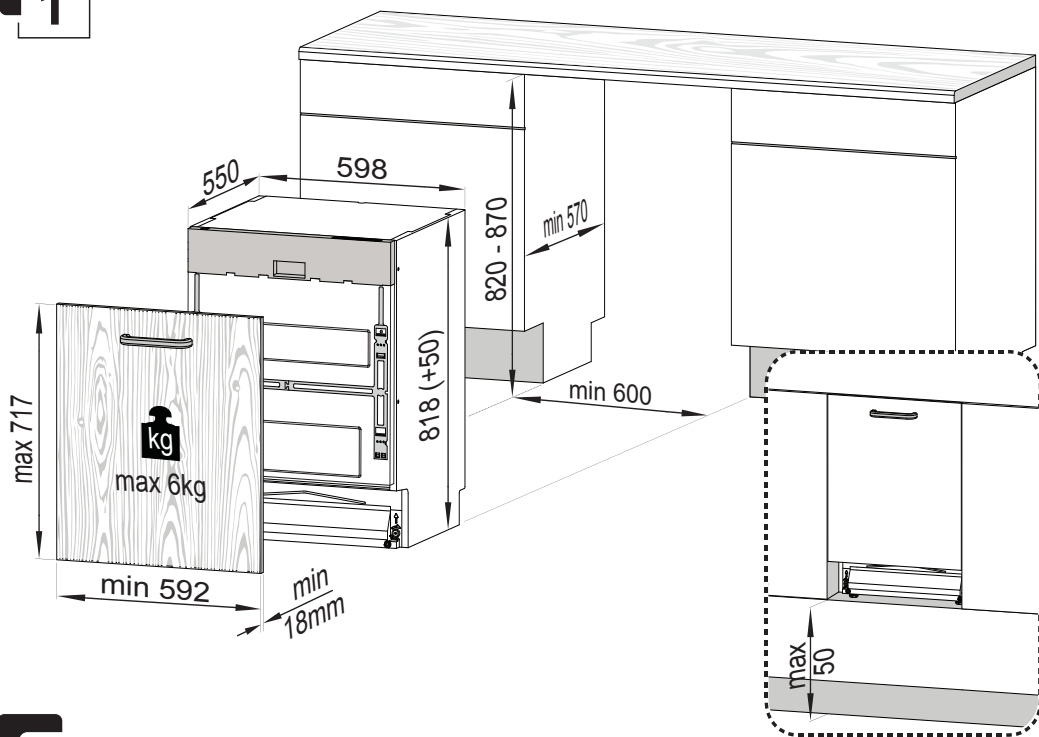
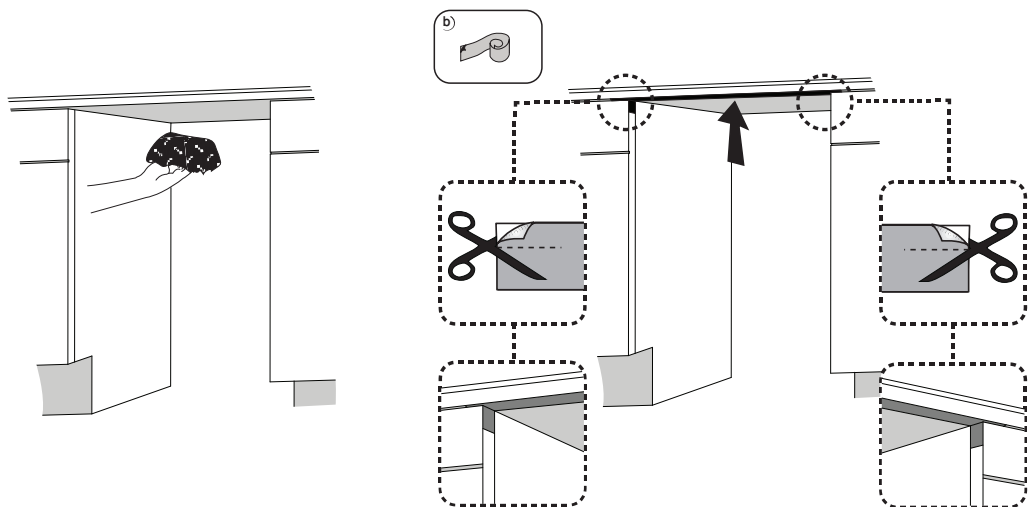


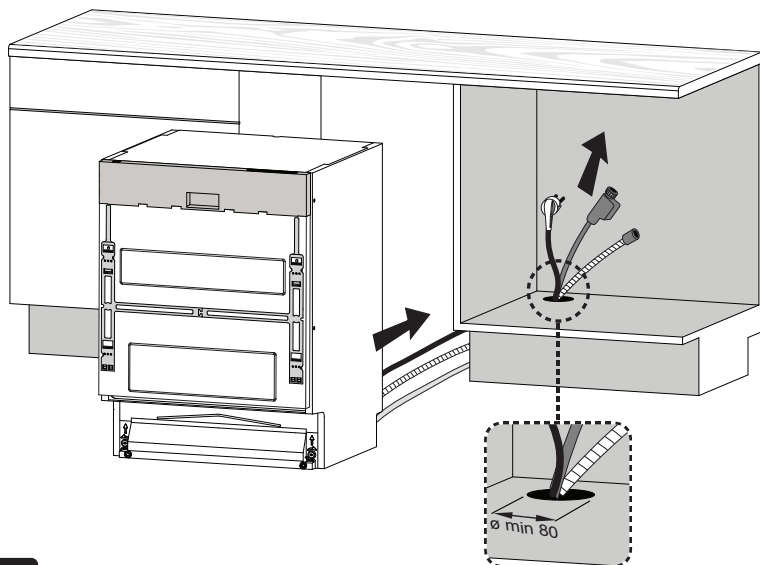
1



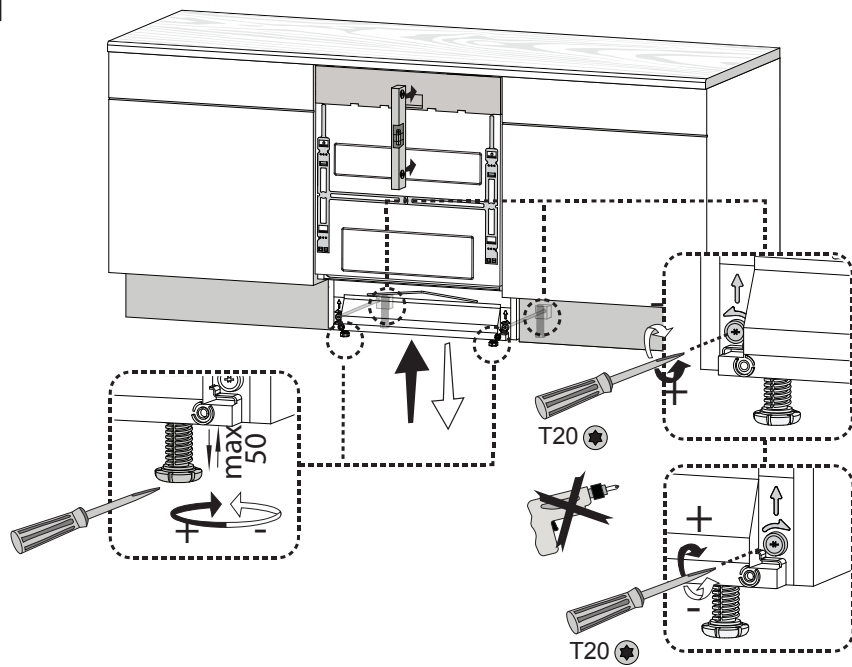
2



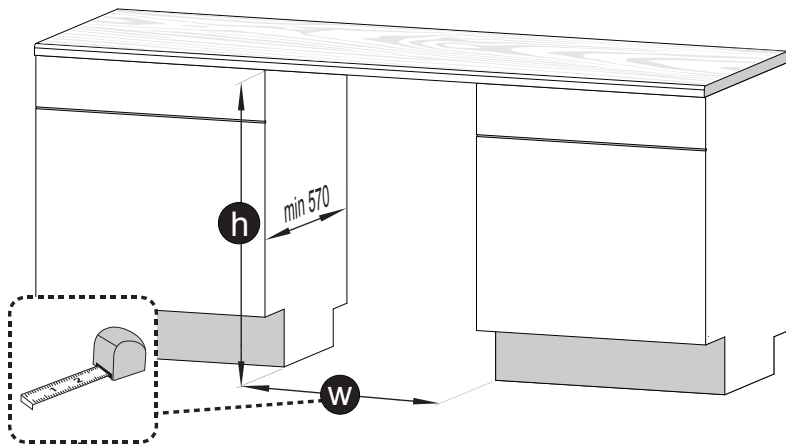
3



4



5



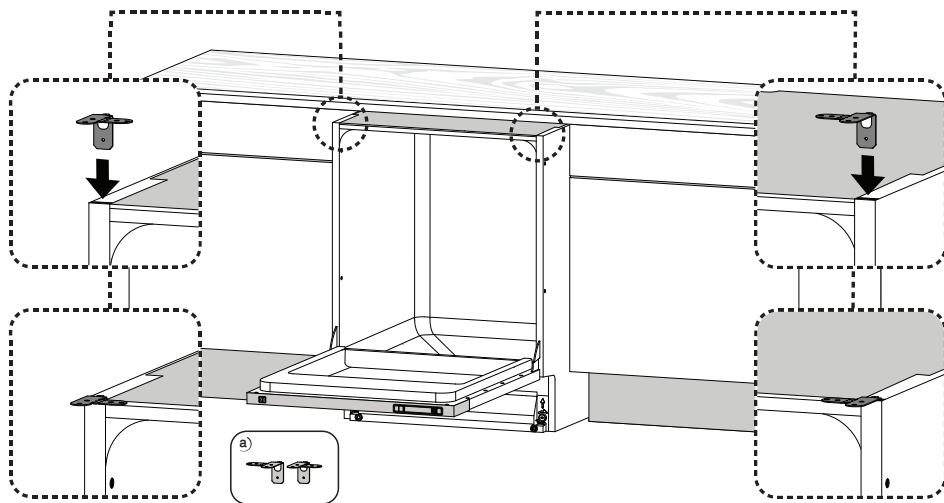
$w > 610$

6

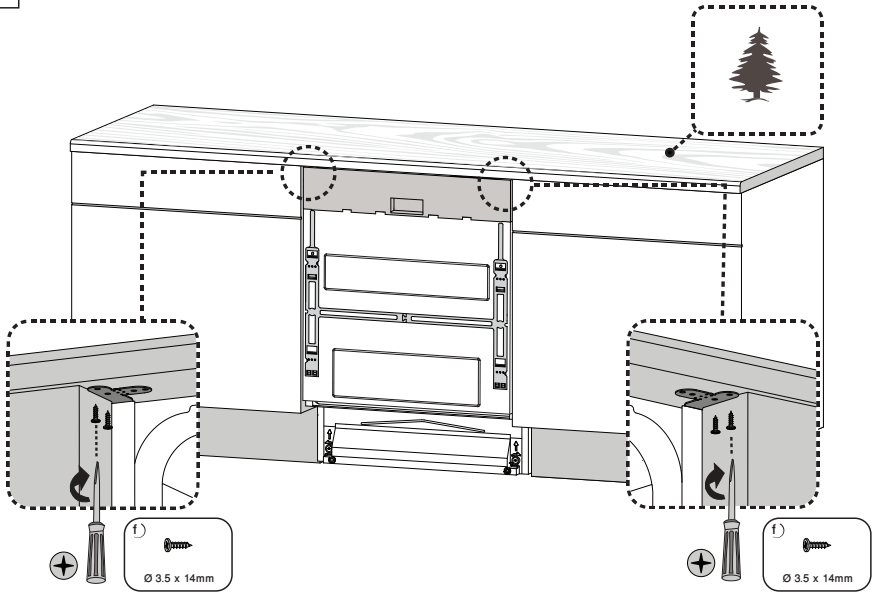
$w = 600 - 610$

8

6

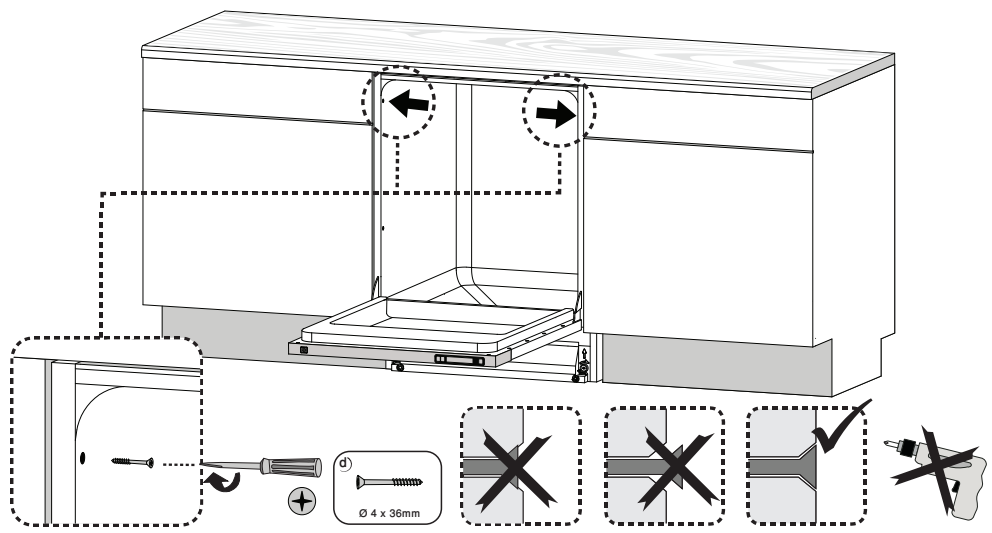


7

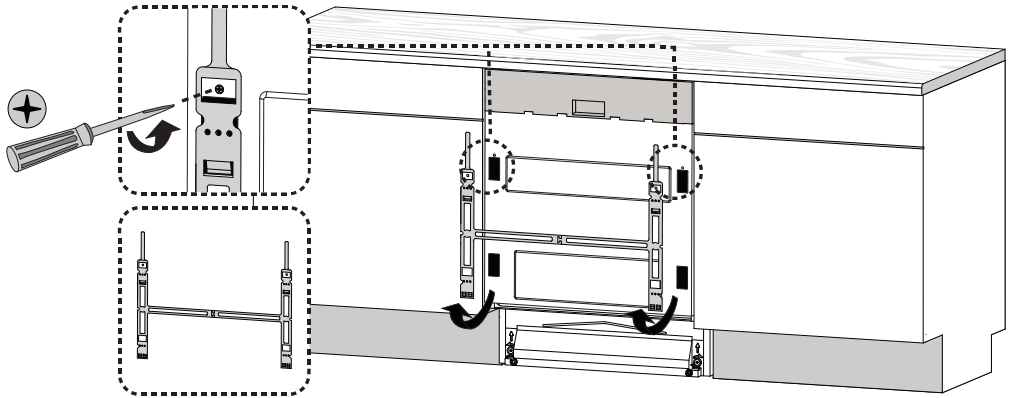


9

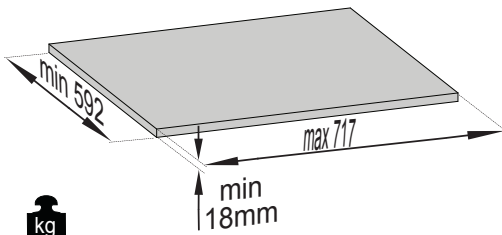
8



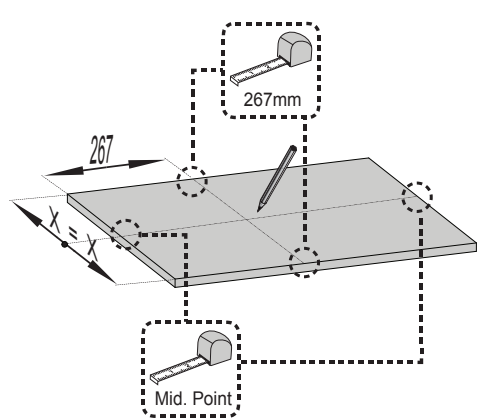
9



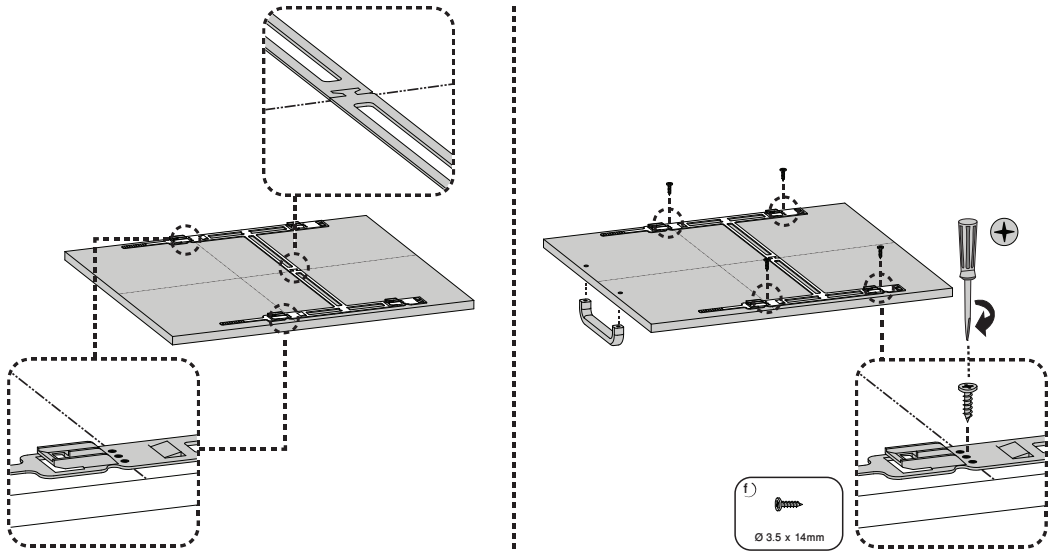
10



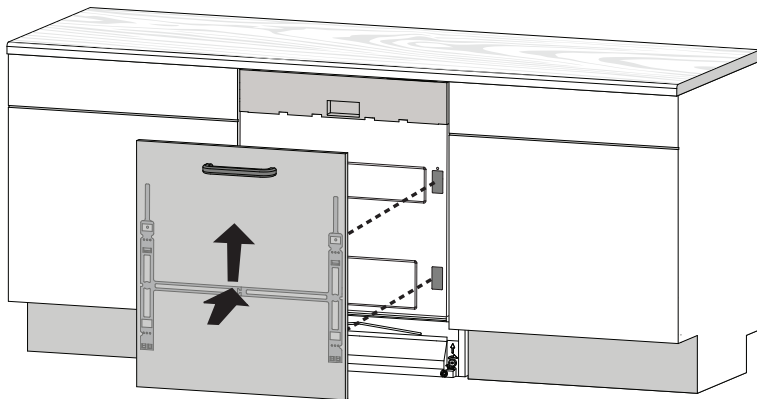
kg
Max 6kg



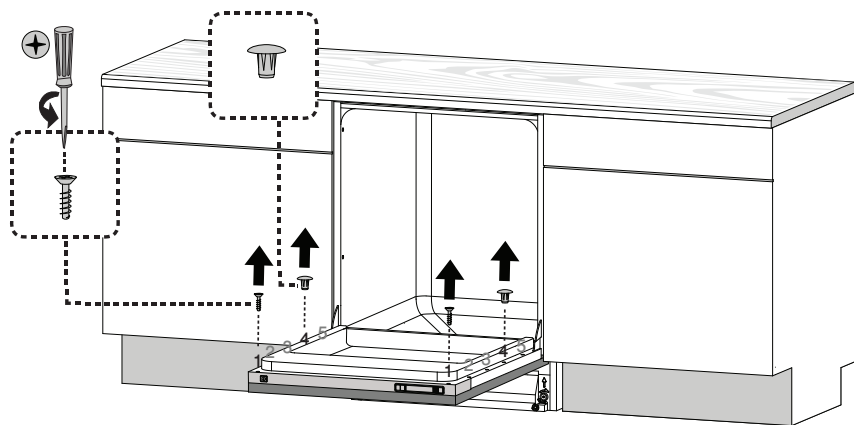
11



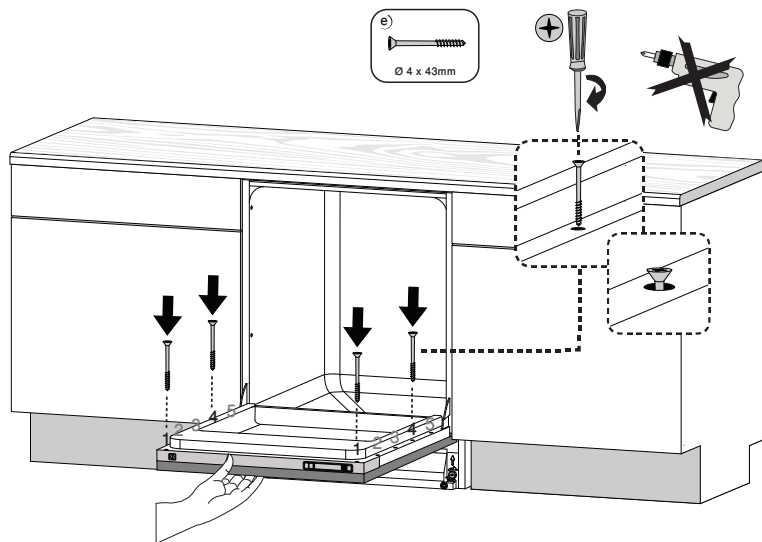
12



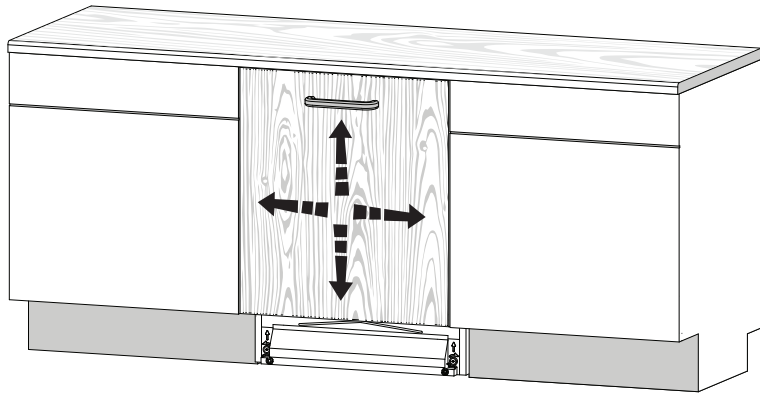
13



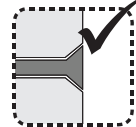
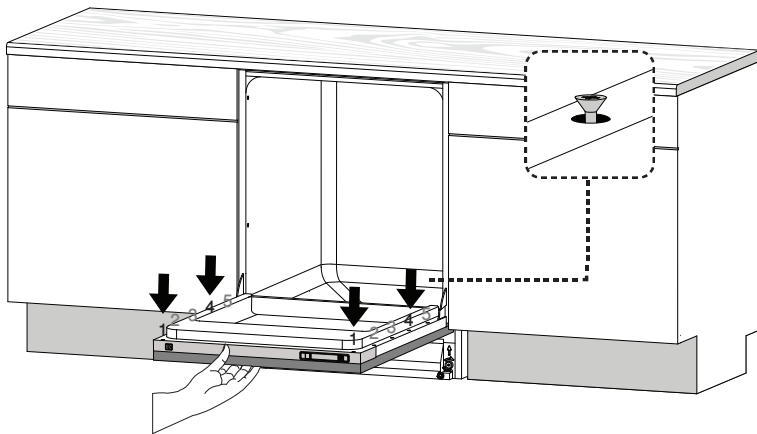
14

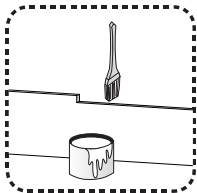
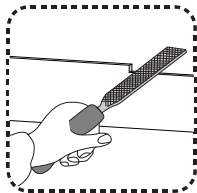
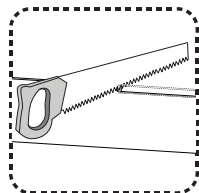
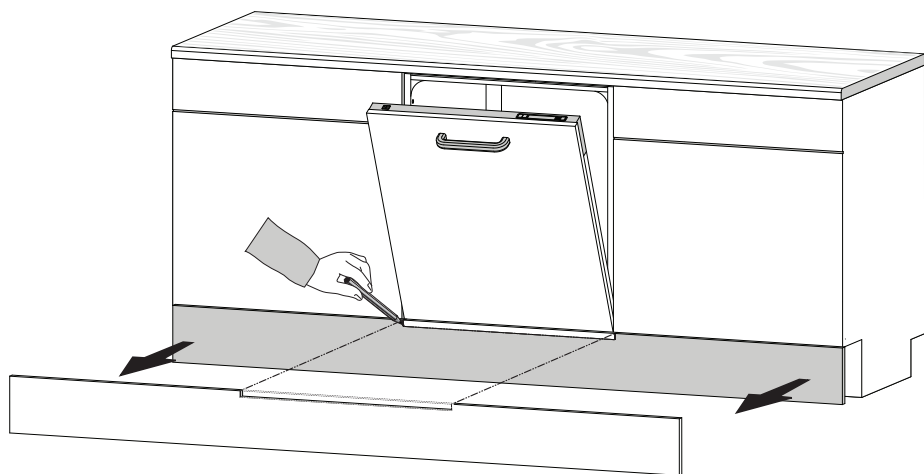


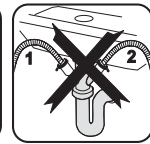
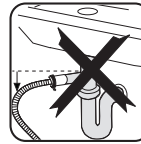
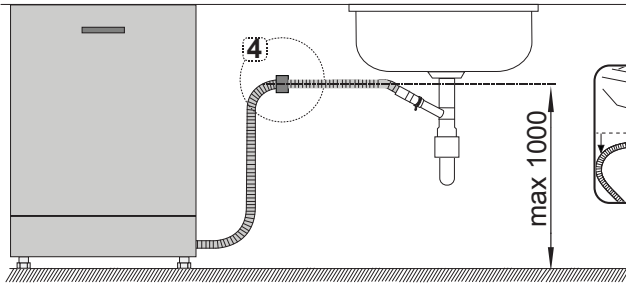
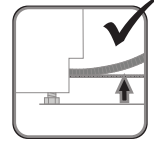
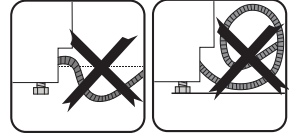
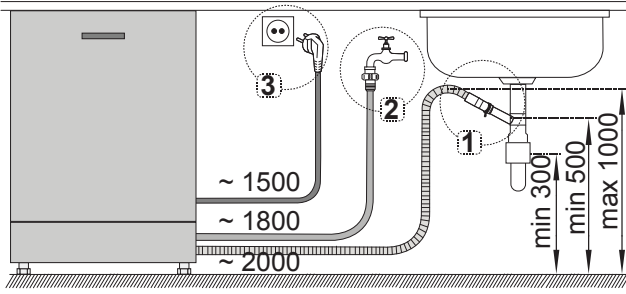
15



16







1

2

3/4"

3/4"

1/2"

3/4"

DK S FN N

4

2

1

1

2



